

Double Door Trigger Infrared Sensor Switch Sensor Switch

Name: _____

Company: _____

Phone: _____

Email: _____



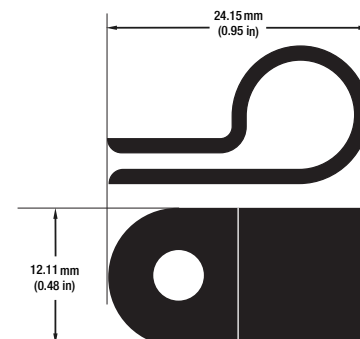
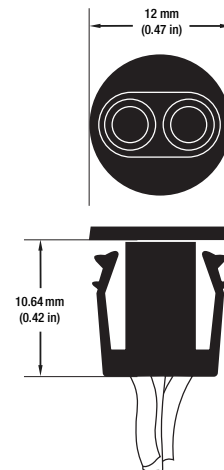
The sensor is a contactless electronic switch with IR sensor technology that can be easily mounted on doors, windows, garage gates, and other similar applications. The light switches ON when the door opens and switches OFF when closed.

Package Content:

- Two IR sensor switches with AWG24 wire
- Two holders with screws for surface mounting the sensors

SPECIFICATIONS

| | |
|-------------------------------|------------------------|
| Model No | VBD-DOOR-DBL-60 |
| Operating Voltage | 12-24V DC |
| Power Load | 60W Max. |
| Usage | Single Color |
| Body Color | Black |
| Material | PVC (Plastic) |
| Sensor Distance | 6-10cm |
| Operating Temperatures | -5°C~40°C |
| IP Rating | IP20 (Indoor use only) |



SKU: 666561425272