

## INSTALLATION GUIDE

Model: AD-35-S12W-5CCTWH-REY

### ⚠ WARNING

Turn the power off from electrical panel before installation or maintenance.

- DO NOT MODIFY THIS FIXTURE. ANY MODIFICATIONS MAY RENDER THE PRODUCT UNSAFE AND VOID WARRANTY.
- THIS PRODUCT IS SUITABLE FOR WET LOCATIONS.

### FIXTURE INSTALLATION

- STEP 1. Measure distance from walls and mark position of fixture to be installed on the ceiling.
- STEP 2. Carefully scribe hole template in accordance to cut hole size on desired location.
- STEP 3. Carefully cut hole in ceiling. (Fig. 1)
- STEP 4. Electrical connections.
- STEP 5. Selected color temperature.
- STEP 6. Connect hardwire box to engine by connecting the quick male and female connector. (Fig. 2)
- STEP 7. Pass the hardwire box and attached box cable through the hole and place on straight surface inside the ceiling cavity. (Fig. 3)
- STEP 8. Push the spring clip up towards the LED engine. (Fig. 4)
- STEP 9. Push the fixture through the hole until the trim is flush with the ceiling. Spring clip will retract to hold trim in place.

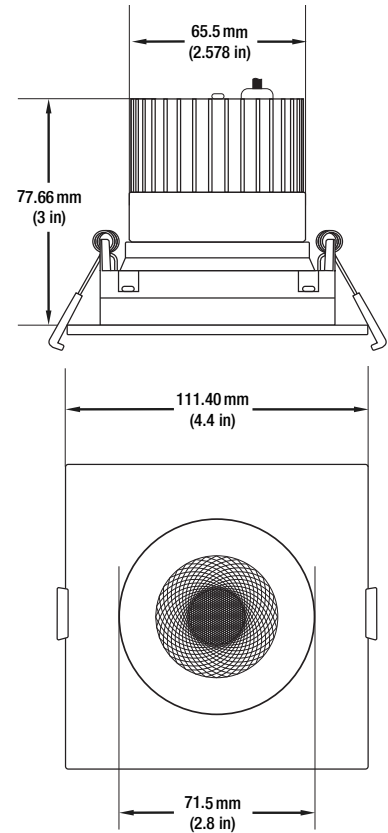


Fig. 1

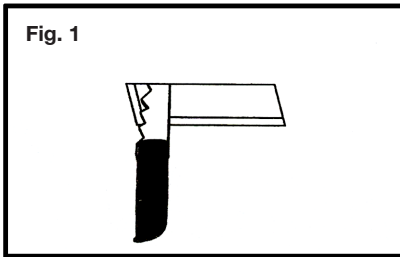


Fig. 2

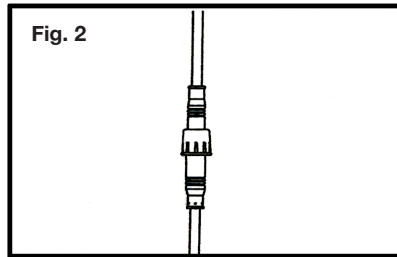


Fig. 3

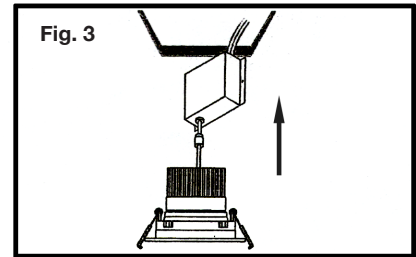


Fig. 4

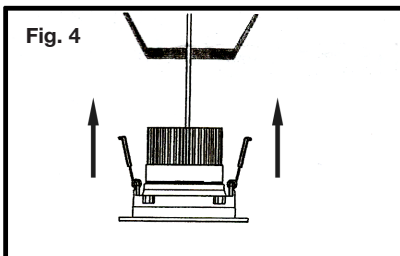
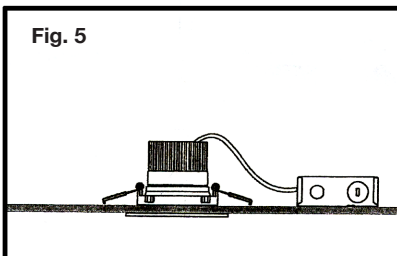


Fig. 5



⊕ Cutout  
3.75 (95 mm)