

4" Round Floating Gimbal



Veroboard 4-inch floating Gimbal is the new innovative lighting option with its unique multi-directional, adjustable position feature. It is an IC-rated LED light fixture with selectable color options from 5 different color temperatures ranging from 2700K, 3000K, 3500K to 4000K, and 5000K. It is suitable for indoor applications and renders high-quality colors of any object when illuminated due to its rendering index CRI90+. Furthermore, it is UV-free and IR-free lighting.

SPECIFICATIONS

Engine Model No.	LED-4-S9W-5CCTWH-EFG
Voltage	120V AC
Frequency	50/60Hz
Power Factor (PF)	0.9
Wattage	9W
Equivalent Wattage	50W
Color Temperature	5CCT Selectable Color Temperature (2700K-3000K-3500K-4000K-5000K)
Angle Rotation	360°
Gimbal Tilt Angle	90°
Beam Angle	40°
Dimmable	Yes
Dimming	100 – 10%
Dimmers	LED/CEL Dimmers
Brightness	700 Lumens
Rendering Index	CRI>90
LED Driver	IC Rated
LED Type	Integrated COB LED
Fixture Color	White
Fixture Material	Die-Cast Aluminum
Rated Life	50,000 Hours
Installation	Recessed/Flush Mount
IP Rating	IP20 (Damp Locations)
Cut Size	108 mm (4.25 in)
Outer Dimensions	Ø125.24 mm (Ø4.93 in) x 38mm (1.5 in) Depth
LED Driver Dimensions	90 x 78 x 36 mm (3.5 x 3.08 x 1.4 in)
Package Content	Light Fixture with IC LED Driver
Package Dimensions	14 x 14 x 8.2 cm (5.5 x 5.5 x 3.25 in)
Package Weight	0.560 Kg
Certification	FCC/ETL/Energy Star/RoHS

Job Name: _____

Distributor: _____

Type: _____

9W = 50W
50 Watts Equivalent
9 Actual Watts Used



90° TILT



360° Rotation



Selectable
Color Temperature
Switch

LED Driver Dimensions:
Length: 90 mm (3.5 in)
Width: 78 mm (3.08 in)
Depth: 36 mm (1.4 in)



Safety and Warning

The fixture must be wired in accordance with local electrical codes. All the installation must be done by a certified electrician. Please be certain the main power switch is OFF before the installation or attempting any maintenance.

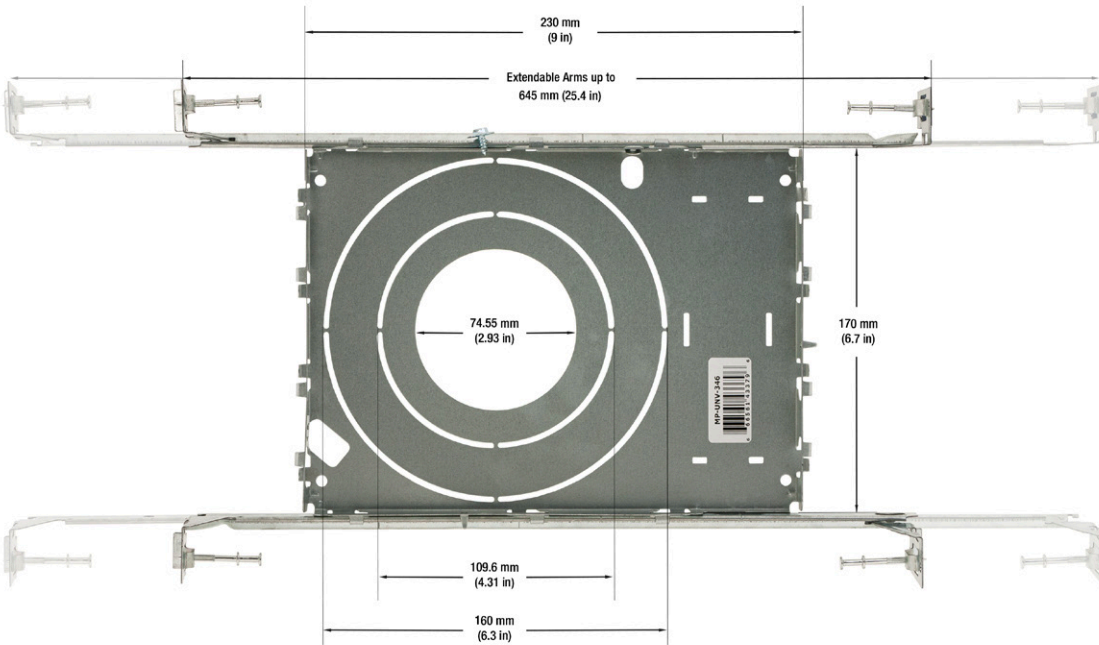
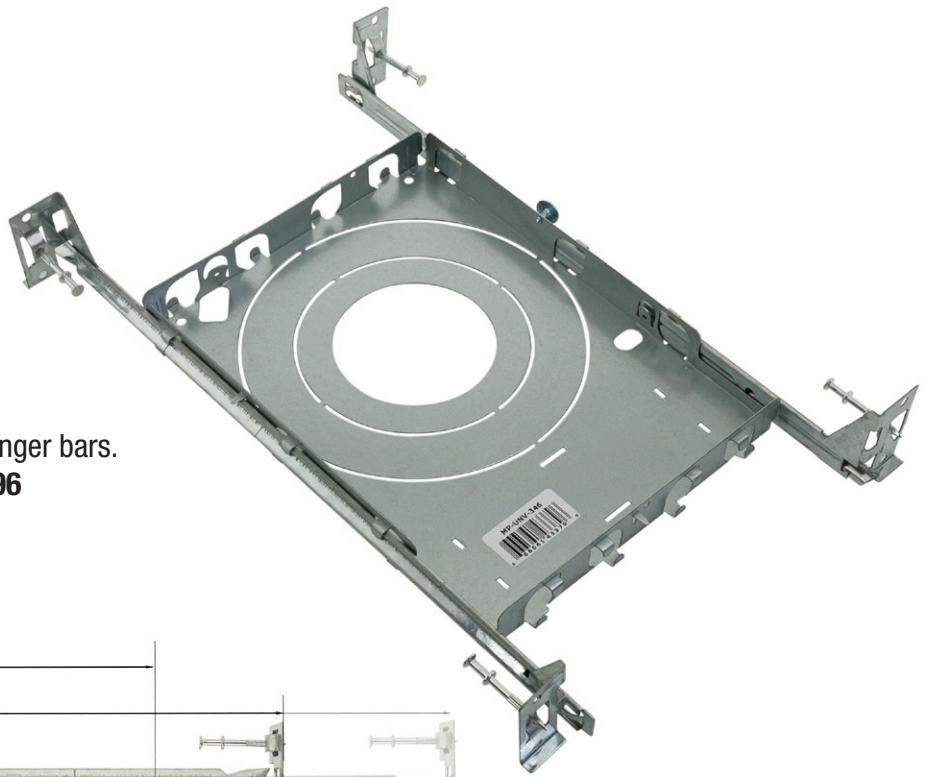


SKU: 666561425159

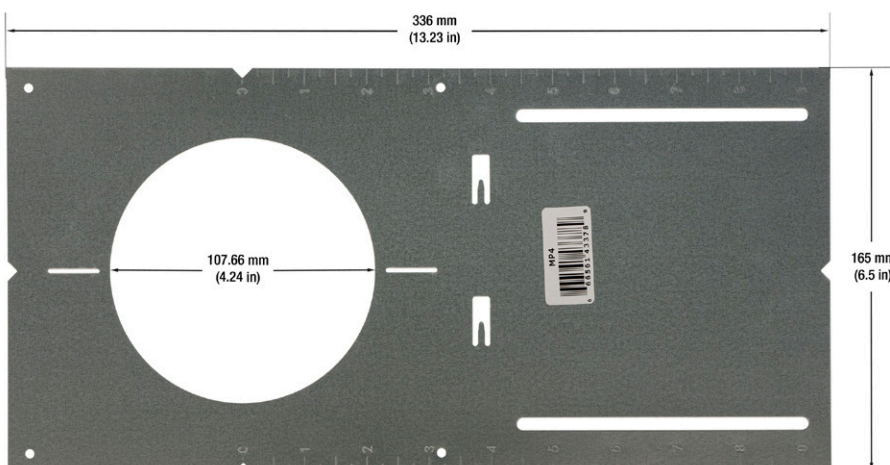
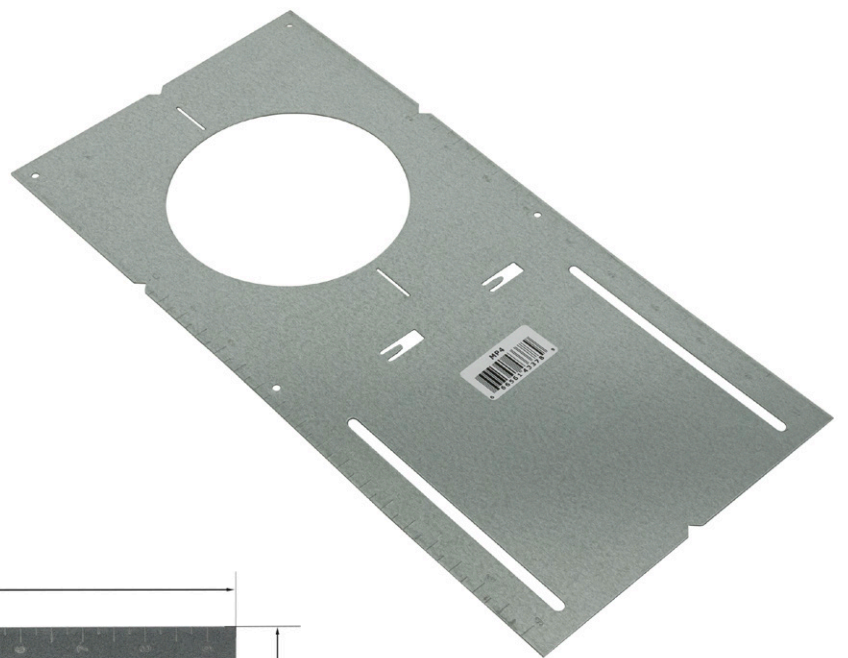
New Construction Mounting Plates

(Sold separately)

New Construction Universal Mounting Plate
suitable for 3, 4, and 6-inch fixtures, with two hanger bars.
Model: **VBD-MP-UNV-346** | SKU: **666561433796**



New Construction Mounting Plate
suitable for 4-inch fixture without lip
Model: **VBD-MP4** | SKU: **666561433789**



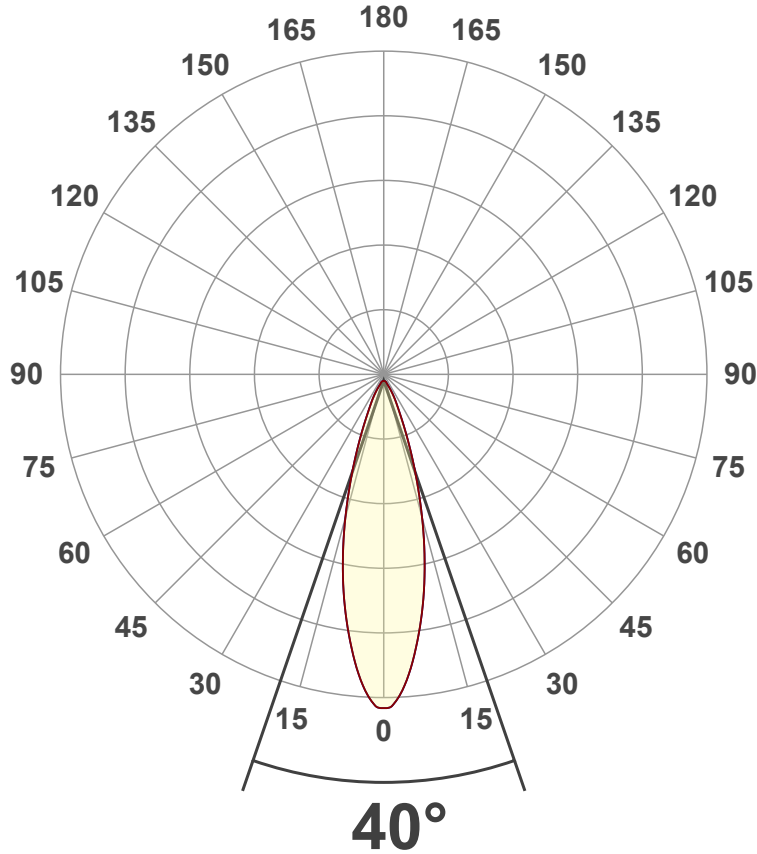
Light Measurement Report

Print date: 2023-01-06

Measurement date and time: 2023-01-06 11:41:29 AM – Measurement no. VFR-230106-0050-MS

Luminous Intensity diagram

Unit: 0-100% of peak intensity



Main Values

Output (total Lumen)	700 lm
Lumen Up% / Down%	0% / 100%
Peak Intensity	2043 cd
Beam Angle (50%)	40°
Beam Angle (90%)	28.9°
Beam Angle (10%)	28.9°

Cut-off Angle

Average 2,5%	81.8°
--------------	-------

Field Angle

Average 10%	55.3°
-------------	-------

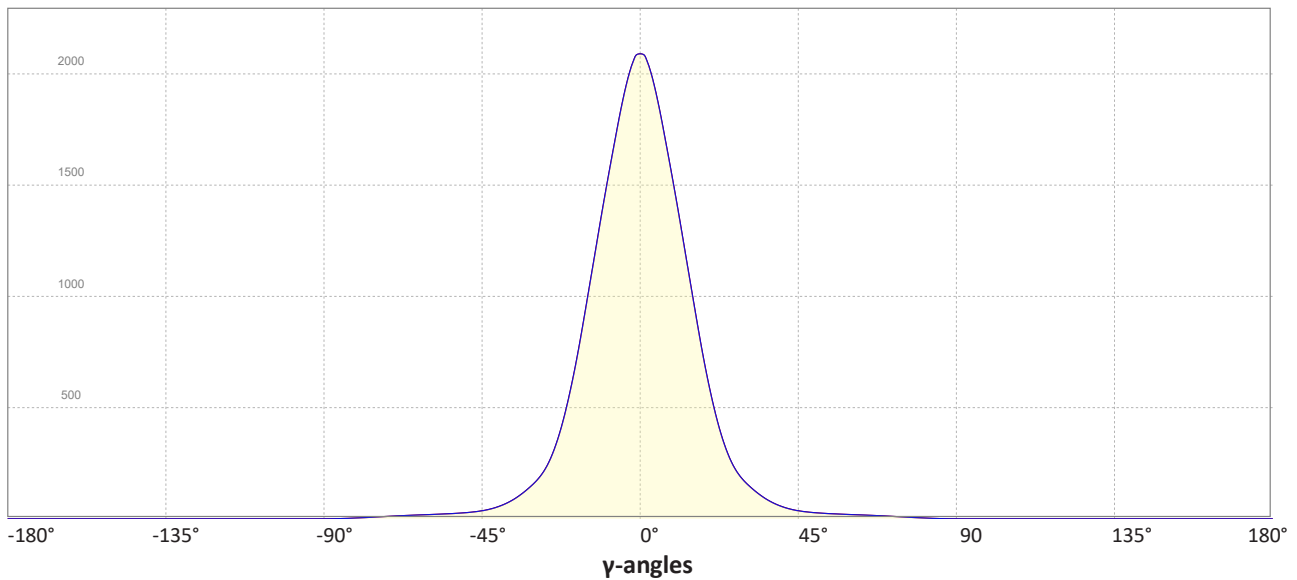
Intensity Ratio

In 120° cone	96.2%
In 90° cone	91.6%

C000-C180

C090-C270

Linear distribution diagram - Intensity (candela) vs γ -angle



Light Measurement Report

Print date: 2023-01-06

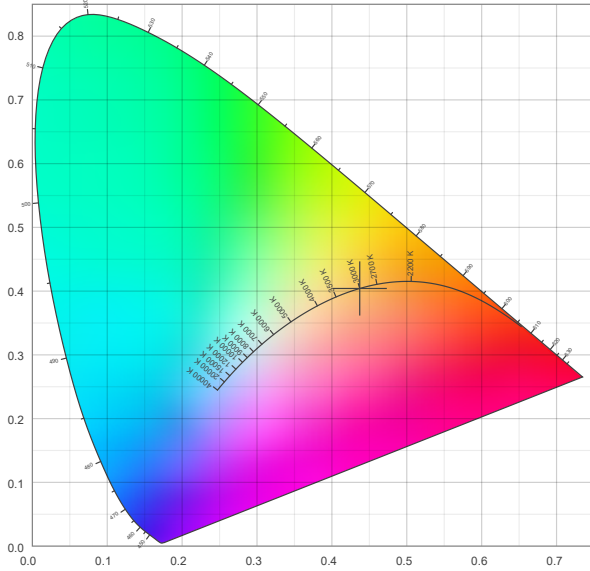
Measurement date and time: 2023-01-06 11:41:29 AM – Measurement no. VFR-230106-0050-MS

Color details

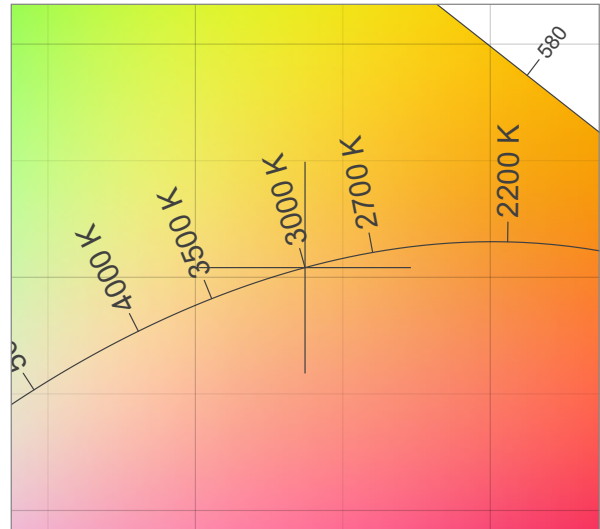
Correlated Color Temperature, Target CCT = 3000 K
 Correlated Color Temperature, Measured CCT = 2890 K
 Color Rendering Index CRI 92.9
 Color Rendering Index, R9 (red component) R9 = 57.0
 Color Rendering TM30-18 R_f 89.1 – R_g 94.3
 Color Quality Scale CQS = 90.1

MacAdam Steps SDCM = 5.3
 Color coordinates CIE 1931 (x;y) = (0.437;0.404)
 Color coordinate CIEs 1960 (u';v') = (0.251;0.348)
 Color deviation from BBL Duv = 0.0025
 Color coordinate CIEs 1976 (CIELUV) (u'';v'') = (0.251;0.251)

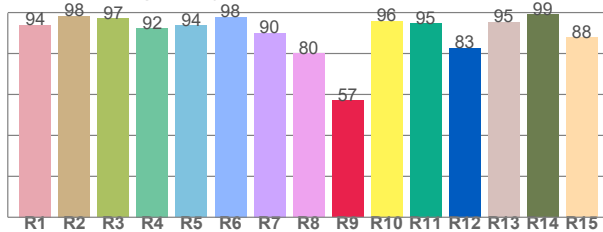
CIE 1931



CIE 1931 – zoomed on Planckian locus



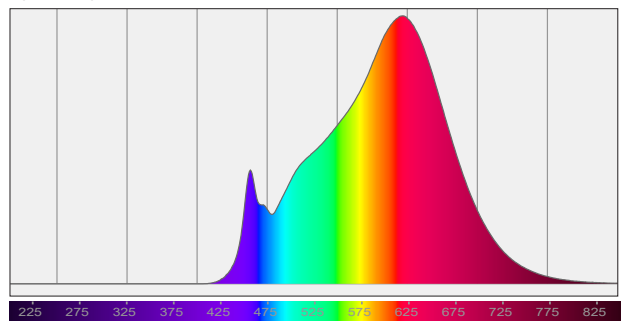
Color Rendering Index per reference color (CIE 1995)



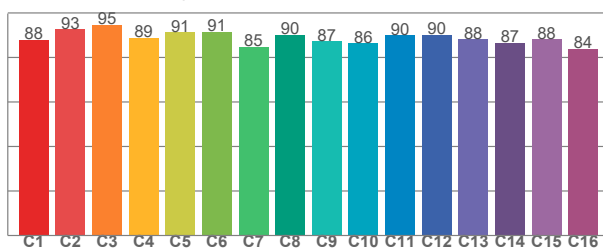
CRI R values, only R1-R8 are used to calculate final CRI value

R1	R2	R3	R4	R5	R6	R7	R8	R9	R10	R11	R12	R13	R14	R15
94.0	98.4	97.2	92.3	93.7	97.8	90.0	80.0	57.0	95.9	94.8	82.6	95.5	99.0	87.9

Spectral power distribution (SPD) / W/nm – 0-100%



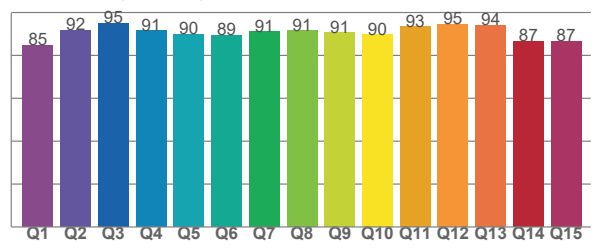
TM30-18 Rf-values per hue bin



TM30 C values, 16 binned values out of total of 99 C values

C1	C2	C3	C4	C5	C6	C7	C8	C9	C10	C11	C12	C13	C14	C15	C16
88.0	92.7	94.6	88.9	91.4	91.4	84.7	90.2	87.3	86.4	90.1	90.3	88.2	86.5	88.1	83.9

Color Quality Scale by reference color



CQS Q values

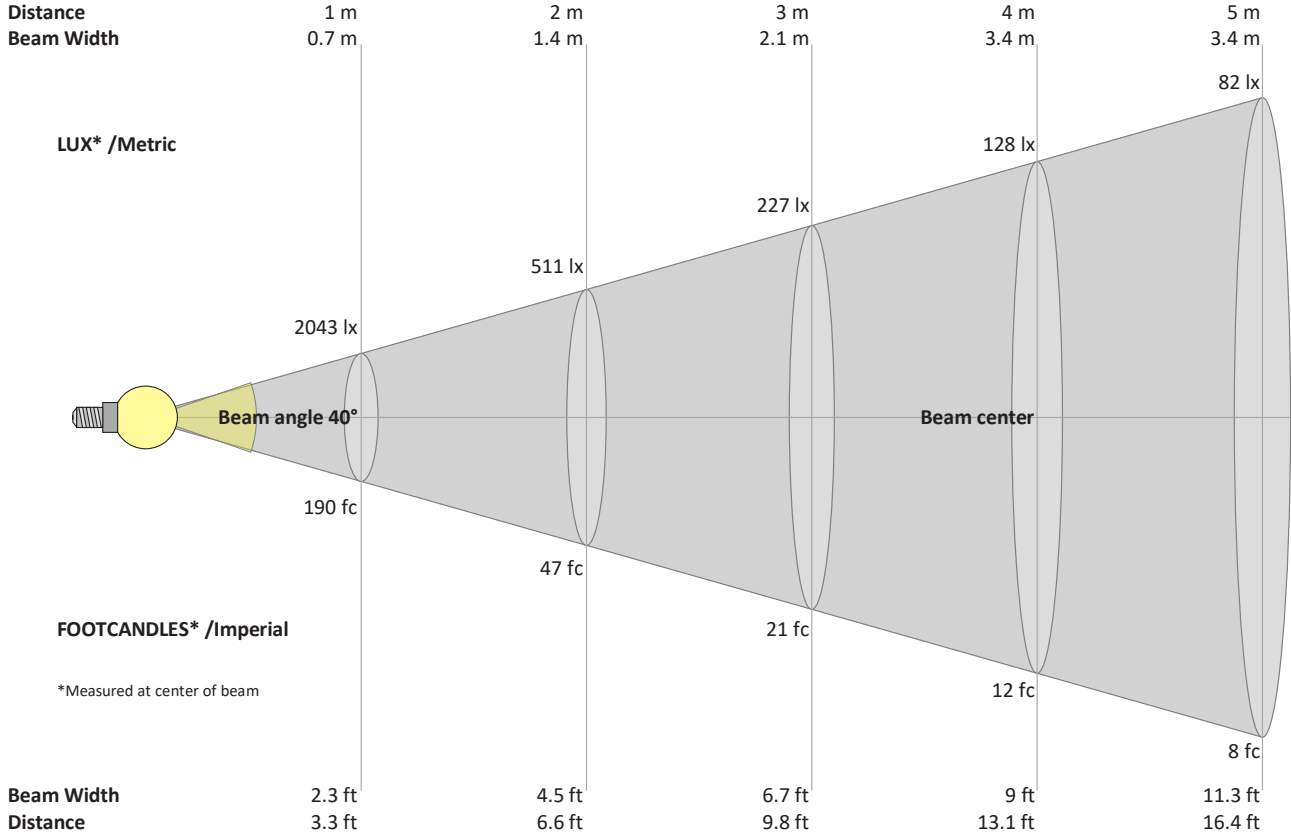
Q1	Q2	Q3	Q4	Q5	Q6	Q7	Q8	Q9	Q10	Q11	Q12	Q13	Q14	Q15
84.7	91.8	95.0	91.4	90.0	89.4	91.0	91.4	90.6	89.6	93.4	94.5	94.0	86.5	86.6

Light Measurement Report

Print date: 2023-01-06

Measurement date and time: 2023-01-06 11:41:29 AM – Measurement no. VFR-230106-0050-MS

Beam Details



Beam intensities from 1 – 20 m

1	2	3	4	5	6	7	8	9	10	11	12	13	14	15	16	17	18	19	20	m
3.3	6.6	9.8	13.1	16.4	19.7	23	26.2	29.5	32.8	36.1	39.4	42.7	45.9	49.2	52.5	55.8	59.1	62.3	65.6	ft
2043	511	227	128	82	57	42	32	25	20	17	14	12	10	9	8	7	6	6	5	lux
189.8	47.4	21.1	11.9	7.6	5.3	3.9	3	2.3	1.9	1.6	1.3	1.1	1	0.8	0.7	0.7	0.6	0.5	0.5	fc

Intensities in 0° c-plane

0°	2°	4°	6°	8°	10°	12°	14°	16°	18°	20°	22°	24°	26°	28°	30°	32°	34°	36°	38°	y
2043	2012	1907	1762	1598	1427	1247	1064	882	709	557	428	326	249	197	160	132	107	86	69	cd
100%	99%	93%	86%	78%	70%	61%	52%	43%	35%	27%	21%	16%	12%	10%	8%	6%	5%	4%	3%	of 0°val

Intensities in 90° c-plane

0°	2°	4°	6°	8°	10°	12°	14°	16°	18°	20°	22°	24°	26°	28°	30°	32°	34°	36°	38°	y
2043	2012	1907	1762	1598	1427	1247	1064	882	709	557	428	326	249	197	160	132	107	86	69	cd
100%	99%	93%	86%	78%	70%	61%	52%	43%	35%	27%	21%	16%	12%	10%	8%	6%	5%	4%	3%	of 0°val

Intensities in 180° c-plane

0°	2°	4°	6°	8°	10°	12°	14°	16°	18°	20°	22°	24°	26°	28°	30°	32°	34°	36°	38°	y
2043	2012	1907	1762	1598	1427	1247	1064	882	709	557	428	326	249	197	160	132	107	86	69	cd
100%	99%	93%	86%	78%	70%	61%	52%	43%	35%	27%	21%	16%	12%	10%	8%	6%	5%	4%	3%	of 0°val

Intensities in 270° c-plane

0°	2°	4°	6°	8°	10°	12°	14°	16°	18°	20°	22°	24°	26°	28°	30°	32°	34°	36°	38°	y
2043	2012	1907	1762	1598	1427	1247	1064	882	709	557	428	326	249	197	160	132	107	86	69	cd
100%	99%	93%	86%	78%	70%	61%	52%	43%	35%	27%	21%	16%	12%	10%	8%	6%	5%	4%	3%	of 0°val