

Model: VBD-024-096VTSP

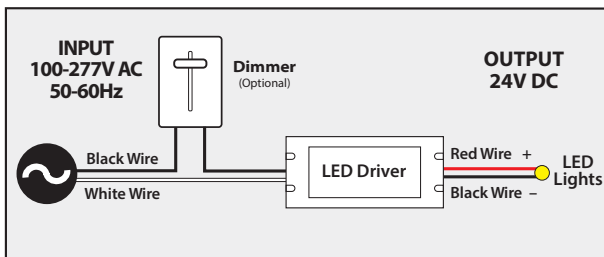
Input Voltage:	100 – 277V AC
Input Current at Max Load:	1.3 A
Frequency:	50-60 Hz
Output Voltage:	24V DC
Output Current:	4 A
Max Power:	96W
Dimensions L x W x H:	330mm x 30mm x 22mm
Class Certification:	Class 2/ Class P/ Type HL
Weight:	0.312 kg
IP Rating:	IP20 (Dry, and Damp Locations)
Dimmable:	Triac/ Phase-cut Dimming
Wiring/Housing:	Hardwire
Operating Temperature:	at least 90°C
Standards:	FC/UL/RoHS

Job Name: _____

Distributor: _____

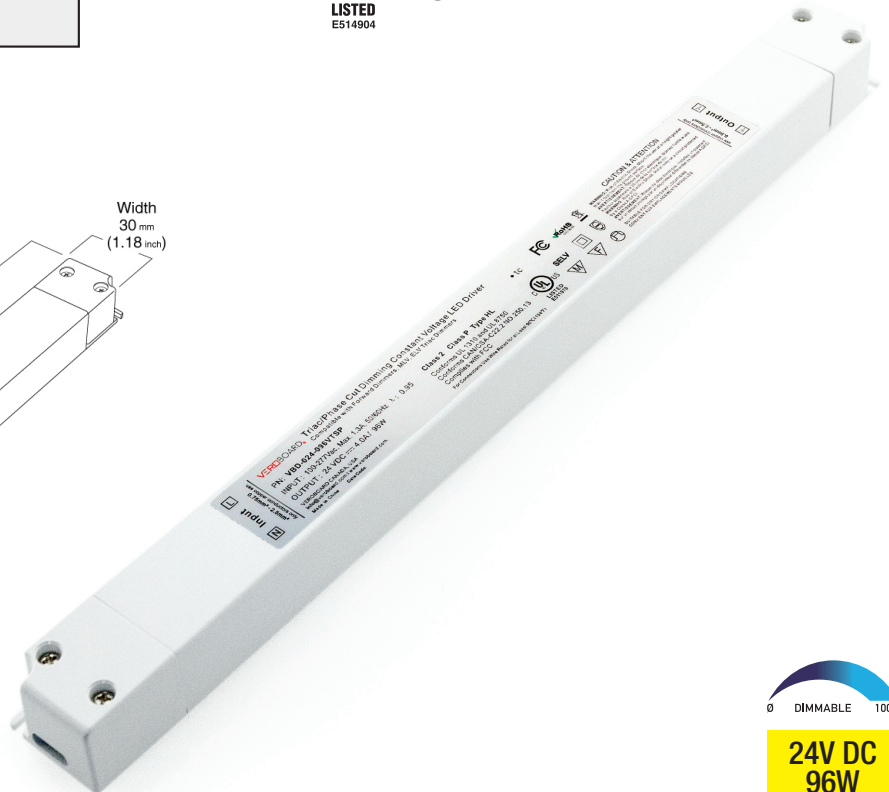
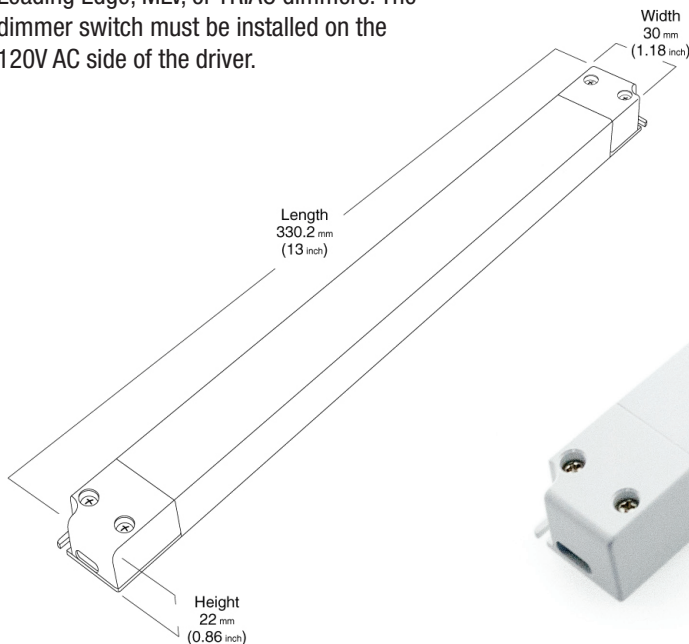
Type: _____

Installation Diagram



Dimming

Veroboard Phase Cut Dimming Constant Voltage LED drivers work with any standard Leading Edge, MLV, or TRIAC dimmers. The dimmer switch must be installed on the 120V AC side of the driver.



SKU: 666561419783