

Model: VBD-024-060VWSW

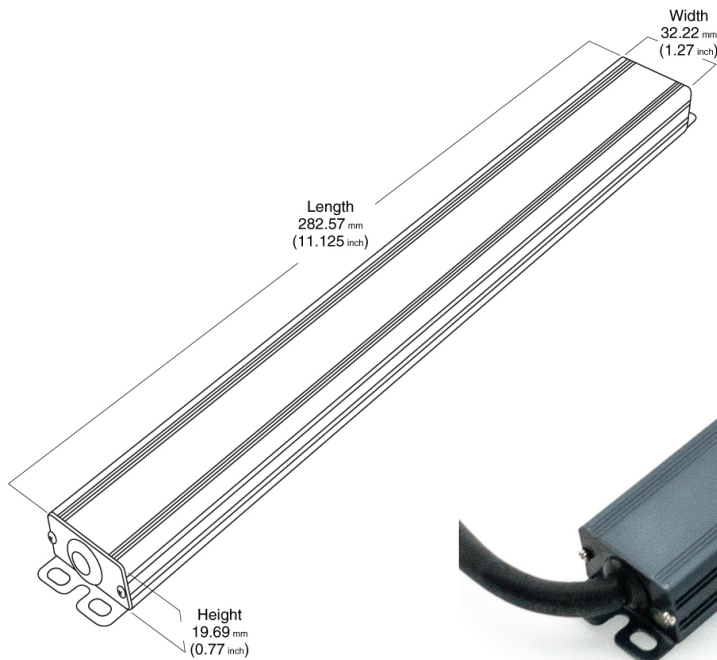
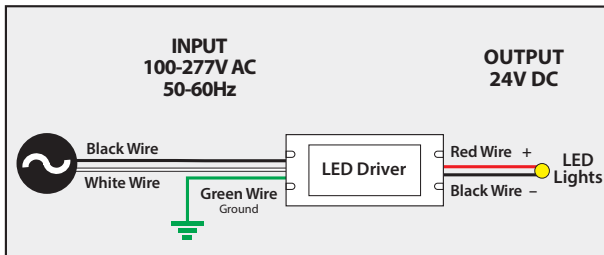
| | |
|-----------------------------------|-------------------------------------|
| Input Voltage: | 100 – 277V AC |
| Input Current at Max Load: | 0.9 A |
| Frequency: | 50/60 Hz |
| Output Voltage: | 24V DC |
| Output Current: | 2.5 A |
| Max Power: | 60W |
| Dimensions L x W x H: | 282mm x 32mm x 20mm |
| Class Certification: | Class 2/Class P/Type HL |
| Weight: | 0.39 kg |
| IP Rating: | IP67 (Dry, Damp, and Wet Locations) |
| Dimmable: | No |
| Wiring/Housing: | Hardwire |
| Operating Temperature: | at least 90°C |
| Standards: | CE/FC/UL/RoHS |

Job Name: _____

Distributor: _____

Type: _____

Installation Diagram



24V DC
60W
CLASS 2

SKU: 666561419721