

PIR Motion Sensor Light Switch 12-24V 2A

The light switches ON when it detects motion. Designed for class III insulated appliances (Low voltage LED lights).

SPECIFICATIONS



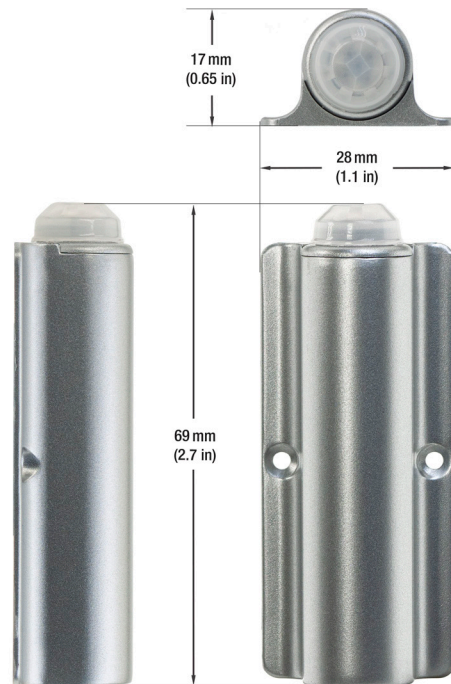
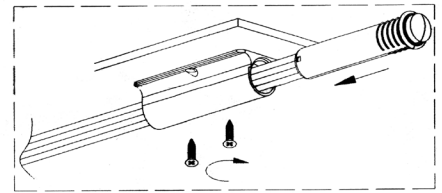
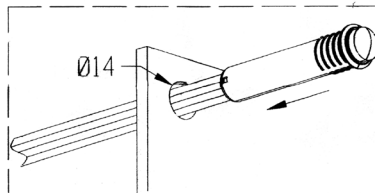
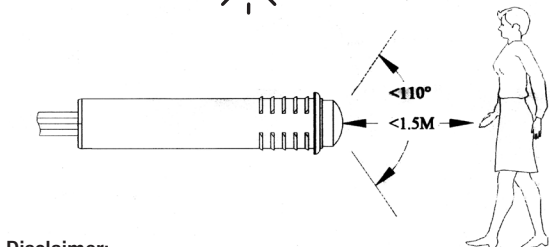
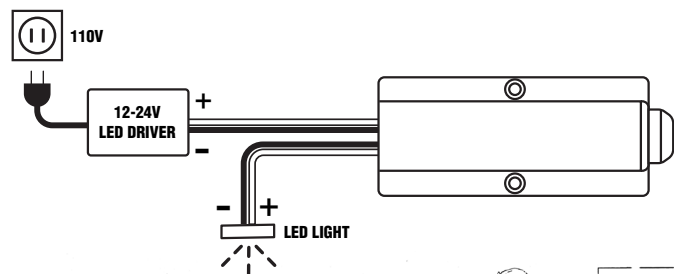
Model No.	VBD-PIR-2
Operating Voltage	12-24V DC
Power Supply Voltage	12-24V
Load Current	2A
Maximum Wattage	24W @12V / 48W @24V
Delay Time	45s
Sensor Type	Infrared (PIR)
Working Temperature	-20~45°C
Connection Type	Dupont Connectors
Wire Length	1 Meter (39 inches)
Induction Distance Range	<1.5m
Insulation Class	Class 3
Detection Angle	110°
Dimensions	69 x 28 x 17mm

Features:

- Infrared sensor detection of lights when the door opens and closes.
- The wire and the controller are connected by a buckle, convenient for easy replacement.
- Suitable for both recessed (Drilling a hole of 12mm size) and surface mount installations (using holder).
- It has a hidden sensor lens.
- It is a small infrared sensor that detects moving objects like doors, drawers, cabinets, etc., and switches LED lighting ON/OFF.

Package Content:

PIR Sensor with 2 x AWG22 wire with Dupont end terminals, and 2 x screw terminals.



Disclaimer:

The data and information contained in this specification sheet are subject to change without notice; the ratings supplied are provided based on the product manufacturer. The information contained in this specification sheet should not be considered a warranty, expressed or implied, including, but not limited to, a warranty of merchantability or fitness for a particular purpose. In no event shall Veroboard be liable for any incidental or consequential damages resulting from the use, misuse, or inability to use the product. This exclusion applies regardless of whether such damages are sought based on breach of warranty, breach of contract, negligence, strict liability in tort, or any other legal theory.

Job Name: _____

Distributor: _____

Type: _____



SKU: 666561415426