

VBD-JB-4 4" LED Driver Enclosure Box

Job Name: _____

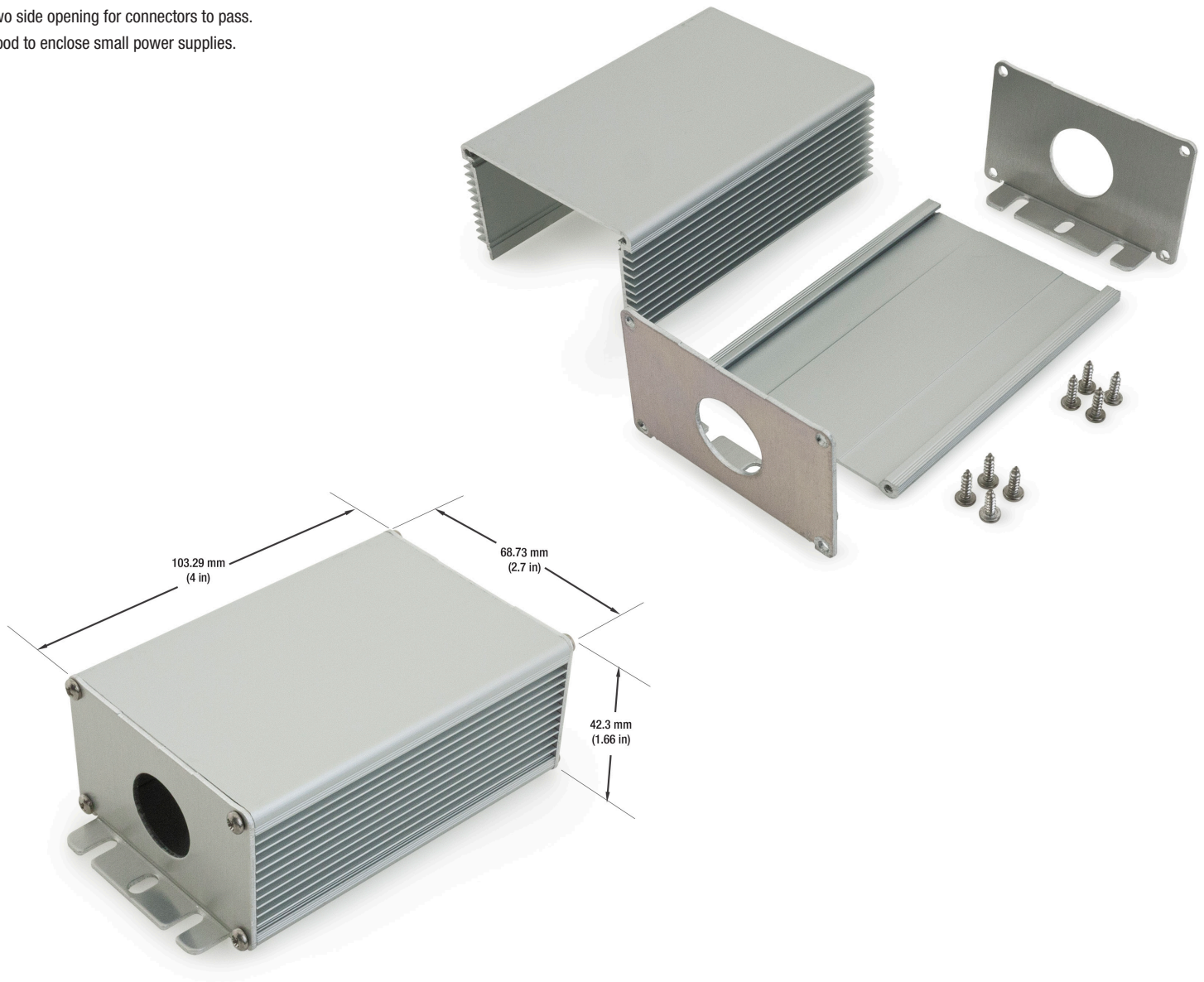
Distributor: _____

Type: _____

SPECIFICATIONS

Model:	VBD-JB-4
Material:	Aluminum
Dimensions:	103.3mm x 68.7mm x 42.3mm (4" x 2.7" x 1.66")

- Two side opening for connectors to pass.
- Good to enclose small power supplies.



Disclaimer:

The data and information contained in this specification sheet are subject to change without notice; the ratings supplied are provided based on the product manufacturer. The information contained in this specification sheet should not be considered a warranty, expressed or implied, including, but not limited to, a warranty of merchantability or fitness for a particular purpose. In no event shall Veroboard be liable for any incidental or consequential damages resulting from the use, misuse, or inability to use the product. This exclusion applies regardless of whether such damages are sought based on breach of warranty, breach of contract, negligence, strict liability in tort, or any other legal theory.

For more information about our products and services, please visit our website: www.veroboard.com



SKU: 666561410551