

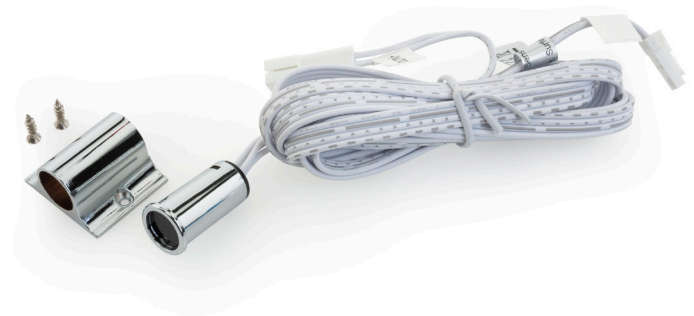
## Single Head Door Trigger (IR) Sensor Switch Type 2

Name: \_\_\_\_\_

Company: \_\_\_\_\_

Phone: \_\_\_\_\_

Email: \_\_\_\_\_



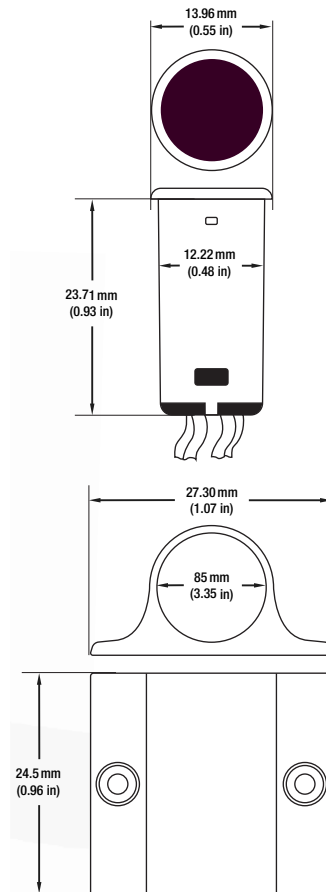
### Package Content:

- IR sensor switch with 6 feet of wire
- Holder with screws for surface mounting the sensor

### SPECIFICATIONS

|                               |                        |
|-------------------------------|------------------------|
| <b>Model No</b>               | VBD-DOOR-SNG-60        |
| <b>Operating Voltage</b>      | 12V DC                 |
| <b>Power Load</b>             | 60W Max.               |
| <b>Usage</b>                  | Single Color           |
| <b>Body Color</b>             | Chrome                 |
| <b>Wire Length</b>            | 6ft (58 inches)        |
| <b>Material</b>               | PVC (Plastic)          |
| <b>Sensor Distance</b>        | 6-10cm                 |
| <b>Operating Temperatures</b> | -5°C~40°C              |
| <b>IP Rating</b>              | IP20 (Indoor use only) |

- Infrared sensor detection of lights when the door opens and closes.
- The wire and the controller are connected by a buckle, convenient for easy replacement.
- Suitable for both recessed (Drilling a hole of 12mm size) and surface mount installations (using holder).
- It has a hidden sensor lens.
- It is a small infrared sensor that detects moving objects like doors, drawers, cabinets, etc., and switches LED lighting ON/OFF.



**SKU:** 666561403461