



NORTHEAST — LANTERN® —

Solid Brass and Copper Light Fixtures Handcrafted in the USA.





NORTHEAST — LANTERN® —

Solid Brass and Copper Light Fixtures Handcrafted in the USA.

Volume 21





2531 pictured



NORTHEAST — LANTERN® —

Over three decades of history.

Since 1987, Northeast Lantern has been handcrafting solid brass and copper light fixtures in New Hampshire. What started out as a hobby, soon transformed into a lifelong career for Gordon Heal who has been melting solder to metal since he was fifteen years old. The tradition has continued and been passed down to his son Chris who can be regularly seen in every department on the shop floor. Throughout the decades we've strived to be a cohesive team aligned toward a common purpose from fabrication to shipping. Everyone at Northeast Lantern plays an important role in bringing each of our various light fixtures to form and function.

Quality Manufacturing & Service.

We use 100% brass and copper materials which are incredibly durable and are two of the highest graded metals resistant to corrosion and weather. Both have more resistance to oxidation than steel and aluminum and will patina with age which helps protect the fixture against any corrosion.

Lifetime Guarantee.

Our Lifetime Guarantee provides confidence and customer loyalty in our product by providing a thoroughly satisfying experience when selecting, purchasing, and living with your light fixtures. We guarantee our light fixtures against cracking, breaking or defects in workmanship under normal use for the lifetime of the fixture for the original purchaser. For an extended look at our guarantee, please see our price sheet or view online at www.northeastlantern.com.

Gordon E. Heal

Chris Heal



Handcrafted in the USA

1-800-892-1206 | www.northeastlantern.com | 5

TABLE OF CONTENTS



NEW COLLECTIONS

ASHFORD	8
COPLIN	11
DOWNTOWN	13
GLIDDEN	14
NOTTINGHAM	15
ROCKLAND	16
WEAVE	18
WINNICUTT	19
ACCESSORIES	94
CUSTOM	97
FINISH OPTIONS	22
HOW TO ORDER	96
QUICK SHIP	20

COLLECTIONS

ADAMS	49	FOYER HANGING	67	SHARON	85
BARN	39	HEAL	71	STANFIELD	87
BOSC	51	IMPERIAL	73	UPTOWN	89
BOSTON	53	LIVERY	75	UXBRIDGE	91
CHANDELIERS/ORBS	55	LYNN	77	WOODCLIFFE	92
CONCORD	45	MIDTOWN	79	YORK	93
ELLIS	61	NAUTICAL	81	INDEX	98
EMPIRE	63	ONION(S)	27	APPENDIX	100
FLUSH MOUNTS	64	PENDANTS	82		



NEW ASHFORD

Finish: AB, DAB, DB, VG, AC
Glass: CLR, CSG, SMG, FST



15.25"

8983
CLR



10.25"

8961R
SMG



12.25"

8991R
CSG



12.25"

8971R
CLR

Item	Measurements	Mounting Height	Mounting Area	Socket
8961R	6"W x 6.25"D x 10.25"H	5"	4.5" x 8.5"	LT1
8971R	8"W x 8.25"D x 12.25"H	6"	6" x 10.75"	LT2
8991R	8"W x 6.25"D x 12.25"H	6"	6" x 10.75"	LT2
8983	9"W x 9"D x 15.25"H		3" fitter	LT3/CIM

MED: Medium base socket; 75 watt max. LT1/LT2/LT3: Candelabra socket; 60 watt max.





COPLIN NEW

Finish: AB, DAB, DB, VG, AC
Glass: CLR, CSG, SMG, FST



23.25"

11232
CLR



23.25"

11231
CLR



20.5"

11221
CSG



17.25"

11211
CLR

Item	Measurements	Mounting Height	Mounting Area	Socket
11211	6.25"W x 6.75"D x 17.25"H	11.25"	4.5" x 11.25"	LT1
11221	9"W x 9"D x 20.5"H	13.5"	6.75" x 13"	LT2
11231	10"W x 10"D x 23.25"H	15"	7.75" x 15"	LT2
11232*	10"W x 10"D x 23.25"H	36" chain	5" diam.	LT2

LT1/LT2: Candelabra socket; 60 watt max





11651 pictured

Finish: AB, DAB, DB, VG, AC
Glass: CLR, CSG, SMG, FST

DOWNTOWN NEW



Item	Measurements	Mounting Height	Mounting Area	Socket
11631	5.75"W x 6.5"D x 18.5"H	9.5"	4.5"W x 18.5"H	MED
11641	7"W x 6.5"D x 23.5"H	11.75"	4.5" x 23.5"	LT2
11651	9.75"W x 6.5"D x 23.5"H	11.75"	4.5" x 23.5"	LT2
11653	9.75"W x 9.75"D x 23.75"H		3" fitter	LT4/FCYL

FCYL: Medium base socket with frosted glass cylinder; 75 watt max. LT2/LT4: Candelabra socket; 60 watt max.
 MED: Medium base socket; 75 watt max.

Handcrafted in the USA



NEW GLIDDEN

Finish: AB, DAB, DB, VG, AC
Glass: CLR, CSG, SMG, FST



11841
CLR



11821
CLR



11822
CLR



11843P
CLR

Item	Measurements	Mounting Height	Mounting Area	Socket
11821	9.25"W x 5.75"D x 17"H	9.25"	7.5"W x 12"H	LT2
11822*	9.25"W x 9.25"D x 18"H	36" chain	5" diam	LT3
11841	9.25"W x 5.75"D x 21.75"H	12"	7.5"W x 16"H	LT2
11843P	9.25"W x 9.25"D x 22.5"H		6.25"W x 6.26"H	LT3

LT2/LT3: Candelabra socket; 60 watt max.



NEW NOTTINGHAM

Finish: AB, DAB, DB, VG, AC
Glass: CLR, CSG, SMG, FST



11732
CLR



11711
CLR



11753
CLR



11741
CLR

Item	Measurements	Mounting Height	Mounting Area	Socket
11711	5.5"W x 6.25"D x 14.5"H	11.5"	5"W x 5.5"H	LT1
11732*	6.5"W x 6.5"D x 18"H	36" chain	5" diam.	LT2
11741	7.5"W x 8.5"D x 20.5"H	15.5"	6"W x 9.5"H	CIM
11753	8.5"W x 8.75"D x 25"H		3" fitter	CIM

LT1/LT2: Candelabra socket; 60 watt max. CIM: Medium base socket with clear glass hurricane chimney; 75 watt max.



Handcrafted in the USA

NEW ROCKLAND

Finish: AB, DAB, DB, VG, AC
Glass: CLR, CSG, SMG, FST



11332
CLR



11322
CSG



11333
CLR



11312
CLR



11311
CLR



11321
CLR



11331
CLR

Item	Measurements	Mounting Height	Mounting Area	Socket
11311	8.5"W x 8.75"D x 15.5"H	10.25"	7" x 8.75"	LT2
11312*	8.5"W x 8.5"D x 15.5"H	36" chain	5" diam.	LT2
11321	9.5"W x 9.75"D x 18.5"H	11.25"	7" x 10"	LT2
11322*	9.5"W x 9.5"D x 18.5"H	36" chain	5" diam.	LT2
11331	11.5"W x 11.75"D x 22"H	14.5"	10" x 12"	LT2
11332*	11.5"W x 11.5"D x 22"H	36" chain	5" diam.	LT4
11333	11.5"W x 11.5"D x 24.75"H		3" fitter	CIM / LT4

CIM: Medium base socket with clear glass hurricane chimney; 75 watt max. LT2/LT4: Candelabra socket; 60 watt max.

Wet/*Damp

NEW WEAVE

Finish: AB, DAB, DB, VG, AC
Glass: CLR, CSG, SMG, FST



4404W
FST



12.5"



351W
FST

12.5"



351B
FST

12.5"



351
CSG

11.5"



WC975

Item	Measurements	Mounting Height	Mounting Area	Socket
351B	6.75"W x 4.75"D x 12.5"H	6.25"	6.75"W x 12.5"H	MED
351W	6.75"W x 4.75"D x 12.5"H	6.25"	6.75"W x 12.5"H	MED
351	6.75"W x 4.75"D x 12.5"H	6.25"	6.75"W x 12.5"H	MED

MED2: Medium socket; 75 watt max. ◊: Available in brass finishes only



Item	Measurements	Mounting Height	Mounting Area	Socket
4404W*	11"W x 11"D x 6"H	n/a	11"W x 11"H	MED2
WC975	9.75"W x 9.75"D x 11.5"H	n/a	5.75" diam.	LT3

MED2: Medium socket; 60 watt max. LT3: Candelabra socket; 60 watt max ◊: Available in brass finishes only



NEW WINNICUTT

Finish: AB, DAB, DB, VG, AC
Glass: CSG, SMG, FST

9.25"



11921
CLR

19.25"



11942
CLR

18"



11941
CLR

10.75"



11931
CLR

25.25"



11953
CLR

Item	Measurements	Mounting Height	Mounting Area	Socket
11921	6.25"W x 7"D x 14.5"H	9.25"	5.5"W x 13"H	MED
11931	6.5"W x 7"D x 15.25"H	10.75"	5.5"W x 7"H	LT2
11941	7.75"W x 8"D x 18.25"H	13.25"	6.5"W x 9"H	MED
11942*	7.75"W x 7.75"D x 19.25"H	36" chain	5" diameter	MED/LT2
11953	8.75"W x 8.75"D x 25.25"H		3" fitter	CIM/LT3

CIM: Medium base socket with clear glass hurricane chimney; 75 watt max. LT2: Candelabra socket; 60 watt max
MED: Medium socket; 75 watt max.



QUICK SHIP

Quantities of 6 or less: Limited availability. Contact us to confirm.
Finish: All fixtures available in: Antique Brass (AB) or Dark Brass (DB).
Glass: All caged onion globes available with Clear (CLR) and Optic (OPT) glass only. All other fixtures available with Clear (CLR) or Clear Seedy (CSG) glass. **Sockets:** Are as pictured



2511



3411

3421

3441



2531



2521



2541



2543



PMO1
Brass
Pier Mount



CAPM
Cast Aluminum Pier
Mount (Epoxy supplied)



5643



4204



4104



5621



5611



5721



10527



3337



8831



10517



3317



8811



FINISH OPTIONS

We offer four different brass finishes and one copper finish. All of our finishes are hand applied and can vary slightly because of this process. Our lanterns have a living finish that will age naturally in the same environment.

The finish process works naturally with the brass and copper materials to create the varying shades of color on each piece. All of our finishes are hand applied and may vary in actual color or character because of this process.

The changes in color are not considered a flaw, but a characteristic of the fixture as it evolves over time. We do not lacquer, powder coat or paint any of our fixtures.



- AB**
Antique Brass
A muted brownish-gold color.
- DAB**
Dark Antique Brass
Dark brown with gold highlights. Our closest to bronze finish.
- DB**
Dark Brass
A dark gray, charcoal finish. Our darkest finish.
- VG**
Verdi Gris
A brass fixture with black undertones and an overall blue/green patina.
- AC**
Antique Copper
Slightly darkened and aged.

GLASS OPTIONS

We offer four different types of flat glass. Each type of glass has it's own code for easy ordering.

CLR
Clear
Unless otherwise stated; clear glass is standard in all fixtures. Our clear glass is double-strength glass: "DSB" referring to double strength billet, this is glass between 0.115 and 0.133 inches thick.



- CSG**
Clear Seedy Glass
Our most popular glass choice. Encapsulated bubbles are scattered on clear glass.
- SMG**
Seedy Marine Glass
Overload of encapsulated bubbles with fine lines are dispersed in clear glass.
- FST**
Frosted
Lighter than white glass. More popular on interior flush mount fixtures.

MATURE PATINA

Pictured to the right are examples of the change in a fixture's appearance through age and exposure due to weather conditions.



New



Six months

HAND-BLOWN GLASS GLOBES

We offer three different types of hand-blown glass globes: Clear, Clear Seedy and Optic.

Small blemishes and bubbles are inherent in hand-blown glass and are not considered defects. Due to the nature of the glass-making process, the pattern and balance of color in the glass may vary slightly within a fixture and from one fixture to another.

CSG
Clear Seedy Glass



Encapsulated bubbles scattered on clear glass.

OPT
Optic



Rippled vertical waves on clear glass.



3441 & 3333
pictured

COLLECTIONS



Handcrafted in the USA



2531 pictured

25"

Finish: AB, DAB, DB, VG, AC
Hand Blown Globes: CLR, CSG, OPT

ONION

See Appendix on page 102
for all size options



2571
OPT



2525
CLR



2515
CLR



2511
CLR



2531
OPT



2521
OPT



2541
CLR

Item	Measurements	Mounting Height	Mounting Area	Socket
2511	8"W x 9.5"D x 15.5"H	12"	4.5" x 5.75"	MED
2521	9"W x 11"D x 16"H	12"	4.5" x 5.75"	MED
2515	8"W x 10"D x 12"H	6"	5.25" diam.	MED
2525	9"W x 11"D x 12.5"	6"	5.25" diam.	MED
2531	10.5"W x 12.5"D x 19"H	13"	4.5" x 5.75"	MED
2541	12"W x 13.5"D x 21"H	13.5"	4.5" x 5.75"	MED
2571	14.5"W x 16"D x 25"H	17"	4.5" x 5.75"	LT2 / MED

MED: Medium socket; 75 watt max. LT2: Candelabra socket; 60 watt max



Handcrafted in the USA



2521 pictured

Finish: AB, DAB, DB, VG, AC
Hand Blown Globes: CLR, CSG, OPT

ONION



2025
CLR

See Appendix on page 102
for all size options



2015
OPT



2011
CLR



2031
OPT



2021
OPT



2041
CLR

Item	Measurements	Mounting Height	Mounting Area	Socket
2011	5.5"W x 8.5"D x 15"H	12"	4.5" x 5.75"	MED
2015	5.5"W x 9"D x 11"H	6"	5.25" diam.	MED
2021	7"W x 9.5"D x 15.5"H	12"	4.5" x 5.75"	MED
2025	7"W x 10"D x 11.5"H	6"	5.25" diam.	MED
2031	8"W x 11"D x 18.5"H	13.5"	4.5" x 5.75"	MED
2041	9.75"W x 12"D x 21"H	13.5"	4.5" x 5.75"	MED

MED: Medium socket; 75 watt max. LT2: Candelabra socket; 60 watt max



Handcrafted in the USA



ONION HANGING & FLUSH

Finish: AB, DAB, DB, VG, AC
Hand Blown Globes: CSG, OPT

See Appendix on page 102
for all size options



Item	Measurements	Chain	Mounting Area	Socket
2012* (see Appendix)	5.5"W x 5.5"D x 12"H	36"	5" diam.	MED
2014* (see Appendix)	5.5"W x 5.5"D x 9.75"H		5.75" diam.	MED
2022* (see Appendix)	7"W x 7"D x 12.5"H	36"	5" diam.	MED
2032* (see Appendix)	8"W x 8"D x 15.5"H	36"	5" diam.	MED
2042* (see Appendix)	9.75"W x 9.75"D x 17.5"H	36"	5" diam.	MED
2522* (see Appendix)	9"W x 9"D x 13"H	36"	5" diam.	MED
2532* (see Appendix)	10.5"W x 10.5"D x 15.5"H	36"	5" diam.	MED
2542* (see Appendix)	12"W x 12"D x 17"H	36"	5" diam.	MED

Item	Measurements	Chain	Mounting Area	Socket
2024*	7"W x 7"D x 10"H		5.75" diam.	MED
2512*	8"W x 8"D x 12"H	36"	5" diam.	MED
2514*	8"W x 8"D x 10.5"H		5.75" diam.	MED
2572*	14.5"W x 14.5"D x 20"H	36"	5" diam.	LT2/MED
2524*	9"W x 9"D x 10.75"H		5.75" diam.	MED

MED: Medium socket; 75 watt max. MED*: Medium socket; 60 watt max. LT2: Candelabra socket; 60 watt max.





Aged 2543 pictured



2533
CLR



2543
OPT

Finish: AB, DAB, DB, VG, AC
Hand Blown Globes: CSG, OPT

See Appendix on page 102
for all size options



2043
CLR



2573
OPT

ONION POST

Item	Measurements	Fitter	Socket
2043	9.75"W x 9.75"D x 20"H	3" diam.	MED
2523 (see Appendix)	9"W x 9"D x 16"H	3" diam.	MED
2533	10.5"W x 10.5"D x 18.5"H	3" diam.	MED
2543	12"W x 12"D x 20"H	3" diam.	MED
2573	14.5"W x 14.5"D x 22"H	3" diam.	LT3 / MED

MED: Medium socket; 75 watt max. LT3: Candelabra socket; 60 watt max





2851 pictured



2862
OPT

Finish: AB, DAB, DB, VG, AC
Hand Blown Globes: CSG, OPT

ROUND ONION

See Appendix on page 102
for all size options



2831
CLR



2851
CLR

Item	Measurements	Mounting Height	Mounting Area	Socket
2831	11.5"W x 13"D x 23"H	13.5"	4.5" x 5.75"	MED
2832* (see Appendix)	11.5"W x 11.5"D x 18"H	36" chain	5" diam.	MED
2841 (see Appendix)	13"W x 14"D x 24"H	13.5"	4.5" x 5.75"	MED
2842* (see Appendix)	13"W x 13"D x 19"H	36" chain	5" diam.	MED
2851	15.5"W x 17"D x 28"H	16"	4.5" x 5.75"	LT3
2852* (see Appendix)	15.5"W x 15.5"D x 24"H	36" chain	5" diam.	LT3
2861 (see Appendix)	18"W x 20"D x 35"H	19"	4.5" x 5.75"	LT3
2862*	18"W x 18"D x 27"H	36" chain	5" diam.	LT3

MED: Medium socket; 75 watt max. LT3: Candelabra socket; 60 watt max.

Wet/*Damp 



Handcrafted in the USA



Aged 2853 pictured

ROUND ONION POST

Finish: AB, DAB, DB, VG, AC
Hand Blown Globes: CSG, OPT

See Appendix on page 102
for all size options



21"
2843
OPT



25"
2853
OPT



30"
2863
OPT

Item	Measurements	Mounting Area	Socket
2843	13"W x 13"D x 21"H	3" fitter	MED
2853	15.5"W x 15.5"D x 25"H	3" fitter	LT3 / MED
2863	18"W x 18"D x 30"H	3" fitter	LT3 / MED

MED: Medium socket; 75 watt max. LT3: Candelabra socket; 60 watt max



Handcrafted in the USA





3441 pictured

See **page 83**
for more information on
How to order our pendants.

Finish: AB, DAB, DB, VG, AC

BARN



10.5"

3442-AP10
14" diameter



8"

3422-AP10
9.75" diameter



7"

3411
8" diameter



8.25"

3421
9.75" diameter



10.75"

3441
14" diameter




13"

3451
18" diameter

Item	Measurements	Mounting Height	Mounting Area	Socket
3411	8"W x 10.5"D x 7"H	3"	4.5" x 5.75"	MED
3421	9.75"W x 12.5"D x 8.25"H	3"	4.5" x 5.75"	MED
3441	14"W x 16.5"D x 10.75"H	3"	4.5" x 5.75"	MED
3451	18"W x 21"D x 13"H	3"	4.5" x 5.75"	MED
3422-AP10*	9.75"W x 9.75"D x 8"H	21.5" - 29.5"	5.75" diam.	MED
3442-AP10*	14"W x 14"D x 10.5"H	24" - 32"	5.75" diam.	MED

MED: Medium socket; 75 watt max.

Wet/*Damp 

 Handcrafted in the USA



3456 pictured

Cast bronze support with stainless steel cable measures: 1 3/16" depth and 2 3/8" diameter. Adjustable on site. Included with a **3456** fixture.

3456
Standard 26.5" projection

Finish: AB, DAB, DB, VG, AC

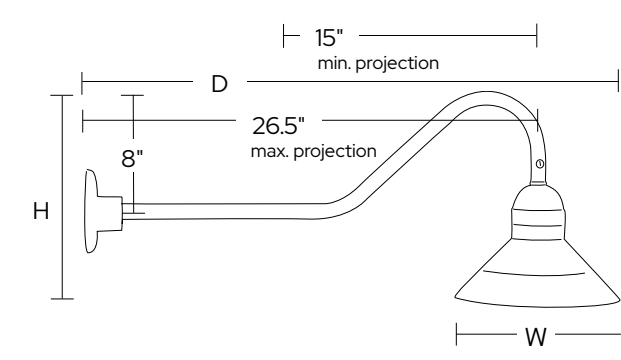
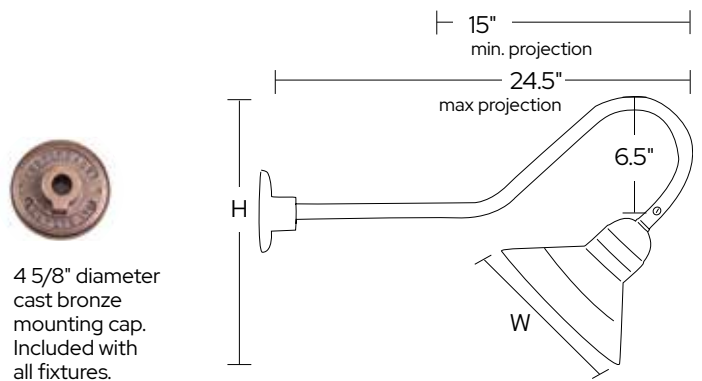
BARN

3449
Standard 24.5" projection

3446
Standard 26.5" projection

3429
Standard 24.5" projection

3426
Standard 26.5" projection



Item	Measurements	Mounting Height	Mounting Area	Socket
3426	9.75"W x 30.75"D x 12.25"H	8"	4.625"	MED
3446	14"W x 33.5"D x 17.25"H	8"	4.625"	MED
3456	18"W x 35.5"D x 19.5"H	8"	4.625"	MED
3429	9.75"W x 24.5"D x 15.5"H	6.5"	4.625"	MED
3449	14"W x 24.5"D x 19"H	6.5"	4.625"	MED

MED: Medium porcelain socket; 300 watt max

Handcrafted in the USA

Wet LISTED




3422 & 11011 CLR pictured

Finish: AB, DAB, DB, VG, AC

BARN


Options:

Standard



Item Number + Finish + MED

With Ribbed Diffuser



Item Number + Finish + MED + CLR



Adjustable Length

AP10
13.5"-21.5"H

AP20
23.5"-41.5"H

5"

11012 - AP10
11.75" diameter



6.75"

11011
11.75" diameter

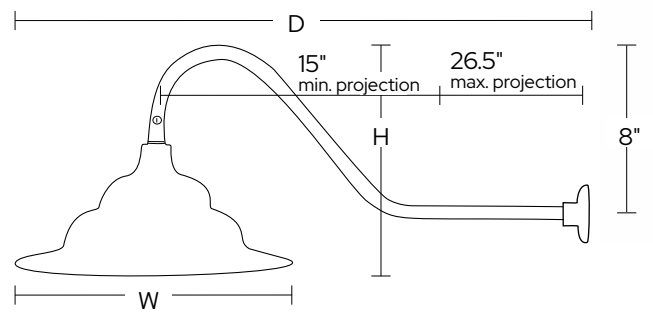


8"

11021
13.75" diameter



4 5/8" diameter cast bronze mounting cap included with **11016** and **11026** fixtures.




Shown at 15" min. projection. Ships standard with 26.5" projection. Projection length can be shortened in field.

6"

11016
13.75" diameter (pictured)

Item	Measurements	Mounting Height	Mounting Area	Socket
11011	11.75"W x 13.25"D x 6.75"H	3.75"	4.5"W x 5.75"H	MED
11021	13.75"W x 16.25"D x 8"H	3.75"	4.5"W x 5.75"H	MED
11012-AP10*	11.75"W x 11.75"D x 5"H		5.75" diam.	MED
11016	11.75"W x 32.5"D x 13"H	8"	4.625" diam.	MED

MED: Medium socket; 75 watt max. 11016 and 11026 fixtures ship with 300 watt max. porcelain socket.

Wet/*Damp 

 Handcrafted in the USA



5721 pictured

CONCORD

Finish: AB, DAB, DB, VG, AC
Glass: CLR, CSG, SMG, FST

See Appendix on page 100
 for all size options



5651
CLR



5632
CLR



5653
CSG



Item	Measurements	Mounting Height	Mounting Area	Socket
5611	6"W x 6.5"D x 13"H	8.5"	4.5" x 8"	CIM / LT1
5621	6"W x 6.5"D x 16"H	10"	4.5" x 11"	CIM / LT1
5651	8"W x 8.5"D x 20"H	12.75"	6.5" x 13"	CIM / LT2
5711	9.25"W x 6.5"D x 13"H	8.5"	7" x 8"	CIM / LT2
5721	9.25"W x 6.5"D x 16"H	10"	7" x 11"	CIM / LT2
5632*	9.25"W x 9.25"D x 19"H	36" chain	5" diam.	LT3
5653	12.25" W x 12.25"D x 28"H		3" fitter	CIM / LT3
5653P (see Appendix)	12.25" W x 12.25"D x 25"H		12.25" x 12.25"	CIM / LT3

CIM: Medium base socket with clear glass hurricane chimney; 75 watt max. LT2/LT3: Candelabra base socket; 60 watt max

Wet / *Damp

Handcrafted in the USA



5721 pictured



24"

5652
CLR



16"

5631
CLR

Finish: AB, DAB, DB, VG, AC
Glass: CLR, CSG, SMG, FST

CONCORD

See Appendix on page 100
for all size options



20"

5751
CLR



23"

5633
CLR

Item	Measurements	Mounting Height	Mounting Area	Socket
5631	9.25" W x 9.5"D x 16"H	10"	7" x 11"	CIM / LT3
5633	9.25" W x 9.25"D x 23"H		3" fitter	CIM / LT3
5633P (see Appendix)	9.25" W x 9.25"D x 20.75"H		9.25" x 9.25"	CIM / LT3
5643 (see Appendix)	9.25" W x 9.25"D x 19"H		3" fitter	CIM / LT3
5652*	12.25" W x 12.25"D x 24"H	36" chain	5" diam.	LT3
5653 (see Appendix)	12.25" W x 12.25"D x 28"H		3" fitter	CIM / LT3
5653P (see Appendix)	12.25" W x 12.25"D x 25"H		12.25" x 12.25"	CIM / LT3
5751	12.25"W x 8.5"D x 20"H	12.5"	9" x 13"	CIM / LT2

CIM: Medium base socket with clear glass hurricane chimney; 75 watt max. LT2/LT3: Candelabra base socket; 60 watt max

Wet/*Damp 



Handcrafted in the USA



6143 pictured

ADAMS

Finish: AB, DAB, DB, VG, AC
Glass: CLR, CSG, SMG, FST

See **Appendix** on page 100
 for all size options



6032
CLR



6011
CLR



6131
CLR

6151
CLR

6111
CLR

6141
CLR

6153
CLR

Item	Measurements	Mounting Height	Mounting Area	Socket
6011 / 6111	5"W x 5.75"D x 13.5"H	11"	4.5" x 4.5"	MED
6112* (see Appendix)	5"W x 5"D x 9"H	36" chain	5" diam.	MED
6131	6"W x 6.75"D x 18"H	14"	5.5" x 7"	LT2 / MED
6132* (see Appendix)	6"W x 6"D x 15"H	36" chain	5" diam.	MED
6141	7"W x 7.5"D x 22"H	17"	6.5" x 9"	LT2 / MED
6142* (see Appendix)	7"W x 7"D x 17"H	36" chain	5" diam.	LT2 / MED
6151	8"W x 8.75"D x 24"H	18.5"	7.5" x 11"	CIM / LT2
6153	8"W x 8"D x 22"H		3" fitter	CIM / LT3

MED: Medium socket; 75 watt max. CIM: Medium base socket with clear glass hurricane chimney.

LT2/LT3: Candelabra socket; 60 watt max. **60 item numbers will feature X bars. 61 item numbers will feature H bars.**

Wet / *Damp

Handcrafted in the USA



2732 pictured

Finish: AB, DAB, DB, VG, AC
Hand Blown Globes: CSG, OPT, CLR

BOSC

See **Appendix** on page 100
for all size options



2742
CLR



2721
CLR

2731
OPT

2741
CLR




2743
CLR

Item	Measurements	Mounting Height	Mounting Area	Socket
2721	9"W x 10.5"D x 20.25"H	12.75"	4.5" x 5.75"	MED
2722* (see Appendix)	9"W x 9"D x 17"H	36" chain	5" diam.	MED
2724 (see Appendix)	9"W x 9"D x 14"H		5.75" diam.	MED
2731	11"W x 13"D x 24.75"H	14.5"	4.5" x 5.75"	MED
2732* (see Appendix)	11"W x 11"D x 20.5"H	36" chain	5" diam.	LT2 / MED
2741	13"W x 14.5"D x 28"H	14.5"	4.5" x 5.75"	LT2 / MED
2742*	13"W x 13"D x 23.25"H	36" chain	5" diam.	LT2 / MED
2743	13"W x 13"D x 24.5"H		3" fitter	LT3 / MED

MED: Medium socket; 75 watt max. LT2/LT3: Candelabra socket; 60 watt max

Wet / *Damp 

 Handcrafted in the USA



1012
CLR



1223
CLR

1063
CLR

1043
CLR

1113
CLR

1073
CLR



standard spider included
1033
CLR



standard spider included
1043
CLR



1253 pictured
standard spider included

Finish: AB, DAB, DB, VG, AC
Glass: CLR, CSG, SMG, FST

BOSTON



1011
CLR



1061
CLR



1001
CLR



1023
CLR



1623
CLR



1073
CLR

Item	Measurements	Mounting Height	Mounting Area	Socket
1001	10.25"W x 12.25"D x 19"H	12.5"	4.5" x 8"	CIM / LT2
1011	12"W x 14"D x 26"H	17.5"	4.5" x 9.5"	CIM / LT3
1012*	12"W x 12"D x 23"H	36" chain	5" diam.	LT3
1023	12"W x 12"D x 26"H		3" fitter	CIM / LT3
1033 Ψ	15"W x 15"D x 38"H		3" fitter	CIM / LT3
1043 Ψ	15"W x 15"D x 38"H		3" fitter	CIM / LT3
1061	12"W x 14"D x 25"H	16.5"	4.5" x 9.5"	CIM / LT3
1063	12"W x 12"D x 26"H		3" fitter	CIM / LT3
1073	14"W x 14"D x 29"H		3" fitter	CIM / LT3
1113	11"W x 11"D x 22"H		3" fitter	CIM / LT3
1223	12"W x 12"D x 29"H		3" fitter	CIM / LT3
1253 Ψ	15"W x 15"D x 43"H		3" fitter	CIM / LT3
1273 Ψ (see Appendix)	14"W x 14"D x 32"H		3" fitter	CIM / LT3
1623	16"W x 16"D x 27"H		3" fitter	CIM / LT3

CIM: Medium base socket with clear glass hurricane chimney; 75 watt max. LT2/LT3: Candelabra socket; 60 watt max.

Ψ : standard spider included with fixture. See page 81 for more spider info.

Wet/*Damp



906 pictured. Photo credit: Greg West Photography.



Item	Measurements	Mounting Area	Chain	Socket
906	23"W x 23"D x 23"H	5" diam.	36"	LT6
908	23.5"W x 23.5"D x 23"H	5" diam.	36"	LT8
912	24"W x 24"D x 26"H	5" diam.	72"	LT12
916	38"W x 38"D x 45"H	5" diam.	72"	LT16

LT6/LT8/LT12/LT16: Candelabra socket; 60 watt max. Designates fixture must ship by truck.



CHANDELIERS

Finish: AB, DAB, DB, VG, AC
Glass: CRY



929 - CRY ◊
Available in brass finishes only



959 - CRY ◊
Available in brass finishes only
🚚



940



984



983V



903



904



983

Item	Measurements	Mounting Area	Chain	Socket
903	10"W x 10"D x 12"H	5" diam.	36"	LT3
904	11"W x 11"D x 12"H	5" diam.	36"	LT4
940	26"W x 26"D x 23"H	5" diam.	36"	LT6
983	23"W x 23"D x 25"H	5" diam.	36"	LT6
983V	24"W x 31"D x 26"H	5" diam.	36"	LT8
984	16"W x 16"D x 16"H	5" diam.	36"	LT4
929-CRY ◊	18.5"W x 18.5"D x 25.5"H	5" diam.	36"	LT6
959-CRY ◊	25"W x 25"D x 34"H	5" diam.	36"	LT6

LT3/LT4/LT6/LT8: Candelabra socket; 60 watt max. 🚚 :designates fixture must ship by truck. ◊ : Available in brass finishes only.



Dry



CHANDELIERS

Finish: AB, DAB, DB, VG, AC

shown with optional paper drip sleeves



Item	Measurements	Mounting Area	Chain	Socket
939	36"W x 36"D x 40"H	5" diam.	72"	LT10
969	26"W x 26"D x 14"H	5" diam.	36"	LT6
982	21"W x 21"D x 13"H	5" diam.	36"	LT6

ORB

Finish: AB, DAB, DB, VG, AC



Item	Measurements	Mounting Area	Chain	Socket
CH901	9.75"W x 9.75"D x 10.5"H	5.75" diam.	36"	MED
CH902	9.75"W x 9.75"D x 13"H	5" diam.	36"	MED
CH904	17"W x 17"D x 22"H	5" diam.	36"	LT4
CH906	24.25"W x 24.25"D x 29"H	5" diam.	36"	LT6
CH908	24.25"W x 24.25"D x 29"H	5" diam.	36"	LT6

LT4/LT6/LT8/LT10: Candelabra socket; 60 watt max.

Truck icon: designates fixture must ship by truck. Diamond icon: Available in brass finishes only.

Dry LISTED



10621 pictured

ELLIS

Finish: AB, DAB, DB, VG, AC
Glass: CLR, CSG, SMG, FST



10742
CLR



10722
SMG



10743P
SMG



10641
CLR




10621
CLR




10611
CLR

Item	Measurements	Mounting Height	Mounting Area	Socket
10611	5.5"W x 5.75"D x 16.75"H	11"	4" x 9"	LT1
10621	9.25"W x 5.75"D x 19.75"H	12.5"	7.5" x 12"	LT2
10641	9.25"W x 5.75"D x 24.25"H	14.5"	7.5" x 16"	LT2
10722*	9.25"W x 9.25"D x 19.75"H	36" chain	5" diam.	LT3
10742*	9.25"W x 9.25"D x 24.25"H	36" chain	5" diam.	LT3
10743P	9.25"W x 9.25"D x 24.25"H		6.25" x 6.25"	LT3

LT1/LT2/LT3: Candelabra socket; 60 watt max. P: Pier mount.

Wet/*Damp 

 Handcrafted in the USA



8851 pictured

EMPIRE

Finish: AB, DAB, DB, VG, AC
Glass: CLR, CSG, SMG, FST

See **Appendix** on page 101
 for all size options



19"
 8932
 CSG



15.5"
 8811
 CLR



21.5"
 8933
 CLR



23"
 8851
 CLR



18.5"
 8931
 CSG



27.5"
 8953
 CLR

Item	Measurements	Mounting Height	Mounting Area	Socket
8811	9.25"W x 5.75"D x 15.5"H	8.25"	7.5" x 9"	LT2
8831 (see Appendix)	9.25"W x 5.75"D x 18.5"H	10"	7.5" x 11.75"	LT2
8851	9.25"W x 5.75"D x 23"H	12"	7.5" x 16"	LT2
8911 (see Appendix)	5.5"W x 5.75"D x 15.5"H	8.25"	4" x 9"	LT1
8931	5.5"W x 5.75"D x 18.5"H	10"	4" x 11.75"	LT1
8932*	9.25"W x 9.25"D x 19"H	36" chain	5" diam.	LT3
8933	9.25"W x 9.25"D x 18.5"H		9.25" x 9.25"	LT3
8933P (see Appendix)	9.25"W x 9.25"D x 21.5"H		3" fitter	LT3
8953	12"W x 12"D x 27.5"H		3" fitter	LT3
8953P (see Appendix)	12"W x 12"D x 24.5"H		12" x 12"	LT3

LT1/LT2/LT3: Candelabra socket; 60 watt max. P: Pier mount.

Wet/*Damp

Handcrafted in the USA

FLUSH MOUNTS

Finish: AB, DAB, DB, VG, AC
Glass: CLR, CSG, SMG, FST



4204
SMG



4104
SMG



4304
SMG



4504
SMG



4314
FST



4404
SMG



4604
SMG



4414
FST

Item	Measurements	Mounting Area	Socket
4104	9"W x 9"D x 4"H	9" x 9"	MED
4204	11"W x 11"D x 4.75"H	11" x 11"	MED2
4304	9"W x 9"D x 5"H	9" x 9"	MED
4314	9"W x 9"D x 5"H	9" x 9"	MED
4404	11"W x 11"D x 6"H	11" x 11"	MED2
4414	11"W x 11"D x 5"H	11" x 11"	MED2
4504	10.5"W x 10.5"D x 5"H	10.5" x 10.5"	MED
4604	13"W x 13"D x 5.75"H	13" x 13"	MED2

Finish: AB, DAB, DB, VG, AC
Glass: CLR, CSG, SMG, FST



4904
CSG



SC1212
FST CLR



7324
CLR



984F



903F



904F

Item	Measurements	Mounting Area	Socket
903F*	10"W x 10"D x 12"H	5.75" diam.	LT3
904F*	11"W x 11"D x 12"H	5.75" diam.	LT4
984F*	16"W x 16"D x 12"H	5.75" diam.	LT4
4904	11"W x 11"D x 8.5"H	11" x 11"	LT3*
7324	8"W x 8"D x 8.25"H	8" x 8"	LT2
SC1212	15"W x 15"D x 8"H	15" x 15"	MED2

LT2/LT3/LT4: Candelabra socket; 60 watt max. MED/MED2: Medium socket; 60 watt max.
 LT3*: Candelabra socket; 40 watt max.

Damp/*Dry



9732 pictured

Finish: AB, DAB, DB, VG, AC
Glass: CLR, CSG, SMG, FST

FOYER HANGING



9722*
with MED



6832
CLR



9732*
with LT904



6812
CLR

Item	Measurements	Mounting Area	Chain	Socket
6812	7.75"W x 7.75"D x 14"H	5" diam	36"	LT2
6832	12.75"W x 12.75"D x 24"H	5" diam.	36"	LT4
9722❖	12"W x 12"D x 18.75H	5" diam.	36"	LT2 / MED
9732❖	16"W x 16"D x 22.25"H	5" diam.	36"	LT4

MED: Medium socket; 75 watt max. LT3/LT4/LT6/LT8: Candelabra socket; 60 watt max. ❖: ships standard with no glass.



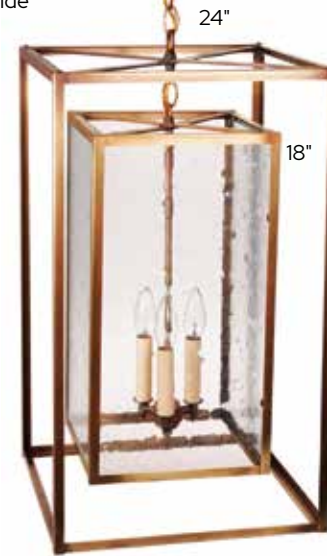
Handcrafted in the USA



ST1213 with AP10 pictured

FOYER HANGING

Outside: 14" x 14" x 24"
 Inside: 10" x 10" x 18"
 Glass on inside
 frame only.



SS1424
 CSG

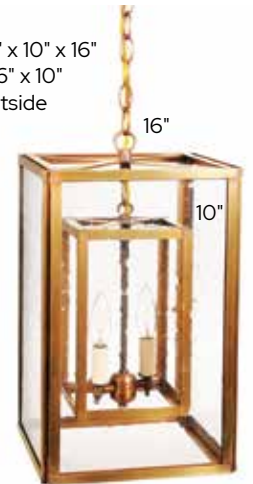
Finish: AB, DAB, DB, VG, AC
 Glass: CLR, CSG, SMG, FST

Outside: 12" x 12" x 20"
 Inside: 8" x 8" x 14"
 Glass on outside
 frame only.



SS1220
 CLR

Outside: 10" x 10" x 16"
 Inside: 6" x 6" x 10"
 Glass on outside
 frame only.



SS1016
 CSG



ST0812
 AP10



ST1415
 AP20



ST1213
 CLR

Item	Measurements	Mounting Area	Chain	Socket
SS1220	12"W x 12"D x 20"H	5" diam.	36"	LT3
SS1016	10"W x 10"D x 16"H	5" diam.	36"	LT2
SS1424	14"W x 14"D x 24"H	5" diam.	36"	LT3
ST1213	13"W x 13"D x 13"H	5" diam.	36"	MED/LT2
ST0812-AP10	12"W x 12"D x 12"H	5" square		MED/LT2
ST1415-AP20	15"W x 15"D x 15"H	5" square		LT2

MED: Medium socket; 75 watt max. LT2/LT3: Candelabra socket; 60 watt max



Handcrafted in the USA





3317 and 3312 pictured

HEAL

Finish: AB, DAB, DB, VG, AC
Glass: CLR, CSG, SMG, FST

See **Appendix** on page 101
 for all size options



Item	Measurements	Mounting Height	Mounting Area	Socket
3317	6"W x 8.5"D x 16"H	12"	4.5" x 5.75"	MED
3332*	8"W x 8"D x 18"H	36" chain	5" diam.	MED / LT2
3333	8"W x 8"D x 21"H		3" fitter	CIM / LT2
3337	8"W x 11.75"D x 20.5"H	14"	4.5" x 5.75"	CIM / LT2
3353	10"W x 10"D x 25"H		3" fitter	CIM / LT3
3357	10"W x 13"D x 27"H	17"	4.5" x 5.75"	CIM / LT3

MED: Medium socket; 75 watt max. CIM: Medium base socket with clear glass hurricane chimney.
 LT2/LT3: Candelabra socket; 60 watt max.

Wet/*Damp

Handcrafted in the USA



Aged 6406 pictured

Item	Measurements	Mounting Height	Mounting Area	Socket
6406	8"W x 10.5"D x 21"H	11.25"	4.5" x 5.75"	LT2
6412*	10"W x 10"D x 23"H	36" chain	5" diam.	LT2
6416	10"W x 12.25"D x 28"H	15"	4.5" x 5.75"	LT2

Finish: AB, DAB, DB, VG, AC
Glass: CLR, CSG, SMG, FST

IMPERIAL

See **Appendix** on page 101
for all size options

23"
6412
SMG

21"
6406
CLR

30"
6423
CSG

28"
6416
CLR

26"
6417
CLR

31"
6418
CLR

Item	Measurements	Mounting Height	Mounting Area	Socket
6417	10"W x 12.5"D x 26"H	17"	4.5" x 5.75"	LT2
6418	10"W x 12.25"D x 31"H	18.5"	4.5" x 5.75"	LT2
6422* (see Appendix)	12"W x 12"D x 27"H	36" chain	5" diam.	LT2
6423	12"W x 12"D x 30"H		3" fitter	LT2

LT2/LT3: Candelabra base socket; 60 watt max

Wet/*Damp



9031 pictured



9253
CLR

Item	Measurements	Mounting Height	Mounting Area	Socket
8011	5.5"W x 5.25"D x 11"H	7"	5" x 6"	MED
8021	8"W x 7"D x 13"H	9"	7.5" x 8"	LT2
8031	7"W x 6.5"D x 16"H	9.5"	6" x 11"	LT2
8033	7"W x 6"D x 19"H	3" fitter	3" fitter	CIM / LT2



8021
CLR



8011
CLR

Finish: AB, DAB, DB, VG, AC
Glass: CLR, CSG, SMG, FST

LIVERY

See **Appendix** on page 101
for all size options



8033
CLR

8031
CLR

8011
CLR

9061
CLR

9031
CLR

9051
CLR

Item	Measurements	Mounting Height	Mounting Area	Socket
9031	7"W x 7.5"D x 16"H	11"	5" x 8"	CIM / LT2
9051	9"W x 9.75"D x 20"H	13.5"	7.5" x 10"	CIM / LT3
9061	12"W x 13"D x 24"H	16"	9" x 11.5"	CIM / LT3
9231 (see Appendix)	7"W x 7.5"D x 16"H	11"	5" x 8"	CIM / LT2
9251 (see Appendix)	9"W x 9.75"D x 20"H	13.5"	7.5" x 10"	CIM / LT3
9253	9"W x 9"D x 23"H		3" fitter	CIM / LT3

MED: Medium socket; 75 watt max. CIM: Medium base socket with clear glass hurricane chimney
LT2/LT3: Candelabra socket; 60 watt max.

90 item numbers will not feature H rods.
92 item numbers will feature H rods.





8131 pictured

Finish: AB, DAB, DB, VG, AC
Glass: CLR, CSG, SMG, FST

LYNN

See **Appendix** on page 101
 for all size options



8141
CLR



8143
CLR

Item	Measurements	Mounting Height	Mounting Area	Socket
8131 (see Appendix)	8"W x 7"D x 20.5"H	16.5"	7" x 7.5"	CIM / LT2
8133 (see Appendix)	8"W x 6.5"D x 19.5"H		3" fitter	CIM / LT3
8141	9.5"W x 8.5"D x 25"H	19.5"	8" x 11"	CIM / LT2
8143	9.5"W x 8"D x 24"H		3" fitter	CIM / LT3

CIM: Medium base socket with clear glass hurricane chimney. LT1/LT2/LT3: Candelabra socket; 60 watt max.

Wet/*Damp 

 Handcrafted in the USA



7527 pictured

Finish: AB, DAB, DB, VG, AC
Glass: CLR, CSG, SMG, FST

MIDTOWN

See **Appendix** on page 101
 for all size options



7521
CSG

7511
CSG



7527
CLR

7517
CLR

7537
CLR

Item	Measurements	Mounting Height	Mounting Area	Socket
7511	7.5"W x 4.75"D x 12"H	6"	6.5" x 10.75"	MED
7521	9.5"W x 6.25"D x 15"H	7.75"	8.5" x 13.75"	MED
7517	7.25"W x 10.5"D x 14.5"H	3"	4.75" x 5.5"	MED
7527	9.25"W x 13"D x 18.25"H	4"	4.75" x 6.5"	LT2 / MED
7537	10.5"W x 15.25"D x 22"H	4"	4.75" x 6.5"	LT2 / LT3 / MED

MED: Medium socket; 75 watt max. LT2/LT3: Candelabra socket; 60 watt max.





351 pictured

NAUTICAL

Finish: AB, DAB, DB, VG, AC
Glass: CLR, CSG, SMG, FST

See Appendix on page 102
for all size options



3532 ◊
CSG



3511 ◊
FST



3531 ◊
FST



3533 ◊
CLR



351B
FST



351
CSG

Item	Measurements	Mounting Height	Mounting Area	Socket
351	6.75"W x 4.75"D x 12.5"H	6.25"	6.75"W x 12.5"H	MED
351B	6.75"W x 4.75"D x 12.5"H	6.25"	6.75"W x 12.5"H	MED
3511 ◊	5.5"W x 7.5"D x 10.5"H	5.25"	4.25"W x 5.75"H	MED
3512* ◊ (see Appendix)	5.5"W x 5.5"D x 10.5"H	36" chain	5" diam.	MED
3531 ◊	8.25"W x 10.5"D x 17.5"H	9"	4.25"W x 9"H	LT2 / MED
3532* ◊	8.25"W x 8.25"D x 18.5"H	36" chain	5" diam.	LT2 / MED
3533◊	8.25"W x 8.25"D x 22"H		3" fitter	LT3 / MED

MED: Medium socket; 75 watt max. LT2/LT3: Candelabra socket; 60 watt max. ◊: Available in brass finishes only

Wet/*Damp

Handcrafted in the USA

PENDANTS



Item	Measurements	Mounting Area	Socket
ST1213-AP10*❖	13"W x 13"D x 13"H	5" square	MED
ST1216-AP10*❖	16"W x 16"D x 16"H	5" square	MED
ST0812-AP10*❖	12"W x 12"D x 12"H	5" square	MED
2012-AP10	7"W x 7"D x 8.5"H	5.75" diam.	MED
2522-AP10	9"W x 9"D x 9.5"H	5.75" diam.	MED
3422-AP10	9.75"W x 10.5"D x 8"H	5.75" diam.	MED
3442-AP10	14"W x 14"D x 10.5"H	5.75" diam.	MED

MED: Medium socket; 75 watt max. ❖: Arrives standard with no glass.



PENDANTS

HOW TO ORDER

1. Choose your:

- Fixture:** 2012
- Finish:** DB
- Socket:** MED
- Glass:** OPT



2. Choose your:

- Length**
- AP10:** 13.5" - 21.5"
- AP20:** 23.5" - 41.5"

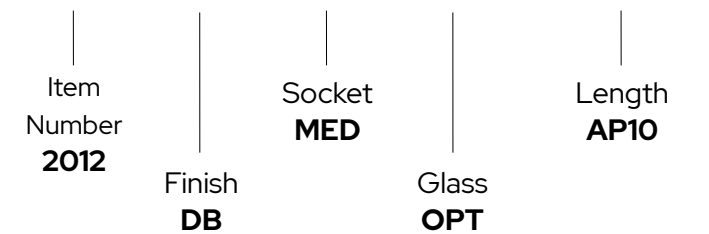
Canopy Specifications: 5.75" diameter



3. Finished order: **2012-DB-MED-OPT-AP10**

4. Place your order: orders@northeastlantern.com

BREAKDOWN OF YOUR PENDANT ORDER 2012 - DB - MED - OPT - AP10





5541 pictured

SHARON

Finish: AB, DAB, DB, VG, AC
Glass: CLR, CSG, SMG, FST

See Appendix on page 103
for all size options



5542
CLR



5531
CLR



5553
CLR



5543
CLR

5553
CLR

5531
CLR

5551
CLR

5541
CLR

Item	Measurements	Mounting Height	Mounting Area	Socket
5531	8"W x 8.5"D x 17"H	12"	5" x 7.5"	LT2
5541	10"W x 10.5"D x 21"H	15"	8" x 11"	LT2
5542*	10"W x 10"D x 22"H	36" chain	5" diam.	LT2
5543	10"W x 10"D x 25"H		3" fitter	CIM / LT3
5551	12"W x 12.5"D x 26"H	18"	10" x 13"	LT2
5553	12"W x 12"D x 29.5"H		3" fitter	CIM / LT3

CIM: Medium base socket with clear glass hurricane chimney; 75 watt max. LT2/LT3: Candelabra socket; 60 watt max

Wet/*Damp 

 Handcrafted in the USA



7658 pictured



7632
CSG

Finish: AB, DAB, DB, VG, AC
Glass: CLR, CSG, SMG, FST

STANFIELD

See **Appendix** on page **103**
for all size options



27"

7638
SMG



28"

7643
SMG



13"

7611
CLR



33"

7653 Ψ
CLR



18"

7631
CLR

Item	Measurements	Mounting Height	Mounting Area	Socket
7611	7"W x 9.75"D x 13"H	9.5"	4.5" x 7"	MED / LT2
7631	9"W x 11.5"D x 18"H	13"	4.5" x 9.5"	MED / LT2
7632*	9"W x 9"D x 18"H	36" chain	5" diam.	MED / LT2
7637 (see Appendix)	9"W x 11.5"D x 23"H	16"	4.5" x 5.75"	MED / LT2
7638	9"W x 11.5"D x 27"H	16"	4.5" x 5.75"	MED / LT2
7641 (see Appendix)	13"W x 15"D x 24"H	16"	4.5" x 13"	MED / LT2
7643	13"W x 13"D x 28"H		3" diam.	LT3
7653 Ψ	15"W x 15"D x 33"H		3" fitter	CIM / LT3
7658	15"W x 17.5"D x 40"H		4.5" x 5.75"	CIM / LT3

MED: Medium socket; 75 watt max. CIM: Medium base socket with clear glass hurricane chimney.
LT2/LT3: Candelabra socket; 60 watt max

Ψ: standard Spider included with fixture. See page **94** for more **Spider** information.

Wet/*Damp 



Handcrafted in the USA

1-800-892-1206 | www.northeastlantern.com | 87



10527 pictured

Finish: AB, DAB, DB, VG, AC
Glass: CLR, CSG, SMG, FST

UPTOWN



Item	Measurements	Mounting Height	Mounting Area	Socket
10517	4.75"W x 8.5"D x 10.5"H	3"	4.75" x 5.5"	MED
10527	5.5"W x 9"D x 17.5"H	4.25"	5" x 6.75"	MED
10547	5.5"W x 9"D x 21.75"H	4.25"	5" x 6.75"	MED

MED: Medium socket; 75 watt max.



Handcrafted in the USA



2237 and 2242 pictured

Finish: AB, DAB, DB, VG, AC
Glass: CLR, CSG, SMG, FST

UXBRIDGE

See **Appendix** on page **103**
 for all size options



Item	Measurements	Mounting Height	Mounting Area	Socket
2231	8"W x 6.5"D x 17"H	11.5"	6" x 7"	CIM / LT2
2237	10.75"W x 9.25"D x 22.5"H	11"	4.5" x 5.75"	MED / LT2
2241	10"W x 7.5"D x 21"H	14"	8" x 9"	CIM / LT2
2242*	10.75"W x 10.75"D x 20"H	36" chain	5" diam.	LT2
2243 (see Appendix)	10.75"W x 10.75"D x 23"H		3" fitter	CIM / LT3
2247 (see Appendix)	10.75"W x 12.5"D x 22.5"H	12.5"	4.5" x 5.75"	LT3
2253 (see Appendix)	15.25"W x 15.25"D x 28.5"H		3" fitter	CIM / LT3

MED: Medium socket; 75 watt max. CIM: Medium base socket with clear glass hurricane chimney
 LT2/LT3: Candelabra socket; 60 watt max

Handcrafted in the USA

Wet/*Damp

WOODCLIFFE

Finish: AB, DAB, DB, VG, AC
Glass: CLR, CSG, SMG, FST

See Appendix on page 103
for all size options



Item	Measurements	Mounting Height	Mounting Area	Socket
8311	5"W x 5.75"D x 13"H	9.5"	5" x 5.5"	LT1 / MED
8312* (see Appendix)	5"W x 5"D x 13"H	36" chain	5" diam.	MED
8331	6"W x 6.75"D x 17"H	12.5"	5.5" x 7.5"	LT2
8332*	6"W x 6"D x 17"H	36" chain	5" diam.	LT2 / MED
8341	7"W x 7.75"D x 19"H	14"	6" x 9.5"	CIM / LT2
8351	8"W x 8.75"D x 22.5"H	15.5"	7.25" x 10.75"	CIM / LT2
8352* (see Appendix)	8"W x 8"D x 22.5"H	36" chain	5" diam.	LT3
8353	8"W x 8"D x 26"H		3" fitter	CIM / LT3

CIM: Medium base socket with clear glass hurricane chimney. MED: Medium socket; 75 watt max.

LT1/LT2/LT3: Candelabra socket; 60 watt max.



YORK

Finish: AB, DAB, DB, VG, AC
Glass: CLR, CSG, SMG, FST

See Appendix on page 103
for all size options



Item	Measurements	Mounting Height	Mounting Area	Socket
7011 / 7111	5"W x 5.75"D x 14.5"H	12"	4.5" x 4.5"	MED
7012 / 7112* (see Appendix)	5"W x 5"D x 11"H	36" chain	5" diam.	MED
7031 / 7131	6"W x 6.75"D x 19"H	15"	5.5" x 7"	LT2 / MED
7041 / 7141	7"W x 7.75"D x 23"H	18"	6.5" x 9"	LT2 / MED
7042 / 7142*	7"W x 7"D x 19"H	36" chain	5" diam.	LT2 / MED
7051 / 7151	8"W x 8.75"D x 27"H	21.5"	7" x 11"	CIM / LT2
7053 / 7153	8"W x 8"D x 25"H		3" fitter	CIM or LT3

CIM: Medium base socket with clear glass hurricane chimney. MED: Medium socket; 75 watt max.
LT2/LT3: Candelabra socket; 60 watt max.

70 item numbers will feature X bars. 71 item numbers will feature H bars.



ACCESSORIES

SPIDERS

Pier Mount Spider: 15"x 15"



Optional with:
1033, 1043,
1253, 7653.
Ships separately.



Pipe Spider: 15"x 15"



Optional with:
1033, 1043,
1253, 7653.
Ships separately.



Standard Spider: 15"x 15"



Standard with:
1033, 1043,
1253, 7653.
Optional with:
1073, 1273.
Ships separately.



FROSTED CHIMNEY



Bulb Type: MED

PENDANTS

Adjustable Lengths

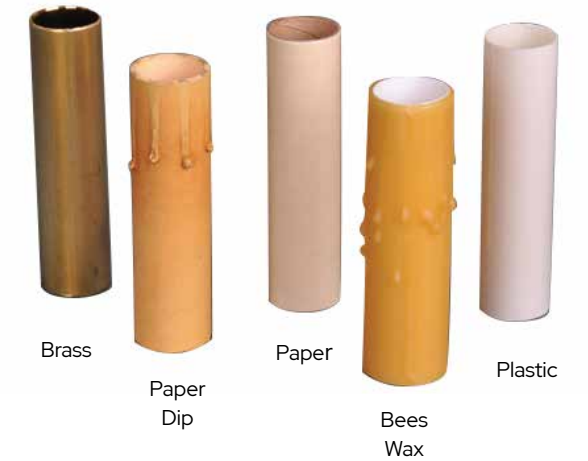


Canopy



5.75"
diameter

CANDLE SLEEVES



PIER MOUNTS



PMO1
Pier Mount
5" W x 5" D x 3" H



PMO3
Scroll Pier Mount
(brass only)
8" W x 8" D x 12" H



CAPM
Cast Aluminum Pier Mount
(epoxy supplied)
3 3/8" flange x 3" fitter x 1 3/4" H

HOW TO ORDER

1. Look for the **item number**
2. Pick a **finish**
Refer to each collection for specific finish options



AB Antique Brass **DAB** Dark Antique Brass **DB** Dark Brass **VG** Verdi Gris **AC** Antique Copper

3. Select your **socket** type
MED = medium base socket
CIM = medium base socket with clear chimney,
LT2 = 2 candelabra, LT3 = 3 candelabra, LT4 = 4 candelabra

4. Indicate type of **glass**

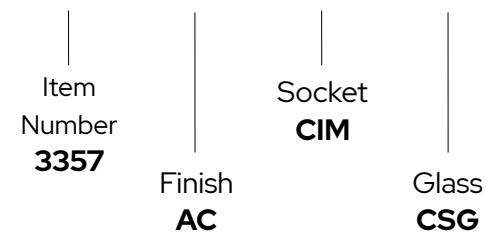


CSG Clear Seedy **SMG** Seedy Marine **FST** Frosted **CSG** Clear Seedy **OPT** Optic

5. Place your **order**: orders@northeastlantern.com

BREAKDOWN OF YOUR FIXTURE ORDER

3357 - AC - CIM - CSG



CUSTOM LANTERNS



All of the fixtures we manufacture are crafted by hand from start to finish. By working directly with our **Custom Team**, we can make a special design unique to you and your client or a simple modification of an existing light fixture.

With your image, sketch and dimensions in mind you can visit our **Custom Lighting** page on our website. Complete the **Custom Quote Request** form and submit your project needs directly to our **Custom Team**. Please allow for 24 - 48 hours for a response or quote return.



Email: custom@northeastlantern.com

Our business hours are:
Monday - Friday: 7:00am - 4:30pm



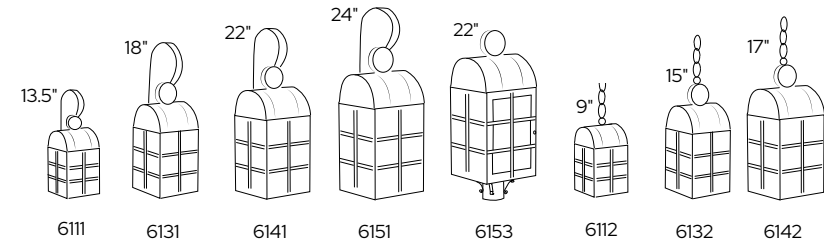
INDEX

351	18, 81	1223	52	2572	31	3456	41	5653	45	7511	79	8933	63	11221	11	CH908	59
351B	18, 81	1623	53	2573	33	3511	81	5653P	45	7517	79	8933P	63	11231	11	PM01	20
351W	18	2000		2721	51	3512	81	5711	45	7521	79	8953	63	11232	11	PM03	95
903	57	2011	29	2731	51	3531	81	5721	21, 45	7527	79	8953P	63	11311	17	SC1212	65
903F	65	2012-AP10	82	2741	51	3532	81	5751	45, 47	7537	79	8961R	8	11312	17	SS1016	69
904	57	2015	29	2742	51	3533	81	6000		7611	87	8971	9	11321	17	SS1220	69
904F	65	2021	29	2743	51	4000		6011	49	7631	87	8983	8	11322	17	SS1424	69
906	55	2024	31	2831	35	4104	21, 64	6032	49	7632	87	8991R	9	11331	17	ST0812-AP10	69, 82
908	55	2025	29	2843	37	4204	21, 64	6111	49	7638	87	9000		11332	16	ST1213	69, 82
912	55	2031	29	2851	35	4304	64	6131	49	7643	87	9031	75	11333	17	ST1213-AP10	68, 82
916	55	2041	29	2852	102	4314	64	6132	100	7653	87	9051	75	11631	13	ST1216-AP10	82
929-CRY	56	2042	102	2853	37	4404	64	6141	49	7658	86	9061	75	11641	13	ST1415-AP20	69
939	58	2043	33	2862	35	4404W	18	6151	49	8000		9253	74	11651	13	WC975	18
940	56	2217	59	2863	37	4414	64	6153	49	8011	75	9722	67	11653	13		
959-CRY	56	2231	91	3000		4504	64	6406	73	8011VG	75	9732	67	11711	15	Accessories	94
969	58	2237	91	3317	21, 71	4604	64	6412	73	8021	75	10000		11732	15	Candles	95
982	58	2241	91	3332	71	4904	65	6416	73	8031	75	10517	21, 89	11741	15	Custom	97
983	57	2242	90	3333	71	5000		6417	73	8033	75	10527	21, 89	11753	15	Finish Options	22
983-V	57	2511	20, 27	3337	21, 71	5531	85	6418	73	8131	76	10547	89	11821	14	Frosted	94
984	57	2512	31	3353	71	5541	85	6423	73	8141	77	10611	61	11822	14	Glass Options	22
984F	65	2514	31	3357	71	5542	85	6812	67	8143	77	10621	61	11841	14	Guarantee	5
1000		2515	27	3411	20, 39	5543	85	6832	67	8311	92	10641	61	11843P	14	How to Order	96
1001	53	2521	20, 27	3421	20, 39	5551	85	7000		8331	92	10722	61	11921	19	Pendent Order	83
1011	53	2522-AP10	82	3422	39	5553	85	7011	93	8332	92	10742	61	11931	19	Pier Mounts	95
1012	52	2524	31	3422-AP10	39, 82	5611	21, 45	7031	93	8341	92	10743P	61	11941	19	Quick Ship	20, 21
1023	53	2525	27	3426	41	5621	21, 45	7042	93	8351	92	11000		11942	19	Spiders	94
1033	52	2531	20, 27	3429	41	5631	47	7051	93	8353	92	11011	43	11953	19		
1043	52	2533	33	3441	20, 39	5632	45	7053	93	8811	21, 63	11012-AP10	43	CAPM	20, 95		
1061	53	2541	20, 27	3442-AP10	39, 82	5633P	47	7131	93	8831	21	11016	43	CH901	59		
1063	52	2542	27	3446	41	5643	20	7141	93	8851	63	11021	43	CH902	59		
1073	52, 53	2543	20, 33	3449	41	5651	45	7151	93	8931	63	11026	43	CH904	59		
1113	52	2571	27	3451	39	5652	47	7324	65	8932	63	11211	11	CH906	59		

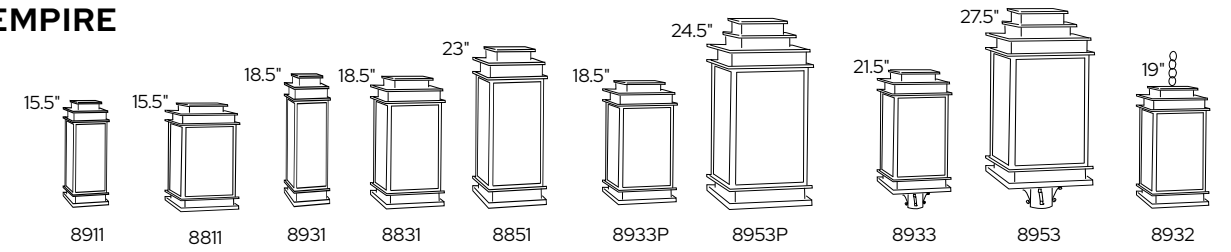


APPENDIX

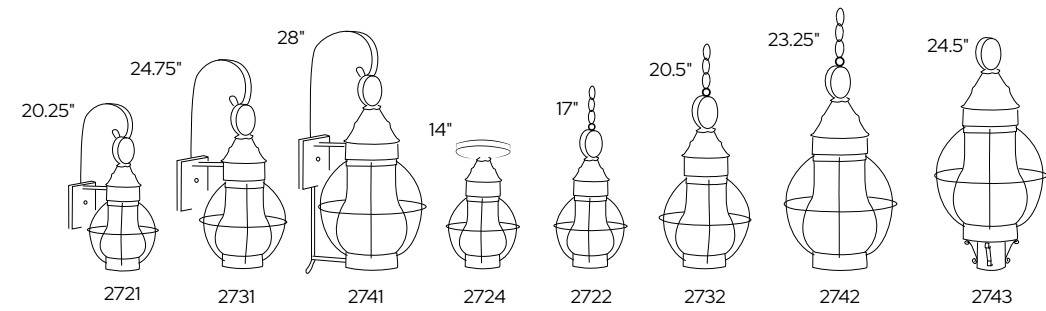
ADAMS



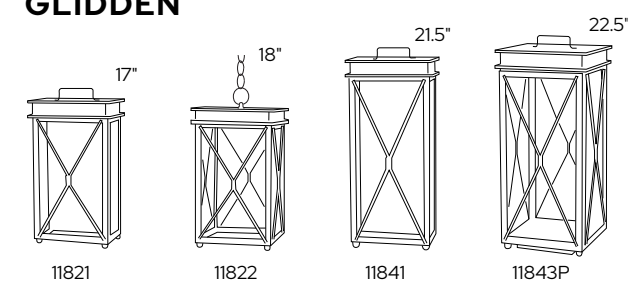
EMPIRE



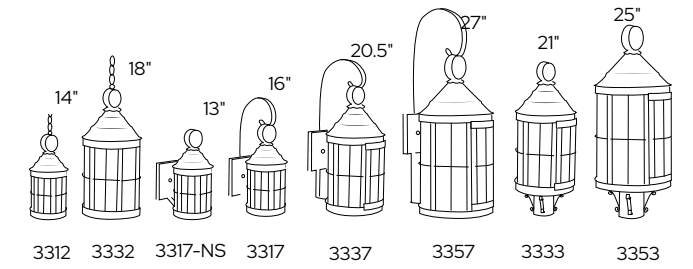
BOSC



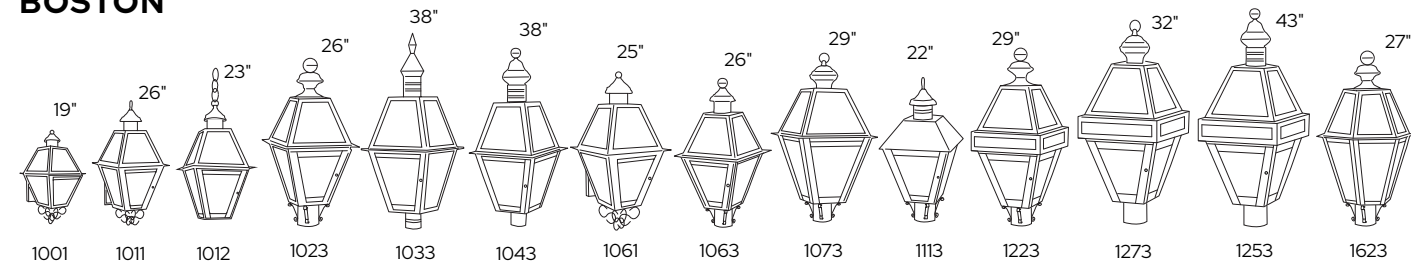
GLIDDEN



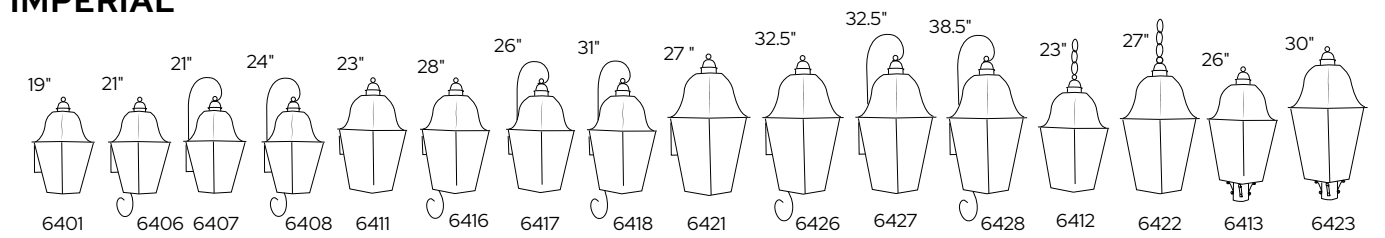
HEAL



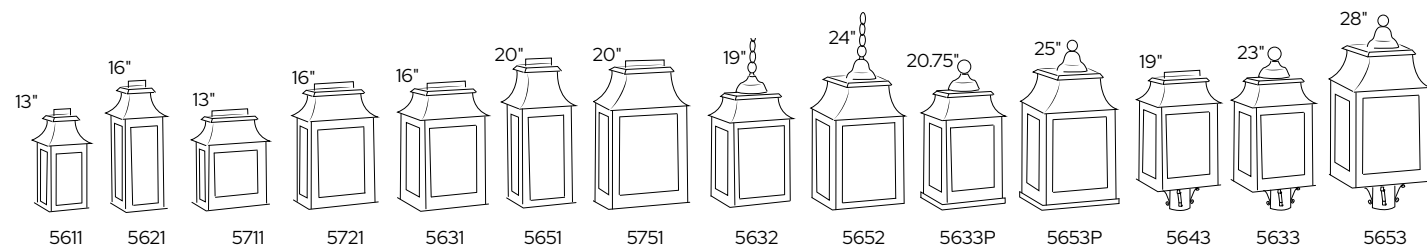
BOSTON



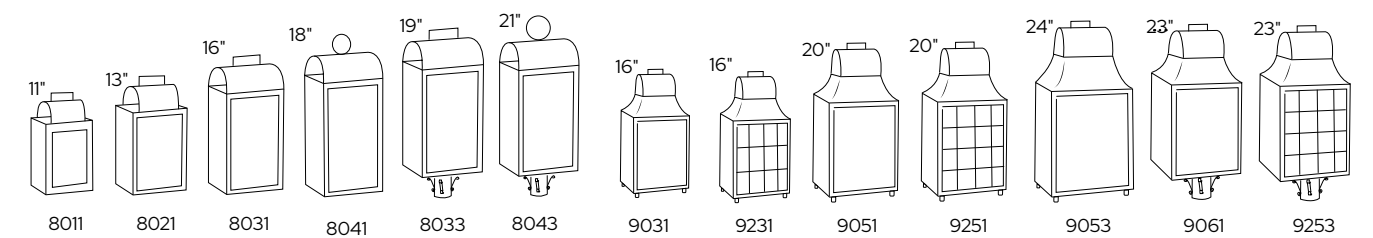
IMPERIAL



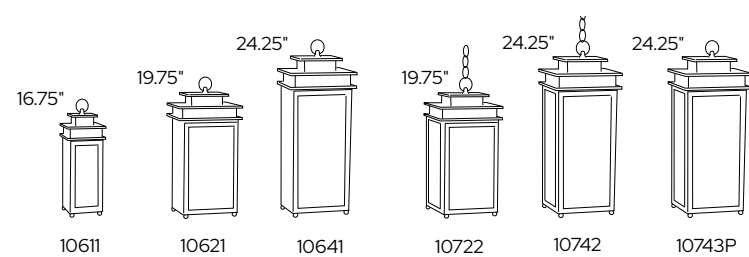
CONCORD



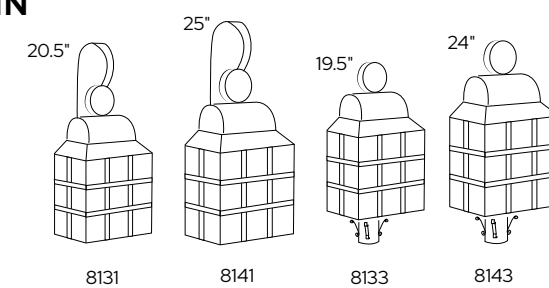
LIVERY



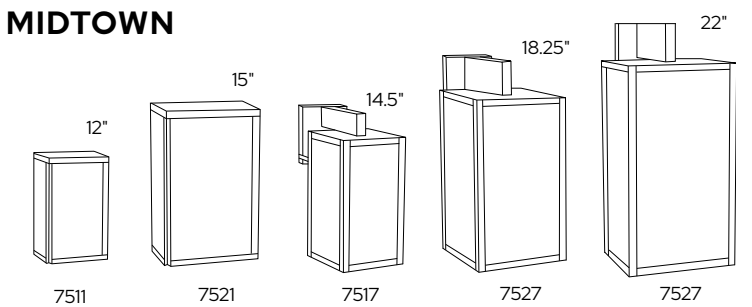
ELLIS



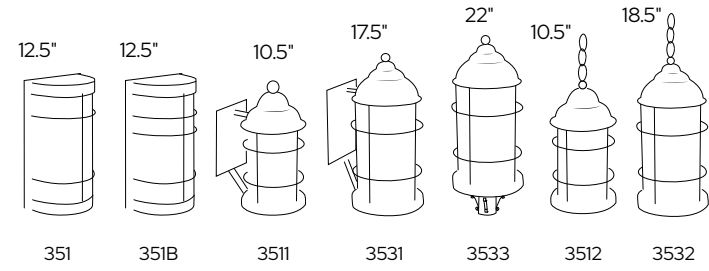
LYNN



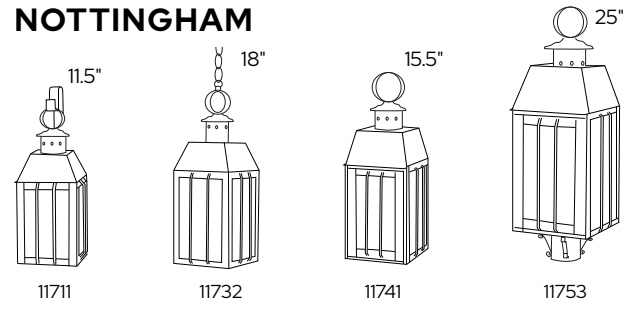
MIDTOWN



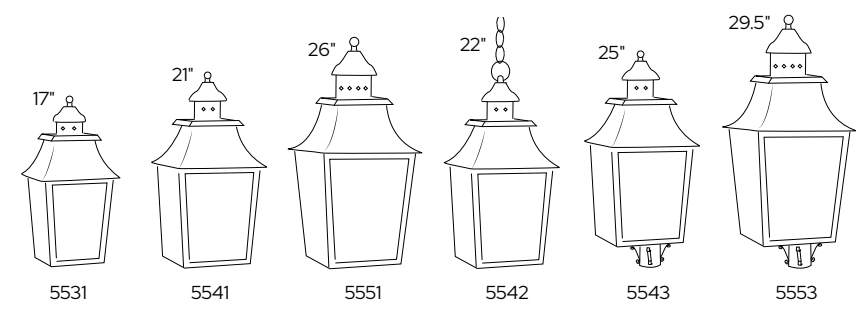
NAUTICAL



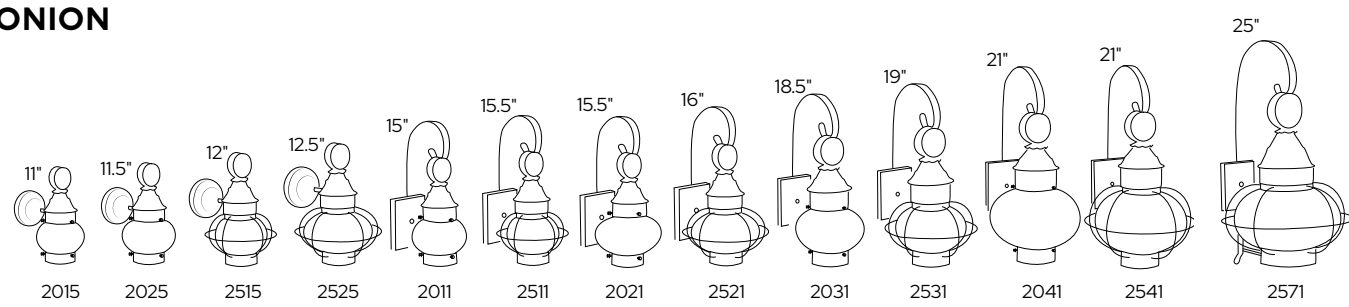
NOTTINGHAM



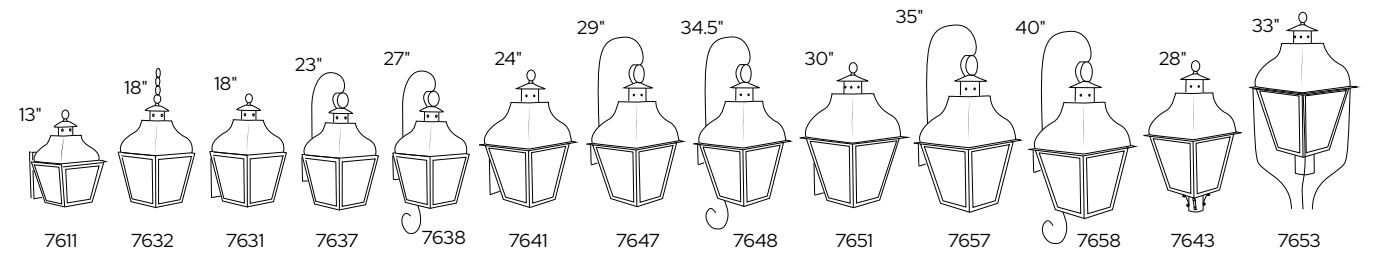
SHARON



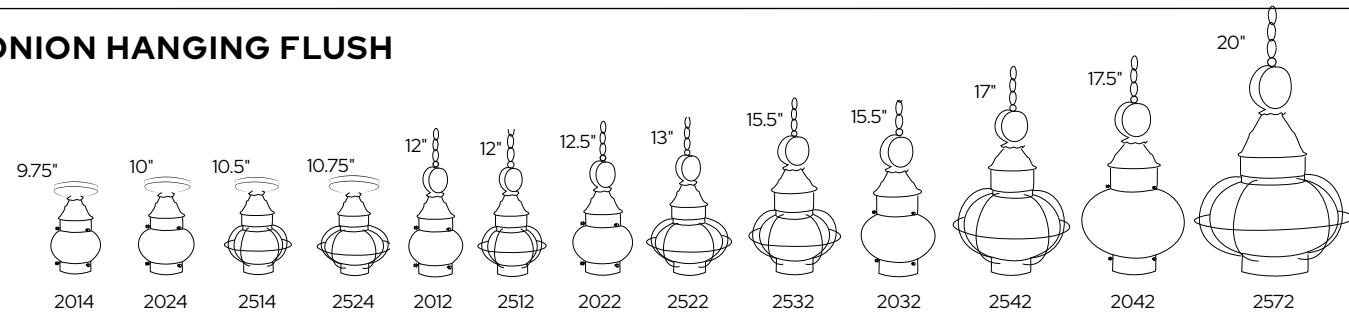
ONION



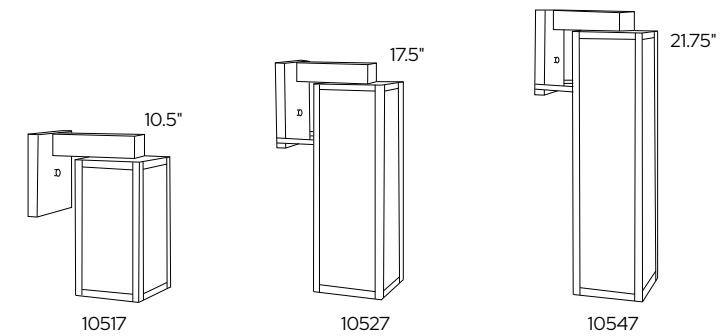
STANFIELD



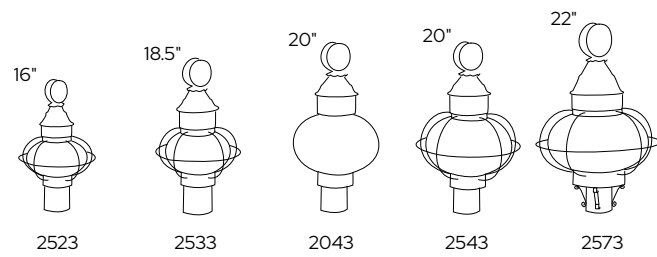
ONION HANGING FLUSH



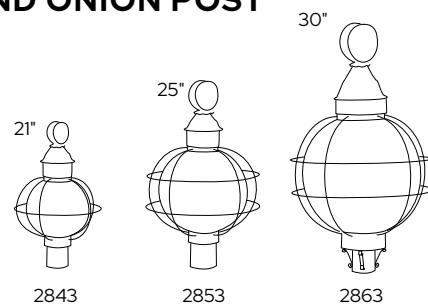
UPTOWN



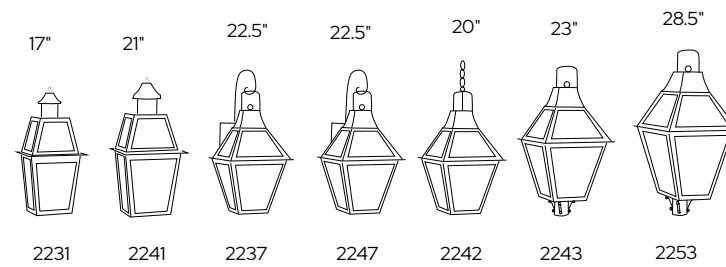
ONION POST



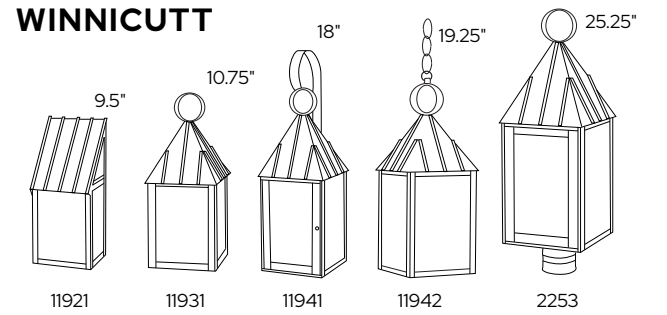
ROUND ONION POST



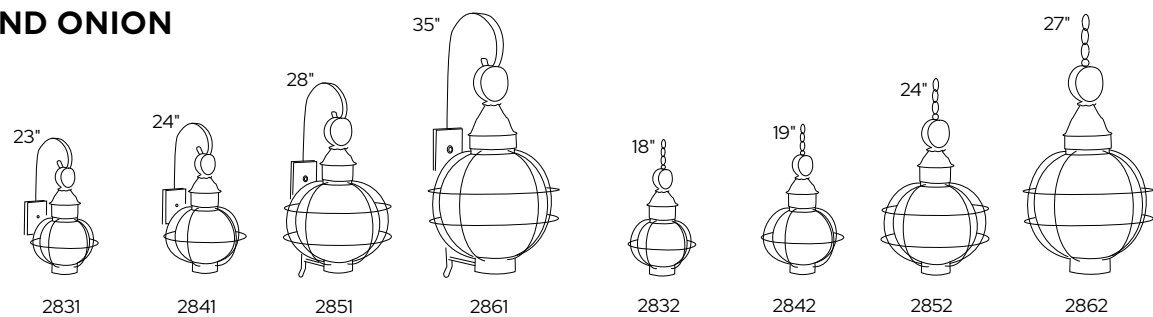
UXBRIDGE



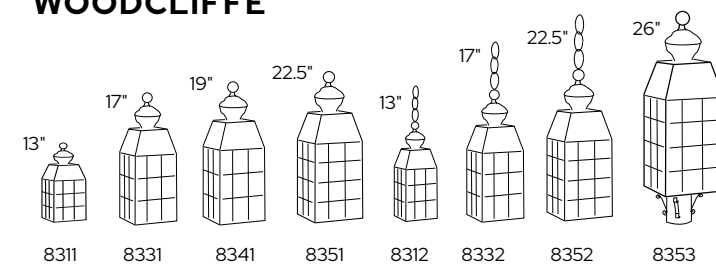
WINNICUTT



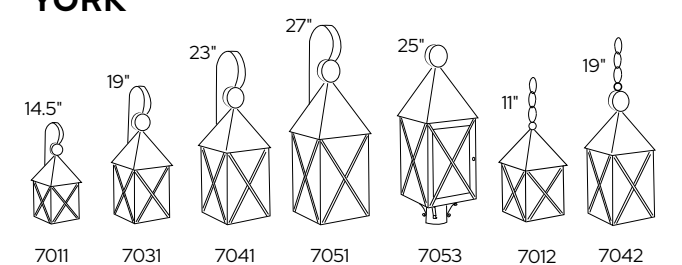
ROUND ONION



WOODCLIFFE



YORK





NORTHEAST — LANTERN® —

Solid Brass and Copper Light Fixtures Handcrafted in the USA.

6 Commerce Way | Exeter, New Hampshire 03833

1-800-892-1206

WWW.NORTHEASTLANTERN.COM

info@northeastlantern.com

Volume 21
2022 Catalog

