



[www.winemate.com](http://www.winemate.com)

## Duct Split Cooling System

### *Installation, Operation & Care Manual*

**WM-2500SSHWC WM-4500SSHWC  
WM-6500SSHWC WM-8500SSHWC**



By *Vinotemp*

[www.vinotemp.com](http://www.vinotemp.com)

Read and save these instructions

## Important Safety Information

### WARNING:

- Do not use a ground fault interrupter (GFI).
- A dedicated 20 AMP circuit for WM-2500~4500SSHWC and 30 AMP for WM-6500~8500SSHWC are required.

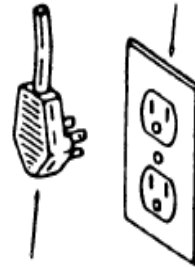
### WARNING



#### To avoid the risk of electrical shock, property damage, personal injury or death:

- The power cord must be plugged into a 3-prong grounding-type wall receptacle, grounded in accordance with the National Electrical Code, ANSI/NFPA 70 - latest edition and local codes and ordinances.
- It is the personal responsibility of the consumer to have a proper 3-prong wall receptacle installed by a qualified electrician.
- DO NOT, UNDER ANY CIRCUMSTANCES, REMOVE THE POWER CORD GROUNDING PRONG.
- A separate adequately fused and grounded circuit should be available for this appliance.
- Do not remove any grounding wires from individual components while servicing, unless the component is to be removed and replaced. *It is extremely important to replace all grounding wires when components are replaced.*

GROUNDING TYPE  
WALL RECEPTACLE



POWER SUPPLY CORD  
WITH 3-PRONG  
GROUNDING PLUG

### WARNING

#### ELECTRIC SHOCK HAZARD



- Disconnect electric supply from appliance before servicing.
- Replace all panels before operating.
- Failure to do so could result in death or electrical shock.

# Table of Contents

**Cellar Construction.....3**

**Features & Specifications.....4**

**Temperature & Humidity.....6**

**Care Guide.....10**

**User' Troubleshooting.....11**

**Installer's Instructions.....15**

**Electrical Wirings.....25**

**Customer Support.....27**

**Warranty.....28**

## Cellar Construction

This is only a guide and shall be considered as minimum requirements.

All interior walls and floors shall have a vapor barrier and a minimum of R13 insulation. All exterior walls and ceiling shall have a vapor barrier and a minimum of R19 insulation. The vapor barrier shall be installed on the warm side of the insulation. All joints, door frames, electrical outlets or switches and any pipes or vents that go through the cellar shall be sealed to prevent air and moisture leakage into the cellar. Concrete, rock, and brick are not insulation or vapor barriers.

Doors shall be of a minimum size, insulated to at least R13 and tightly sealed with high quality weather stripping. Be sure to seal the bottom of the door and fill gap between the door's frame and wall before installing the cap molding.

In order to maintain 55 °F in the wine cellar, the ambient temperature surrounding the enclosure shall not exceed the temperature of the cellar by more than 25 °F. No cellar wall shall receive direct sun or strong wind.

Lighting shall be of low wattage, with a timer to insure lights are not left on when the cellar is not occupied.

The cooling system will not be able to maintain the proper temperature if fresh moisture-laden air is constantly being introduced to the cellar. Symptoms of this condition are; cooling unit runs all the time with only a slight reduction in temperature and/or water overflows from the unit. Because of the temperature difference between the inside and outside, very small cracks can allow large amounts of outside air to enter into the cellar. Please be aware that moisture can pass through solid concrete, paint and wood. Often a newly constructed cellar contains fresh wood, paint, concrete and other building materials. These materials contain large amounts of moisture. When placed into operation in this type of environment, the system will work harder to remove this extra moisture resulting in increased "run" time.

## Features and Specifications

- Wine-Mate duct split cooling systems WM-2500~8500SSHWC are designed and used to provide a cold temperature between 50~65 °F for a properly insulated wine cellar.
- The wine cellar will maintain humidity range within 50~70% RH.
- These temperature and humidity ranges like in natural caves are optimized for long term storage of wine.
- SSHWC units consist of a condensing unit and an evaporator unit; they are connected by a liquid line and an insulated suction line.
- SSHWC condensing units can be located away from the evaporator unit 50 ft so that noise and compressor vibration are isolated.
- SSHWC condensing units are water cooled so that exhaust ventilation is not needed.
- SSHWC evaporator units are designed to provide chilled air to wine a cellar through ducts and can be located up to 25 ft away to reduce noise. It also provides more installation flexibility.

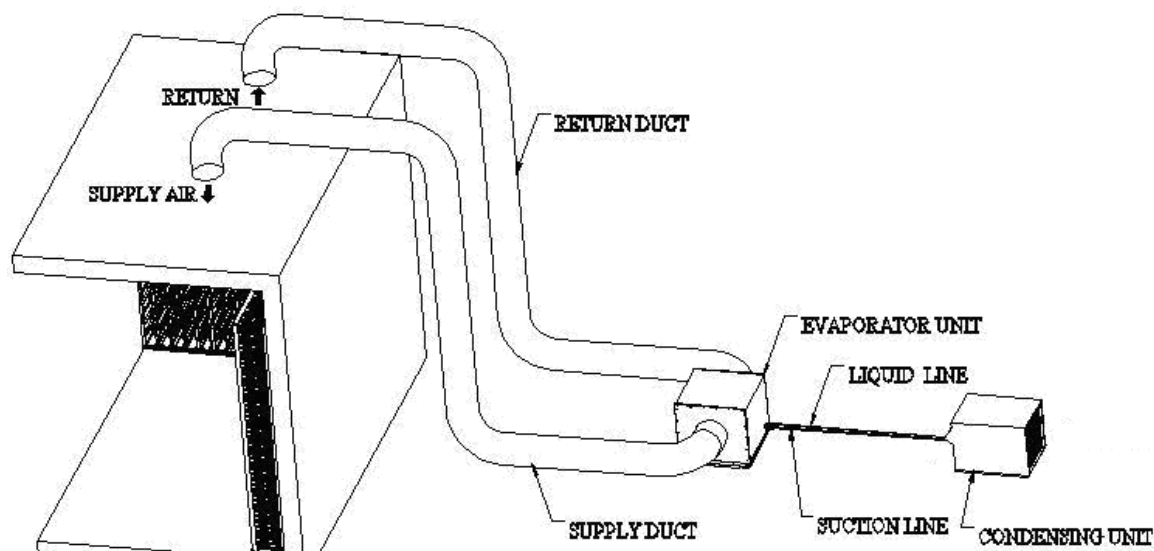


Fig. 1 SSHWC Duct Split Cooling System

**NOTE:**

Capacity is determined under the cellar, the cellar ambient and the condenser inlet water temperatures of 55°F, 75°F and 75°F, with R13 interior and R19 exterior insulations. Any higher ambient and water temperatures, lower insulations will cause reducing capacity and the cellar temperature may not be maintained at 55°F.

**NOTE:**

To prepare rough-in, leave minimum 4" clearances for electrical wiring and refrigeration piping.

The specifications and dimensions are listed as follows:

Model No	Evap Unit L"xW"xH"-S"	Cond Unit L"xD"xH"	Btu/h CFM	Cellar Size (cu ft)	Refrigerant	Electrical Evap Unit/ Cond Unit	Weight (lb) Evap Unit/ Cond Unit
WM-2500SSHWC	WM-25SFCH 22.5x15.875 x14.375-11	WM-250SCU- WC 24x18x18	2500 220	250	R134a	115V-60HZ-0.8A 115V-60HZ-5.7A	35/40
WM-4500SSHWC	WM-45SFCH 25.125x22.875 x16.375-18	WM-450SCU- WC 24x18x18	4500 380	1000	R134a	115V-60HZ-1.8A 115V-60HZ-6.9A	45/60
WM-6500SSHWC	WM-65SFCH 25.125x22.875 x20.375-18	WM-650SCU- WC 24x18x18	6500 490	1500	R134a	115V-60HZ-1.8A 115V-60HZ-12A	55/90
WM-8500SSHWC	WM-85SFCH 27.125x22.875 x22.375-18	WM-850SCU- WC 24x18x18	8500 750	2000	R134a	115V-60HZ-2.1A 115V-60HZ-15A	65/115

Also see Fig. 3, 4 & 5 for further info.

# Temperature and Humidity

## 1. The controller



**Fig. 2 TEMPERATURE CONTROLLER**

### 1) Keys

**SET:** To display set-point; in programming mode it selects a parameter or confirms an operation.

: To start a manual defrost.

: To see the maximum stored temperature; in programming mode it browses the parameter codes or increases the displayed value.

: To see the minimum stored temperature; in programming mode it browses the parameter codes or decreases the displayed value.

: To turn on/off the power to the unit.

: To lock/unlock the keypad.

**SET+** : To enter in the programming mode.

**SET+** : To return to the temperature display.

### 2) Lock and unlock the keys

To lock the keys, press up + down keys until POF is displayed; to unlock the keys, press up + down keys until PON is displayed.

### 3) Display

During normal operating conditions, the display shows the value measured by the air temperature probe. In case of active alarm, the temperature flashes alternately to the code alarm. The LED functions are listed as follows.

LED	MODE	FUNCTION
	ON	Compressor enabled
	Flashing	Anti-short cycle enabled
	ON	Defrost cycle enabled
	ON	Fan enabled
	Flashing	Fan delay after defrost enabled
	ON	Alarm occurring
°C/°F	ON	Temperature measuring unit
°C/°F	Flashing	Programming mode

## 4) Alarm Signals

The alarm codes are described as follows.

MESSAGE	CAUSE	FUNCTION
P1	Temperature probe faulty	Compressor switching to Con and CoF
HA	High temperature alarm	Probe temperature ALU higher than the setting temperature; Outputs unchanged
LA	Low temperature alarm	Probe temperature ALL lower than the setting temperature; Outputs unchanged
CA	External alarm	All outputs off

Probe alarms P1”, start a few seconds after the fault in the related probe; they automatically stop a few seconds after the probe restarts normal operation. Check connections before replacing the probe. Temperature alarms “HA”, “LA” automatically stops as soon as the temperature returns to normal value. Alarm “CA” (with i1F=PAL) recovers only by switching off and on the instrument.



## 2. Temperature Setting

- Set the temperature at 55 °F for the optimum aging of wine
- On initial start-up, the time required to reach the desired temperature will vary, depending on the quantity of bottles, temperature setting and surrounding temperature.
- Allow 24 hours to stabilize the temperature for each new temperature setting operation

## 3. How to see temperature set-point


- 1) Press and immediately release the **SET** key, the display will show the set-point value.
- 2) Press again and immediately release the **SET** key to display the probe value.

## 4. How to change the set-point

- 1) Press and hold the **SET** key until the “°C” or “°F” LED starts flashing and the set-point is displayed.
- 2) Press the up/down keys / to change the set-point value within 10 sec.
- 3) Press the **SET** key again to store the new set-point value.




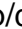



**NOTE:** The unit turns on at set-point **Set** plus regulation differential **Hy** after anti-short cycle **AC** has elapsed; the unit turns off at set-point **Set**.

## 5. Manual Defrost

Press and hold the defrost  key until defrost starts. The defrost indicator will be on.



## 6. Parameter Programming

- 1) Press and hold the **SET** +  keys until the “**C**” or “**F**” LED starts flashing, then release the keys.
- 2) Press and hold again the **SET** +  keys until the **Pr2** label is displayed, then release the keys. The first parameter **Hy** will be displayed.
- 3) Press up/down keys / to scroll to the required parameter within 10 sec.
- 4) Press the “**SET**” key to display its value.
- 5) Use up/down keys   to change its value within 10 sec.
- 6) Press “**SET**” to store the new value and the display will flash 3 times.
- 7) **To exit:** Press **SET** +  or wait 15sec without pressing a key.

PARAMETER	DESCRIPTION	DEFAULT VALUE
Set	set-point (°)	55
Hy	temperature regulation differential (°)	4
AC	anti-short cycle delay (min)	10
Con	compress on with probe faulty (min)	15
CoF	compress off with probe faulty (min)	30
CF	temperature unit (°F/ °C)	F: Fahrenheit
rES	display resolution	in: integer
dLy	temperature display delay (min)	1
ot	probe calibration (°)	0
LS	minimum set-point (°)	50
US	maximum set-point (°)	65
idF	defrost cycle interval time (hour)	12
MdF	defrost cycle endurance time (min)	30
ALC	temperature alarm type	rE: relative to set-point
ALU	high temperature alarm (°)	10
ALL	low temperature alarm (°)	10
AFH	alarm recovery differential (°)	5
ALd	temperature alarm delay (min)	60
dAO	temperature alarm delay on startup (hr)	23
SAA	heater set-point (°)	40
SHy	heater regulation differential (°)	4
FSU	fan action	Std
FnC	fan operating mode	C-n: on with compressor & off during defrost
Fon	fan on with compressor off (min)	0
FoF	fan off with compressor off (min)	15

**NOTE:** Depending on the controller, not all parameters are used.

## 7. How to calibrate the air probe

If the actual cellar temperature differs from the setting temperature, set parameter **ot** = actual cellar temperature minus set-point.

## 8. How to adjust defrost cycle

In case there is excessive frost, the parameters **FnC** = C-y, **idF** = 4 and **MdF** = 20 can be used to avoid frost.

### 9. How to adjust the humidity

The parameter **Fon** is used to adjust the humidity in the wine cellar. Higher **Fon** results in higher relative humidity. Use a separate hygrometer to monitor the humidity.

### 10. How to set alarm call

- 1) Speech notice will be sent to your phones when the cellar temperature is **ALU** higher or **ALL** lower than the set-point **Set**.
- 2) In order to test the call function, set parameters **Ald** = 0 and **dAO** = 0. After testing, set **Ald** = 60 and **dAO** = 23.


### 11. How to set low cellar temperature heater

The heater turns on at **SAA** minus **Shy**; the heater turns off at **SAA**.

#### NOTES:

- Use a forced air heater to warm up the wine cellar.
- If there is a thermostat on the heater, bypass it or set the thermostat at the highest level.  
If the heater runs more than 10 A current, use a 120VAC coil contactor.

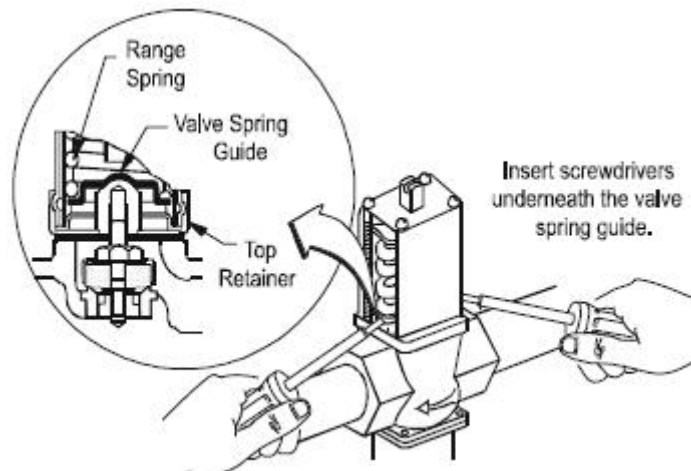
## Care Guide

<b>! WARNING</b>	
	<b>ELECTRIC SHOCK HAZARD</b> Disconnect the electrical power before servicing any components. Failure to do so can result in death or electrical shock.

In general, always unplug system or disconnect power while doing care.

### 1. Condenser Water Line Cleaning

- To clear any sediment that may accumulate, the water regulating valve may be manually flushed.
- Insert screwdrivers under both sides of the valve spring guide and lift upwards to flush.



### 2. Condensate Removing

- Remove the excessive condensate if it is accumulated in the wine cellar at high humidity conditions.

## User's Troubleshooting

This Troubleshooting Chart is not prepared to replace the training required for a professional refrigeration service person, not is it comprehensive.



Complaint	Possible Causes	Response
<b>1. Unit not running</b>	<ul style="list-style-type: none"> <li>a. Power cord not plugged</li> <li>b. No power from supply</li> <li>c. Incorrect or loose wirings</li> <li>d. Low voltage</li> <li>e. Setting higher than ambient temperature</li> <li>f. Waiting for cut-in</li> <li>g. Defrost light blinking</li> <li>h. Compressor light blinking</li> <li>i. Defective controller</li> </ul>	<ul style="list-style-type: none"> <li>a. Check power cord</li> <li>b. Check receptacle and fuses</li> <li>c. Check all wirings and connections</li> <li>d. Contact an authorized electrician</li> <li>e. Lower temperature setting</li> <li>f. Wait</li> <li>g. Unit is under defrost mode</li> <li>h. Unit is under anti-short cycle delay</li> <li>i. Call service for diagnosis</li> </ul>
<b>2. Unit not starting , but temperature rising high</b>	<ul style="list-style-type: none"> <li>a. Anti-short cycle</li> </ul>	<ul style="list-style-type: none"> <li>a. Reset AC</li> </ul>
<b>3. Temperature fluctuating</b>	<ul style="list-style-type: none"> <li>a. Air probe</li> </ul>	<ul style="list-style-type: none"> <li>a. When using an air probe, the wine bottle temperature is mainly controlled by the average air temperature. If the set-point is 55°F with the differential 4F, the cooling unit turns on at 59°F of air temperature (It may be higher than 59°F if it is in anti-short cycle or defrost cycle) and turns off at 55°F of air temperature. The average air temperature is 57°F, and then the wine temperature is around 57+/-0.5°F. The air is light enough to change so quickly that it maintains relatively constant average temperature that would prevent wine bottle temperature from fluctuating.</li> </ul>
<b>4. Temperature high, unit stopping and starting normally</b>	<ul style="list-style-type: none"> <li>a. Temperature setting high</li> </ul>	<ul style="list-style-type: none"> <li>a. Lower the setting</li> </ul>
<b>5. Temperature high, unit stopping and starting with short running time</b>	<ul style="list-style-type: none"> <li>a. Air probe touching the evaporator coil, displaying temperature ok</li> <li>b. Air probe in cold-air supply, displaying temperature ok</li> <li>c. Failed controller and probe</li> </ul>	<ul style="list-style-type: none"> <li>a. Move the air probe away from the evaporator</li> <li>b. Move the air probe away from the cold-air supply</li> <li>c. Call service for diagnosis</li> </ul>
<b>6. Temperature</b>	<ul style="list-style-type: none"> <li>a. Improper cellar insulation &amp; seal</li> </ul>	<ul style="list-style-type: none"> <li>a. Check insulation, gasket and door opening</li> </ul>

<b>high or not cooling and running continually</b>	<ul style="list-style-type: none"> <li>b. Cellar too large</li> <li>c. Ambient temperature too high</li> <li>d. Exhaust restricted</li>   <li>e. Malfunctioning fans</li> <li>f. Evaporator or condenser airflow</li> <li>g. Dirty Condenser</li> <li>h. Iced evaporator</li> <li>i. Refrigeration system restriction</li> <li>j. Refrigerant leak</li> <li>k. Undercharge or overcharge</li> <li>l. Failed components</li> </ul>	<ul style="list-style-type: none"> <li>b. Check for excessive size</li> <li>c. Check installation location</li> <li>d. Leave minimum 3 feet clearance for the hot air exhaust side and leave minimum 1 foot clearance for the ambient air intake side</li> <li>e. Check for both evaporator and condenser fans</li> <li>f. Check for air restrictions, air short-circulation, grille directions</li> <li>g. Clean condenser</li> <li>h. Defrost and reset temperature</li> <li>i. Call service</li> <li>j. Call service</li> <li>k. Call service</li> <li>l. Check compressor windings, start relay and overload protector</li> </ul>
<b>7. Unit running too long</b>	<ul style="list-style-type: none"> <li>a. Improper cellar insulation &amp; seal</li> <li>b. Exhaust restricted</li>   <li>c. Cellar too large</li> <li>d. Ambient temperature &gt; 90°F</li> <li>e. Dirty Condenser</li> <li>f. Improper condenser air flow</li> </ul>	<ul style="list-style-type: none"> <li>a. Check insulation, gasket and door opening</li> <li>b. Leave minimum 3 feet clearance for the hot air exhaust side and leave minimum 1 foot clearance for the ambient air intake side</li> <li>c. Check for excessive size</li> <li>d. Check for installation location</li>   <li>e. Clean condenser</li> <li>f. Check for fan and air short circulation</li> </ul>
<b>8. Condenser fan running but compressor not running</b>	<ul style="list-style-type: none"> <li>a. Incorrect or loose wirings</li> <li>b. Failed components</li>   <li>c. Liquid refrigerant in the compressor</li> </ul>	<ul style="list-style-type: none"> <li>a. Check all wirings and connections</li> <li>b. Check start relay, start capacitor, overload protector, compressor.</li> <li>c. Call service.</li> </ul>
<b>9. Compressor running but condenser fan not running</b>	<ul style="list-style-type: none"> <li>a. Fan blade stuck</li> <li>b. Incorrect or loose wirings</li> <li>c. Failed motors</li> <li>d. Fan cycle control</li> </ul>	<ul style="list-style-type: none"> <li>a. Check for proper clearance</li> <li>b. Check all wirings</li> <li>c. Call service</li> <li>d. Check for setting</li> </ul>
<b>10. Temperature high, compressor stopping and starting but very short running time</b>	<ul style="list-style-type: none"> <li>a. Failed components</li> <li>b. Improper condenser airflow</li> <li>c. Dirty condenser</li> <li>d. Overcharge of refrigerant</li> <li>e. Discharge or suction pressure too high</li> </ul>	<ul style="list-style-type: none"> <li>a. Check compressor windings, start relay and overload protector.</li> <li>b. Check for condenser fan</li> <li>c. Clean condenser</li> <li>d. Call service for removing refrigerant</li> <li>e. Call service for information</li> </ul>
<b>11. Evaporator fan running too long</b>	<ul style="list-style-type: none"> <li>a. Post-compressor fan running mode for humidity modulation</li> </ul>	<ul style="list-style-type: none"> <li>a. Reset FON</li> </ul>
<b>12. Evaporator</b>	<ul style="list-style-type: none"> <li>a. Incorrect or loose wirings</li> </ul>	<ul style="list-style-type: none"> <li>a. Check all wirings and connections</li> </ul>

<b>fan running but condensing unit not running</b>	<ul style="list-style-type: none"> <li>b. Failed components</li> <li>c. Low refrigerant</li> </ul>	<ul style="list-style-type: none"> <li>b. Check start relay, start capacitor, overload protector, compressor.</li> <li>c. Call service</li> </ul>
<b>13. Temperature low</b>	<ul style="list-style-type: none"> <li>a. Low temperature setting</li> <li>b. Low ambient temperature</li> <li>c. Air probe fault</li> <li>d. Temperature controller fault</li> </ul>	<ul style="list-style-type: none"> <li>a. Raise the setting</li> <li>b. Move to another location</li> <li>c. Check probe connections or change a new one</li> <li>d. Change a new one</li> </ul>
<b>14. Evaporator freezing up</b>	<ul style="list-style-type: none"> <li>a. Evaporator air flow restriction</li> <li>b. Condenser air flow restriction</li> <li>c. Not stopping due to air leak, high ambient temperature or low temperature setting</li> <li>d. Defective controller or probe</li> <li>e. Low ambient temperature</li> <li>f. Initially working then stopping, moisture in the system</li> <li>g. Refrigerant low or leaking</li> <li>h. Expansion valve blockage</li> </ul>	<ul style="list-style-type: none"> <li>a. Check for fans and CFM</li> <li>b. Check for fans and CFM</li> <li>c. Check for seal, door opening, ambient temperature and temperature setting</li> <li>d. Check for controller and probe</li> <li>e. Change defrost cycle</li> <li>f. Call service</li> <li>g. Call service</li> <li>h. Call service</li> </ul>
<b>15. Water leak</b>	<ul style="list-style-type: none"> <li>a. Air leak in the wine cellar causing excessive condensate</li> <li>b. High humidity causing excessive condensate</li> <li>c. Evaporator air flow restriction</li> <li>d. Drain restricted or unit not level, and water overflowing</li> <li>e. Drip tray leak (No water overflow but leak)</li> </ul>	<ul style="list-style-type: none"> <li>a. Check for air leak</li> <li>b. Use drain line</li> <li>c. Check supply air flow or air TD</li> <li>d. Clean the drip tray and drain line</li> <li>e. Seal the leak using silicone sealant</li> </ul>
<b>16. Excessive condensate in wine cellar</b>	<ul style="list-style-type: none"> <li>a. Air leak in the wine cellar causing excessive condensate</li> <li>b. High humidity causing excessive condensate</li> <li>c. Drain restricted</li> </ul>	<ul style="list-style-type: none"> <li>a. Check for any air leak</li> <li>b. Use drain line</li> <li>c. Clean the drip tray and drain line</li> </ul>
<b>17. Condensate inside ducts</b>	<ul style="list-style-type: none"> <li>a. Drain line restricted</li> <li>b. Continually running not stopping</li> <li>c. Too cold supply air</li> </ul>	<ul style="list-style-type: none"> <li>a. Check for drain</li> <li>b. raise temperature setting or increase defrost cycle</li> <li>c. Increase air flow or raise temperature setting</li> </ul>
<b>18. Condensate outside ducts</b>	<ul style="list-style-type: none"> <li>a. Duct not insulated</li> <li>b. High humidity</li> <li>c. Too cold supply air</li> </ul>	<ul style="list-style-type: none"> <li>a. Check for insulation</li> <li>b. Use dehumidifier</li> <li>c. Increase air flow or raise temperature setting</li> </ul>
<b>19. Circuit tripping</b>	<ul style="list-style-type: none"> <li>a. Incorrect fuse or breaker</li> <li>b. Incorrect wirings</li> <li>c. Failed components</li> </ul>	<ul style="list-style-type: none"> <li>a. Check for proper fuse or breaker</li> <li>b. Check for wirings and connections</li> <li>c. Call service</li> </ul>
<b>20. Noisy operation</b>	<ul style="list-style-type: none"> <li>a. Mounting area not firm</li> <li>b. Loose parts</li> <li>c. Compressor overloaded due to</li> </ul>	<ul style="list-style-type: none"> <li>a. Add support to improve installation</li> <li>b. Check fan blades, bearings, washers, tubing contact and loose screws.</li> <li>c. Check for airflow</li> </ul>

	high ambient temperatures or airflow restriction d. Defective components	d. Call service for checking internal loose, inadequate lubrication and incorrect wirings
--	---	---

## Installer's Instructions

 <b>WARNING</b>	
	<p>Always check wiring harness connections before initiating any test procedures.</p> <p>Disconnect electric power from the appliance before performing any maintenance or repairs.</p> <p>Voltage checks should be made by inserting meter probes beside the wires in the connector blocks with the electric power source on and the connector block plugged in.</p> <p>Resistance checks should be made on components with the electric power off and the connector block disconnected.</p>

**Federal law requires that WINE-MATE split cooling systems be installed by an EPA certified refrigeration technician.**

### 1. General Instructions

WINE-MATE split system is shipped as components and is ready for use only after a certified refrigeration technician has properly installed the system. Proper installation is critical. Vinotemp can only warrant the quality of the components. The installation and proper operation of the system must be warranted by the installer. Installation of the system must be done in accordance with all state and local building and electrical codes.

The condensing unit and evaporator unit are connected by a liquid line and an insulated suction line that are supplied by the installer. These lines must be properly sized for the distance between the two units. After the units and lines are connected, the system must be checked for restriction, pressurization and leak. Then the system must be evacuate and charged with refrigerant. Refrigerant amount will vary depending on the length of line set.

#### **Parts included:**

Evaporator Unit (liquid line solenoid valve and expansion valve installed)  
Condensing Unit (pressure control, water regulation valve, discharge and suction valves and installed)  
Liquid Filter  
Liquid Indicator  
Temperature Controller (4.5"LX4.5"WX3.75"D) + Air Probe

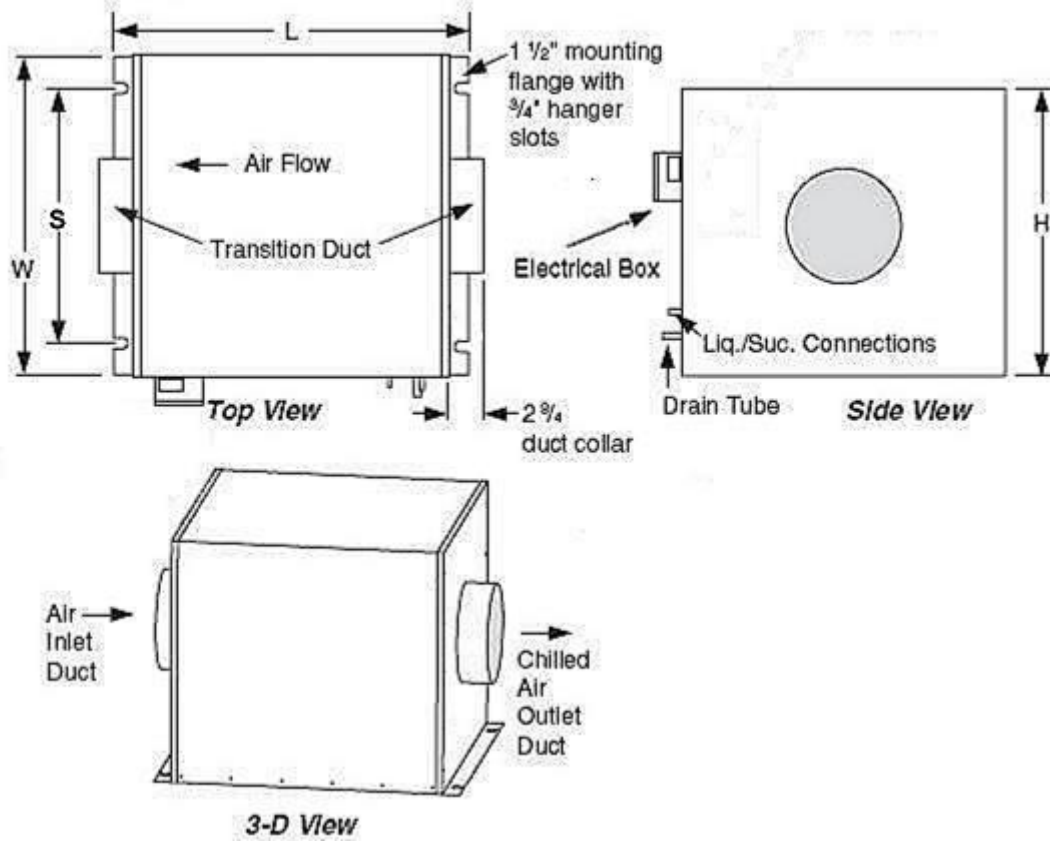
#### **Parts not included:**

Liquid line copper tubing  
Suction line copper tubing  
Insulated ducts  
Water lines

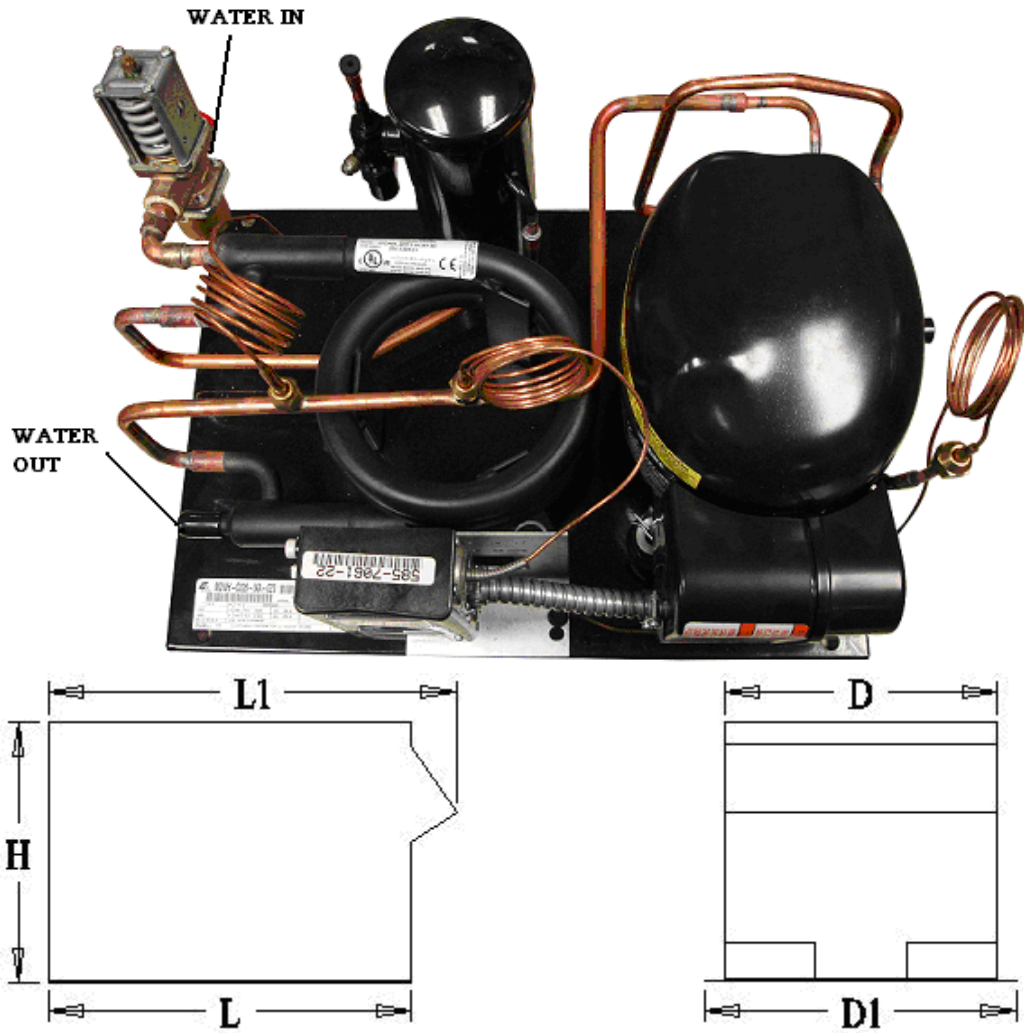


**CAUTION:**  
Liquid and suction line locations may differ from what are shown here,  
please check on the units for proper installation.

All measurements are in inches.



**Fig. 3 WM-25~85SFCH Evaporator Unit**



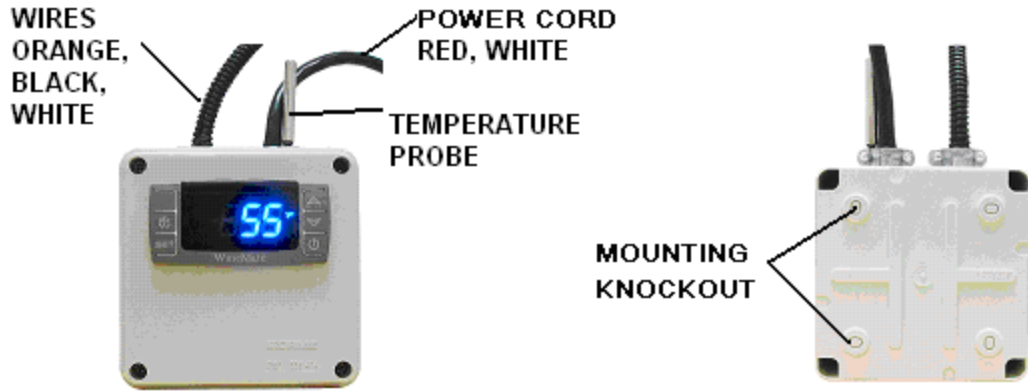
**Fig. 4 WM-250~850SCU-WC Condensing Unit**



**Fig. 5 Liquid Filter**



**Fig. 6 Liquid Indicator**



**Fig. 7 Temperature Controller (4.25”L X 3.75D X 4.25”H)**

## **2. Temperature Controller and Air Probe Installation**

- 1) The temperature controller can be mounted either inside or outside the wine cellar, but the air probe must be located inside the wine cellar or the return duct.
- 2) The air probe shall be located in the wine cellar 5 ft above the floor or the air return area, but it shall not be located in the air supply area or other areas where air is not circulated.
- 3) Air probe can be pulled out of the temperature controller around 5 ft; if additional wires are needed, 18 gauge wires may be used to extend the air probe.
- 4) If the air probe is installed in a return duct, the evaporator fans shall be running all the time. Meanwhile due to the temperature differential the temperature, air probe calibration should be used in order to maintain the proper wine cellar temperature.

## **3. Evaporator Unit Installation**

- 1) WM-25~85SFCH evaporator units can be installed outside a wine cellar. It shall not be exposed to temperatures higher than 85 °F.
- 2) Air supply shall be unobstructed minimum 12” for a direct blow installation; leave 2” clearance for a deflector installation; air return shall be unobstructed minimum 6”.
- 3) Secure the ducts with conduits to the cellar exterior walls and make sure they are not curled, twisted, bent and clogged.

<b>Model No</b>	<b>Insulated Duct</b>
WM-2500SSHWC	8”
WM-4500SSHWC	8”
WM-6500SSHWC	10”
WM-8500SSHWC	10”

- 4) There is a gravity drain system used, so the unit shall be installed level or with a slight slope downward the drain connection and the drain line shall be installed slope down toward the drain. If rise-up is needed, a condensation pump must be used.

#### 4. Condensing Unit Installation

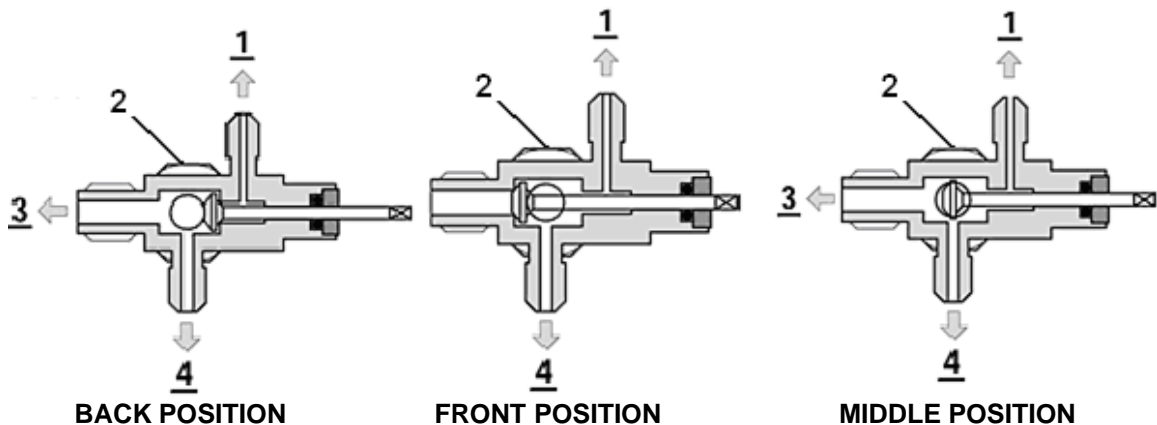
- 1) Condensing unit shall be elevated to avoid possible flooding and shaded from direct sun. The location shall be adequately ventilated and shall not be subject to freezing temperatures.
- 2) Water must be supplied to WM-250~850SCU-WC at all times during operation, with the maximum outlet temperature of 120 °F. A sufficient amount of water must be provided for constant head pressure and proper cooling, but excessive water flow will cause the unit working inefficiently.
- 3) The maximum permissible water pressure is 150 PSIG. If water pressure is excessive, a pressure reducing valve must be used to reduce the water pressure.
- 4) Service valve operation

- 1 - Process or Manometer
- 2 - Receiver Discharge or Compressor Suction
- 3 - Liquid Line or Suction Line
- 4 - Pressure Control

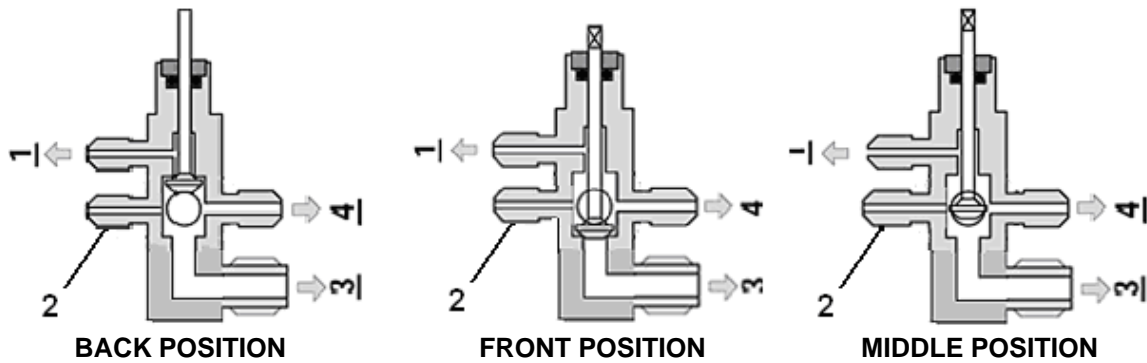
**Back Position:** Normal operation after installation is complete, process or manometer port is closed.

**Front Position:** Storage or shipping operation, liquid or suction line connection is closed.

**Middle Position:** Installation operation, all ports are open for evacuation, charge and manometer.



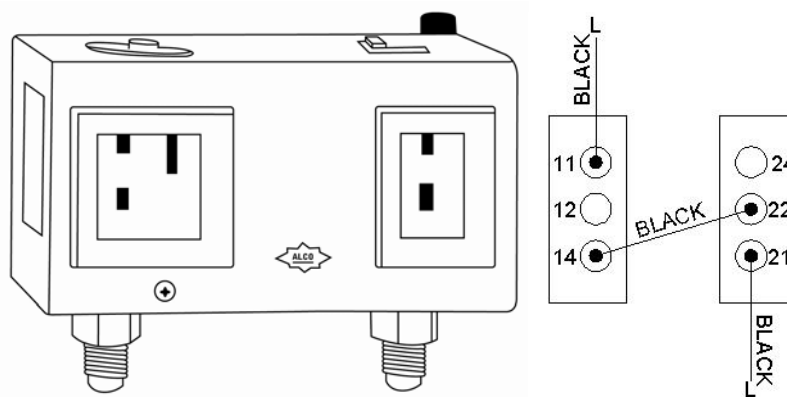
**Fig. 8 ROTALOCK Valve Operation**



**Fig. 9 Base Valve Operation**

### 5. Checking Pressure Control Settings

Suction pressure setting: Cut out=10 psig; Cut in=25 psig; Differential=15 psig  
 Head pressure setting: Cut out=230 psig; Cut in=150 psig; Differential=80 psig  
 It may need to adjust the setting in the field to get the right cycle time.



**Fig. 10 Adjustable Pressure Control**

### 6. Refrigeration Piping and Leak Testing

**NOTES:**

- The line connection sizes of liquid filter & indicator, the valve connection sizes of condensing unit and the line connection sizes of evaporator unit are not necessary the same as the listed refrigeration line sizes.
- If the condensing unit is installed above the evaporator unit, use the suction line one listed size smaller.
- Expansion and solenoid valves have been installed on the liquid line in the evaporator unit.

1) The installation order starts from condensing unit (including receiver and discharge valve), liquid line filter-drier, moisture-liquid indicator, liquid line, to

evaporator unit (including liquid line connection, solenoid valve, expansion valve, and suction line connection), returning to insulated suction line, suction valve and then back to condensing unit.

- 2) If the condensing unit is located below the evaporator unit, use inverted U trap to prevent liquid from flooding back to the compressor; if the elevation difference is more than 10 ft or the line set exceeds 75 ft, use both inverted U trap and suction accumulator.
- 3) If the condensing unit is located more than 10 ft above the evaporator unit, use U trap to aid oil returning to the compressor.
- 4) Complete pipe brazing, check solenoid valve and expansion valve restrictions and test leak.
- 5) Hook up the drain line and check if water drains.

The line sizes and refrigerant charges are listed as follows.

Model No	Equivalent Line Set	Liquid Line	Suction Line	Drain Line	Recommended Charge
WM-2500SSHWC	<= 75 FT	1/4" OD	3/8" OD	7/8" OD	R134a/19 OZ
WM-4500SSHWC	<= 75 FT	1/4" OD	1/2" OD	7/8" OD	R134a/26 OZ
WM-6500SSHWC	<= 75 FT	1/4" OD	1/2" OD	7/8" OD	R134a/32 OZ
WM-8500SSHWC	<= 75 FT	3/8" OD	5/8" OD	7/8" OD	R134a/40 OZ

## 7. Water Piping

If a water pump is used, install it before the water inlet so that the condenser cooling water is fed from the discharge side of the pump.

Model No	Condensing Unit	Water Flow (75°F inlet, gal/min)	Water-in Connection	Water-out Connection	Water Pressure Drop (PSI)
WM-2500SSHWC	WM-250SCU-WC	0.2	3/8" FPT	1/2" ODF SOLDER	0.2
WM-4500SSHWC	WM-450SCU-WC	0.4	3/8" FPT	1/2" ODF SOLDER	0.2
WM-6500SSHWC	WM-650SCU-WC	0.6	3/8" FPT	1/2" ODF SOLDER	0.2
WM-8500SSHWC	WM-850SCU-WC	0.8	3/8" FPT	1/2" ODF SOLDER	0.4

## 8. Connecting Electrical Wires

Connect all electrical components using the wiring diagrams in accordance with all state and local codes.

## 9. Evacuating, Charging and Starting the system

### CAUTION:

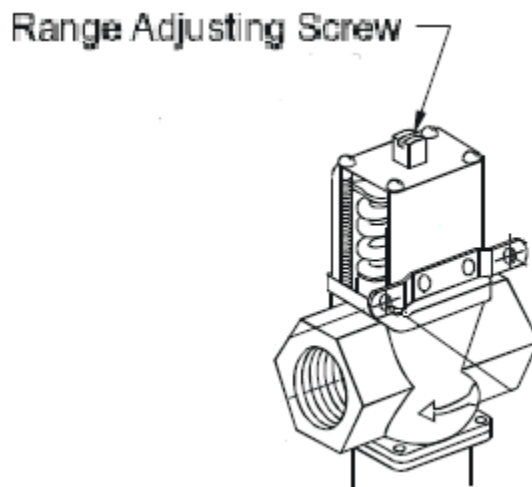
- **Always use the superheat and subcooling, pressure readings to charge refrigerant properly; the listed charge amounts are used for reference only.**

- 1) Evacuate the system; both discharge and suction valves must be in the middle positions during evacuating.

- 2) Charge the system through both suction and discharge valves with refrigerant using the recommended initial amount; both discharge and suction valves must be in the middle positions during charging.
- 3) Turn on the water valve.
- 4) Turn on the power to start the system and check the following temperatures and pressures.

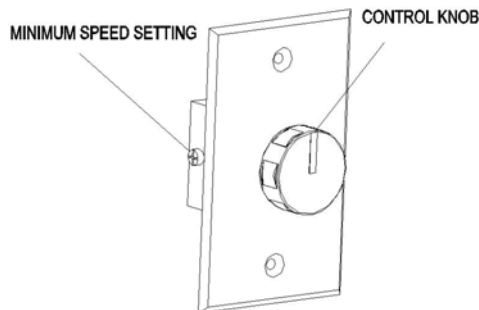
## 10. Adjusting and Completing the installation

- 1) Set the water regulating valve opening set-point at refrigerant pressure of 120 PSIG. Turn counterclockwise to raise the operating set-point.



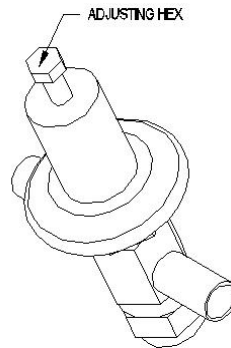
**Fig. 11 Water Regulating Valve**

- 2) It may use a fan speed control to adjust the air flow to achieve the specified CFM. The fan will run from the minimum speed to full speed with the control knob at the lowest and highest speed position. To adjust the minimum speed, turn control knob to the lowest speed position, then rotate the setting (located on the side or front) clockwise to decrease the minimum speed or counterclockwise to increase the minimum speed. The minimum speed should be adjusted until it supplies the required CFM.



**Fig. 12 Fan Speed Control**

- 3) The subcooling at the condensing unit shall be around 10°F. The charge may be complete when there are no more bubbles forming in the liquid indicator.
- 4) Head pressure is maintained constant but will vary with the water outlet temperature: 120 ~ 190 psig at the water outlet temperature 95 ~ 120 °F.
- 5) The evaporator's constant pressure expansion valve is set around 30 ~ 35 psig (35 ~ 40°F) at factory. This pressure setting gives a dew point to maintain the proper humidity for storing wine.
- 6) The temperature split across the evaporator shall be 8 ~ 10°F at 55°F wine cellar temperature.
- 7) Again, you must verify if the superheat at the evaporator unit is around 9 ~ 18°F at 55 °F ~ high wine cellar temperatures.
- 8) If the superheat is high, check the subcooling first to know if the refrigerant charge is sufficient. If the charge is not sufficient, add more refrigerant. If the charge is good, then increase the evaporator suction pressure by turning the hex nut (5/16") clockwise. Liquid must always be charged into the hide side when the compressor runs.
- 9) If the superheat is low, then decrease the evaporator suction pressure by turning the hex nut (5/16") counter-clockwise.
- 10) Both discharge and suction valves must be in the back positions before disconnecting.
- 11) Close all service valves and disconnect all manifolds and hoses.



**Fig. 13 Expansion Valve**

## 11. Pressure, Superheat and Subcooling Readings

### CAUTION:

To read properly the service valves must be in the middle positions.

Complaint	Possible Causes
1) High suction pressure and low head pressure Zero superheat and zero subcooling	1) Compressor may be bad
2) High suction pressure and low head pressure Low superheat and low subcooling	2) Expansion valve opened, too much oil
3) High suction pressure and high head pressure Low superheat and high subcooling	3) Overcharge
4) High to normal suction pressure and high head pressure	4) Non-condensable gas



<p>Low subcooling</p> <p>5) High suction pressure and high head pressure Low superheat and low subcooling</p> <p>6) High suction pressure and high head pressure High superheat</p> <p>7) Low suction pressure and low head pressure High superheat and low subcooling</p> <p>8) Low suction pressure and low to normal head pressure High superheat and high subcooling</p> <p>9) Low suction pressure and low head pressure Normal to high superheat and low subcooling</p> <p>10) Low suction pressure and low head pressure Low superheat and low subcooling</p> <p>11) Low suction pressure and low to normal head pressure High superheat and normal to high subcooling</p> <p>12) Low suction pressure and normal head pressure High superheat and normal subcooling</p> <p>13) Low suction pressure and high head pressure High superheat and high subcooling</p> <p>14) Low suction pressure and high head pressure High superheat and high subcooling</p> <p>15) low to normal suction pressure and high head pressure Normal to high superheat and high subcooling</p>	<p>5) Water restricted or bad water regulator, dirty condenser</p> <p>6) High cellar temperature, high evaporator load</p> <p>7) Undercharge</p> <p>8) Liquid line restricted after receiver, solenoid valve restricted</p> <p>9) Suction line restricted</p> <p>10) Air restricted at evaporator, evaporator iced</p> <p>11) Evaporator restricted</p> <p>12) Expansion valve restricted</p> <p>13) Both evaporator and condenser restricted; liquid and suction lines connected wrong</p> <p>14) Liquid line restricted before receiver</p> <p>15) Condenser restricted</p>
---	---

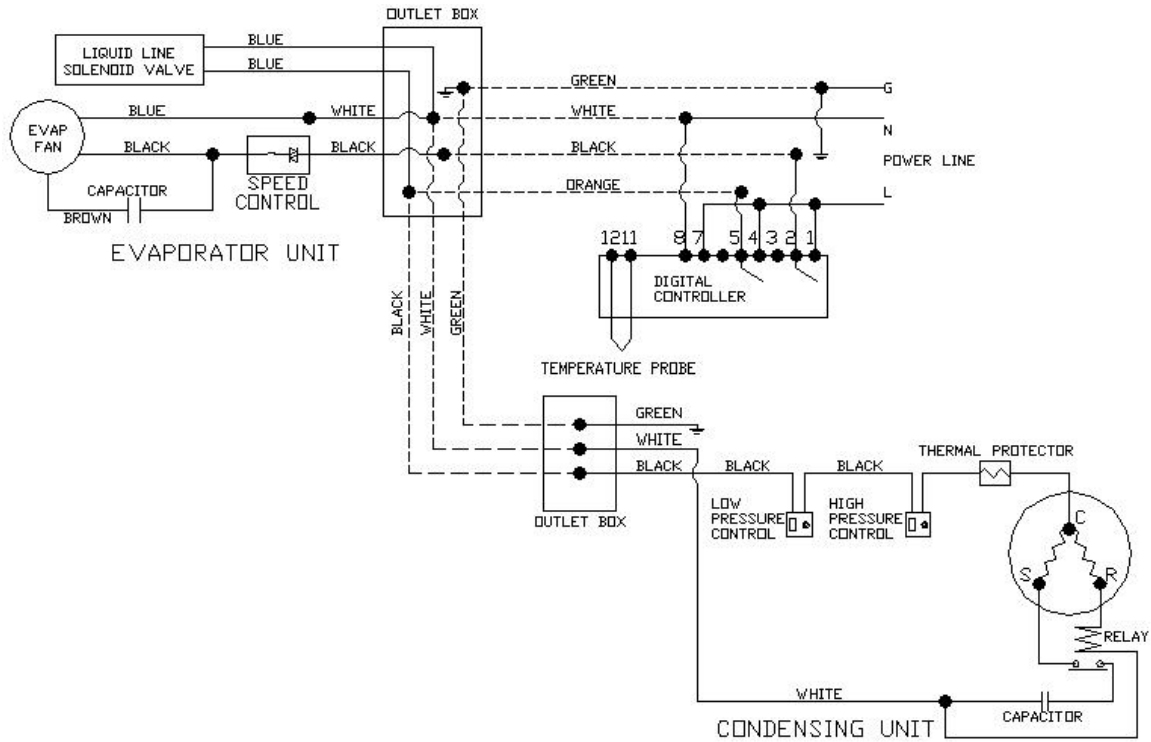
## 12. Condensing Unit Troubleshooting

<b>Unit not running</b>	
<p>1) Incorrect power supply</p> <p>2) Incorrect or loose wirings</p> <p>3) Failed components</p> <p>4) Low pressure control shutting down the system</p> <p>5) High pressure control shutting down the system</p>	<p>1) Check for proper voltage</p> <p>2) Check all wirings and connections</p> <p>3) Check start relay, start capacitor, overload protector, compressor.</p> <p>4) Check for system restriction or low refrigerant</p> <p>5) Check the condenser water flow</p>

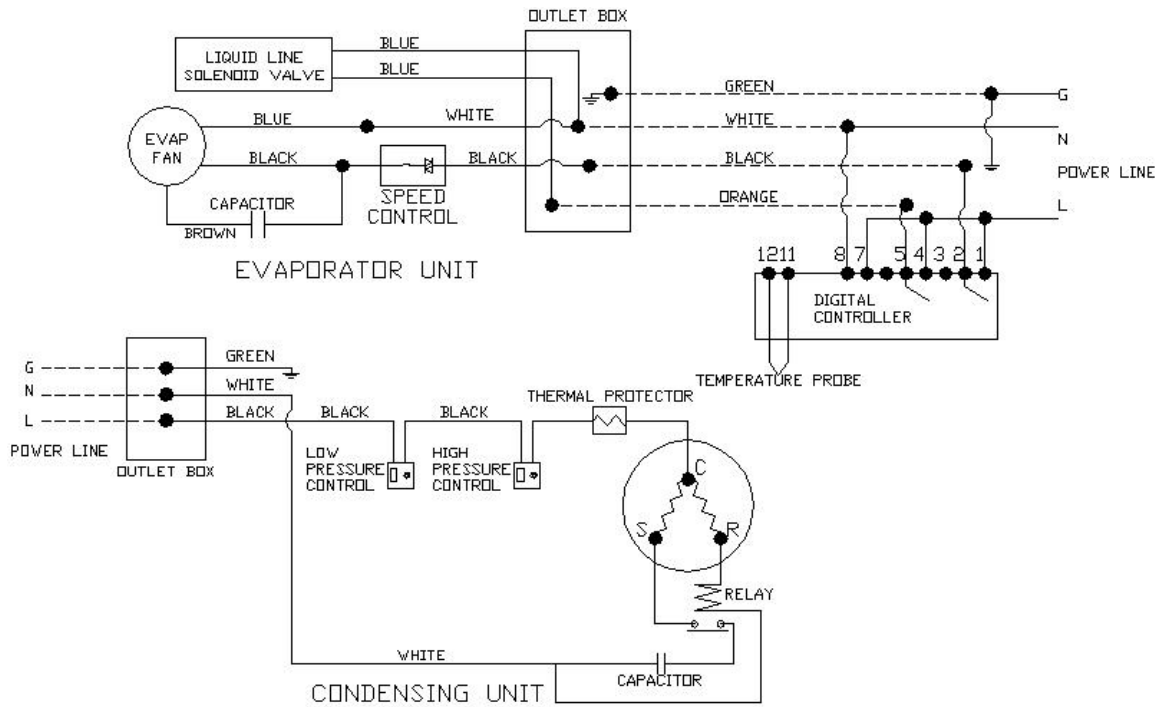
# Electrical Wiring Diagrams

**CAUTION:**

- Hidden lines are the field wirings.
- Use minimum 14 gauge wires for power lines.
- A safety switch is always recommended for the condensing unit.



**Fig. 14 WM-2500~4500SSHWC Wiring Diagram**



**Fig. 15 WM-6500~8500SSHWC Electrical Wiring Diagram**

## **Customer Support**

If you need further assistance, please contact us at:

Vinotemp International  
17631 South Susana Road  
Rancho Dominguez, CA 90221  
Tel: (310) 886-3332  
Fax: (310) 886-3310  
Email: [info@vinotemp.com](mailto:info@vinotemp.com)

# Warranty

**Thank you for choosing a Vinotemp cooling unit.**

Please enter the complete model and serial numbers in the space provided:

Model \_\_\_\_\_  
Serial No. \_\_\_\_\_

Attach your purchase receipt to this owner's manual.

## **1. Limited Warranty**

VINOTEMP warrants its products, parts only, to be free from defects due to workmanship or materials under normal use and service for twelve months after the initial sale. If the product is defective due to workmanship or materials, is removed within twelve months of the initial sale and is returned to VINOTEMP, in the original shipping carton, shipping prepaid, VINOTEMP will at its option, repair or replace the product free of charge.

This warranty constitutes the entire warranty of the VINOTEMP with respect to its products and is in lieu of all other warranties, express or implied, including any of fitness for a particular purpose. In no event shall VINOTEMP be responsible for any consequential damages what is so ever. Any modification of VINOTEMP products shall void this warranty.

## **Service under Warranty**

This service is provided to customers within the continental UNITED STATES only. VINOTEMP cooling units are warranted to produce the stated number of BTU/H. While every effort has been made to provide accurate guidelines, VINOTEMP can not warranty its units to cool a particular enclosure.

In case of failure, VINOTEMP cooling units must be repaired by the factory or its authorized agent. Repairs or modifications made by anyone else will void the warranty.

Shall a VINOTEMP cooling unit fail, contact the dealer for instructions, do not return the unit to the factory without authorization from VINOTEMP. If the unit requires repair, re-pack it in the original shipping carton and return it to the factory, shipping prepaid. VINOTEMP will not accept COD shipments. If the unit is determined to be faulty and is within the twelve month warranty period

VINOTEMP will, at its discretion, repair or replace the unit and return it free of charge to the original retail customer. If the unit is found to be in good working order, or beyond the initial twelve month period, it will be returned freight collect.

## **2. Limitation of Implied Warranty**

**VINOTEMP'S SOLE LIABILITY FOR ANY DEFECTIVE PRODUCT IS LIMITED TO, AT OUR OPTION, REPAIRING OR REPLACING OF UNIT.**

**VINOTEMP SHALL NOT BE LIABLE FOR:  
DAMAGE TO OTHER PROPERTY CAUSED BY ANY DEFECTS IN THE UNIT,  
DAMAGES BASED UPON INCONVENIENCE, LOSS OF USE OF THE UNIT,  
LOSS OF TIME OR COMMERCIAL LOSS, ANY OUTER DAMAGES,  
WHETHER INCIDENTAL, CONSEQUENTIAL OR OTHERWISE.**

**THIS WARRANTY IS EXCLUSIBE AND IS IN LIEU OF ALL OTHER  
WARRANTIES, EXPRESSED OR INPLIED, INCLUDING BUT NOT LIMITED  
TO, IMPLIED WARRANTIES OF MERCHANTABILITY OR FITNESS FOR A  
PARTICULAR PURPOSE.**

While great effort has been made to provide accurate guidelines VINOTEMP cannot warrant its units to properly cool a particular enclosure. Customers are cautioned that enclosure construction, unit location and many other factors can affect the operation and performance of the unit. There for suitability of the unit for a specific enclosure or application must be determined by the customer and cannot be warranted by VINOTEMP.