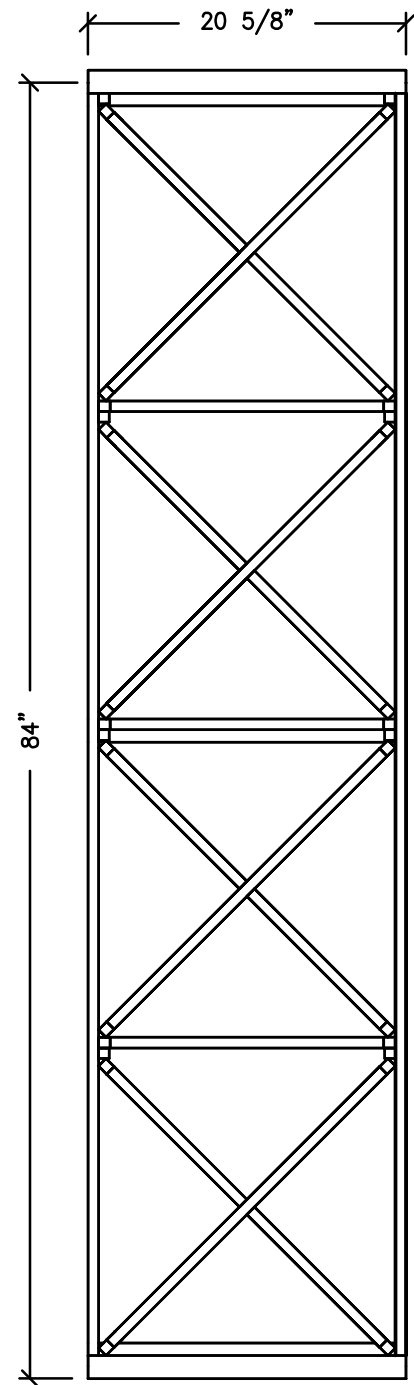
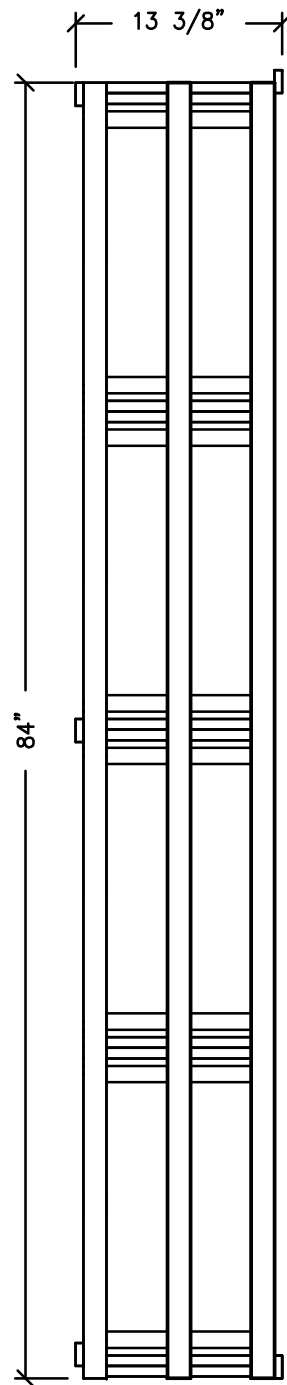


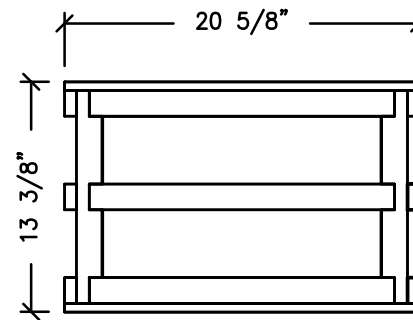
# ASSEMBLY INSTRUCTION



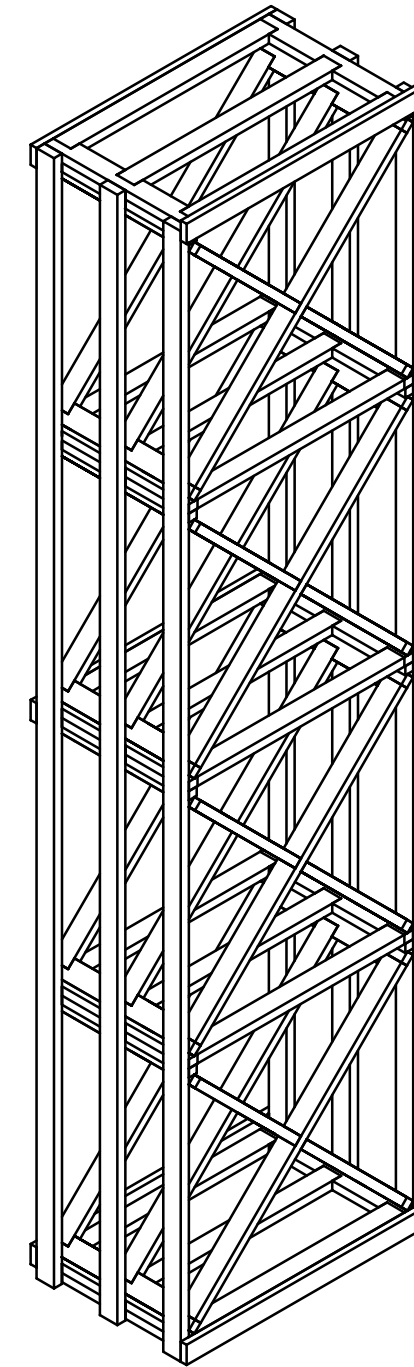
**XB-7**  
**Front view**



**XB-7**  
**Side view**



**XB-7**  
**Top view**



**ISOMETRIC**

P-1

REVISION	KIT NAME: X-Cube	
0	No. XB-7	NOTES: 1.- 11/16" THICKNESS 2.- PRODUCTION TOLERANCE 0-1/16" 3.- ALL DIMENSION HAVE TO VERIFY ON FIELD
	DATE: APR/25/18	
	DRAW: DANIEL D.	

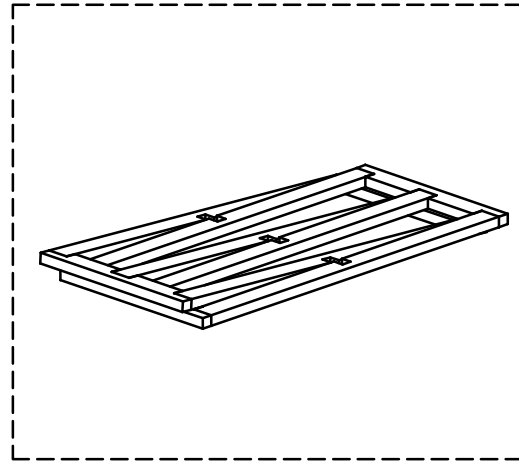


REVISIONS		
REV.	DATE	DESCRIPTION

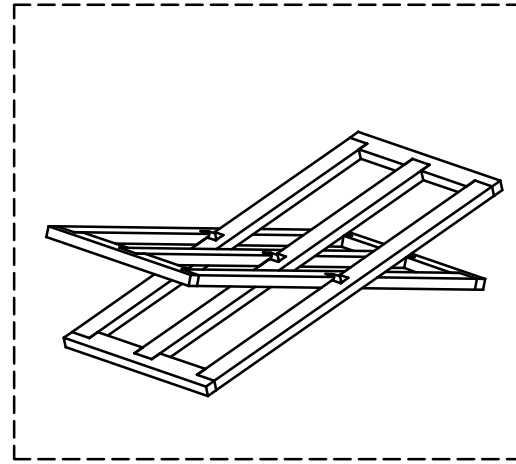
APPROVED BY:
DATE:

\*Proprietary Trademark Infringement- Designs are proprietary and cannot be copied or shared with others without our written consent.

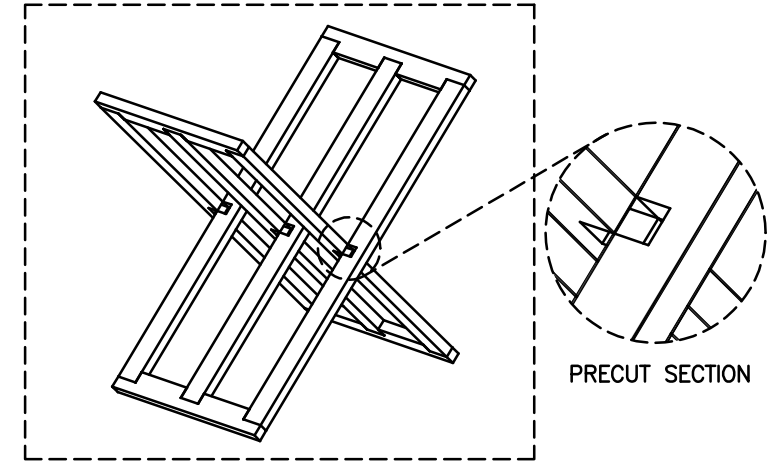
## ASSEMBLY INSTRUCTION



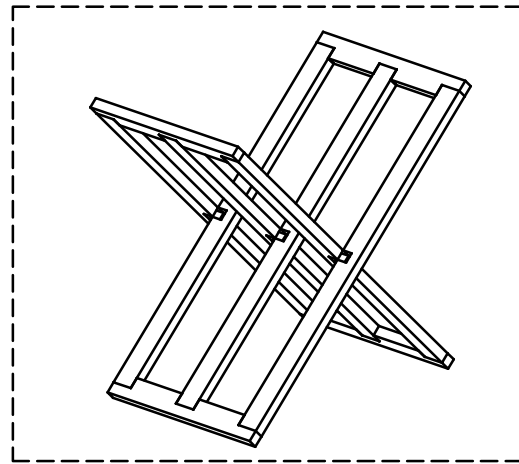
Step1.- You'll receive the "X" pre-assembled as a flat shelf.



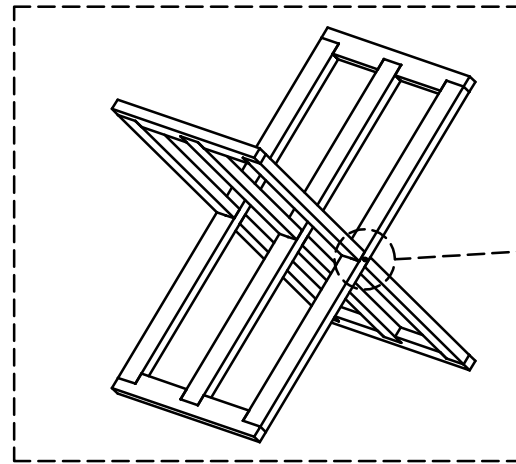
Step 2.- You need to rotate pre--assembled shelves until they form the "X" and arrive at the precut section.



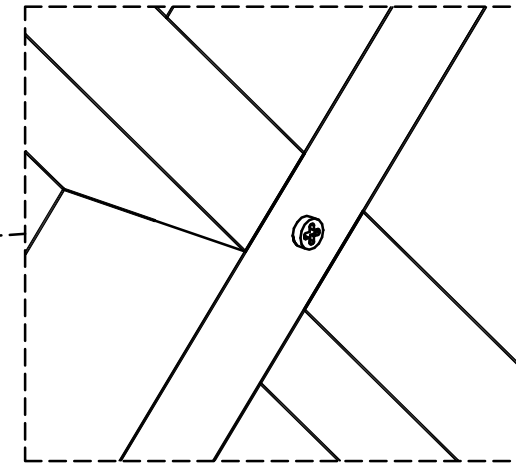
Step3.- Once having the section "X" formed and the precut section aligned



Step4.- You'll need to slide the "X's" to align both.



Step5.- Once the "X's" aligned you'll need to identify which would be the back section and join the "X's" with a screw to secure.



Step6.- This part of the "X" will be the back section and once inserted to the bin must be positioned in the back part.

P-2

REVISION	KIT NAME: X-Cube	
0	No. XB-7	NOTES:
	DATE: APR/25/18	1.- 11/16" THICKNESS
	DRAW: DANIEL D.	2.- PRODUCTION TOLERANCE 0-1/16"
		3.- ALL DIMENSION HAVE TO VERIFY ON FIELD



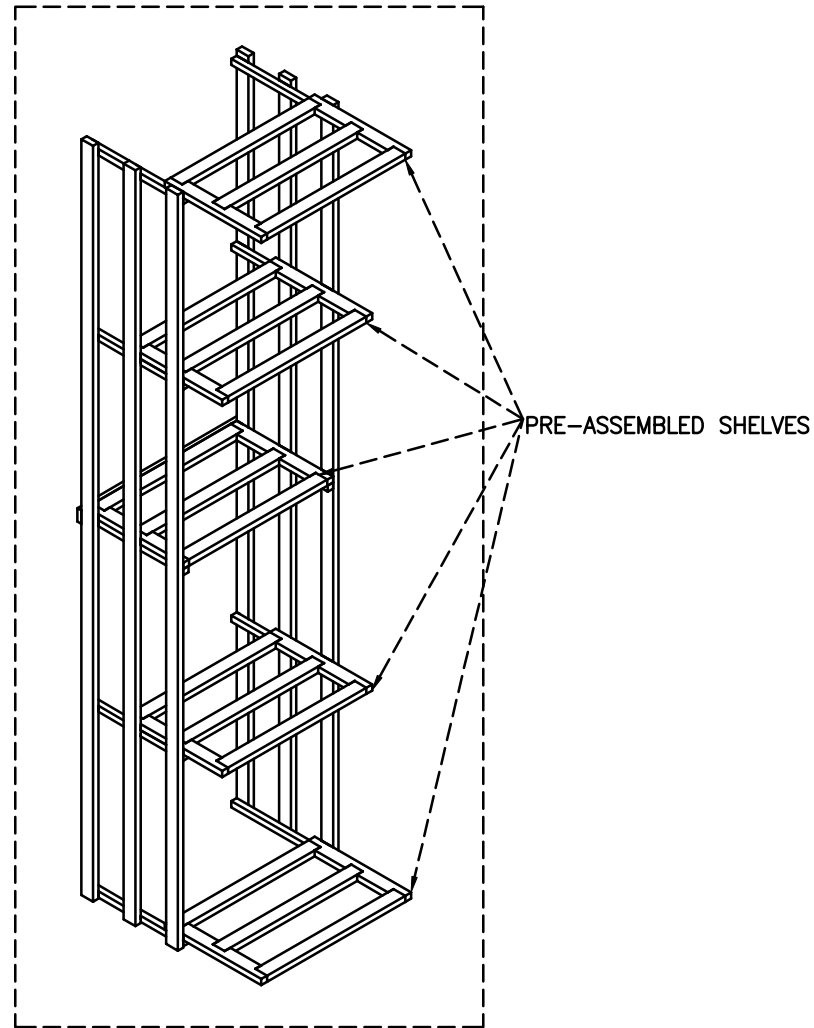
REVISIONS		
REV.	DATE	DESCRIPTION

APPROVED BY:

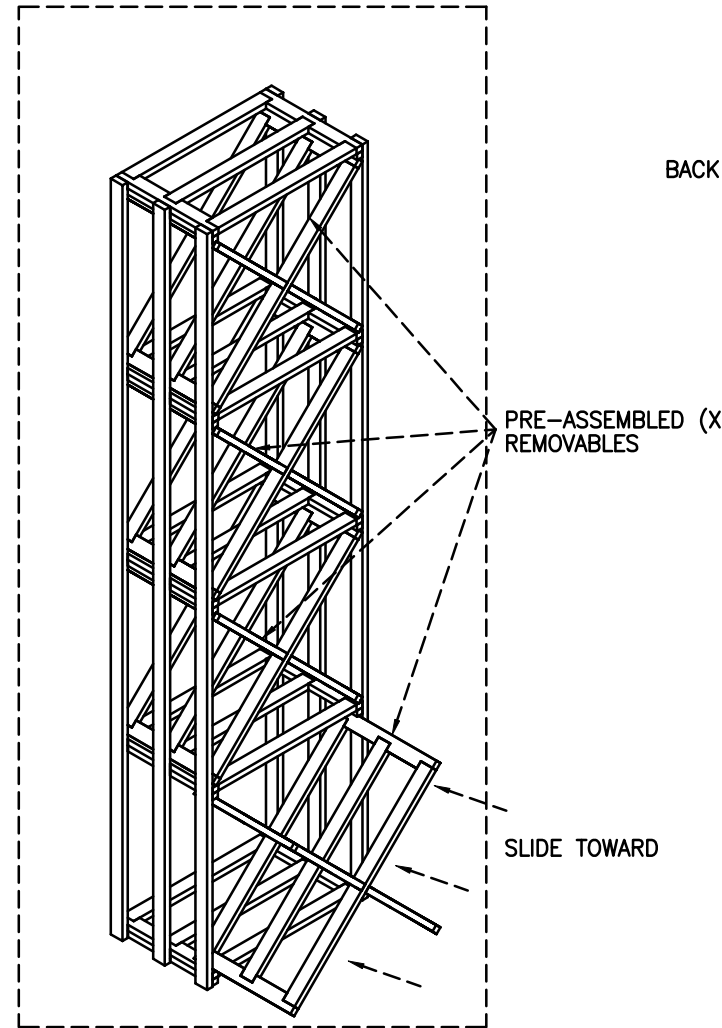
DATE:

# ASSEMBLY INSTRUCTION

LEFT & RIGHT LADDERS

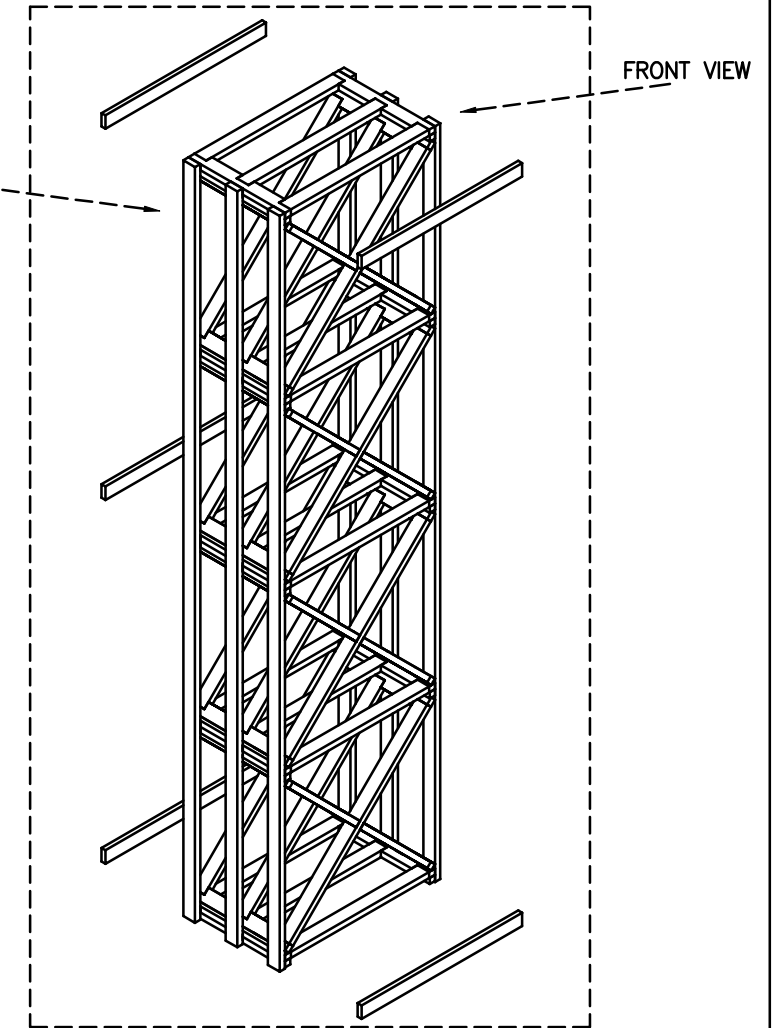


PRE-ASSEMBLED SHELVES



PRE-ASSEMBLED (X) REMOVABLES

SLIDE TOWARD



FRONT VIEW

BACK VIEW

Step 1.- Arrange the left & right end ladder to have the same siding on both sides. Place 1 pre--assembled shelf on the third rung. From the inside, either brad nail or screw the shelves onto the rung. Then place the other shelves onto the remaining rungs and attach in the same way.

Step 2.- Once each "X" is formed place each "X" into the bin opening. They can be placed into the bin opening or they can be nailed into the bin opening. Either way is fine.

Step3.- Take the Trim pieces and attach them, in the front section place 2 trims 1 in the bottom and the other in the top. Take the last 3 trim pieces and attach them to the 1st, 3rd and 5th shelf from the bottom to the top on the back section. All of this should be placed so the remaining trim is up. The exposed area of the trim will be used to screw through into the wall to secure the rack to the wall.

P-3

REVISION	KIT NAME: X-Cube	
0	No. XB-7	NOTES:
	DATE: APR/25/18	1.- 11/16" THICKNESS
	DRAW: DANIEL D.	2.- PRODUCTION TOLERANCE 0-1/16" 3.- ALL DIMENSION HAVE TO VERIFY ON FIELD



REVISIONS		
REV.	DATE	DESCRIPTION

APPROVED BY:  
  
DATE: