

WINE RACK ASSEMBLY & INSTALLATION INSTRUCTIONS

A. Preparing for the installation.

The first thing that should be done is to inspect the racks for any type of damage that might have happened during shipping. If there is any damage to the racks please report it right away. Next you should make sure that you have the correct number of racks.

NOTE: The racks have been marked with a letter that corresponds to the drawings. Special care should be taken to keep all pieces with their perspective racks.

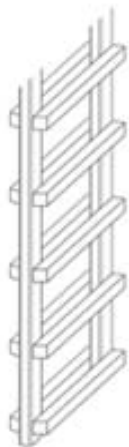
Now that you have familiarized yourself with the racks you should think about the best order to assemble and place the racks into the room. Although there is no hard rule for this it is usually best if you start from the back wall and work your way to the front.

B. Assembling Your New Wine Racks

Wine racks come in all shapes, sizes and styles. In the next few sections we will discuss the assembly of some of the most common racks to help you with your installation.

B.1 Regular Racks

Regular racks and many other racks are shipped partially assembled for your convenience. The partially assembled sections are referred to as ladders. Below are the two main types of ladders used.



DOUBLE SIDED LADDER

This is the most common type of ladder. The dimensions between the ladders are determined by the size of the cubicles that you ordered.

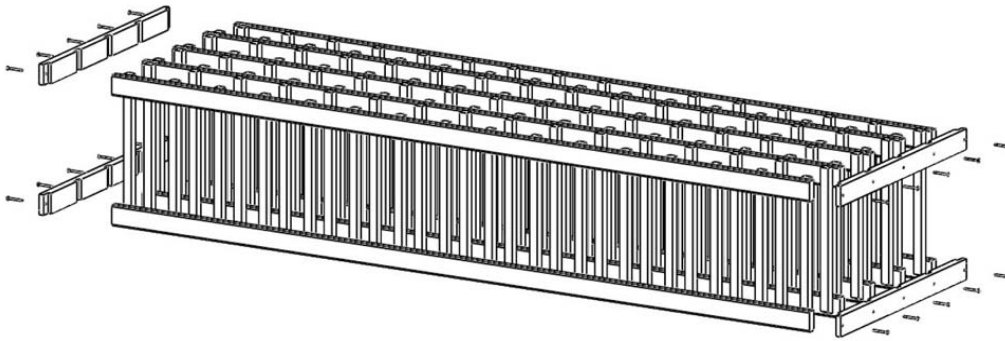


SINGLE SIDED LADDER

This is usually the left or right side of rack

When assembling standard racking it is usually best to sort out the ladders and place them on the ground with the front of the racks facing down.

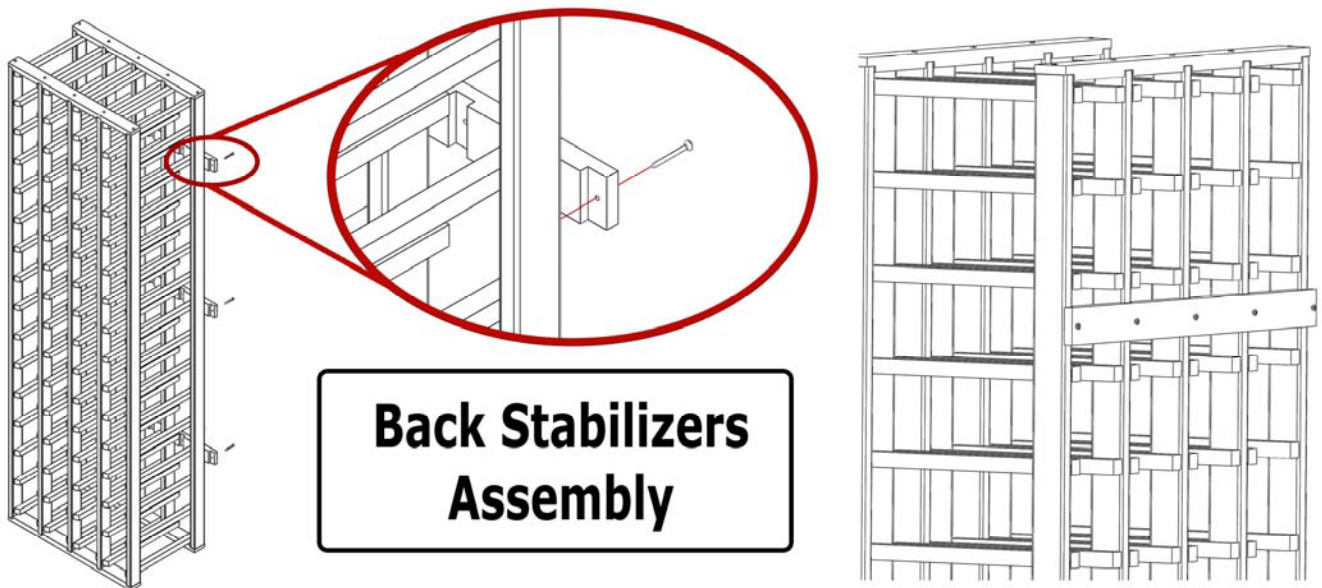
Step 1: Use the screws provided to attach the top, bottom, front and back stabilizers to the ladders.



Note:

If your rack is double deep you will have 3 top and 3 bottom stabilizers.

Step 2: Place the back Stabilizers on the back of the rack between the bottle supports. The exact location is your choice but we recommend spacing them equally. The quantity of Back Stabilizers will depend on the height of the racks. Later in this guide we will discuss mounting your racks to the wall, this stabilizer is what is best for that.



**Back Stabilizers
Assembly**

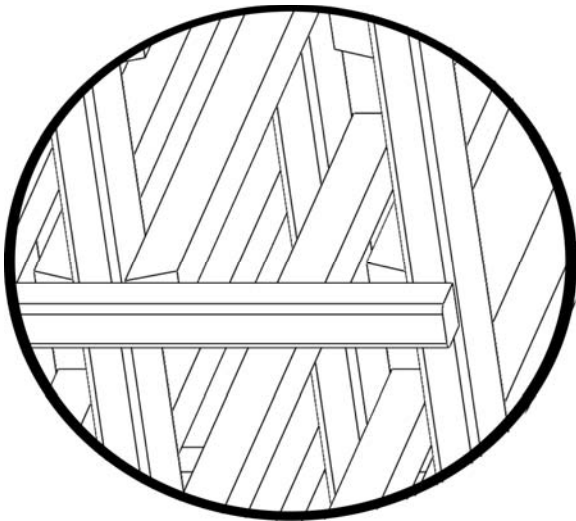
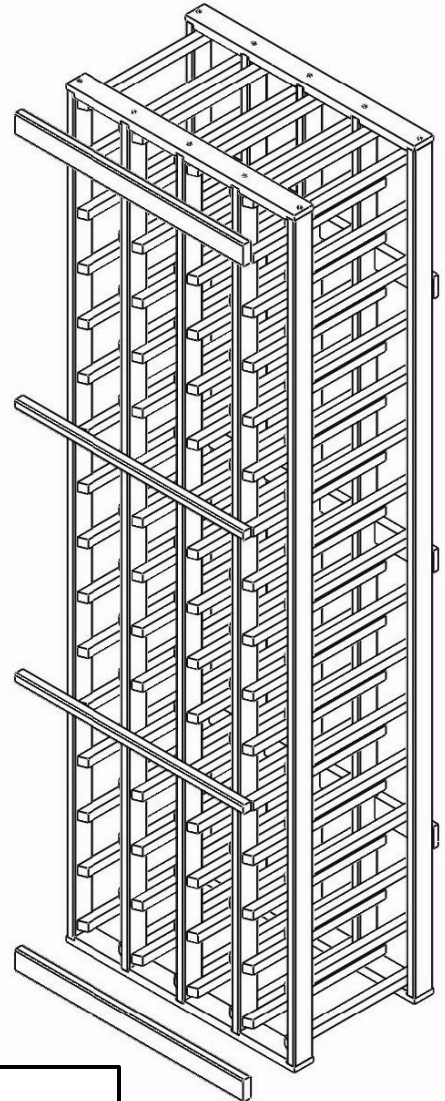
Step 3: Wall mounting your racks for safety. Most racks can stand freely on the ground but for safety we always recommend that you anchor the racks to the wall. The back upper stabilizer is a perfect way to do this, just screw or nail the stabilizer to the wall. Another way is to mount angle brackets on top of the rack and to the wall.

Step 4: Front spacer – Before you install the front spacers there is a few things you should know.

To better judge where you will want to place the spacers, it is recommended that you assemble and place all your racks first and then decide what height will look the best.

Front spacers can be put on several different ways. Gluing and screwing are two ways but the most common are stapling or using finishing nails.

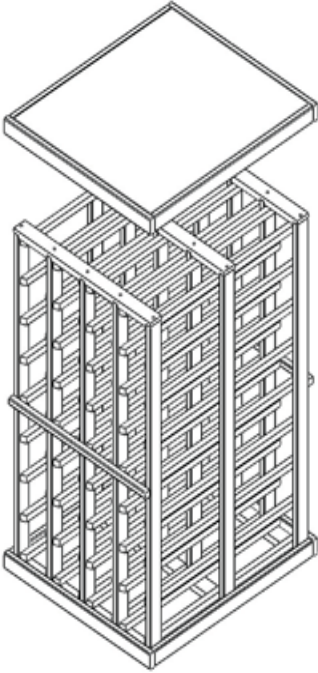
The front spacers will generally come in two different heights. The taller spacer will usually go on top and bottom of the front of the rack. The smaller spacers should be placed at the same height as the bottle supports. If your racks have bottle displays then please see that section before attaching spacers.



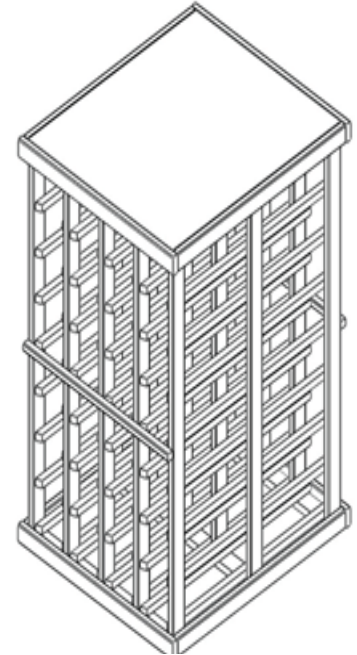
Note: Glue, Staples, finishing nails and wood Putty are not included.

B.2 Table Top Wine Racks (Island Racks)

Basically a table top rack is just a standard rack with a top on it. To assemble this type of rack see section B.1 Regular racks this will instruct you on putting together the main part of the rack. After assembling the rack then place the table top on top of the regular racking. Mounting the top to the short rack is not required but is recommended. Finishing nails, staples or screws are often used to attach the top to the racking.

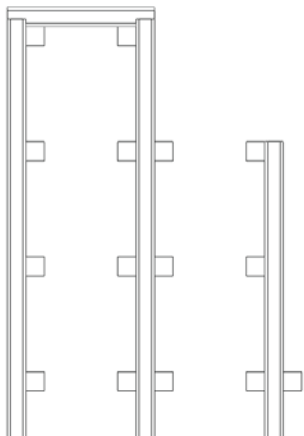


Note: If you have an island rack with other features in it such as diamond bins or case bins then please see their assembly instructions to help you create your island.

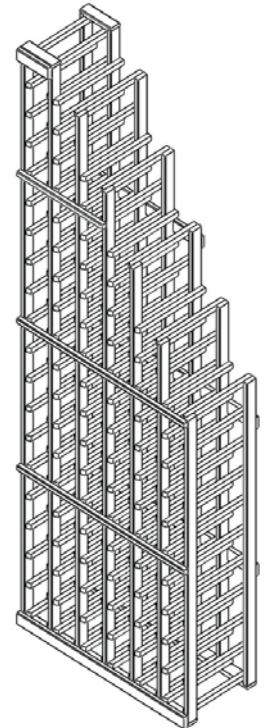


B.3 Water Fall Wine Rack (Cascading Rack)

Water fall racks will use the basic regular rack instructions with just a few modifications. The first thing to note when making a water fall rack is the correct ladder sequence. It is worth spending a little time to make sure that all the racks are in ascending or descending order. Typical water fall racks do not have top stabilizers or front trim on the top. Please see your design drawing to determine if you have these or not.



Note: When purchasing your water fall rack, please tell your sales representative if both sides of the rack are going to be out where they can be seen. We will then use front bracing on both sides instead.



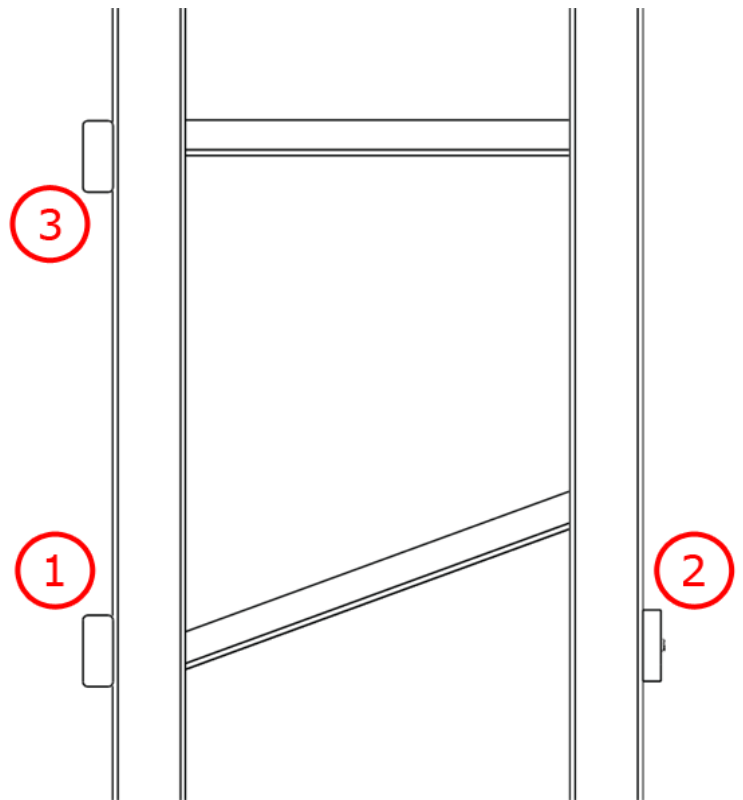
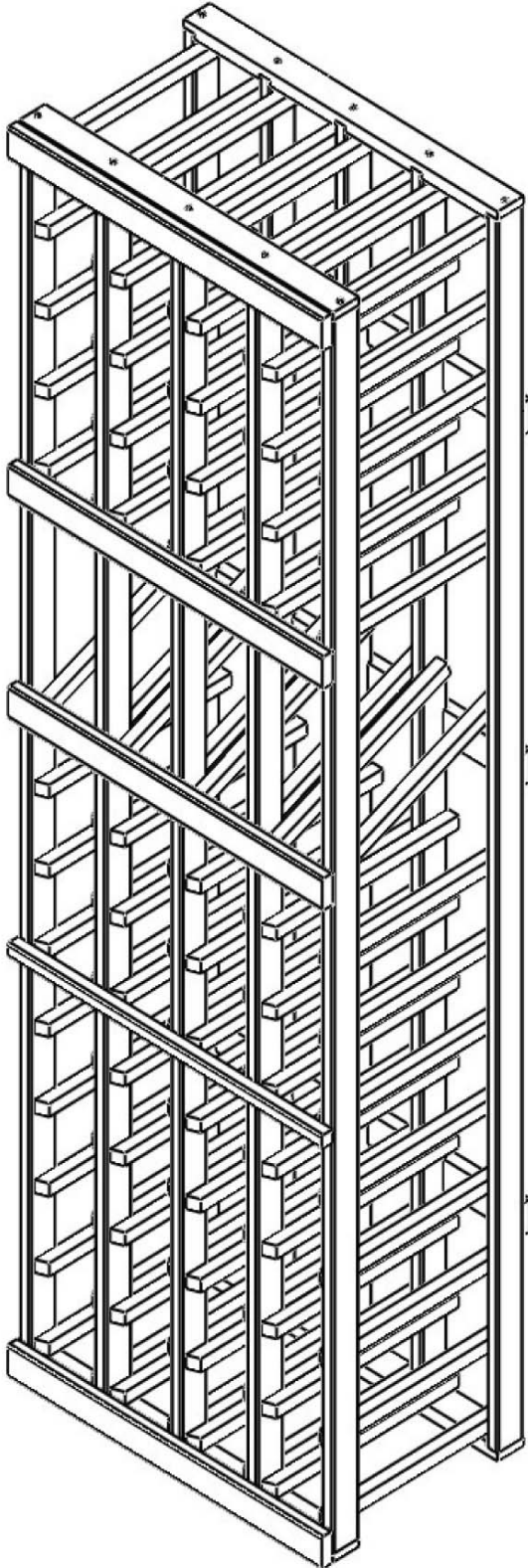
B.4 Display Rows for Wine Racks

Bottle Displays are a wonderful way to show your bottles. These are built nearly the same as regular racking with just a few differences.

(1) The main thing you want to address is the front brace that is near the bottom of the bottle display. This can be either a normal front spacer or a wide front spacer like the one showing below. This spacer must be placed so that when the bottle is in the rack it will be held from sliding forward.

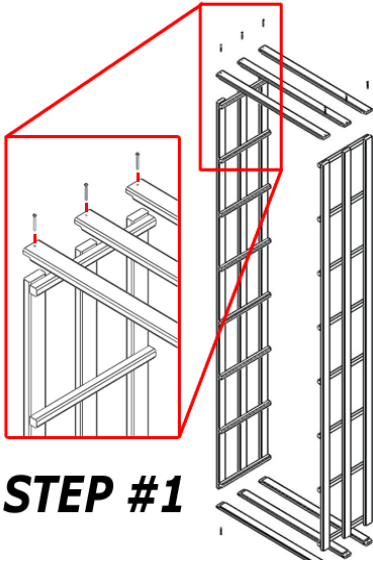
(2) This is a great spot to put one of the back braces. Once bottles are placed in the display you will not see the back brace.

(3) In some designs a wide front brace is also used above the display. If one is included with your rack then place it in the location shown below.



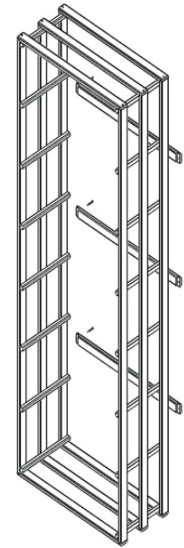
D. Case Bins

Step #1: Attach the top and bottom stabilizers to the case bin ladders using the screws provided.

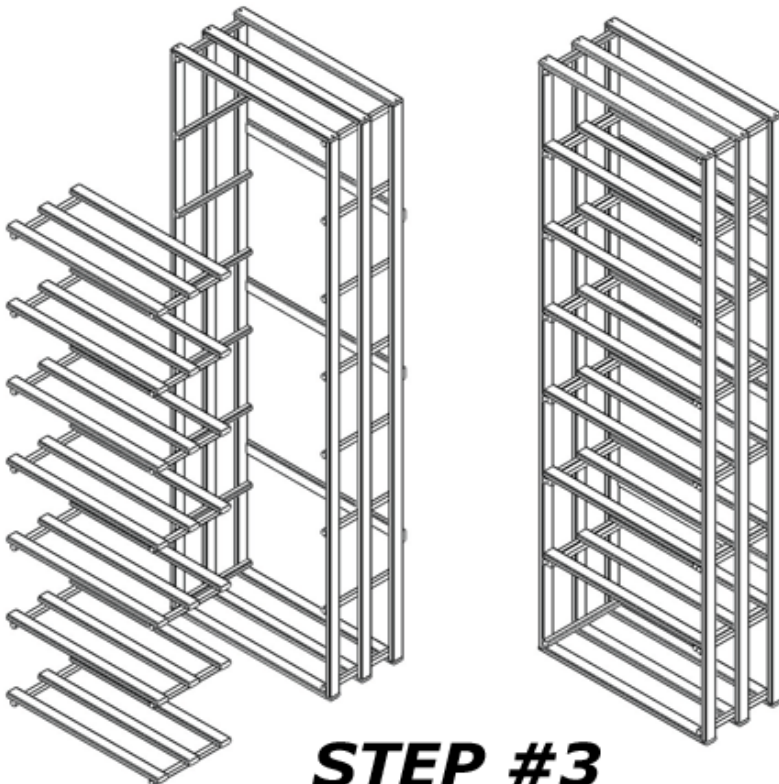


STEP #1

Step #2: Attach the back braces to the case bin ladders using the screws provided. Space them out evenly between the shelf supports.

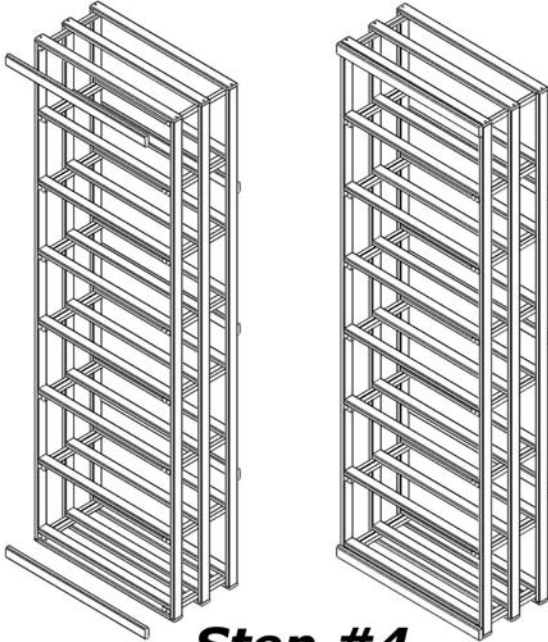


STEP #2



STEP #3

Step #3: Place the shelves on the shelf supports. These shelves were designed to sit in place and not need permanent attachment. If you do wish to attach the shelves you can do so at this time using finishing nails, staples, screws or glue (not supplied)



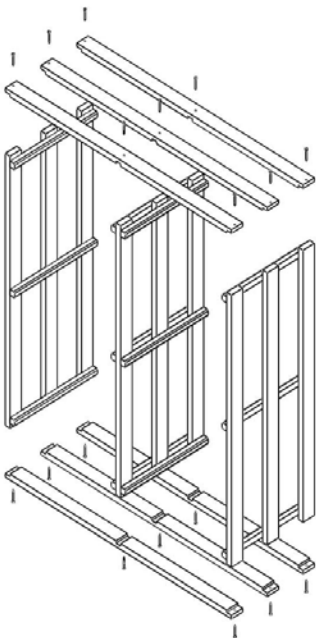
Step #4

Step #4: If your design includes top and bottom trim then this is the time to put them on. Screws are provided to attach the trim pieces. If you prefer these can also be attached using finishing nails or staples with a little wood putty (Not Provided).

NOTE: Even though this rack is designed to stand alone we recommend that you secure it to a wall to prevent accidental injuries. The Back Braces are an excellent way to firmly attach your rack to the wall.

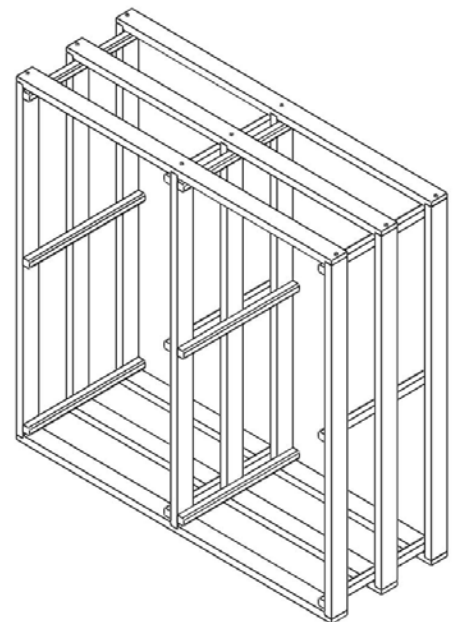
D. Diamond and X Bins

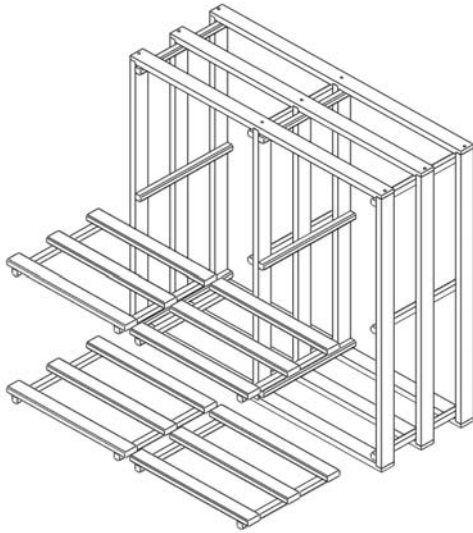
D.1 Lattice Diamond Bin



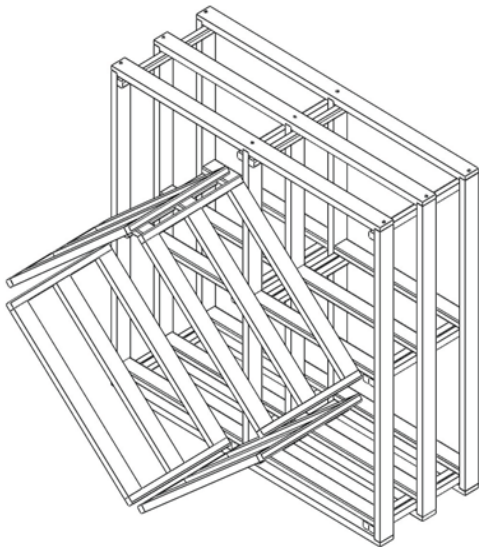
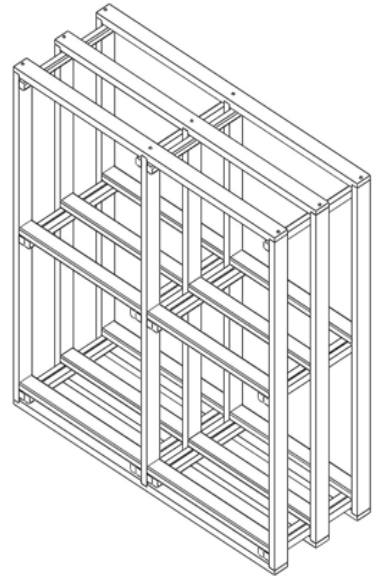
Step #1: Attach the top and bottom stabilizers to the ladders using the screws provided.

Step #2: Attach the back bracing to the rack. Not shown in drawing, see Step #2 in Case Bins for image.

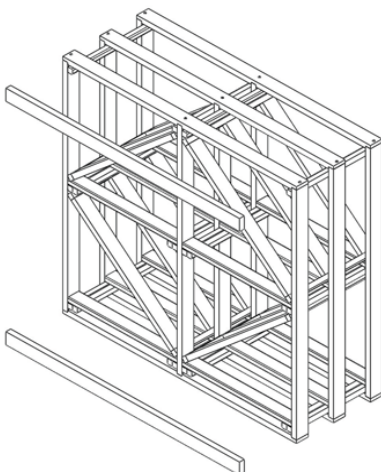
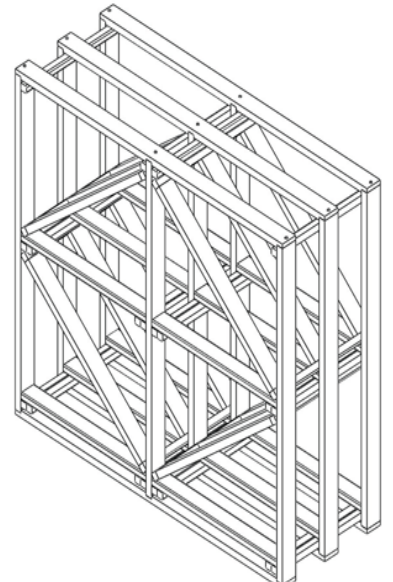




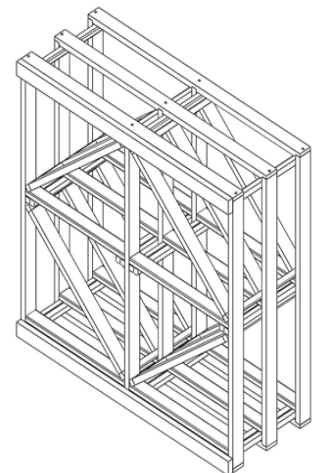
Step #3: Place the shelves on the shelf supports. These shelves were designed to sit in place and not need permanent attachment. If you do wish to attach the shelves you can do so at this time using finishing nails, staples, screws or glue (not supplied)



Step #4: Now Place the angled shelves into the rack. These can be placed in the traditional Diamond pattern or can be turned to create an X or other shapes.



Step #5: Attach the top and bottom trim to the front of the rack. If you would like to attach it to the wall you may attach the back bracing to the wall at this time.

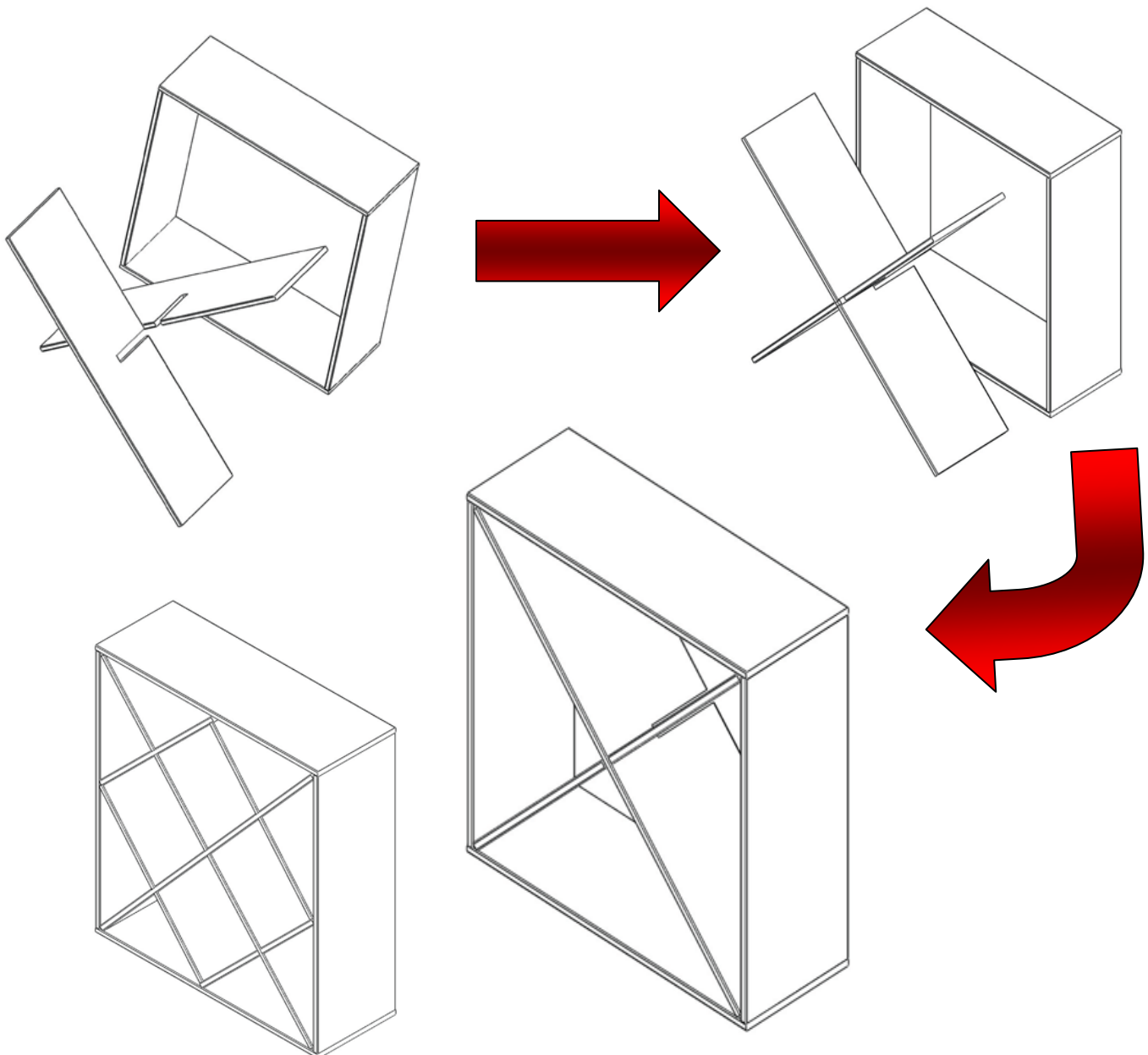


D.2 and D.3 X-Bin and Diamond Bin

Solid X-Bins and Diamond bins are usually shipped assembled.

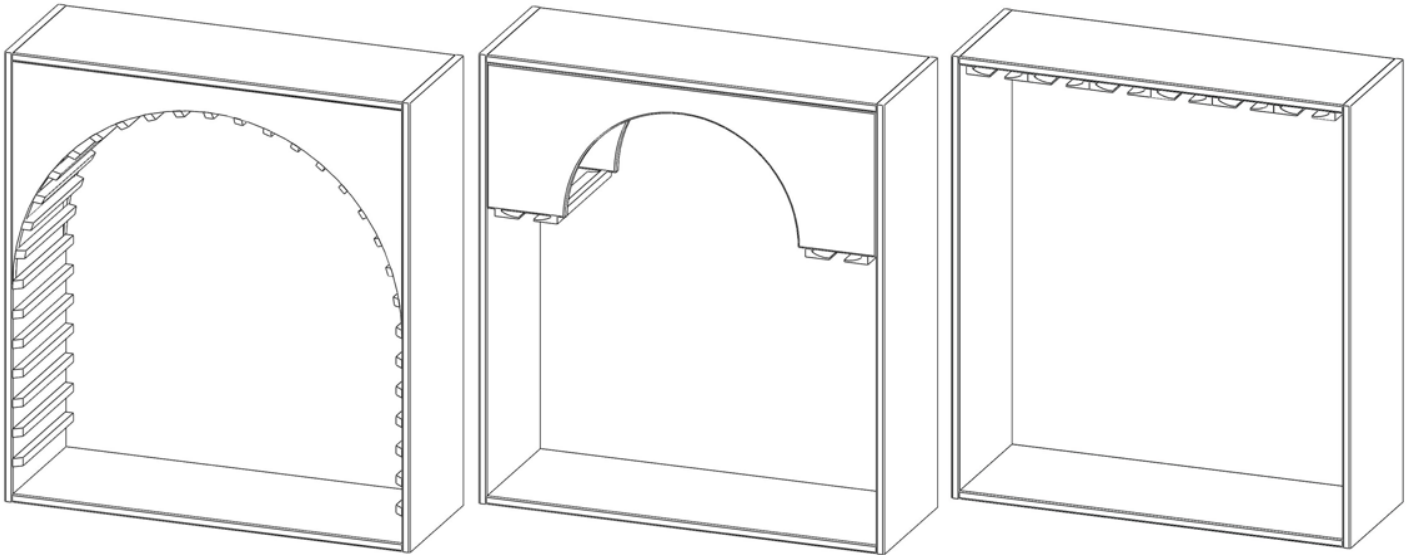
If your x-Bin/Diamond Bin is shipped disassembled then see direction below.

- 1) Start by attaching the top and bottom to the left and right side.
- 2) Interlock the shelves together and slide them into the rack. This image shows an X-Bin, Diamond bin will be the same but will have 4 more shelves.
- 3) Place Rack where you would like it and attach it to other racks if you feel it is necessary.



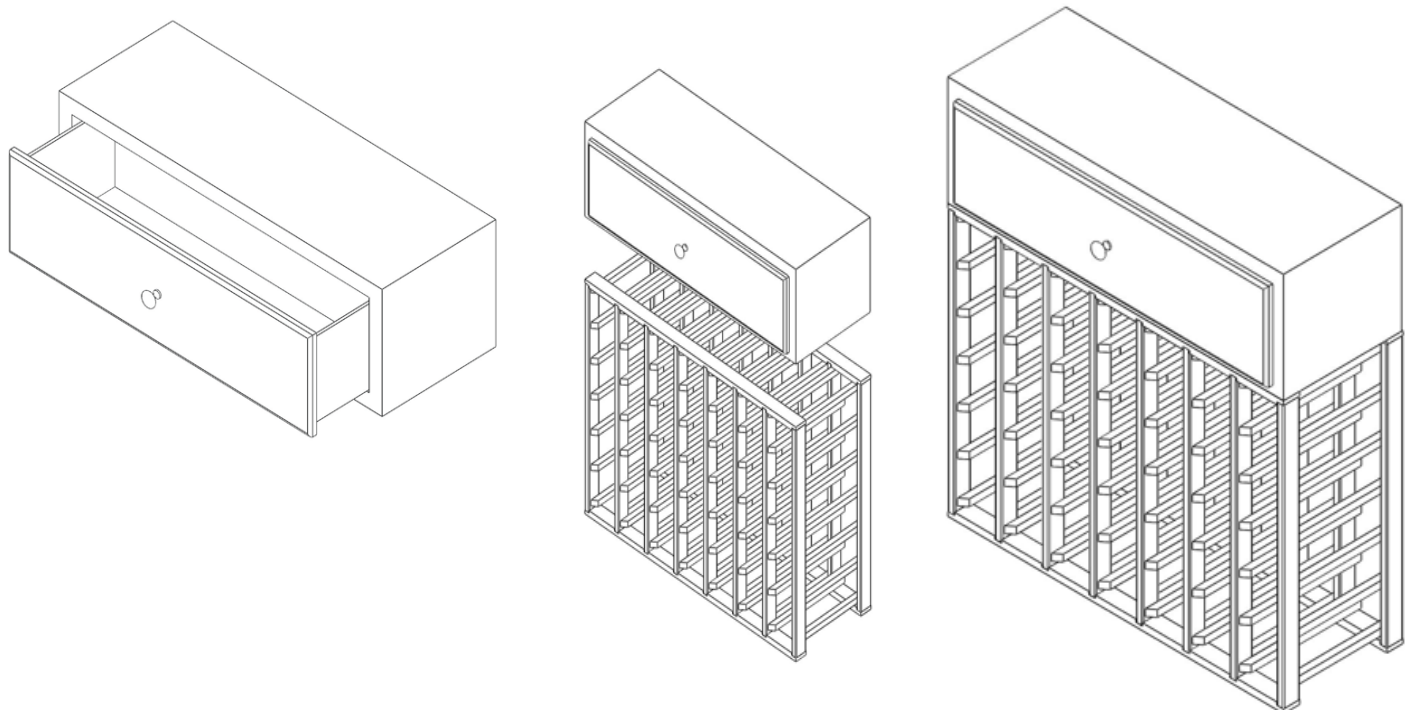
E. Decanter's

Decanters will usually ship assembled.



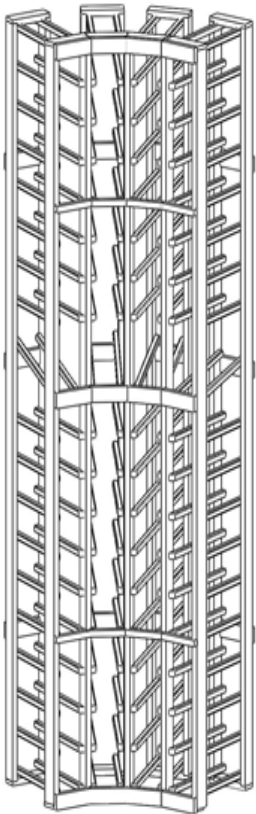
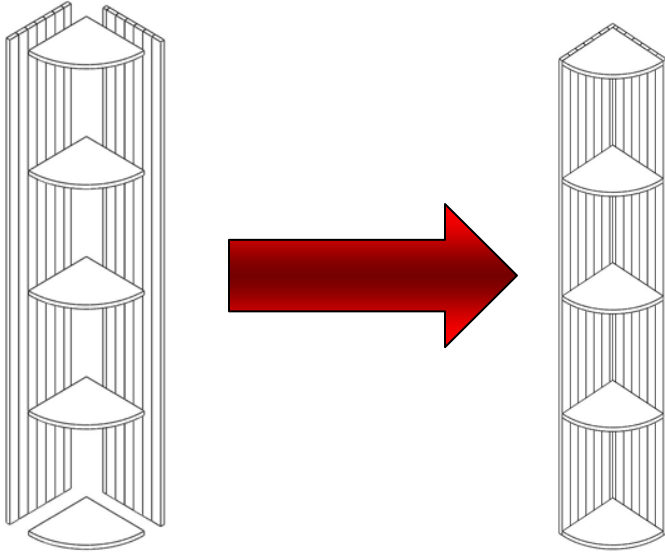
F. Drawers

Drawers are manufactured as a self contained unit and will not need assembly. Just place the drawer assembly on top of and underneath the racks it will go with (as seen below).



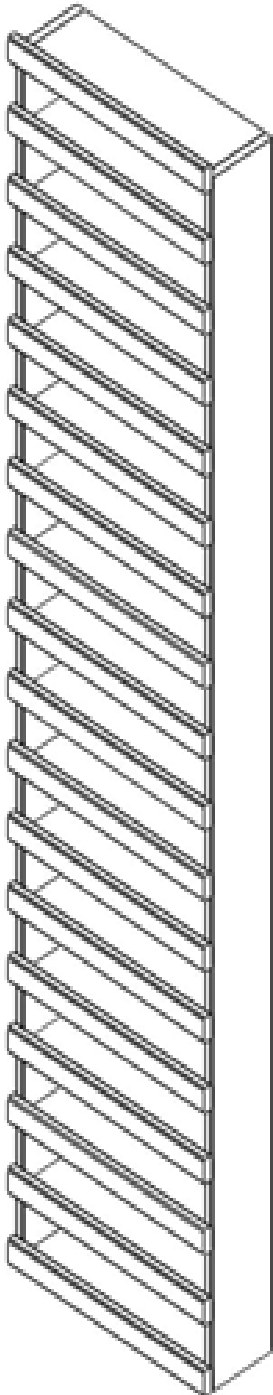
G. Quarter Round Wine Shelf

Quarter round wine shelves are usually shipped assembled but if they are sent unassembled then just attach all the vertical strips to the shelves using the provided screws.



H. Curved Corners

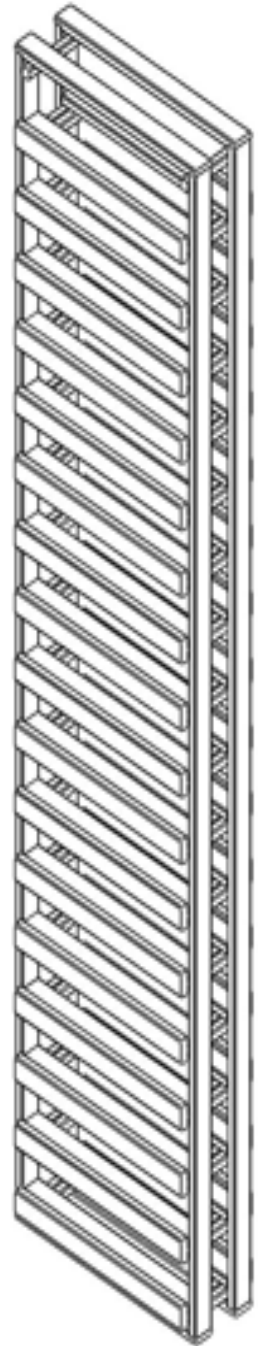
Curved corners are shipped assembled. The front spacers are the only thing that needs to be put on. Front spacers can be put on several different ways. Gluing and screwing are two ways but the most common are stapling or using finishing nails. (These are not provided)



Solid Horizontal
Display Racking

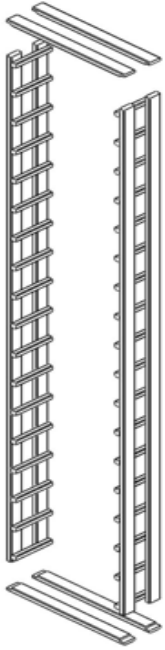
I. Horizontal Display Racking

There are several different types of horizontal display racking. The solid wood horizontal displays are shipped assemble so you just need to attach them to the wall. For Lattice horizontal displays see assembly instruction on next page.

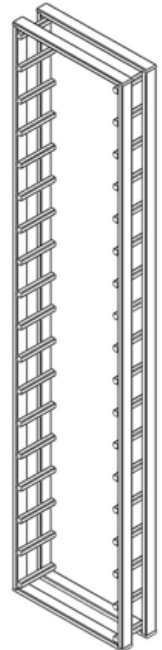


Lattice Horizontal
Display Racking

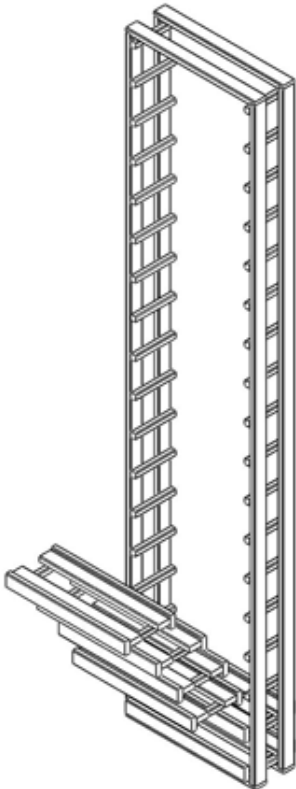
Assembly of Lattice Horizontal Display Rack



Step #1: Attach the top and bottom stabilizers to the ladders using the screws provided.



Step #2: Attach the back bracing to the rack. Not shown in drawing, see Step #2 in Case Bins for image.



Step #3: Place the shelves on the shelf supports. These shelves were designed to sit in place and not need permanent attachment. If you do wish to attach the shelves you can do so at this time using finishing nails, staples, screws or glue (not supplied)

