



Wine Cellar Temperature and Humidity Controller Instructions & User Guide

WM-CONTROL-SMART



By *Vinotemp*

www.vinotemp.com

Tel: (310) 886-3332
Fax: (310) 886-3310
Email: info@vinotemp.com

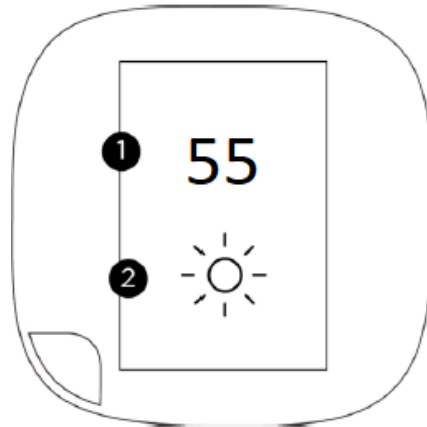
Read and save these instructions

Wine Cellar Temperature and Humidity Controller WM-CONTROL-SMART



(1) Standby Screen

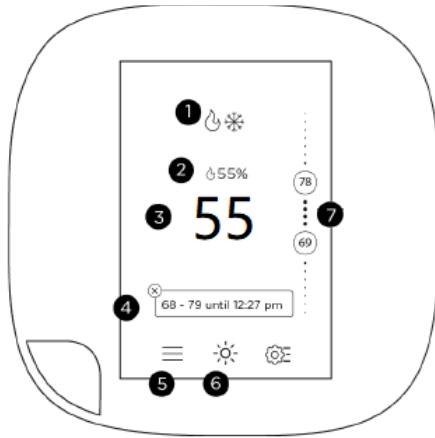
The standby screen activates whenever you are away from it.



- 1- Wine cellar temperature
- 2- Outdoor weather conditions

(2) Home Screen

The home screen activates whenever you approach it.



- 1- System mode and running equipment
- 2- Wine cellar humidity
- 3- Wine cellar temperature
- 4- Messages box
- 5- Main menu
- 6- Weather forecast
- 7- Temperature setting slider

This thermostat shall be installed in a wine cellar 5 ft above the floor, but it shall not be located in the air supply area or other areas where air is not circulated.

You can use this smart thermostat to:

- 1- Maintain a wine cellar with perfect temperature and humidity for long term storage of wine.
- 2- Monitor temperature and humidity anywhere through the Internet with smart phones.
- 3- Set up notifications of abnormal temperature and humidity through email or text message
- 4- Protect your wine from freezing at cold ambient temperature by automatically activating a heater.
- 5- Keep desired humidity by automatically activating a humidifier.

1. Thermostat Initial Setup

When the thermostat is powered on first time,

(1) Verify User

Select I'm a homeowner, touch Next.

(2) Verify Wiring

Select Yes only Rc is connected, touch Next.

Your current wired terminals will be displayed on the screen, select Yes if it is correct.

(3) Confirm Accessory

Select Humidifier, touch Next,

Select 1 Wire (ACC+), touch Next.

(4) Set Temperature Preference

Select °F, touch Next.

(5) Configure Equipment

Select Boiler for heating, touch Next.

Select Steam for humidifier, touch Next.

(6) Name Your Thermostat

Select Enter your own, touch Next.

Enter Wine Cellar as your thermostat name, touch Save.

(7) Pair Smart Sensor

Select Skip pairing, touch Next.

(8) Configure WiFi

Select Wi-Fi network, touch Next.

Select the network from the list, touch Next.

Enter the password when prompted, touch Connect.

When the connection is successfully complete, touch Next

(9) Select Your HVAC System Mode

Select Auto if you have both heating and cooling systems installed, or select Cool if you have only a cooling system installed, touch Next.

(10) Set Your Cellar Temperature

Select the default for heat, touch Next.

Select the default for cool, touch Next.

(11) Set Smart Home/Away

Select Disable, touch Next.

(12) Set Your Country & Time Zone

Select United States, touch Next.

Select your time zone, touch Next.

You 4-digit registration code will be displayed on the screen, touch Finish.

2. Adjusting Your Thermostat

(1) Select Main Menu > System

Select HVAC > Auto if you have both heating and cooling systems installed, or Cool if you have only a cooling system installed.

Select Fan > Auto, swipe left or right to select 20 min for the Minimum Fan Runtime.

Select Humidifier > On if the humidifier is installed, swipe left or right to select 50 % for the relative humidity level.

(2) Select Main Menu > Settings > Preferences

Select Heating Range > Slide the set-point bubbles up and down to 45 ~ 65°F > Save

Select Cooling Range > Slide the set-point bubbles up and down to 45 ~ 65°F > Save

Select Hold Action > Decide at time of change

Select Heating Smart Recovery > Disable.

Select Cooling Smart Recovery > Disable.

(3) Select Main Menu > Comfort Settings >

Select Home > Heat 45°F, Cool 55°F, Fan Auto > Save

Select Away > Heat 45°F, Cool 55°F, Fan Auto > Save

Select Sleep > Heat 45°F, Cool 55°F, Fan Auto > Save

(4) Select Main Menu > Settings > Installation Settings

Select Equipment > Humidifier > Type > Steam

Select Threshold > Compressor Min Outdoor Temperature > Disable

(5) Select Main Menu > Sensor

Select Smart Home/Away > Disable

(6) Select Main Menu > Reminders & Alerts > Preferences

Select Low Temp Alert > Enable, 45 °F > Save

Select High Temp Alert > Enable, 65 °F > Save

Select Low Humidity Alert > 40%

Select High Humidity Alert > 80%

(7) Select Main Menu > Settings > Access Control

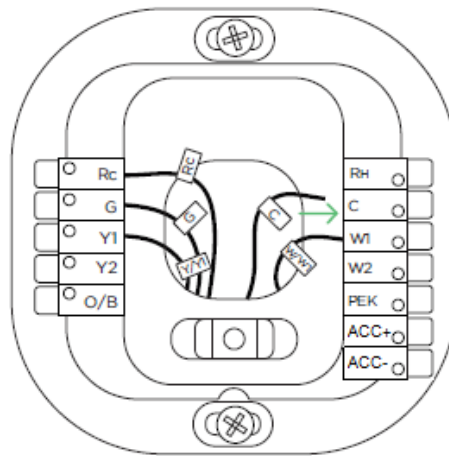
Select Enable Security Code

Enter the 4-digit access code when prompted, touch Save and select All.

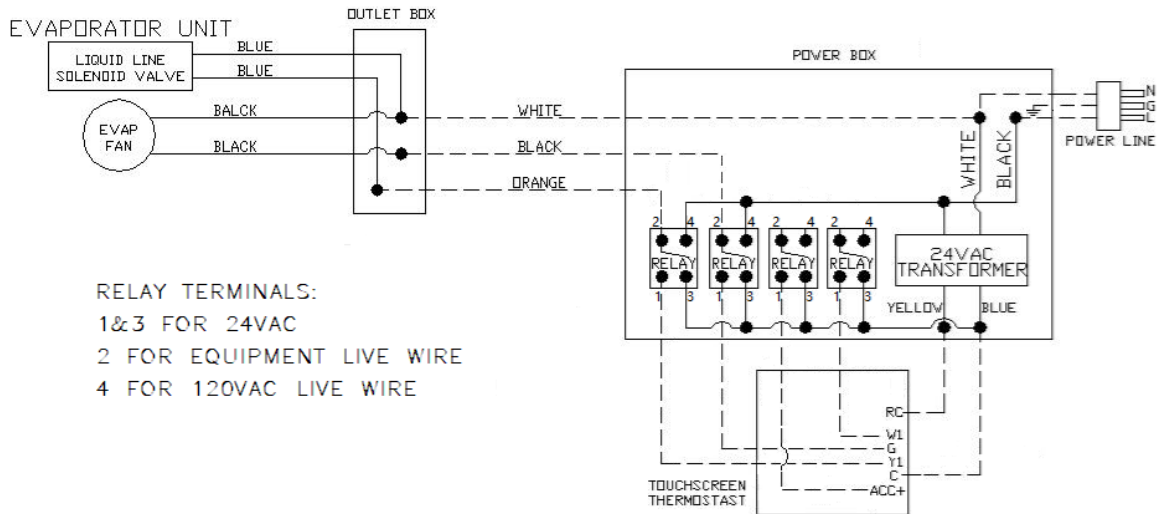
You can control the cellar temperature and monitor the humidity anywhere. You can set up notifications of low & high temperature and low & high humidity.

3. Wiring Diagrams

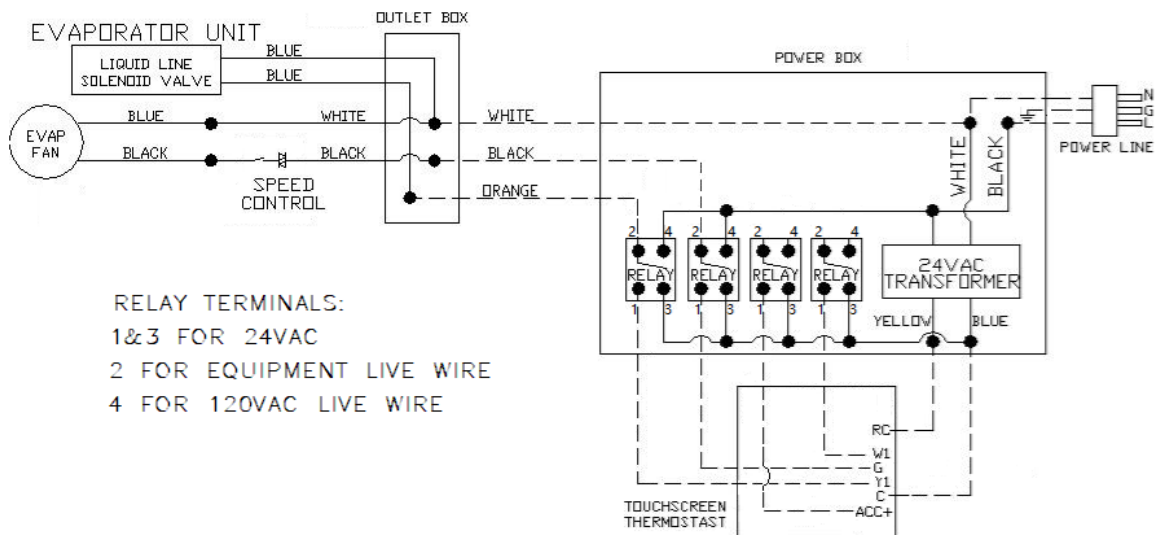
NOTE	<ol style="list-style-type: none">1. Hidden lines are for field wirings.2. Use minimum 14 gauge wires for power lines.3. Use 18 gauge wires for thermostats and sensors.4. If the unit is equipped with low ambient condition kit, use the low ambient temperature wiring diagrams.5. A safety switch is always recommended for a condensing unit.6. W1 is the 24VAC power for the relay (contactor) of an optional mechanical heater. Set the thermostat of the heater at its maximum.7. ACC+ is the 24VAC power for the relay (contactor) of an optional mechanical humidifier. Set the humidistat of the humidifier at its maximum.
-------------	--



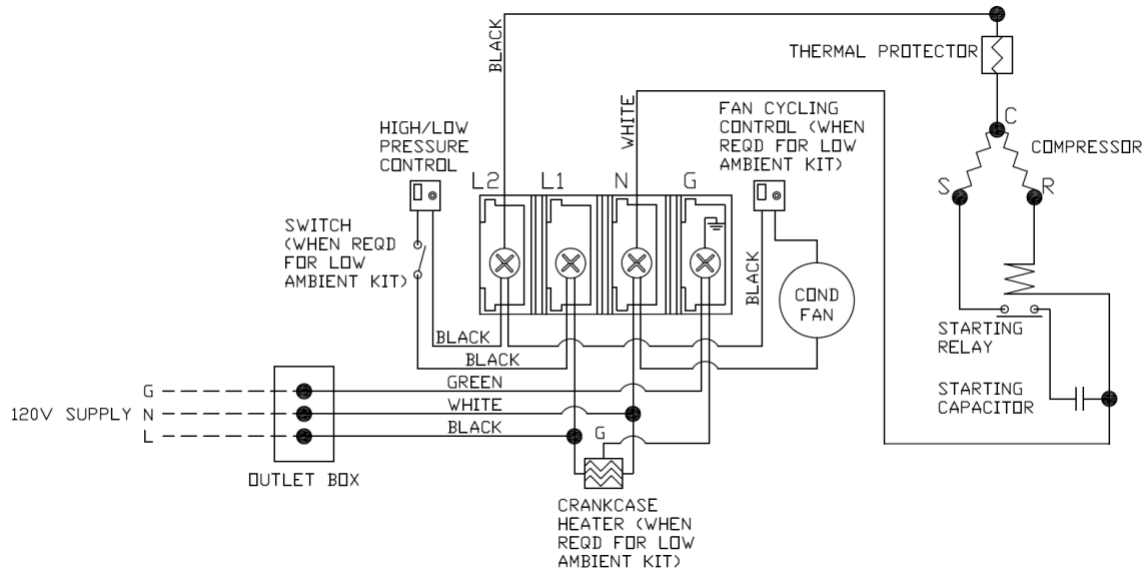
1) Fan Coil Wiring Diagram (WM-25~85SFCD, WM-15~45SFCl, WM-15~85SFCL, WM-15~45SFCO, WM-45~120SFCS, WM-15~45SFCW)



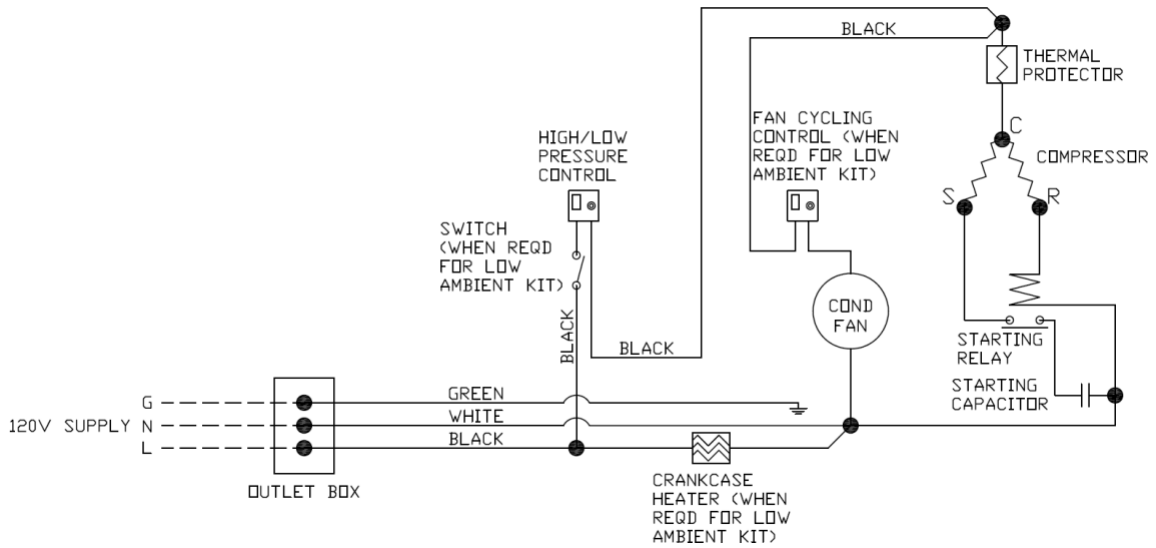
2) Air Handler Wiring Diagram (WM-25~120SFCA, WM-25~120SFCH, WM-25~65SFCR, WM-25~65SFCV)



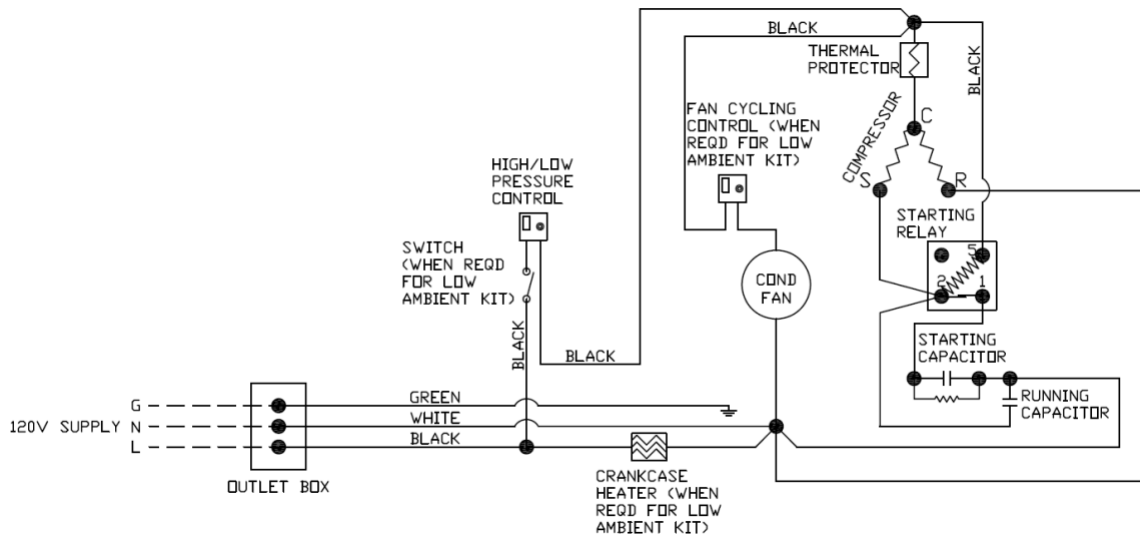
3) Condensing Unit WM-150~450SCUR Wiring Diagram



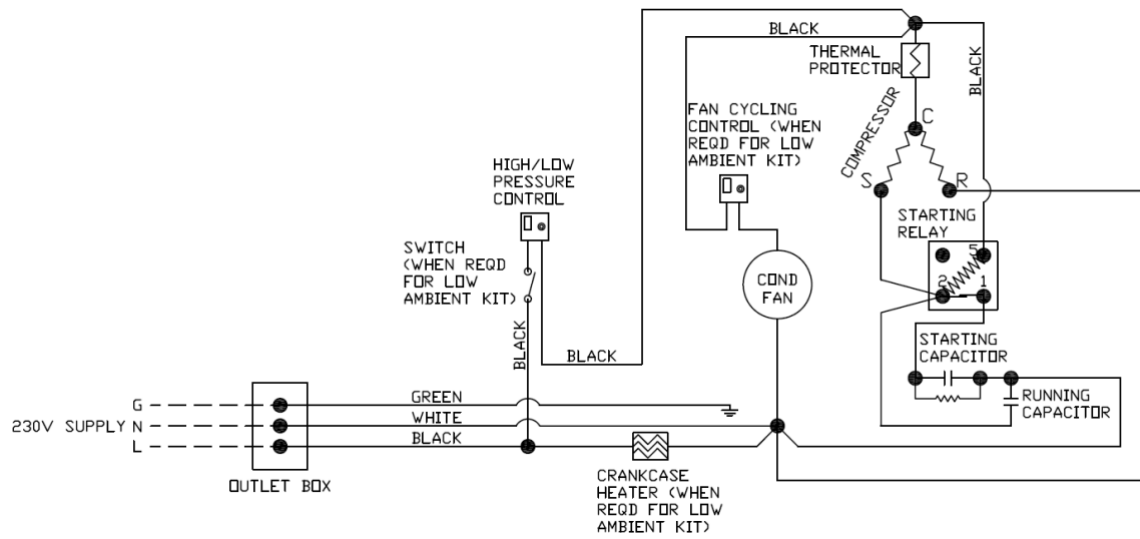
4) Condensing Unit WM-650SCUR Wiring Diagram



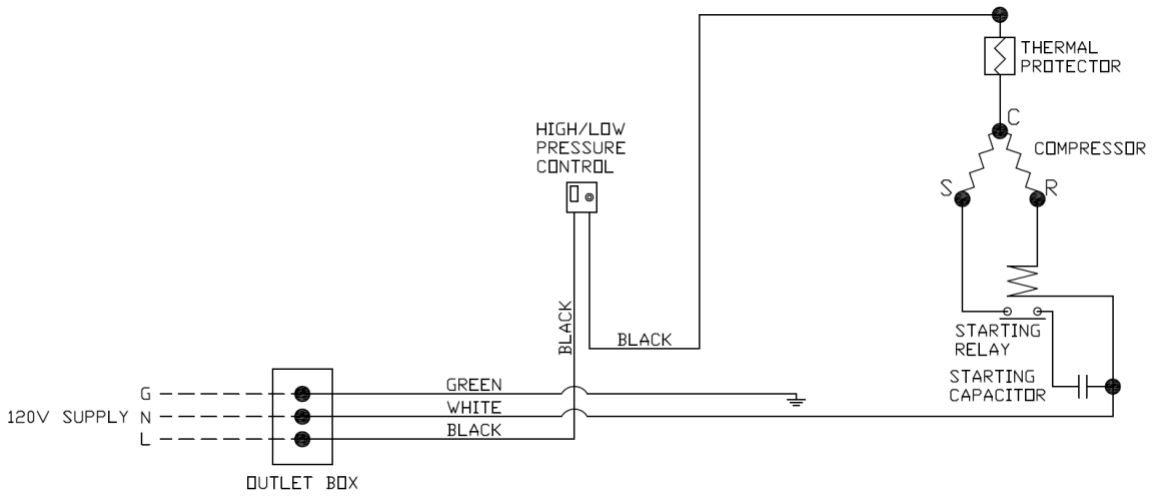
5) Condensing Unit WM-850SCUR Wiring Diagram



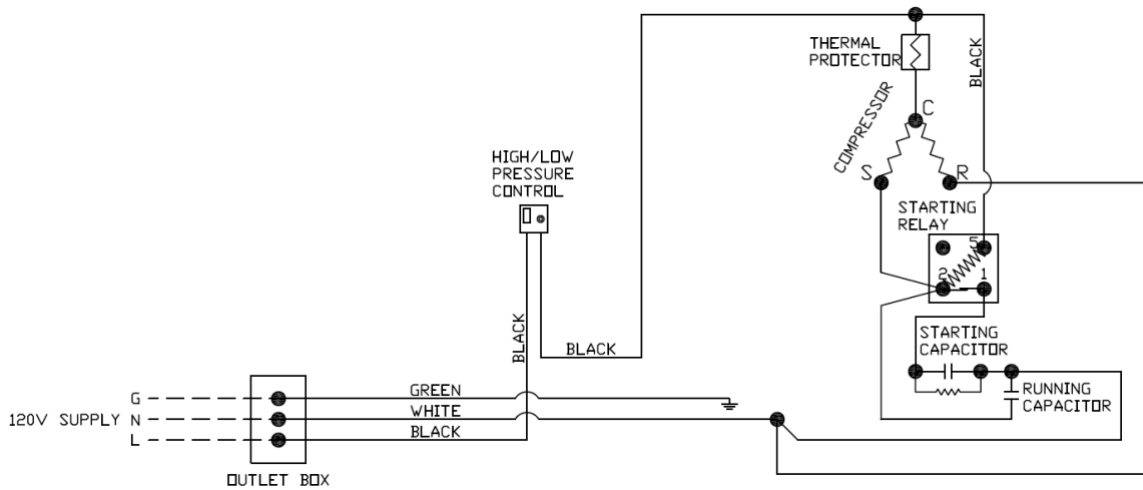
6) Condensing Unit WM-1203SCUR Wiring Diagram



7) Condensing Unit WM-250~650SCUR-WC Wiring Diagram



8) Condensing Unit WM-850SCUR-WC Wiring Diagram



9) Condensing Unit WM-1203SCUR-WC Wiring Diagram

