

# G-COAT 406 - the attractive solution for automatic double-sided screen coating



**G-COAT 406**

**Grünig**

Grünig-Interscreen AG  
Ringgenmatt 14  
CH-3150 Schwarzenburg  
Switzerland

Phone +41 31 734 2600  
Fax +41 31 734 2601  
[www.grunig.ch](http://www.grunig.ch)  
[mail@grunig.ch](mailto:mail@grunig.ch)

# G-COAT 406

## Automatic coating machine



Control panel



Coating carriage



Upper screen holder



Lower screen holder

### The main features at a glance:

- Recently developed coating machine of extremely compact and low-maintenance construction type
- The machine is available in two sizes, for screens up to 700 x 1000 mm or 1000 x 1400 mm (25 x 39 or 35 x 55 inch)
- The PLUG & COAT system has been designed for trouble-free installation and commissioning: unwrap – set up – coat
- The machine has been constructed as a bench-top model; it can be operated on any work surface that offers sufficient stability.
- To make sure that the machine can also be set up on the floor, an easy-to-mount sub-construction is available as an option.
- The upper screen holder can easily and rapidly be adjusted within a range of 250 to the max. height, to cater to the various screen formats.
- The screen holders can be adapted to match frame profile thicknesses between 5-25 mm or 20-40 mm.
- All the pertinent coating parameters can be smoothly and easily programmed by means of the control panel.
- This machine provides for one-sided or double-sided simultaneous screen coating.
- To optimize the coating surface, the frame profile height can be adjusted within a range of 25 and 100 mm via a rotary knob on the control panel.
- The contact pressure and the trough tipping procedures are controlled by the pneumatic system.
- Extremely smooth operation of the coating carriage thanks to the use of special sliding guides and a special toothed belt drive unit.
- Safely reproducible coating results with direct coating wet-on-wet or during subsequent coating.
- Easy-to-use manual functions

### Coating parameters

- Coating speed (15 - 65 mm/s)
- Number of coatings on squeegee side (0 - 10)
- Number of coatings on print side (0 - 10)
- Flow time (0 - 10 seconds)
- Frame profile height (25 - 100 mm)

### Option FS

- Footswitch

### Option U

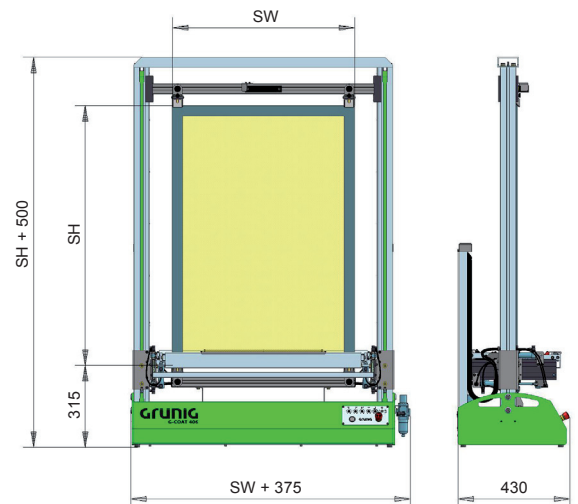
- Sub-construction for mounting the machine on the floor. The height of the sub-construction is 540mm

### Option Z

- Additional screen fastening device for simultaneous treatment of two screens.



Screen format	SW screen width	mm	700, 1000
	SH screen height	mm	1000, 1400
	Frame profile height	mm	25-100
	Frame profile thickness	mm	5-40
Dimensions	Width	mm	SW + 375
	Height	mm	SH + 500
	Depth	mm	430
Power supply	Voltage	V	1x230+N+PE 1x110+N+PE
	Frequency	Hz	50/60
Permanent sound pressure level		dB (A)	< 70



All measures in mm



The machine is in compliance with the EU machinery directives (CE conformity)

Technical changes are reserved

March 2020