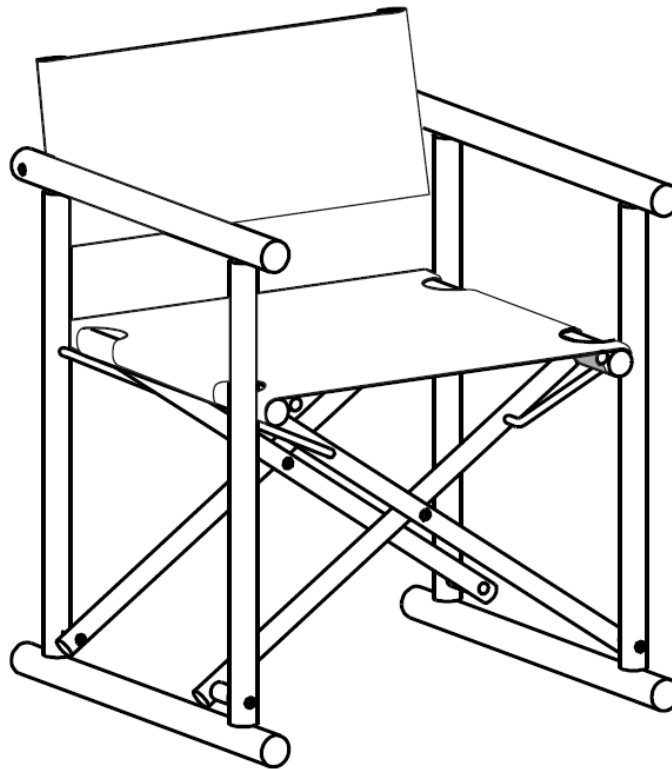


woven

We're rethinking how outdoor furniture is designed, cared for, and disposed of. This is a new way to enjoy life outdoors—designed after nature's own genius, using natural materials, and made with respect for our collective home.

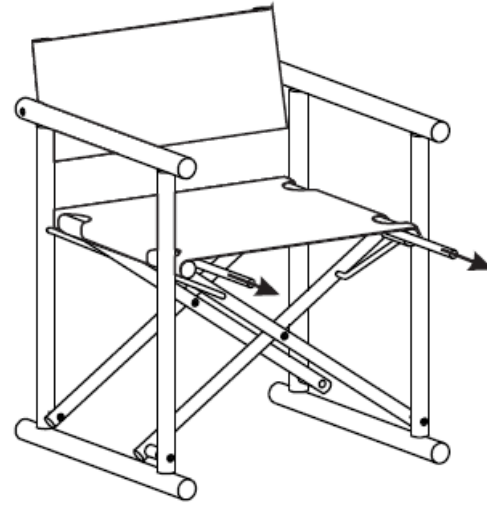
Now let's get you one step closer to enjoying nature, naturally.



Campo Director's Chair
Disassembly Instructions
For Washing and Care

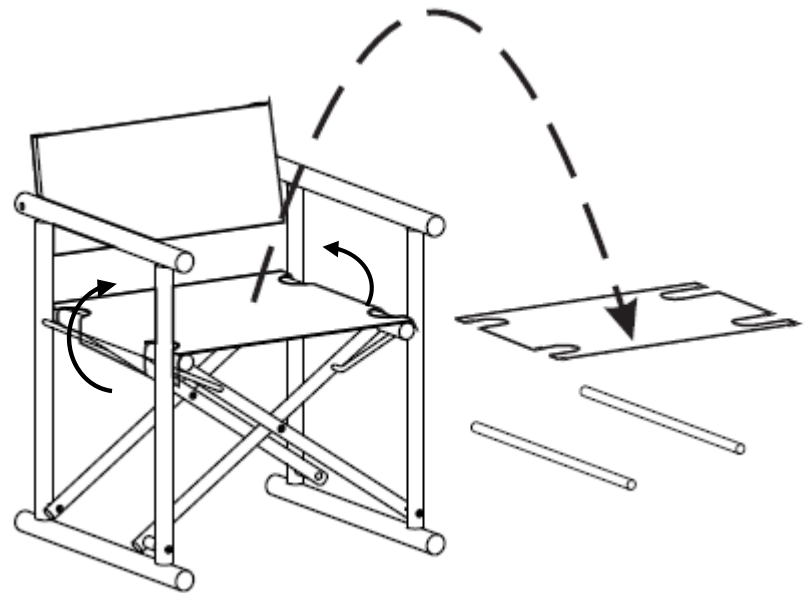
STEP 1

Remove the wooden dowels from pockets in the fabric and from underneath the seat.



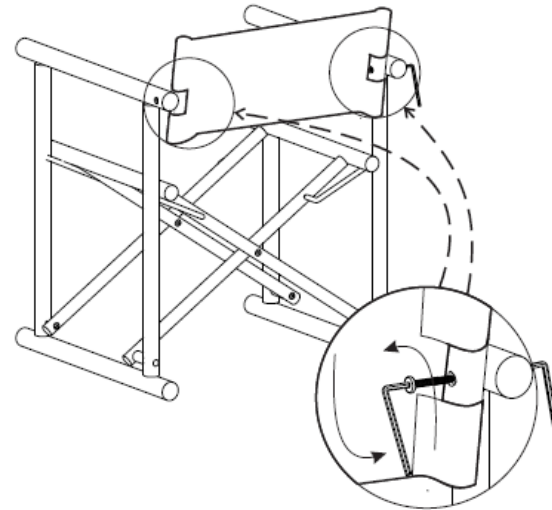
STEP 2

Unwrap the fabric from the frame.



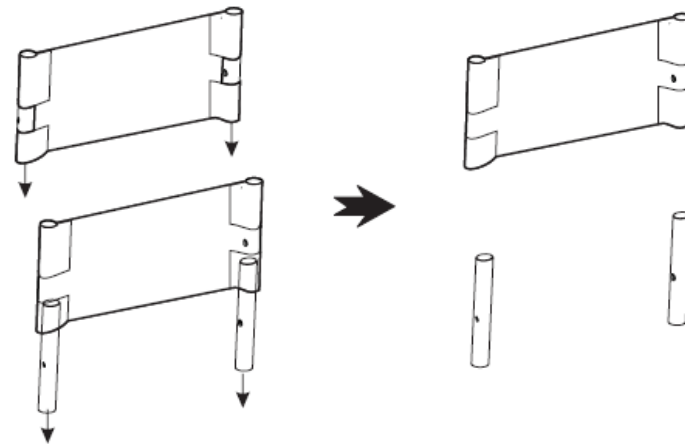
STEP 3

Remove the screws with a hex wrench from the arms holding the backrest in place.



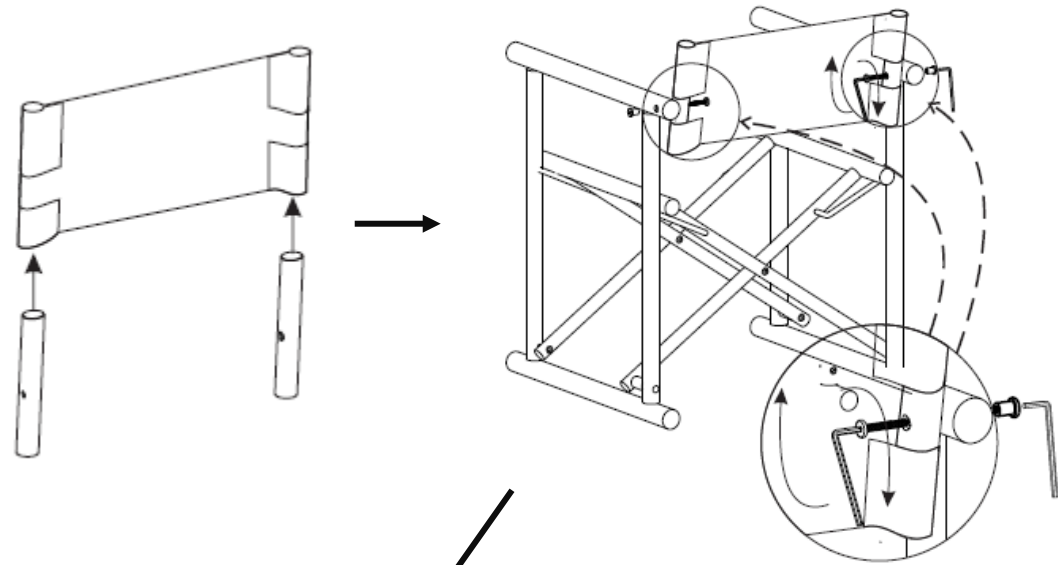
STEP 4

Remove the dowels inserted into the pocket of the backrest fabric.



STEP 5

Machine wash cold with mild detergent or a bleach detergent if treating stains. Hang to dry.



STEP 6

Complete step 1-4 in reverse order, making sure to thread the dowels on the top side of the X-Base and through the pockets in the fabric.

