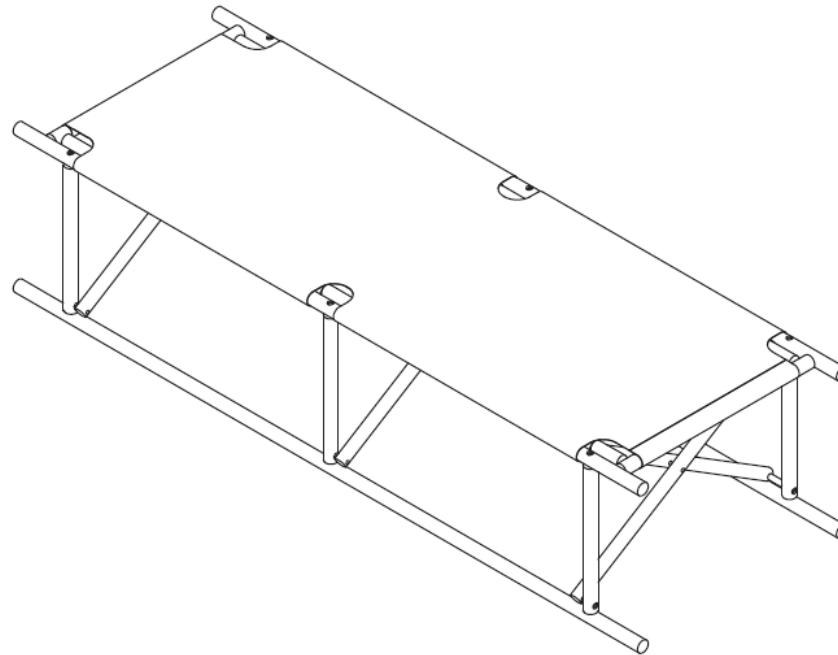


woven

We're rethinking how outdoor furniture is designed, cared for, and disposed of. This is a new way to enjoy life outdoors—designed after nature's own genius, using natural materials, and made with respect for our collective home.

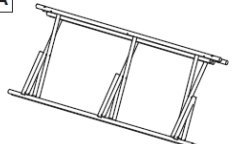
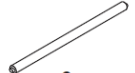


Now let's get you one step closer to enjoying nature, naturally.



STEP 1

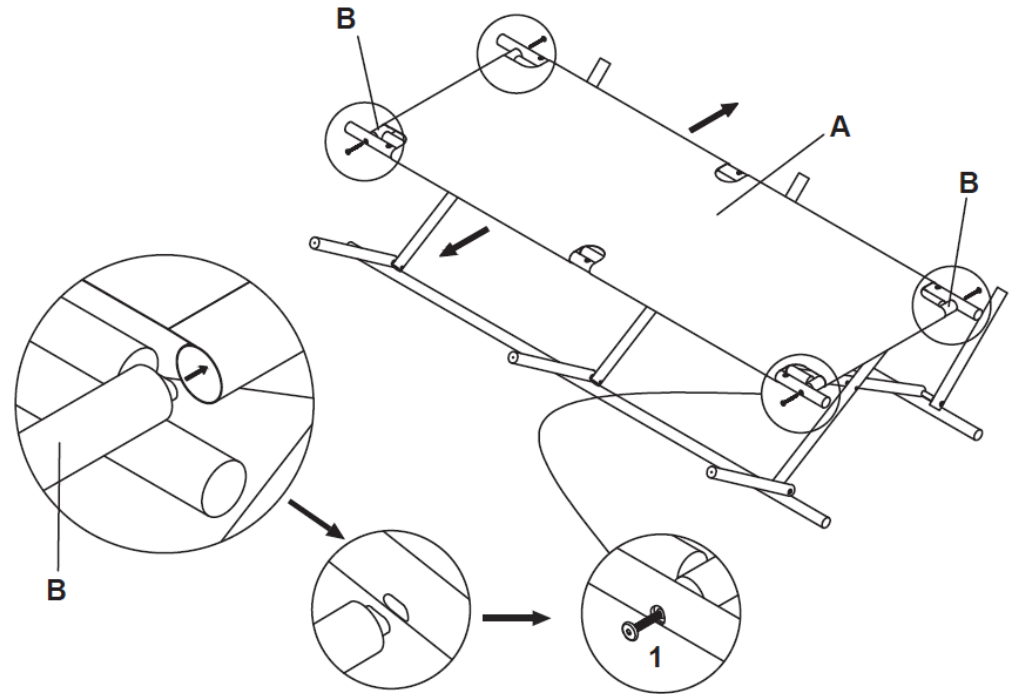
Unbox your purchase and layout all the parts.

PART LIST

A	
	1 pc
B	
	2 pcs
1	
	Screw M6*70 (10pcs)
2	
	Allen key M4 (1pc)

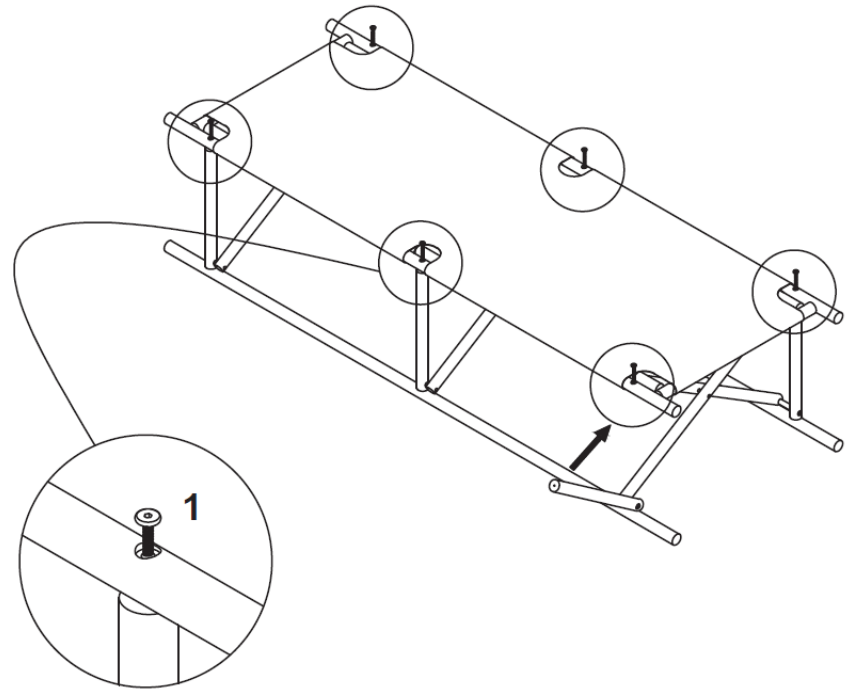
STEP 2

Lay Frame A on the ground. Slide dowel B into the stitched pocket on the fabric at the ends of frame A. Thread screw 1 through the side of frame A at all 4 corners and tighten the screws with Allen key 2.



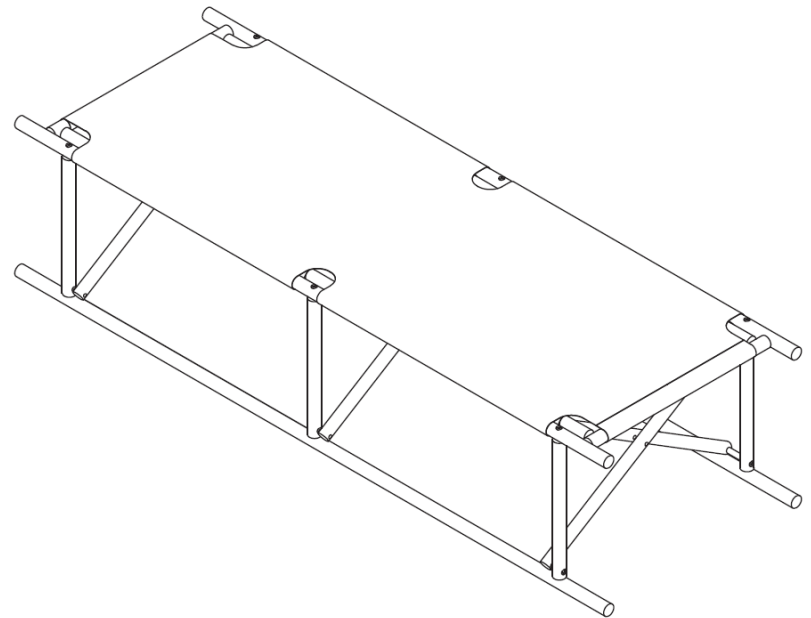
STEP 3

Rotate the 6 legs on Frame A into place and thread Screw 1 through the top of the frame into the legs.



STEP 4

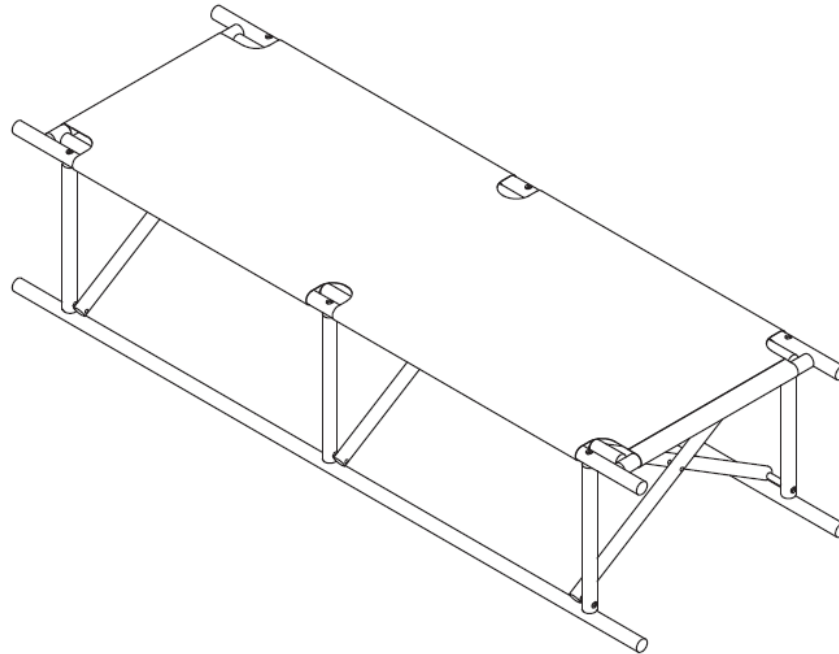
Your cot is fully assembled and ready for use



woven

We're rethinking how outdoor furniture is designed, cared for, and disposed of. This is a new way to enjoy life outdoors—designed after nature's own genius, using natural materials, and made with respect for our collective home.

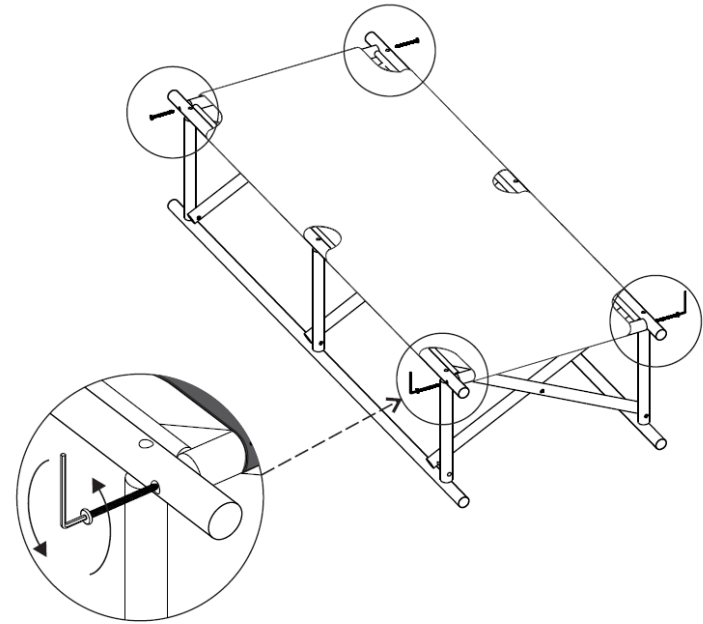
Now let's get you one step closer to enjoying nature, naturally.



Campo Cot
Assembly and
Disassembly Instructions
For Washing and Care

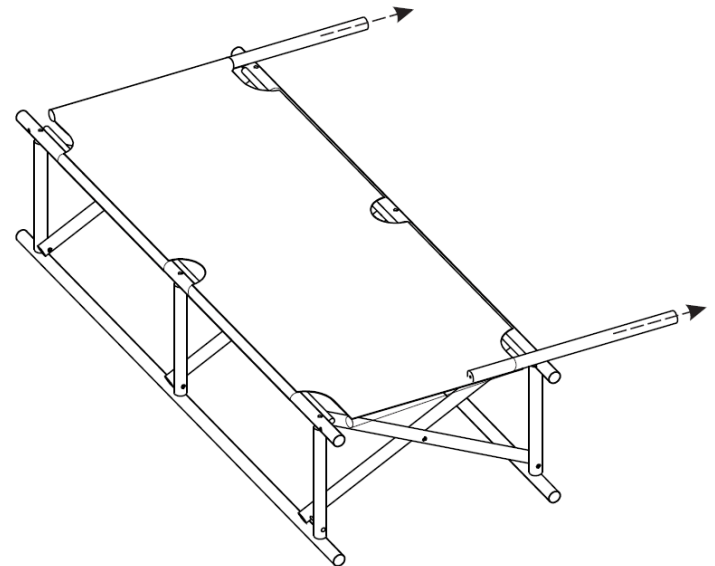
STEP 1

Remove screws from side rails of the cot holding the end dowels in place with a hex key.



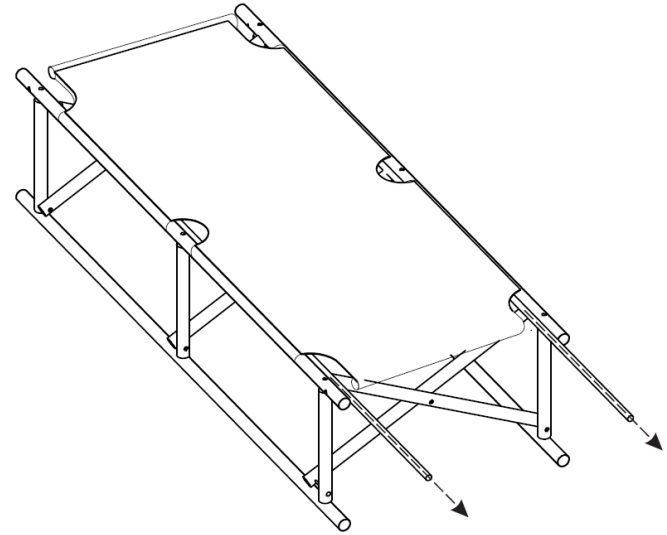
STEP 2

Remove dowels from fabric pockets on the ends of the cot.



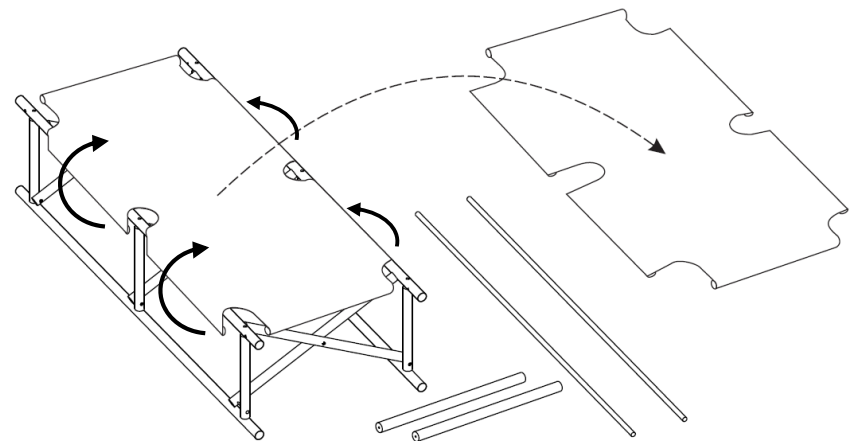
STEP 3

Remove the wooden dowels on the sides of the cot from the pockets in the fabric and from underneath the seat.



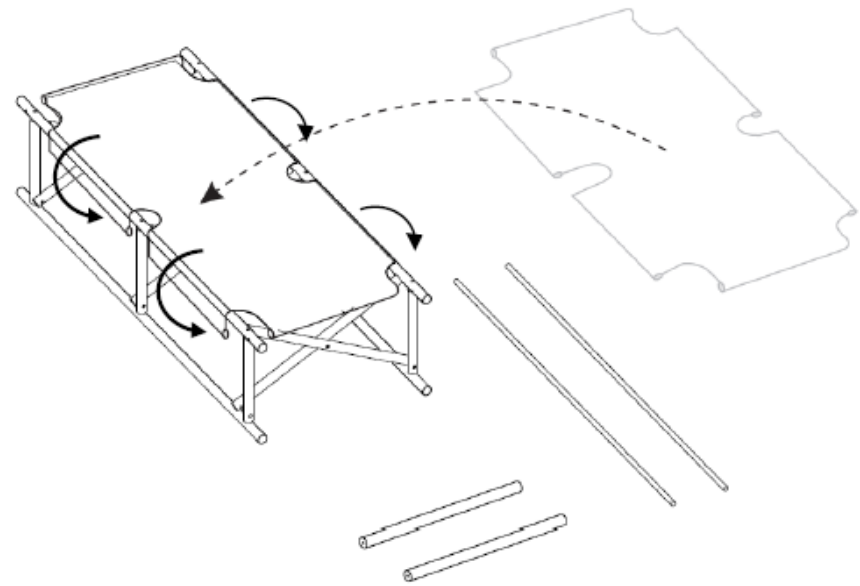
STEP 4

Unwrap the fabric from the frame.



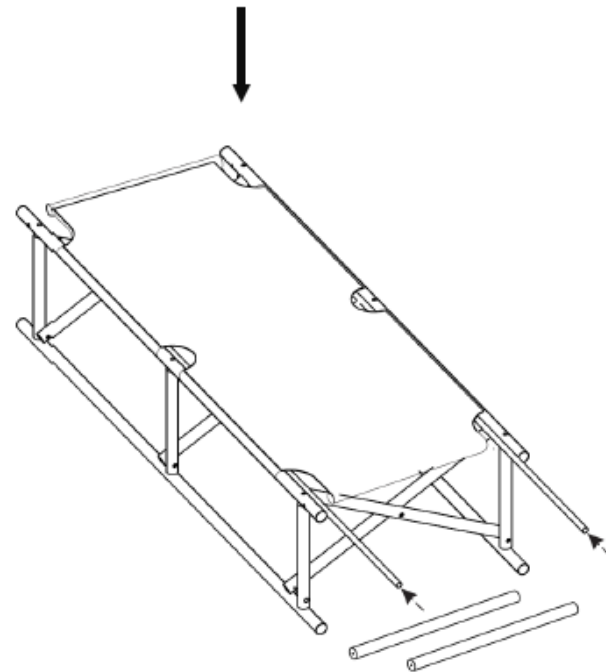
STEP 5

Machine wash cold with mild detergent or a bleach detergent if treating stains. Hang to dry.



STEP 6

Complete step 1-4 in reverse order, making sure to thread the dowels on the top side of the X-base and through the pickets in the fabric



STEP 6

Complete step 1-4 in reverse order, making sure to thread the dowels on the top side of the X-base and through the pickets in the fabric

