

woven

We're rethinking how outdoor furniture is designed, cared for, and disposed of. This is a new way to enjoy life outdoors—designed after nature's own genius, using natural materials, and made with respect for our collective home.

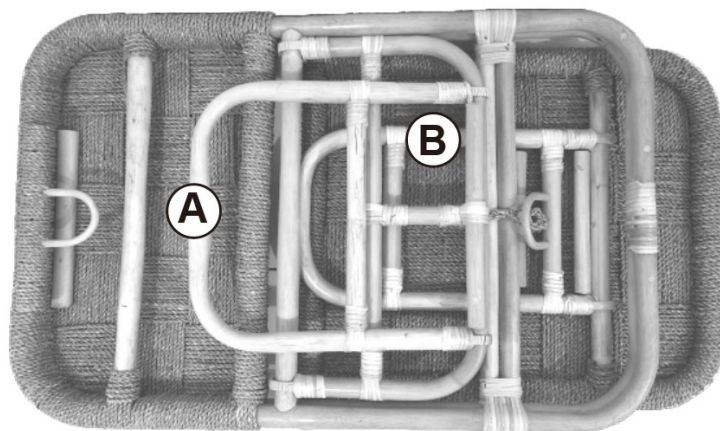
Now let's get you one step closer to enjoying nature, naturally.



Cabana Beach Chair
Assembly Instructions

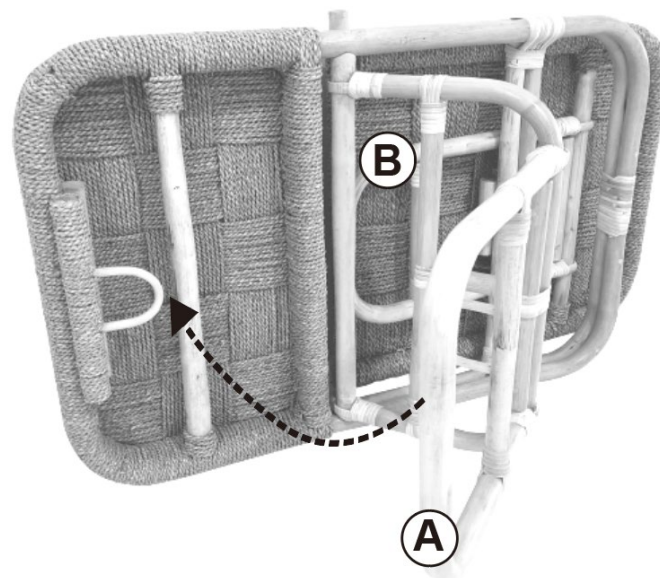
STEP 1

Remove the Cabana Beach Chair from the box and stand it on its side.



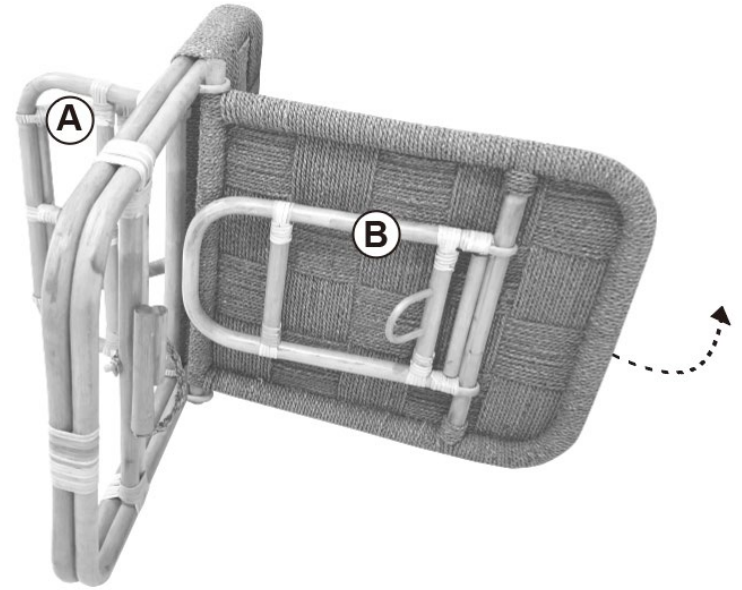
STEP 2

Hinge rattan frame A out and insert the end of frame A between the rattan cross bar and loop in seat. Bend the loop out slightly if necessary.



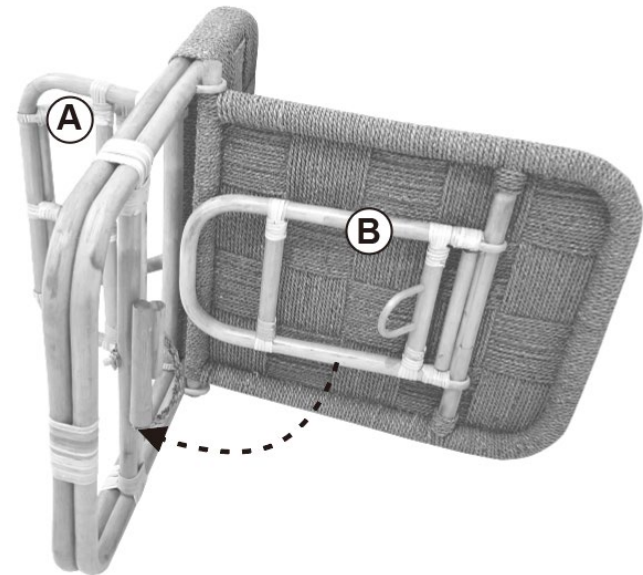
STEP 3

Unfold the back from the main frame, exposing rattan frame B.



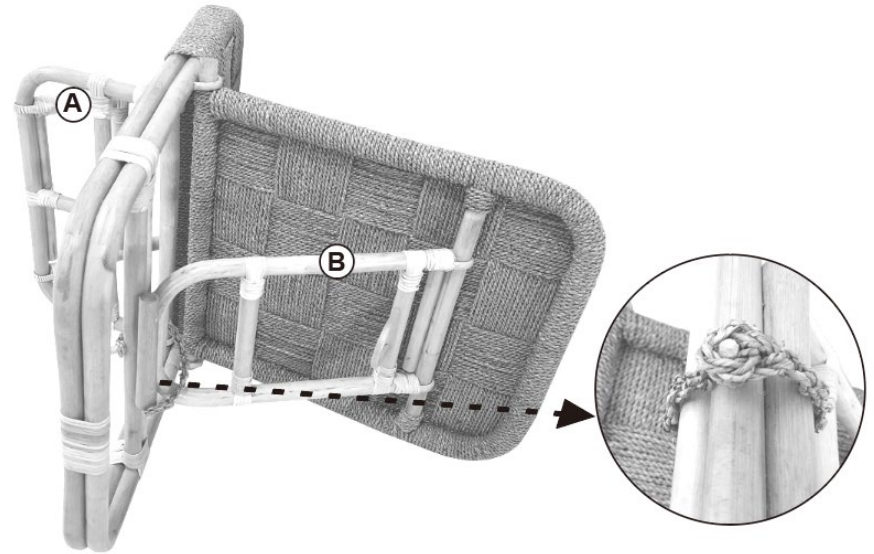
STEP 4

Unfold rattan frame B from the back frame, inserting the end of rattan frame B into the slot between the 2 pieces of rattan on the main frame.



STEP 5

With rattan frame settled between the two poles of rattan on the main frame, wrap the rope attached to the main frame around frame B and slip the loop in the rope over the rattan peg in the main frame.



STEP 6

Flip the chair up right to its final seating position.



The Cabana Beach Chair is intended to be used on the go. Its unique design folds flat and its light weight allows for the chair to easily be carried with you to your next day at the beach or in the park. It is a perfect and stylish chair to be used on a multitude of surfaces but is best when used in sand, gravel, and grass. It is not intended as a permanent solution in your home but can be used this way with care. As with any portable folding chair, care must be taken when sitting in or getting up from the chair as to not tip over.

If you have any questions or feedback,
please email info@wovenshop.com.