

# EXERCISE BIKE GUIDE



## EXERCISE BIKE GUIDE

English 3

## GUIDE DU VÉLO D'EXERCICE

Français 9

## GUÍA DEL USUARIO DE LA BICICLETA ESTÁTICA

Español 15





3	ENGLISH
10	FRANÇAIS
17	ESPAÑOL



## SAVE THESE INSTRUCTIONS

Read the OWNER'S GUIDE before use. When using an electrical product, basic precautions should always be followed, including the following: Read all instructions before using this equipment. It is the responsibility of the owner to ensure that all users of this equipment are adequately informed of all warnings and precautions. If you have any questions after reading this guide, contact Customer Tech Support.

It is essential that this equipment is used only indoors, in a climate-controlled room. If your exercise equipment has been exposed to colder temperatures or high moisture climates, it is strongly recommended that this equipment is warmed up to room temperature prior to use.

This equipment is intended for in-home use only. Do not use this equipment in any commercial, rental, school or institutional setting. Failure to comply will void the warranty.

## WARNING

### TO REDUCE THE RISK OF BURNS, FIRE, ELECTRICAL SHOCK OR INJURY TO PERSONS:

- Use this equipment only for its intended use as described in this guide and in the equipment's Owner's Manual.
- At NO time should children under the age of 14 use the equipment.
- At NO time should pets or children under the age of 14 be closer to the equipment than 10 feet / 3 meters.
- This equipment is not intended for use by persons with reduced physical, sensory or mental capabilities, or lack of experience and knowledge, unless they are supervised or have been given instruction concerning use of the equipment by a person responsible for their safety.
- Always wear athletic shoes while using this equipment. NEVER operate the exercise equipment with bare feet.
- Do not wear any clothing that might catch on any moving parts of this equipment.
- Heart rate monitoring systems may be inaccurate. Over exercising may result in serious injury or death.
- If you experience any kind of pain, including but not limited to chest pains, nausea, dizziness, or shortness of breath, stop exercising immediately and consult your physician before continuing.
- Do not jump on the equipment.
- At no time should more than one person be on the equipment.
- Set up and operate this equipment on a solid level surface.
- Never operate the equipment if it is not working properly or if it has been damaged.
- Use handlebars to maintain balance when mounting and dismounting, and for additional stability while exercising.
- To avoid injury, do not expose any body parts (for example, fingers, hands, arms or feet) to the drive mechanism or other potentially moving parts of the equipment.
- Connect this exercise product to a properly grounded outlet only.
- This equipment should never be left unattended when plugged in. When not in use, and prior to servicing, cleaning, or moving equipment, turn off power, then unplug from outlet.
- Do not use any equipment that is damaged or has worn or broken parts. Use only replacement parts supplied by Customer Tech Support or an authorized dealer.
- Never operate this equipment if it has been dropped, damaged, or is not working properly, has a damaged cord or plug, is located in a damp or wet environment, or has been immersed in water.
- Keep power cord away from heated surfaces. Do not pull on this power cord or apply any mechanical loads to this cord.
- Do not remove any protective covers unless instructed by Customer Tech Support. Service should only be done by an authorized service technician.
- To prevent electrical shock, never drop or insert any object into any opening.
- Do not operate where aerosol (spray) products are being used or when oxygen is being administered.
- This equipment should not be used by persons weighing more than the specified maximum weight capacity as listed in the equipment Owner's Manual. Failure to comply will void the warranty.
- Do not use this equipment in any location that is not temperature controlled, such as, but not limited to: garages, porches, pool rooms, bathrooms, car ports or outdoors. Failure to comply will void the warranty.
- Contact Customer Tech Support or an authorized dealer for examination, repair and/or service.
- Make sure handlebars are secure before each use.
- Never rotate the foot pedals by hand.
- Never dismount the equipment until the pedals come to a complete STOP.
- Ensure that adjustment levers (seat and handlebar fore-and-aft) are properly secured and do not interfere with range of motion during exercise.
- Do not attempt to ride the exercise bike in a standing position at high RPMs until you have practiced at slower speeds.

**NOTE:**

This equipment has been tested and found to comply with the limits for a Class B digital device, pursuant to part 15 of the FCC rules. These limits are designed to provide reasonable protection against harmful interference in a residential installation. This equipment generates, uses and can radiate radio frequency energy and, if not installed and used in accordance with the instructions, may cause harmful interference to radio communications. However, there is no guarantee that interference will not occur in a particular installation.

If this equipment does cause harmful interference to radio or television reception, which can be determined by turning the equipment off and on, the user is encouraged to try to correct the interference by one or more of the following measures:

- Reorient or relocate the receiving antenna of the other device, where possible.
- Increase the separation between this equipment and the receiver of the other device, where possible.
- Consult the dealer or manufacturer for help.

Any changes or modifications not expressly approved by the manufacturer may void the warranty for this equipment.

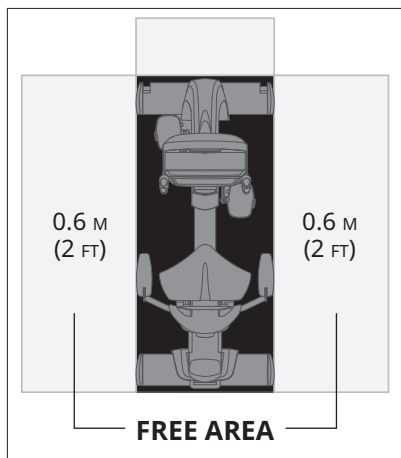
**FCC RF RADIATION EXPOSURE STATEMENT:**

This equipment complies with FCC RF radiation exposure limits set forth for an uncontrolled environment. This equipment should be installed and operated with a minimum distance of 20 centimeters (8 inches) between the radiator and your body.

# BASIC OPERATION



ENGLISH



## LOCATION OF THE EXERCISE BIKE

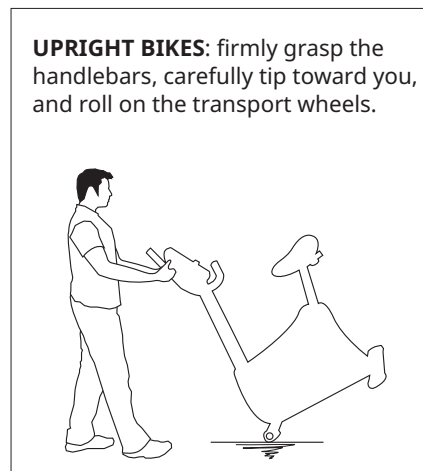
Place the exercise bike on a level surface. There should be one foot in front of the exercise bike for the power cord. For ease of access, there should be an accessible space preferentially on both sides of the exercise bike equal to 2 ft (0.6 meters) to allow a user access to the machine from either side. Do not place the exercise bike in any area that will block any vent or air openings. The exercise bike should not be located in a garage, covered patio, near water or outdoors.

## MOVING THE EXERCISE BIKE

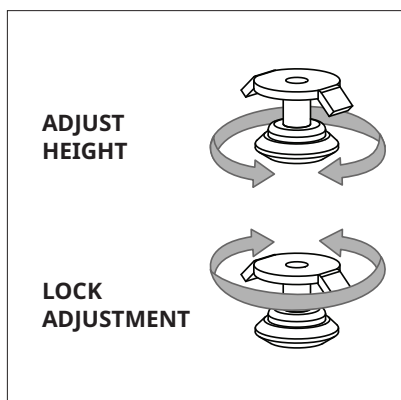
Your exercise bike has a pair of transport wheels built into the front stabilizer tube. Remove the power supply before attempting to move the bike.

### WARNING!

Our exercise bikes are heavy, use care and additional help if necessary when moving. Failure to follow these instructions could result in injury.



**UPRIGHT BIKES:** firmly grasp the handlebars, carefully tip toward you, and roll on the transport wheels.



## LEVELING THE EXERCISE BIKE

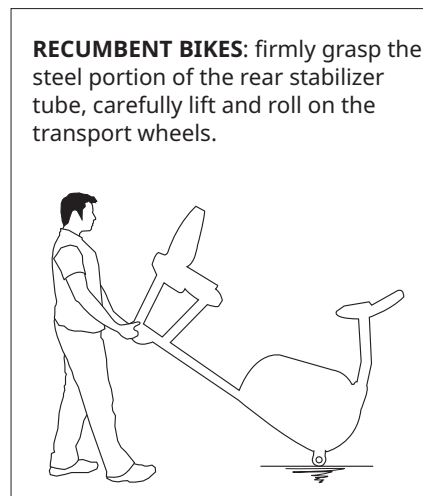
Your exercise bike should be level for optimum use. Once you have placed your exercise bike where you intend to use it, raise or lower one or both of the adjustable levelers located on the bottom of the frame. A carpenter's level is recommended. Once you have leveled your exercise bike, lock the levelers in place by tightening the nuts against the frame. Actual levelers may differ from image and may not include the lock.

## POWER

Your exercise bike is powered by a power supply. The power must be plugged into the power jack, which is located in the front of the machine near the stabilizer tube. Unplug cord when not in use.

### WARNING!

Never operate product if it has a damaged cord or plug, if it is not working properly, if it has been damaged, or immersed in water. Please reference contact information on the INFORMATION CARD for assistance.



**RECUMBENT BIKES:** firmly grasp the steel portion of the rear stabilizer tube, carefully lift and roll on the transport wheels.



## PROPER USAGE

To determine proper seat position, sit on the seat and position the ball of your foot on the center of the pedal. Your knee should bend slightly at the furthest pedal position. You should be able to pedal without locking your knees or shifting your weight from side to side. Adjust pedal straps to desired tightness.

### UPRIGHT SEAT ADJUSTMENT

For upright bikes with an adjustment lever: To raise the seat height, pull the seat upward. To lower the seat, locate the adjustment lever under the seat and pull the lever up to slide the seat down. Release lever and allow to lock into place. Please check to be sure seat post is locked in place before each use.

For upright bikes with a locking seat adjustment knob: To adjust, get off the bike seat and loosen the adjustment knob by turning it two half turns counter-clockwise. Pull out the knob to unlock the post, and adjust the post up or down to the desired setting. Release the knob to lock in place. Turn the knob clockwise until tightened. Please check to be sure seat post is locked in place before each use.

### RECUMBENT SEAT ADJUSTMENT

For recumbent bikes with an adjustment lever: To adjust the seat position, locate the lever under the seat before you mount the bike. Place your right hand on the adjustment handle under the seat. Place feet on the ground while seated and slide forward if needed. Place feet on pedals, gently lift lever under the seat. Using legs, slowly push and slide the seat up or down to a position that puts you in a comfortable pedaling range (one that keeps a slight bend in your knee while your legs are in the extended position). Release lever and allow to lock into place.

For recumbent bikes with a locking seat adjustment handle: Turn the handle up into its middle position making the handle feel loose. Then, slide the seat to a position that puts you in a comfortable pedaling range (one that keeps a slight bend in your knee while your legs are in the extended position). Lock the mechanism by rotating it down until handle tightens.

### RECUMBENT MESH SEAT BACK ADJUSTMENT

Some recumbent bikes are equipped with a tilting mesh seat back. Tilt adjustments are made with a rotating lever on the user's right side, located slightly behind the handlebar. Not all mesh seat backs have an adjustment lever so check the ASSEMBLY GUIDE.

To adjust the tilt angle of the seat back, rotate the lever down (counter-clock wise) and lean back on the mesh seat back until the desired position is achieved. When the position is set, rotate the lever upward (clock wise) until it is snug. The seat back comes equipped with a spring return system to return the seat back to its original position when the adjustment lever is released and the user is not leaning against the seat back.



# TROUBLESHOOTING

## COMMON PRODUCT QUESTIONS

### ARE THE SOUNDS MY EXERCISE BIKE MAKES NORMAL?

Our exercise bikes are some of the quietest available because they use belt drives and friction free magnetic resistance. We use the highest grade bearings and belts to minimize noise. However, because the resistance system itself is so quiet, you will occasionally hear other slight mechanical noises. Unlike older, louder technologies, there are no fans, friction belts, or alternator noises to mask these sounds on our exercise bikes. These mechanical noises, which may or may not be intermittent, are normal and are caused by the transfer of significant amounts of energy to a rapidly spinning flywheel. All bearings, belts and other rotating parts will generate some noise which will transmit through the casing and frame. It is also normal for these sounds to change slightly during a workout and over time because of thermal expansion of the parts.

### WHY IS THE EXERCISE BIKE I HAD DELIVERED LOUDER THAN THE ONE AT THE STORE?

All fitness products seem quieter in a large store showroom because there is generally more background noise than in your home. Also, there will be less reverberation on a carpeted concrete floor than on a wood overlay floor. Sometimes a heavy rubber mat will help reduce reverberation through the floor. If a fitness product is placed close to a wall, there will be more reflected noise.

### HOW LONG WILL THE DRIVE BELT LAST?

The computer modeling we have done indicated virtually thousands of maintenance free hours. You should not have to replace the belt as long as you have the exercise bike.

### CAN I MOVE THE EXERCISE BIKE EASILY ONCE IT IS ASSEMBLED?

Your exercise bike has a pair of transport wheels built into the front stabilizer tube. Please follow the MOVING THE EXERCISE BIKE section to transport your exercise bike. It is important that you place your exercise bike in a comfortable and inviting room. Your exercise bike is designed to use minimal floor space. Many people will place their exercise bikes facing the TV or a picture window. If at all possible, avoid putting your exercise bike in an unfinished basement. To make exercise a desirable daily activity for you, the exercise bike should be in a comfortable setting.

## BASIC TROUBLESHOOTING

**PROBLEM:** The console does not light up.

**SOLUTION:** Verify the following:

- The outlet the machine is plugged into is functional. Double check that the breaker has not tripped.
- The correct power cord is being used. Only use the power cord provided. Test the voltage on the power cord to verify it provides the specified output voltage from the label.
- The power cord is not pinched or damaged and is properly plugged into the outlet AND the machine.
- Unplug power cord, remove the console and check that all connections to the console are secure and not damaged or pinched. Unplug then reconnect the console cable.

**PROBLEM:** The console lights up but the Distance/Watts/RPMs do not count.

**SOLUTION:** Verify the following:

- Unplug power cord, remove the console and check that all connections to the console are secure and not damaged or pinched. Unplug then reconnect the console cable.
- If doing the above does not fix the problem, the speed sensor and/or magnet may have become dislodged or damaged.

**PROBLEM:** The resistance levels seem to be incorrect, seeming too hard or too easy.

**SOLUTION:** Verify the following:

- The correct power cord is being used. Only use the power cord provided.
- Reset the console and allow the resistance to reset to the default position. Restart and retry the resistance levels.

**PROBLEM:** The exercise makes a clicking noise or feeling from the pedals.

**SOLUTION:** Verify the following:

- Verify the bike is on a level surface.
- Remove the pedals, apply blue thread-locker to the threads and re-tighten the pedals using an open wrench.

**PROBLEM:** The exercise bike makes a squeaking or chirping noise.

**SOLUTION:** Verify the following:

- The exercise bike is on a level surface.
- Loosen all bolts attached during the assembly process, grease the threads, and tighten again.

### FOR CYCLES WITH SPEAKERS:

**PROBLEM:** When MP3 player is connected there is no sound coming from the speakers or the speakers sound fuzzy.

**SOLUTION:** Make sure audio cable is plugged in securely to both the console and MP3 Player jacks.





## TROUBLESHOOTING

### HEART RATE (GRIP-PULSE ONLY)

Check your exercise environment for sources of interference such as fluorescent lights, computers, underground fencing, home security systems or appliances containing large motors. These items may cause erratic heart rate readouts.

You may experience an erratic readout under the following conditions:

- Gripping the heart rate handlebars too tight. Try to maintain moderate pressure while holding onto the heart rate handlebars.
- Constant movement and vibration due to constantly holding the heart rate handlebars while exercising. If you are receiving erratic heart rate readouts, try to only hold the grips long enough to monitor your heart rate.
- When you are breathing heavily during a workout.
- When your hands are constricted by wearing a ring.
- When your hands are dry or cold. Try to moisten your palms by rubbing them together to warm.
- Anyone with heavy arrhythmia.
- Anyone with arteriosclerosis or peripheral circulation disorder.
- Anyone whose skin on the measuring palm is especially thick.

### NEED ASSISTANCE?

If this troubleshooting section does not remedy the problem, discontinue use and turn the power off.



**Please reference contact information from local service or on the INFORMATION CARD if available for assistance.**

The following information may be asked of you when you call. Please have these items readily available:

- Model Name
- Serial Number
- Proof of Purchase (receipt or credit card statement)

Some common troubleshooting questions that may be asked are:

- How long has this problem been occurring?
- Does this problem occur with every use? With every user?
- If you are hearing a noise, does it come from the front or the back? What kind of noise is it (thumping, grinding, squeaking, chirping etc.)?
- Has the machine been maintained per the MAINTENANCE schedule?

Answering these and other questions will give the technicians the ability to send proper replacement parts and the service necessary to get you and your cycle running again!

You may find more troubleshooting suggestions on the customer support section of our website.



## MAINTENANCE

### WHAT KIND OF ROUTINE MAINTENANCE IS REQUIRED?

Minimal maintenance and cleaning is required. Adhering to this schedule will extend the life of your machine.

We use sealed bearings throughout our bikes so lubrication is not needed. The most important maintenance step is to simply wipe your perspiration off the bike after each use.

### HOW DO I CLEAN MY BIKE?

Clean with soap and water cleaners only. Never use solvents on plastic parts. Cleanliness of your bike and its operating environment will keep maintenance problems and service calls to a minimum. For this reason, we recommend that the following preventive maintenance schedule be followed.

## WARNING

To remove power from the bike, the power cord must be disconnected from the wall outlet.

## MAINTENANCE SCHEDULE

ACTION	FREQUENCY
After each use: <ul style="list-style-type: none"><li>• Turn off the bike by unplugging the power cord from the wall outlet</li><li>• Wipe down the bike with a damp cloth. Never use solvents, as they can cause damage to the bike.</li><li>• Inspect the power cord. If the power cord is damaged, reference contact information on the back cover of the INFORMATION CARD for a replacement.</li><li>• Make sure the power cord is not underneath the bike or in any other area where it can become pinched or cut.</li></ul>	DAILY
Clean underneath the bike, following these steps: <ul style="list-style-type: none"><li>• Turn off the bike.</li><li>• Unplug the power adapter from the bike.</li><li>• Move the bike to a different location.</li><li>• Wipe or vacuum any dust particles or other objects that may have accumulated underneath the bike.</li><li>• Return the bike to its previous location.</li></ul>	WEEKLY
<ul style="list-style-type: none"><li>• Inspect and tighten all assembly bolts and pedals on the machine.</li><li>• Clean any debris off of the seat guide rail.</li></ul>	MONTHLY





## CONSERVEZ CES INSTRUCTIONS

Lisez le GUIDE DU PROPRIÉTAIRE avant utilisation. Lors de l'utilisation d'un produit électrique, des précautions de base doivent toujours être respectées, notamment les suivantes : Lisez toutes les instructions avant d'utiliser cet équipement. Il incombe au propriétaire de s'assurer que tous les utilisateurs de cet équipement sont correctement informés de tous les avertissements et de toutes les précautions. Si vous avez des questions après avoir lu ce guide, contactez le support technique.

Il est essentiel que cet équipement ne soit utilisé qu'à l'intérieur, dans une pièce climatisée. Si votre équipement a été exposé à des températures plus froides ou à des climats très humides, il est fortement recommandé de réchauffer cet équipement jusqu'à la température ambiante avant utilisation.

Cet équipement est destiné à un usage domestique uniquement. N'utilisez pas cet équipement dans un environnement commercial, locatif, scolaire ou institutionnel. En cas de non respect de ces instructions, la garantie sera annulée.

## AVERTISSEMENT

### POUR RÉDUIRE LE RISQUE DE BRÛLURE, D'INCENDIE, DE CHOC ÉLECTRIQUE OU DE BLESSURE :

- Utilisez cet équipement uniquement pour l'usage prévu, tel que décrit dans ce guide et dans le manuel du propriétaire.
- Les enfants de moins de 14 ans ne doivent à aucun moment utiliser l'équipement.
- À aucun moment, les animaux de compagnie et les enfants de moins de 14 ans ne doivent s'approcher de cet équipement à moins de 3 mètres.
- Cet équipement n'est pas destiné à être utilisé par des personnes ayant des capacités physiques, sensorielles ou mentales réduites, ou un manque d'expérience et de connaissances, à moins d'être supervisées ou avoir été formées à l'utilisation de l'équipement par une personne responsable de leur sécurité.
- Portez toujours des chaussures de sport lorsque vous utilisez cet équipement. N'utilisez JAMAIS l'équipement d'exercice pieds nus.
- Ne portez pas de vêtements susceptibles de se coincer dans des pièces mobiles de cet équipement.
- Les systèmes de surveillance de la fréquence cardiaque peuvent être inexacts. S'exercer de manière excessive peut entraîner des blessures graves ou la mort.
- Si vous ressentez une douleur quelconque, notamment des douleurs à la poitrine, des nausées, des étourdissements ou un essoufflement, arrêtez immédiatement de faire l'exercice et consultez votre médecin avant de continuer.
- Ne sautez pas sur l'équipement.
- À aucun moment, plus d'une personne ne doit se trouver sur l'équipement.
- Installez et faites fonctionner l'équipement sur une surface plane et solide.
- N'utilisez jamais l'équipement s'il ne fonctionne pas correctement ou s'il a été endommagé.
- Utilisez les barres de maintien pour garder l'équilibre lors de la montée et de la descente, et pour une stabilité supplémentaire pendant l'exercice.
- Pour éviter toute blessure, n'exposez aucune partie du corps (par exemple les doigts, mains, bras ou pieds) au mécanisme d'entraînement ou à d'autres pièces de l'équipement potentiellement mobiles.
- Connectez ce produit d'exercice uniquement à une prise correctement mise à la terre.
- Cet équipement ne doit jamais être laissé sans surveillance lorsqu'il est branché. En cas de non-utilisation, et avant de procéder à la maintenance, au nettoyage ou au déplacement de l'équipement, coupez l'alimentation et débranchez la prise.
- N'utilisez pas de matériel endommagé ou présentant des pièces usées ou cassées. Utilisez uniquement des pièces de rechange fournies par le support technique client ou un revendeur agréé.
- N'utilisez jamais cet équipement s'il est tombé, s'il est endommagé ou s'il ne fonctionne pas correctement, si son cordon ou sa fiche est endommagé, s'il est situé dans un environnement humide ou mouillé ou s'il a été immergé dans l'eau.
- Tenez le cordon d'alimentation à l'écart des surfaces chauffées. Ne tirez pas sur ce cordon d'alimentation et n'appliquez pas de charges mécaniques sur ce cordon.
- Ne retirez pas les caches de protection, sauf sur demande de l'assistance technique client. L'entretien ne doit être effectué que par un technicien de service autorisé.
- Pour éviter les chocs électriques, ne laissez jamais tomber ou n'insérez aucun objet dans une ouverture.
- Ne l'utilisez pas lorsque des aérosols (sprays) sont utilisés ou lorsque de l'oxygène est administré.
- Cet équipement ne doit pas être utilisé par des personnes pesant plus que la capacité de poids maximum spécifiée dans le manuel du propriétaire de l'équipement. En cas de non respect de ces instructions, la garantie sera annulée.
- N'utilisez pas cet équipement dans un endroit où la température n'est pas contrôlée, comme les garages, les vérandas, les salles de billard, les salles de bain, les abris de voiture ou à l'extérieur. En cas de non respect de ces instructions, la garantie sera annulée.
- Contactez le support technique client ou un revendeur agréé pour examen, réparation et/ou entretien.
- Assurez-vous que le guidon est bien fixé avant chaque utilisation.
- Ne faites jamais tourner les pédales à la main.
- Ne démontez jamais l'équipement tant que les pédales ne sont pas complètement ARRÊTÉES.
- Assurez-vous que les leviers de réglage (siège et guidon avant et arrière) sont correctement fixés et ne gênent pas l'amplitude de mouvement pendant l'exercice.
- N'essayez pas d'utiliser le vélo d'exercice en position debout à des régimes élevés tant que vous n'avez pas essayé à des vitesses plus lentes.

**REMARQUE :**

Cet équipement a été testé et déclaré conforme aux limites applicables aux appareils numériques de classe B, conformément à la partie 15 des règles de la FCC. Ces limites sont conçues pour fournir une protection raisonnable contre les interférences nuisibles dans une installation résidentielle. Cet équipement génère, utilise et peut émettre une énergie de fréquence radio et, s'il n'est pas installé et utilisé conformément aux instructions, peut provoquer des interférences nuisibles aux communications radio. Cependant, rien ne garantit que des interférences ne se produiront pas dans une installation spécifique.

Si cet équipement cause des interférences nuisibles à la réception radio ou télévision, ce qui peut être déterminé en éteignant puis en rallumant l'équipement, l'utilisateur est invité à essayer de corriger l'interférence par une ou plusieurs des mesures suivantes :

- Réorientez ou déplacez l'antenne de réception de l'autre appareil, si possible.
- Augmentez la distance entre cet équipement et le récepteur de l'autre appareil, si possible.
- Consultez le revendeur ou le fabricant pour obtenir de l'aide.

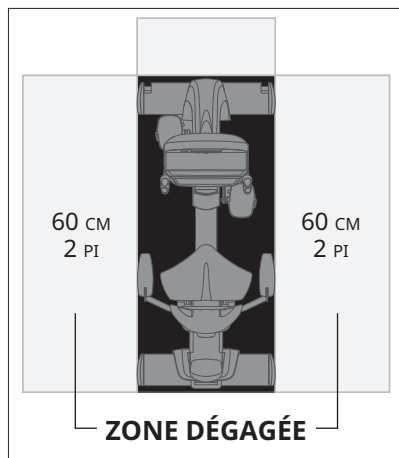
Tout changement ou modification non expressément approuvé par le fabricant peut annuler la garantie de cet équipement.

**DÉCLARATION D'EXPOSITION AUX RADIATIONS RF DE LA FCC :**

Cet équipement est conforme aux limites d'exposition aux rayonnements RF établies par la FCC pour un environnement non contrôlé. Cet équipement doit être installé et utilisé avec une distance minimale de 20 centimètres (8 pouces) entre le radiateur et votre corps.



## FONCTIONNEMENT DE BASE



### EMPLACEMENT DE VOTRE VÉLO D'EXERCICE

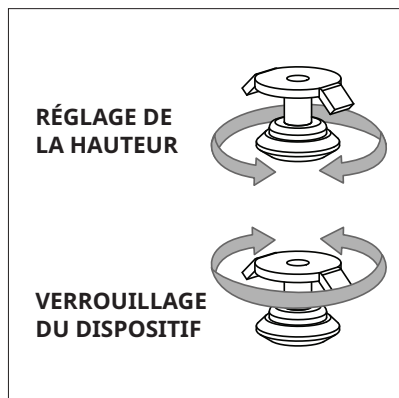
Installez votre vélo d'exercice sur une surface plane. Prévoyez un dégagement de 30 cm devant le vélo d'exercice pour le câble d'alimentation. Afin de faciliter l'accès à l'appareil, un espace libre large de 60 cm doit être prévu de préférence des deux côtés du vélo d'exercice pour permettre à l'utilisateur d'accéder à l'appareil aussi bien d'un côté que de l'autre. Ne placez pas le vélo d'exercice de façon à bloquer la circulation d'air ou les grilles d'aération. Le vélo d'exercice ne doit pas être placé dans un garage, une véranda, près d'une source d'eau ni à l'extérieur.

### DÉPLACEMENT DU VÉLO D'EXERCICE

Votre vélo d'exercice est équipé d'une paire de roulettes de transport intégrées dans la barre stabilisatrice avant. Débranchez le câble d'alimentation électrique avant de déplacer le vélo.

### AVERTISSEMENT !

Les vélos d'exercice sont très lourds, soyez prudent et appelez quelqu'un pour vous aider à transporter votre appareil si nécessaire. Le non-respect de ces instructions peut provoquer des blessures.



### MISE DE NIVEAU DU VÉLO D'EXERCICE

Pour une utilisation optimale, votre vélo d'exercice doit être mis de niveau. Une fois que le vélo d'exercice est installé à l'emplacement souhaité, remontez ou descendez l'un des pieds réglables, ou les deux, qui sont situés au bas du châssis. L'utilisation d'un niveau à bulle est recommandée. Une fois votre vélo d'exercice de niveau, verrouillez la position des pieds réglables en serrant les écrous contre le châssis. Les pieds réglables pourraient être différents de ceux illustrés et ne pas comporter de système de verrouillage.

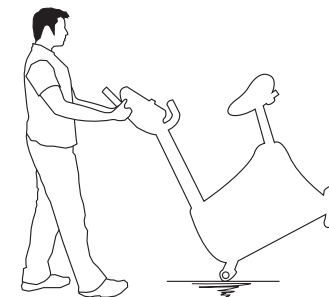
### ALIMENTATION

Votre vélo d'exercice fonctionne avec une alimentation électrique. Le câble d'alimentation doit être branché au connecteur d'alimentation situé à l'avant de l'appareil, près de la barre stabilisatrice. Débranchez le câble lorsque l'appareil n'est pas utilisé.

### AVERTISSEMENT !

N'utilisez jamais l'appareil si le câble d'alimentation ou la prise est endommagé(e), s'il ne fonctionne pas correctement, s'il a été endommagé ou s'il a été immergé. En cas de besoin, les coordonnées de l'assistance technique se trouvent sur la CARTE D'INFORMATION.

**VÉLOS À CYCLES PROGRESSIFS :** saisissez fermement le guidon, inclinez doucement l'appareil vers vous et faites-le rouler sur ses roulettes de transport.



**VÉLOS COUCHÉS :** saisissez fermement la partie en acier de la barre stabilisatrice arrière, inclinez doucement le vélo et faites-le rouler sur ses roulettes de transport.



## RÈGLES D'UTILISATION

Afin de déterminer la position adéquate de la selle, installez-vous dessus et placez la plante de votre pied au centre de la pédale. Votre genou doit être légèrement plié lorsque la pédale est dans la position la plus éloignée. Vous devriez pouvoir pédaler sans bloquer les genoux ni balancer votre poids d'un côté et de l'autre. Réglez les sangles des pédales à la tension souhaitée.

### RÉGLAGE DE LA SELLE SUR LES VÉLOS À CYCLES PROGRESSIFS

Pour les vélos à cycles progressif équipés d'un levier de réglage : pour remonter la selle, tirez-la vers le haut. Pour abaisser la selle, remontez le levier de réglage situé sous la selle pour faire redescendre la selle. Lâchez le levier et laissez la selle se bloquer toute seule. Avant chaque utilisation, veillez à ce que la tige de la selle soit bien verrouillée dans sa position.

Pour les vélos à cycles progressifs équipés d'une molette de réglage et de blocage de la selle : pour régler la hauteur de la selle, descendez du vélo et desserrez la molette de réglage en la tournant deux fois d'un demi-tour dans le sens inverse des aiguilles d'une montre. Tirez sur la molette pour déverrouiller la tige et l'ajuster vers le haut ou vers le bas, de façon à obtenir la position souhaitée. Relâchez la molette pour verrouiller la tige dans cette position. Tournez la molette dans le sens horaire jusqu'à ce qu'elle soit bien serrée. Avant chaque utilisation, veillez à ce que la tige de la selle soit bien verrouillée dans sa position.

### RÉGLAGE DE LA SELLE SUR LES VÉLOS COUCHÉS

Pour les vélos couchés équipés d'un levier de réglage : pour régler la position de la selle, localisez le levier sous la selle avant de monter sur le vélo. Placez votre main droite sur le levier de réglage sous la selle. Asseyez-vous sur la selle et placez vos pieds sur le sol en glissant vers l'avant si nécessaire. Placez les pieds sur les pédales, relevez doucement le levier sous la selle. À l'aide de vos pieds, poussez ou faites glisser doucement la selle vers le haut ou le bas jusqu'à trouver la position qui vous semble la plus confortable pour pédaler (qui vous permet de garder le genou légèrement plié lorsque votre jambe est étendue). Lâchez le levier et laissez la selle se bloquer toute seule.

Pour les vélos couchés équipés d'une poignée de réglage de la selle : tournez la poignée vers le haut en position intermédiaire ; vous devez ressentir que la poignée est desserrée. Faites ensuite glisser la selle jusqu'à trouver la position qui vous semble la plus confortable pour pédaler (qui vous permet de garder le genou légèrement plié lorsque votre jambe est étendue). Verrouillez le mécanisme en le tournant vers le bas jusqu'à ce que la poignée soit serrée.

### RÉGLAGE DU DOSSIER EN TISSU DES SELLES DE VÉLOS COUCHÉS

Certains vélos couchés sont équipés d'un dossier de selle inclinable en tissu. Le réglage de l'inclinaison s'effectue à l'aide d'un levier rotatif situé sur le côté droit de l'utilisateur, légèrement derrière le guidon. Tous les dossiers de selle en tissu ne sont pas équipés d'un levier de réglage. Veuillez consulter le GUIDE DE MONTAGE.

Pour régler l'inclinaison du dossier de la selle, tournez le levier vers le bas (dans le sens antihoraire) et penchez-vous en arrière contre le dossier en tissu de la selle jusqu'à atteindre la position souhaitée. Une fois la position trouvée, tournez le levier vers le haut (dans le sens horaire) jusqu'à ce qu'il soit bien serré. Le dossier de la selle est équipé d'un système de retour par ressorts lui permettant de revenir dans sa position initiale lorsque le levier de réglage est relâché et que l'utilisateur n'est pas assis contre le dossier de la selle.





# DÉPANNAGE

## QUESTIONS FRÉQUENTES RELATIVES AU PRODUIT

### LES SONS QUE FAIT MON VÉLO D'EXERCICE SONT-ILS NORMAUX ?

Nos vélos d'exercice figurent parmi les plus silencieux du marché car ils fonctionnent avec un entraînement par courroie et une résistance magnétique sans frottement. Nous utilisons des roulements et des courroies de la plus haute qualité pour limiter le bruit. Cependant, puisque le système de résistance est si silencieux, vous pourrez entendre d'autres petits bruits mécaniques de temps en temps. Contrairement aux technologies plus anciennes et plus bruyantes, aucun bruit de ventilateurs, de frottement de courroies ou d'alternateurs ne vient masquer ces sons sur nos vélos d'exercice. Ces bruits mécaniques, qui peuvent être intermittents ou non, sont normaux et sont provoqués par le transfert de grandes quantités d'énergie vers une roue d'inertie qui tourne rapidement. Tous les roulements, courroies et autres pièces en mouvement émettent des bruits qui seront retransmis via le boîtier et le châssis. Il est également normal que ces sons changent légèrement au cours d'un entraînement et au fil du temps en raison de la dilatation thermique des pièces.

### POURQUOI LE VÉLO D'EXERCICE QUE J'AI ACHETÉ EST-IL PLUS BRUYANT QUE CELUI PRÉSENTÉ EN MAGASIN ?

Tous les produits de remise en forme exposés dans un grand magasin semblent toujours être plus silencieux car le bruit de fond y est plus élevé que chez vous. La réverbération acoustique est également moindre sur un sol en béton recouvert de moquette que sur un parquet. L'installation d'un tapis épais en caoutchouc sous l'appareil peut aider à réduire la réverbération sur le sol. Si un appareil de remise en forme est placé près d'un mur, cela risque d'amplifier les bruits par un effet tambour.

### QUELLE EST LA DURÉE DE VIE DE LA COURROIE D'ENTRAÎNEMENT ?

La modélisation informatique que nous avons réalisée a indiqué des milliers d'heures d'utilisation virtuelle sans maintenance. Vous ne devriez jamais avoir à changer la courroie de votre vélo d'exercice.

### EST-IL POSSIBLE DE DÉPLACER FACILEMENT LE VÉLO D'EXERCICE UNE FOIS QU'IL EST MONTÉ ?

Votre vélo d'exercice est équipé d'une paire de roulettes de transport intégrées dans la barre stabilisatrice avant. Veuillez consulter la section DÉPLACEMENT DU VÉLO D'EXERCICE avant de déplacer votre appareil. Il est important de placer votre vélo d'exercice dans une salle confortable et accueillante. Votre vélo d'exercice est conçu pour prendre le moins de place possible au sol. Beaucoup de gens positionnent leur vélo d'exercice devant la télévision ou face à une baie vitrée. Dans la mesure du possible, évitez de placer votre vélo d'exercice dans un sous-sol non aménagé. Pour que l'entraînement devienne une activité quotidienne agréable, votre vélo d'exercice doit être placé dans un environnement confortable.

## PROCÉDURES DE DÉPANNAGE DE BASE

**PROBLÈME** : la console ne s'allume pas.

**SOLUTION** : effectuez les vérifications suivantes :

- Vérifiez que la prise de courant sur laquelle est branché l'appareil fonctionne correctement. Vérifiez que le disjoncteur ne s'est pas déclenché.
- Vérifiez que le câble d'alimentation adéquat est utilisé. N'utilisez que le câble d'alimentation fourni. Testez la tension du câble d'alimentation pour vérifier qu'il fournit la tension de sortie indiquée sur l'étiquette.
- Vérifiez que le câble d'alimentation n'est pas pincé ou endommagé et qu'il est branché correctement à la prise de courant ET à l'appareil.
- Débranchez le câble d'alimentation, retirez la console et vérifiez que toutes les connexions vers la console sont raccordées correctement et qu'aucun fil n'est pincé ou endommagé. Débranchez puis rebranchez le câble de la console.

**PROBLÈME** : la console s'allume mais les dispositifs de mesure de la distance, de la puissance (watts) et de la vitesse (TR/MIN) ne fonctionnent pas.

**SOLUTION** : effectuez les vérifications suivantes :

- Débranchez le câble d'alimentation, retirez la console et vérifiez que toutes les connexions vers la console sont raccordées correctement et qu'aucun fil n'est pincé ou endommagé. Débranchez puis rebranchez le câble de la console.
- Si le problème persiste, il est possible que le capteur de vitesse et/ou l'aimant soient sortis de leurs logements ou soient endommagés.

**PROBLÈME** : les niveaux de résistance semblent incorrects (trop faciles ou trop difficiles).

**SOLUTION** : effectuez les vérifications suivantes :

- Vérifiez que le câble d'alimentation adéquat est utilisé. N'utilisez que le câble d'alimentation fourni.
- Réinitialisez la console pour restaurer les paramètres de résistance par défaut. Redémarrez et testez à nouveau les niveaux de résistance.

**PROBLÈME** : les pédales du vélo émettent ou semblent émettre des cliquetis.

**SOLUTION** : effectuez les vérifications suivantes :

- Assurez-vous que votre vélo d'exercice est installé sur une surface plane.
- Retirez les pédales, appliquez un adhésif frein-filet bleu sur le filetage et serrez à nouveau les pédales à l'aide d'une clé plate.

**PROBLÈME** : le vélo d'exercice émet des grincements ou des grésillements.

**SOLUTION** : effectuez les vérifications suivantes :

- Assurez-vous que votre vélo d'exercice est installé sur une surface plane.
- Desserrez tous les boulons fixés au cours du montage, graissez les filetages et serrez à nouveau les boulons.

### POUR LES VÉLOS ÉQUIPÉS DE HAUT-PARLEURS :

**PROBLÈME** : lorsque le lecteur MP3 est connecté, aucun son ne sort des haut-parleurs ou le son est très mauvais.

**SOLUTION** : assurez-vous que le câble audio est branché correctement à la fois sur le connecteur de la console et sur le connecteur du lecteur MP3.

## DÉPANNAGE

### DU MONITEUR DE FRÉQUENCE CARDIAQUE (POIGNÉES À CAPTEURS TACTILES CARDIAQUES UNIQUEMENT)

Contrôlez l'endroit où vous vous entraînez et recherchez des sources possibles d'interférence, telles que des lumières fluorescentes, des ordinateurs, des clôtures électriques, des systèmes d'alarme ou des installations équipées de gros moteurs. Ces appareils peuvent causer des lectures erronées de la fréquence cardiaque.

Des mesures incohérentes de la fréquence cardiaque peuvent également se produire dans les cas suivants :

- Une pression excessive sur les poignées équipées de capteurs tactiles. Essayez d'exercer une pression modérée sur ces poignées.
- Des vibrations et un mouvement constants lorsque vous tenez les poignées pendant les exercices. Si l'écran affiche des mesures incohérentes, saisissez les poignées le temps nécessaire afin que votre rythme cardiaque soit enregistré.
- Lorsque vous êtes essoufflé durant un entraînement.
- Lorsque vos doigts sont comprimés par des bagues.
- Lorsque vos mains sont sèches ou froides. Frottez-vous les mains afin de les hydrater et de les réchauffer.
- Lorsque vous souffrez d'arythmie grave.
- Lorsque vous êtes atteint d'artériosclérose ou de troubles de la circulation périphérique.
- Lorsque la peau des paumes de vos mains est particulièrement épaisse.

### BESOIN D'UNE ASSISTANCE TECHNIQUE ?

Si le problème subsiste, arrêtez d'utiliser le tapis et mettez-le hors tension.



**En cas de besoin, les coordonnées de l'assistance technique se trouvent sur la CARTE D'INFORMATION.**

Lors de votre appel, vous devrez probablement fournir les renseignements ci-après. Veuillez préparer les informations suivantes :

- Nom du modèle
- Numéro de série
- Preuve d'achat (facture ou relevé de carte bancaire)

Les questions fréquemment posées sont les suivantes :

- Depuis combien de temps rencontrez-vous ce problème ?
- Le problème se répète-t-il à chaque utilisation ? Avec tous les utilisateurs ?
- Si vous entendez un bruit gênant, provient-il de l'avant ou de l'arrière de l'appareil ? De quel type de bruit s'agit-il (bruit sourd, grincement, son aigu, sifflement, etc.) ?
- L'appareil a-t-il été entretenu conformément au programme D'ENTRETIEN ?

Les réponses à ces questions et à d'autres questions permettront aux techniciens d'envoyer les pièces de rechange adéquates, d'effectuer l'intervention nécessaire au bon fonctionnement de votre vélo et de vous faire reprendre votre entraînement !

Pour davantage de conseils sur le dépannage, consultez la rubrique Assistance client de notre site Internet.







## ENTRETIEN

### QUEL TYPE D'ENTRETIEN DE ROUTINE DOIT ÊTRE EFFECTUÉ ?

L'entretien et le nettoyage requis sont minimes. Le fait de respecter ce programme d'entretien vous permettra de prolonger la durée de vie de votre appareil.

Nous utilisons des roulements étanches dans tous nos vélos ; la lubrification n'est donc pas nécessaire. La partie la plus importante de l'entretien consiste simplement à essuyer votre transpiration sur le vélo après chaque utilisation.

### COMMENT NETTOYER UN VÉLO ?

Nettoyez l'appareil avec du savon et de l'eau uniquement. N'utilisez jamais de solvants sur les parties en plastique. La propreté de votre vélo et de son environnement permettra de limiter au maximum les problèmes et les interventions de maintenance. Pour cette raison, nous vous recommandons de respecter le programme d'entretien préventif suivant :

### AVERTISSEMENT

Pour que le vélo ne soit plus alimenté en électricité, le câble d'alimentation doit être débranché de la prise murale.

## PROGRAMME D'ENTRETIEN

ACTION	FRÉQUENCE
<p>Après chaque utilisation :</p> <ul style="list-style-type: none"> <li>• Mettez le vélo d'exercice hors tension en débranchant le câble d'alimentation de la prise murale.</li> <li>• Nettoyez le vélo avec un chiffon humide. N'utilisez jamais de solvants car ceux-ci pourraient détériorer le vélo.</li> <li>• Contrôlez le câble d'alimentation. Si le câble d'alimentation est endommagé, contactez l'assistance technique pour le remplacer, en vous référant aux coordonnées présentes au dos de la CARTE D'INFORMATION.</li> <li>• Assurez-vous que le câble d'alimentation ne se trouve pas sous le vélo ou à un endroit où il risque d'être pincé ou coupé.</li> </ul>	QUOTIDIEN
<p>Nettoyez la surface située sous le vélo en suivant les procédures suivantes :</p> <ul style="list-style-type: none"> <li>• Mettez le vélo hors tension.</li> <li>• Débranchez le connecteur d'alimentation du vélo.</li> <li>• Déplacez le vélo vers un autre endroit.</li> <li>• Nettoyez ou aspirez les particules de poussière et autres corps étrangers qui ont pu s'accumuler sous le vélo.</li> <li>• Remplacez le vélo à son emplacement initial.</li> </ul>	HEBDOMADAIRE
<ul style="list-style-type: none"> <li>• Vérifiez et resserrez tous les boulons d'assemblage et les pédales de l'appareil.</li> <li>• Nettoyez soigneusement le rail de guidage de la selle.</li> </ul>	MENSUEL



## GUARDE ESTAS INSTRUCCIONES

Lea el MANUAL DE INSTRUCCIONES antes de utilizar la unidad. A la hora de utilizar un producto eléctrico, siempre se deben adoptar precauciones básicas, entre ellas las siguientes: Lea todas las instrucciones antes de utilizar este equipo. El propietario es responsable de garantizar que todos los usuarios de este equipo estén informados de manera adecuada sobre todas las advertencias y precauciones. Si tiene alguna pregunta después de leer este manual, póngase en contacto con el servicio de asistencia técnica.

Es fundamental que este equipo solo se utilice en espacios interiores, en salas con control de la temperatura. Si el equipo de entrenamiento se ha visto expuesto a temperaturas más bajas o climas muy húmedos, se recomienda encarecidamente que se ajuste el equipo a la temperatura de la habitación antes de utilizarlo.

Este equipo ha sido concebido para un uso exclusivamente doméstico. No utilice este equipo en ningún establecimiento comercial, escolar, institucional ni de alquiler. El incumplimiento de estas indicaciones dará lugar a la anulación de la garantía.

## ADVERTENCIA

### PARA REDUCIR EL RIESGO DE QUEMADURAS, INCENDIOS, DESCARGAS ELÉCTRICAS O LESIONES PERSONALES :

- Use el equipo únicamente para su uso previsto de acuerdo con lo que se describe en este manual y en el manual de usuario.
- Los niños menores de 14 años no deben utilizar el equipo BAJO NINGUNA CIRCUNSTANCIA.
- Las mascotas y los niños menores de 14 años no deben estar BAJO NINGUNA CIRCUNSTANCIA a menos de 10 ft/3 m del equipo.
- Este equipo no está diseñado para que lo utilicen personas con capacidades físicas, sensoriales o mentales reducidas, ni personas con falta de experiencia y conocimientos, a menos que reciban vigilancia o instrucciones relativas al uso del equipo por parte de una persona responsable de su seguridad.
- Póngase siempre zapatillas de deporte para utilizar el equipo. NUNCA utilice el equipo de entrenamiento descalzo.
- No lleve ninguna prenda de ropa que pueda engancharse en los elementos móviles del equipo.
- Los sistemas de control de la frecuencia cardíaca pueden ser imprecisos. El ejercicio excesivo puede producir lesiones graves o la muerte.
- Si nota algún tipo de dolor, como, por ejemplo, dolores en el pecho, náuseas, mareos o dificultades para respirar, pare de hacer ejercicio de inmediato y consulte a su médico antes de continuar.
- No salte sobre el equipo.
- En ningún momento debe haber más de una persona en el equipo.
- Instale y utilice el equipo en una superficie nivelada sólida.
- No utilice nunca el equipo si este no funciona correctamente o si ha sufrido algún daño.
- Utilice las agarraderas para mantener el equilibrio al subirse al equipo o bajarse de él y también para obtener una mayor estabilidad durante el entrenamiento.
- Para evitar lesiones, no acerque ninguna parte del cuerpo (como por ejemplo, dedos, manos, brazos o pies) al mecanismo de accionamiento del equipo o a cualquier otro elemento móvil.
- Conecte la máquina únicamente a una toma de corriente con conexión a tierra.
- Nunca deje el equipo sin vigilancia mientras está enchufado. Siempre que no esté en funcionamiento y antes de realizar las tareas de mantenimiento, limpieza o traslado, apague el equipo y desenchúfelo.
- No utilice un equipo que esté dañado o tenga piezas desgastadas o rotas. Utilice solo piezas de repuesto suministradas por el servicio de asistencia técnica o un distribuidor autorizado.
- No utilice nunca el equipo si este se ha caído, ha sufrido algún daño, no funciona correctamente o si algún cable o enchufe están dañados. De igual forma, no lo utilice en lugares húmedos o mojados ni si se ha sumergido en agua.
- Mantenga el cable de alimentación alejado de las superficies calientes. No tire del cable de alimentación ni aplique cargas mecánicas sobre él.
- No retire las cubiertas protectoras a menos que se lo indique el servicio de asistencia técnica. El mantenimiento deberá llevarlo a cabo únicamente un técnico de mantenimiento autorizado.
- Para evitar las descargas eléctricas, no introduzca ni deje caer ningún objeto en las aberturas.
- No utilice el equipo en lugares en los que se emplean aerosoles (pulverizadores) o si se está administrando oxígeno.
- Las personas con un peso superior a la capacidad de carga especificada en el manual de usuario no deben usar el equipo. El incumplimiento de estas indicaciones dará lugar a la anulación de la garantía.
- No utilice el equipo en estancias sin control de la temperatura, como, por ejemplo, garajes, porches, salas de billar, cuartos de baño, aparcamientos cubiertos o espacios exteriores. El incumplimiento de estas indicaciones dará lugar a la anulación de la garantía.
- Póngase en contacto con el servicio de asistencia técnica o con un distribuidor autorizado para que examinen o reparen el equipo, así como para realizar las tareas de mantenimiento.
- Compruebe que las agarraderas estén bien aseguradas antes de cada uso.
- No gire nunca los pedales con las manos.
- No baje nunca del equipo hasta que los pedales estén completamente PARADOS.
- Compruebe que las palancas de ajuste (para el ajuste adelante y atrás del manillar y el asiento) están bien fijadas y que no interfieren en el movimiento durante el ejercicio.
- No intente ponerse de pie en la bicicleta de entrenamiento a altas revoluciones por minuto hasta que no haya practicado antes a velocidades más bajas.

**NOTA:**

Tras la realización de pruebas en este equipo, se ha determinado que respeta los límites de los dispositivos digitales de clase B, de conformidad con el apartado 15 de las normas de la Comisión Federal de Comunicaciones de los Estados Unidos (FCC, por sus siglas en inglés). Estos límites se han concebido para ofrecer una protección razonable contra las interferencias perjudiciales en instalaciones residenciales. Este equipo genera, utiliza y puede radiar energía de radiofrecuencia y, si no se instala y utiliza de conformidad con las instrucciones, puede ocasionar interferencias perjudiciales en las radiocomunicaciones. Sin embargo, no se puede garantizar que no se vayan a producir interferencias en una instalación concreta.

Si este equipo causa interferencias perjudiciales en la recepción de radio o televisión, lo cual puede determinarse apagando y encendiendo el equipo, se recomienda al usuario que trate de corregir las interferencias a través de una o varias de las siguientes medidas:

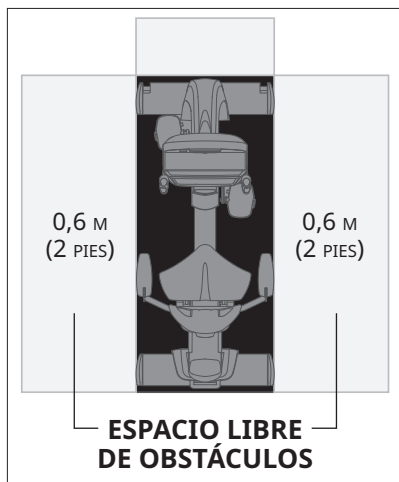
- Si es posible, reoriente la antena receptora o colóquela en un sitio diferente.
- Si es posible, aumente la separación entre el equipo y el receptor del otro dispositivo.
- Pida ayuda al distribuidor o fabricante.

Cualquier cambio o modificación que el fabricante no haya aprobado de forma expresa puede anular la garantía de este equipo.

**DECLARACIÓN DE EXPOSICIÓN A LA RADIACIÓN DE RADIOFRECUENCIA DE LA FCC:**

Este equipo respeta los límites de exposición a la radiación de radiofrecuencia de la FCC establecidos para un entorno no controlado. Este equipo debe instalarse y utilizarse de tal manera que entre el emisor de radiación y su cuerpo haya una distancia mínima de 20 centímetros (8 pulgadas).

# FUNCIONAMIENTO BÁSICO



## UBICACIÓN DE LA BICICLETA ESTÁTICA

Coloque la bicicleta sobre una superficie llana. Debe haber 0,3 m (un pie) de distancia entre el enchufe para el cable de alimentación y la parte frontal de la bicicleta estática. Para facilitar el acceso, debe garantizarse un espacio, preferentemente en ambas partes de la bicicleta estática, de 0,6 m (2 pies), de manera que el usuario pueda acceder a la cinta desde un lado u otro. No coloque esta bicicleta estática en un lugar donde bloquee una rejilla de ventilación o salida de aire. No se debe instalar en un garaje, en un patio cubierto, cerca del agua o al aire libre.

## DESPLAZAMIENTO DE LA BICICLETA ESTÁTICA

La bicicleta estática dispone de un par de ruedas de transporte ubicadas en el estabilizador frontal. Desenchufe la bicicleta de la fuente de alimentación antes de intentar desplazarla.

## ADVERTENCIA

Nuestras bicicletas de ejercicio son pesadas, desplácelas con cuidado y solicite ayuda si es necesario. Si no sigue estas instrucciones pueden producirse lesiones.

## NIVELACIÓN DE LA BICICLETA ESTÁTICA

La bicicleta estática debe estar nivelada para sacarle el máximo partido. Una vez situada la bicicleta estática donde desea utilizarla, levante o baje uno o ambos niveladores ajustables de la parte inferior de la estructura. Se recomienda emplear un nivel de carpintero. Una vez que ha nivelado la bicicleta estática, bloquee los niveladores apretando las tuercas contra la estructura. Los niveladores reales pueden variar respecto a los de la imagen y es posible que no incluyan el mecanismo de bloqueo.

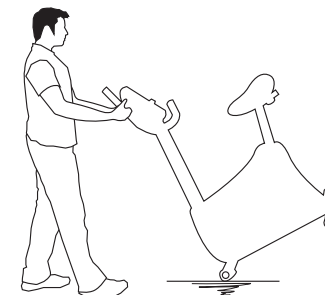
## ALIMENTACIÓN ELÉCTRICA

La bicicleta estática funciona con una fuente de alimentación. Esta tiene que enchufarse a la toma situada en la parte frontal de la máquina, al lado del estabilizador. Desenchufe el cable cuando no use la bicicleta.

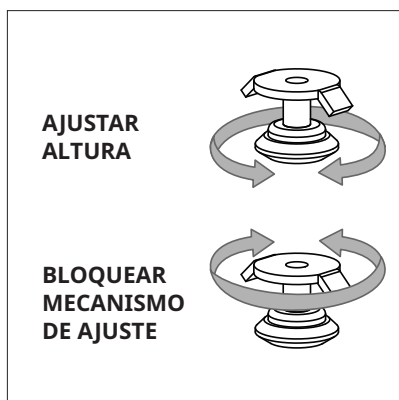
## ADVERTENCIA

No utilice el producto si ha sufrido daños (tanto en la máquina como en el cable o el enchufe), si no funciona correctamente o si se ha sumergido en agua. Para solicitar ayuda, consulte la información de contacto de la TARJETA DE INFORMACIÓN.

**BICICLETAS VERTICALES:** sujete firmemente los manillares, incline la bicicleta hacia usted y haga rodar las ruedas de transporte.



**BICICLETAS RECLINADAS:** sujete firmemente la parte de acero del estabilizador trasero, levántela con cuidado y haga rodar las ruedas de transporte.





## USO CORRECTO

Para determinar cuál es la posición correcta del asiento, siéntese encima y coloque la zona de los metatarsos de los pies (junto a los dedos) sobre el centro de los pedales. Al llevar el pedal hasta la posición más lejana, las rodillas se deberían flexionar ligeramente. Debería ser capaz de pedalear sin tener que bloquear las rodillas (flexionándolas hasta el tope) ni de balancear el peso del cuerpo de un lado al otro. Tense las correas de los pedales lo que desee.

### AJUSTE DEL ASIENTO DE LAS BICICLETAS VERTICALES

Para bicicletas verticales con palancas de ajuste, haga lo siguiente: Para subir el asiento, tire de él hacia arriba. Para bajar el asiento, coloque la palanca de ajuste debajo del asiento y tire de la palanca hacia arriba para deslizar el asiento hacia abajo. Suelte la palanca para bloquearlo en ese lugar. Compruebe que el pilar del asiento esté bloqueado en su posición correcta antes de cada uso.

Para bicicletas verticales con un control de ajuste del asiento bloqueado, haga lo siguiente: Para ajustarlo, quite el asiento de la bicicleta y afloje el control de ajuste haciéndolo girar dos medias vueltas en sentido contrario al de las agujas del reloj. Tire del control hacia fuera para desbloquear el pilar y ajústelo hacia abajo o arriba, hasta alcanzar la posición deseada. Para volver a bloquear el control, suéltelo. Gire el control en el sentido de las agujas del reloj hasta que quede apretado. Compruebe que el pilar del asiento esté bloqueado en su posición correcta antes de cada uso.

### AJUSTE DEL ASIENTO DE LAS BICICLETAS RECLINADAS

Para bicicletas reclinadas con palancas de ajuste, haga lo siguiente: Para ajustar la posición del asiento, coloque la palanca por debajo del asiento antes de montar en la bicicleta. Sitúe la mano derecha en el manillar de ajuste debajo del asiento. Cuando esté sentado, coloque los pies en el suelo y deslice el asiento lo que necesite. Coloque los pies en los pedales y, con cuidado, eleve la palanca debajo del asiento. Con las piernas, empuje despacio y deslice el asiento hacia arriba o hacia abajo hasta una posición desde la cual pedalee con comodidad (una postura donde las rodillas se flexionen ligeramente cuando las piernas se estiren al máximo). Suelte la palanca para bloquearlo en ese lugar.

Para bicicletas reclinadas con un manillar de ajuste del asiento bloqueable, haga lo siguiente: Suba el manillar hasta la posición media de modo que quede aflojado. A continuación, deslice el asiento hasta una posición desde la cual pedalee con comodidad (una postura donde las rodillas se flexionen ligeramente cuando las piernas se estiren al máximo). Bloquee el mecanismo girándolo hacia abajo hasta que el manillar esté apretado.

### AJUSTE DEL RESPALDO DE MALLA RECLINADO

Algunas bicicletas reclinadas están equipadas con un respaldo de malla que se puede reclinar. Los ajustes de la inclinación se llevan a cabo con una palanca giratoria situada en el lado derecho del usuario, por detrás del manillar. Compruebe el MANUAL DE MONTAJE, ya que no todos los respaldos de malla disponen de una palanca de ajuste.

Para ajustar el ángulo de inclinación del respaldo del asiento, gire la palanca hacia abajo (en sentido contrario al de las agujas del reloj) y recuéstese contra el respaldo forrado de malla hasta que alcance la posición deseada. Cuando haya fijado la posición, gire la palanca hacia arriba (en el sentido de las agujas del reloj) hasta que llegue a una posición cómoda. El respaldo del asiento viene equipado con un sistema de resortes que lo devuelve a su posición original cuando se suelta la palanca de ajuste y el usuario no está recostado contra el respaldo.

# SOLUCIÓN DE PROBLEMAS

## PREGUNTAS HABITUALES SOBRE EL PRODUCTO

### ¿SON NORMALES LOS RUIDOS DE MI BICICLETA ESTÁTICA?

Nuestras bicicletas estáticas son de las más silenciosas del mercado porque utilizan sistemas de transmisión por correa y una resistencia magnética sin fricción. Utilizamos cojinetes y correas de la mejor calidad para minimizar el ruido. No obstante, debido a que el propio sistema de resistencia es muy silencioso; es muy silencioso, oírás en ocasiones otros pequeños ruidos mecánicos. A diferencia de otras tecnologías más antiguas y ruidosas, nuestras bicicletas estáticas no presentan ruidos de ventiladores, de correas de fricción o de alternadores para enmascarar estos sonidos. Estos ruidos, que pueden ser intermitentes o no, son normales. Se deben a la transferencia de elevadas cantidades de energía a un volante que gira a gran velocidad. Los cojinetes, las correas y otras partes giratorias producirán algún ruido que se transmitirá a través de la carcasa y el bastidor. Del mismo modo, debido a la dilatación térmica de las piezas, es normal que estos sonidos varíen ligeramente durante un ejercicio y a lo largo del tiempo.

### ¿POR QUÉ LA BICICLETA ESTÁTICA QUE ME HAN ENVIADO HACE MÁS RUIDO QUE LA QUE HABÍA EN LA TIENDA?

Todos los equipos de deporte parecen más silenciosos en una sala de exposición de una tienda grande porque normalmente hay más ruido de fondo que en su casa. También habrá menos reverberación en un suelo de hormigón enmoquetado que en uno recubierto con paneles de madera. A veces, una esterilla pesada de goma contribuirá a reducir la reverberación por el suelo. Si un equipamiento deportivo se coloca cerca de una pared, habrá más ruido reflejado.

### ¿CUÁNTO TIEMPO DURARÁ LA CORREA DEL MOTOR?

En la simulación por ordenador que llevamos a cabo, se estimó un funcionamiento de prácticamente miles de horas sin necesidad de mantenimiento. No debería tener que reemplazar la correa mientras tenga la bicicleta estática en su posesión.

### UNA VEZ MONTADA, ¿PUEDO DESPLAZAR LA BICICLETA ESTÁTICA DE FORMA SENCILLA?

La bicicleta estática dispone de un par de ruedas de transporte ubicadas en el estabilizador frontal. Siga los pasos de la sección DESPLAZAMIENTO DE LA BICICLETA ESTÁTICA para transportarla. Es importante que coloque la bicicleta estática en un espacio acogedor y cómodo. Está diseñada para ocupar el menor espacio posible. Es muy habitual colocar la bicicleta estática enfrente de la televisión o de un ventanal. En la medida de lo posible, evite instalarla en un sótano sin terminar. Para que el ejercicio sea una actividad diaria apetecible, la bicicleta estática debería colocarse en un lugar agradable.

## SOLUCIÓN DE PROBLEMAS BÁSICOS

**PROBLEMA:** La consola no se enciende.

**SOLUCIÓN:** Verifique lo siguiente:

- La toma de corriente a la que la máquina está conectada funciona. Compruebe que el disyuntor no ha saltado.
- Está usando el cable de alimentación correcto. Utilice únicamente el cable de alimentación proporcionado. Pruebe la tensión del cable de alimentación para verificar que suministra la tensión de salida especificada en la etiqueta.
- El cable de alimentación no está estrangulado ni dañado, y está conectado adecuadamente a la toma de corriente Y a la máquina.
- Desconecte el cable de alimentación, retire la consola y compruebe que las conexiones a esta son seguras y no están dañadas o estranguladas. Desconecte y vuelva a conectar el cable de la consola.

**PROBLEMA:** La consola se enciende, pero no marca la distancia, la potencia ni las RPM.

**SOLUCIÓN:** Verifique lo siguiente:

- Desconecte el cable de alimentación, retire la consola y compruebe que las conexiones a esta son seguras y no están dañadas o estranguladas. Desconecte y vuelva a conectar el cable de la consola.
- Si después de realizar estos pasos, el problema no se soluciona, es posible que el sensor de velocidad o el imán se hayan desplazado o dañado.

**PROBLEMA:** Parece que los niveles de resistencia no son correctos: son demasiado difíciles o demasiado fáciles.

**SOLUCIÓN:** Verifique lo siguiente:

- Está usando el cable de alimentación correcto. Utilice únicamente el cable de alimentación proporcionado.
- Restablezca la consola para que la resistencia vuelva a la posición predeterminada. Reiniciela y vuelva a probar los niveles de resistencia.

**PROBLEMA:** Al hacer ejercicio, se oye o se siente un chasquido proveniente de los pedales.

**SOLUCIÓN:** Verifique lo siguiente:

- Verifique que la bicicleta está colocada sobre una superficie llana.
- Retire los pedales, aplique fijador de roscas azul a las roscas y vuelva a apretar los pedales con una llave fija.

**PROBLEMA:** La bicicleta estática emite un chirrido.

**SOLUCIÓN:** Verifique lo siguiente:

- La bicicleta está colocada sobre una superficie llana.
- Afloje todos los pernos que haya colocado durante el proceso de montaje, lubrique las roscas y vuelva a apretarlos.

### PARA BICICLETAS CON ALTAVOCES:

**PROBLEMA:** Cuando se conecta un reproductor de MP3, los altavoces no suenan o emiten un sonido distorsionado.

**SOLUCIÓN:** Asegúrese de que el cable de audio está bien enchufado tanto a la consola como a la toma del reproductor de MP3.





## SOLUCIÓN DE PROBLEMAS

### RITMO CARDIACO (SOLO AGARRES DE MEDICIÓN)

Compruebe la zona donde se está entrenando para ver si hay fuentes de interferencia como tubos fluorescentes, ordenadores, vallado subterráneo, sistemas de seguridad del hogar o equipos eléctricos con motores de gran tamaño. Estos dispositivos pueden provocar lecturas irregulares de la frecuencia cardiaca.

Puede experimentar lecturas irregulares bajo las siguientes condiciones:

- Agarrar en exceso las asas de medición de la frecuencia cardiaca. Trate de mantener una presión moderada al sujetar las asas de medición de la frecuencia cardiaca.
- Movimiento y vibración constantes debido al agarre permanente de las asas de medición mientras se entrena. Si recibe lecturas irregulares de su frecuencia cardiaca, trate de agarrar las asas únicamente lo necesario para monitorizar su frecuencia cardíaca.
- Si respira fuertemente durante un entrenamiento.
- Si tiene las manos oprimidas por llevar un anillo.
- Si tiene las manos secas o frías. Trate de humedecer las palmas frotándolas para calentarlas.
- Cualquier persona con una arritmia severa.
- Cualquier persona con arteriosclerosis u otro problema de circulación sanguínea periférica.
- Cualquier persona con la piel especialmente gruesa en la palma donde se efectúa la medición.

### ¿NECESITA AYUDA?

Si esta sección no pone remedio al problema, deje de usar el equipo y apáguelo.



**Para solicitar ayuda, consulte la información de contacto de la TARJETA DE INFORMACIÓN.**

Puede que se le solicite la siguiente información cuando llame. Tenga esta información a su disposición:

- Nombre de modelo
- Número de serie
- Prueba de compra (recibo o extracto de la tarjeta de crédito)

Estas son algunas de las preguntas que suelen hacerse para la solución de problemas:

- ¿Cuánto tiempo lleva experimentado este problema?
- ¿Ocurre este problema siempre que la utiliza?  
¿Con cualquier usuario?
- Si escucha un ruido, ¿este viene de la parte delantera o trasera? ¿Qué tipo de ruido es (zumbido, chirrido, etc.)?
- ¿El mantenimiento de la máquina se ha realizado de acuerdo con el plan de MANTENIMIENTO?

La respuesta a estas y a otras preguntas permitirá a los técnicos enviar los recambios adecuados y prestar el servicio necesario para que la bicicleta vuelva a funcionar y pueda volver a hacer ejercicio.

Puede encontrar más sugerencias para solucionar problemas en la sección de atención al cliente de nuestro sitio web.



## MANTENIMIENTO

### ¿QUÉ TIPO DE MANTENIMIENTO RUTINARIO ES NECESARIO?

Se requiere un mantenimiento y una limpieza mínimos. Seguir este plan aumentará la vida útil de la máquina.

Nuestras bicicletas no necesitan lubricación gracias a que utilizamos cojinetes sellados. El paso de mantenimiento más importante no consiste en nada más que limpiar la transpiración de la bicicleta después de cada uso.

### ¿CÓMO LIMPIO MI BICICLETA?

Límpiala únicamente con jabón y agua. No utilice nunca disolventes en las piezas de plástico. La limpieza de la bicicleta y del entorno en el que se usa minimizará los problemas de mantenimiento y las llamadas al equipo de mantenimiento. Por este motivo, se recomienda seguir este plan de mantenimiento preventivo.

## ADVERTENCIA

Para desconectar la bicicleta de la corriente, saque el cable de alimentación del enchufe.

## PLAN DE MANTENIMIENTO

TAREA	FRECUENCIA
<p>Después de cada uso:</p> <ul style="list-style-type: none"><li>• Desconecte el cable de alimentación de la toma de corriente para apagar la bicicleta.</li><li>• Limpie la bicicleta con un trapo húmedo. No emplee nunca disolventes, puesto que podrían dañar la bicicleta.</li><li>• Examine el cable de alimentación. Si el cable de alimentación está dañado, consulte la información de contacto en la cara posterior de la TARJETA DE INFORMACIÓN para reemplazarlo.</li><li>• Asegúrese de que el cable de alimentación no ha quedado bajo la bicicleta o en ningún otro lugar en el que pueda estrangularse o seccionarse.</li></ul>	DIARIA
<p>Limpie la zona bajo la bicicleta. Para ello, siga estos pasos:</p> <ul style="list-style-type: none"><li>• Apague la bicicleta.</li><li>• Desconecte el adaptador de corriente de la bicicleta.</li><li>• Desplace la bicicleta a otra ubicación.</li><li>• Limpie o aspire las partículas de polvo u otros objetos que puedan haberse depositado bajo la bicicleta.</li><li>• Vuelva a colocar la bicicleta en su ubicación previa.</li></ul>	SEMANAL
<ul style="list-style-type: none"><li>• Examine y apriete todos los pernos del montaje y los pedales de la máquina.</li><li>• Limpie cualquier resto de los raíles guía del asiento.</li></ul>	MENSUAL





---

MATRIX

