

W Series Frame Standoff Bracket

W Series Frame -2WB Installation Instructions



Starter Kit Included Parts

- (2) W Series Frame
2WB Pieces

Required Tools

- Phillips Head Driver
- Drill
- Level
- Metal Cutting Saw
- Tape Measure
- Metal File
- Pencil

Fasteners: There are pre-drilled mounting holes in each Standoff Bracket. Appropriate fasteners for your surface must be utilized in every mounting hole for proper installation. Fasteners for attaching the frames to the floor or ceiling are not. We recommend the following fasteners for these surfaces:

- Drywall installations should attach to joists or wood backing when available with a #8 X 1 1/2" course thread screw or larger alternatively, use expanding hollow wall anchors with at least #8 screw size
- Wood surfaces use #8 X 1 1/4" course thread screws or larger
- Concrete, Brick or Stucco: 3/16" x 1 1/4" masonry screw or #8 x 1 1/4" screw with appropriate size expanding concrete anchor

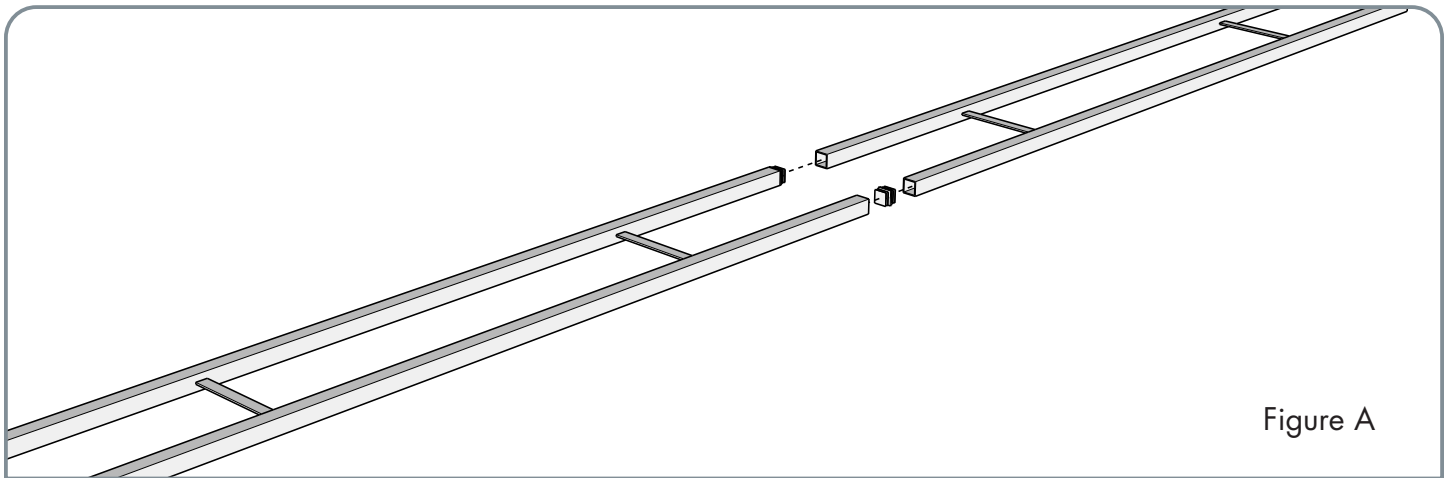


Figure A

1. Assemble the Frame: Insert the plastic couplers into the open ends of one frame section and slide the second frame section over the exposed ends of the couplers (Figure A), ensuring both sections are seated flush against the coupler.

2. Measure: Measure the distance from the floor to the centerline where the wall brackets will attach (Figure B). Add 3/8" (9.5mm) to allow for the thickness of the bottom mounting plate and the offset of the wall bracket. Mark the calculated distance on both legs of the frame on the side nearest the Base Plate you are replacing.

Note: If the calculated measurement aligns with one of the cross members, cut 2" (52mm) off one end of the frame and then mark the cut lines, measuring away from the cut end of the frame.

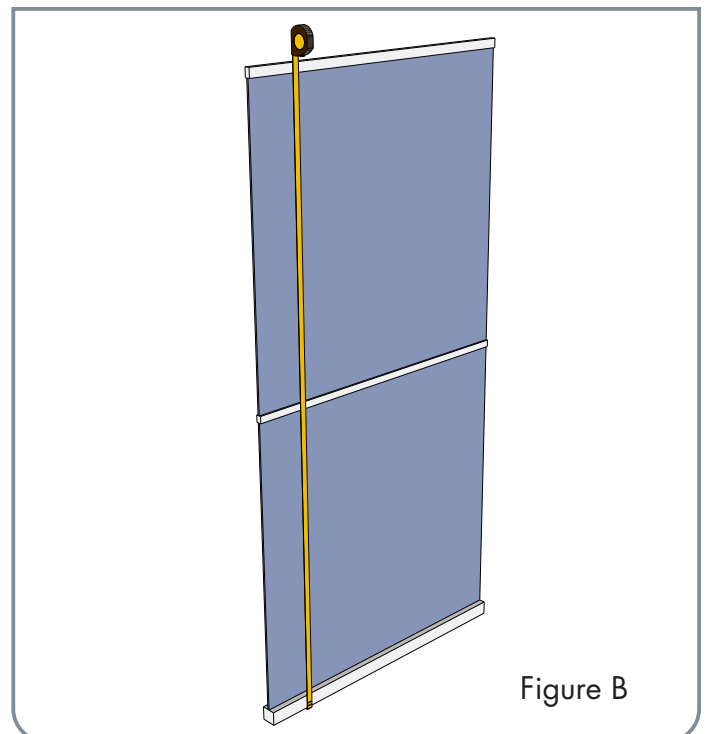
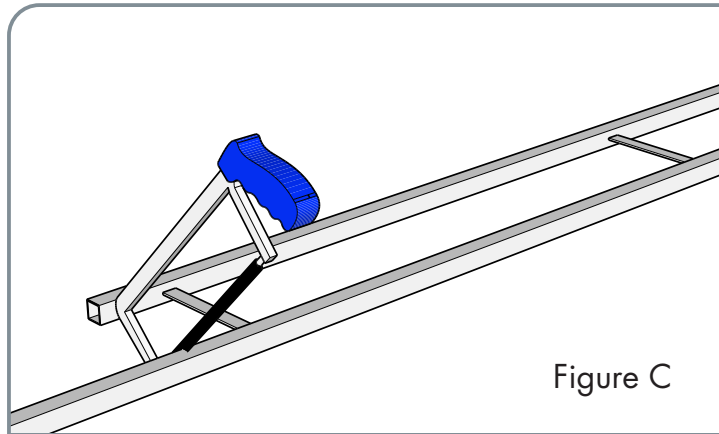


Figure B

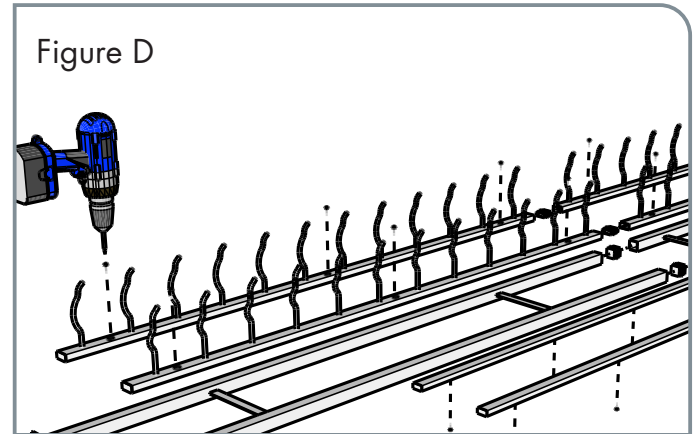


3. Cut the Frame: Using a reciprocating saw, band saw, or hack saw with the appropriate blade; squarely cut both legs of the frame at the marks from Step 2 (Figure D). With a metal file, carefully remove any resulting burrs from the cuts.

Pro-Tip: An abrasive cut-off saw should not be used, as the heat generated is likely to damage the finish of the W Series Frame.

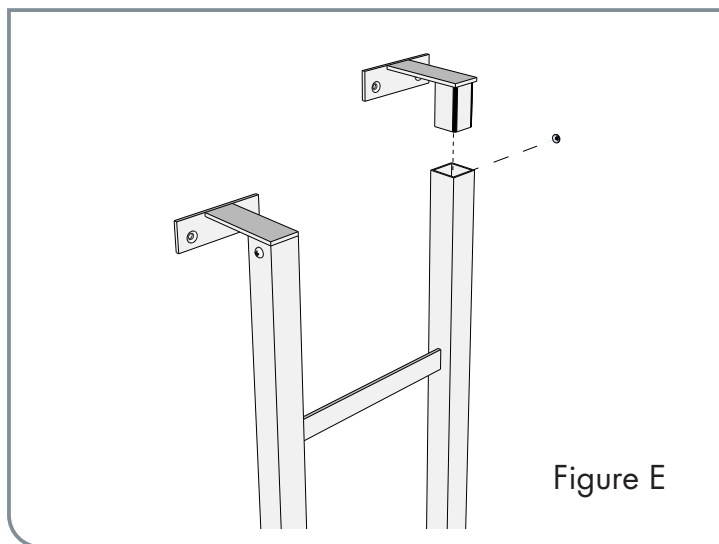


4. Attach the Racks: Secure the W Series racks and/or W Series Frame Backer Bar to the front and back faces (Figure D), ensuring that the coupled joint of the frame is spanned by the back strip of a W Series rack or a backer bar and that the rack or backer bar spanning the joint is screwed into both the upper and lower sections of the frame.



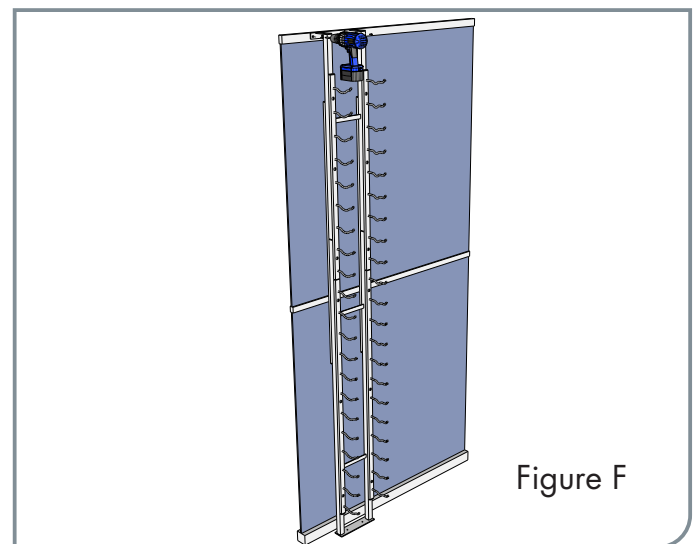
5. Insert the mounting plates

Slide the C-channels of the Standoff Brackets into the open end of frame, ensuring that it is seated flush against the horizontal plate. Then, install the wall brackets and secure both sets with a self-drilling screw through the side of the frame.



6. Install the frame

Position the assembled frame, ensuring it is plumb both front to back and side to side using a level, and fasten at the top through all available mounting holes (Figure F). Mounting hardware from your W Series wine rack works great for this. Then, secure the bottom of the frame through the holes in the mounting plates.



Note: For detailed instructions installing the included or any additional Base Plate, refer to specific product's instructions.

