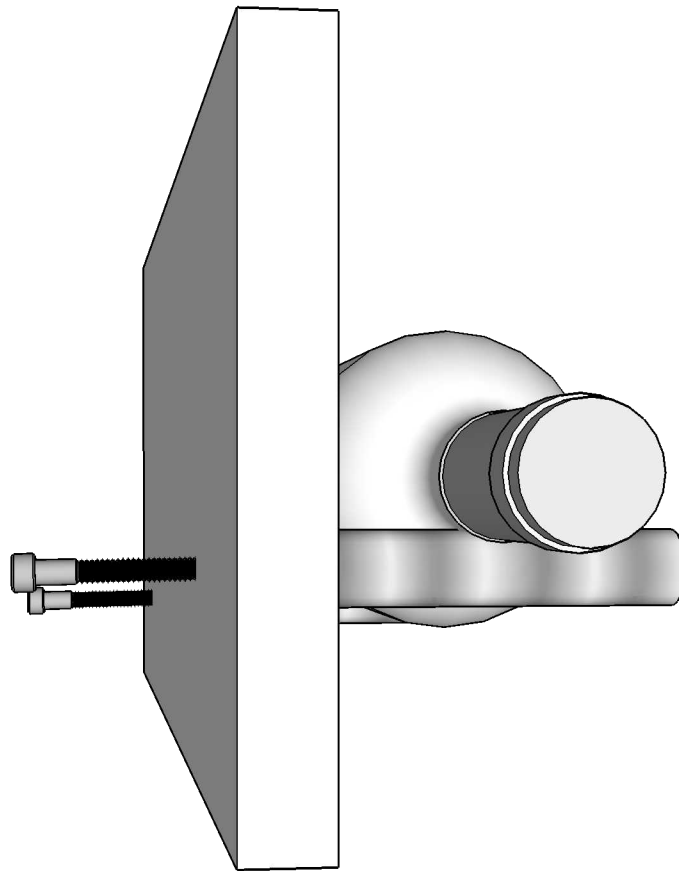


PERSPECTIVE OF HOW PEGS MOUNT THROUGH PANEL:

*ACCESS TO BACK OF PANEL IS REQUIRED TO INSTALL PEGS

*1/4" HOLES TO BE DRILLED TO RECEIVE PEG HARDWARE

*WE RECOMMEND MOUNTING PANEL WITH Z-CLIPS (FRENCH CLEATS)



PERSPECTIVE OF HOW PEGS MOUNT WITH ANCHOR BOLTS:

*NO ACCESS TO BACK OF PANEL IS REQUIRED WITH ANCHOR BOLTS

*5/32" (4MM) PILOT HOLES TO BE DRILLED TO RECEIVE PEG HARDWARE

INSTALL THE ANCHOR BOLTS:

*Thread 2 nuts onto the fine threaded end of one anchor bolt, using two wrenches, tighten the nuts against one another (Figure D).

*With the nuts tightened against each other, use one wrench on the outer nut and thread the anchor bolt end into the pilot hole in the wall.

*Screw the bolt into the wall until the coarse threads of the anchor bolt end are no longer visible, leaving just the finer threads exposed (Figure E).

*Again using 2 wrenches, loosen the nuts and remove them to repeat the process for the second anchor bolt

