

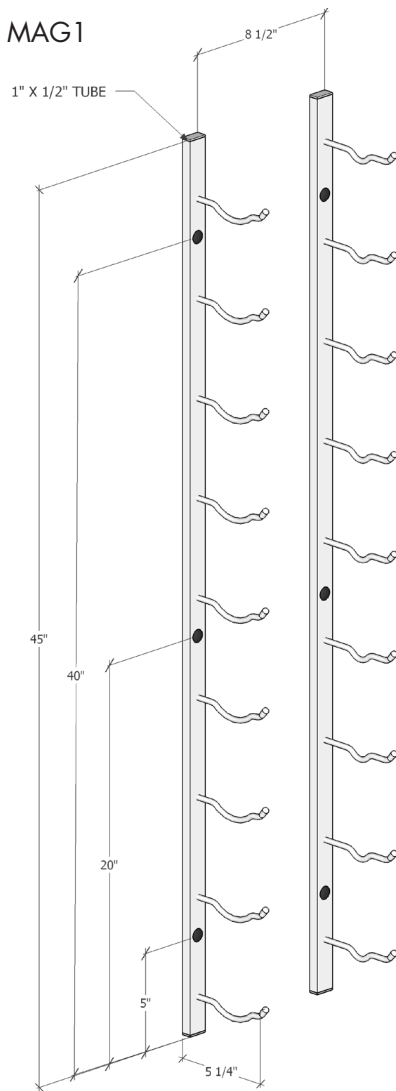
# Wall Series Magnum

(MAG1 and MAG2) Spec Sheet

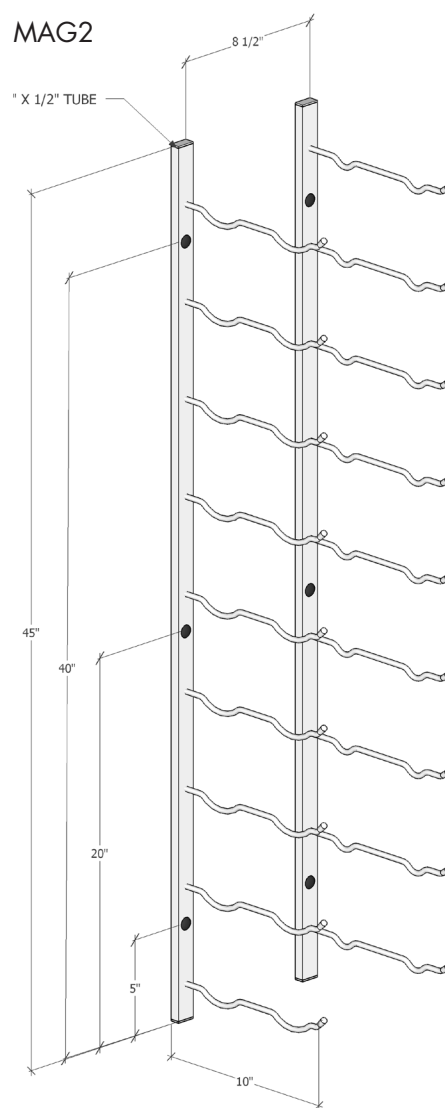


The Magnum Racks hold 9 or 18 bottles, dependant on bottle depth configuration.

MAG1



MAG2



VINTAGEVIEW®  
MOVING WINE STORAGE FORWARD