

W Series Frame Hidden Base Plate

Installation Instructions for FCF-HIDDEN



Starter Kit Included Parts Required Tools

- (2) FCF-BASE
- (2) Self-Drilling Screws
- Phillips Head Driver / Drill Level
- Metal Cutting Saw
- Tape Measure
- Metal File
- Pencil
- Level

Note: These instructions presume that FCF Hidden Base Plates will be used in both the top and bottom of the Floor-to-Ceiling Frame. Adjust accordingly if only using Hidden Base Plates at one end.

1. Cut one of the welded mounting plates off from the FCF Mounted Frame

On one section of the Floor-to-Ceiling frames only, squarely cut the posts flush with the mounting plate to remove the mounting plate. Clean off any resulting burrs with a metal file. This will leave one section with a mounting plate and the other open ended at both ends.

2. Assemble the frame

Locate the plastic couplers that came with the Floor-to-Ceiling Mounted Frame and insert them into the open end of one section of the floor-to-ceiling frames.

ProTip: Protect the frame and your work surface / floor from damage, slide the two sections of FCF-HD frame together, so that the couplers are fully seated in both sections of the floor-to-ceiling frames.

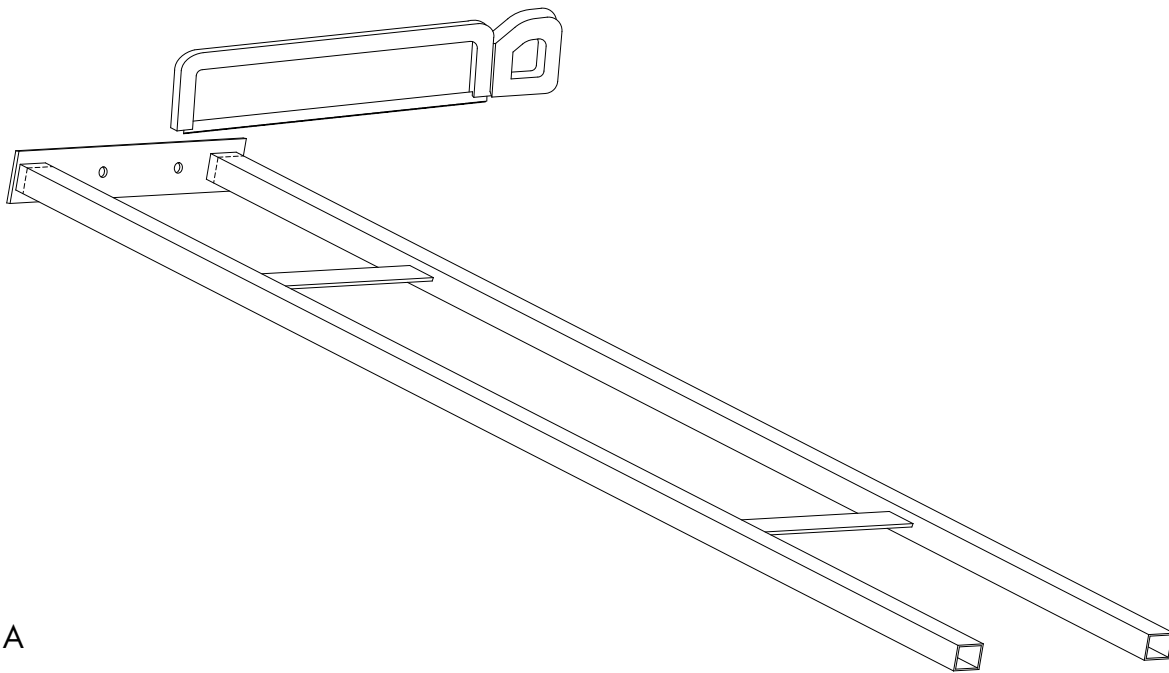


Figure A

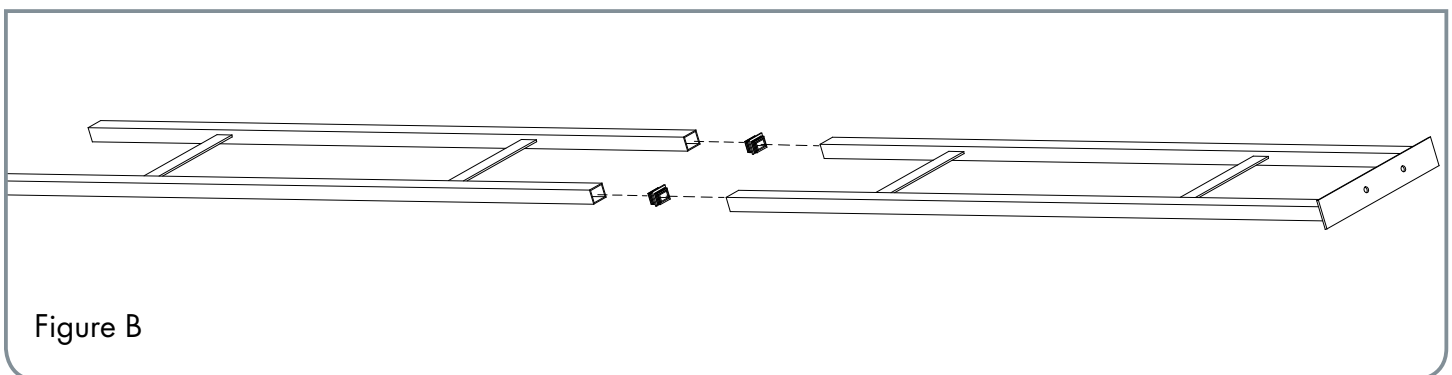


Figure B



3. Insert the FCF Hidden Base Plates

a. Slide the Hidden Base Plate pieces into the open ends of the Floor-to-Ceiling Frame, with the mounting holes positioned toward the front and back of the Frame. For maximum rigidity when installed, it is recommended that a self-drilling screw be inserted through the side wall of the frame and into the "U" channel of each bracket.

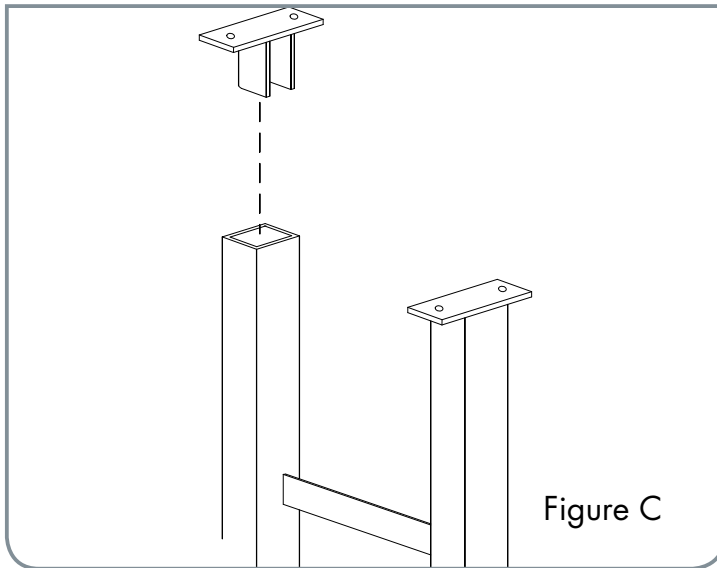


Figure C

4. Mark and cut the frame to length

a. Take a precise measurement of the floor to ceiling distance in the exact spot that the frame is to be installed and subtract 1/8 inch (the thickness of the Hidden Base Plate) and write down the resulting measurement.

Starting from the end with the Hidden Base Plates already installed, measure toward the end with the welded mounting plate still in place and mark both uprights with the measurement written down; so that the remaining welded mounting plate will be cut off. Cut the frame squarely at the marked locations and carefully remove any burrs with a metal file.

5. Complete the installation

a. Install the second set of Hidden Base plates following the procedure in step 3 and refer to the Floor to Ceiling Frame (FCF) installation instructions to complete the remaining installation steps, ensuring that screws are securely fastened into both mounting holes in each Hidden bracket.

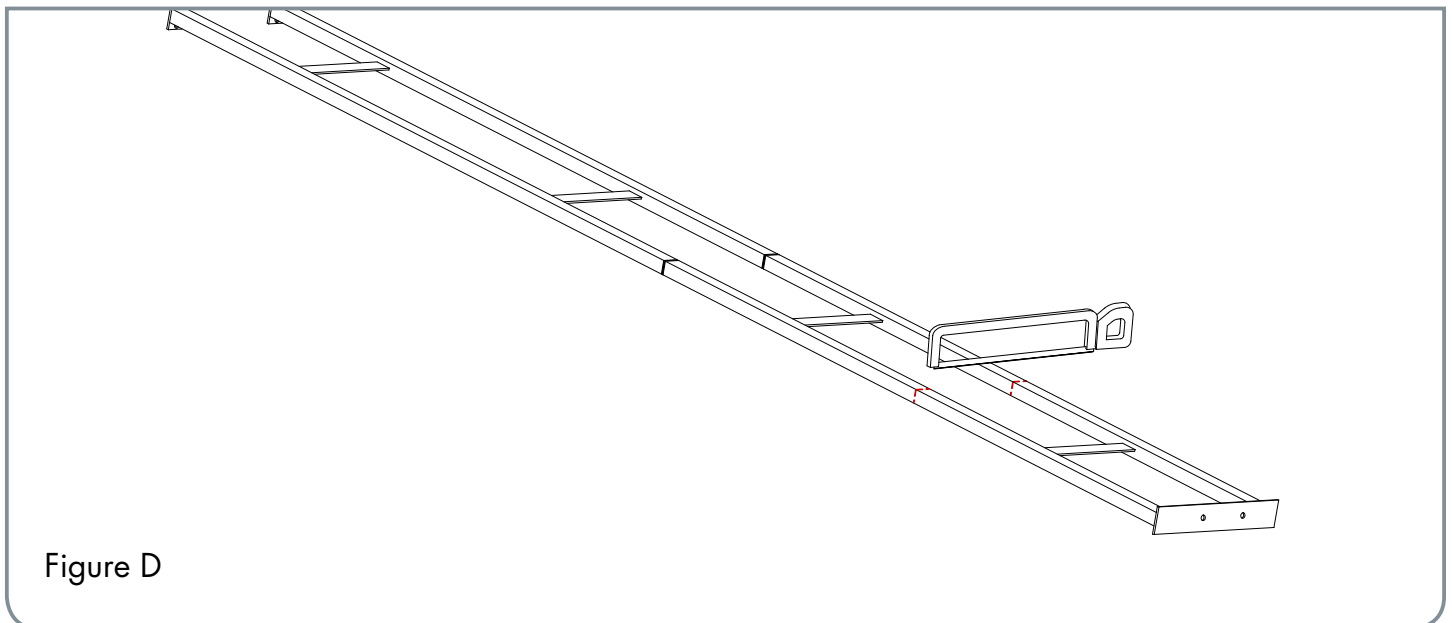


Figure D

