

EUROCAVE



Modulo-x



Stage your passion.

We don't just want to give your wines
all the attention they deserve, we want
to offer you incredible moments.

Living room layout - Wall installation
3 columns W440, 2 columns W750

Manufactured in France

A wine library that meets your expectations.

Studying his bottles, the wine lover is faced with a dilemma. How should he store and categorize them?

For a collector, the ideal is to have a wine library, like they have in top restaurants.

Endlessly modular, the Modulo-X storage system provides an optimal wine storage layout.

Understated and light, the aluminium structure allows all layouts, fastened to the wall or ceiling.

Modulo-X effectively displays your collection: backlighting over the entire height of the installation and skilfully displayed bottles, each element being freely repositionable and adjustable.



Tasting area - Ceiling and wall installation
4 columns W440, 9 columns W750, corner shelves



A unique design



Wine lovers who like design will spend many hours organising their wine, thanks to the different bottle display options offered: upright, inclined, flat, with labels visible...

Main du Sommelier



Here, aesthetics meets practicality, enabling you to easily select the bottle of your choice.

Detachable and repositionable, our patented Main du Sommelier bottle supports adapt to all bottle shapes including Riesling, Bordeaux, Burgundy, Champagne and Magnums.

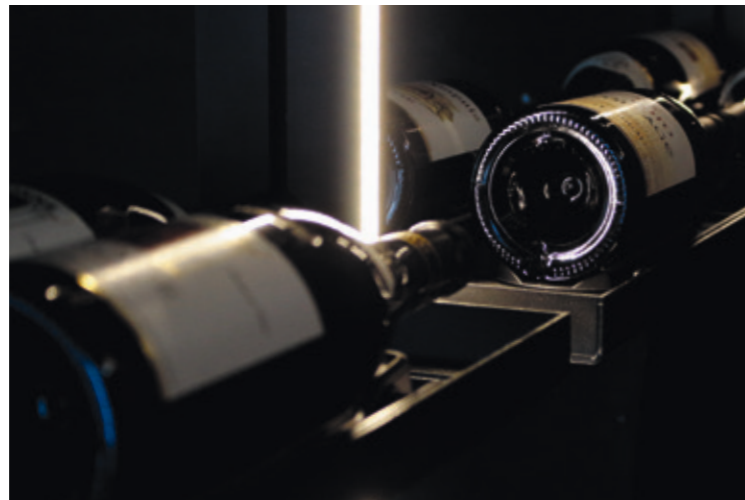
The only limit is your imagination.

Directly in your natural cellar or in a dedicated air-conditioned room, your wine wall can be created in linear, corner or island version, depending on the criteria of the room to be fitted out.

The width and height of the structure can be adjusted to perfectly optimise space.
Create storage up to the ceiling if need be!

Simply elegant.

Every detail has been meticulously crafted. The elegance of the grain of the structure in black powder-coated aluminium is revealed by the subtle lighting.



Vary the light intensity without damaging the contents of your precious bottles.



Take your best pen and write the names of your wines on the bottle identification strips.*

* available as an optional extra



Cosy layout - Ceiling installation
2 columns W750 (wooden shelves not supplied)

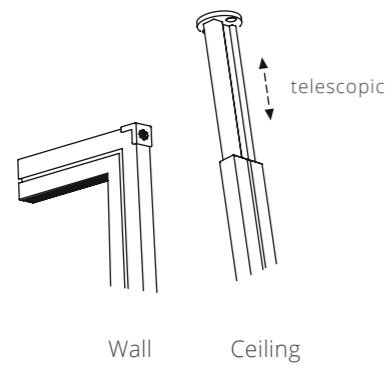
The science of storage.

Our role is to bring the work of the wine producer to the palate of the experienced wine enthusiast. With the same high standards we have for our wine cabinets, we are designing unique wine storage areas, achieving the perfect balance between performance and aesthetics.

Our Research & Development department has tested the Modulo-X structure with load tests.
Store up to 300 kg!

Choose your layout.

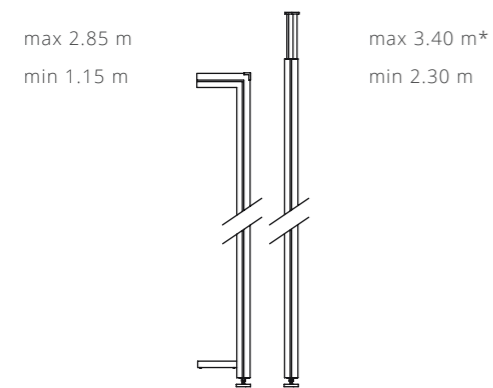
Structure - Black powder-coated anodised aluminium
 Lighting included
 2 installations possible



2 central storage section widths



Height of central storage sections



Arrange your bottles.

Bottle supports - W440 and W750 mm

Bottles flat, inclined, labels displayed
 Fitted with Main du Sommelier bottle supports
 Bottle identification strips available as an optional extra
 Steel coated with black epoxy-based paint



Corner and straight shelves - W440 and W750 mm

Displaying of accessories, bottles and wine cases
 Steel coated with black epoxy-based paint
 Black melamine-faced wood, 19 mm thick



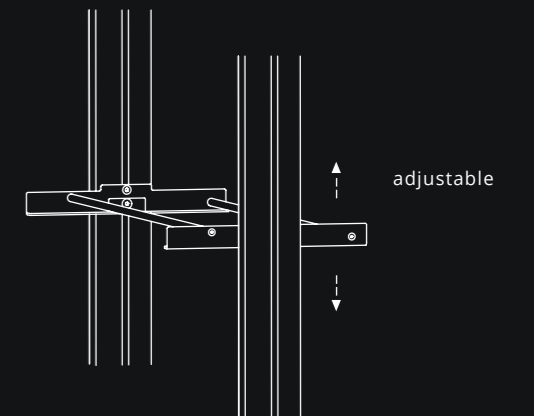
Maximum capacity

Examples of capacity for a W750 mm central storage section
 Configurations valid according to ceiling height



Adjustable & repositionable

Position the bottle supports and trays over the entire height of the posts.



* For all installations fastened to the ceiling, higher than 3.10 m, a stability kit must be used with the structure. Ask your EuroCave expert for advice.

Designing together a system that meets your expectations.

Before bringing your project to life, our collaboration starts with a layout plan analysis phase, advice concerning the thermal study and the creation of a 3D preliminary design. This phase brings together all your aesthetic requirements and the technical parameters.

Regardless of the room you want to fit out, we will find the solution that will bring your passion to life.

“

Discover our vision
of wine storage and service,
for over 50 years.