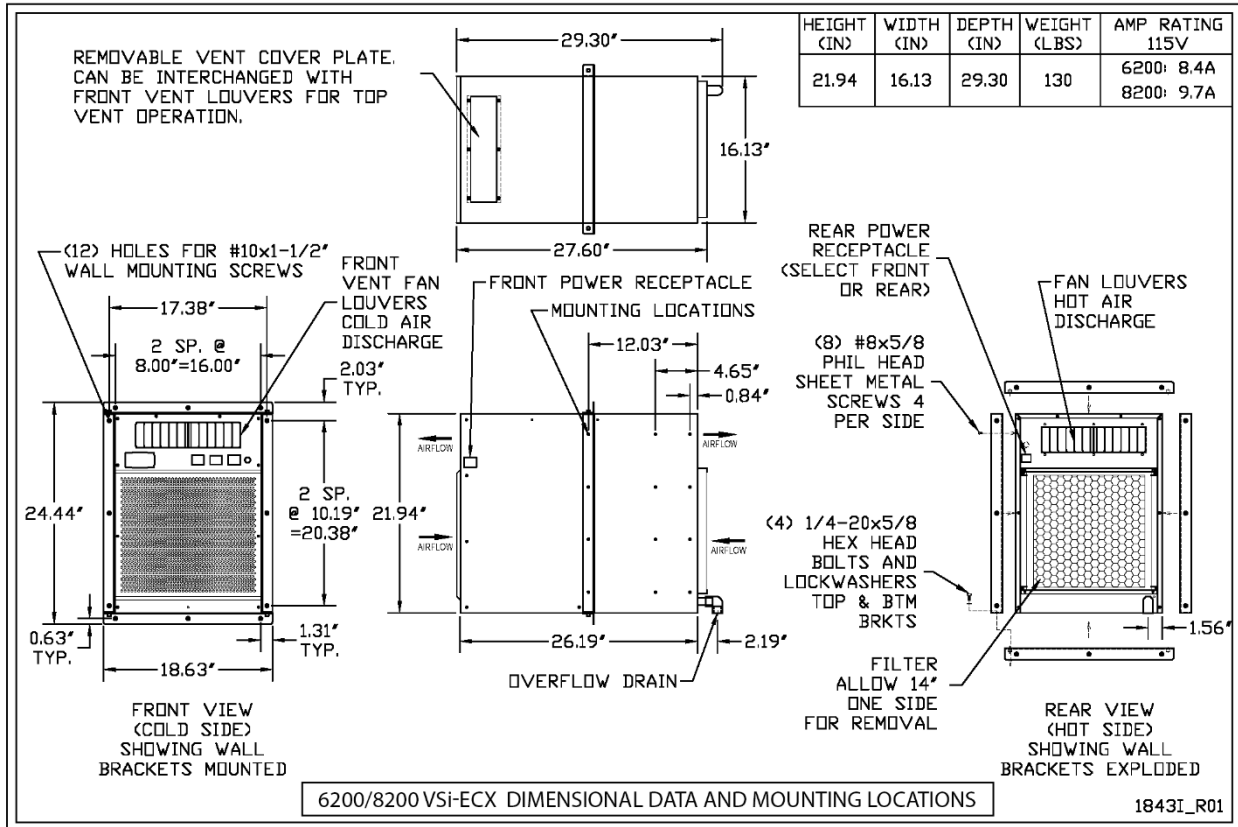
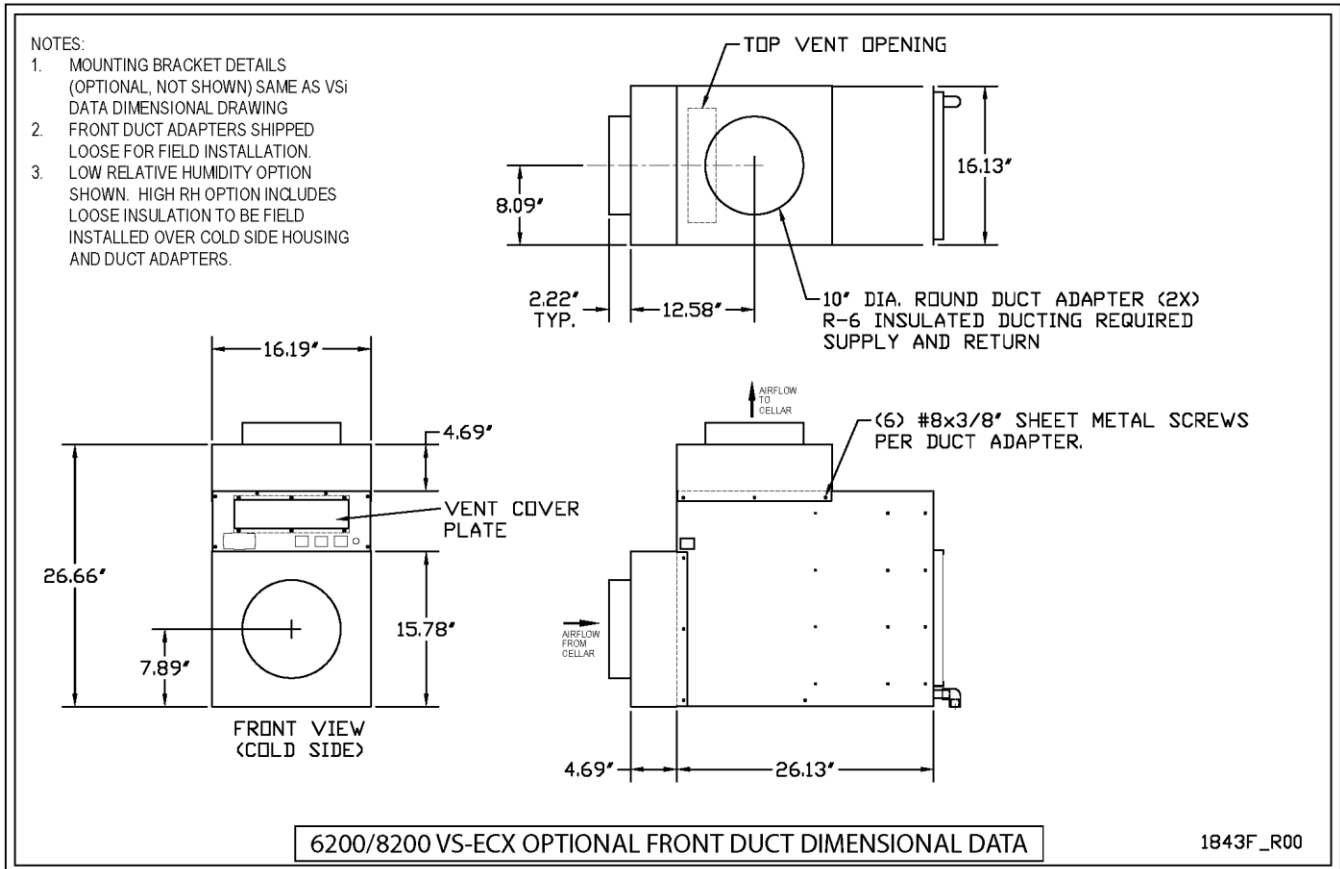


Dimensional Data



Front Ducted



Rear Ducted

