

# Case & Crate

Bin Short (CC-BIN) Installation Instructions

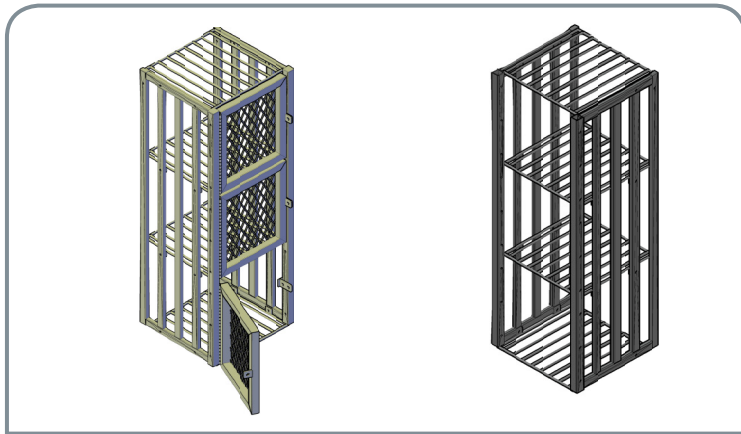


The Bin Short is the base unit for all Case & Crate bin configurations.

*Video guides, spec sheets, and additional support are available at [vintageview.com/caseandcrate](http://vintageview.com/caseandcrate)*

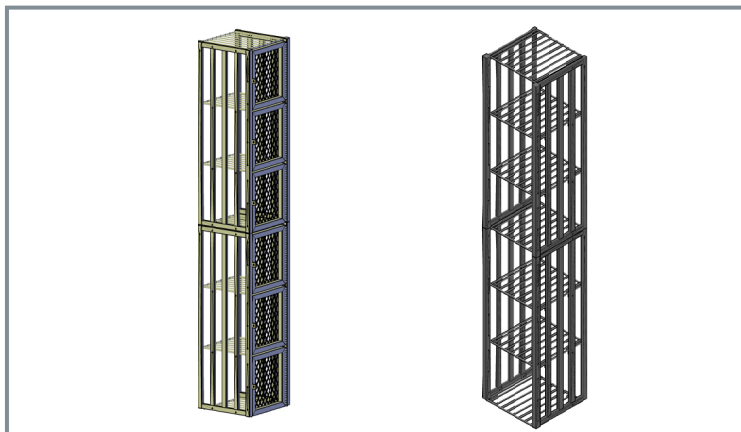
## Parts List & Configurations

- (2) Bin Side Wall
- (4) Bin Shelves
- (4) Levelers
- (4) Couplers (for vertical extension)
- (24) 5mm x 25mm Bolts with Nuts
- (1) Wall Anchor Bracket with
- (1) Toggle Bolt



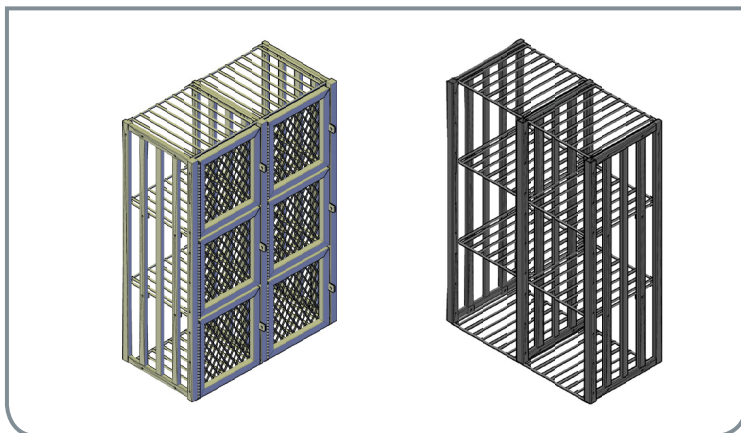
### Bin/Locker Short (Figure A)

*All parts included in this box for Bin; Locker Doors (CC-LOCKER) required for Locker configuration*



### Bin/Locker Tall (Figure B)

*Additional Bin needed (CC-BIN); Locker Doors (CC-LOCKER) required for Locker configuration*



### Bin/Locker Extended Units (Figure C)

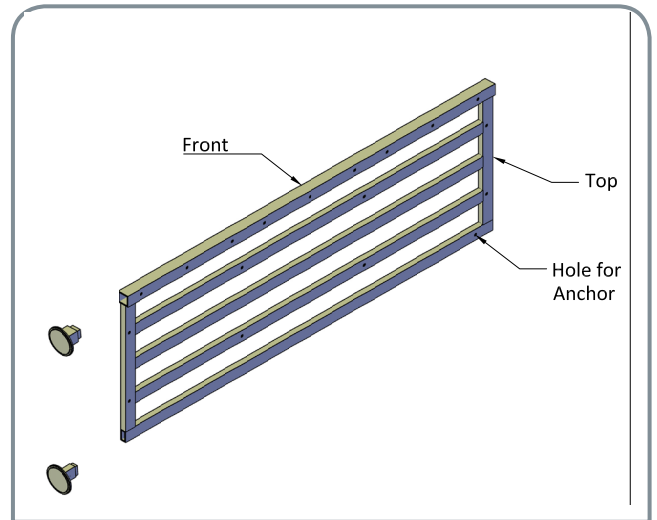
*Bin Extension kits (CC-BIN-EX) required for modular, horizontal growth. Locker Doors (CC-LOCKER) required for Locker configuration and additional Bins and Extension Kits required for tall configurations.*



## Step 1: Prep the Pieces

Begin by orienting the Bin Side Wall. The front features the thicker 1"x1" steel supports and the top of each unit features one drill hole on the inside of the slimmer 1"x0.5" beam.

Insert the supplied levelers on the bottom of each unit that will be used as a base. Insert End Caps to the top of the unit (skip this if it will be the base unit of a Bin Tall configuration).

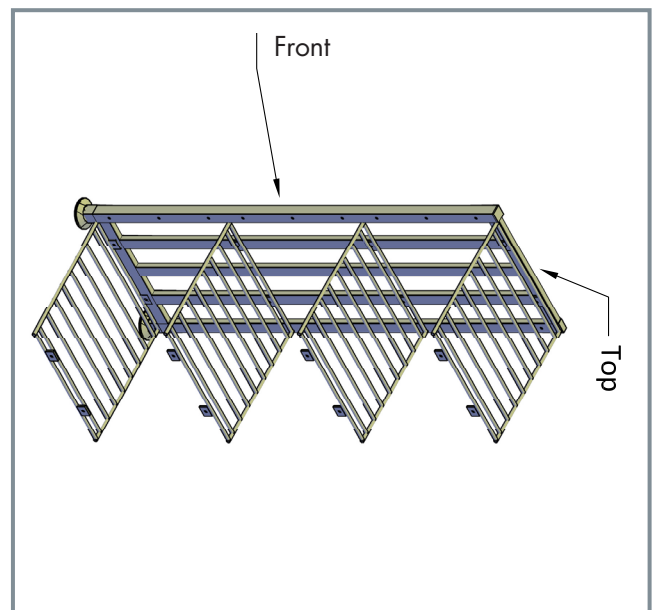


## Step 2: Connect the Shelves

Lay the first Bin Side Wall on the ground on its narrow edge (at a 90-degree angle from the floor). Starting from the top end, connect the first shelf using the supplied metal bolts inserted into the pre-drilled holes. Ensure the tabs of the shelf are facing down and the shelf is flush with the top of the support. Repeat this step for the middle shelves.

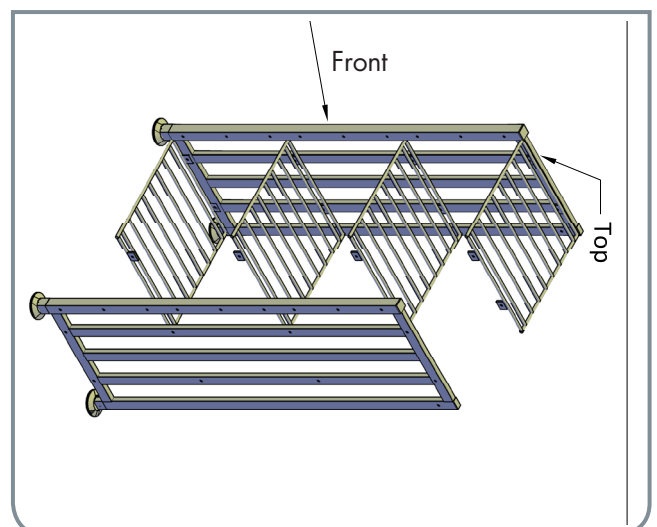
When installing the bottom shelf, ensure its tabs are facing up (the opposite of the other three shelves).

**Pro Tip:** When threading the bolts to the shelves, place the bolt head on the outside of the unit for added security.



## Step 3: Attach the Second Side Wall

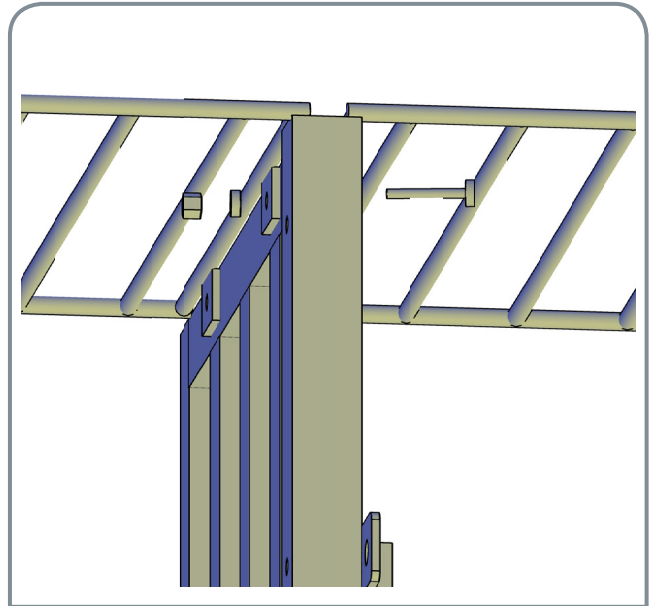
Align the top of the second Side Wall with the top shelf and connect using the provided bolts. Repeat for all other shelves.





## Step 3b: Prep for Extension Unit

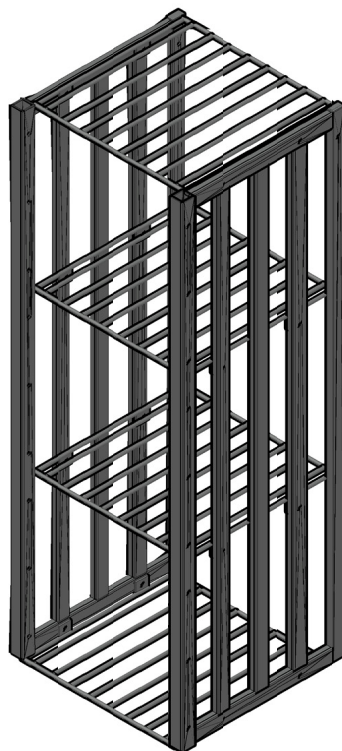
When installing Extension units, do not thread the nut until attached the shelf from the Extension kit. See the "Make it Wide" instructions on next page for more information.



## Step 4: Finish

Stand the unit upright and add your favorite 16 bottles into each bin.

*For maximum stability, we recommend attaching all Bin configurations to the wall using the included Wall Anchor Bracket. With unit pressed against the wall, find the pre-drilled hole on the back post of the Bin unit and mark its location on the wall. Pre-drill a hole (1/2" for provided drywall anchor). Then, attach the unit to the wall using the provided toggle bolt. Repeat for all Bin units.*



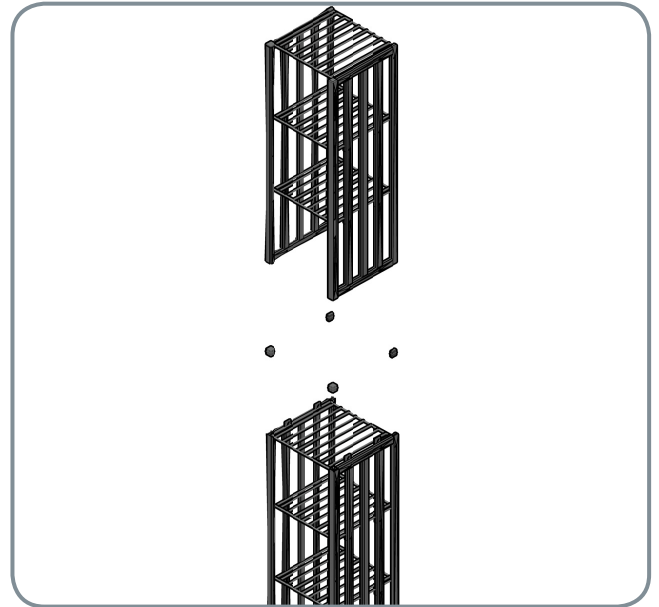


### **Make it Tall:** Add a top unit

Build the top unit following Steps 1-3, removing the End Caps from the base. Confirm that the base Bin unit has the supplied Levelers attached to the bottom and the End Caps removed from the top.

With the base Bin unit standing upright, insert supplied Couplers to the top of the unit. Slide the top Bin onto its respective set of Couplers.

*For installations including Extension Kits, install the first top Bin with the shelf nuts not secured (Step 3b), then connect the extension shelves, followed by the Extension Kit Side Wall. Repeat as many times as necessary.*



### **Make it Wide:** Add extension units

The Case & Crate Bins and Lockers are designed to modularly extend left or right, sharing the inside Support Wall.

1. Stand the Bin/Locker Short or Tall upright.
2. Starting from the top, install all shelves in the same manner as Step 2
3. Attach the Side wall on the outside in the same manner as Sept 3a
4. Repeat for as many Extension units necessary.

*Reference Figure C*

## **Accessorize**

### **Make it a Locker**

Installation instructions are included in all Locker Door (CC-LOCKER) packages. If you don't have the Locker Doors already, find them at [vintageview.com/caseandcrate](http://vintageview.com/caseandcrate).

### **Add an X-Bin**

Installation instructions are included in all X-Bin (CC-XRACK) packages. If you don't have an X-Bin already, find them at [caseandcrate.com](http://caseandcrate.com).

