

# W Series Big Bottles

Installation Instructions for Big Bottles (WS-BIG)



## Parts List

- 1 Base strip
- 1 Neck strip
- 8 mounting hole caps
- 2 Plastic Couplers
- 6 Spiral drywall anchors
- 8 screws
- 2 toggle bolts

## Required Tools

- Phillips head screw driver
- Level
- Pencil
- Tape Measure
- Drill

### Side Note:

Concrete, Brick or Stucco: 3/16" x 1 1/4" masonry screw or #8 x 1 1/4 inch screw with appropriate size expanding concrete anchor - not included

VintageView Floor-to-Ceiling Frame (FCF-MAG or FCF-HD): Each FCF comes with self-drilling screws to attach w series racks to the frames

Before you begin, choose the direction the bottle necks should point. Depending on which direction you choose note that the base strip should be lower than the neck strip.

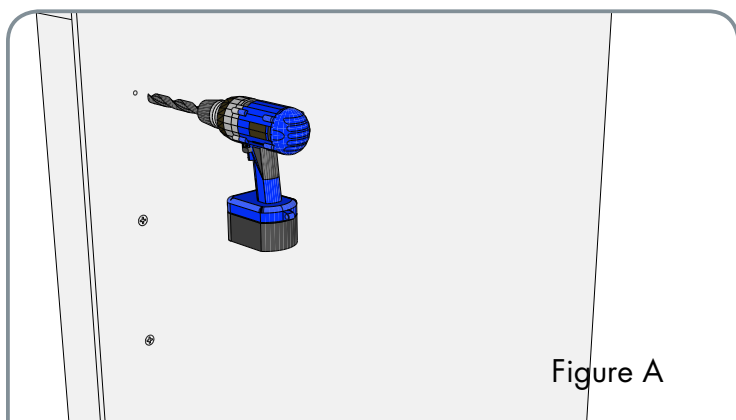


Figure A

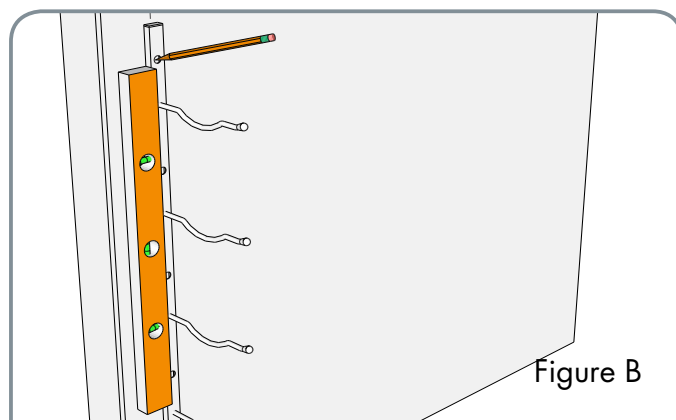
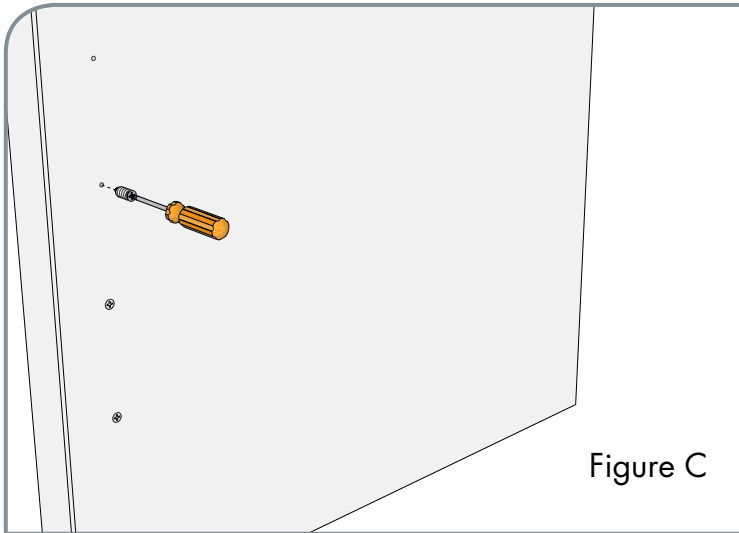


Figure B

**1. Lay out the wall –** Starting at least 3 1/2 inches (88.9 mm) from adjacent walls or other obstructions, mark the centerline of the first strip. From there, measure the overall length of a bottle that will be stored on the rack and subtract 6 in (152 mm) as a guideline. Typically, the measurement is between 10 and 14 inches (254 - 356 mm). Use that distance as the centerline between the neck and base strip and mark the location.

**2. Mark the hole location for the strip -** Hold either the neck or base strip of the rack in place against the wall, centered on the first mark the appropriate distance above the floor. Ensure that the rack is plumb using a level and mark the hole locations with a pencil then set the strip aside.

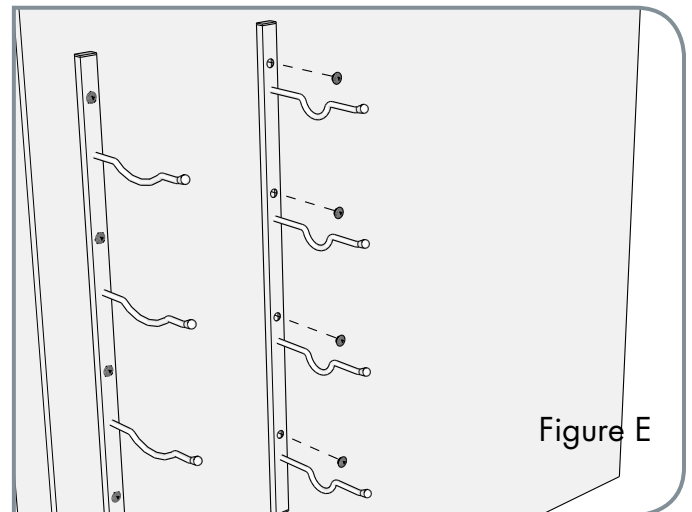
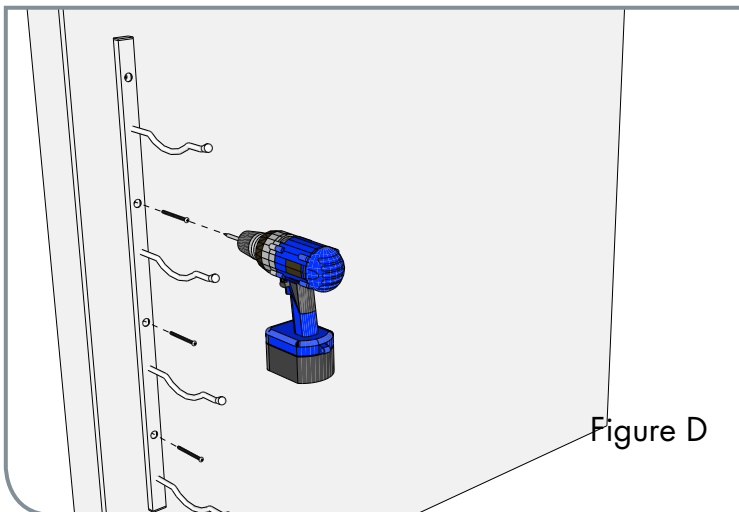


### 3a. Install the Anchors for Drywall –

For the lower 3 holes only, use a Phillips head screw driver to screw the Spiral Drywall Anchors into the wall at the marked hole locations until the head of the anchor is flush with the wall surface. For the top mounting point, drill a 1/2 inch (12.7 mm) hole for a Toggle Bolt.

### 3b. Install the Anchors for Wood –

Use the extra screw provided to directly fasten strip into wall.



**4. Hang the first strip –** Take a toggle bolt and remove the expanding nut. Insert the bolt through the top mounting hole of either the base or neck strip. With the wings of the nut oriented to fold toward the head of the bolt, thread the expanding nut onto the bolt so the tip of the bolt starts to protrude from the end of the nut. Hold the strip so the toggle bolt aligns with the top hole and gently push the expanding nut through the wall. Ensure that the wings have fully expanded on the back side of the wall and gently tighten the bolt, verifying that the necks remain level. Secure the rest of the strip in place through the bottom two mounting holes with the provided screws and fully tighten the toggle bolt.

**5. Hang the second strip –** Repeat steps 2 through 4 with the second strip, centering it horizontally with the second mark on your wall from Step 1 and ensuring that the tops of the strips are even with each other.

**6. Install mounting hole caps** in the 1/2 in holes on the face of the rack by pressing into place.

**7. Add wine** - only the good stuff

**Note:** VintageView W Series racks are designed to stack, one on top of the other. Remove the endcaps from the racking and use the supplied couplers to align the two racks when stacking.

