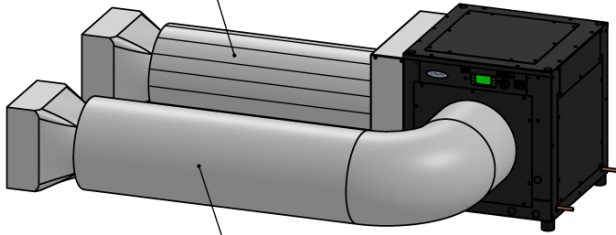
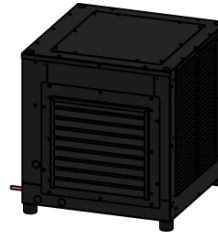


# AH3500-4500SX AS DUCTED

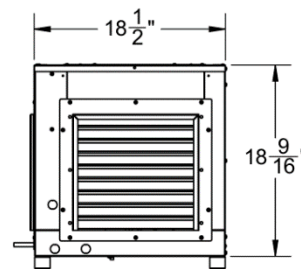
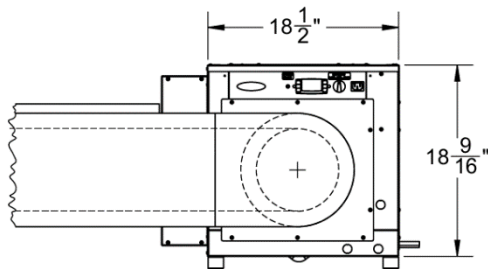
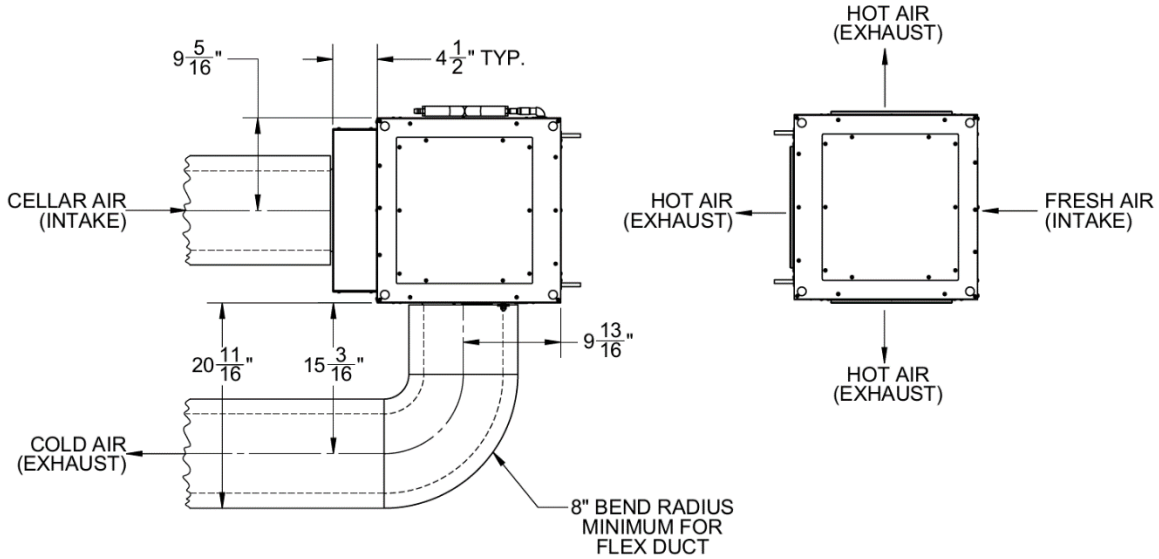
CELLAR AIR INTAKE



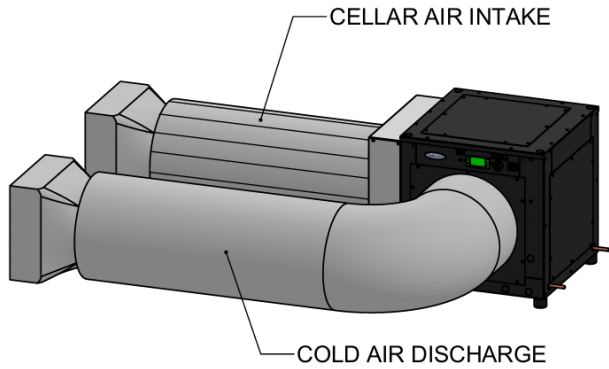
COLD AIR DISCHARGE



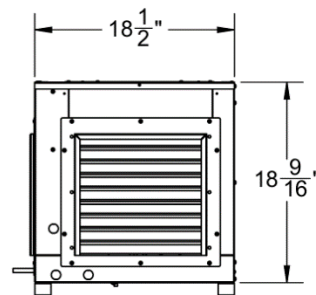
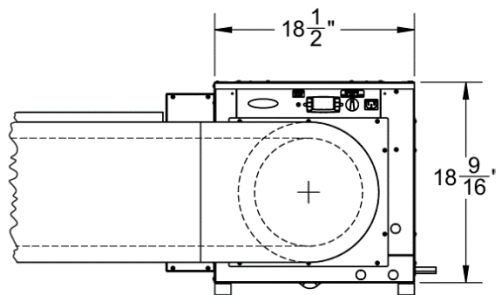
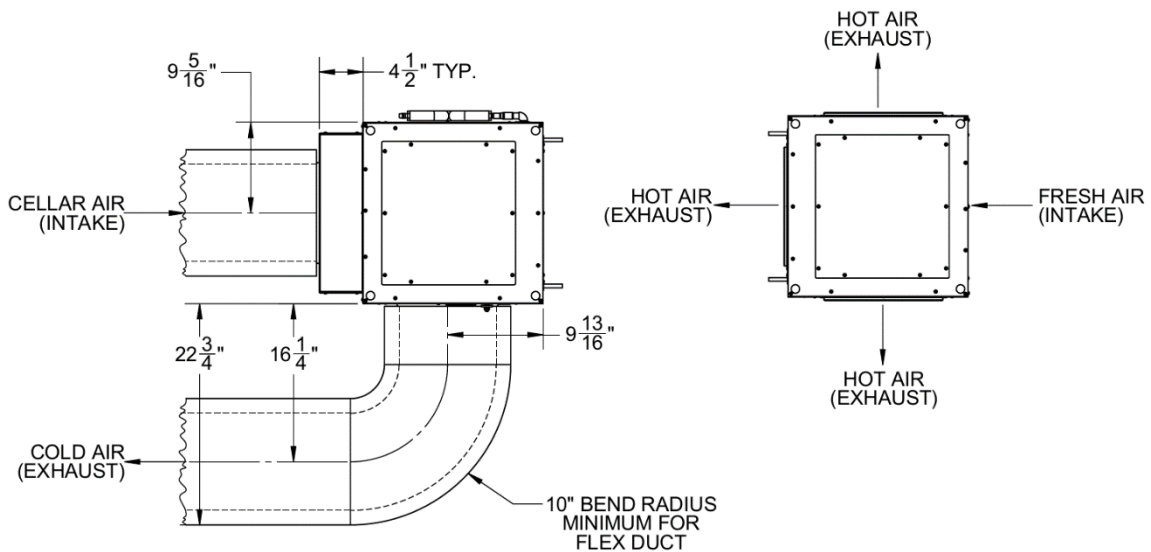
FRONT OF UNIT



# AH6500-8500SX AS DUCTED

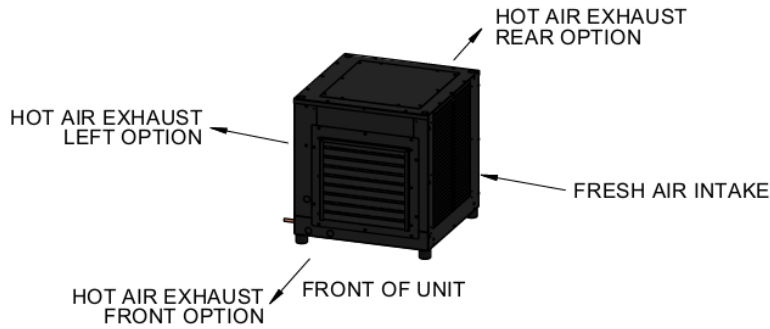


FRONT OF UNIT



## AH3500-8500SX DUCTING OPTIONS

### HOT SIDE

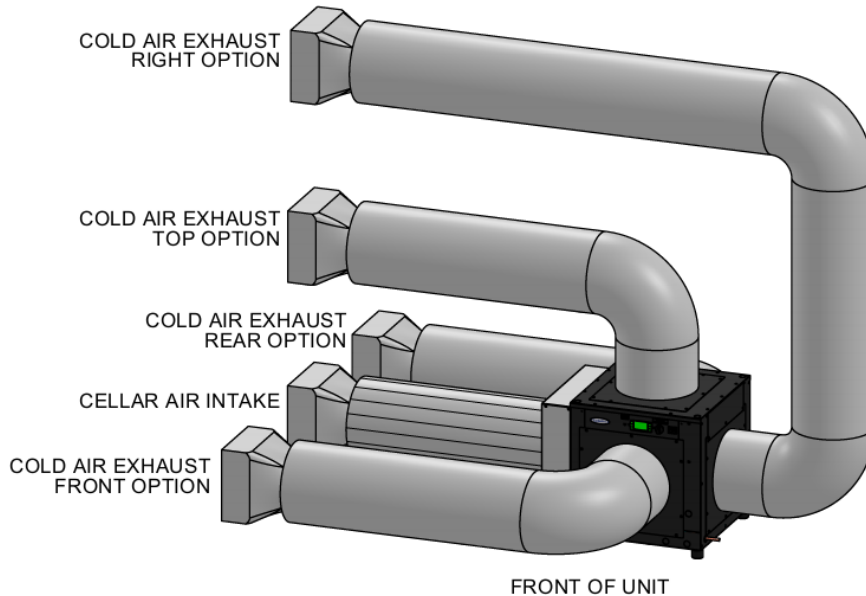


AIR INTAKE IS LOCATED ON THE RIGHT SIDE.

DUCTING AVAILABLE ONLY FOR INDOOR MODELS; OUTDOOR MODELS USE LOUVER PANELS INSTEAD.

AIR EXHAUST IS DISCHARGED FROM THREE LOCATIONS: FRONT, REAR, OR LEFT.

### COLD SIDE



AIR INTAKE MUST BE DUCTED IF THE EVAPORATOR IS OUTSIDE THE CELLAR. AIR INTAKE IS LOCATED ON THE LEFT SIDE OF THE EVAPORATOR.

AIR EXHAUST ALSO MUST BE DUCTED IF THE COOLING UNIT IS OUTSIDE THE CELLAR, AND CAN BE DISCHARGED FROM A CHOICE OF FOUR LOCATIONS: FRONT, TOP, REAR, OR RIGHT. SELECT ONE (1) OR TWO (2) LOCATIONS FOR DUCTING.

COLD SIDE DUCTING MUST BE INSULATED WITH R-VALUE 6 OR BETTER.