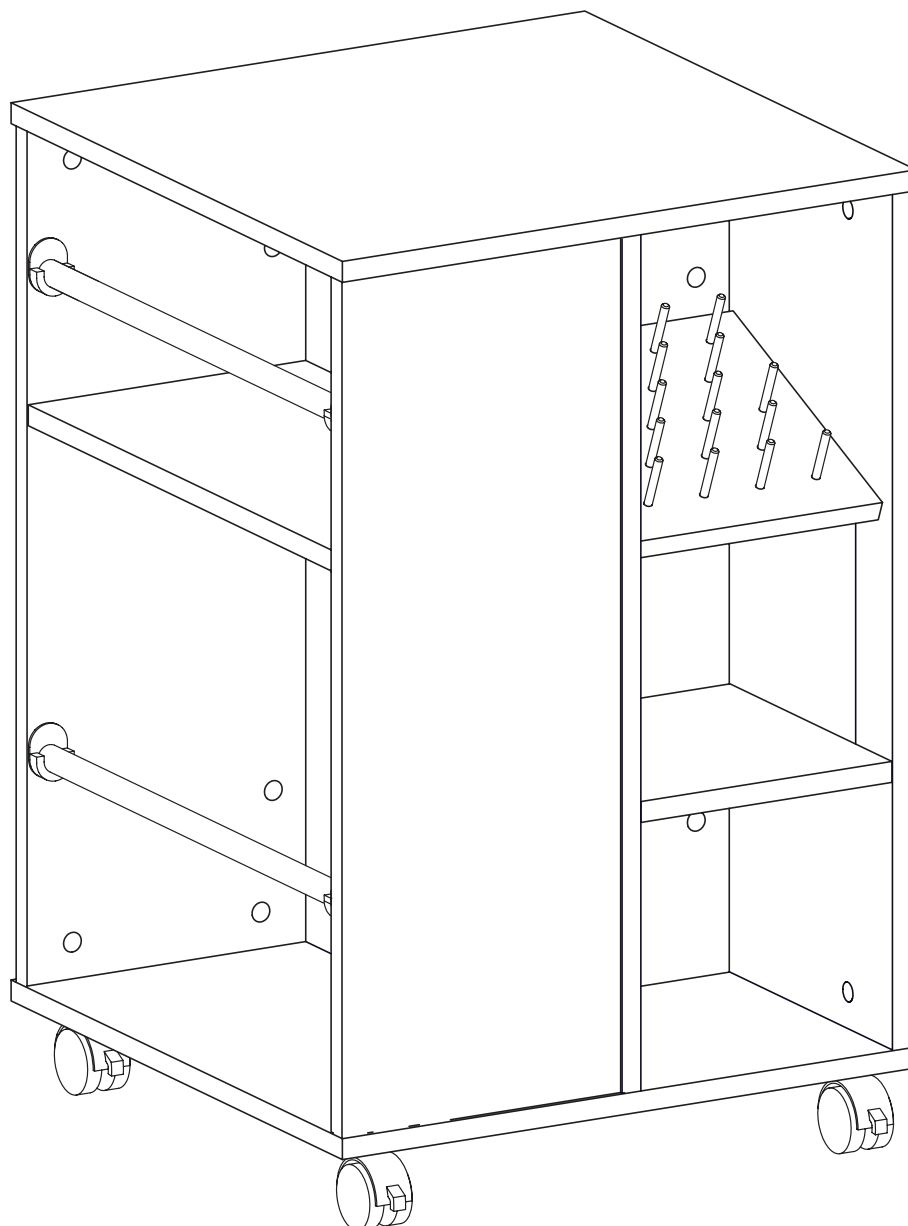


ASSEMBLY INSTRUCTIONS
Storage Cube

ITEM NO.: 81100 White



General Assembly Guidelines

1. Read the instructions carefully before beginning the assembly process to ensure proper assembly of this product. Please open and inspect the contents of box(es) to see that all parts and hardware are included.

2. Tools Required



Phillips Screwdriver +

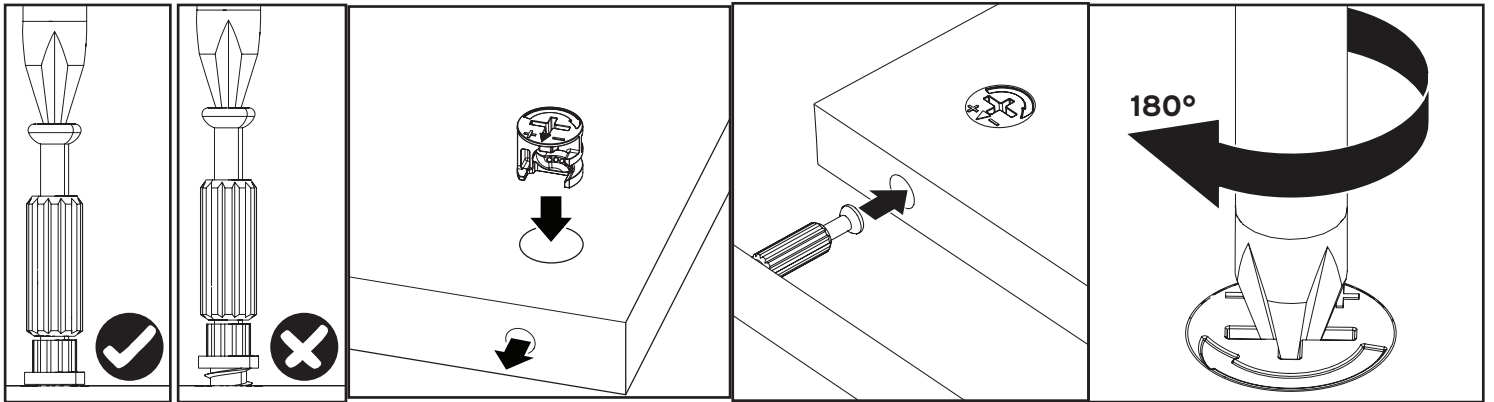


Hammer



Electric Screwdriver +
Torque set to 3-5

3. Understanding How the Cam Fastener Works



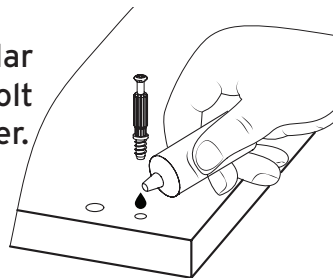
Screw cam bolts flush as illustrated.

Press cam into hole until flush with surface. The arrow direction must be in the direction of the hole.

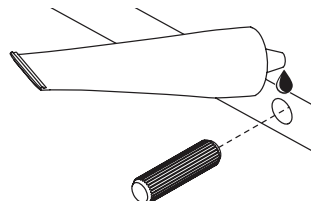
Insert bolt through pre-drilled hole in edge of panel.

Turn clockwise to lock cam with bolt.

Tip: place a small bit of WD-40 or similar lubricant into the pre-installed cam bolt holes to help the cam bolts screw in better.



4. **Glue** provided is to secure wood dowels in place and is optional. If glue is used during assembly, locate the appropriate hole for the dowel, place a small amount of glue in the hole and insert the dowel. Wipe away excess glue immediately. It is not necessary to glue the other end of the dowel when attaching to other parts.

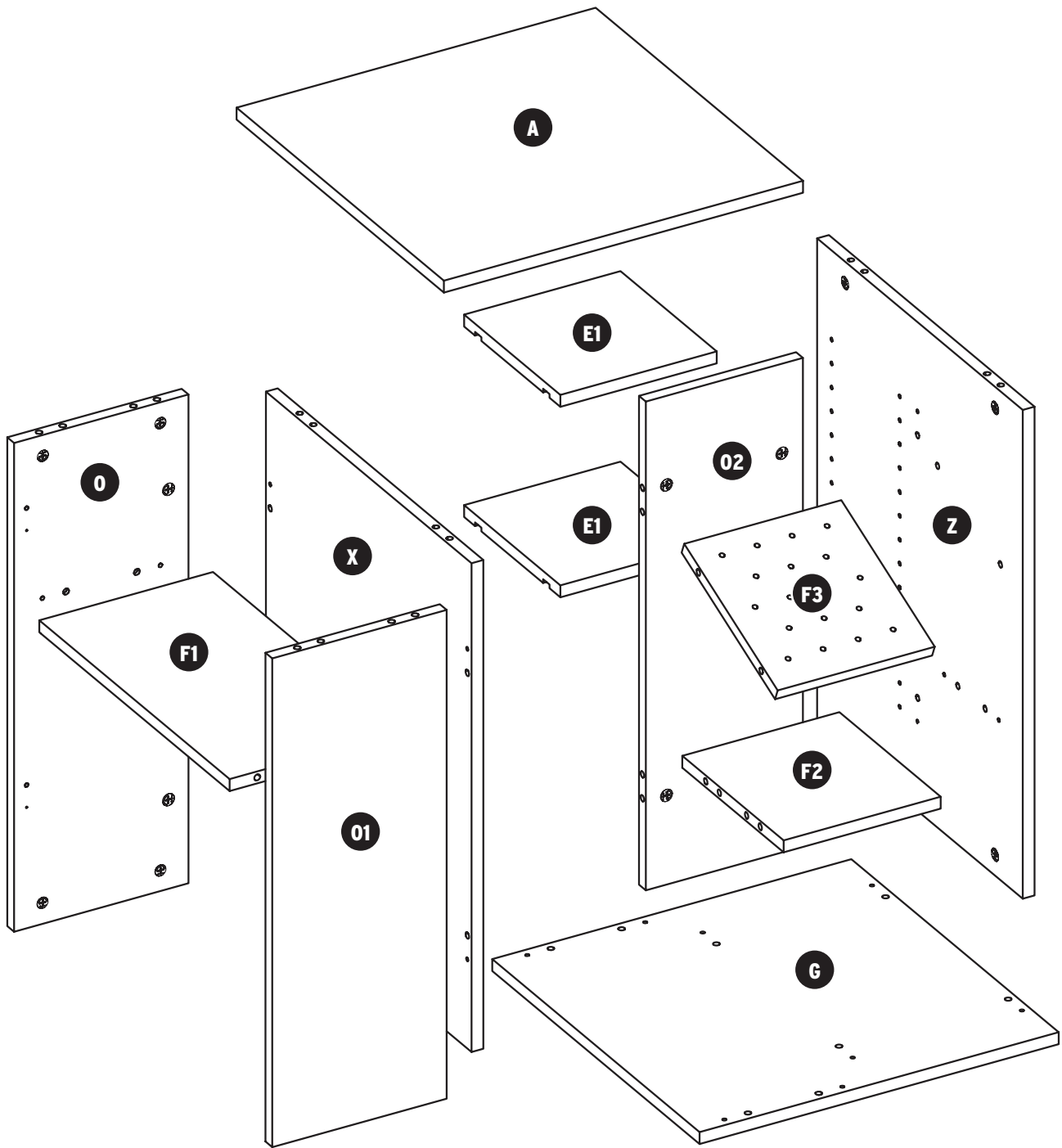


Use and Care

Your cabinet normally requires a minimum amount of maintenance; however, it is worth noting the following for regular cleaning:

To remove marks and enhance the surface, wipe with a gentle all-purpose cleanser. **DO NOT** use ammonia-based, harsh chemicals or abrasive cleaning agents. Wipe dry immediately.

Parts List: Panels



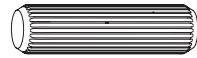
ITEM	DESCRIPTION	QTY.	PACK.	ITEM	DESCRIPTION	QTY.	PACK.
A	Top Panel	1	1 of 1	02	Center Panel	1	1 of 1
G	Bottom Panel	1	1 of 1	F1	Wide Shelf Panel	1	1 of 1
X	Center Panel	1	1 of 1	F2	Shelf Panel	1	1 of 1
Z	Outside Panel	1	1 of 1	F3	Spool Holder Panel	1	1 of 1
O	Side Panel	1	1 of 1	E1	Shelf Panels	2	1 of 1
O1	Side Panel	1	1 of 1				

Parts List: Hardware

TIP: Keep all the parts in their individually labeled bags. This will make finding parts easier as you assemble your cabinet.



c1 6x35 Cam Bolt **x32**



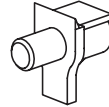
d1 8x30 Dowel Pin **x36**



c2 5/8" Cam Cover **x32**



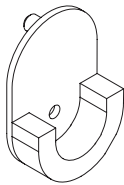
s1 4x16 Screw **x16**



p1 Peg **x8**



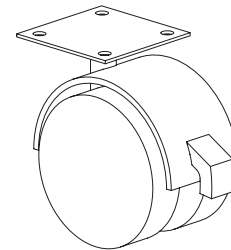
s2 3.5x12 Screw **x4**



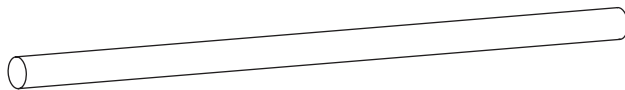
p Plastic Support **x4**



d2 6x50 Dowel Pin **x60**



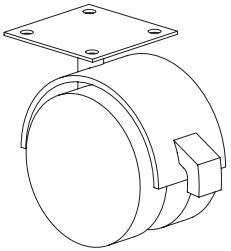
t1 Caster **x4**



Metal Bar **x2**

Part 1: Main Cabinet

Congratulations and welcome to Arrow Sewing Furniture! We can't wait to get your brand new Storage Cube up and running. Please contact our Customer Service Team at 1-800-533-7347 ext. 1 during normal business hours with any assembly related questions.



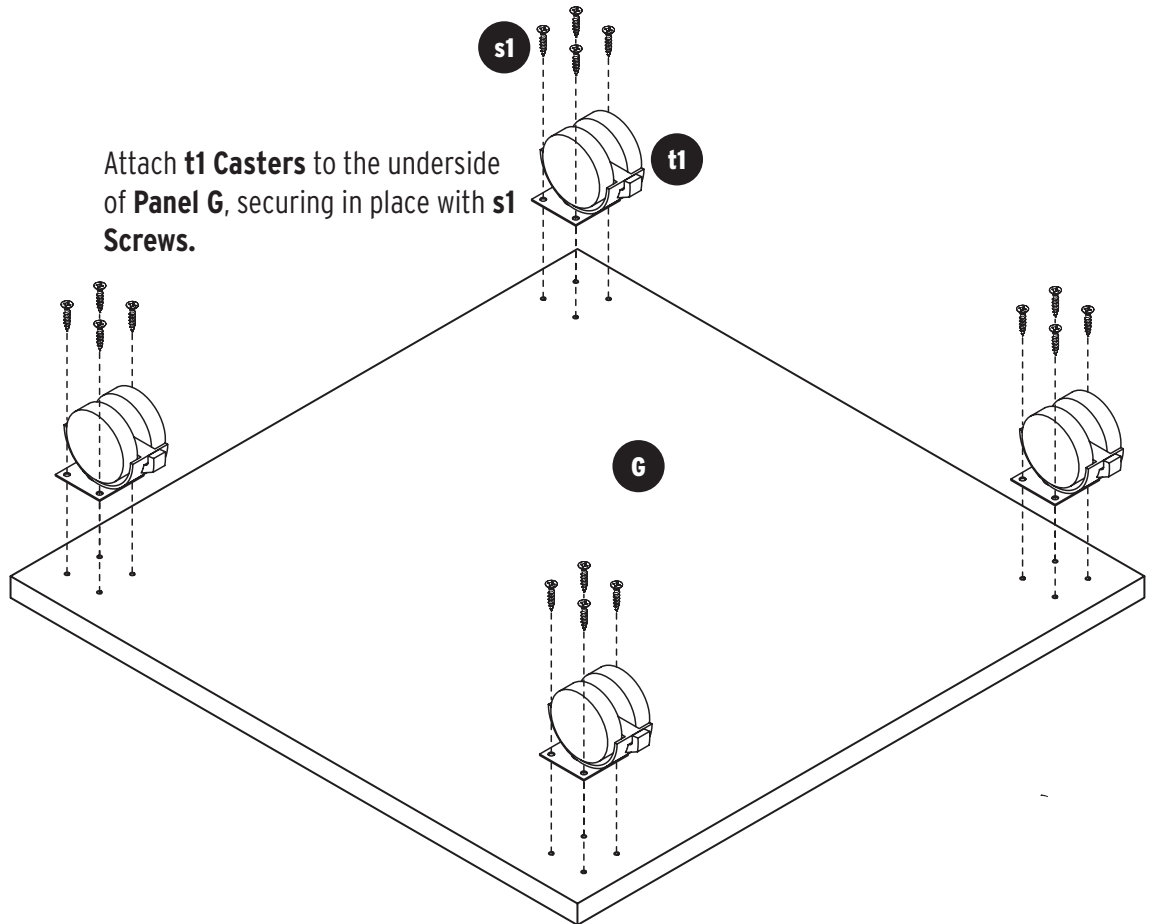
t1 Caster **x4**



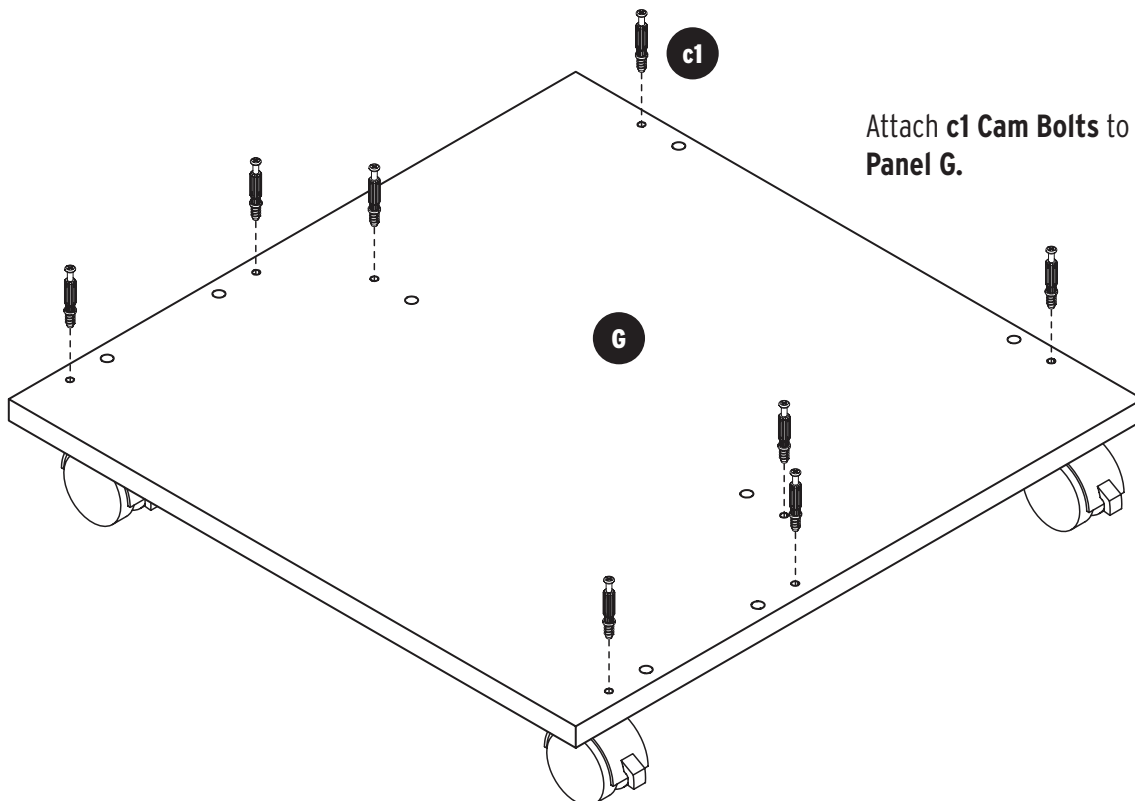
s1 4x16 Screw **x16**



c1 6x35 Cam Bolt **x8**

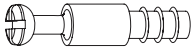


Attach **t1** Casters to the underside of **Panel G**, securing in place with **s1** Screws.



Attach **c1** Cam Bolts to the top side of **Panel G**.

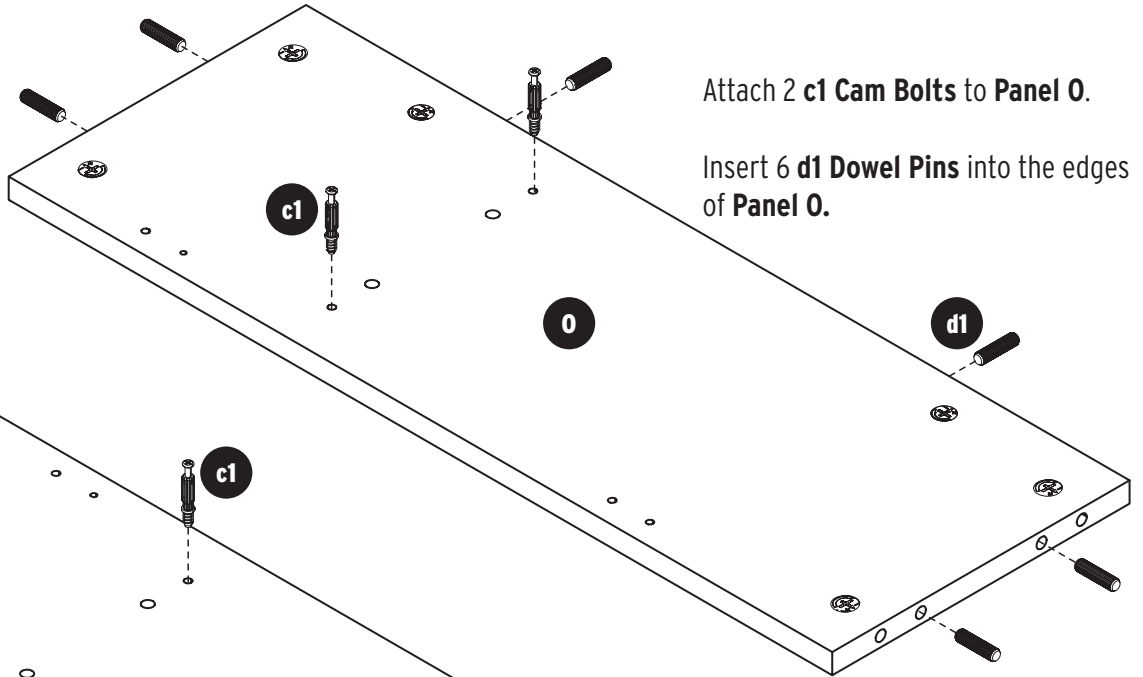
Part 1: Main Cabinet



c1 6x35 Cam Bolt **x4**

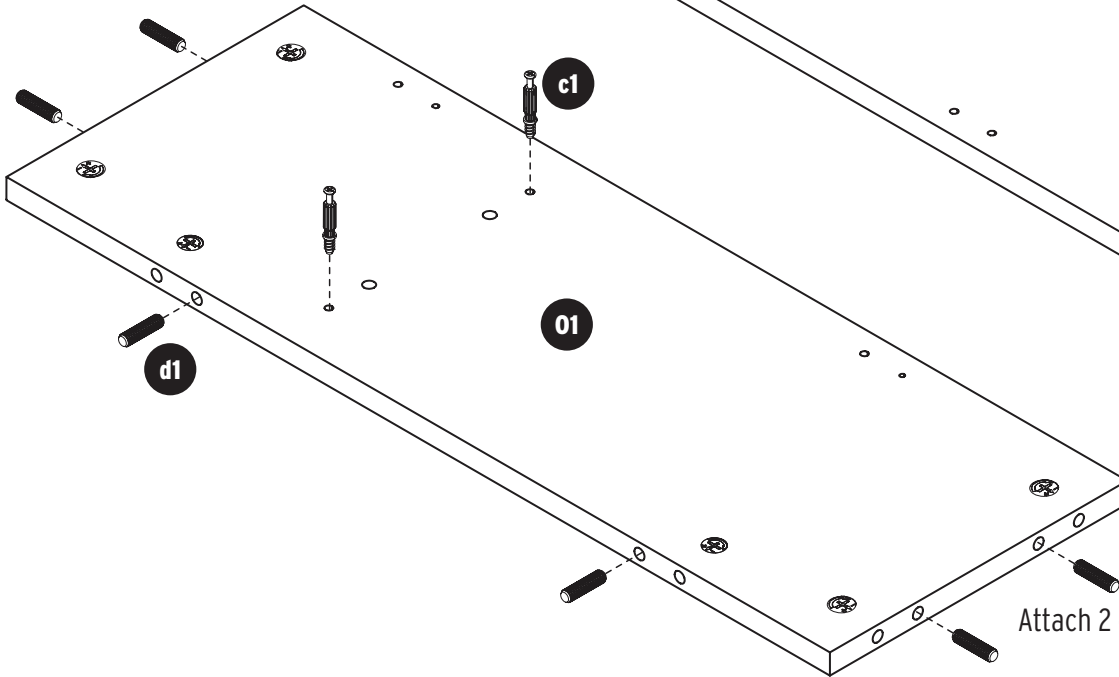


d1 8x30 Dowel Pin **x16**



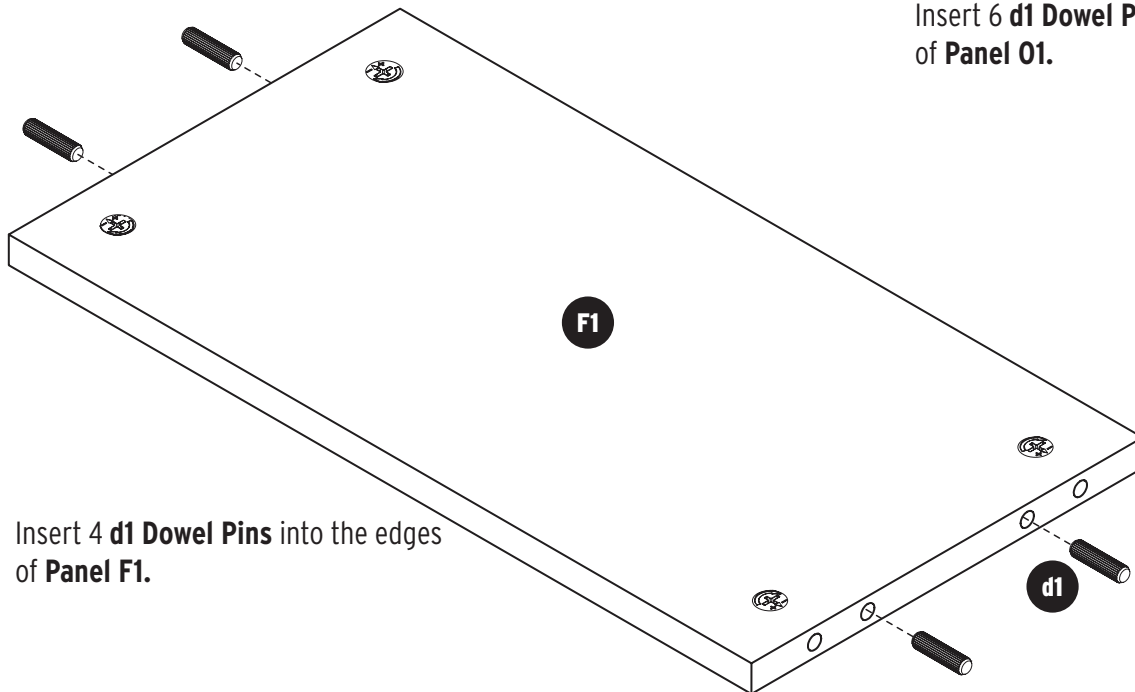
Attach 2 **c1** Cam Bolts to **Panel 0**.

Insert 6 **d1** Dowel Pins into the edges of **Panel 0**.



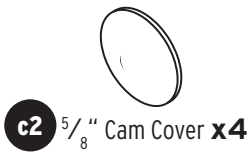
Attach 2 **c1** Cam Bolts to **Panel 01**.

Insert 6 **d1** Dowel Pins into the edges of **Panel 01**.



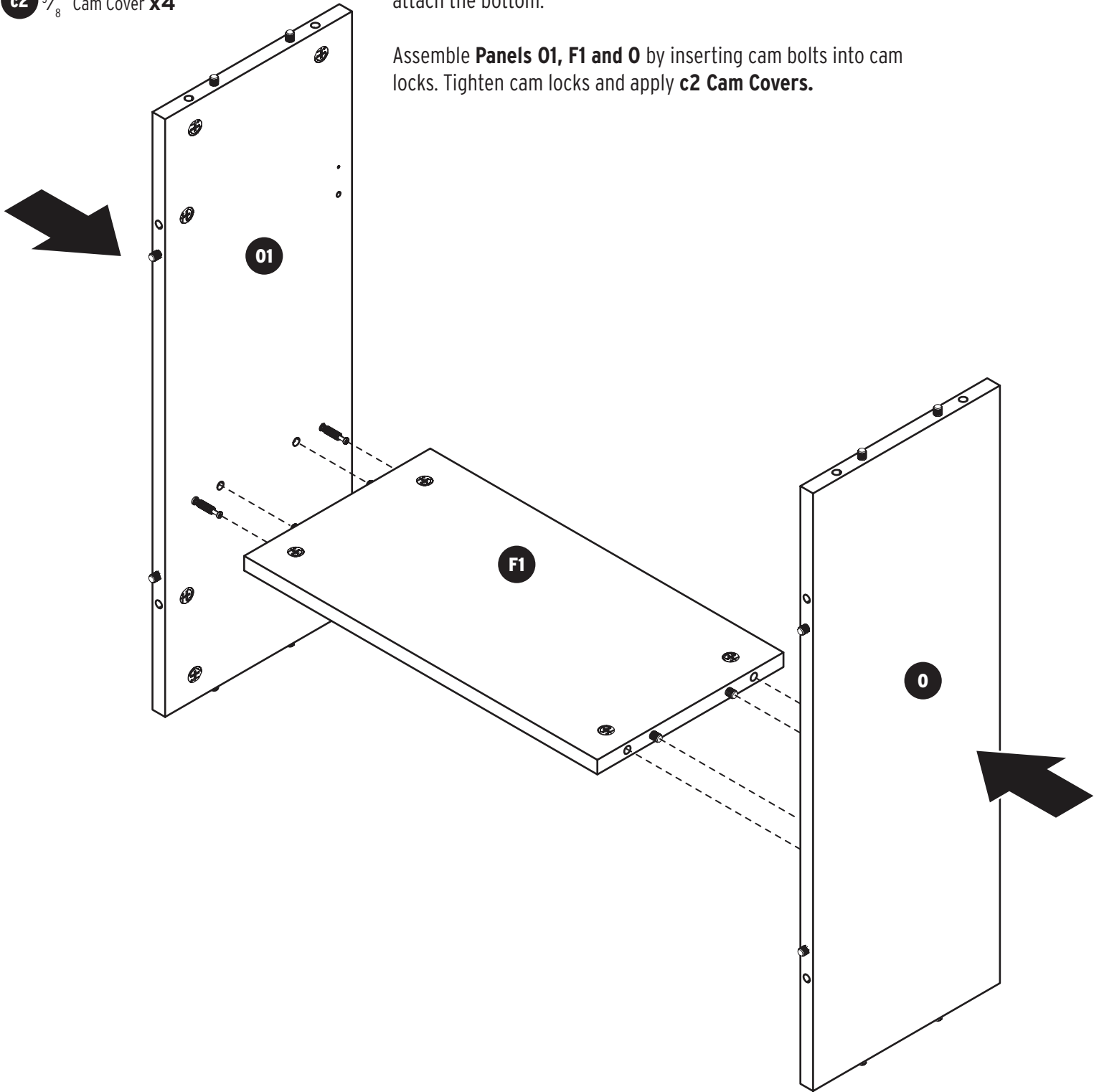
Insert 4 **d1** Dowel Pins into the edges of **Panel F1**.

Part 1: Main Cabinet

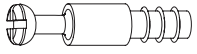


NOTE: These illustrations show upside down assembly of the cabinet. This is necessary to better reach cam locks and to attach the bottom.

Assemble **Panels 01, F1 and 0** by inserting cam bolts into cam locks. Tighten cam locks and apply **c2 Cam Covers**.



Part 1: Main Cabinet



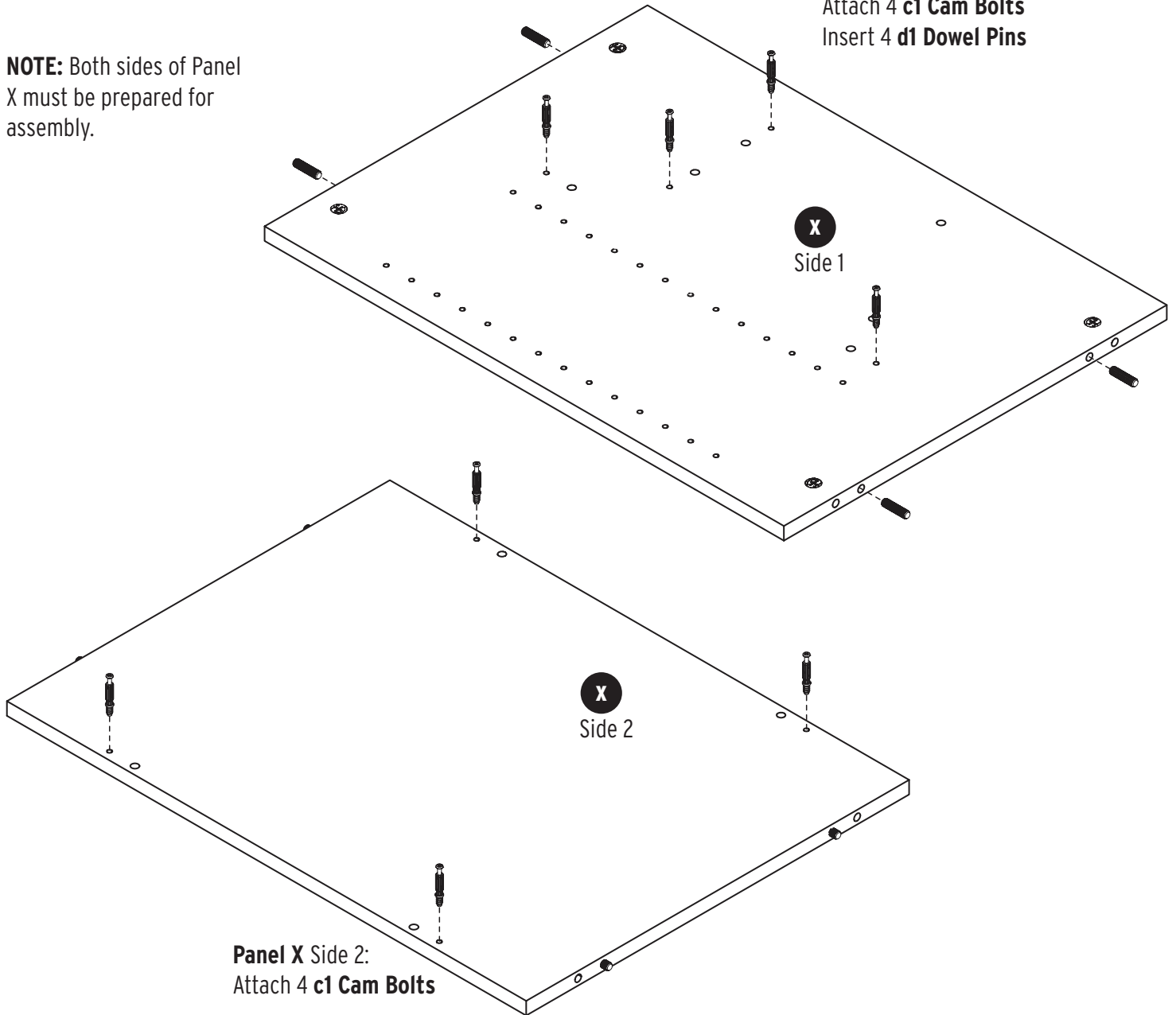
c1 6x35 Cam Bolt **x8**



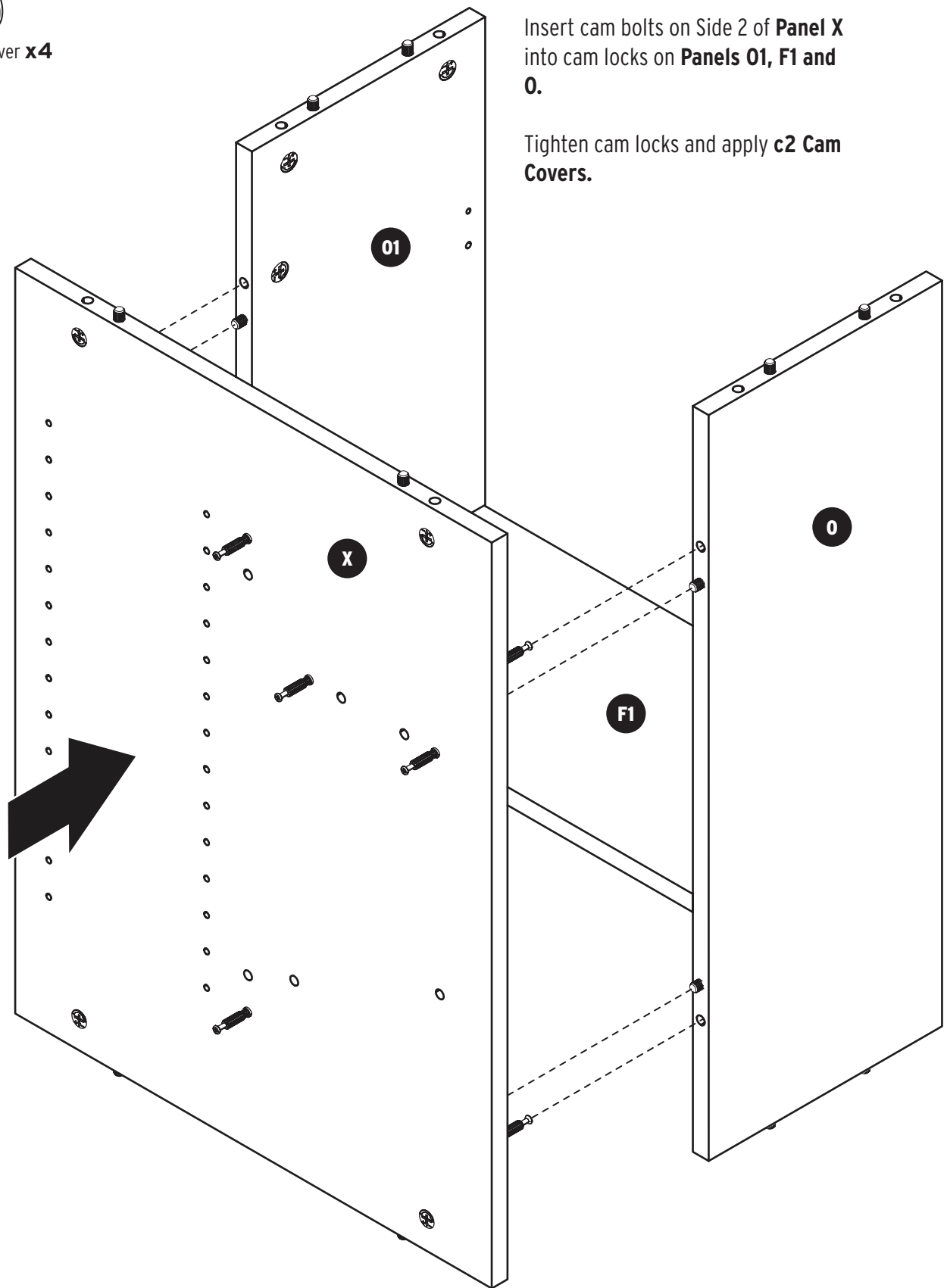
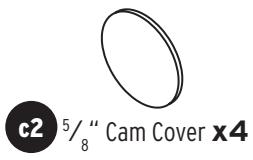
d1 8x30 Dowel Pin **x4**

NOTE: Both sides of Panel X must be prepared for assembly.

Panel X Side 1:
Attach 4 **c1** Cam Bolts
Insert 4 **d1** Dowel Pins



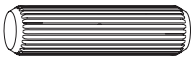
Part 1: Main Cabinet



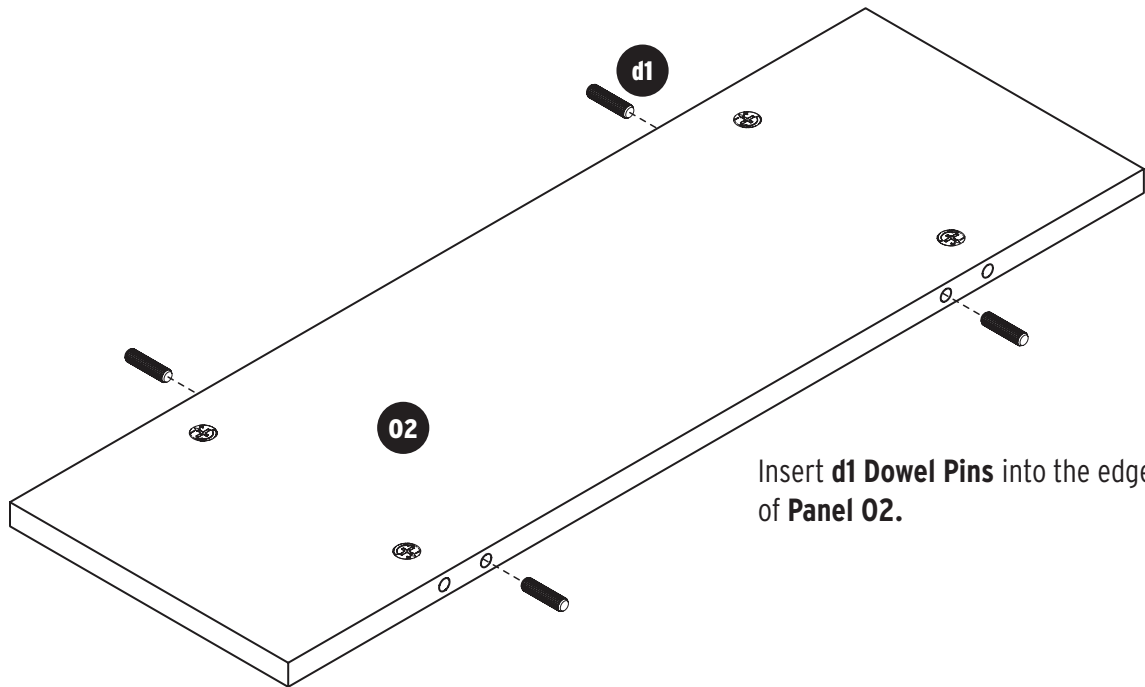
Insert cam bolts on Side 2 of **Panel X** into cam locks on **Panels 01, F1 and 0**.

Tighten cam locks and apply **c2 Cam Covers**.

Part 1: Main Cabinet

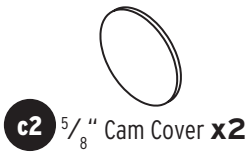


d1 8x30 Dowel Pin **x4**



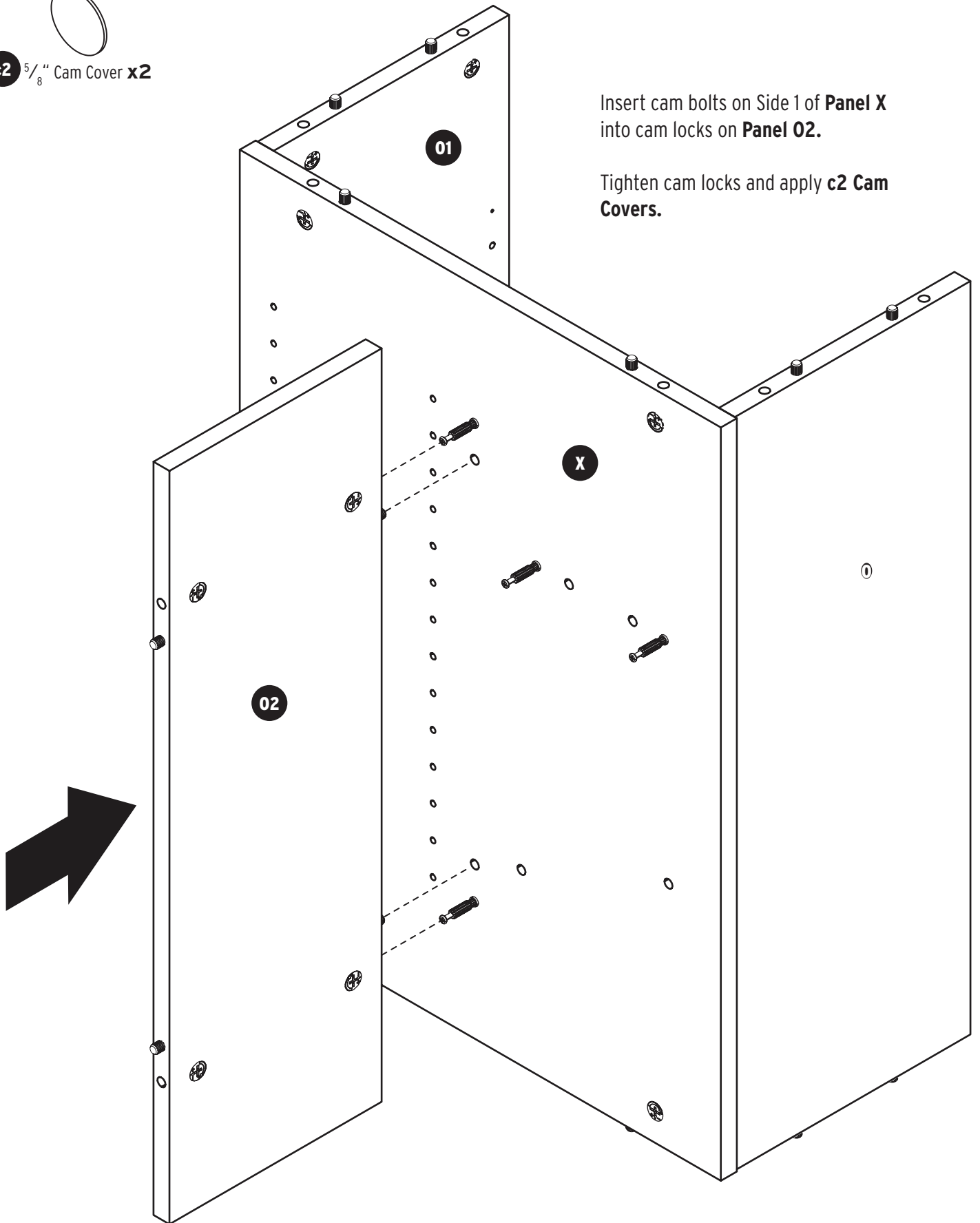
Insert **d1 Dowel Pins** into the edges of **Panel 02**.

Part 1: Main Cabinet

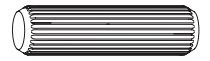


Insert cam bolts on Side 1 of **Panel X** into cam locks on **Panel 02**.

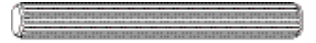
Tighten cam locks and apply **c2 Cam Covers**.



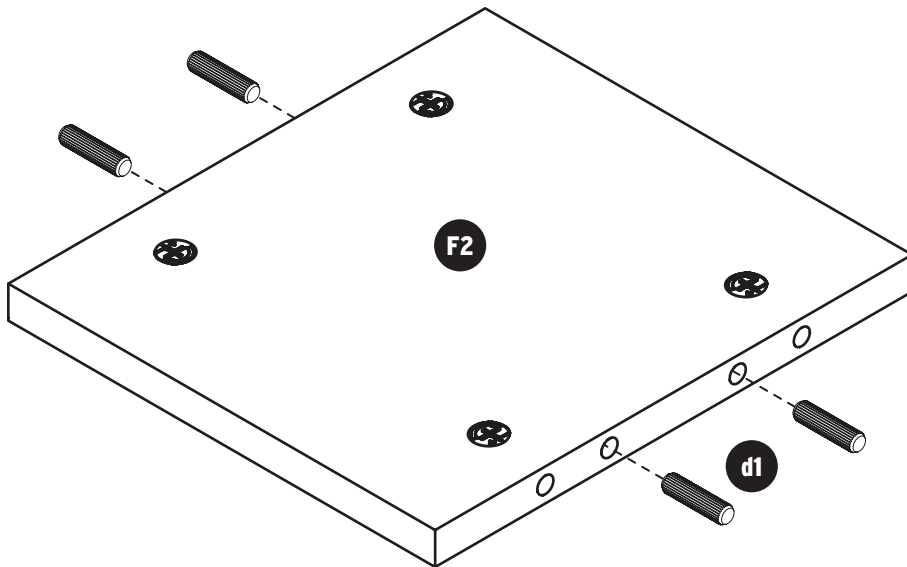
Part 1: Main Cabinet



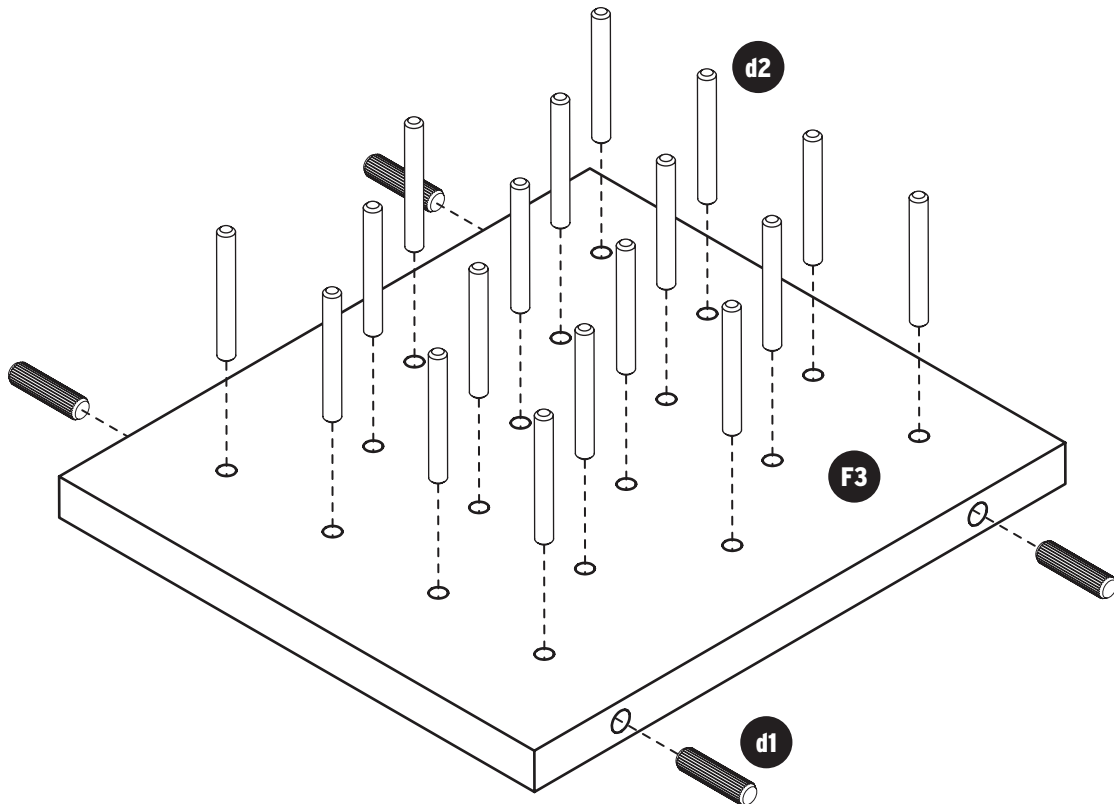
d1 8x30 Dowel Pin **x8**



d2 6x50 Dowel Pin **x18**



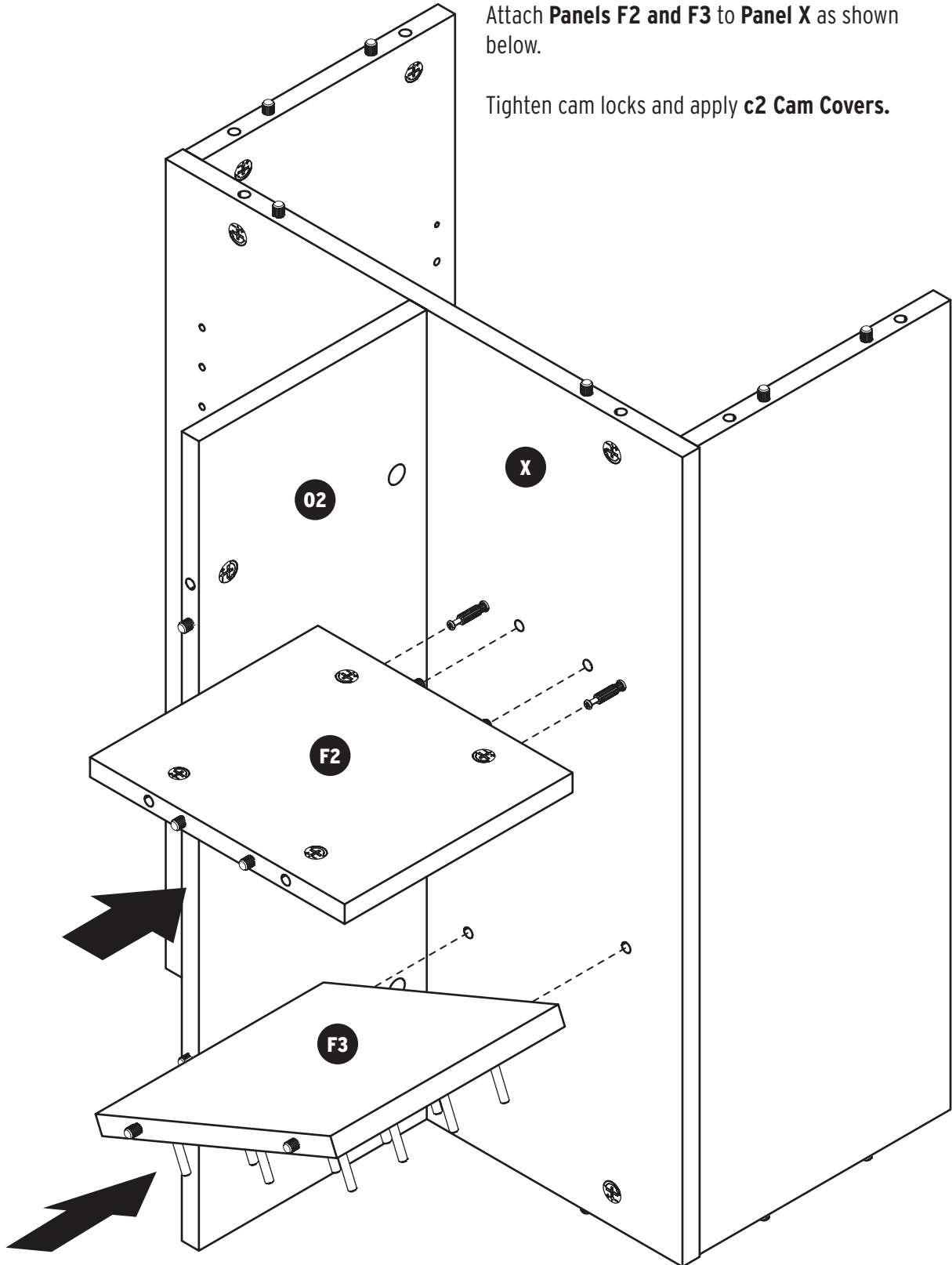
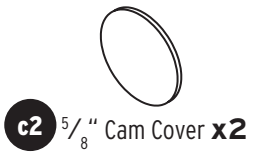
Insert **d1 Dowel Pins** into the edge of **Panel F2**.



Insert **d1 Dowel Pins** into the edges of **Panel F3**.
Insert **d2 Dowel Pins** into the predrilled holes on **Panel F3**.

TIP: Glue will hold dowels securely in place. If you wish to reconfigure dowel placement in the future, do not use glue.

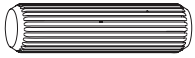
Part 1: Main Cabinet



Part 1: Main Cabinet



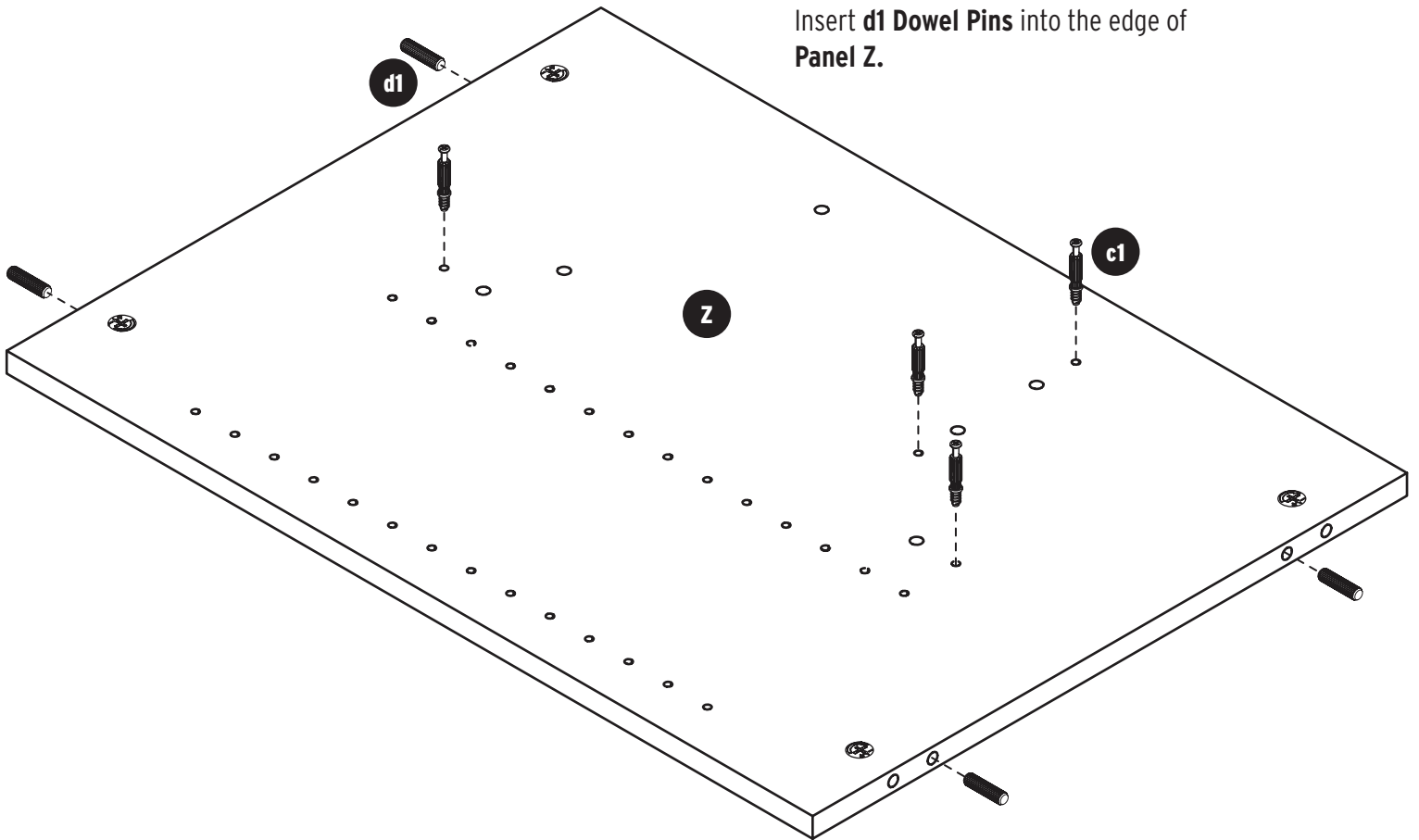
c1 6x35 Cam Bolt **x4**



d1 8x30 Dowel Pin **x4**

Attach **c1 Cam Bolts** to **Panel Z**.

Insert **d1 Dowel Pins** into the edge of **Panel Z**.



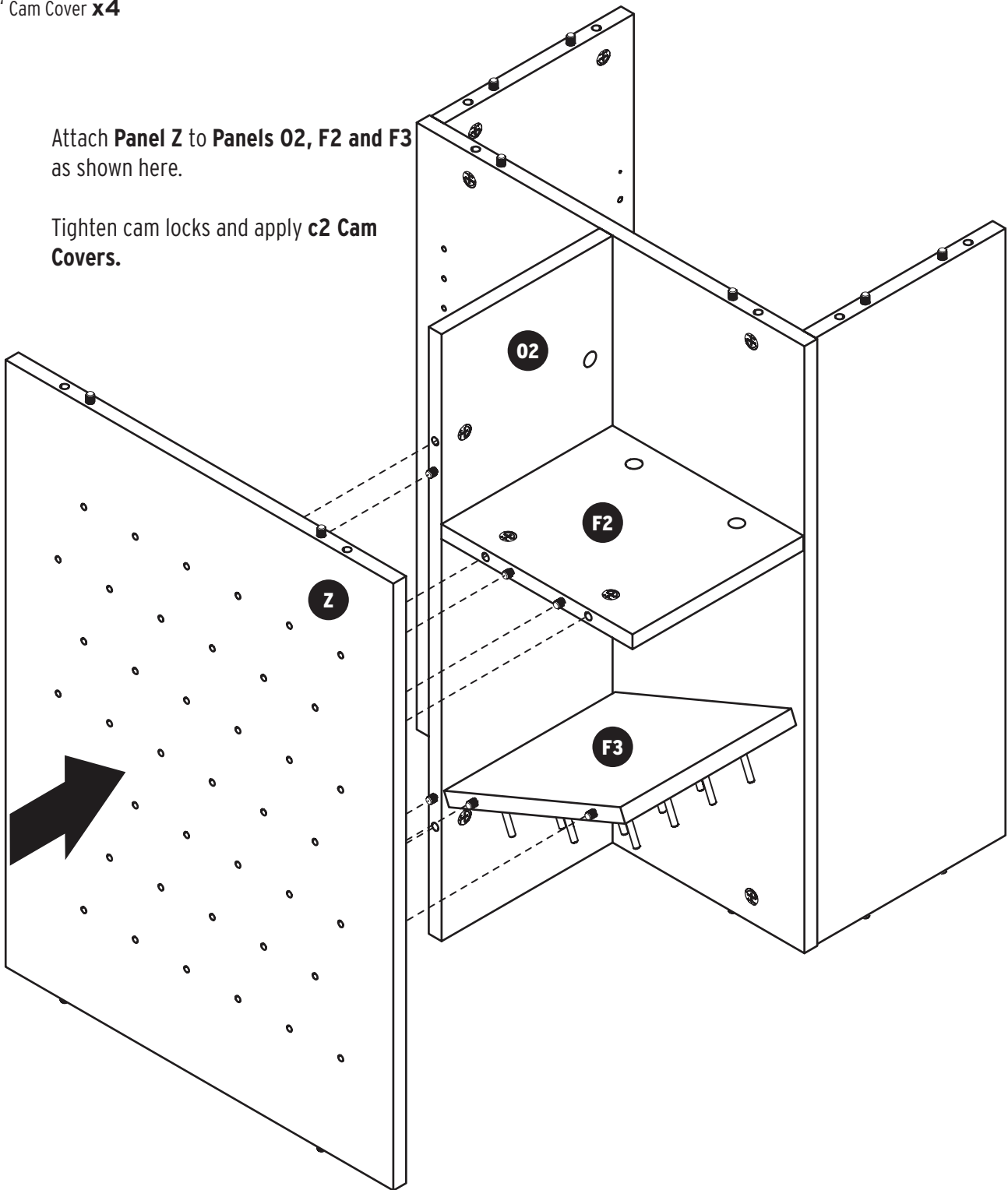
Part 1: Main Cabinet



c2 $\frac{5}{8}$ " Cam Cover **x4**

Attach **Panel Z** to **Panels 02, F2 and F3** as shown here.

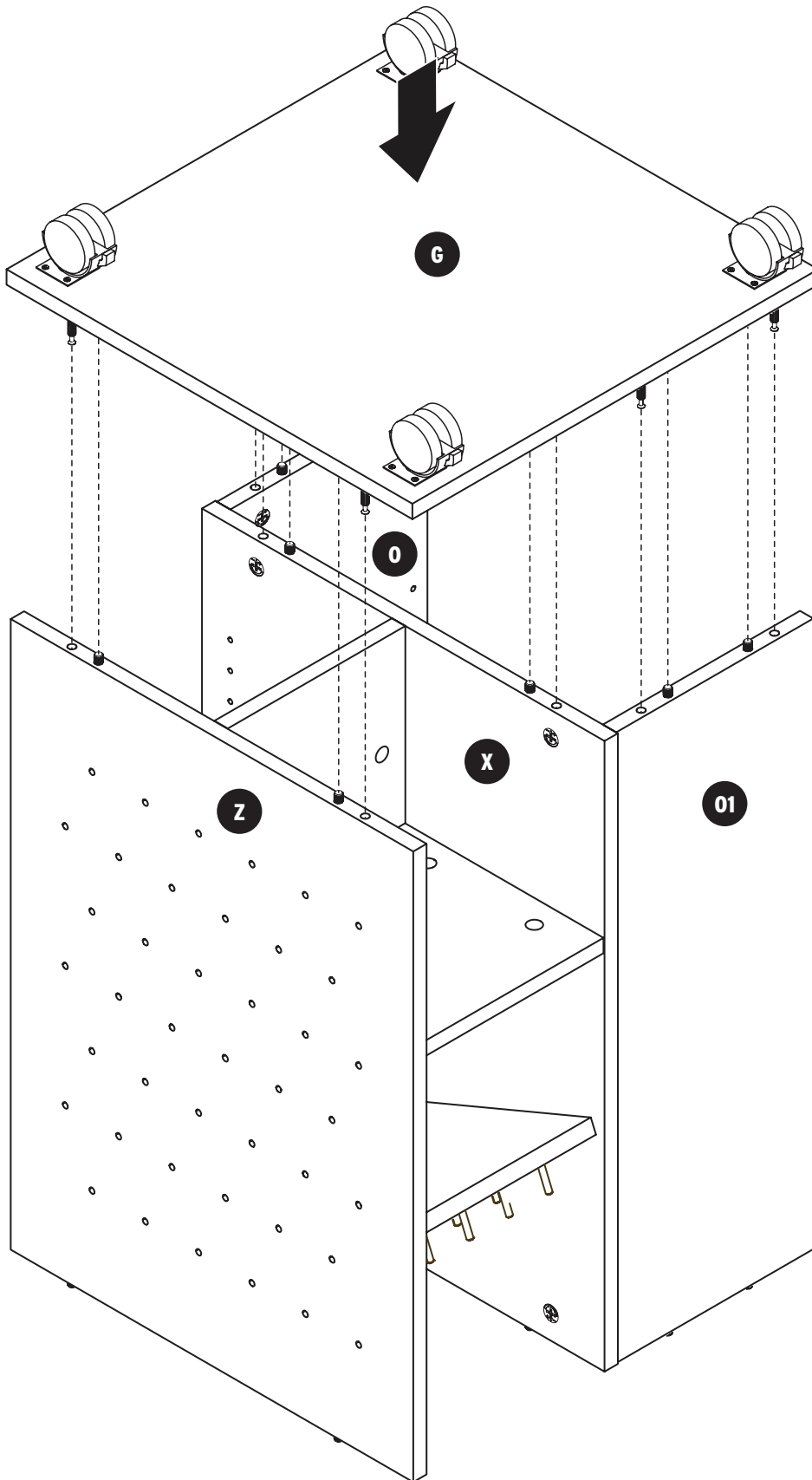
Tighten cam locks and apply **c2 Cam Covers**.



Part 1: Main Cabinet



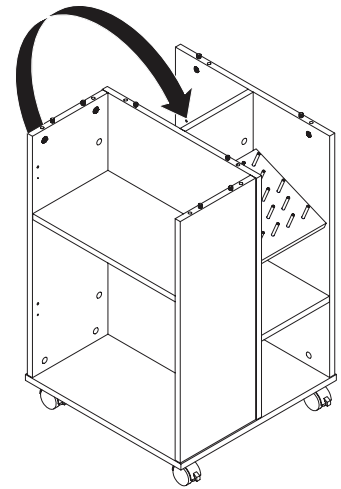
c2 $\frac{5}{8}$ " Cam Cover **x8**



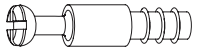
Attach **Panel G**, lowering on to **Panels Z, X, O and O1** as illustrated.

Tighten all cam locks and apply **c2 Cam Covers**.

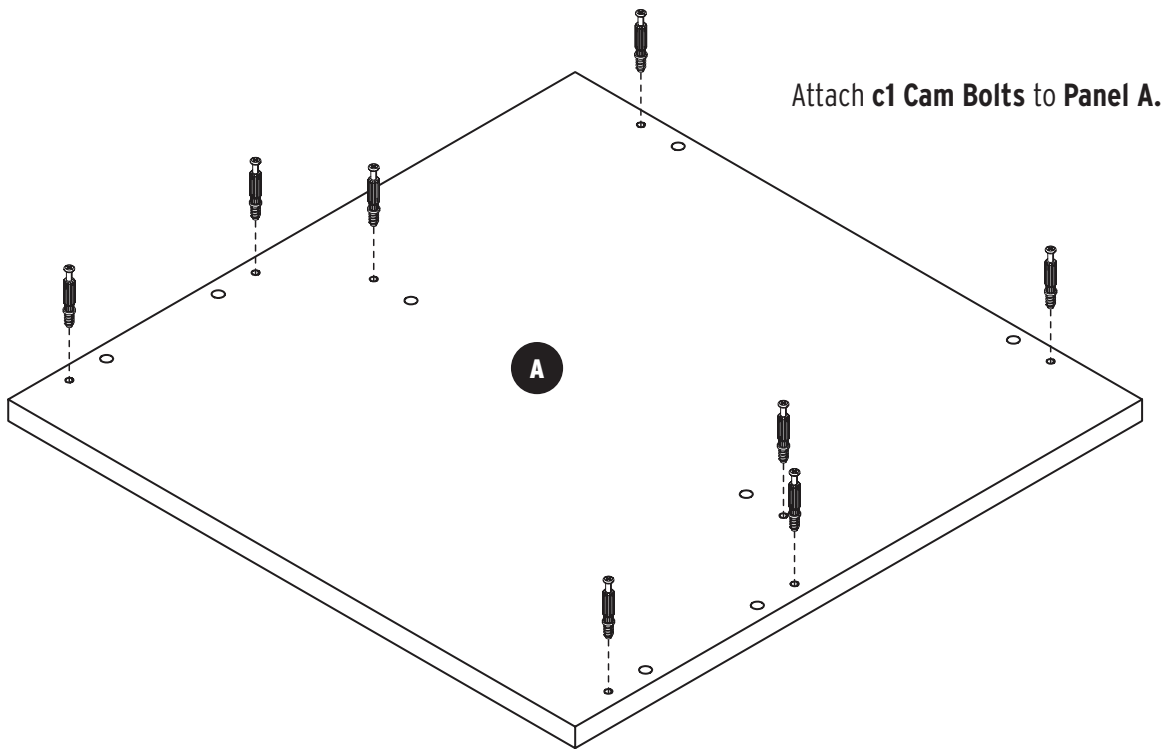
Turn the cabinet over onto its wheels.



Part 1: Main Cabinet

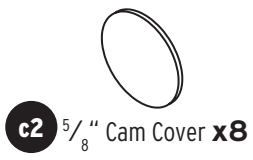


c1 6x35 Cam Bolt **x8**



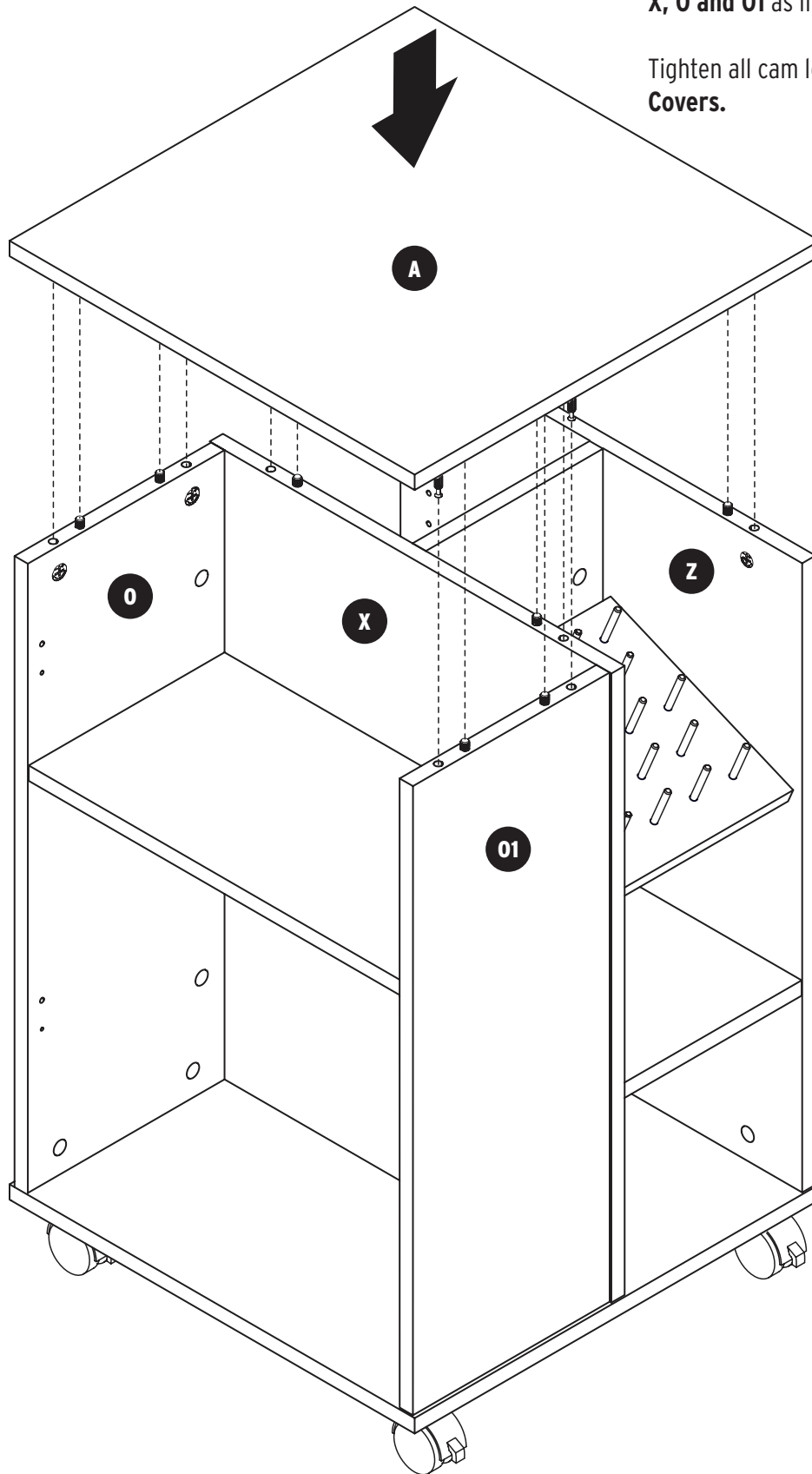
Attach **c1** Cam Bolts to **Panel A**.

Part 1: Main Cabinet

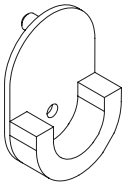


Attach **Panel A**, lowering on to **Panels Z, X, O and O1** as illustrated.

Tighten all cam locks and apply **c2 Cam Covers**.



Part 1: Main Cabinet

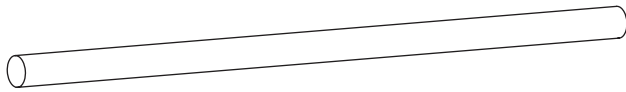
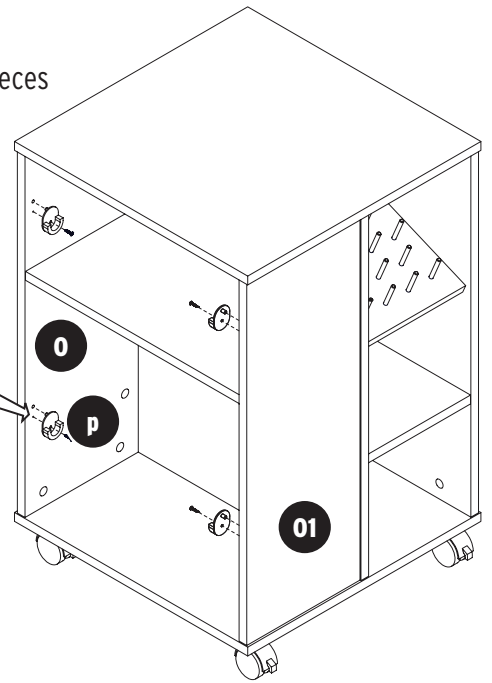
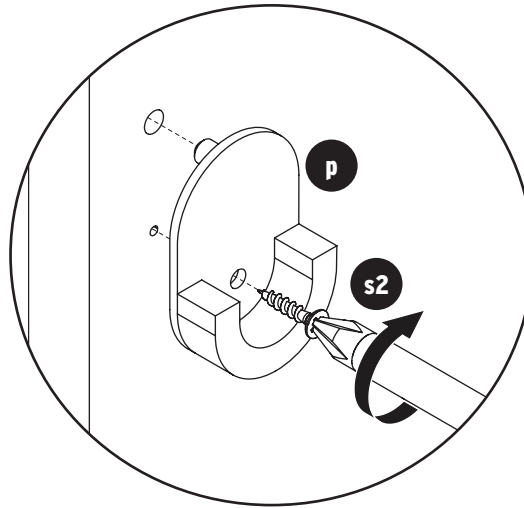


p Plastic Support **x4**

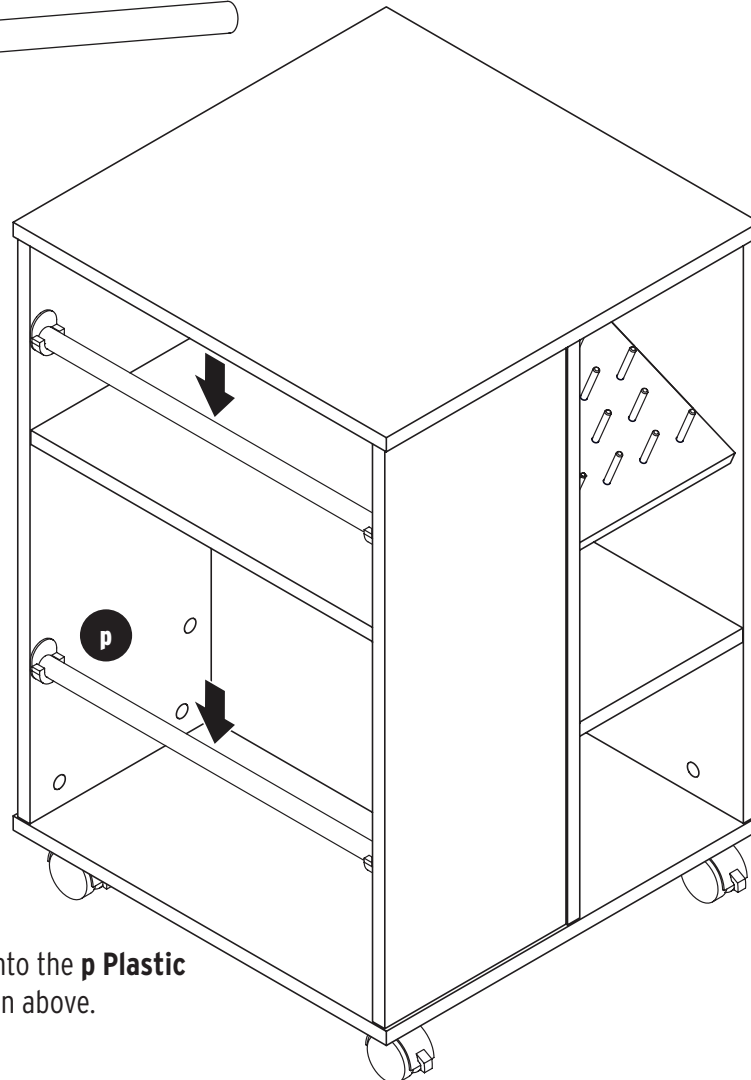


s2 3.5x12 Screw **x4**

Using **s2** Screws, attach **p** Plastic Support pieces to the inside edges of **Panel 0** and **01**.

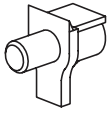


Metal Bar **x2**



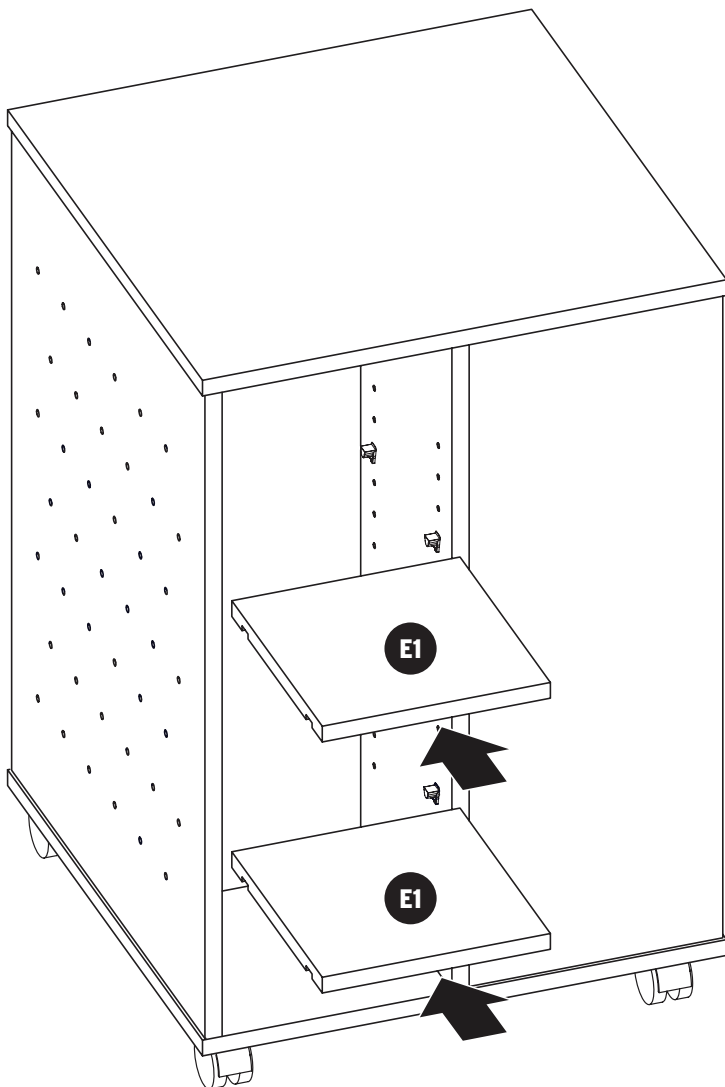
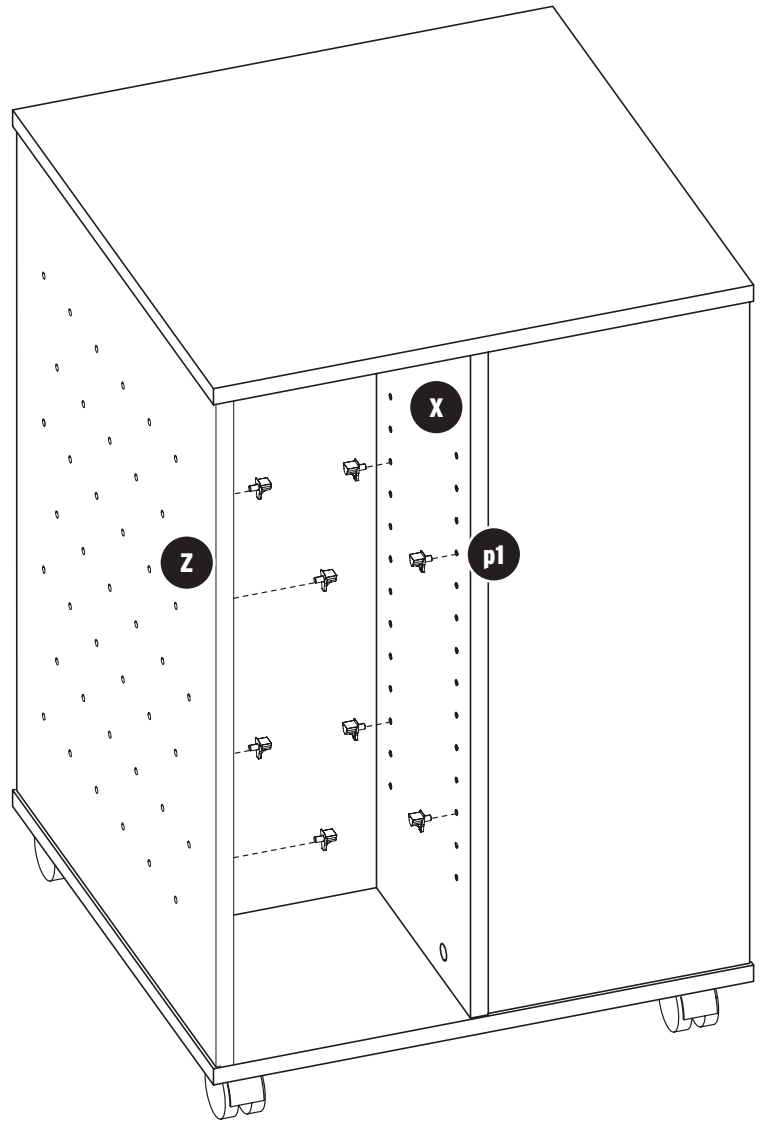
Nestle the **Metal Bars** into the **p** Plastic Support pieces as shown above.

Part 1: Main Cabinet



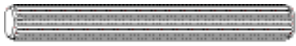
p1 Peg x8

Insert **p1 Pegs** into pre-drilled **Panels X and Z**, taking care to be sure the pegs are evenly spaced.

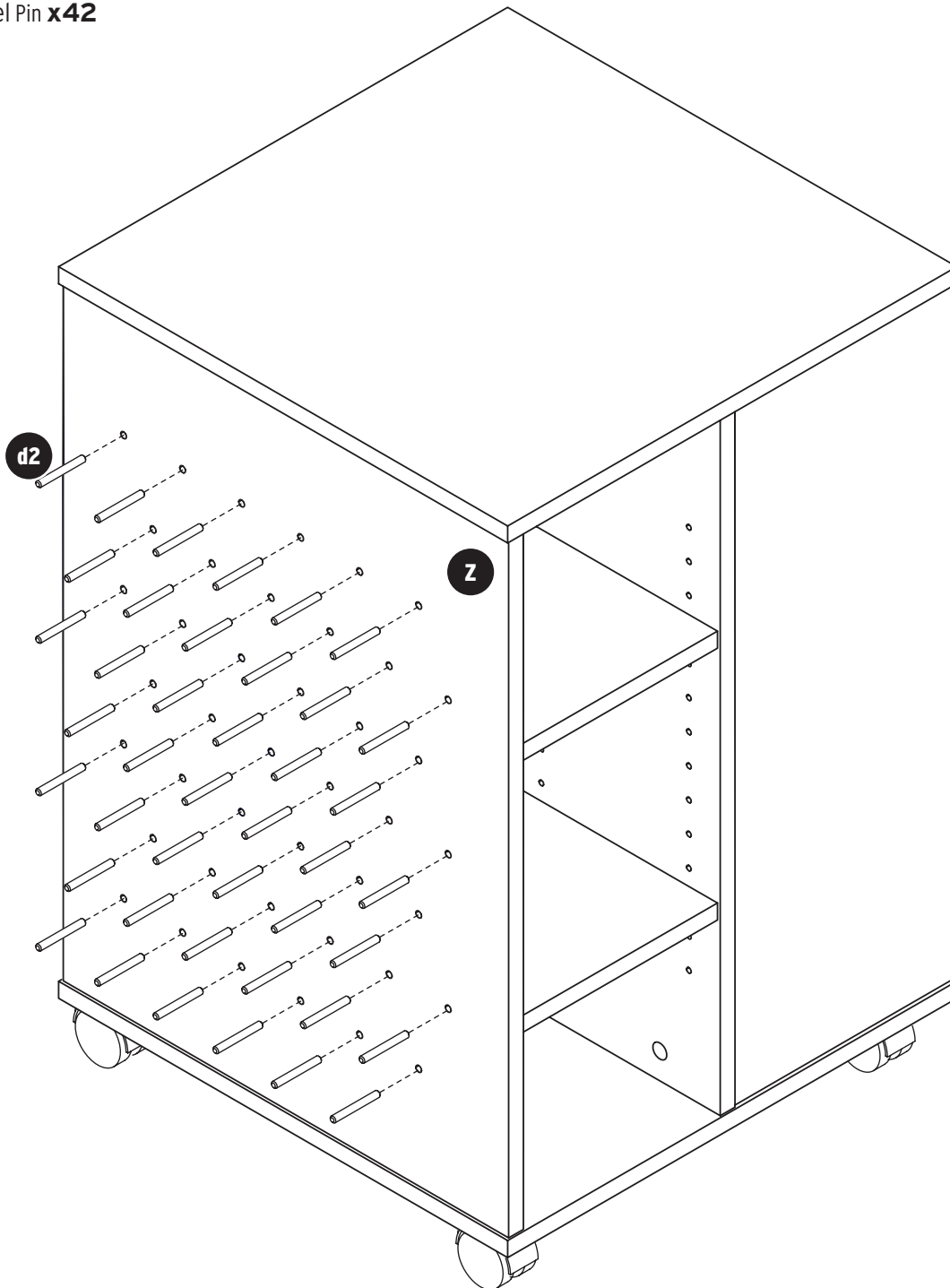


Slide **Panel E1** shelves into place as shown.

Part 1: Main Cabinet



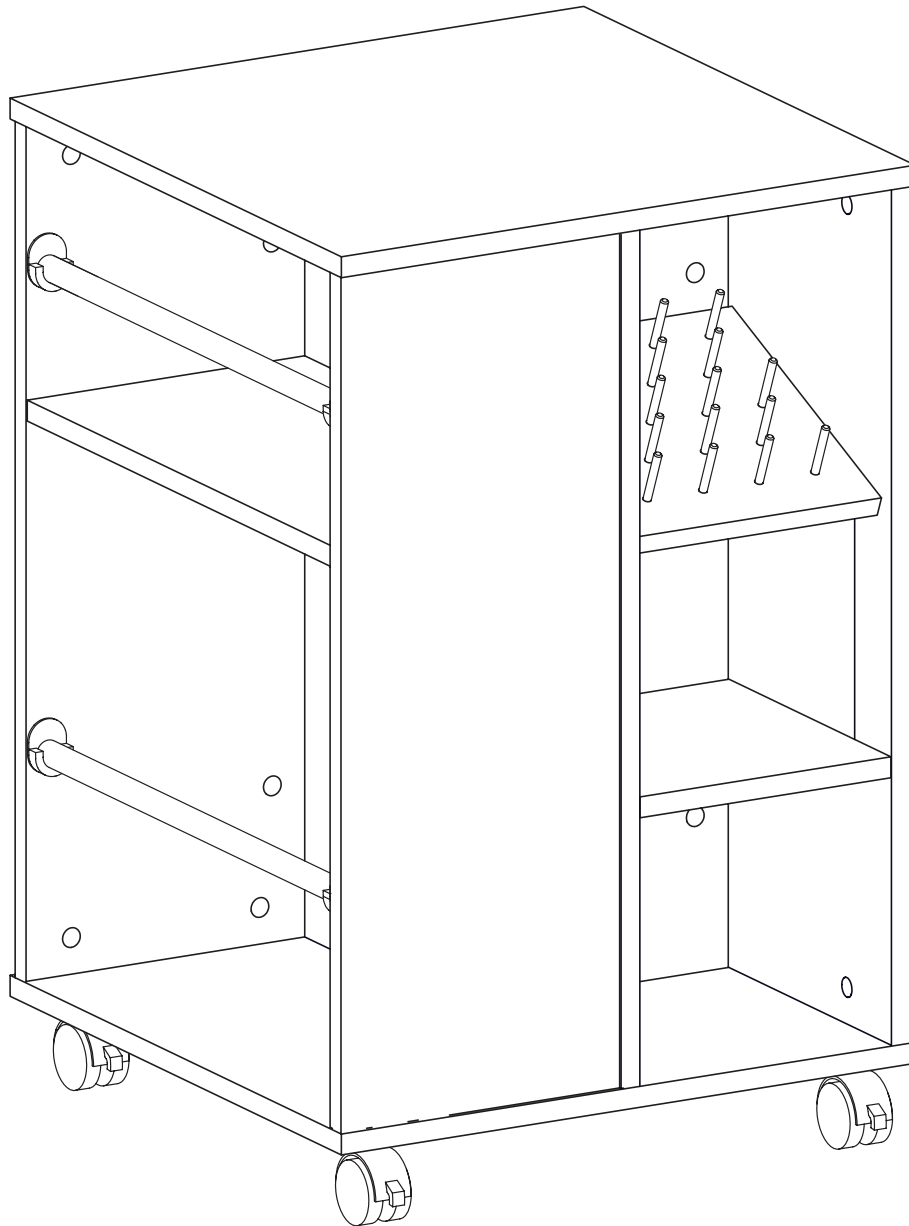
d2 6x50 Dowel Pin **x42**



Insert **d2 Dowel Pins** into the predrilled holes on **Panel Z**.

TIP: Glue will hold dowels securely in place. If you wish to reconfigure dowel placement in the future, do not use glue.

Completed Storage Cube



Congratulations! A better sewing experience awaits!



LIMITED WARRANTY

Arrow Classic Sewing Furniture 10-Year Warranty

WHAT THIS WARRANTY COVERS: Arrow Companies, LLC (Arrow) provides limited warranty coverage to the original purchaser of this product against defects in materials or workmanship of Arrow furniture components for a period of ten years from the date of purchase. As used in this Warranty, "defect" means imperfections in components which substantially impair the utility of the product. This Warranty gives you specific legal rights, and you may also have other rights which vary from state to state.

HOW TO GET SERVICE: Simply contact Arrow at 1-800-533-7347 or CS@ArrowSewing.com. When you request warranty service, you must also present proof of purchase documentation, which includes the date of purchase (detailed receipt), and photos of the product. Arrow will replace any defective part (at its sole option), excluding labor. Replacement parts will be warranted for only the remaining period of the original Warranty.

Replacement parts will be shipped freight prepaid on any initial warranty claim during first year of Warranty only. Warranty applies only to defects confirmed by Arrow Companies, LLC and will be replaced or repaired at Arrow's option. In the event parts are no longer available for a warranty claim, customer may receive brand new cabinet at a price equal to 60% off the MSRP of a current comparable model.

WHAT'S NOT COVERED: There is no Warranty coverage for defects or conditions that result from the following: Failure to follow product assembly instructions, information or warnings; misuse or abuse; intentional damage; fire, flood, alteration or modification of the product; use of the product in a manner inconsistent with its intended use; any condition resulting from incorrect or inadequate maintenance, cleaning, care or neglect; cuts or scratches; caster damage as a result of moving furniture fully loaded or with locked casters; damage resulting from electrical surge or lightning; or use in commercial or education environments. Arrow Sewing Furniture is designed for residential use only.

ARROW SHALL HAVE NO LIABILITY for ANY INCIDENTAL OR CONSEQUENTIAL DAMAGES OF ANY KIND and all such damages are EXCLUDED FROM THIS WARRANTY, such as loss of use, disassembly, transportation, labor or damage to property on or near the product. Some states do not allow the exclusion or limitation of incidental or consequential damages, so the above limitation or exclusion may not apply to you. The Warranty cannot be transferred to subsequent owners or users of the product, and it shall be immediately void in the event the product is resold, transferred, leased or rented to any third party or person other than the original purchaser.

ADDITIONAL LIMITATIONS: THERE ARE NO OTHER WARRANTIES APPLICABLE TO THIS PRODUCT. Under the laws of certain states, there may be no implied warranties from Arrow and all implied warranties, INCLUDING ANY IMPLIED WARRANTY OF MERCHANTABILITY OR FITNESS FOR A PARTICULAR PURPOSE are disclaimed where allowed by law. TO THE EXTENT ANY IMPLIED WARRANTIES ARE APPLICABLE, ANY IMPLIED WARRANTIES, INCLUDING ANY IMPLIED WARRANTY OF MERCHANTABILITY OR FITNESS FOR A PARTICULAR PURPOSE, ARE LIMITED IN DURATION TO THE DURATION OF THIS EXPRESS WARRANTY or the minimum period allowed by law, whichever is shorter. Some states do not allow limitations on how long an implied Warranty lasts, so the above limitation may not apply to you. This limited warranty gives you specific legal rights. This limited warranty does not, in any way, affect the rights given to you by law.

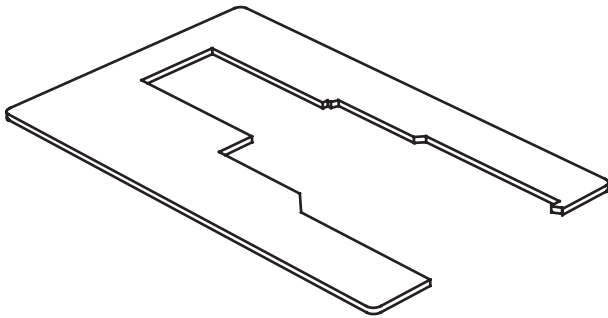
REGISTER YOUR PRODUCT: Original purchaser should register the purchase online at www.ArrowSewing.com/warranty.

COMPLETE YOUR SEWING STUDIO!

Elevate your sewing experience with Arrow's Best-Selling Accessories!

Custom Sewing Inserts

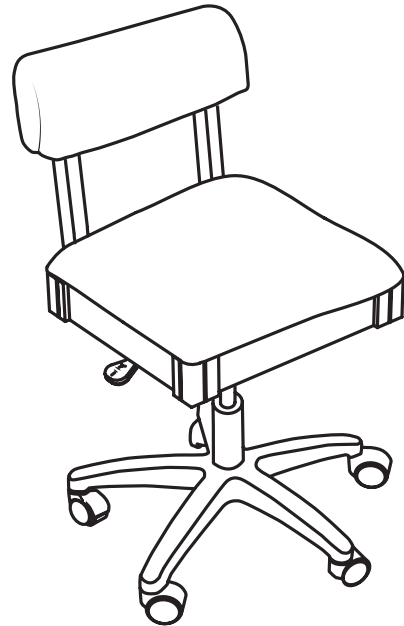
Enhance your sewing experience with a custom acrylic sewing insert! Custom acrylic sewing inserts are designed to fill the gap between your sewing machine and sewing cabinet's lift opening to create a flush, ergonomic surface for flat bed sewing. To ensure a perfect fit, custom acrylic sewing inserts are built specifically for your sewing machine and sewing cabinet combination. Say hello to happy wrists, straighter stitches, and an elevated sewing experience!



Custom Sewing Insert

Sewing Chairs

Arrow's #1 Rated Height Adjustable Sewing Chair is a must have accessory for your dream sewing room! Cute, comfortable and convenient - our lovable sewing chairs feature vibrant sewing themed patterns, 360° swivel access and lumbar support for long hours at your workstation. Don't look now, but under every seat cushion is a hidden storage compartment to store your notions and patterns! Available in 10 colors to perfectly match your sewing sanctuary!



Height Adjustable Sewing Chair