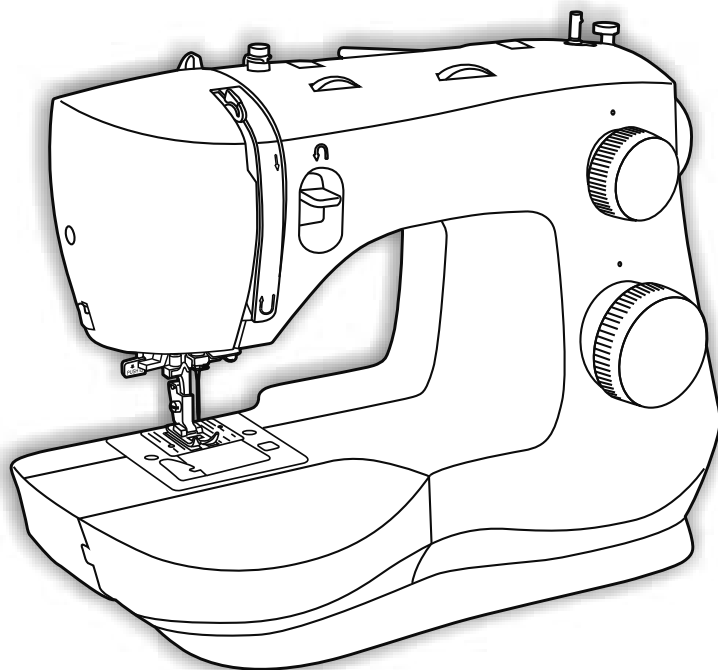




SINGER®



INSTRUCTION MANUAL

3342

SINGER is sewing made easy.™

INTRODUCTION

Welcome

Welcome to the **SINGER**[®] family and CONGRATULATIONS on purchasing a brand new **SINGER**[®] sewing machine!

The **SINGER**[®] brand has stood for quality in sewing for over 160 years. We design our machines for sewists of all skill levels so that the joy of sewing, creating, do-it-yourself, crafting and more can be enjoyed by all. It is important to us that you have the easiest and most successful sewing experience, so we have provided a wide array of helpful resources:

1. An instruction manual with easy-to-understand graphics and step-by-step instructions.
2. Assistance on the web at www.singerco.com
3. Personal assistance via email: talktous@singerco.com
4. Live, one-on-one help from one of our **SINGER**[®] Sewing Assistants, at 1-800-474-6437. (North America Only)

We're ready to help and hope that you enjoy your **SINGER**[®] sewing machine.

Happy Sewing!

This household sewing machine is designed to comply with IEC/EN 60335-2-28 and UL1594.

IMPORTANT SAFETY INSTRUCTIONS

When using an electrical appliance, basic safety precautions should always be followed, including the following:

Read all instructions before using this household sewing machine. Keep the instructions in a suitable place close to the machine. Make sure to hand them over if the machine is given to a third party.

DANGER - To reduce the risk of electric shock :

- A sewing machine should never be left unattended when plugged in. Always unplug this sewing machine from the electric outlet immediately after using and before cleaning, removing covers, lubricating or when making any other user servicing adjustments mentioned in the instruction manual.

WARNING - To reduce the risk of burns, fire, electric shock, or injury to person :

- Do not allow to be used as a toy. Close attention is necessary when this sewing machine is used by or near children.
- Use this sewing machine only for its intended use as described in this manual. Use only attachments recommended by the manufacturer as contained in this manual.
- Never operate this sewing machine if it has a damaged cord or plug, if it is not working properly, if it has been dropped or damaged, or dropped into water. Return the sewing machine to the nearest authorized dealer or service center for examination, repair, electrical or mechanical adjustment.
- Never operate the sewing machine with any air openings blocked. Keep ventilation openings of the sewing machine and foot control free from the accumulation of lint, dust, and loose cloth.
- Keep fingers away from all moving parts. Special care is required around the sewing machine needle.
- Always use the proper needle plate. The wrong plate can cause the needle to break.
- Do not use bent needles.
- Do not pull or push fabric while stitching. It may deflect the needle causing it to break.
- Wear safety glasses.
- Switch the sewing machine off ("O") when making any adjustment in the needle area, such as threading needle, changing needle, threading bobbin, or changing presser foot, etc.
- Never drop or insert any object into any opening.
- Do not use outdoors.
- Do not operate where aerosol (spray) products are being used or where

INTRODUCTION

Important Safety Instructions

oxygen is being administrated.

- To disconnect, turn all controls to the off (“O”) position, then remove plug from outlet.
- Do not unplug by pulling on cord. To unplug, grasp the plug, not the cord.
- The foot control is used to operate the machine. Avoid placing other objects on the foot control.
- Do not use the machine if it is wet.
- If the LED lamp is damaged or broken, it must be replaced by the manufacturer or its service agent or a similarly qualified person, in order to avoid a hazard.
- If the supply cord connected with the foot control is damaged, it must be replaced by the manufacturer or its service agent or a similarly qualified person, in order to avoid a hazard.
- This sewing machine is provided with double insulation. Use only identical replacement parts. See instructions for Servicing of Double-Insulated Appliances.

SAVE THESE INSTRUCTIONS

For Europe only :

This appliance can be used by children aged from 8 years and above and persons with reduced physical, sensory or mental capabilities or lack of experience and knowledge if they have been given supervision or instruction concerning use of the appliance in a safe way and understand the hazards involved. Children shall not play with the appliance. Cleaning and user maintenance shall not be made by children without supervision.

The noise level under normal operating conditions is less than 75dB(A).

The machine must only be used with foot control of type KD-1902, FC-1902 (110-120V area) / KD-2902, FC-2902A, FC-2902C, FC-2902D (220-240V area) manufactured by ZHEJIANG FOUNDER MOTOR CORPORATION LTD. (China) / 4C-316B (110-125V area) / 4C-316C (127V area) / 4C-326C (220V area) / 4C-326G (230V area) / 4C-336G (240V area) / 4C-336G (220-240V area) manufactured by Wakaho Electric Ind. Co. Ltd. (Vietnam)

For outside Europe :

This sewing machine is not intended for use by persons (including children) with reduced physical, sensory or mental capabilities, or lack of experience and knowledge, unless they have been given supervision or instruction concerning use of the sewing machine by a person responsible for their safety. Children should be supervised to ensure that they do not play with the sewing machine.

The noise level under normal operating conditions is less than 75dB(A).

The machine must only be used with foot control of type KD-1902, FC-1902 (110-120V area) / KD-2902, FC-2902A, FC-2902C, FC-2902D (220-240V area) manufactured by ZHEJIANG FOUNDER MOTOR CORPORATION LTD. (China) / 4C-316B (110-125V area) / 4C-316C (127V area) / 4C-326C (220V area) / 4C-326G (230V area) / 4C-336G (240V area) / 4C-336G (220-240V area) manufactured by Wakaho Electric Ind. Co. Ltd. (Vietnam)

SERVICING OF DOUBLE INSULATED PRODUCTS

In a double-insulated product, two systems of insulation are provided instead of grounding. No ground means is provided on a double-insulated product, nor should a means for grounding be added to the product. Servicing of a double-insulated product requires extreme care and knowledge of the system and should be done only by qualified service personnel. Replacement parts for a double-insulated product must be identical to those parts in the product. A double-insulated product is marked with the words “DOUBLE INSULATION” or “DOUBLE INSULATED”.

INTRODUCTION

Table of Contents

INTRODUCTION	2-6
Welcome	2
Important Safety Instructions	3-5
Table of Contents	6
1.ABOUT YOUR MACHINE	7-10
Main Parts of the Machine Front	7
Main Parts of the Machine Back	8
Needle and Presser Foot Area.....	9
Removable Storage Compartment and Accessories	10
2.GETTING READY TO SEW	11-16
Powering Your Machine	11
Winding the Bobbin.....	12
Inserting the Bobbin	13
Threading the Upper Thread.....	14
Automatic Needle Threader	15
Drawing Up the Bobbin Thread.....	16
3.START SEWING	17-26
Before You Start Sewing	17
Stitch Formation	18
Stitch Selector Dial.....	19
Sewing a Straight Stitch.....	20
Sewing a Decorative Stitch	21
Sewing a Stretch Stitch.....	22
Sewing a 4-Step Buttonhole.....	23
Sewing a Button.....	24
Inserting and Changing Needles.....	25
Changing the Presser Foot	26
Sew Easy Foot.....	26
4.TROUBLESHOOTING AND MAINTENANCE	27-32
Troubleshooting	27-31
Maintenance.....	32
5.APPENDIX - GLOSSARY	33
Glossary of Key Sewing Terms	33

Explanation key to notations in this manual:



= Helpful information



= Could cause harm



= Impacts sewing results

To ensure that you are always provided with the most modern sewing capabilities, the manufacturer reserves the right to change appearance, design or accessories of this sewing machine when considered necessary.

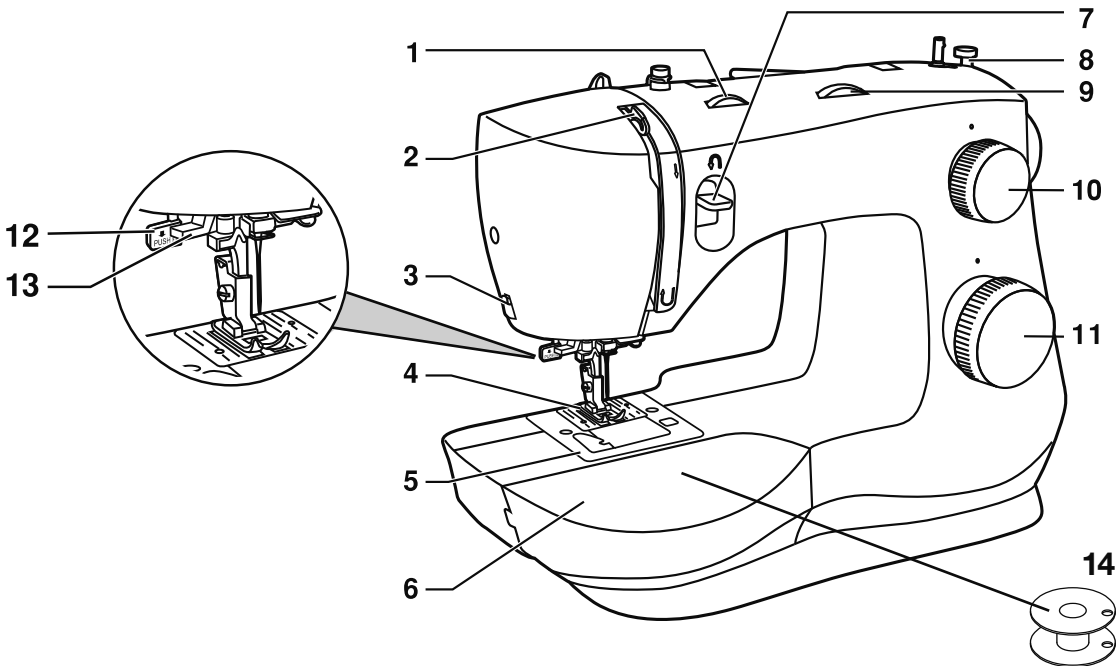
SINGER® & Singer is Sewing Made Easy is a registered trademark of The **SINGER®** Company Limited or its affiliates.

© 2016 The **SINGER®** Company Limited or its affiliates. All rights reserved.

ABOUT YOUR MACHINE

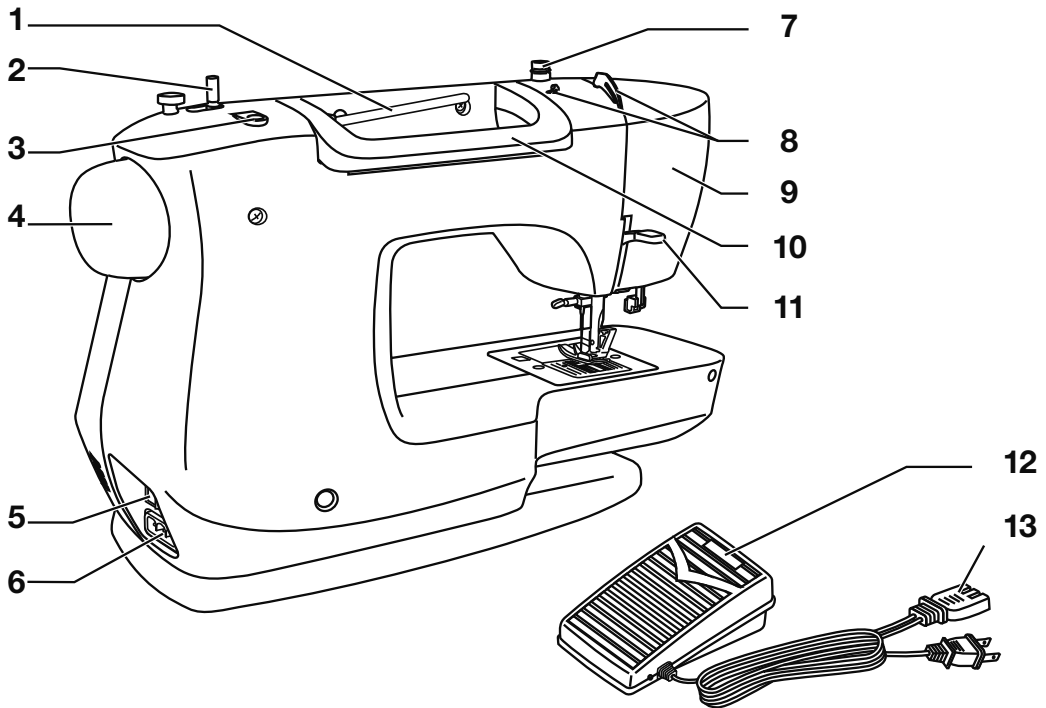
Main Parts of the Machine Front

1



1. **THREAD TENSION DIAL** allows you to select just the right tension for your stitch, thread and fabric. (See Page 18)
2. **THREAD TAKE-UP LEVER** controls the flow of the upper thread while sewing. (See Page 14)
3. **THREAD CUTTER** is conveniently located for trimming thread ends at the end of sewing.
4. **PRESSER FOOT** holds fabric against feed teeth, drawing fabric under the foot for you as you sew. (See Page 26)
5. **NEEDLE PLATE** has guidelines to help you keep seams straight. (See Page 9)
6. **REMOVABLE STORAGE COMPARTMENT** provides flat surface for sewing, storage for accessories, and provides access to the free arm. (See Page 10)
7. **REVERSE SEWING LEVER** reverses stitching direction, for example, when securing the beginning and ending of a seam. (See Page 20)
8. **BOBBIN WINDING STOPPER** determines when bobbin is full and disengages automatically. (See Page 12)
9. **STITCH WIDTH DIAL** controls the width of stitches, making them narrower or wider. (See page 19)
10. **STITCH LENGTH DIAL** controls the length of stitches, making them shorter or longer as desired. It is also used for stretch stitch selection. (See Page 19)
11. **STITCH SELECTOR DIAL** is used to select stitch patterns and buttonhole settings. (See Page 19)
12. **ONE STEP BUTTONHOLE LEVER** automatically determines the length of the buttonhole when lowered. (See Page 23)
13. **NEEDLE THREADER LEVER** is used to engage the automatic needle threader. (See Page 15)
14. **BOBBIN** holds the thread that forms the stitching that appears on the bottom side of the fabric. (See Page 12)

Main Parts of the Machine Back

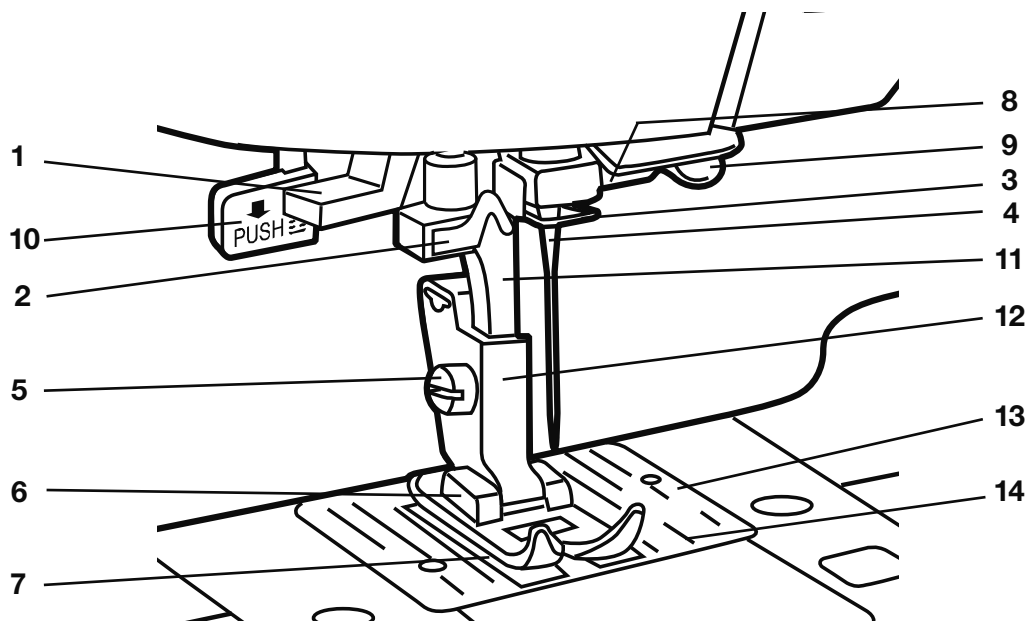


1. **HORIZONTAL SPOOL PIN** holds the thread spool and spool cap for the upper thread.
2. **BOBBIN WINDING SPINDLE** holds bobbin as it winds. (See Page 12)
3. **HOLE FOR SECOND SPOOL PIN** is used to hold an additional spool pin, for thread spools to be used in upright position or for using two spools at once for twin needle sewing.
4. **HANDWHEEL (ALWAYS TURN IT TOWARD YOU)**, controls movement of the needle and the thread take-up lever.
5. **POWER AND LIGHT SWITCH** turns on machine and sewing light simultaneously. (See Page 11)
6. **MAIN PLUG SOCKET** is used to connect the power cord/foot control. (See Page 11)
7. **BOBBIN WINDING TENSION DISK** holds the thread snugly to help ensure smooth and even bobbin winding. (See Page 12)
8. **PRE-TENSION THREAD GUIDES** help maintain the flow of the thread during sewing. (See Page 14)
9. **FACE PLATE** houses and protects the interior mechanisms of the machine.
10. **HANDLE** is used for lifting and transporting the machine.
11. **PRESSER FOOT LIFTER** raises and lowers presser foot. It should be placed up for machine threading and down for sewing. (See Page 14)
12. **FOOT CONTROL** controls sewing speed by the amount of pressure applied by user. (See Page 11)
13. **POWER CORD** connects the machine to the power source. (See Page 11)

ABOUT YOUR MACHINE

Needle and Presser Foot Area

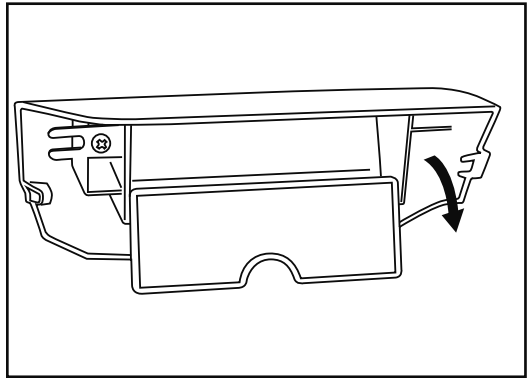
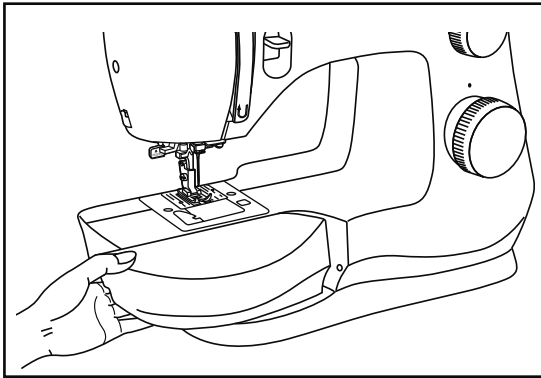
1



1. **NEEDLE THREADER LEVER** is used to engage the automatic needle threader mechanism.
2. **NEEDLE THREADER GUIDE** holds thread securely before placing it in hook pin.
3. **THREAD GUIDE** controls movement of upper thread.
4. **NEEDLE** holds thread during stitch formation.
5. **PRESSER FOOT SCREW** secures the presser foot holder (shank) onto the presser bar.
6. **PRESSER FOOT** holds fabric against the feed teeth while sewing. Various optional presser feet are available, depending on fabric sewn and sewing techniques. (see page 10)
7. **FEED TEETH (OR FEED DOGS)**, which look like rows of teeth under the presser foot, control the movement of the fabric under the presser foot.
8. **NEEDLE CLAMP** holds the machine's needle in position.
9. **NEEDLE CLAMP** screw secures the needle when placed in needle clamp.
10. **ONE STEP BUTTONHOLE LEVER** automatically determines the length of the buttonhole when lowered. (see page 23)
11. **PRESSER BAR** accommodates the presser foot holder.
12. **PRESSER FOOT HOLDER (OR SHANK)** holds presser foot.
13. **NEEDLE PLATE** covers the bobbin area and provides flat area around presser foot for sewing.
14. **STITCHING GUIDELINES** are used as a visual reference for guiding fabric straight while sewing. The first line is 3/8" (10mm) from center needle position. The most popular seam allowance measurements are 1/2" (13mm) and 5/8" (16mm). The 1/2" seam allowance is the 2nd line, and the 5/8" seam allowance is the 3rd line from center needle position.

ABOUT YOUR MACHINE

Removable Storage Compartment and Accessories



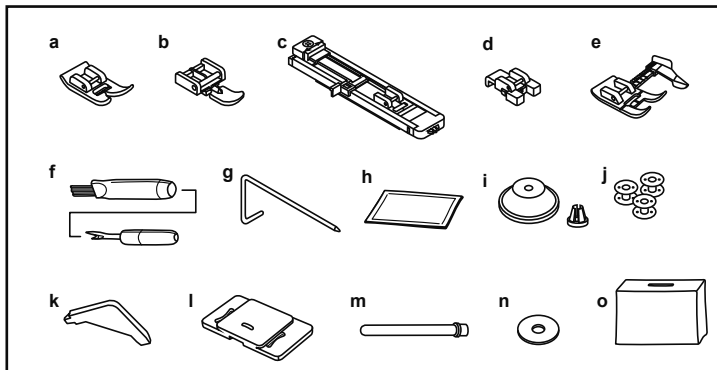
Hold the Removable Storage Compartment horizontally, then pull toward the left to remove it from the machine. Doing this, you will have access to the free arm, which makes it easy to sew tubular projects like pant hems or sleeves. Additionally, you will find the machine's accessories stored here (see below).

To replace the Removable Storage Compartment, hold it as shown in the illustration, and then push it to the right.

This machine comes with a standard assortment of presser feet and accessories.

Standard Accessories Included:

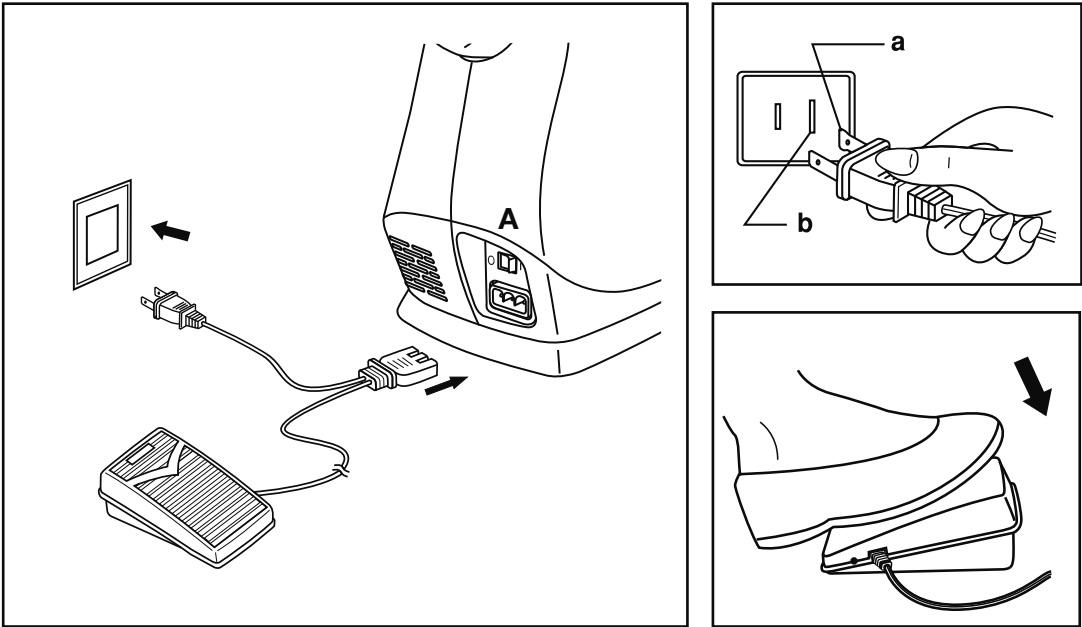
- a. All Purpose Foot (for general sewing)
- b. Zipper Foot (for inserting a zipper)
- c. Buttonhole Foot (for making buttonholes)
- d. Button Sewing Foot (for attaching buttons)
- e. Sew Easy Foot (for sewing accurate seams) THIS BONUS ITEM IS NOT INCLUDED WITH MACHINES SOLD IN SOME AREAS AND MAY BE AN OPTIONAL ACCESSORY. FOR INFORMATION ON PURCHASING THIS ITEM, GO TO WWW.SINGERCO.COM.
- f. Seam Ripper/Brush (remove stitches/brush out lint)
- g. Edge/Quilting guide (for straight & accurate quilting)
- h. Pack of Needles (replacement needles)
- i. Spool Holders (2 sizes for various thread spool styles)
- j. Bobbins (**SINGER**® Class 15 transparent bobbins)
- k. L-Screwdriver (to remove needle plate for cleaning)
- l. Darning Plate (cover for feed teeth)
- m. Second Spool Pin (for sewing with an optional twin needle)
- n. Spool Pin Felt (to cushion the spool of thread when using the second spool pin)
- o. Soft Cover (to protect your machine from dust and lint while not in use)



Optional Accessories:

For information about additional presser feet, attachments and accessories that may be available for your machine, visit www.singerco.com

Powering Your Machine



Connect the machine to a power source as illustrated. This machine is equipped with a polarized plug which must be used with the appropriate polarized outlet. (a and b)

⚠ Unplug power cord when machine is not in use.

Foot Control

The foot control regulates the sewing speed. When foot control is disconnected, the machine will not operate.

Sewing Light

Press main switch (A) to "1" for power and light.

⚠ For machine with a polarized plug (one blade is wider than the other). To reduce the risk of electric shock, this plug is intended to fit in a polarized outlet only one way. If it does not fit fully in the outlet, reverse the plug. If it still does not fit, contact a qualified electrician to install the proper outlet. Do not modify the plug in any way.

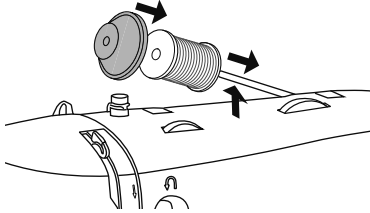
⚠ Your **SINGER**® machine is adjusted to provide the best stitch results at normal room temperature. Extreme hot and cold temperatures can affect the sewing results.

Winding the Bobbin

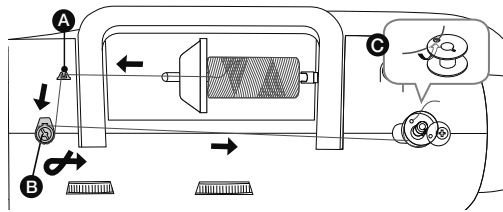


This machine uses **SINGER®** Class 15 transparent bobbins.

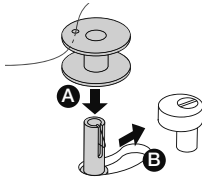
Use only this style of bobbin when purchasing additional bobbins for your machine. Do not substitute with metal bobbins.



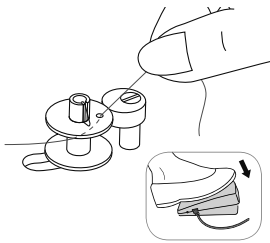
1. Place thread spool and corresponding size spool holder onto spool pin. Spool holder should be large enough to cover the end of the thread spool so thread unreels smoothly. For smaller, narrower spools, use the small spool cap, which can be found in the removable storage compartment.



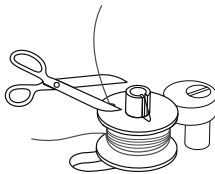
2. (A) Snap thread into guide at top of machine. (B) Place thread snugly around bobbin winding tension disk to ensure that thread winds onto bobbin smoothly and consistently. (C) Thread bobbin as shown, then place it onto the bobbin winding spindle.



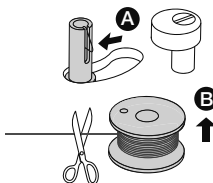
3. Check that bobbin is pushed down firmly (A). If it is not, the thread could begin winding under the bobbin. Push the bobbin and spindle firmly to the right (B).



4. Hold the thread end to get ready to wind. Step on the foot control gently as you hold the thread end. Allow it to wind a few revolutions slowly, then remove your foot from the foot control to stop.




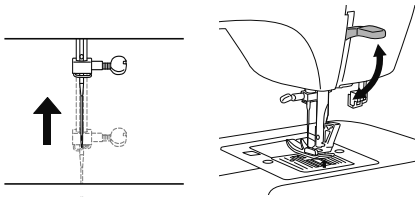
5. Trim the thread end close to the top of the bobbin, then resume winding by stepping on the foot control.



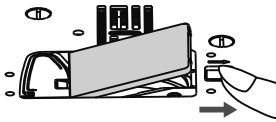
6. The bobbin will stop winding when it is full. Lift your foot off the foot control. Push the bobbin to the left (A), then trim the thread and remove the bobbin from the spindle (B).

Inserting the Bobbin

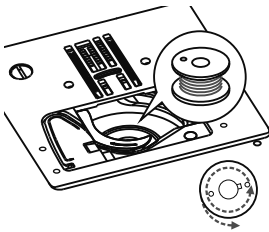
 Turn power switch off before inserting or removing the bobbin.



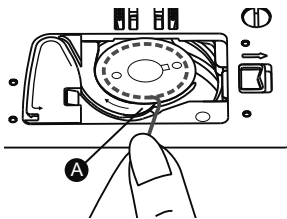
1. When inserting or removing the bobbin, the needle and presser foot must be fully raised.



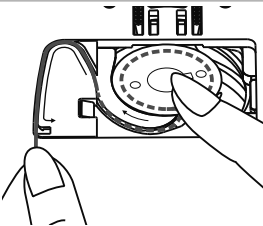
2. Remove the bobbin cover plate and bobbin.



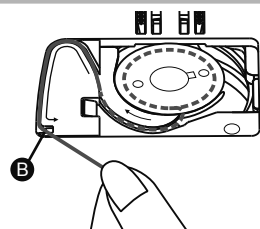
3. Insert the bobbin in the bobbin case with the thread running in a counterclockwise direction (arrow).



4. Pull the thread through the slit (A).



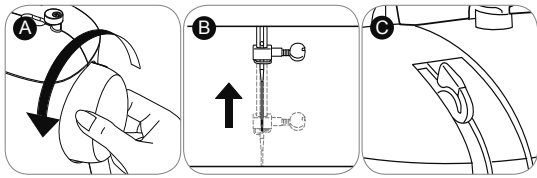
5. With a finger held gently on top of the bobbin, place thread into guides as shown.



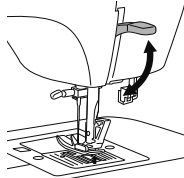
6. To cut off excess thread pull it toward you to cut it with the cutter at point (B). Replace the bobbin cover plate.


Threading the Upper Thread

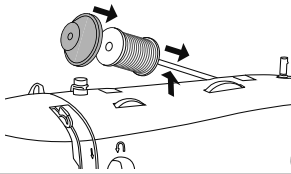
 For safety, turn off the power before threading the machine.



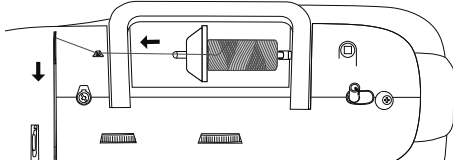
1. Start by turning the handwheel (A) toward you to raise the needle (B) and the thread take up lever (C). You should be able to see the take up lever.



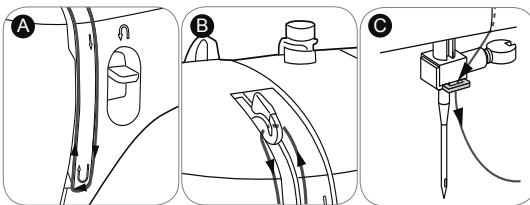
2.  **Raise the presser foot lifter.** This is necessary in order for the machine to be threaded correctly.



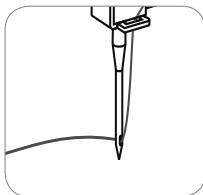
3. Place the thread spool and spool cap onto the spool holder.



4. Draw thread from the spool through the upper thread guide at the top of the machine. Hold the thread with both hands and pull it into the pre-tension guide.



5. (A) Bring the thread down the right channel, around the U-turn, and up the left channel. (B) At the top of the left channel, hook the thread from back to front through the slotted eye of the thread take-up lever. If the thread does not pass into the eye of the take-up lever, the machine will jam. After threading the take-up lever, bring the thread downward again. (C) Pass the thread behind the metal thread guide and then down to the needle.




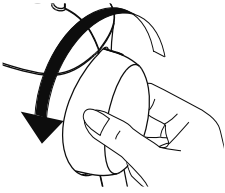
6. If you want to thread the needle manually, thread it from front to back. Pull about 6-8 inches of thread to the back beyond the needle eye. Alternatively, you can use the automatic needle threader to thread the eye of the needle. (see page 15)

GETTING READY TO SEW

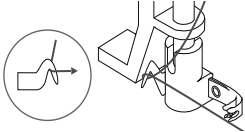
Automatic Needle Threader

2

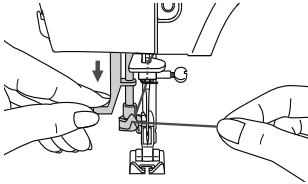
 For safety, turn off the power before using the automatic needle threader.



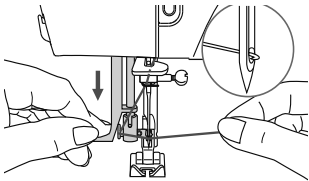
1. **Raise the needle to its highest position by turning the handwheel toward you.** If you turn the handwheel backward, the machine will jam when you start to sew.



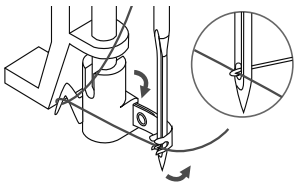
2. Pass thread around thread guide.



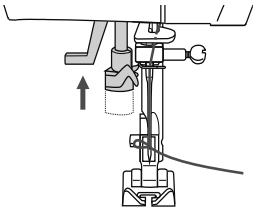
3. Press lever down as far as it will go.



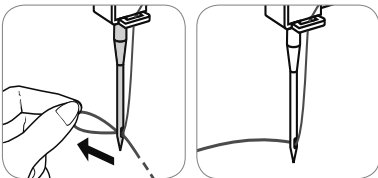
4. The threader automatically swings to the threading position.




5. Pass the thread in front of the needle and under the hook.



6. Release the lever & the thread tail at the same time, this will form a loop at the back of the needle.



7. Pull the thread through the needle eye.

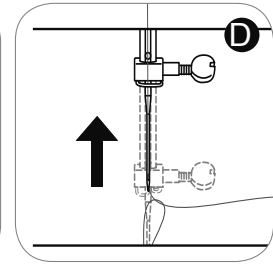
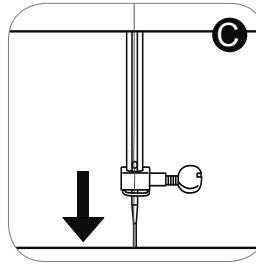
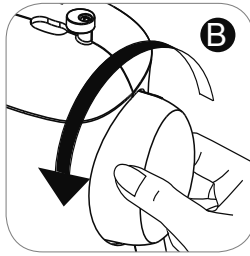
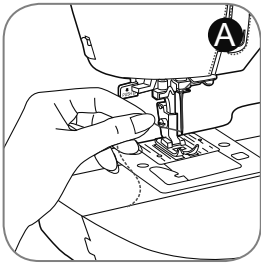
 Pull about 6-8" of thread to the back beyond the eye of the needle. This will help prevent the needle from becoming unthreaded when you start to sew.

2

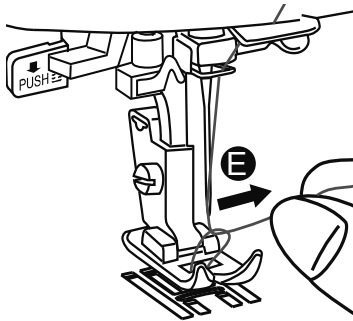
GETTING READY TO SEW

Drawing Up the Bobbin Thread

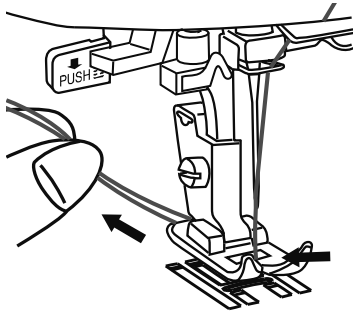
⚠ For safety, turn off the power before threading the machine.



1. Hold the upper thread tail with the left hand (A). Turn the handwheel toward you (B), first lowering (C) and then raising the needle (D).



2. As you turn the handwheel, gently pull the upper thread, which will bring a loop of the bobbin thread up through the hole of the needle plate (E). Pull the loop to bring the bobbin thread end up through the opening in the needle plate. If a loop doesn't pull up, turn the handwheel toward you one more time. If it still doesn't come up, check that the bobbin thread is not trapped by the bobbin cover.



3. Bring both threads under the presser foot and toward the back of the machine.

Before You Start Sewing

Now that your machine is threaded, we will show how to set up the machine for basic sewing techniques such as: sewing a straight stitch, sewing a decorative stitch, sewing a stretch stitch, sewing a buttonhole and sewing a button. With each technique, you have the opportunity to sew along.

For more information about the various stitches on your machine and how to use them, refer to the **Stitch Reference Guide** by visiting www.singerco.com.

Here are a few other tips that you may find helpful before you begin:

When unpacking the machine, you may have noticed some small traces of oil around the needle plate or presser foot area. If so, wipe off any excess oil with a soft, dry cloth before you start sewing. It is also recommended that you sew on a piece of scrap fabric to remove excess oil.

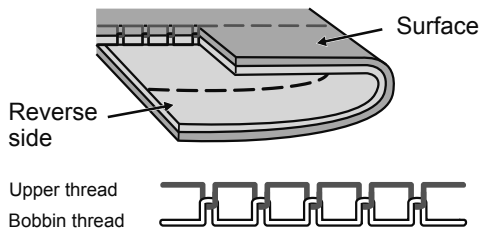
The foot control is used to control the speed of your sewing. When you press down on the foot control, the machine will sew. The greater the pressure you place on the foot control, the faster the machine will sew. When you take your foot off the foot control, the machine will stop.

Needles are an important part of sewing. Using old, damaged or incorrect needles for your projects can affect sewing results. For information about which needle to use for your project, refer to the **Stitch Reference Guide** at www.singerco.com. For information on how to change the needle, see page 25.

Depending on the sewing technique you want to do, it may be necessary to change to a different presser foot. For information on how to do this, see page 26.

Review the page about **Stitch Formation** (see page 18). This will help you understand what the stitching should look like when you sew.

Use the thread cutter on the machine (see page 7) to trim thread tails when finished sewing. This is helpful because thread tails are left long enough so that the needle does not become unthreaded when you start sewing again.

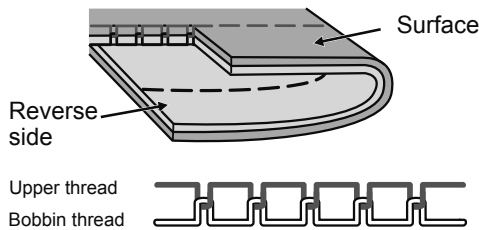
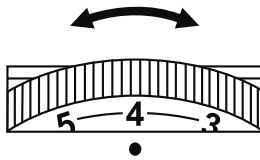


1. How Stitches Form

Stitches are formed when the upper thread and the bobbin thread interlock between the fabric layers. Stitching is well balanced when the needle thread appears on the top and the bobbin thread appears on the bottom.

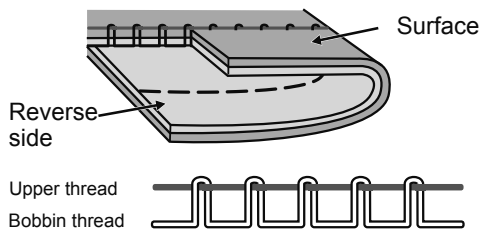
2. Thread Tension Dial

The Thread Tension Dial has a range of settings between 0 and 9. Most of your sewing will be done with your Thread Tension Dial set between 3 and 5. It can be adjusted to a higher number for more tension on the upper thread, if the upper thread seems too loose. It can be adjusted to a lower number for less tension on the upper thread, if the bobbin thread seems to be showing on the top side of the fabric.

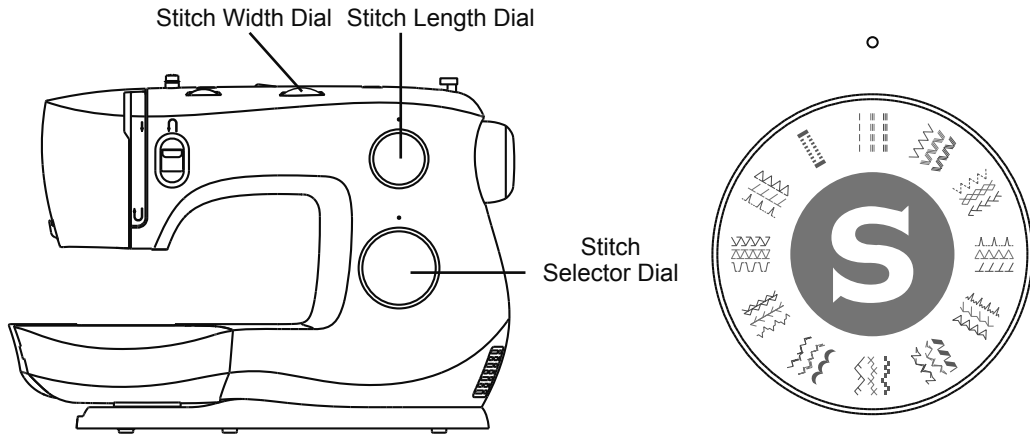


Adjusting Tension

Thread tension can also be adjusted for various sewing techniques. For basting (see Appendix), you can loosen it to a lower number so that the stitches can easily be removed. For gathering, you can turn it to a higher number.

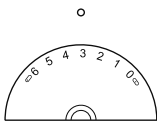


3. → When you sew, if you see large loops on the underside of the fabric, this is actually an indication that the upper thread was not threaded correctly, as it has no tension controlling it. For information on how to correct this, see the Troubleshooting and Maintenance section of this manual.



The **Stitch Selector Dial** is used to select the stitch you want to sew. The dial can be turned to the left or to the right.

For Sewing the Grey Stitch Patterns:



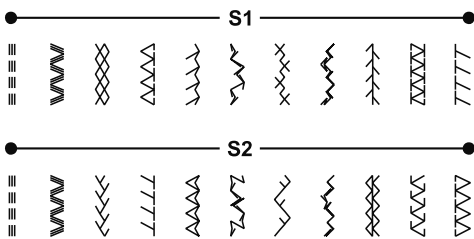
Stitch Width Dial



Stitch Length Dial

1. Turn the Stitch Selector Dial until it clicks in place under the dot directly above the dial on the machine.
2. Set the Stitch Length Dial according to the length you want. It can be set anywhere between 0.5 and 4, with 4 being the longest setting.
3. For straight stitch sewing, the Stitch Width Dial can be set at 0 for the center needle position or 6 for the left needle position.

For Sewing the Blue or Red Stitch Patterns:



Stitch Width Dial



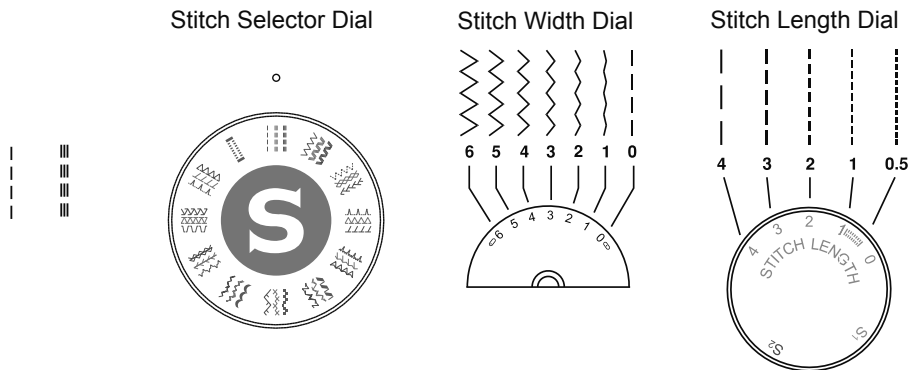
Stitch Length Dial

1. Turn the Stitch Selector Dial until it clicks in place under the dot directly above the dial on the machine.
2. Set the Stitch Length Dial so that the S1 or S2 is lined up with the dot above this dial. This dial must be set at the S1 marking for the blue stitches or the S2 marking for the red stitches, or the stitch pattern will not sew.
3. Set the Stitch Width Dial to a wide setting (4-6). If desired, you can set it to a lower setting, depending on the look you want.

For examples of stitch patterns and further instruction, see the Stitch Reference Guide at www.singerco.com.

START SEWING

Sewing a Straight Stitch

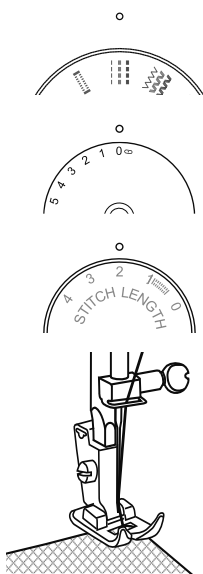


A straight stitch is used for sewing seams and topstitching.

HOW TO:

1. Set the machine for Straight Stitch by setting the Stitch Selector Dial to straight stitch. (see page 19)
2. Set the Stitch Width Dial control to 0 for the center needle position. (see page 19)
3. The Stitch Length Dial control can be set at the stitch length that you desire. (see page 19)

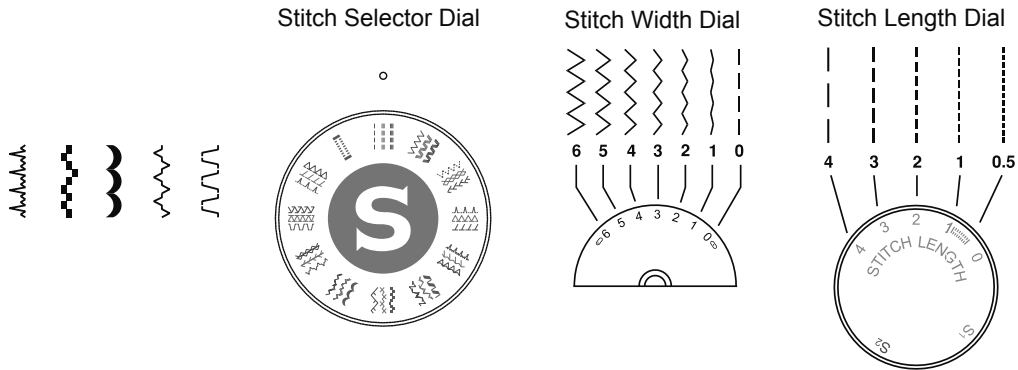
SEW ALONG:



1. Set the Stitch Selector Dial so that the straight stitch symbols are directly below the dot.
2. Set the Stitch Width Dial control so that the number 0 is directly in front of the dot on the top of the machine.
3. Set the Stitch Length Dial control so that the number 2 is directly below the dot on the machine. This is an average stitch length setting for regular sewing.
4. Place the fabric under the All Purpose Foot or the Sew Easy Foot (see page 26) with the right-hand edge of the fabric lined up with the desired seam guide line on the right side of the needle plate. Lower the presser foot, then step on the foot control to begin sewing. Always make sure that the presser foot is lowered before you begin to sew. If you fail to do so, the machine will jam as you begin to sew. Start your seam by sewing 2 to 3 stitches. Press the Reverse Lever to sew backwards 2 to 3 stitches, which will lock the end of the seam so the stitches don't come undone. Release the Reverse Lever to sew forward again. Continue sewing the length of the seam. Press the Reverse Lever at the end of the seam and sew backwards 2 to 3 stitches. Release the Reverse Lever to sew forward again to finish.

- ✓ Use a slightly shorter stitch length for lightweight fabrics, finer threads and needles. Use a longer stitch length such as 3 or 4 for heavy weight fabrics.
- ✓ It may be helpful to gently hold the thread tails with your left hand for the first few stitches, as this will help guide the fabric under the foot as you begin to sew.
- ✓ If you prefer the needle positioned to the left, the needle position can be adjusted by moving the Stitch Width Dial toward 6. Setting it towards 0 will move it to the center and towards 6 will move it to the left.

Sewing a Decorative Stitch

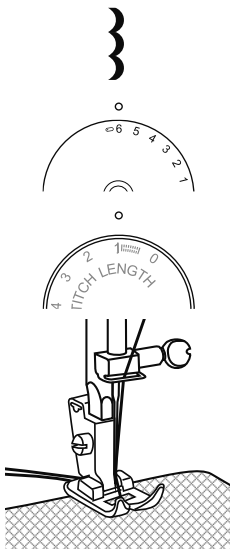


A decorative stitch is used for embellishing and adding flair to your sewing projects. (Go to www.singerco.com to view other decorative stitches that can be used).

HOW TO:

1. Set the machine to the desired stitch by setting the Stitch Selector Dial to one of the decorative stitches. (see page 19)
2. Set the Stitch Width Dial control between 2 and 6 depending on how wide you want your stitch to be. (see page 19)
3. Set the Stitch Length Dial between 0.5 and 3. (see page 19)

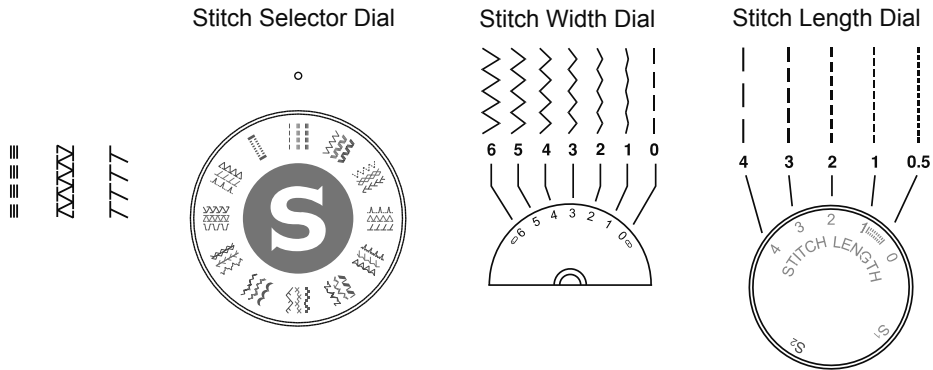
SEW ALONG: Scallop Stitch



1. Set the Stitch Selector Dial, so that the Scallop Stitch setting is directly below the dot.
2. Set the Stitch Width Dial control so that number 6 is directly in front of the dot on the top of the machine.
3. Set the Stitch Length Dial control so that number 1 is directly below the dot on the machine.
4. Place the fabric under the All Purpose Foot with the right-hand edge of the fabric lined up with the desired seam guide line on the right side of the needle plate. Lower the presser foot, then step on the foot control to begin sewing. Sew 2 to 3 stitches and then backstitch (see page 20) to reinforce the seam.

✔ Use a stabilizer (see Appendix) on the underside of the fabric if there is gathering or puckering as you sew. Decorative stitching can be used almost anywhere on your project!

✔ It may be helpful to decrease the upper tension by 1 or 2 numbers when sewing decorative stitches. This will help prevent the bobbin thread from possibly showing on the top when sewing denser stitches.

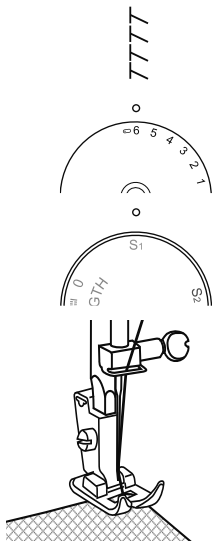


A stretch stitch is used for stretch knit fabrics. This type of seam will stretch with the fabric. (Go to www.singerco.com to view other stretch stitches that can be used).

HOW TO:

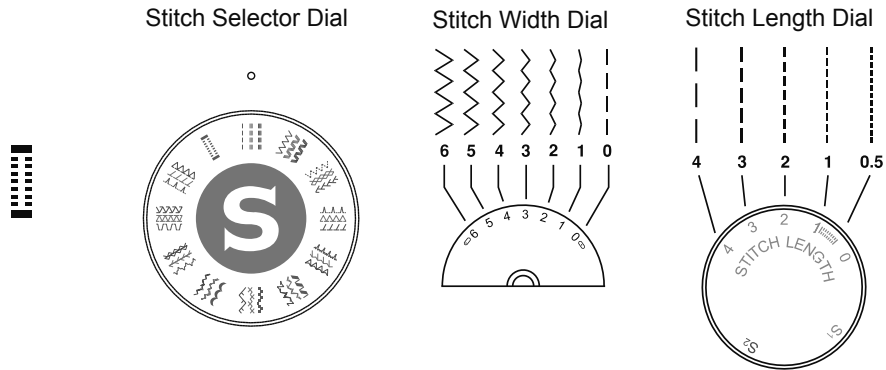
1. Set the machine to the desired stitch by setting the Stitch Selector Dial to one of the stretch stitch settings. (see page 19)
2. Set the Stitch Width Dial control between 2 and 6 depending on how wide you want your stitch to be. (see page 19)
3. Set the Stitch Length Dial to the Stretch S1 setting for the blue stitches or S2 for the red stitches. (see page 19)

SEW ALONG: Overedge Stitch



1. Set the Stitch Selector Dial, so that the Overedge stitch setting is directly below the dot.
2. Set the Stitch Width Dial control so that number 6 is directly in front of the dot on the top of the machine.
3. Set the Stitch Length Dial control so that the S1 setting is below the dot.
4. Place the fabric under the All Purpose Foot with the right-hand edge of the fabric lined up with the desired seam guide line on the right side of the needle plate. Lower the presser foot, then step on the foot control to begin sewing.

Sewing a 1-Step Buttonhole

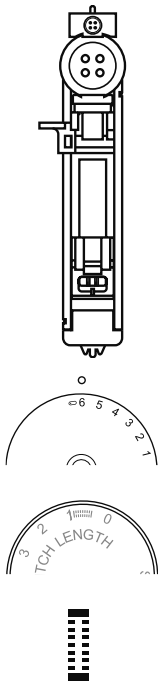


This machine has a built-in buttonhole feature, allowing you to sew buttonholes in one easy step. The Stitch Selector Dial shows the buttonhole setting in grey.

HOW TO:

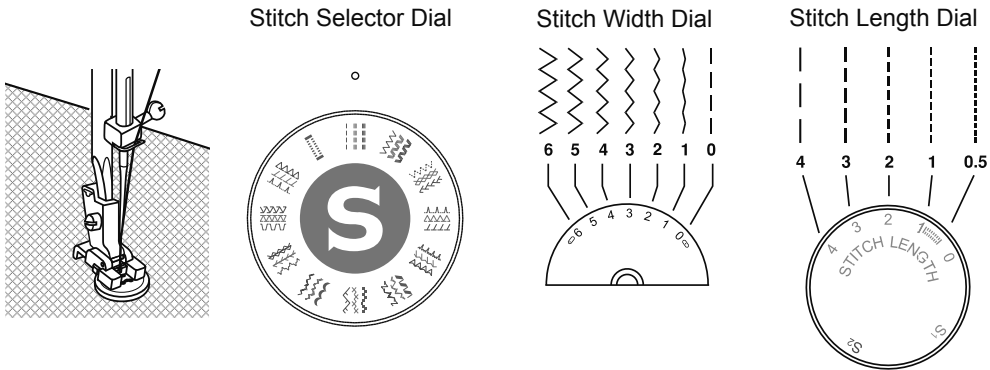
1. Set the machine to the desired stitch by setting the Stitch Selector Dial to the buttonhole stitch. (see page 19)
2. Set the Stitch Width Dial control to the widest setting 6. (See page 19)
3. Set the Stitch Length Dial within the buttonhole range. (see page 19)

SEW ALONG: Buttonhole Stitch



1. Place the button at the back of the buttonhole foot. Mark the position and length of buttonhole on the fabric.
2. Remove the All Purpose Foot and attach the Buttonhole Foot (see page 26). Pass upper thread through the hole of the foot and bring thread to the left.
3. Set the Stitch Selector Dial so that the buttonhole symbol is directly below the dot.
4. Set the Stitch Width Dial control so that number 6 is directly in front of the dot on the top of the machine.
5. Set the Stitch Length Dial so that the buttonhole range is directly below the dot.
6. Place the fabric under the foot so that the center line mark on your fabric is aligned with the center of the buttonhole foot and that the cross-line mark on the fabric aligns with the center hole of the buttonhole foot. Lower the presser foot.
7. Pull the buttonhole lever all the way down and then carefully push it back. The buttonhole lever must sit in front of the notch located on the left of the buttonhole foot.
8. Hold upper thread slightly and start to sew until the buttonhole is completed.
9. Return the buttonhole lever to its original position once all buttonholes are completed.

- ➔ Use a stabilizer to support the stitches.
- ➔ Slightly reducing your upper tension by 1 or 2 numbers will improve results.
- ➔ Always test sew on a scrap piece of your fabric.
- ➔ To secure thread tails, use hand needle to bring upper thread to back and tie off.

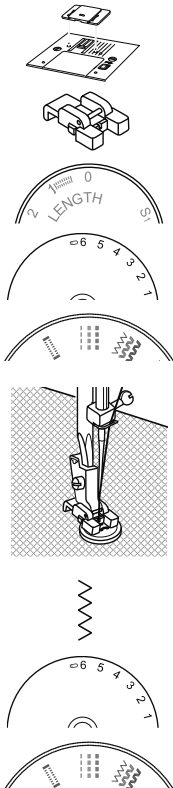


This machine includes a Button Sewing Foot, allowing you to attach buttons to your projects easily and quickly.

HOW TO:

1. Set the machine to Straight Stitch by turning the Stitch Selector Dial to the Straight Stitch Symbol. (see page 19)
2. Set the Stitch Width Dial control to 6 to begin, this will position the needle to the left. (see page 19)
3. Set the Stitch Length Dial to 0 to begin. (see page 19)


SEW ALONG: Attaching a Button



1. Attach the Darning Plate to the needle plate directly below the presser foot. To do this line up the prongs on the underside of the Darning Plate with the holes in the needle plate. Push down to snap it in place.
2. Remove the All Purpose Foot and attach the Button Sewing Foot. (see page 26).
3. Set the Stitch Length Dial control so that 0 is directly below the dot.
4. Set the Stitch Width Dial control so that 6 is directly in front of the dot on the top of the machine.
5. Set the Stitch Selector Dial so that the Straight Stitch setting is directly below the dot.
6. Place the button on the fabric, then line up the button directly under the front of the Button Sewing Foot so the 2 holes of the button appear in front of the foot. Turn the hand wheel towards you to make sure the needle clears the hole on the left. Step on the foot control and sew 3 to 4 securing stitches. Raise the needle out of the fabric and the button.
7. Set the Stitch Selector Dial so that the Zig Zag setting is directly below the dot. Adjust the dial until the needle moves from the left hole into the right hole of the button without interference. To test the movement of the needle turn the handwheel manually towards you several times to make sure the needle does not hit the button. Sew 10 to 12 stitches.
8. Set the Stitch Width Dial control so that the number 6 is directly in front of the dot on the top of the machine.
9. Set the Stitch Selector Dial so that the Straight Stitch setting is directly below the dot.
10. Sew 3 to 4 stitches to secure the stitching.

- ✓ Remove the Darning Plate when finished.

Inserting and Changing Needles

 Turn the machine off before changing the needle.

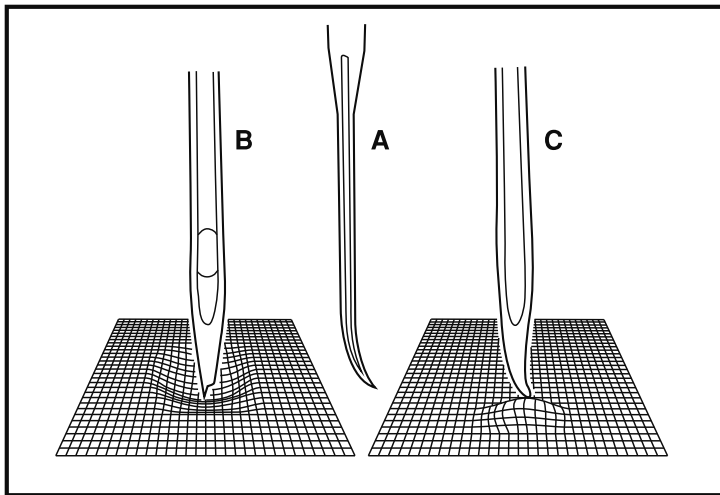
Change the needle regularly, especially if it is showing signs of wear resulting in sewing problems. Needles can show signs of wear when you see snags in the fabric or hear a slight popping sound as you are sewing.

If the needle becomes bent (A), the point becomes damaged (B) or the needle becomes dull (C), you should replace it with a new needle and discard the old one.

Generally, the needle should be replaced after every 4 projects or approximately every 16 hours of sewing time.

It is also important to use the right needle for the fabric you are sewing. (Go to www.singerco.com to view the Stitch Reference Guide)

For best results, use **SINGER®** branded needles in your **SINGER®** sewing machine.

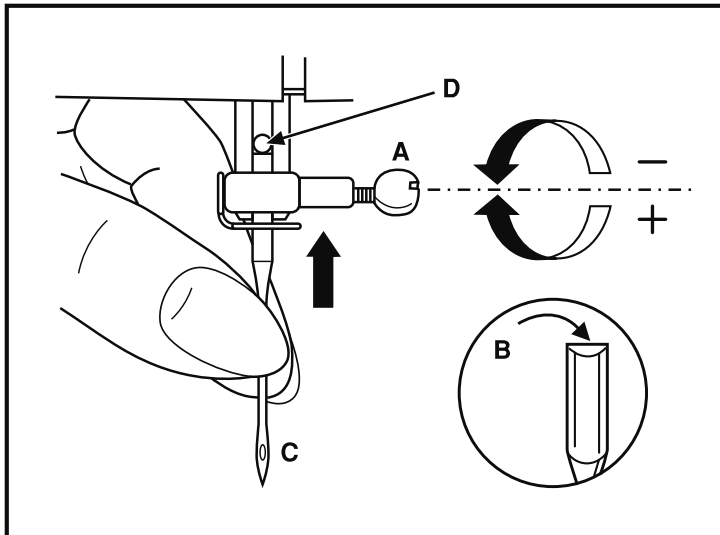


Loosen the needle clamp screw (A) by turning the screw toward you. Remove and discard the old needle.

Insert the new needle, making sure that the flat side of the top part of the needle is facing the back of the machine (B).

Insert the new needle as far up as it will go (C and D).

Tighten the needle clamp screw (A) securely by turning it toward the back.

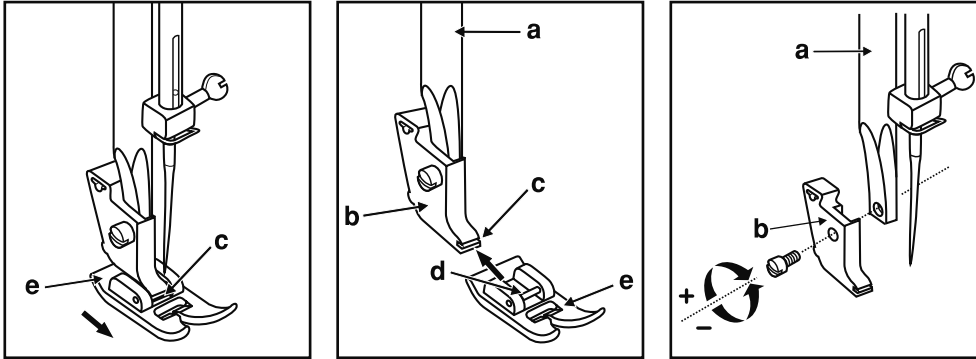


3

START SEWING

Changing the Presser Foot

⚠ For safety, turn off the power before changing the presser foot.



Before changing the presser foot, raise the presser foot lifter.

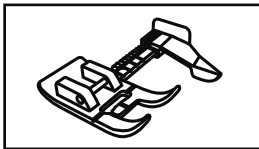
The presser foot holder (b) is attached to the presser bar (a). The presser foot (e) has a presser foot pin (d) that connects to the presser foot holder, sometimes called a shank (b). The shank has a groove (c) on its front, which connects it to the presser foot.

To remove a presser foot from the shank, pull the presser foot (e) toward you to disengage from the groove (c). The foot will release. To attach a presser foot, slide the pin (d) of the presser foot (e) into the groove (c) on the shank. The foot will snap on.

Some optional presser feet require you to remove the shank from the machine. To remove the shank from the machine (see above) loosen and remove the screw that holds the presser foot onto the presser bar (a), then remove the shank (b). To replace the shank, set the shank onto the presser bar, then replace the screw.

➔ This machine has a low shank with snap-on presser feet. When shopping for optional presser feet and attachments for your machine, look for low-shank, snap-on style.

Sew Easy Foot



THIS BONUS ITEM IS NOT INCLUDED WITH MACHINES SOLD IN SOME AREAS AND MAY BE AN OPTIONAL ACCESSORY. FOR INFORMATION ON PURCHASING THIS ITEM, GO TO WWW.SINGERCO.COM.

The Sew Easy Foot has a guide to help you sew the most accurate seams every time. The foot has an extension marked with the most popular seam allowances and a movable fabric guide that can be set wherever you want for the project you are making.

1. Attach the Sew Easy Foot.
2. Select Straight Stitch.
3. With your needle set in the center position, use the guide to select 3/8", 1/2", 5/8", 3/4", and even 1" seam allowances.
4. Place your fabric under the foot, lining up the raw edges with the guide on the foot. Lower the presser foot lifter, then sew.

1. Thread Loops on Underside of Fabric
2. Bobbin Thread Showing on Top of Fabric
3. Upper Thread Breaking
4. Thread is Shredding
5. Thread Bunching at Beginning
6. Skipping Stitches
7. Bobbin Winding Difficulties
8. Bobbin Thread Breaking
9. Needles Breaking
10. Stitches Distorted
11. Fabric Puckers
12. Fabric Is “Tunneling” Under Stitches
13. Machine Not Feeding Fabric
14. Needle Threader Not Working
15. Loud Noise When Sewing
16. Machine Will Not Run

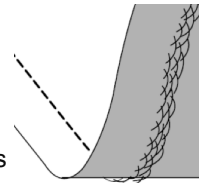
1. THREAD LOOPS ON UNDERSIDE OF FABRIC

Possible Cause: Thread looping on the underside of the fabric is always an indication that the upper thread is not correctly threaded. This happens when the upper thread is not correctly placed in the tension mechanism and has not been threaded through the take up lever.

Solution: Rethread machine, making sure to first raise the presser foot lifter before starting to thread, so thread can be properly seated in the tension mechanism and take up lever. (See Page 14)

To know if you have rethreaded the machine correctly, try this simple test:

- Raise the presser foot lifter and thread the top of the machine.
- Thread the needle, but don't put the thread under the presser foot yet. As you pull the upper thread to the left, it should pull freely.
- Put the presser foot lifter down. As you pull the upper thread to the left, you should feel resistance. This means you are threaded correctly.
- Put the thread under the presser foot, and then draw up the bobbin thread. Slip both thread tails under the presser foot towards the back. Lower presser foot and begin sewing.



If you put the presser foot lifter down, but the thread still pulls freely (you feel no difference whether the presser foot is up or down), this means you have threaded incorrectly. Remove the upper thread and rethread the machine.

2. BOBBIN THREAD SHOWING ON TOP OF FABRIC

Possible Cause: Top thread tension too tight.

Solution: Reduce upper thread tension. (See Page 18)

Possible Cause: Thread path is obstructed, putting extra tension on top thread.

Solution: Check that the top thread path is not obstructed and thread is moving freely through the thread path. (See Page 14)

Possible Cause: Bobbin thread not in bobbin case tension.

Solution: Rethread bobbin. (See Page 13)

Troubleshooting

3. UPPER THREAD BREAKING

Possible Cause: Thread path obstructed.

Solution: Check if thread is caught on thread spool (rough spots on the spool itself) or behind spool pin or spool cap (if the thread has fallen behind the spool cap and therefore cannot feed freely through the machine path). (See Page 14)

Possible Cause: Machine is not threaded correctly.

Solution: Remove upper thread completely, raise presser foot lifter, rethread machine making sure thread is in take-up lever (raise take up lever to its highest position by turning hand wheel toward you). (See Page 14)

Possible Cause: Upper tension too tight.

Solution: Reduce upper thread tension. (See Page 18)

4. THREAD IS SHREDDING

Possible Cause: Thread is old or poor quality.

Solution: Rethread the top of the machine and bobbin with good quality thread. (See Page 14)

Possible Cause: The needle is either worn or old, or it is the wrong style or size for the thread being used. Though it may seem that the machine is shredding the thread, it is usually the needle causing this. If the needle is old or worn out, or if the needle is too small for the thickness of thread, the eye of the needle can cause the thread to shred.

Solution: Change to a fresh needle in the correct size for the thickness/weight of thread being used. (See Page 25)

5. THREAD BUNCHING AT BEGINNING

Possible Cause: Top and bobbin threads have not been properly placed underneath presser foot before starting to sew.

Solution: Ensure that both the top thread and the bobbin thread are under the presser foot and toward the back before starting to sew. (See Page 20)

Possible Cause: Sewing was started with no fabric under the presser foot.

Solution: Place fabric under foot, making sure that needle comes down into fabric; lightly hold both thread tails for first few stitches. (See Page 20)

6. SKIPPING STITCHES

Possible Cause: Needle inserted incorrectly.

Solution: Check that flat side of needle top is toward back of machine and needle is up as far as it can go, then tighten needle clamp screw. (See Page 25)

Possible Cause: Wrong needle for fabric sewn.

Solution: Use correct style and size of needle for fabric. (Go to www.singerco.com to view the Stitch Reference Guide)

Possible Cause: Bent, dull or damaged needle.

Solution: Discard needle and insert new needle. (See Page 25)

7. BOBBIN WINDING DIFFICULTIES

Possible Cause: Bobbin thread loosely wound on bobbin.

Solution: Rewind bobbin, making sure that the thread is placed snugly in the bobbin winding tension disk. (See Page 12)

Possible Cause: Bobbin winding spindle not fully engaged, therefore bobbin not winding.

Solution: Check that the bobbin winding spindle has been fully engaged before starting to wind. (See Page 12)

Possible Cause: Bobbin is winding sloppily because thread end not held at beginning of winding process.

Solution: Before starting to wind, hold the thread tail (coming out of the bobbin) securely, allow the bobbin to partially fill, then stop to trim the thread tail close to the bobbin. (See Page 12)

8. BOBBIN THREAD BREAKING

Possible Cause: Bobbin threaded incorrectly.

Solution: Check that bobbin is placed correctly in the bobbin case. (See Page 13)

Possible Cause: Bobbin wound too full or unevenly.

Solution: Bobbin thread may not have been correctly placed into bobbin winding tension disk during the bobbin winding process. (See Page 12)

Possible Cause: Dirt or lint in bobbin case.

Solution: Clean bobbin case. (See Page 32)

Possible Cause: Wrong bobbins being used.

Solution: Use **SINGER®** bobbins that are the same style as those that come with the machine – don't substitute. Your machine comes with **SINGER®** Class 15 transparent bobbins.

9. NEEDLES BREAKING

Possible Cause: Bent, dull or damaged needle.

Solution: Discard needle, insert new needle. (See Page 25)

Possible Cause: Wrong size needle for fabric.

Solution: Insert appropriate needle for fabric type. (Go to www.singerco.com to view the Stitch Reference Guide)

Possible Cause: Machine not threaded correctly.

Solution: Rethread the machine completely. (See Page 14)

Possible Cause: "Pushing" or "pulling" fabric.

Solution: Don't manually push/pull fabric in order to sew, but allow the machine's feed teeth to draw fabric under the presser foot as you guide it. (See Page 20)

10. STITCHES DISTORTED

Possible Cause: “Pushing” or “pulling” the fabric.

Solution: Don’t manually push/pull fabric in order to sew, but allow the machine’s feed teeth to draw fabric under presser foot as you guide it.

Possible Cause: Incorrect stitch length setting.

Solution: Check for correct stitch length setting. (Go to www.singerco.com to view the Stitch Reference Guide)

Possible Cause: Stabilizer may be needed for technique.

Solution: Place stabilizer underneath fabric. (See Appendix in this manual)

11. FABRIC PUCKERS

Possible Cause: Top thread tension is too tight.

Solution: Reduce the top thread tension. (See Page 18)

Possible Cause: Stitch length is set too short for the fabric being sewn.

Solution: Increase stitch length. (Go to www.singerco.com to view the Stitch Reference Guide)

Possible Cause: Wrong style needle for fabric type.

Solution: Use correct needle style. (Go to www.singerco.com to view the Stitch Reference Guide)

Possible Cause: Needle too large for fabric.

Solution: Change to smaller size needle. (See Page 25)

12. FABRIC IS “TUNNELING” UNDER STITCHES

Possible Cause: Fabric is not properly stabilized for the density of the stitches. (For example, satin stitch applique)

Solution: Add a fabric stabilizer underneath the fabric to help keep the stitches from tunneling in together, forming a puckered ridge in fabric. (See Appendix in this manual)

13. MACHINE NOT FEEDING FABRIC

Possible Cause: Presser foot lifter has not been lowered onto fabric after threading.

Solution: Lower the presser foot lifter before starting to sew. Don’t “push” or “pull” the fabric as you sew.

Possible Cause: Feed teeth are covered by Darning Plate.

Solution: If the feed dogs have been covered, the Darning Plate needs to be removed to resume regular sewing.

Possible Cause: Stitch length is set at zero.

Solution: Increase stitch length setting.

14. NEEDLE THREADER NOT WORKING

(for models with built-in automatic needle threader)

Possible Cause: Needle not in correct position.

Solution: Raise needle to its highest position by turning hand wheel toward you. (See Page 15)

Possible Cause: Needle inserted incorrectly.

Solution: Needle all the way up in needle clamp (See Page 25)

Possible Cause: Needle is bent.

Solution: Remove bent needle, insert new needle. (See Page 25)

Possible Cause: Hook pin damaged.

Solution: Needle Threader needs replacement; contact authorized **SINGER**® service center: Visit www.singerco.com.

15. LOUD NOISE WHEN SEWING

Possible Cause: Thread not in take-up lever.

Solution: Rethread the machine, making sure the take up lever is in its highest position so thread goes in the eye of the take up lever – turn machine hand wheel toward you to raise the take up lever to its highest position for threading. (See Page 14)

Possible Cause: Thread path obstructed.

Solution: Check that thread is not caught on the thread spool or behind the spool cap. (See Page 14)

16. MACHINE WILL NOT RUN

Possible Cause: Bobbin winding spindle is engaged when you try to sew.

Solution: Disengage bobbin winding spindle. (See Page 12)


Possible Cause: Power cord and/or foot control not plugged in correctly.

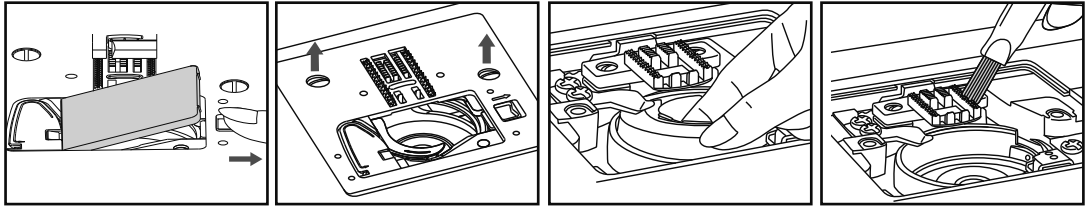
Solution: Make sure power cord/foot controller are correctly seated in machine and power supply. (See Page 11)

Possible Cause: Wrong bobbins being used.

Solution: Use only **SINGER**® branded bobbins that are same style as those that come with machine. (See Page 10)

Cleaning the Feed Teeth and Hook Area

 Before cleaning the machine, disconnect the power supply by removing the plug from the electrical outlet. Turn the hand wheel to raise the needle to its highest position. Raise the presser foot lifter.



To ensure the best possible operation of your machine, it is necessary to keep the essential parts clean. For daily machine use, it is recommended that you clean the machine weekly.

1. Remove the bobbin cover and then the presser foot. (See Page 26) Removing the presser foot will provide better access to the needle plate and bobbin case area.
2. Turn the handwheel toward you until the needle is at the highest position. (The take-up lever should be visible over the top of the machine).
3. Remove the 2 screws in the needle plate using the L-screwdriver provided with your machine. Remove the needle plate.
4. Remove the bobbin from the bobbin case.
5. Take a hold of the bobbin case with your thumb and index finger at about 7 o'clock. Push it lightly to the right as you lift, the bobbin case will easily slip out of the hook race area.
6. Using the small brush that was provided with your machine remove lint and fluff from the hook race area, as well as the feed teeth area.
7. Your machine has been pre-lubricated at the factory; as a result oiling the bobbin case area is not necessary.
8. To reinsert the bobbin case, make sure the needle is at the highest position. (The take-up lever should be visible over the top of the machine).
9. Take a hold of the bobbin case with your thumb and index finger at 6 o'clock directly over the left screw at the center front of the bobbin case.
10. Guide the forked end of the bobbin case under the feed teeth and then move the bobbin case from right to left, until it is seated correctly in the hook race.
11. To ensure that the bobbin case is in the correct position, turn the handwheel towards you; the hook race should turn freely in a counter-clockwise direction.
12. Make sure the needle is again at the highest position. Reposition the needle plate over the feed teeth and secure in place using the 2 screws that you removed earlier.
13. Attach presser foot, insert bobbin and replace bobbin cover. You are now ready to sew.

Sewing Light

This machine is equipped with a durable LED illumination, which is expected to last for the lifetime of the equipment.

Please contact a local service agent, should the lamp nevertheless require to be replaced.

Glossary of Key Sewing Terms

Backstitch

Backstitching is most commonly used at the beginning and ending of seams to lock the stitching so it does not come undone. Start sewing the beginning of the seam about 3-4 stitches, then sew in reverse for 3-4 stitches. Start sewing forward again and continue sewing the seam to the end, then sew in reverse 3-4 stitches, then forward again to finish.

Basting

Basting is temporary stitching, sewn using a long straight stitch and reduced tension. This temporary stitching holds fabrics together, but is intended to be removed. For example, basting the side seams of a skirt to check the fit, then the final seam is sewn and the basting stitch is removed.

Free Arm

In order to sew small, tubular projects such as a pant leg, sleeve cuff, etc, you will need to take the removable storage compartment off the machine, giving access to the free arm.

Interfacing

Interfacing is specially designed material, sewn between fabrics, used to provide additional structure to parts of a garment, for example, cuffs, collars, plackets, etc. It can be used for buttonholes to help keep the fabric stable while sewing.

Raw Edge

The raw edge of the fabric refers to the cut edge and usually becomes the edge of the seam allowance.

Seam

A seam is stitching that joins two fabrics together, includes the main stitching line and the seam allowance.

Seam Allowance

The seam allowance is the amount of fabric between the seam stitches and the raw edge of the fabric. The most popular seam allowance are 5/8" and 1/2".

Seam Finish

Seam finishing is stitching used to keep a raw edge from unraveling or fraying.

Stabilizer

Stabilizer is special material used to provide additional support for stitches for special techniques such as decorative machine stitching, appliqué, buttonholes and more.

Topstitching

Topstitching is straight stitching that appears on the top side of the fabric, used for adding strength, embellishment or both.



Please note that on disposal, this product must be safely recycled in accordance with relevant National legislation relating to electrical/electronic products. Do not dispose of electrical appliances as unsorted municipal waste, use separate collection facilities. Contact your local government for information regarding the collection systems available. When replacing old appliances with new ones, the retailer may be legally obligated to take back your old appliance for disposal free of charge.

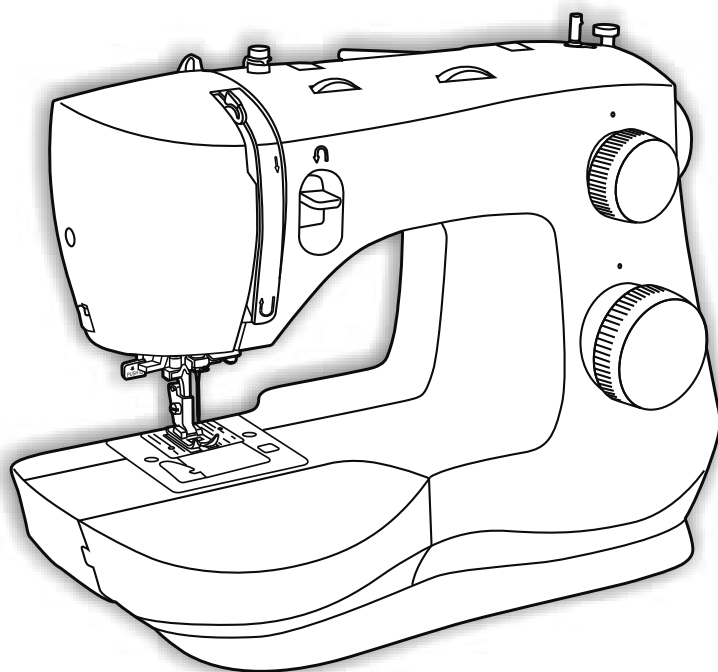
If electrical appliances are disposed of in landfills or dumps, hazardous substances can leak into the groundwater and get into the food chain, damaging your health and well-being.



SINGER® is a registered trademark of The **SINGER**® Company Limited or its affiliates.
©2016 The **SINGER**® Company Limited or its affiliates. All rights reserved.



SINGER®



MANUAL DE INSTRUCCIONES

3342

SINGER la costura hecha fácil.™

INSTRUCCIÓN

Bienvenido

Bienvenido(a) a la familia **SINGER**[®] y ¡FELICITACIONES por la adquisición de su nueva máquina de coser **SINGER**[®]!

La marca **SINGER**[®] tiene una posición de calidad en el área de costura por más de 160 años. Diseñamos máquinas para entusiastas de la costura de todos los niveles de habilidades, creaciones, que podrá hacer por usted mismo(a), manualidades y más actividades que pueden disfrutarse por todos. Es importante para nosotros que tenga la experiencia de costura más fácil y más exitosa, así que brindamos una amplia gama de recursos útiles:

1. Un manual de instrucciones con gráficas fáciles de entender e instrucciones paso a paso.
2. Asistencia en la web en www.singerco.com.
3. Asistencia personalizada por correo electrónico: talktous@singerco.com.
4. Ayuda persona a persona de parte de alguno de nuestros asistentes **SINGER**[®], en 1-800-474-6437 (asistencia inglés disponible en Norte América solo).

Estamos listos para ayudarle y esperamos que disfrute su máquina de coser **SINGER**[®].

¡Felices Costuras!

Esta máquina de coser doméstica ha sido diseñada de conformidad con las normas IEC/EN 60335-2-28 y UL1594.

INSTRUCCIONES DE SEGURIDAD IMPORTANTES

Cuando utilice un aparato eléctrico, debe respetar siempre las precauciones de seguridad básicas, incluyendo las siguientes:

Lea todas las instrucciones antes de utilizar esta máquina de coser doméstica.

Conserve las instrucciones en un lugar adecuado, cerca de la máquina.

Asegúrese de que acompañen a la máquina si se la da a un tercero.

PELIGRO - PARA REDUCIR EL RIESGO DE DESCARGA ELÉCTRICA:

- Nunca se debe dejar la máquina de coser desatendida cuando esté enchufada. Desenchufe siempre la máquina de coser inmediatamente después de utilizarla y antes de limpiarla, quitar las tapas, lubricarla o realizar cualquier otro ajuste o mantenimiento mencionado en el manual de instrucciones.

ADVERTENCIA - PARA REDUCIR EL RIESGO DE QUEMADURAS, INCENDIO, DESCARGA ELÉCTRICA O DAÑOS PERSONALES:

- No permita que se utilice como un juguete. Deberá prestar especial atención cuando se utilice la máquina cerca de niños.
- Utilice esta máquina de coser únicamente para el uso previsto, tal y como se explica en este manual. Utilice únicamente los accesorios recomendados por el fabricante, según se indica en este manual.
- No utilice nunca la máquina de coser si el cable o el enchufe están dañados, si no funciona adecuadamente, si se ha caído o se ha dañado, o si ha caído al agua. Envíe la máquina de coser al distribuidor autorizado o centro de servicio más cercano para su examen, reparación y ajuste eléctrico o mecánico.
- No utilice la máquina de coser si alguna de las aberturas para el aire está bloqueada. Mantenga las aberturas de ventilación de la máquina de coser y el pedal limpios de hilos, suciedad y trozos de tela sueltos.
- Mantenga los dedos alejados de todas las piezas móviles. Debe poner especial cuidado en las zonas próximas a la aguja de la máquina de coser.
- Utilice siempre la placa de aguja adecuada. Una placa inadecuada puede causar la rotura de la aguja.
- No utilice agujas torcidas.
- No tire de la tela ni la empuje mientras cose. Esto puede desviar la aguja, haciendo que se rompa.
- Use gafas de seguridad.

INSTRUCCIÓN

Instrucciones Importantes de Seguridad

- Apague la máquina de coser ("O") cuando realice ajustes en la zona de la aguja, como enhebrar la aguja, cambiarla, hacer canilla, cambiar el prensatelas, etc.
- No deje caer ni introduzca objetos en las aberturas.
- No utilice la máquina al aire libre.
- No trabaje con la máquina en lugares donde se usen productos en aerosol (spray) o donde se administre oxígeno.
- Para desconectarla, ponga todos los controles en la posición de apagado ("O") y, a continuación, desenchufe la máquina.
- No la desenchufe tirando del cable. Para desenchufarla, sujete la clavija, no el cable.
- El pedal sirve para manejar la máquina. Evite colocar otros objetos en el pedal.
- No utilice la máquina si está mojada.
- Si la bombilla LED está dañada o rota, debe ser reemplazada por el fabricante o su agente de servicio o una persona igualmente cualificada, para evitar riesgos.
- Si el cable de alimentación conectado con el pedal está dañado, debe ser reemplazado por el fabricante o su agente de servicio o una persona igualmente cualificada, para evitar riesgos.
- Si el cable de alimentación conectado con el pedal está dañado, debe ser reemplazado por el fabricante o su agente de servicio o una persona igualmente cualificada, para evitar riesgos.

GUARDE ESTAS INSTRUCCIONES

PARA EUROPA SOLAMENTE:

Esta máquina puede ser utilizada por niños de 8 años en adelante y por personas con alguna discapacidad física, sensorial o mental o sin la experiencia y los conocimientos necesarios en el caso de que hayan sido supervisados o recibido instrucciones sobre el uso de la máquina de manera segura y entiendan los peligros que implica. Los niños no deben jugar con la máquina. La limpieza y el mantenimiento del usuario no deben ser realizados por niños sin supervisión. El nivel de ruido en condiciones de funcionamiento normales es inferior a 75 dB (A).

La máquina solamente se debe usar con un pedal de tipo KD-1902, FC-1902 (110-120V area) / KD-2902, FC-2902A, FC-2902C, FC-2902D (220-240V area) fabricado por ZHEJIANG FOUNDER MOTOR CORPORATION LTD. (China) / 4C-316B (110-125V area) / 4C-316C (127V area) / 4C-326C (220V area) / 4C-326G (230V area) / 4C-336G (240V area) / 4C-336G (220-240V area) fabricado por Wakaho Electric Ind. Co. Ltd. (Vietnam)

FUERA DE EUROPA:

Esta máquina de coser no ha sido diseñada para ser utilizada por personas (incluyendo niños) con alguna discapacidad física, sensorial o mental o sin la experiencia y los conocimientos necesarios, salvo que hayan sido supervisados o recibido instrucciones sobre el uso de la máquina de coser por parte de

una persona responsable de su seguridad. Evite que los niños jueguen con la máquina de coser. El nivel de ruido en condiciones de funcionamiento normales es inferior a 75 dB (A).

La máquina solamente se debe usar con un pedal de tipo KD-1902, FC-1902 (110-120V area) / KD-2902, FC-2902A, FC-2902C, FC-2902D (220-240V area) fabricado por ZHEJIANG FOUNDER MOTOR CORPORATION LTD. (China) / 4C-316B (110-125V area) / 4C-316C (127V area) / 4C-326C (220V area) / 4C-326G (230V area) / 4C-336G (240V area) / 4C-336G (220-240V area) fabricado por Wakaho Electric Ind. Co. Ltd. (Vietnam)

MANTENIMIENTO DE PRODUCTOS CON DOBLE AISLAMIENTO

Un producto provisto de doble aislamiento incorpora dos sistemas de aislamiento en lugar de la toma a tierra. Los productos con doble aislamiento no incorporan ningún dispositivo de toma a tierra, ni se debe acoplar al mismo ningún dispositivo de toma a tierra. El mantenimiento de un producto con doble aislamiento requiere un gran cuidado y amplios conocimientos del sistema y sólo debe ser realizado por personal de servicio técnico especializado. Las piezas de repuesto de un producto con doble aislamiento deben ser idénticas a las piezas del producto. Los productos con doble aislamiento están marcados con las palabras “DOUBLE INSULATION” o “DOUBLE INSULATED” (DOBLE AISLAMIENTO).

INSTRUCCIÓN

Tabla de Contenido

INSTRUCCIÓN.....	2-6
Bienvenido	2
Instrucciones Importantes de Seguridad.....	3-5
Tabla de Contenido	6
1.ACERCA DE SU MÁQUINA	7-10
Partes Principales del Frente	7
Partes Principales de la Parte de Atrás.....	8
Área del Prensateles y Aguja	9
Compartimiento Removible y Accesorios.....	10
2.PREPARÁNDOSE PARA COSER.....	11-16
Encendiendo su Máquina.....	11
Devanando la Bobina.....	12
Insertando la bobina.....	13
Ensartando el Hilo Superior	14
Ensartador Automático de Aguja.....	15
Jalando el Hilo Bobina	16
3.COMENZANDO A COSER	17-26
Antes de Comenzar a Coser	17
Como se forman la Puntadas.....	18
Perilla Selectora de Puntada.....	19
Cosiendo una Puntada Recta	20
Cosiendo una puntada Decorativa.....	21
Cosiendo una Puntada Stretch	22
Coser un ojal en un solo paso.....	23
Pegando un Botón	24
Insertando y Cambiando Agujas	25
Cambiando el Prensateles.....	26
Pie De Costura Fácil	26
4.CORRECCIÓN DE FALLAS Y MANTENIMIENTO	27-32
Consejos de Corrección de Fallas	27-31
Mantenimiento.....	32
5.APÉNDICE - GLOSARIO.....	33
Glosario de Términos Usados.....	33

Explicaciones clave en este manual:



= Información útil



= Puede causar daños



= Impacta en los resultados de la costura

TPara asegurar que siempre contará con las más modernas capacidades de costura, el fabricante se reserva el derecho a cambiar la apariencia, diseño o accesorios de esta máquina de coser cuando lo considere necesario.

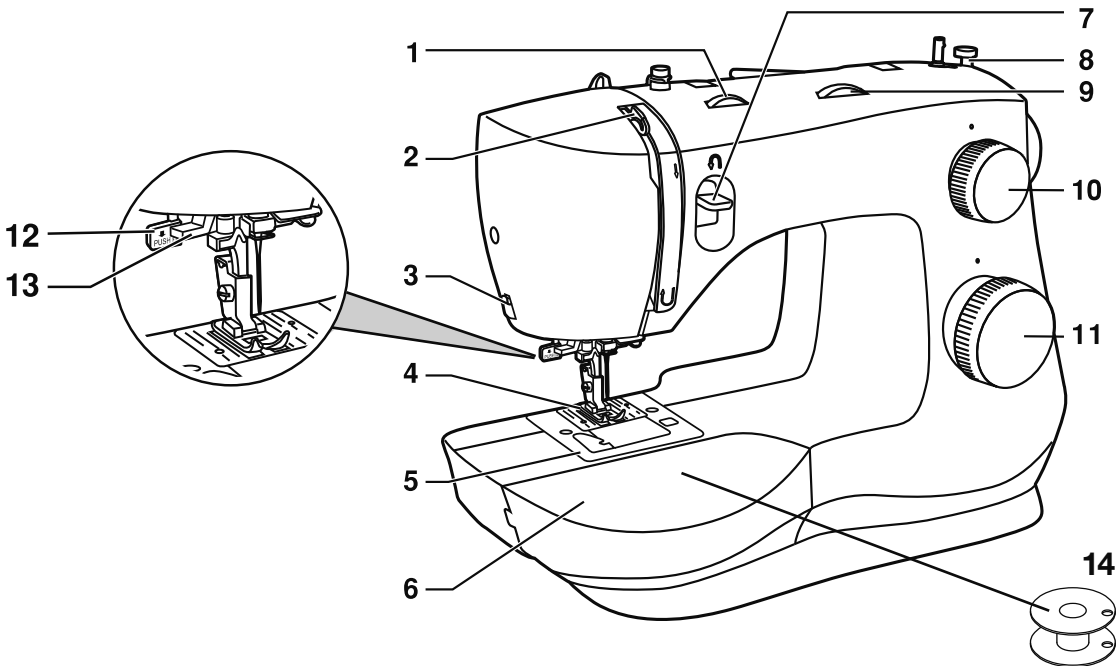
SINGER® & Singer la costura hecha fácil es una marca registrada de The **SINGER®** Company Limited o sus Afiliadas.

© 2016 The **SINGER®** Company Limited o sus Afiliadas. Todos los derechos reservados.

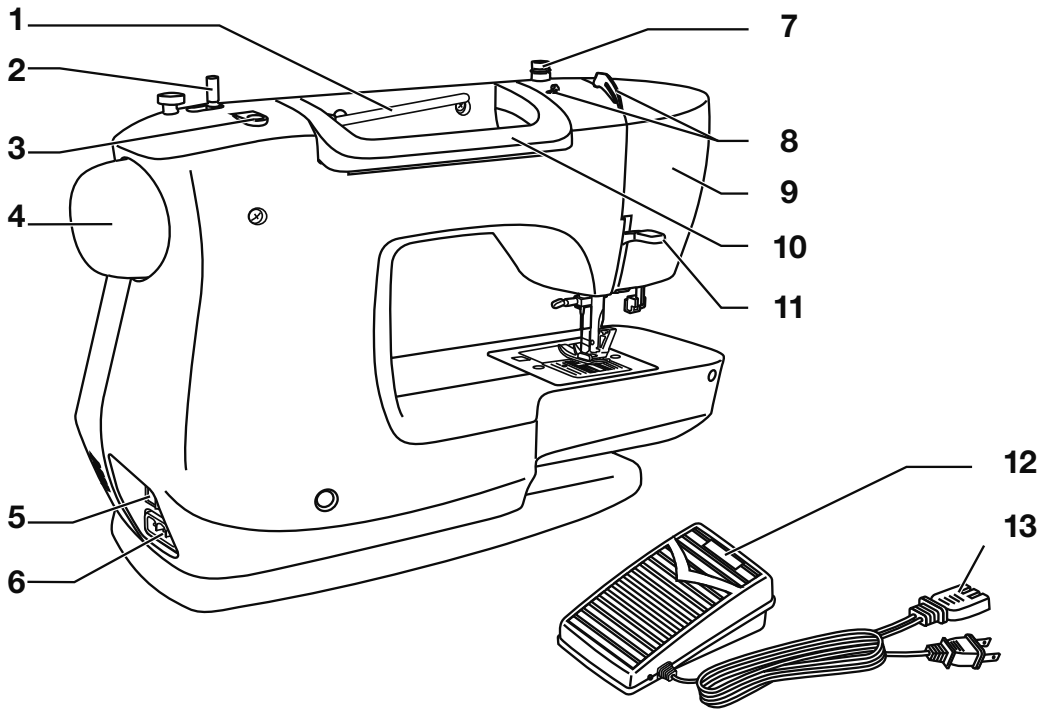
ACERCA DE SU MÁQUINA

Partes Principales del Frente

1



1. **PALANCA ENSARTADOR DE AGUJA** se usa para accionar el ensartador automático. (ver página 18)
2. **PALANCA TIRA HILO** controla el flujo del hilo superior mientras se cose (ver página 14)
3. **CORTADOR DE HILO** está localizado para cortar las hebras al final de la costura.
4. **PRENSATECLAS** sostiene la tela en el mecanismo de avance, jalando la tela debajo del pie conforme se cose. (ver página 26)
5. **PLACA AGUJA** tiene líneas guía para ayudarlo a mantener la costura recta. (ver página 9)
6. **COMPARTIMIENTO REMOVIBLE DE ALMACENAJE** proporciona una superficie plana para coser, almacenaje para accesorios y provee acceso al brazo libre. (ver página 10)
7. **PALANCA COSTURA EN REVERSA** dirección de costura en reversa, por ejemplo cuando se asegura el comienzo y final de una costura. (ver página 20)
8. **TOPE DEVANADO BOBINA** determina cuando la bobina está llena y para en automático. (ver página 12)
9. **PERILLA ANCHO PUNTADA** controla el ancho puntada, estrechándola o ampliándola. (ver página 19)
10. **PERILLA LARGO PUNTADA** controla el largo puntada, haciéndolas más cortas o largas según desee. También se usa como selección de puntada stretch. (ver página 19)
11. **PERILLA SELECTORA DE PUNTADA** muestra patrones de puntada y ajustes de ojal. (ver página 19)
12. **PALANCA PARA OJALES EN UN SOLO PASO** determina automáticamente el largo del ojal cuando se baja (ver página 23)
13. **PALANCA DEL ENSARTADOR** se utiliza para conectar en ensartador automático de aguja (ver página 15)
14. **BOBINA** sostiene el hilo que forma la puntada que aparece en la parte de atrás de la tela (ver página 12)

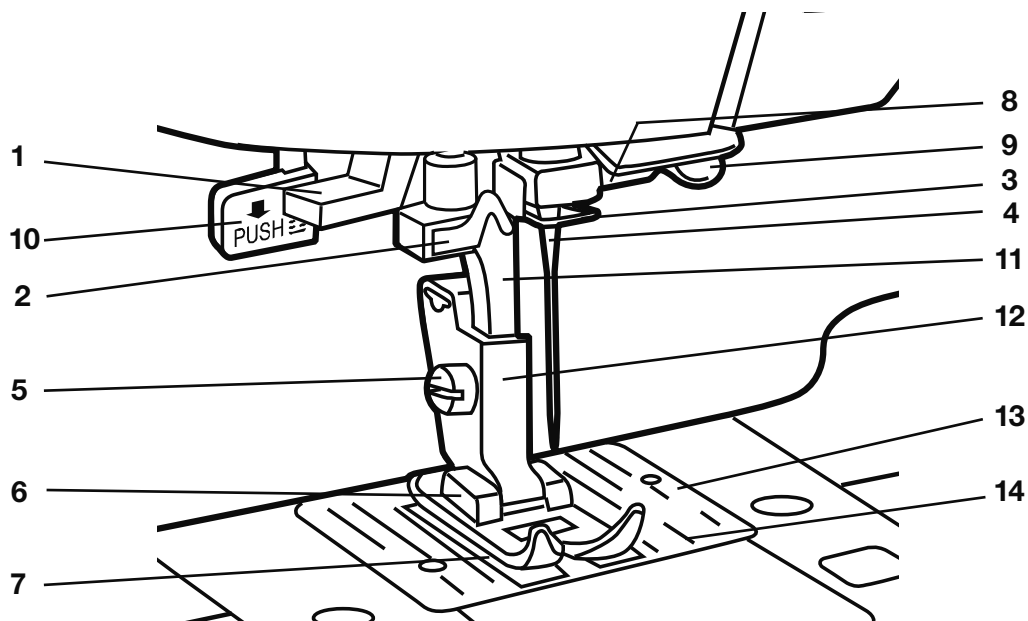


1. **PORTA CARRETE HORIZONTAL** sostiene el carrete de hilo y tapa carrete del hilo superior.
2. **EJE DEVANADOR DE BOBINA** sostiene la bobina mientras se devana. (ver página 12)
3. **ORIFICIO PARA SEGUNDO PORTA CARRETE** se usa para colocar un porta carrete adicional, para hilos en posición vertical o que usan dos hilos a la vez con aguja doble.
4. **VOLANTE (SIEMPRE GIRE HACIA USTED)** controla el movimiento de la aguja y la palanca tira hilo.
5. **INTERRUPTOR** enciende la máquina y la iluminación de forma simultánea. (ver página 11)
6. **RECEPTÁCULO CONECTOR** para conectar el cable de energía/pedal controlador. (ver página 11)
7. **DISCO DE TENSIÓN DEVANADO DE BOBINA** sostiene el hilo con firmeza para asegurar un devanado parejo y uniforme. (ver página 12)
8. **GUÍA HILO SUPERIOR** ayuda a mantener el flujo de hilo durante la costura. (ver página 14)
9. **PLACA FRONTAL** alberga y protege el mecanismo interior de la máquina.
10. **ASA** se usa para levantar y transportar la máquina.
11. **ELEVADOR PRENSATELAS** levanta y baja el prensateclas. Arriba para ensartar la máquina y abajo para coser. (ver página 14)
12. **PEDAL CONTROLADOR** controla la velocidad de costura mediante la presión aplicada. (ver página 11)
13. **CABLE** conecta la máquina con la fuente de alimentación. (ver página 11)

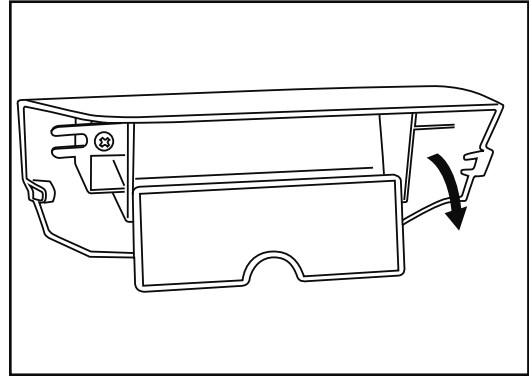
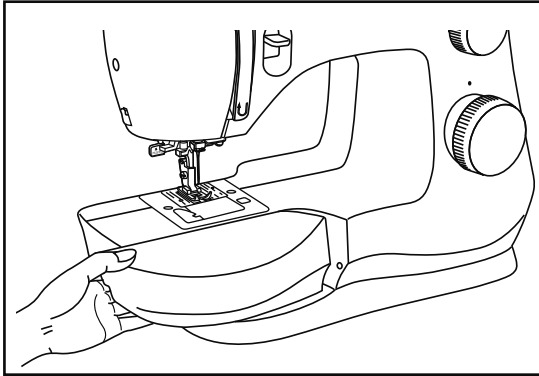
ACERCA DE SU MÁQUINA

Área del Prensatelas y Aguja

1



1. **PALANCA ENSARTADOR AGUJA** se usa para accionar el ensartador automático.
2. **GUÍA ENSARTADOR AGUJA** sostiene el hilo con firmeza antes de colocarlo en el gancho.
3. **GUÍA HILO** controla el movimiento del hilo superior.
4. **AGUJA** sostiene el hilo durante la formación de la puntada.
5. **TORNILLO PRENSATELAS** asegura el sujetador prensatelas (zanco) en la barra presionadora.
6. **PRENSATELAS** sostiene la tela contra los impelentes cuando se cose. Hay varios prensatelas dependiendo la tela a coser y las técnicas de costura. (ver página 10)
7. **IMPELENTES (O DIENTES DE AVANCE)**, parecen hileras de dientes debajo del prensatelas, controlan el movimiento de la tela debajo del prensatelas.
8. **SUJETA AGUJA** sostiene la aguja de la máquina en posición.
9. **TORNILLO SUJETA AGUJA** asegura la aguja cuando se coloca en el sujetador de la aguja.
10. **EL OJALADOR EN UN SOLO PASO DETERMINA AUTOMATICAMENTE LA LONGITUD DEL OJAL CUANDO SE BAJA.** (ver página 23)
11. **BARRA PRESIONADORA** acomoda el sujetador prensatelas.
12. **SUJETA PRENSATELAS (ZANCO)** sostiene el prensatelas.
13. **PLACA AGUJA** cubre el área de la bobina y provee una superficie plana para la costura.
14. **LÍNEAS GUÍA PUNTADA** se usan como referencia visual para guiar la tela mientras se cose. La primera línea es 3/8" (10mm) de la posición centro de la aguja. Las medidas de tolerancia de costura más populares son 1/2" (13mm) y 5/8" (16mm). La tolerancia de 1/2" es la 2da línea y la tolerancia de 5/8" es la tercera línea.

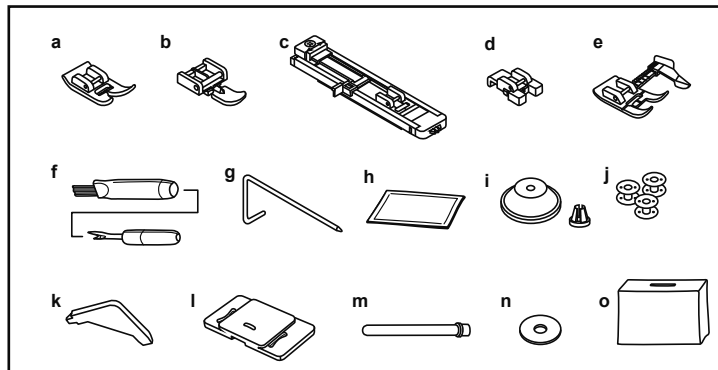


Sostenga horizontalmente el compartimiento, luego jale hacia la izquierda para removerlo de la máquina. Al hacerlo, tendrá acceso al brazo libre, que le facilita coser proyectos tubulares como dobladillos o mangas. Adicionalmente, hallará guardados ahí los accesorios de la máquina (ver Abajo).

Para colocar de nuevo el compartimiento, sosténgalo como se muestra y luego empújelo a la derecha. Esta máquina viene con varios tipos de prensatelas y accesorios.

Accesorios Estándar Incluidos:

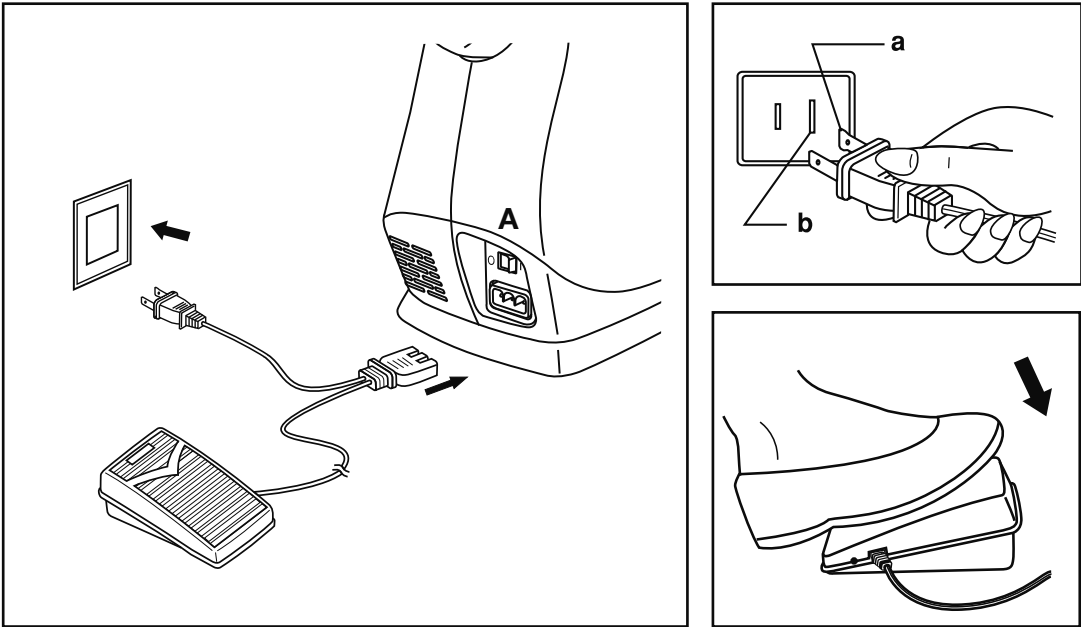
- a. Pie de Uso Múltiple (para costura general)
- b. Pie de la Cremallera (para insertar una cremallera)
- c. Pie para Ojales (para hacer ojales)
- d. Pie Pega Botones (para pegar botones)
- e. Pie de Costura Fácil (para coser las unions de tela con más precisión) ESTE ARTÍCULO ADICIONAL no se incluye con máquinas vendidas en algunas regiones y puede ser un accesorio opcional. Para información SOBRE COMPRAR DE ESTE ARTÍCULO, VAYA A WWW.SINGERCO.COM.
- f. Descosedor/Brocha (quita puntadas/cepilla residuos)
- g. Guía de Acolchar Borde (para acolchar recta y precisa)
- h. Paquete de Aguja (aguja de remplazo)
- i. Sujeta Carretes (2 tamaños para diferentes estilos de carretes de hilo)
- j. Bobinas (**SINGER®** Clase 15 bobinas transparentes)
- k. Destornillador en L (para quitar la placa para limpieza)
- l. Placa de Zurcido (cubierta para el impelente)
- m. En Segundo Pasador de Carrete (para coser con una aguja doble opcional)
- n. Portacarrete Sintió (para amortiguar el carrete de hilo)
- o. Oubierta para Máquina (para proteger su máquina)



Accesorios Opcionales:

Para información acerca de prensatelas adicionales, aditamentos y accesorios que puedan estar disponibles para su máquina, visite www.singerco.com.

Encendiendo su Máquina



Conecte la máquina a una fuente de poder. Esta máquina tiene un enchufe polarizado que debe entrar en un tomacorriente polarizado. (a y b)

⚠ Desconecte el cable de energía cuando la máquina no esté en uso.

Pedal Controlador

El pedal controlador regula la velocidad de costura. Cuando el pedal es desconectado, la máquina no podrá operar.

Iluminación para Coser

Coloque el interruptor principal (A) en " I " para encender la máquina y encender la luz.

⚠ En una máquina con una clavija polarizada (una pata es más ancha que la otra). Para reducir el riesgo de choque eléctrico, esta clavija entra en un tomacorriente polarizado de una sola forma. Si no entra en el tomacorriente, dele la vuelta. Si aún así no entra, contacte a un electricista calificado para que instale un tomacorriente polarizado. No modifique en ninguna forma la clavija.

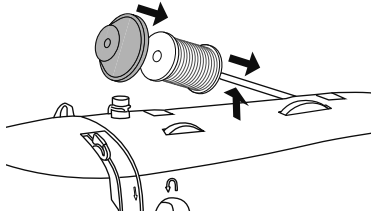
⚠ Su máquina de coser **SINGER**® se ha ajustado para ofrecer el mejor resultado de puntada con una temperatura ambiente normal. El calor y el frío extremos pueden afectar al resultado de la costura.

Devanando la Bobina

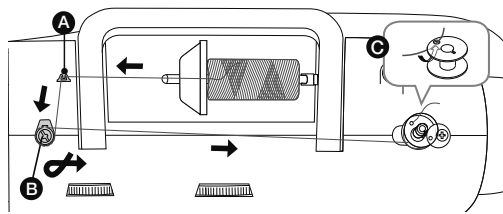


Esta máquina usa bobinas transparentes **SINGER®** Clase 15.

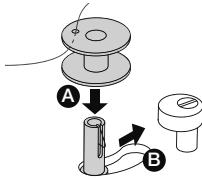
Use sólo este tipo de bobina cuando compre bobinas adicionales para su máquina. No las sustituya por bobin de metal.



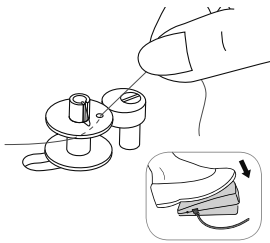
1. Coloque el carrete de hilo y el sujeta carrete correspondiente en el poste. El porta carrete debe ser lo suficiente grande para cubrir el extremo del carrete de modo que el hilo se desenrolle con suavidad. Para carretes más pequeños, use la tapa carrete pequeña, que está en el compartimiento removible.



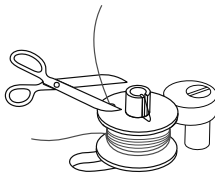
2. (A) Coloque el hilo en la guía arriba de la máquina. (B) Coloque el hilo con firmeza alrededor del disco de tensión de devanode bobina para asegurar que el hilo se devane en la bobina d orma consistente y uniforme. (C) Ensarte la bobina, luego colóquela el eje de devanado.



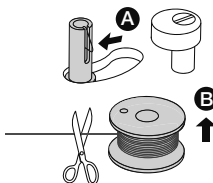
3. Revise que la bobina se coloque con firmeza hacia abajo (A). Si no, el hilo puede comenzar a devanarse debajo de la bobina. Presione la bobina y el eje con firmeza a la derecha (B).




4. Sostenga el extremo del hilo para comenzar a devanar. Pise suavemente el pedal mientras sostiene el extremo del hilo. Permita devanar unas cuantas vueltas, luego detenga.

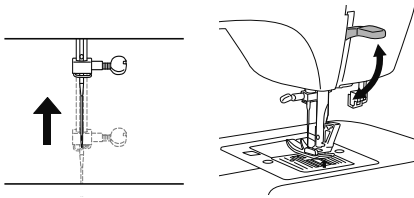


5. Corte el extremo del hilo cerca de la parte superior de bobina, luego finalice pisando el pedal controlador.

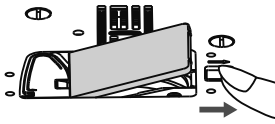


6. La bobina dejará de devanarse cuando se llene. Suelte el pedal. Presione la bobina hacia la izquierda (A), luego corte el hilo (B).

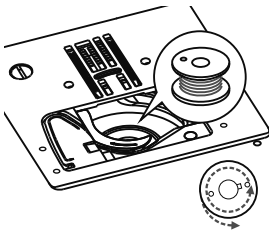
 Apague la máquina antes de insertar o remover la bobina.



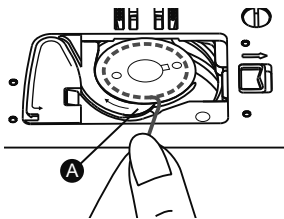
1. Al insertar o extraer la bobina, la aguja y el prensatelas se deben levantar.



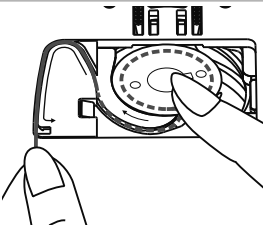
2. Empuje el pestillo en la tapa de la bobina hacia la derecha y retire la tapa de la bobina.



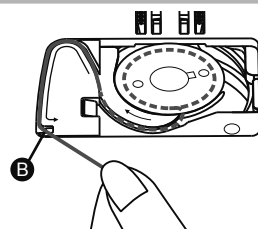
3. Coloque la bobina en la caja bobina asegurándose de que el hilo corre en sentido contrario a las manecillas del reloj, como se muestra en la ilustración.



4. Tire del hilo en la muesca (A).



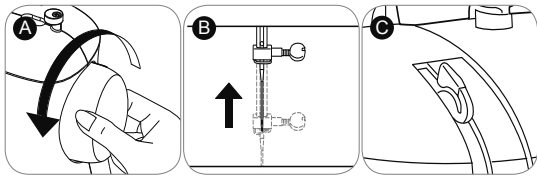
5. Con una mientras presiona la parte superior de la bobina, colocar el hilo en las guías como se muestra.



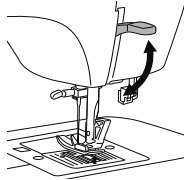
6. Para cortar el hilo sobrante, tire de él hacia usted para córtalo con el cortador en pont (B). Vuelva a insertar la tapa de la bobina.

Ensartando el Hilo Superior

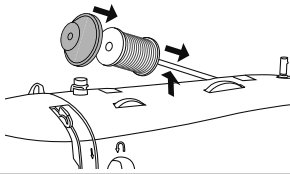
⚠ Por seguridad, apague la alimentación antes de ensartar la máquina.



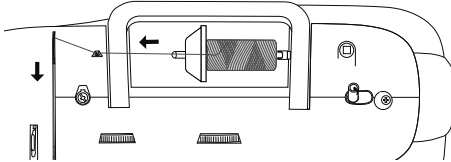
1. Comience girando el volante (A) hacia usted para levantar la aguja (B) y la palanca tira hilo (C). Debe poder ver la palanca tira hilo.



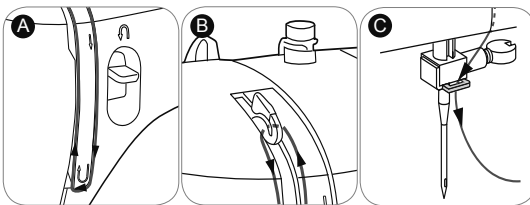
2. ➡ **IMPO Levante el alza prensatelas.** Esto es necesario para que la máquina sea ensartada correctamente.



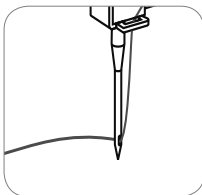
3. Coloque el carrete de hilo y tapa carrete en el porta carrete.



4. jale el hilo de carrete por la guía hilo superior en la parte superior de la máquina. Sostenga el hilo con ambas manos y jálolo hacia la guía de pretensión.



5. (A) Jale el hilo hacia el canal derecho, alrededor de la vuelta U, y hacia el canal izquierdo. (B) **IMPORTANTE:** En la parte superior del canal izquierdo, enganche el hilo desde atrás al frente por el ojo ranurado de la palanca tira hilo. Si el hilo no pasa por el ojo del tira hilo, la máquina se atascará. Después de ensartar el tira hilo, pase el hilo hacia abajo de nuevo. (C) Pase el hilo detrás del guía hilos de metal y luego hacia abajo a la aguja.




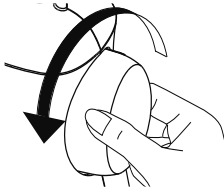
6. Si desea ensartar manualmente la aguja, ensartela desde el frente hacia atrás. Jale de 6-8 pulg. de hilo hacia atrás más allá del ojo de la aguja. También, puede usar el Ensartador Automático para ensartar el ojo de la aguja. (ver página 15).

PREPARÁNDOSE PARA COSER

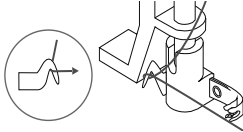
Ensartador Automático de Aguja

2

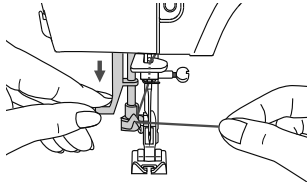
 Por seguridad, apague la máquina antes de usar el ensartador automático.



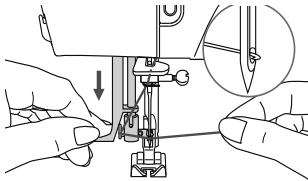
1. Levante la aguja a su posición más alta girando el volante hacia usted. Si gira el volante hacia atrás, la máquina se atascará cuando comience a coser.



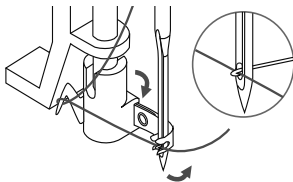
2. Pase el hilo alrededor de la guía del hilo.



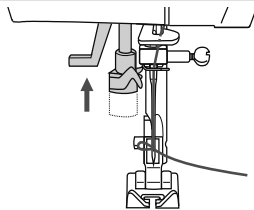
3. Presione la palanca hacia abajo tanto como sea posible.



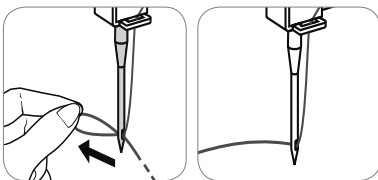
4. El mecanismo del ensartador bascula automáticamente a la posición de enhebrado.




5. Coloque el hilo alrededor de la guía en la izquierda y luego pase el hilo debajo del perno gancho.



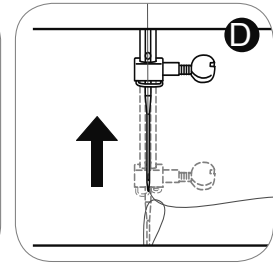
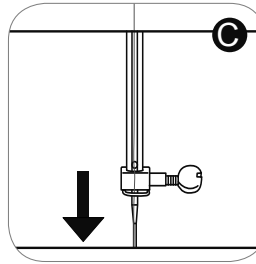
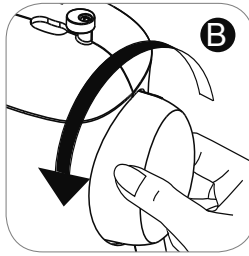
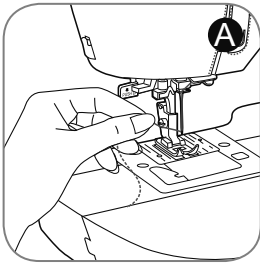
6. Libere la palanca del ensartador y el extremo del hilo al mismo tiempo. El perno gancho se moverá hacia atrás, creando un bucle de hilo en el lado de atrás de la aguja.



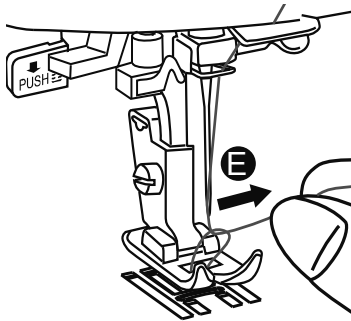
7. Jale el bucle por el ojo de la aguja hasta que el extremo del hilo pase por la aguja.

 Jale cerca de 6-8 pulg. hacia atrás más allá del ojo de la aguja. Esto ayudará a evitar que la aguja se desensarte cuando comience a coser.

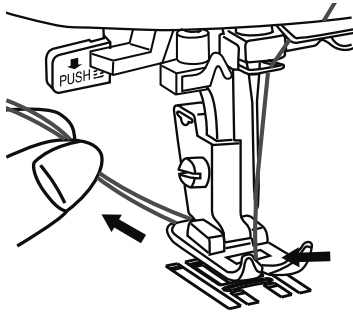
⚠ PRECAUCIÓN: Por seguridad, apague la máquina antes de ensartar la máquina.



1. Sostenga el extremo del hilo superior con la mano izquierda (A). Gire el volante hacia usted (B), bajando primero (C) y luego levantando la aguja (D).



2. Conforme gira el volante, jale suavemente el hilo superior, el cual jalará un bucle por el orificio de la placa aguja (E). Jale el bucle para traer el hilo bobina por la apertura en la placa aguja. Si no sale un bucle, gire el volante hacia usted una vez más. Si aún no aparece, revise que el hilo de la bobina no esté atorado con la cubierta de la bobina.



3. Lleve ambos extremos debajo del prensatelas y hacia la parte de atrás de la máquina.

Ahora que su máquina está ensartada, le mostraremos como configurar la máquina para las técnicas básicas de costura, tales como: coser puntada recta, coser puntada decorativa, coser puntada stretch, hacer un ojal y pegar un botón. Con cada técnica, tendrá la oportunidad de seguir cosiendo.

Para más información sobre las diferentes puntadas en su máquina y como usarlas, refiérase a la **Guía de Referencia de Puntadas**, visite www.singerco.com.

He aquí unos consejos que puede encontrar útiles antes de comenzar.

Cuando desempaque la máquina, puede haber ciertos rastros de aceite en la placa aguja o área del prensatelas. Si es así, limpie el exceso de aceite con un paño suave y seco antes de comenzar a coser.

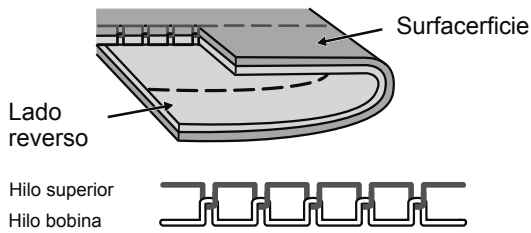
El pedal controlador se usa para regular la velocidad de costura. Cuando presiona el pedal, la máquina coserá. Entre mayor la presión que aplique al pedal, más rápido coserá la máquina. Cuando quite el pie del pedal controlador, la máquina se detendrá.

Las agujas son parte importante de la costura. Usar agujas incorrectas, viejas o dañadas para sus proyectos puede afectar los resultados. Para información sobre que aguja usar para su proyecto, refiérase a la Guía de Referencia de Puntadas en visite www.singerco.com. Para información de cómo cambiar la aguja, vea la página 25.

Dependiendo de la técnica de costura que desee, puede ser necesario cambiar el prensatelas. Para información sobre como hacer esto, consulte la página 26.

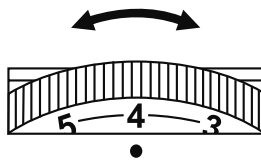
Revise la página sobre Formación de Puntada (ver página 18). Esto le ayudará a darse una idea de como lucirá la puntada cuando la cosa.

Use el cortador de hilo en la máquina (ver página 7) para cortar los extremos de hilo. Esto es útil ya que las hebras de hilo se dejan lo suficiente largas de modo que la aguja no se desensarte cuando comience a coser de nuevo.



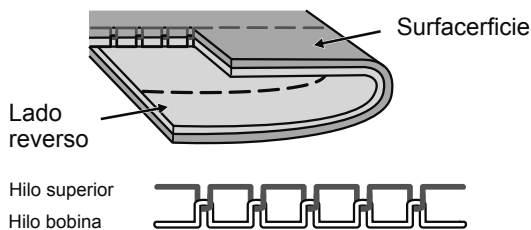
1. Cómo se forman las puntadas

Las puntadas se forman cuando el hilo superior y el hilo bobina se enganchan entre las capas de tela. La puntada está bien balanceada cuando el hilo aguja aparece en la parte superior y el hilo bobina aparece en la parte de abajo.



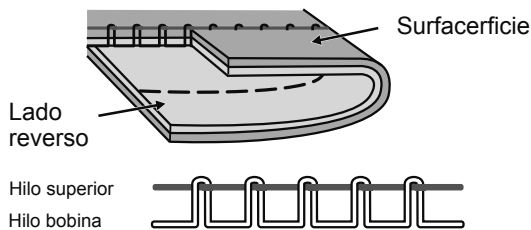
2. Perilla Tensión de Hilo

La tensión del hilo bobina tiene un rango de ajuste entre 0 y 9. La mayoría de las costuras se harán con la tensión entre 3 y 5. Puede ajustarse a un número mayor para más tensión en el hilo superior, si el hilo superior parece flojo. Puede ajustar a un número inferior para menos tensión en el hilo superior, si el hilo bobina parece mostrarse en el lado superior de la tela.



Ajustando la tensión

La tensión de hilo puede ajustarse también para diferentes técnicas de costura. Para hilvanado (ver apéndice), puede aflojarla a un número inferior de modo que las puntadas puedan quitarse con facilidad. Para plisado puede girarla a un número más alto.

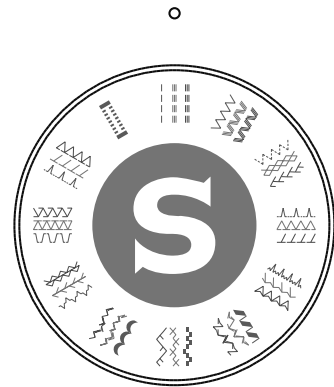
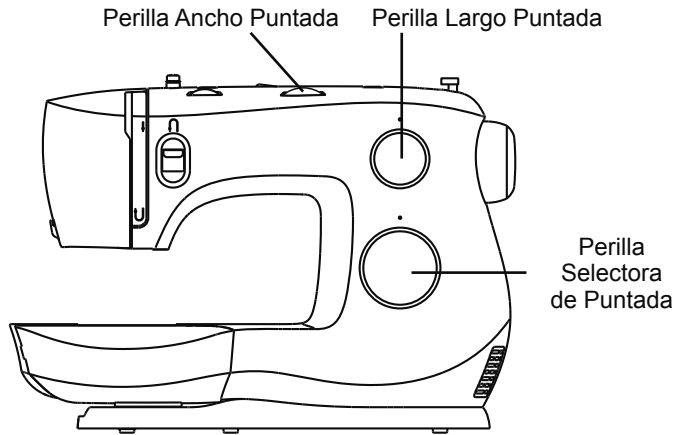


3. ➔ Cuando cose, si ve grandes bucles en la parte inferior de la tela, es realmente una indicación que el hilo superior no se ha ensartado correctamente y que no hay control de la tensión. Para información de como corregir esto, consulte Corrección de Fallas y Mantenimiento en este manual.

COMENZANDO A COSER

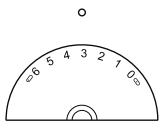
Perilla Selectora de Puntada

3



La perilla Selectora de Puntada se usa para elegir la puntada que desea coser. La perilla puede girarse a la izquierda o a la derecha.

Para coser Patrones de Puntada Gris:



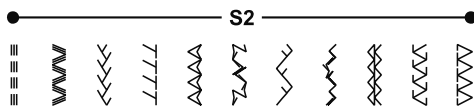
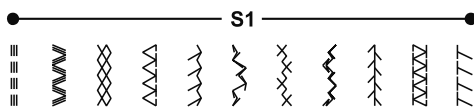
Perilla Ancho Puntada



Perilla Largo Puntada

1. Gire la Perilla Selectora de Puntada hasta que escuche un clic debajo de la abajo del punto directamente por encima de la línea en la parte frontal de la máquina.
2. Ajuste la Perilla Largo de Puntada según el largo que desee. Puede ajustarse entre el 0.5 y el 4, donde el 4 es el ajuste más largo.
3. Para puntada recta, la Perilla Ancho Puntada debe estar en la marca localizada en la Perilla de Ancho Puntada 0 o 6.

Para coser Patrones de Puntada Azules & o Rojo:



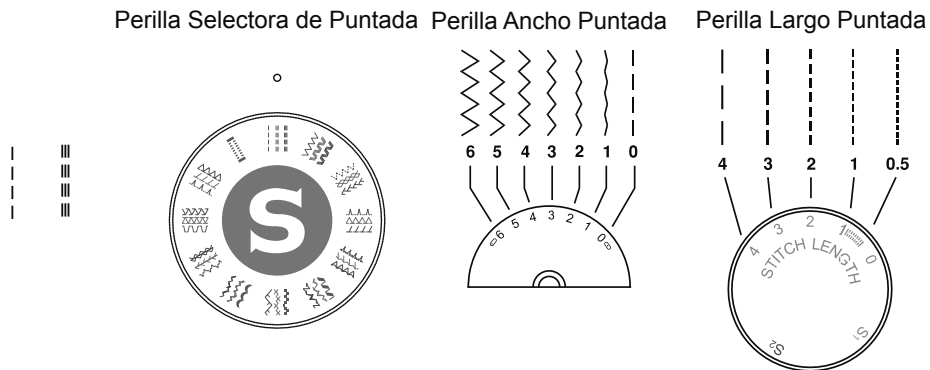
Perilla Ancho Puntada



Perilla Largo Puntada

1. Gire la perilla Selectora de Puntada hasta que escuche un clic abajo del punto directamente por encima de la línea en la parte frontal de la máquina.
2. Ajuste el selector de largo de puntada de manera que el S1 o S2 se alineen con el punto por encima de esta línea. Este selector debe estar en la S1 para marcar las puntadas azules o S2 para marcar las puntadas rojas, o el patrón de costura no coserá.
3. Coloque la Perilla Ancho Puntada en un ajuste amplio (4-6). Si desea, puede elegir un ajuste más bajo, dependiendo la apariencia que desee lograr.

Para ejemplos de patrones de puntada y más instrucciones, consulte las Guías de Referencia de Puntadas en visite www.singerco.com.

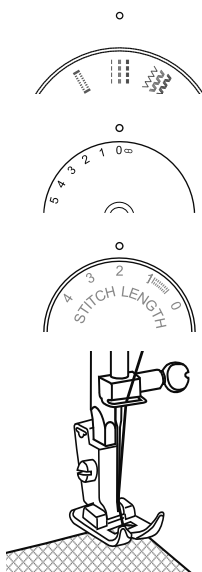


Una puntada recta se usa para costura normal y pespunte.

CÓMO HACERLO:

1. Coloque la máquina para Puntada Recta con la Perilla Selectora de Puntada Recta (ver página 19)
2. Coloque la Perilla Ancho Puntada a 0 para la posición central de la aguja. (ver página 19)
3. La Perilla Largo Puntada puede ajustarse en el largo puntada que desee. (ver página 19)

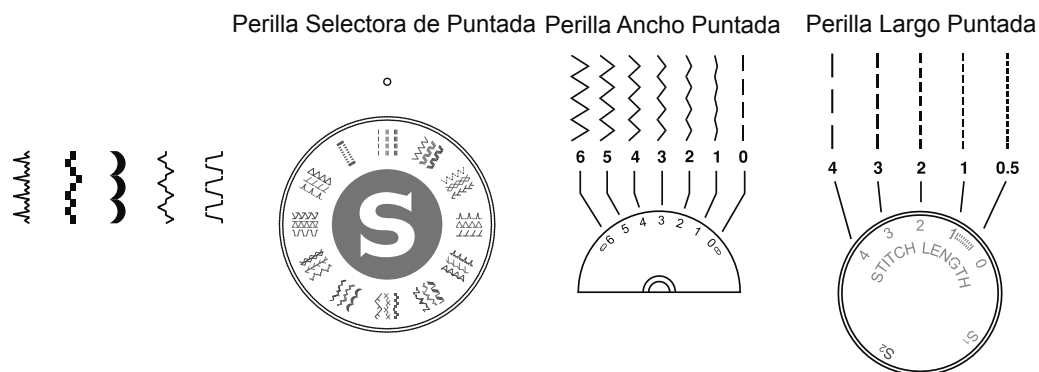
COSIENDO:



1. Coloque la Perilla Selectora de Puntada, de modo que los símbolos de puntada recta estén justo abajo del punto.
2. Coloque la Perilla Ancho de Puntada para que el número 0 se encuentre justo delante del punto en la parte superior de la máquina.
3. Coloque la Perilla Largo Puntada de modo que el número 2 esté directamente debajo del punto de la máquina. Este es un ajuste de largo de puntada promedio para costura regular o habitual.
4. Coloque la tecla debajo del prensatelas multipropósito o el Pie Fácil a Coser (ver página 26) con el borde derecho de la tela alineado con la guía de costura deseado en el lado derecho de la placa aguja. Baje el prensatelas, pise entonces el pedal para comenzar a coser. Asegúrese siempre que el prensatelas esté abajo antes de comenzar a coser. Si no lo hace, la máquina se atascará cuando cosa. Inicie cosiendo 2 o 3 puntadas. Presione la palanca de reversa para coser 2 o 3 puntadas, lo que asegurará la costura de modo que no se deshilache. Suelte la palanca reversa para coser de nuevo hacia el frente. Continúe cosiendo. Presione la palanca reversa al final de costura para coser 2 o 3 puntadas. Suelte la palanca y cosa al frente de nuevo para terminar.

- ✓ Use un largo puntada mas corto para telas delgadas, e hilos finos. Use un largo puntada más largo como 3 o 4 para telas gruesas.
- ✓ Puede ser útil sostener un poco los extremos del hilo con la mano izquierda para las primeras puntadas, esto ayudará a guiar la tela debajo del pie mientras comienza a coser.
- ✓ Si prefiere la aguja colocada a la izquierda, la posición de la aguja puede ajustarse moviendo el ancho de puntada giratorio hacia 6. Configuración de la directa hacia 0 hará que se mueva hacia el centro y hacia la 6 se moverá hacia la izquierda.

Cosiendo una puntada Decorativa

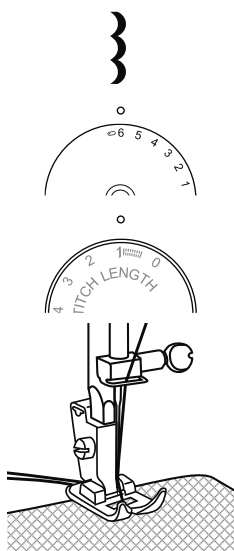


Una puntada decorativa se usa para embellecer costuras y añadir estilo a sus proyectos de costura. (Vaya a www.singerco.com para ver otras puntadas decorativas que pueden ser usadas).

CÓMO HACERLO:

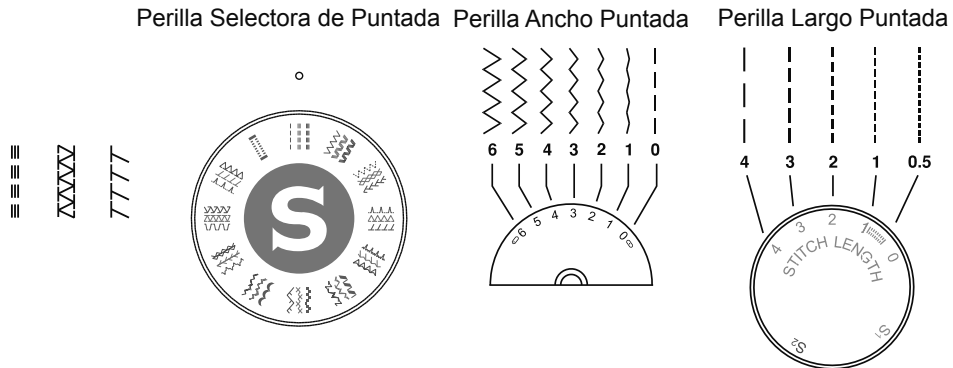
1. Coloque la máquina en la puntada deseada colocando la Perilla Selectora de Puntada en una de las puntadas decorativas (ver página 19)
2. Coloque la Perilla Ancho Puntada entre 2 y 6 dependiendo de que tan ancho desea que sea su puntada (ver página 19)
3. Coloque la Perilla Largo Puntada entre 0.5 y 3 (ver página 19)

COSIENDO: Puntada Media Luna



1. Coloque la Perilla Selectora de Puntada, de modo que el símbolo de media luna esté directamente debajo del punto.
2. Coloque la Perilla Ancho de Puntada para que el número 6 se encuentre justo delante del punto en la parte superior de la máquina.
3. Coloque la Perilla Largo Puntada de modo que el número 1 esté debajo del punto de la máquina.
4. Coloque la tela debajo del Pie Multipropósito con el borde derecho de la tela alineado con la guía de costura deseado en el lado derecho de la placa aguja. Baje el prensatelas, luego pise el pedal para iniciar la costura. Cosa 2 o 3 puntadas y luego cosa en reversa (ver página 20) para reforzar la costura.

- ✓ Use entretela (ver Apéndice) en el reverso de la tela si se arruga o frunce cuando cose. La puntada decorativa puede usarse casi en cualquier proyecto.
- ✓ Puede ser útil reducir la tensión superior 1 o 2 números cuando cosa puntadas decorativas. Esto ayudará a evitar que el hilo bobina aparezca en la parte de arriba cuando cosa puntadas más densas.

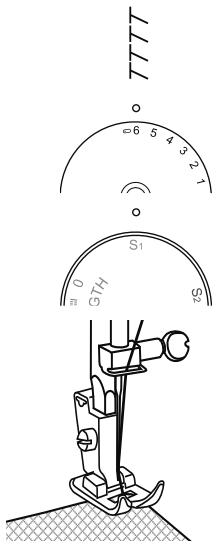


Una puntada stretch se usa para tejidos de punto. Este tipo de costura se estirá con la tela. (Vaya a www.singerco.com para ver otras puntadas elásticas que pueden ser usadas)

CÓMO HACERLO:

1. Coloque la máquina en la puntada deseada con el Selector de Puntada a una de las puntadas stretch (ver página 19)
2. Coloque la Perilla Ancho Puntada entre 2 y 6 dependiendo de que tan ancho desea que sea su puntada (ver página 19)
3. Coloque la Perilla Largo Puntada en el ajuste Stretch S1 para las puntadas azules o S2 para las puntadas rojas. (ver página 19)

COSIENDO: Puntada Sobr e borde

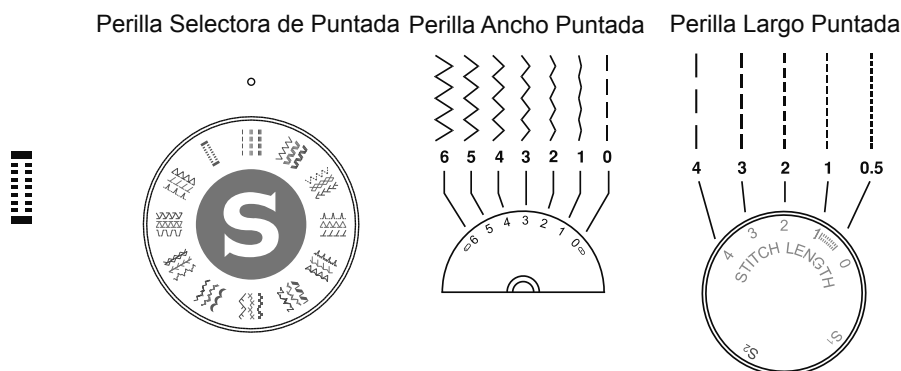


1. Coloque el Selector de Puntada, de modo que el símbolo de Sobr e borde esté directamente abajo del punto.
2. Coloque la Perilla Ancho de Puntada para que el número 6 se encuentre justo delante del punto en la parte superior de la máquina.
3. Coloque la Perilla Largo Puntada de modo que la selección S1 esté ubicado debajo del punto.
4. Coloque la tela debajo del pie multipropósito con el borde derecho de la tela alineado con la línea guía de costura deseado en el lado derecho de la placa aguja. Baje el prensatelas, luego pise el pedal para iniciar la costura. Cosa 2 a 3 puntadas y luego una puntada de refuerzo (ver página 20) para reforzar la costura.

COMENZANDO A COSER

Coser un ojal en un solo paso

3

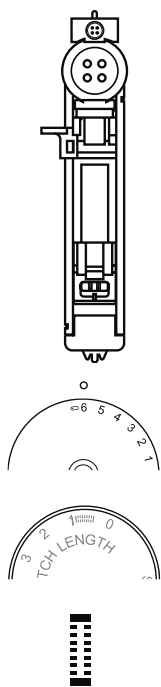


Esta máquina tiene una característica para hacer ojales, permitiéndole hacer ojales en un sencillos paso. La Perilla Selectora de Puntada muestra los ajustes de ojal en gris.

CÓMO HACERLO:

1. Coloque la máquina en la puntada deseada con la Perilla Selectora de Puntada en la puntadas de ojales. (ver página 19)
2. Coloque la Perilla Ancho de Puntada en el ajuste más amplio 6 (ver página 19)
3. Coloque la Perilla Largo Puntada dentro del rango del ojal. (ver página 19)

COSIENDO: Puntada de Ojal

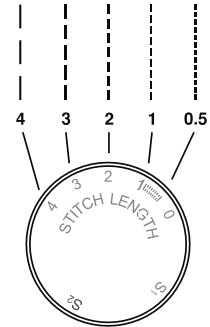
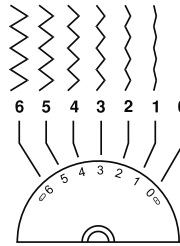
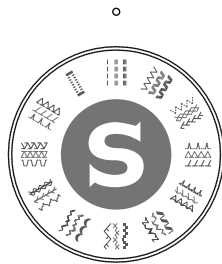
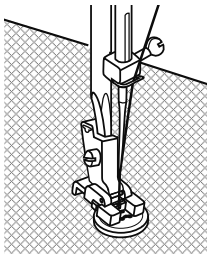


1. Coloque el botón en la parte de atrás del prensatelas de ojal. Marque la posición y el largo del ojal en la tela.
2. Retire el prensatelas universal y coloque el prensatelas de ojal (Ver página 26). Pase el hilo superior a través del orificio del prensatelas y jale el hilo a la izquierda.
3. Ajuste el selector de puntada hasta que el símbolo de ojal esté directamente debajo del punto.
4. Coloque la Perilla Ancho de Puntada para que el número 6 se encuentre justo delante del punto en la parte superior de la máquina.
5. Coloque el selector de largo de puntada para que el rango del ojal esté directamente debajo del punto.
6. Coloque la tela debajo del prensatelas centrando la línea marcada en su tela, cuide que esté alineada en el centro del prensatelas para ojal y que la línea marcada cruce en el orificio del centro del prensatelas. Baje el prensatelas.
7. Jale la palanca de ojal hacia abajo hasta el fondo y cuidadosamente empuje hacia un lado. La palanca para ojal se debe ubicar en el frente de la marca localizada a la izquierda del prensatelas para ojal.
8. Sostenga el hilo superior suavemente y comience a coser hasta que el ojal esté completo.
9. Regrese la palanca del ojalador a su posición original una vez que todos los ojales estén completos.

- Use entretela debajo de la tela para dar soporte a la puntadas.
- El reducir ligeramente la tensión superior en 1 o 2 números mejorará los resultados.
- Siempre costura de prueba en un trozo de tela.
- Para asegurar colas de hilo, utilice aguja de la mano para traer hilo superior hacia atrás y de atar.

23

Perilla Selectora de Puntada Perilla Ancho Puntada Perilla Largo Puntada

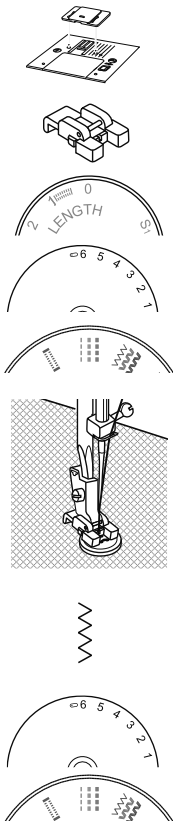


Esta máquina incluye un pie de pegado de botones que le permite pegar botones en sus proyectos fácil y rápido.

CÓMO HACERLO:

1. Coloque la máquina en puntada recta colocando la Perilla Selectora en (ver página 19)
2. Coloque la Perilla Ancho Puntada a 6 para empezar, esto va a colocar la aguja hacia la izquierda. (ver página 19)
3. Coloque la Perilla Largo Puntada en 0 para comenzar. (ver página 19)


COSIENDO: Pegando un Botón



1. Coloque la Placa de Zurcido a la placa aguja directamente bajo el prensatelas. Para hacerlo alinee las puntas debajo de la Placa de Zurcido con los orificios en la placa aguja. Empuje para asegurarla en su sitio.
2. Quite el prensatelas general y coloque el Pie de Pagado de Botones. Ver página 26).
3. Coloque la Perilla Largo Puntada de modo que el número 0 este debajo del punto.
4. Coloque la Perilla Ancho de Puntada para que el número 6 se encuentra justo delante del punto en la parte superior de la máquina.
5. Coloque la Perilla Selectora, de modo que el símbolo de puntada recta este debajo del punto.
6. Coloque el botón en la tela, luego alinee el botón debajo del frente de Pie para Botones de modo que aparezcan los dos orificios del botón en el frente del pie. Gire el volante para que la aguja libre el orificio de la izquierda. Pise el pedal y cosa 3 a 4 puntadas. Levante la aguja fuera de la tela.
7. Coloque la Perilla Selectora, de modo que el símbolo Zig Zag esté debajo del punto. Ajuste el selector hasta que la aguja se mueva del orificio de la izquierda al orificio de la derecha del botón sin interferencia. Para probar el movimiento de la aguja gire el volante manualmente hacia usted varias veces para estar seguro de que la aguja no golpee el botón.
8. Coloque la Perilla Ancho de Puntada para que el número 6 se encuentra justo delante del punto en la parte superior de la máquina.
9. Coloque la Perilla Selectora de modo que el símbolo de puntada recta esté debajo del punto.
10. Cosa 3 o 4 puntadas para asegurar la costura.



Insertando y Cambiando Agujas

 Apague la máquina antes de cambiar la aguja.

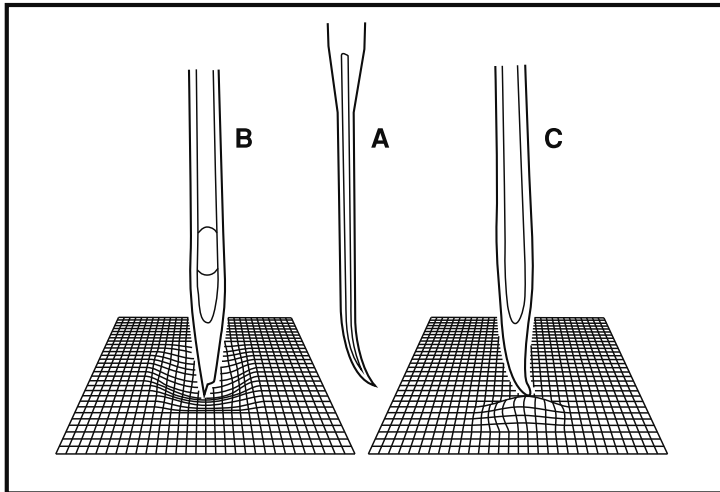
Cambie la aguja con regularidad, especialmente si muestra signos de desgaste que resultan en problemas. Las agujas pueden mostrar signos de desgaste cuando ve rasgones en la tela o escucha un ligero sonido “pop” mientras cose.

Si la aguja se dobla (A), la punta se daña (B) o la aguja se mella (C), debe reemplazarla con una nueva aguja y desechar la vieja.

Generalmente, la aguja debe reemplazarse cada 4 proyectos o aproximadamente cada 16 horas de tiempo de costura.

También es importante usar el tipo correcto de aguja para la tela que este cosiendo (Vaya a www.singerco.com para ver la guía de puntadas)

Para mejores resultados, use agujas **SINGER®** en su máquina de coser **SINGER®**.

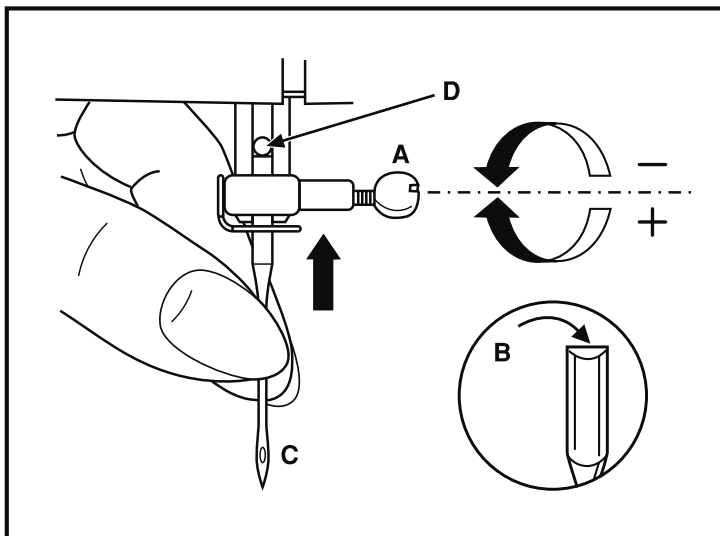


Afloje el tornillo sujeta aguja (A) girando el tornillo hacia usted.

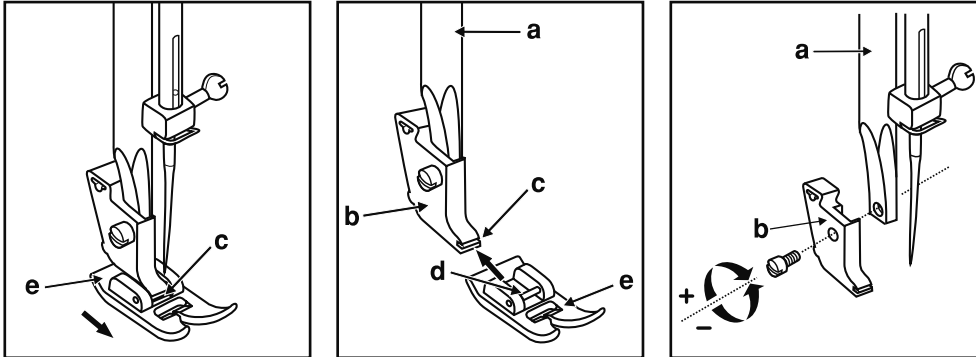
Inserte la nueva aguja, asegurándose que el lado plano de la parte superior de la aguja está hacia la parte de atrás de la máquina (B).

Inserte la nueva aguja hasta el fondo (C).

Apriete el tornillo sujeta aguja (A) con firmeza girándolo hacia atrás.



⚠️ Apague la máquina antes de cambiar el prensateles.



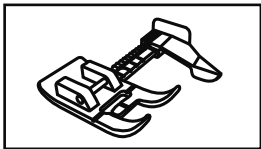
Antes de cambiar el prensateles, levante el alza prensateles. El sujeta prensateles (b) está sujeto a la barra presionadora (a). El prensateles (e) tiene un perno (d) que une con el sujeta prensateles, algunas veces llamado zanco (b). El zanco tiene una ranura (c) en el frente, el cual se conecta al prensateles.

Para quitar el prensateles del zanco, hale el prensateles (e) en dirección a usted para desprenderlo de su ranura (c). El pie se liberará. Para sujetar un prensateles al zanco, deslice el pin (d) del prensateles (e) por la ranura (c) del zanco. El pie se enganchará.

Algunos prensateles opcionales requieren que quite el zanco de la máquina. Para quitar el zanco de la máquina (ver arriba), afloje y quite el tornillo que sostiene el prensateles en la barra presionadora (a), entonces puede quitar el zanco (b). Para colocar de nuevo el zanco, colóquelo en la barra presionadora, luego ponga de nuevo el tornillo.

➡️ Esta máquina tiene un zanco bajo con prensateles insertable. Cuando adquiera prensateles y aditamentos adicionales para su máquina, busque el tipo zanco bajo insertable.

Pie De Costura Fácil



ESTE ARTÍCULO ADICIONAL no se incluye con máquinas vendidas en algunas regiones y puede ser un accesorio opcional. Para información SOBRE COMPRAR DE ESTE ARTÍCULO, VAYA A WWW.SINGERCO.COM.

El Pie de Costura Fácil tiene una guía para ayudarle a coser las uniones de tela con más precisión en todo momento. El pie tiene una extensión marcada con los márgenes de costura más populares y una guía de la tela móvil que se puede ajustar en donde quiera para el proyecto que esté haciendo.

1. Coloque el Pie de Costura Fácil
2. Seleccione la Puntada Recta.
3. Con la aguja situada en la posición central, utilice la guía para seleccionar 3/8", 1/2", 5/8", 3/4", y hasta 1" márgenes de costura (en pulgadas).
4. Coloque la tela debajo del pie, alineando los bordes cortados con la guía en el pie. Baje la palanca del prensateles, luego cose normalmente.

1. El hilo hace bucles por el lado de abajo de la tela
2. El hilo bobina aparece en la parte superior de la tela
3. El hilo superior se rompe
4. El hilo se deshilacha
5. El hilo se amontona al inicio
6. Se saltan las puntadas
7. Dificultades en el devanado de la bobina
8. Se rompe el hilo bobina
9. Se rompen las agujas
10. Las puntadas están distorsionadas
11. La tela se frunce
12. La tela se enrolla debajo de las puntadas
13. La máquina no avanza la tela
14. No funciona el ensartador de aguja
15. Mucho ruido cuando se cose
16. La máquina no funcionará

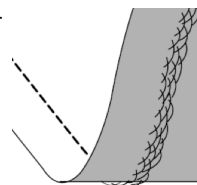
1. EL HILO HACE BUCLES POR DEBAJO DE LA TELA

Causa Probable: Bucles de hilo debajo de la tela siempre es indicador de que el hilo superior no está correctamente ensartado. Esto sucede cuando el hilo superior no está bien colocado en el mecanismo de tensión y no se ha ensartado por la palanca tira hilo.

Solución: Ensarte de nuevo la máquina, asegurándose levantar el alza prensatelas antes de ensartar, así el hilo puede asentar adecuadamente en el mecanismo de tensión y la palanca tira hilo. (ver página 14)

Para saber si ha reensartado correctamente la máquina, intente esta simple prueba:

- Levante el eleva prensatelas y ensarte la parte de arriba de la máquina.
- Ensarte la aguja, pero no ponga aún el hilo debajo del prensatelas. Conforme jala el hilo superior a la izquierda, debe jalarse con libertad.
- Baje el prensatelas. Conforme jala el hilo superior a la izquierda, debe sentir resistencia. Esto significa que se ha ensartado correctamente.
- Pase el hilo por debajo del prensatelas y luego jale el hilo bobina. Deslice ambos extremos de hilo debajo del prensatelas hacia atrás. Baje el prensatelas y comience a coser.



Si baja el eleva prensatelas, pero el hilo aún se jala con libertad (no siente diferencia sea que el prensatelas esté arriba o abajo), significa que está mal ensartado. Quite el hilo superior y vuelva a ensartar la máquina.

2. EL HILO BOBINA SE VE EN LA PARTE DE ARRIBA DE LA TELA

Causa Posible: Demasiada tensión en el hilo superior.

Solución: Reduzca la tensión del hilo superior. (ver página 18)

Causa Posible: La ruta del hilo está obstruida, agregándole tensión extra al hilo.

Solución: Revise que la ruta del hilo superior no esté obstruida y el hilo se mueva con libertad por la ruta de hilo. (ver página 14)

Causa Posible: El hilo bobina no tiene tensión de la caja bobina.

Solución: Ensarte de nuevo la bobina. (ver página 13)

3. SE ROMPE EL HILO SUPERIOR

Causa Posible: Ruta de hilo obstruida.

Solución: Revise si hay hilo atrapado en el carrete de hilo (nudos y bolas en el carrete) o detrás del poste carrete o tapa carrete (si el hilo se ha salido detrás de la tapa carrete no puede alimentarse con libertad por la ruta de la máquina). (ver página 14)

Causa Posible: La máquina no está bien ensartada.

Solución: Quite completamente el hilo superior, levante el prensatelas, reensarte la máquina asegurándose que el hilo esté en la palanca tira hilo (levante la palanca tira hilo a su posición más alta girando el volante hacia usted). (ver página 14)

Causa Posible: Demasiada tensión superior.

Solución: Reduzca la tensión del hilo superior. (ver página 18)

4. EL HILO SE DESHILACHA

Causa Posible: El hilo es viejo o de mala calidad.

Solución: Ensarte de nuevo la parte superior de la máquina y bobina con hilo de calidad. (ver página 14)

Causa Posible: La aguja está vieja o gastada o es del tipo o tamaño correcto para el hilo que se está usando. Aunque parece que la máquina deshilacha el hilo, usualmente es la aguja la causa. Si la aguja está vieja o gastada o si es muy pequeña para el espesor del hilo, el ojo de la aguja puede causar que el hilo se deshilache.

Solución: Cambie por una aguja nueva del tamaño correcto para el espesor/peso del hilo que se está usando. (ver página 25)

5. EL HILO SE AMONTONA AL INICIO

Causa Posible: Los hilos superior y bobina no se han colocado adecuadamente debajo del prensatelas antes de comenzar a coser.

Solución: Asegúrese que tanto el hilo superior y bobina estén bajo el prensatelas y hacia atrás antes de comenzar a coser. (ver página 20)

Causa Posible: Inicio la costura sin tela debajo del prensatelas.

Solución: Coloque tela debajo del prensatelas, asegúrese que la aguja entre en la tela; ligeramente sostenga ambas hebras por unas cuantas puntadas. (ver página 20)

6. SE SALTAN LAS PUNTADAS

Causa Posible: Aguja mal insertada.

Solución: Revise que el lado plano de la aguja esté hacia atrás de la máquina y la aguja esté insertada en su totalidad, luego apriete el tornillo sujeta aguja. (ver página 25)

Causa Posible: Aguja incorrecta para el tipo de tela a coser.

Solución: Use el estilo y tamaño adecuado de aguja para la tela. (visite www.singerco.com para información Guía de Referencia de Puntadas)

Causa Posible: Aguja doblada, mellada o dañada.

Solución: Deseche la aguja y coloque una nueva. (ver página 25)

7. DIFICULTADES EN DEVANADO DE BOBINA

Causa Posible: Hilo bobina devanado muy suelto en la bobina.

Solución: Rebobine la bobina, asegurándose que el hilo esté tenso en el disco de tensión de devanado de bobina. (ver página 12)

Causa Posible: El eje de devanado de bobina mal colocado, por tanto la bobina no se devana.

Solución: La bobina se devana mal porque el extremo del hilo no se sostiene al inicio del proceso de devanado. (ver página 12)

Causa Posible: La bobina se devana mal porque el extremo del hilo no se sostiene al inicio del proceso de devanado.

Solución: Antes de comenzar a devanar, sostenga el extremo del hilo (que sale de la bobina) con firmeza, permitiendo que se llene parcialmente la bobina, luego para para cortar la hebra cerca de la bobina. (ver página 12)

8. SE ROMPE EL HILO BOBINA

Causa Posible: Hilo bobina mal ensartado.

Solución: Revise que la bobina se coloque correctamente en el porta bobina. (ver página 13)

Causa Posible: La bobina se devana mucho o desapareja.

Solución: El hilo bobina puede no estar bien colocado en el disco de tensión de devanado de bobina durante el proceso de devanado de la bobina. (ver página 12)

Causa Posible: Suciedad o pelusa en el porta bobina.

Solución: Limpie el portabobina. (ver página 32)

Causa Posible: Se usan bobinas equivocadas.

Solución: Use bobinas **SINGER®** del mismo estilo que las que vienen con su máquina, no las sustituya. Su máquina viene con bobinas transparentes **SINGER®** Clase 15.

9. SE ROMPE LA AGUJA

Causa Posible: Aguja doblada, mellada o dañada.

Solución: Deseche la aguja, inserte una nueva. (ver página 25)

Causa Posible: Tamaño erróneo de aguja para la tela.

Solución: Inserte la aguja adecuada para el tipo de tela. (visite www.singerco.com para información Guía de Referencia de Puntadas)

Causa Posible: La máquina no está bien ensartada.

Solución: Vuelva a ensartar completamente la máquina. (ver página 14)

Causa Posible: La tela se “empuja” o se “jala”.

Solución: No jale/empuje manualmente la tela para coser, permita que los impelentes de la máquina jalen la tela bajo el prensatelas mientras usted sólo la guía. (ver página 20)

10. PUNTADAS DISTORSIONADAS

Causa Posible: Está “empujando” o “jalando” la tela.

Solución: No empuje o jale manualmente la tela, permita que los impelentes de la máquina jalen la tela debajo del prensatelas conforme usted la guía.

Causa Posible: Ajuste incorrecto de largo puntada.

Solución: Revise el manual para los ajustes correctos de largo/ancho puntada. (visite www.singerco.com para información Guía de Referencia de Puntadas)

Causa Posible: Puede ser necesario usar entretela.

Solución: Coloque entretela debajo de la tela. (ver Apéndice)

11. LA TELA SE FRUNCE

Causa Posible: Demasiada tensión en hilo superior.

Solución: Reduzca la tensión del hilo superior. (ver página 18)

Causa Posible: El largo puntada es demasiado corto para la tela a coser.

Solución: Aumente el largo puntada. (visite www.singerco.com para información Guía de Referencia de Puntadas)

Causa Posible: Estilo incorrecto para el tipo de tela.

Solución: Use el estilo correcto de aguja. (visite www.singerco.com para información Guía de Referencia de Puntadas)

Causa Posible: Aguja demasiado larga para la tela.

Solución: Cambie a una aguja más pequeña. (ver página 25)

12. LA TELA SE ENROLLA DEBAJO DE LAS PUNTADAS

Causa Posible: La tela no está bien estabilizada para la densidad de las puntadas (por ejemplo, aplicación en puntada satén).

Solución: Coloque entretela debajo de la costura para ayudar a mantener las puntadas sin enrollarse, formando un fruncido en la tela. (ver Apéndice)

13. LA MÁQUINA NO AVANZA LA TELA

Causa Posible: El prensatelas no se ha bajado en la tela después de ensartar.

Solución: Baje el prensatelas antes de comenzar a coser. No “empuje” o “jale” la tela conforme cosa.

Causa Posible: Los impelentes están cubiertos por la Placa de Zurcido.

Solución: Si los impelentes están cubiertos, la Placa de Zurcido necesita quitarse para resumir la costura regular.

Causa Posible: El largo puntada está en cero.

Solución: Aumente el ajuste de largo puntada.

14. EL ENSARTADOR NO ESTÁ FUNCIONANDO

(para modelos con ensartador automático de aguja integrado)

Causa Posible: La aguja no está en la posición correcta.

Solución: Levante la aguja a su posición más alta girando el volante hacia usted. (ver página 15)

Causa Posible: Aguja insertada de forma incorrecta.

Solución: La aguja debe estar bien insertada en el sujetador de aguja. (ver página 25)

Causa Posible: La aguja está doblada.

Solución: Quite la aguja doblada, inserte una nueva. (ver página 25)

Causa Posible: **Perno gancho dañado.**

Solución: El Ensartador de Aguja necesita remplazo; contacte a un centro de servicio SINGER® autorizado. Visite www.singerco.com.

15. MUCHO RUIDO CUANDO COSE

Causa Posible: El hilo no está en la palanca tira hilo.

Solución: Ensarte de nuevo la máquina, asegurándose que la palanca tira hilo está en su posición más alta de modo que el hilo pase por el ojo de la palanca tira hilo - gire el volante hacia usted para levantar la palanca tira hilo a su posición más alta para el ensartado. (ver página 14)

Causa Posible: Ruta del hilo obstruida.

Solución: Revise que el hilo no esté atrapado en el carrete de hilo o detrás de la tapa hilo. (ver página 14)

16. LA MÁQUINA NO FUNCIONA

Causa Posible: El eje del devanador de bobina está activado cuando trata de coser.

Solución: Desactive el eje del devanador de bobina. (ver página 12)


Causa Posible: El cable de energía y/o pedal controlador no están bien conectados.

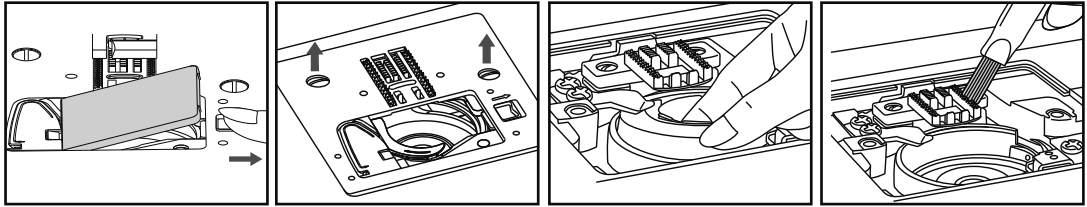
Solución: Asegúrese de que el cable y/o pedal controlador estén bien asentados en la máquina y a la fuente de energía. (ver página 11)

Causa Posible: Se están usando las bobinas incorrectas.

Solución: Use sólo bobinas **SINGER®** del mismo estilo que vienen con su máquina. (ver página 10)

Limpiando el Impelente y Área del Gancho

 Antes de limpiar la máquina, desconecte la alimentación quitando la clavija del tomacorriente. Gire el volante para levantar la aguja a su posición más alta. Levante el alza prensatelas.



Para lograr la mejor operación posible, es necesario mantener las partes esenciales limpias. Para el uso diario de la máquina, se recomienda que limpie la máquina semanalmente.

1. Retire la tapa de la bobina y el prensatelas. (ver página 26) Retirando el prensatelas va a tener un mayor acceso a la placa aguja y al área de la bobina.
2. Gire el volante hacia usted hasta que la aguja esté en la posición más alta. (La palanca tira hilos debe ser visible en la parte superior de la máquina)
3. Retire los dos tornillos de la placa aguja usando el desarmador en L, incluido en su máquina. Remueva la placa aguja.
4. Retire la bobina de la caja bobina.
5. Tome la caja bobina con su dedo pulgar e índice hacia las 7 en punto. Empuje ligeramente hacia la derecha mientras levanta la caja bobina, ésta se delizará fácilmente fuera de la zona del gancho.
6. Usando la brocha pequeña que está incluida en su máquina, remueva la pelusa del área del gancho, también del área de los dientes.
7. Su máquina ha sido lubricada en la fábrica; como resultado aceitar el área de la caja bobina no es necesario.
8. Para re insertar la caja bobina, asegúrese de que la aguja esté en su posición más alta. (La palanca tira hilos deberá ser visible en la parte superior de la máquina)
9. Sostenga la caja bobina con su dedo pulgar e índice y apunte a las 6 en punto directamente sobre el tornillo izquierdo en la parte central de la caja bobina.
10. Guíe el extremo de la caja bobina debajo de los dientes de alimentación y luego mueva la caja bobina de derecha a izquierda, hasta que se ajuste correctamente en el gancho.
11. Para asegurarse de que la caja bobina esté en la posición correcta, gire el volante hacia usted, el gancho deberá girar libremente en sentido contrario de las manecillas del reloj.
12. Asegúrese de que la aguja esté de nuevo en la posición más alta. Reposicione la placa aguja sobre los dientes de alimentación y asegure en su lugar usando los 2 tornillos que removió anteriormente.
13. Coloque el prensatelas, inserte la bobina y reemplazar la tapa de la bobina. Está listo para coser.

Lámpara de la Máquina

Esta máquina está equipada con iluminación LED, la cual está diseñada para durar el mismo tiempo de vida que la máquina.

Sin embargo está necesita ser reemplazada, por favor comuníquese con su centro local de servicio.

Costura de refuerzo

La costura de refuerzo se usa al comienzo y final de la costura para asegurar que las puntadas no se suelten. Al inicio de la costura realice 3-4 puntadas, luego cose en reversa otras 3-4 puntadas. Comience a coser hacia adelante de nuevo y continúe la costura hasta el final, luego cose en reversa 3-4 puntadas, luego hacia adelante para terminar.

Hilvanado

El hilvanado es una costura temporal, cosida con un puntada recta y poca tensión. Esta puntada temporal sostiene las telas, pero con la intención de ser removida. Por ejemplo, hilvane las costuras laterales de una tela falda para revisar el entalle, luego la costura final se cose y la puntada de hilvanado es retirada.

Brazo Libre

Para coser pequeños proyectos tubulares como la pierna de un pantalón, mangas, puños, etc., tiene que quitar el compartimiento de la máquina para tener acceso al brazo libre.

Uso de Entretela

La entretela es un material de especial diseño, cosido entre las telas, usado para proveer estructura adicional a las prendas, por ejemplo, puños, cuellos, etc. Puede usarse en ojales para ayudar a mantener estable la tela mientras se cose.

Borde

El borde de la tela se refiere al borde cortado y usualmente se convierte en el borde sobrante de la costura.

Costura

La costura es la puntada que une dos telas juntas, incluye la línea de puntada principal y el sobrante de la costura.

Sobrante de Costura

El sobrante de costura es la cantidad de tela entre las puntadas y el borde de la tela. El sobrante más utilizado es de 5/8" y 1/2".

Orillado o Acabado de Costura

El acabado u orillado de costura se usa para evitar que el borde de la tela se deshilache.

Entretela

La entretela o estabilizador es un material especial usado para dar apoyo adicional a las puntadas en técnicas especiales como aplicaciones, ojales y más.

Pespunte

El pespunte es una puntada recta que aparece en la parte de arriba de la tela, se usa para refuerzo adicional, adorno o ambos.



Recuerde que este producto se debe reciclar de un modo seguro en cumplimiento de la legislación nacional pertinente relacionada con los productos eléctricos/electrónicos. No elimine los aparatos eléctricos como residuos urbanos sin clasificar, utilice los centros de recogida selectiva. Para información relacionada con los sistemas de recogida disponibles, póngase en contacto con su entidad local. Cuando sustituya aparatos antiguos por otros nuevos, el distribuidor podría estar obligado por ley a recoger su vieja máquina para reciclarla gratuitamente.

Si se abandonan aparatos eléctricos en un vertedero, pueden producirse fugas de sustancias peligrosas en el terreno y llegar a la cadena alimentaria, dañando su salud y bienestar.

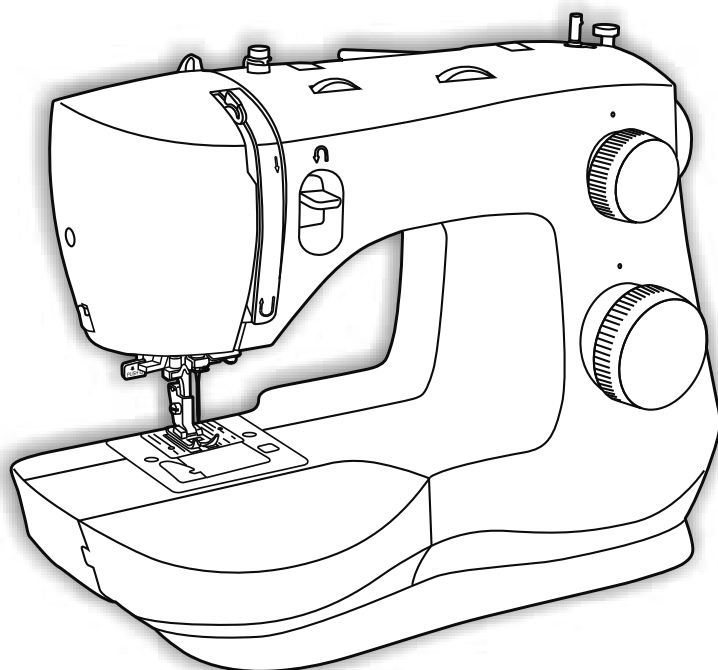


SINGER®

SINGER® es una marca registrada de The **SINGER®** Company Limited o sus afiliados.
©2016 The **SINGER®** Company Limited o sus afiliados. Todos los derechos reservados.



SINGER®



MANUEL D'INSTRUCTION

3342

SINGER vous facilite la couture.™

INTRODUCTION

Bienvenue

Bienvenue à la famille **SINGER**[®] et nos **FÉLICITATIONS** pour votre achat d'une toute nouvelle machine à coudre **SINGER**[®]!

La marque **SINGER**[®] représente la qualité depuis 160 ans. Nous créons nos machines pour tous niveaux de couture pour que la joie de la couture et la création puisse être appréciée par tout le monde. Nous aimerions vous recommander qu'avant d'utiliser votre machine, vous preniez le temps de découvrir les nombreuses caractéristiques et la facilité d'utilisation. Ce manuel comprend des graphismes et instructions étape par étape facile à comprendre.

1. Un manuel d'instruction avec des graphiques facile à comprendre et des instructions étape par étapes.
2. De l'aide est aussi disponible sur le Web à www.singerco.com.
3. Aide personnalisée à talktous@singerco.com.
4. Si vous préférez nous parler directement, pour de l'aide personnalisée, appeler un de nos assistants de coutures **SINGER**[®] au 1-800-474-6437. (Amérique du Nord Seulement)

Nous sommes prêts à vous faciliter la couture! Nous espérons que vous aimerez votre machine à coudre **SINGER**[®].

Bonne Couture!

Cette machine à coudre à usage domestique est conçue pour répondre aux normes IEC/EN 60335-2-28 et UL1594.

CONSIGNES DE SÉCURITÉ IMPORTANTES

Lors de l'utilisation d'un appareil électrique, les précautions de sécurité essentielles doivent toujours être respectées, y compris les suivantes : Lisez attentivement toutes les instructions avant d'utiliser cette machine à coudre à usage domestique. Conservez les instructions dans un lieu approprié près de la machine. Veillez à les transmettre avec la machine si celle-ci est donnée à une autre personne.

DANGER - POUR REDUIRE LE RISQUE DE DECHARGE ELECTRIQUE :

- Vous ne devez jamais laisser une machine à coudre sans surveillance lorsqu'elle est branchée. Débranchez toujours cette machine à coudre de la prise immédiatement après l'avoir utilisée et avant de la nettoyer, d'enlever les capots, de lubrifier ou lorsque vous faites n'importe quels autres réglages mentionnés dans le manuel d'instruction.

AVERTISSEMENT - POUR REDUIRE LE RISQUE DE BRULURES, D'INCENDIE, DE DECHARGE ELECTRIQUE OU DE BLESSURES CORPORELLES :

- Ne laissez personne jouer avec la machine. Il est fortement recommandé de redoubler d'attention lorsque cette machine à coudre est utilisée par ou près d'enfants.
- N'utilisez cette machine à coudre que pour son usage prévu, comme décrit dans ce manuel. N'utilisez que les accessoires recommandés par le fabricant, conformément aux indications fournies dans ce manuel.
- Ne faites jamais fonctionner cette machine à coudre si la prise ou le cordon sont endommagés, si elle ne fonctionne pas correctement ou si elle est tombée par terre ou a été endommagée ou plongée dans l'eau. Retournez la machine au distributeur ou au centre technique le plus proche de chez vous pour toute révision, réparation ou réglage mécanique ou électrique.
- Ne faites jamais fonctionner la machine à coudre si une ou plusieurs ouvertures de ventilation sont bouchées. Évitez toute présence de peluche, poussières, chutes de tissus dans la ventilation ou dans la pédale de commande.
- N'approchez pas les doigts des parties mobiles, en particulier au niveau de la zone située autour de l'aiguille de la machine.
- Utilisez toujours la plaque à aiguille appropriée. L'utilisation d'une plaque inappropriée risquerait de briser les aiguilles.
- N'utilisez jamais d'aiguilles tordues.
- Ne tirez pas sur le tissu et ne le poussez pas pendant la couture. Vous éviterez ainsi de faire dévier l'aiguille puis de la casser.

INTRODUCTION

Importantes Consignes de Sécurité

- Portez des lunettes de sécurité.
- Éteignez la machine (interrupteur sur "O") lors des réglages au niveau de l'aiguille, par exemple : enfilage de l'aiguille, changement d'aiguille, bobinage de la canette, changement de pied presseur, etc.
- Ne faites jamais tomber, ni glisser un objet dans les ouvertures.
- N'utilisez pas la machine à l'extérieur.
- N'utilisez pas votre machine à proximité de bombes aérosols ou de vaporisateurs, ou lorsque de l'oxygène est administré.
- Pour débrancher, commencez toujours par éteindre votre machine (interrupteur sur "O"), puis retirez la prise du secteur.
- Ne débranchez pas la machine en tirant sur le cordon. Pour débrancher, saisissez la prise et non le cordon.
- La pédale est utilisée pour faire fonctionner la machine. Évitez de placer d'autres objets sur la pédale.
- N'utilisez pas la machine si elle est mouillée.
- Si le voyant LED est endommagé ou cassé, il doit être remplacé par le fabricant ou son agent de service, ou toute autre personne qualifiée, afin d'éviter les risques.
- Si le cordon de la pédale est endommagé, il doit être remplacé par le fabricant ou son agent de service, ou toute autre personne qualifiée, afin d'éviter les risques.
- Cette machine est équipée d'une double isolation. N'utilisez que des pièces détachées d'origine. Voir les instructions relatives à l'entretien des appareils à double isolation.

CONSERVEZ CES INSTRUCTIONS

POUR L'EUROPE UNIQUEMENT :

Cet appareil peut être utilisé par des enfants de plus de 8 ans ainsi que des personnes ayant des capacités physiques, sensorielles ou mentales réduites ou un manque d'expérience et de connaissances, s'ils sont supervisés ou ont reçu des instructions quant à l'utilisation de l'appareil en toute sécurité et s'ils comprennent les éventuels risques encourus. Les enfants ne doivent pas jouer avec l'appareil. Le nettoyage et l'entretien à réaliser par l'utilisateur ne doivent pas être effectués par des enfants sans surveillance.

Le niveau sonore en conditions normales est inférieur à 75 dB(A).

La machine ne doit être utilisée qu'avec une pédale du type KD-1902, FC-1902 (110-120V) / KD-2902, FC-2902A, FC-2902C, FC-2902D (220-240V) fabriquée par ZHEJIANG FOUNDER MOTOR CORPORATION LTD. (China) / 4C-316B (110-125V) / 4C-316C (127V) / 4C-326C (220V) / 4C-326G (230V) / 4C-336G (240V) / 4C-336G (220-240V) fabriquée par Wakaho Electric Ind. Co. Ltd. (Vietnam)

POUR LES PAYS HORS EUROPE :

Cette machine à coudre n'est pas destinée à être utilisée par des personnes (y compris des enfants) ayant des capacités physiques, sensorielles ou mentales

réduites ou un manque d'expérience et de connaissances, sauf si une personne responsable de leur sécurité les surveille ou les aide à utiliser la machine à coudre. Ne laissez pas les enfants jouer avec la machine à coudre.

Le niveau sonore en conditions normales est inférieur à 75 dB(A).

La machine ne doit être utilisée qu'avec une pédale du type KD-1902, FC-1902 (110-120V) / KD-2902, FC-2902A, FC-2902C, FC-2902D (220-240V) fabriquée par ZHEJIANG FOUNDER MOTOR CORPORATION LTD. (China) / 4C-316B (110-125V) / 4C-316C (127V) / 4C-326C (220V) / 4C-326G (230V) / 4C-336G (240V) / 4C-336G (220-240V) fabriquée par Wakaho Electric Ind. Co. Ltd. (Vietnam)

ENTRETIEN DES PRODUITS ÉQUIPÉS D'UNE DOUBLE ISOLATION

Une machine à double isolation est équipée de deux systèmes d'isolation au lieu d'une mise à la terre. Aucun branchement à la terre n'est livré avec un produit à double isolation et ne doit non plus y être ajouté. L'entretien d'un produit à double isolation nécessite une attention toute particulière ainsi qu'une bonne connaissance technique et doit obligatoirement être effectué par du personnel qualifié. Les pièces détachées d'un appareil à double isolation doivent être des pièces d'origine. La mention "DOUBLE ISOLATION" doit figurer sur tout appareil équipé d'une double isolation.

INTRODUCTION

Table des Matières

INTRODUCTION	2-6
Bienvenue	2
Importantes Consignes de Sécurité	3-5
Table des Matières	6
1. À PROPOS DE VOTRE MACHINE	7-10
Parties Avant Principales de la Machine	7
Parties Avant Principales de la Machine	8
La Surface de l'Aiguille et du Pied presseur	9
Le Compartiment de Rangement Amovible	10
2. PRÉPARATIFS DE LA COUTURE	11-16
Mettre en Marche votre Machine	11
Remplissage de la Canette	12
Mise en Place de la Canette	13
Enfilage de Fil Supérieur	14
Enfileur de Chas d'Aiguille	15
Rappel du Fil Inférieur	16
3. DÉBUTER LA COUTURE	17-26
Avant de Débuter la Couture	17
Réglage du Point	18
Cadran de Sélection des Motifs	19
Couture au Point Droit	20
Couture d'un Point Décoratif	21
Couture d'un point extensible	22
Couture d'une Boutonnière en 1-étape	23
Couture d'un Bouton	24
Insérer et Remplacer L'Aiguille	25
Remplacer le Pied Presseur	26
Pied Couture Facile	26
4. DÉPANNAGE & ENTRETIEN	27-32
Dépannage	27-31
Entretien	32
5. ANNEXE - GLOSSAIRE	33
Lexique des Termes de Machine à coudre	33

Définition des mots clé que vous retrouvez dans ce manuel:



= REMARQUE = Information utile.



= ATTENTION = Peut provoquer des blessures.



= IMPORTANT = Affecte les résultats de couture.

Pour nous assurer que l'on vous fournit toujours les dernière tendances de couture, le fabricant se réserve le droit de changer l'apparence, la conception ou les accessoires de cette machine à coudre lorsque considéré nécessaire.

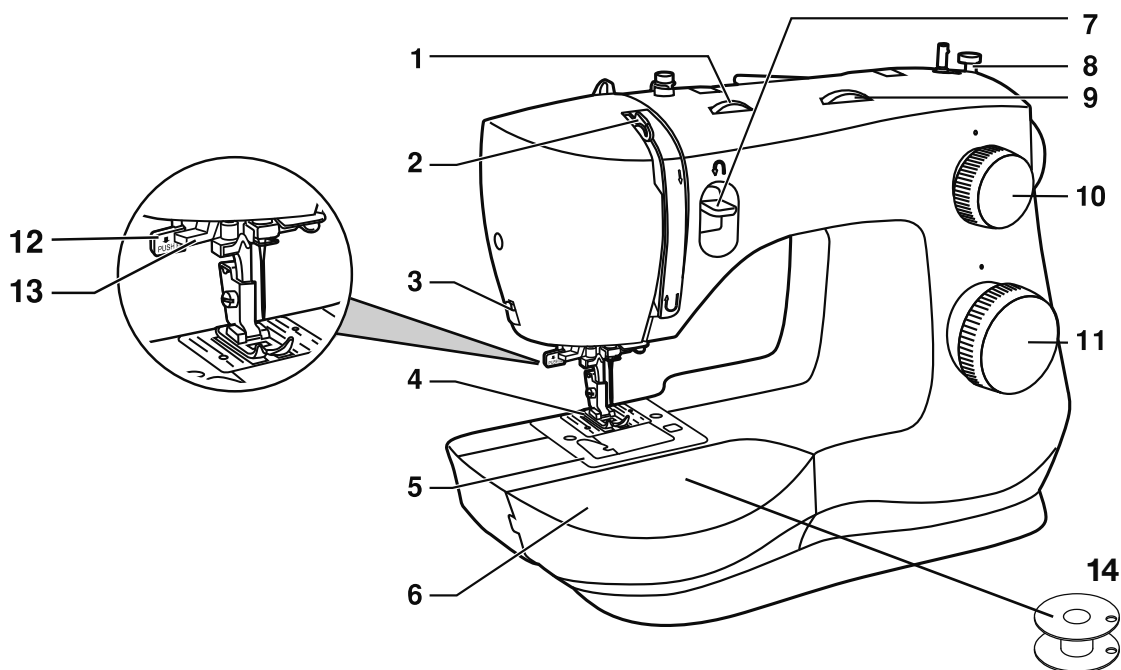
SINGER® & Singer vous facilite la couture est une marque enregistré de The **SINGER®** Company Limited ou de ses sociétés affiliées.

© 2016 The **SINGER®** Company Limited ou ses sociétés affiliées. Tous droits réservés.

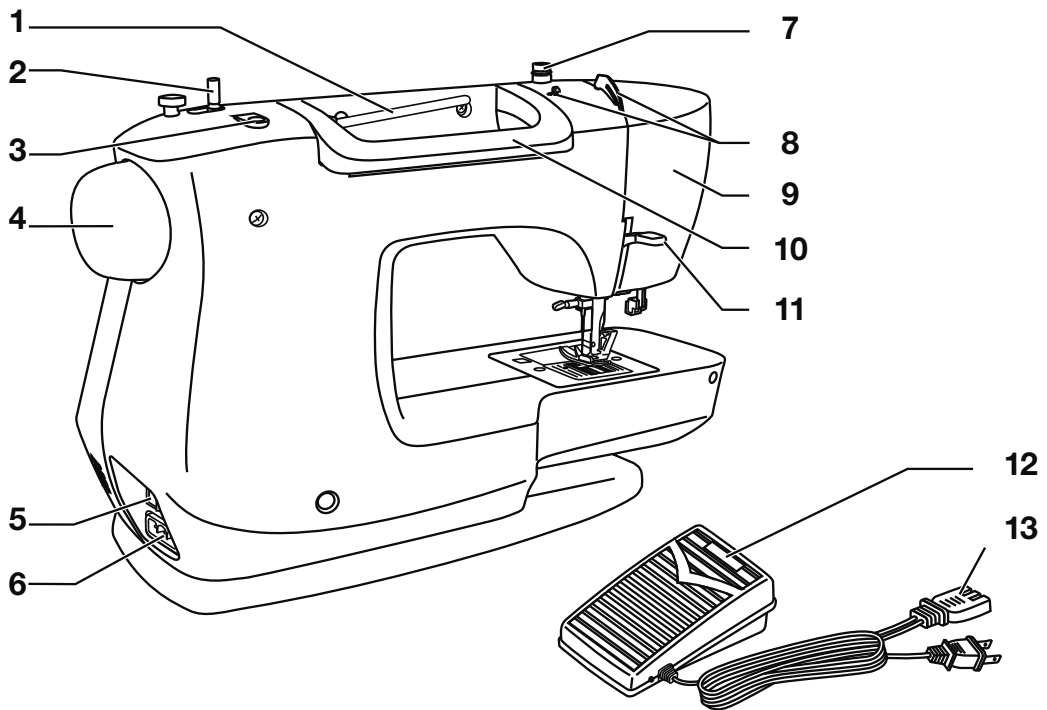
À PROPOS DE VOTRE MACHINE

Parties Avant Principales de la Machine

1

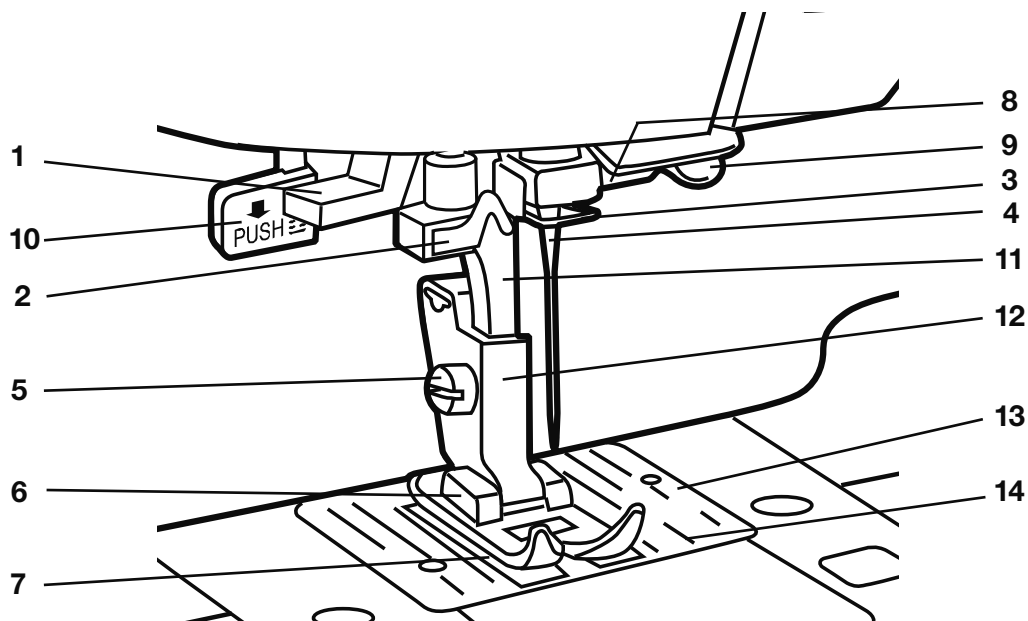


1. **LE CADRAN DE LA TENSION DU FIL** vous permet de sélectionner la tension appropriée pour le point, le fil et le tissu utiliser. (Voir Page 18)
2. **LE RELEVEUR DE FIL** contrôle le débit du fil supérieur pendant la couture. (Voir Page 14)
3. **LE COUPE-FIL** est situé dans le meilleur endroit pour couper les fins de fil à la fin d'une couture.
4. **LE PIED PRESSEUR** retient le tissu contre le mécanisme d'entraînement, faisant déplacer le tissu, pour vous, en dessous du pied lorsque vous cousez. (Voir Page 26)
5. **LA PLAQUE D'AIGUILLE** comporte des lignes guide pour vous aider à coudre des lignes droite. (Voir Page 9)
6. **LE COMPARTIMENT DE RANGEMENT AMOVIBLE** vous procure une surface de couture plane, un espace de remisage pour les accessoires et procure un accès pour la couture à main libre. (Voir Page 10)
7. **LE LEVIER DE COUTURE EN MARCHÉ-ARRIÈRE** inverse la direction de couture, par exemple pour sécuriser le début et la fin d'une couture. (Voir Page 20)
8. **LA BUTÉE D'ARRÊT DU BOBINAGE** détecte lorsque la canette est pleine et désengage le mécanisme de bobinage automatiquement. (Voir Page 12)
9. **LE CADRAN DE LA LARGEUR DU POINT** contrôle la largeur des points, en les cousant plus ou moins large. (Voir Page 19)
10. **LE CADRAN DE LA LONGUEUR DU POINT** contrôle la longueur des points, en les cousant plus ou moins long selon vos besoins. Il est aussi utiliser pour la sélection du point élastique. (Voir Page 19)
11. **LE CADRAN DE SÉLECTION DE MOTIFS** vous indique les motifs et la boutonnière. (Voir Page 19)
12. **LEVIER BOUTONNIÈRE 1- ÉTAPE** est abaisser pour la boutonnière et détermine automatiquement la longueur de la boutonnière. (Voir Page 23)
13. **LE LEVIER DE L'ENFILEUR DE CHAS D'AIGUILLE** est utilisez pour engager l'enfileur de chas d'aiguille. (Voir Page 15)
14. **CANETTE** comporte le fil qui sert à former la couture qui apparait en dessous du tissu. (Voir Page 12)

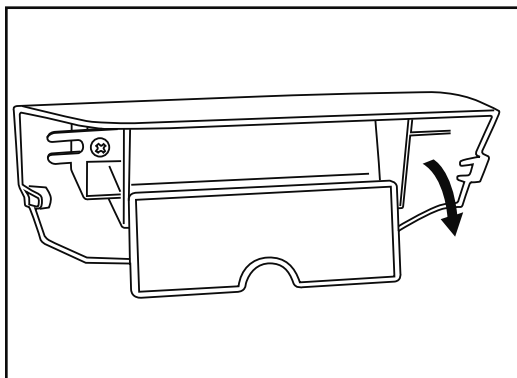
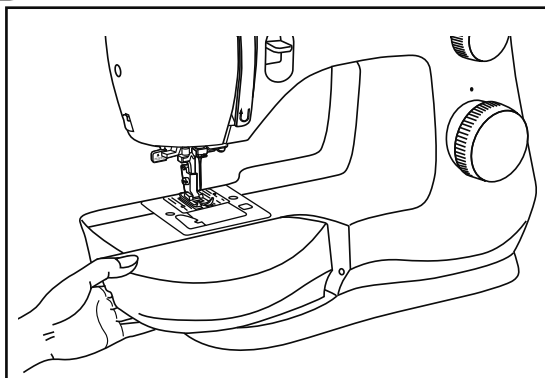


1. **LE PORTE-BOBINE HORIZONTAL** supporte le fil ainsi que le chapeau de bobine pour le fil supérieur.
2. **L'AXE DU BOBINEUR** supporte la canette lorsqu'elle se remplit. (Voir Page 12)
3. **LE TROU POUR LE DEUXIÈME PORTE-BOBINE** est utilisé pour introduire un porte-bobine additionnel, pour utiliser une bobine de fil placée en position verticale ou pour coudre avec deux bobines de fil en même temps pour la couture à double-aiguille.
4. **LE VOLANT (TOUJOURS LE FAIRE TOURNER VERS VOUS)**, contrôle le mouvement de l'aiguille ainsi que le releveur de fil.
5. **L'INTERRUPTEUR MOTEUR/LUMIÈRE** met, simultanément, la machine en marche tout en allumant la lumière. (Voir Page 11)
6. **LA PRISE D'ALIMENTATION PRINCIPALE** est utilisée pour brancher la corde de l'alimentation/rhéostat. (Voir Page 11)
7. **LE DISQUE DE TENSION DU BOBINEUR** retient parfaitement le fil pour assurer un bobinage égal et en douceur. (Voir Page 12)
8. **LE GUIDE-FIL PRÉ-TENSION** aide à maintenir le débit du fil pendant la couture. (Voir Page 14)
9. **LA PLAQUE FRONTALE** renferme et protège le mécanisme intérieur de la machine.
10. **LA POIGNÉE** est utilisée pour transporter la machine.
11. **LE LEVIER DU PIED PRESSEUR** soulève et abaisse le pied presseur. Il est soulevé pour enfile la machine et abaissé pour coudre. (voir Page 14)
12. **LE RHÉOSTAT** contrôle la vitesse de couture dépendamment de la pression exercée par l'utilisateur. (Voir Page 11)
13. **CORDON D'ALIMENTATION** branche la machine à la source d'alimentation. (Voir Page 11)

La Surface de l'Aiguille et du Pied presseur



1. **LE LEVIER DE L'ENFILEUR DE CHAS D'AIGUILLE** est utilisé pour engager l'enfileur de chas d'aiguille.
2. **LE GUIDE DE L'ENFILEUR DE CHAS D'AIGUILLE** retient le fil avant de l'insérer dans le crochet d'enfilage.
3. **LE GUIDE-FIL** contrôle le déplacement du fil supérieur.
4. **L'AIGUILLE** retient le fil durant la formation du point.
5. **LA VIS DU PIED PRESSEUR** sécurise le support du pied presseur sur la barre du pied presseur.
6. **LE PIED PRESSEUR** retient le tissu contre le mécanisme d'entraînement tout en cousant. Différents pieds presseur sont disponibles, dépendant du tissu à coudre ou des techniques de couture employées. (Voir page 10)
7. **LES GRIFFES D'ENTRAÎNEMENT OÙ LES DENTS D'ENTRAÎNEMENT**, ce qui ressemble à des rangées de dents en dessous du pied presseur, contrôlent le mouvement du tissu sous le pied presseur.
8. **LE PINCE AIGUILLE** retient l'aiguille de la machine en place.
9. **LA VIS DE L'AIGUILLE** sécurise l'aiguille lorsqu'elle est insérée dans le pince-aiguille.
10. **LE LEVIER DE BOUTONNIÈRE UNE ÉTAPE** détermine la longueur de la boutonnière quand il est abaissé. (Voir page 23)
11. **LA BARRE DU PIED** sert à visser le support du pied presseur.
12. **LE SUPPORT DU PIED PRESSEUR** retient le pied presseur.
13. **LA PLAQUE D'AIGUILLE** couvre la surface de la canette et procure une espace plane autour du pied presseur pour la couture.
14. **LIGNES GUIDE DE COUTURE** sont utilisées comme référence visuelle pour maintenir le tissu droit lors de la couture. La première ligne est à une distance de 10mm (3/8") de la position centrale de l'aiguille. Les espacements les plus utilisés en couture sont 13mm (1/2") et 16mm (5/8"). L'espacement de couture de 13mm (1/2") est la deuxième ligne guide et la troisième ligne est à 16mm (5/8").

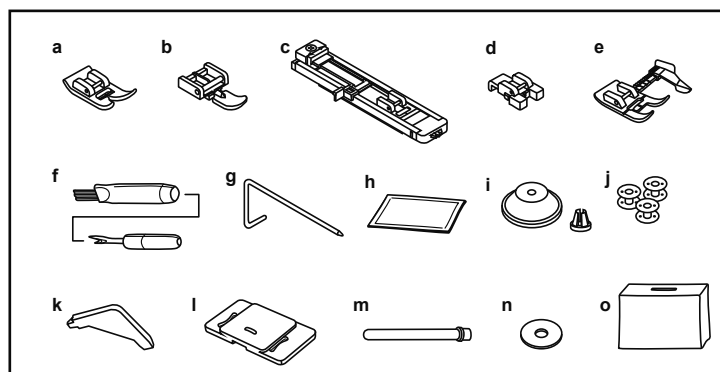


Tenez le compartiment de rangement amovible horizontalement, tirez ensuite vers la gauche pour le retirer de la machine. En ce faisant, vous aurez accès au bras libre, qui facilite la couture des projets cylindriques comme les ourlets de pantalon ou des manches. De plus, vous trouverez les accessoires de la machine rangés ici.

La machine est fournie avec des pieds presseurs et des accessoires standards.

Les Accessoires Standards Inclus:

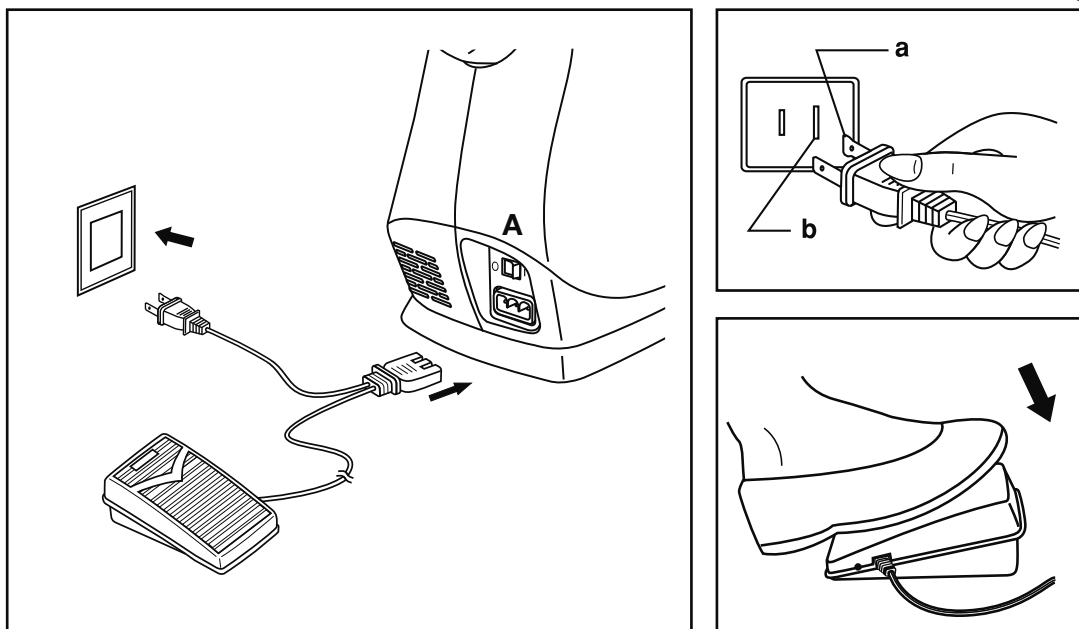
- a. Pied Tout Usage (pour la couture normale)
- b. Pied Fermeture Éclair (pour insérer une fermeture éclair)
- c. Pied à Boutonnière (pour confectionner les boutonnières)
- d. Pied Pour Bouton (pour coudre les boutons)
- e. Pied Couture Facile (pour réaliser les coutures les plus précises) CET ARTICLE EN PRIME N'EST PAS INCLUS AVEC MACHINES VENDUS DANS CERTAINS DOMAINES ET PEUT ETRE UN ACCESSOIRE FACULTATIF. POUR OBTENIR DES INFORMATIONS SUR L'ACHAT DE CET ARTICLE, VISITER WWW.SINGERCO.COM
- f. Découreur/Brosse (pour enlever des points/enlever la mousse)
- g. Guide Matelassé (Pour des coutures droites et précises)
- h. Paquet d'Aiguilles (aiguilles de remplacement)
- i. Chapeaux de Bobine (2 grandeur pour les différents types de bobine)
- j. Canettes (de Classe 15 transparente de **SINGER®**)
- k. Tournevis en "L" (pour enlever la plaque d'aiguille lors du nettoyage)
- l. Plaque de Reprisage (recouvre les griffes d'entraînement)
- m. Deuxième Porte-Bobine (pour couture à aiguille jumelée)
- n. Feutre Porte-Bobine (pour amortir le rouleau de fil lorsque vous utiliser le porte-bobine)
- o. Couverture Souple (pour protéger votre machine)



Accessoires Facultatifs:

Pour toutes informations concernant la disponibilité des pieds presseurs additionnels, des attachements et des accessoires pour votre machine visitez le site www.singerco.com.

Mettre en Marche votre Machine



Branchez la fiche du cordon d'alimentation de la machine dans la prise murale comme illustré. Cette machine est équipée d'une fiche polarisé qui doit être utilisé avec une prise murale polarisé appropriée. (a et b)


 Débranchez le cordon d'alimentation lorsque vous n'utilisez pas la machine.


Le Rhéostat

Le rhéostat régularise la vitesse de couture. La machine ne fonctionne pas lorsqu'il est débranché.

Lumière pour la Couture

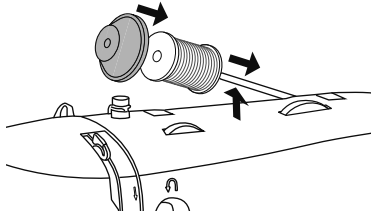
Déplacez l'interrupteur principal (A) dans la position " I " pour alimenter la machine et la lumière.

 Pour les machines équipé d'une fiche polarisé (une lame est plus large que l' autre). Pour réduire les risques de décharge électrique, cette fiche ne peut être branchée dans la prise que d'une seule façon. Si la fiche ne peut pas être insérée entièrement dans la prise, tournez la fiche. Si la fiche ne peut toujours pas entrer dans la prise, veuillez contacter un électricien qualifié afin qu'il installe la prise murale appropriée. Ne modifiez la fiche en aucun cas.

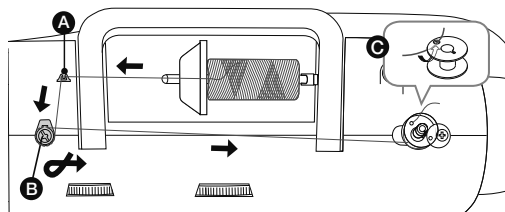
 Votre machine à coudre **SINGER**® est réglée pour vous donner le meilleur fini de point à une température ambiante normale. Les températures extrêmement élevées ou basses peuvent affecter le résultat de couture.

Remplissage de la Canette

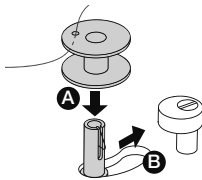
→ Cette machine utilise des canettes **SINGER®** de Classe 15 transparente. Utilisez seulement ce type de canette, pour votre machine, lorsque vous désirez en acheter de surplus. Ne jamais utiliser des canettes en métal.



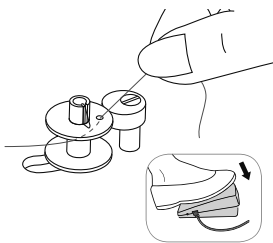
1. Placez la bobine sur la tige et fixez-y le chapeau de bobine correspondant. Le chapeau de bobine doit être assez grand pour couvrir le bout de la bobine de fil pour assurer un débit de fil bien régulier. Pour de petite bobine utiliser le petit chapeau de bobine, que vous retrouverez dans le compartiment de rangement amovible.



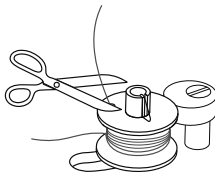
2. (A) Insérez le fil dans le guide sur le dessus de la machine. (B) Bien insérer le fil dans les disques de tension du bobineur pour vous assurer un bobinage égal et en douceur. (C) Faites passer l'extrémité du fil par le trou de la canette, comme indiqué, placer la canette sur l'axe du bobineur.



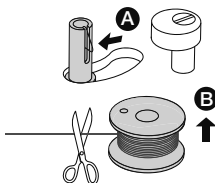
3. Assurez-vous que la canette est insérée fermement en la poussant vers le bas (A). Dans le cas contraire, le fil pourrait s'enrouler en dessous de la canette. Poussez, fermement, la canette et l'axe du dévidoir vers la droite (B).



4. Tenir la queue de fil pour vous préparer à bobiner. Appuyez, légèrement, sur le rhéostat tout en retenant la queue de fil. Faites faire quelques révolutions à vitesse réduite et ensuite arrêter.




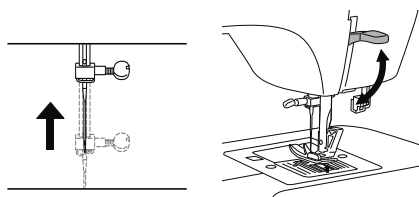
5. Coupez la queue de fil près du rebord de la canette et ensuite reprenez le bobinage en appuyant sur le rhéostat.



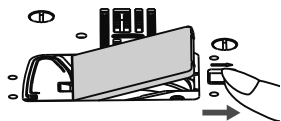
6. La canette s'arrêtera de tourner lorsqu'elle sera remplie. Relâchez le rhéostat. Poussez la canette vers le côté gauche (A), coupez ensuite le fil (B).

Mise en Place de la Canette

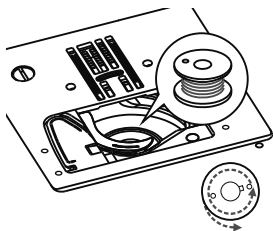
 Placez l'interrupteur de la machine en position ("O") avant de retirer la canette.



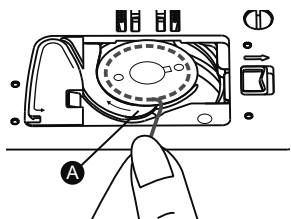
1. Lors de l'insertion ou le retrait de la canette, l'aiguille et le pied-presseur doivent être complètement relevés.



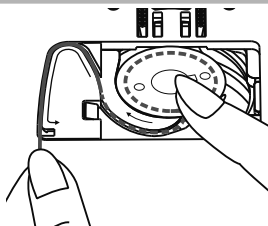
2. Appuyez vers la droite sur le loquet du capot et retirez le couvercle et la canette.



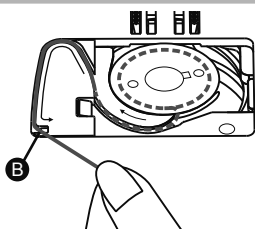
3. Placez la canette dans le boîtier, en vous assurant que le fils tourne en sens inverse d'une montre, comme indiquer dans l'illustration.



4. Tirez le fil dans l'encoche (A).




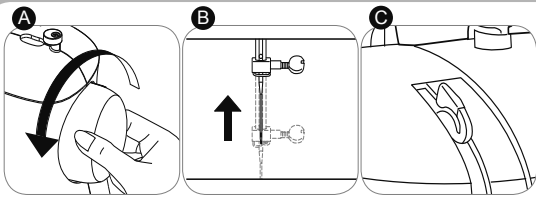
5. Tout en maintenant la canette légèrement avec le doigt, placez le fil le long des coches comme indiquer dans l'illustration.



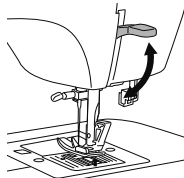
6. Pour couper l'excès de fil, tirez-le vers vous pour le couper avec le couteau au point (B). Remettez le couvercle de la canette.


Enfilage du Fil Supérieure

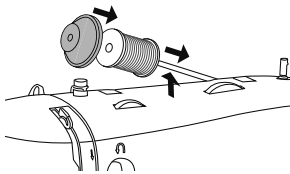
 Par mesure de sécurité, placez l'interrupteur de la machine en position ("O") avant d'enfiler la machine.



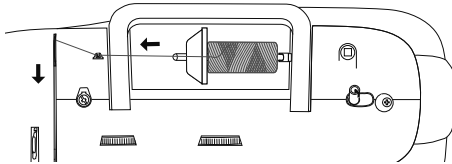
1. Pour débuter, faites tourner le volant vers vous jusqu'à ce que l'aiguille soit dans sa position la plus haute (B) ainsi que le releveur de fil (C). Vous devriez apercevoir le releveur de fil.



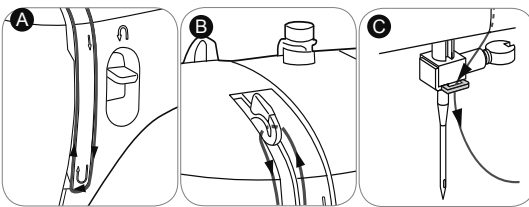
2.  **Soulevez le pied presseur.** Ceci est nécessaire pour enfiler la machine correctement.



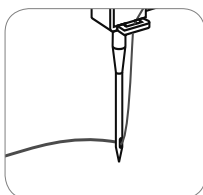
3. Installer la bobine de fil et le chapeau de bobine sur le porte-bobine horizontal.



4. Tirer le fil de la bobine et insérer-le dans le guide fil supérieur sur le dessus de la machine. En tenant le fil avec vos deux mains inséré-le dans le guide de pré-tension.



5. (A) Descendez le fil dans la rainure de droite, contourner la partie du bas et remonter dans la rainure de gauche. (B) En haute de la rainure de gauche, faites passer le fil, de l'arrière vers l'avant du releveur de fil pour qu'il s'introduise dans la rainure du releveur de fil. Si le fil n'est pas introduit dans la rainure du releveur de fil, la machine va se coincée. Après avoir enfilé le releveur de fil, faite descendre le fil de nouveau. (C) Faites passer le fil à l'arrière du guide-fil du pince aiguille et descendez-le jusqu'à l'aiguille.




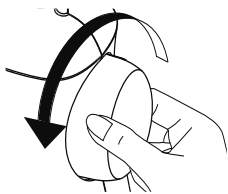
6. Si vous voulez enfiler le chas de l'aiguille manuellement, faites passer le fil par l'orifice de l'aiguille de l'avant vers l'arrière. Tirez, vers l'arrière de la machine, 15 à 20 cm (6 à 8 pouces) de fil du chas de l'aiguille. Vous pouvez aussi utiliser l'enfileur d'aiguille automatique pour enfiler le chas de l'aiguille. (Voir page 15).

PRÉPARATIFS DE LA COUTURE

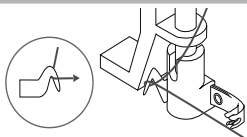
Enfileur de Chas d'Aiguille

2

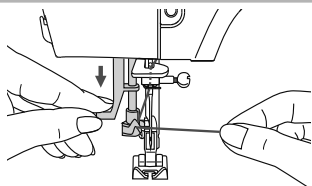
 Par mesure de sécurité, placez l'interrupteur de la machine en position ("O") avant d'utiliser l'enfileur de chas d'aiguille.



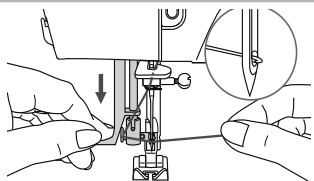
1. Amenez l'aiguille en position haute en tournant le volant vers vous. Si vous tournez le volant dans le sens contraire, la machine pourrait ce coincé lorsque vous débuterez la couture.



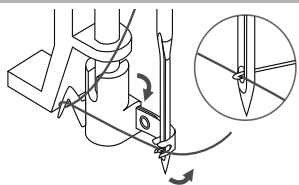
2. Passer le fil autour du guide-fil.



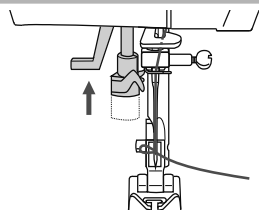
3. Appuyer sur le levier pour le faire descendre le plus bas possible.



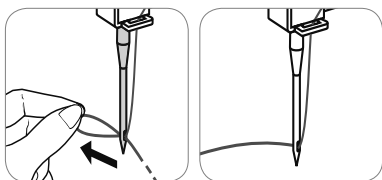
4. Le crochet d'enfilage se positionne automatiquement.




5. Passez le fil devant l'aiguille et ensuite sous le crochet d'enfilage.



6. Relâchez le levier de l'enfileur de chas d'aiguille et le bout du fil en même temps. Le crochet d'enfilage se déplacera vers l'arrière, produisant ainsi une boucle de fil à l'arrière de l'aiguille.

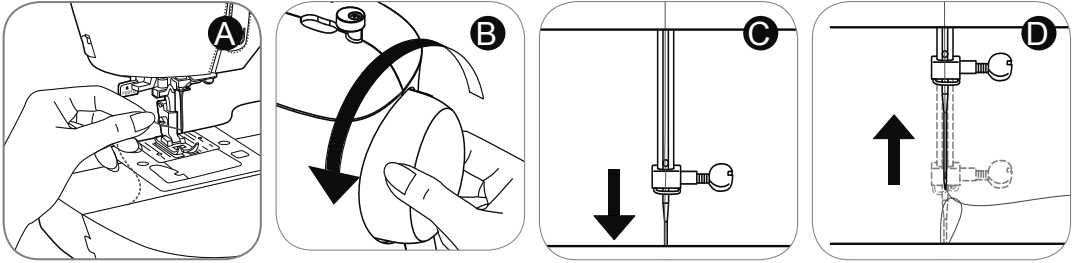


7. Tirez le fil à travers le chas de l'aiguille.

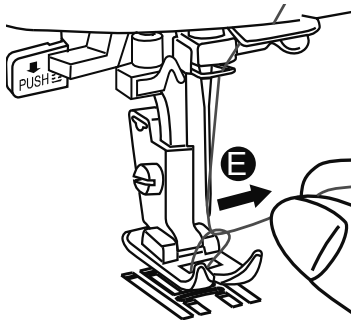
 Tirez environ 15 à 20 cm de fil en dessous et vers l'arrière du pied presseur. Cela aidera à prévenir le défilage de l'aiguille lorsque vous commencez à coudre.

Rappel du Fil Inférieur

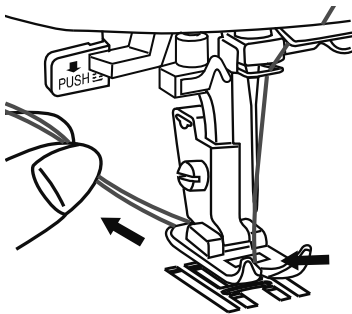
⚠ Par mesure de sécurité, placez l'interrupteur de la machine en position ("O") avant d'enfiler la machine.



1. Retenez le bout du fil supérieur avec votre main gauche (A). Faites tourner le volant vers vous (B), l'aiguille doit descendre en premier lieu (C) et continuer de tourner jusqu'à ce que l'aiguille atteigne sa position la plus haute (D).



2. Pendant que vous faites tourner le volant, tirez légèrement sur le fil supérieur et une boucle de fil de la canette ainsi capturé passera dans le trou de la plaque d'aiguille (E). Tirez sur la boucle pour faire passer complètement le fil de la canette dans le trou de la plaque d'aiguille. Si vous n'apercevez pas de boucle, faites tourner le volant encore une fois. Si vous n'apercevez pas de boucle encore un fois, vérifiez si le fil de la canette n'est pas coincé par le couvercle de la canette.



3. Placez les deux fils sous le pied presseur et tirez-les vers l'arrière de la machine.

DÉBUTER LA COUTURE

Avant de Débuter la Couture

3

Maintenant que votre machine est enfilée, nous expliquerons comment faire les réglages de la machine pour les techniques de couture de base telle: la couture au point droit, la couture de point décoratif, la couture de point extensible, la confection de boutonnière et la couture de bouton. Pour chaque technique, vous avez l'occasion de coudre.

Pour plus d'informations sur les divers points que comportent votre machine et comment les utiliser, référez-vous au **Guide de Référence de Point** au www.singerco.com.

Voici d'autres astuces que vous pourriez trouver utile avant de débiter.

En déballant la machine, vous pouvez avoir remarqué quelques petites traces d'huile autour de la plaque d'aiguille ou de la zone du pied de presseur. S'il c'est le cas, essayez toute trace d'huile avec un tissu doux et sec avant de débiter votre couture.

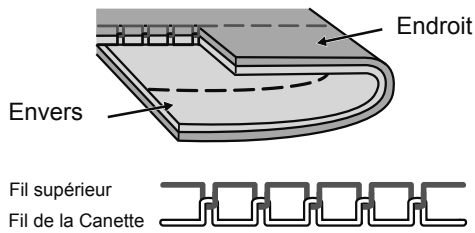
Le rhéostat est utilisé pour contrôler la vitesse de votre couture. Quand vous appuyez sur le rhéostat, la machine coudra. Plus grande sera la pression sur le rhéostat, plus la vitesse de couture sera grande. Quand vous retirerez votre pied du rhéostat, la machine s'arrêtera.

Les aiguilles sont une partie importante de couture. L'utilisation d'aiguilles vieilles, endommagées ou incorrectes pour vos projets peut affecter des résultats se cousant. Pour des informations de lequel l'aiguille utiliser pour votre projet, référez-vous au Guide de Référence de Point au www.singerco.com. Pour des informations la façon de changer l'aiguille, voir la page 25.

Dépendant des techniques que vous voulez utiliser, il pourrait être nécessaire d'utiliser un pied presseur différent. Pour des informations sur la façon de procéder, voir la page 26.

Passez en revue la page de la Formation de Point (voir la page 18). Ceci vous aidera à comprendre à quoi la couture devrait ressembler quand vous cousez.

Utilisez le coupe-fil sur la machine (voir page 7) pour couper les fins de fil à la fin d'une couture. Ceci est très utile pour s'assurer que les fils soient de la bonne longueur afin que l'aiguille ne se désenfile pas lorsque vous reprenez la couture.

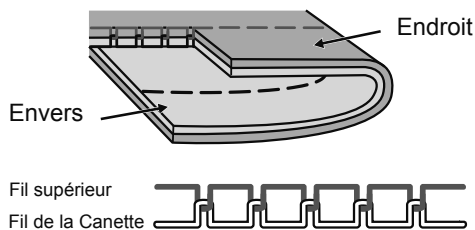
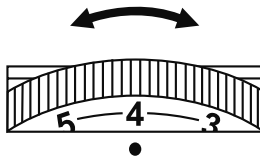


1. Comment les Points se Forment

Les Points sont formés quand le fil supérieur et le fil de canette se nouent entre les couches de tissu. La couture est bien équilibrée quand le fil de l'aiguille apparaît sur l'endroit du tissu le que le fil de la canette apparaît sur l'envers.

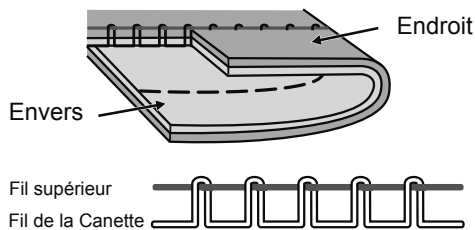
2. Le cadran de Réglage de Tension du Fil


Le Cadran de Réglage de Tension du Fil se règle entre 0 et 9. La majeure partie de votre couture sera exécutée avec votre Cadran de Réglage de Tension du Fil réglé entre 3 et 5. Il peut être ajusté à une valeur plus élevée pour augmenter la tension du fil supérieur, si le fil supérieur semble trop lâche. Il peut être ajusté à une valeur inférieure pour diminuer la tension du fil supérieur, si le fil de la canette semble apparaître sur l'endroit du tissu.



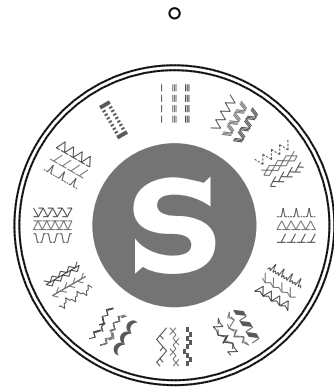
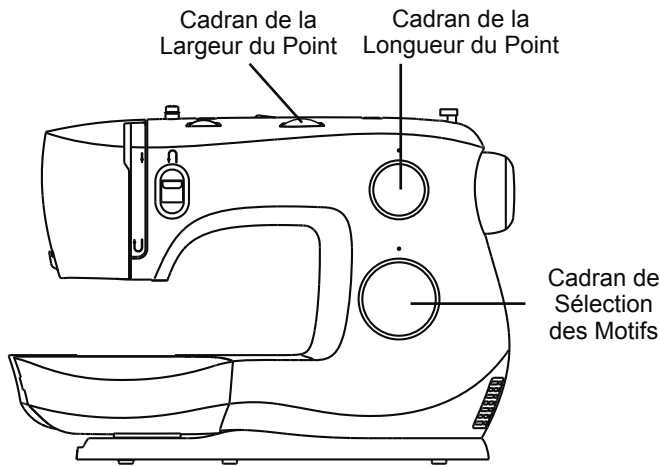
Réglage de la Tension

La tension du fil peut aussi être ajustée pour diverses techniques de couture. Pour le Faufilage (voir l'Annexe), vous pouvez diminuer la tension à une valeur inférieure pour que les points puissent facilement être enlevés. Pour le plissage, vous pouvez le tourner vers une valeur plus élevée.



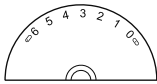
3.  Quand vous cousez, si des grandes boucles apparaissent sur l'envers du tissu, ceci est normalement une indication que le fil supérieur n'a pas été enfilé correctement, comme s'il n'y a aucune tension d'appliquée. Pour plus d'informations sur la façon de corriger ce type de problème, voir la section Dépannage et Entretien dans ce manuel.

Cadran de Sélection des Motifs



Le Cadran de Sélection des Motifs est utilisé pour choisir le motif que vous voulez coudre. Le cadran peut être tourné vers la gauche ou la droite.

Pour Coudre les Motifs de Couleur Gris:



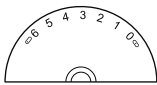
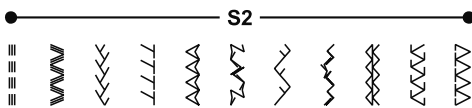
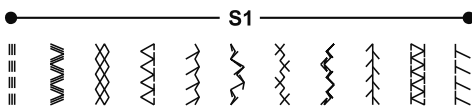
Cadran de la Largeur du Point



Cadran de la Longueur du Point

1. Tournez le Cadran de Sélection des Motifs jusqu'à ce que le motif désiré soit directement en dessous du point rond sur la machine.
2. Placez le Cadran de la Longueur du Point selon la longueur que vous désirez. Il peut être réglé n'importe où entre 0.5 et 4, 4 étant le réglage le plus long.
3. Pour la couture droite, le Cadran de la Largeur du Point peut être réglé à 0 pour la position du centre ou à 6 pour la position du côté gauche.

Pour Coudre les Motifs de Couleur Bleue ou rouge:



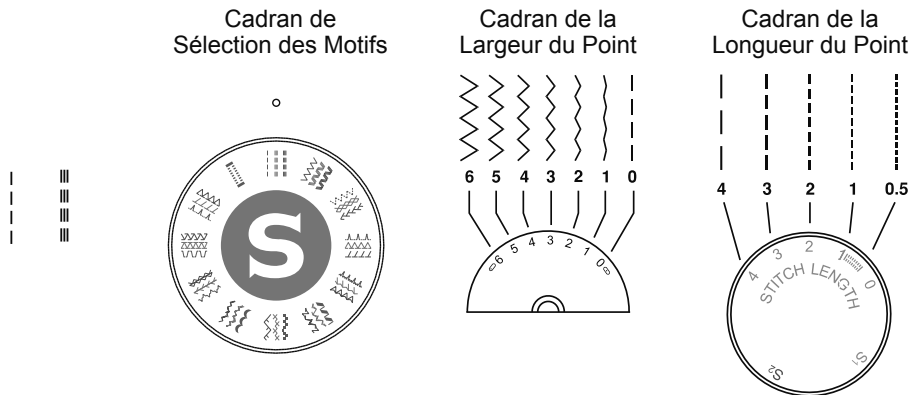
Cadran de la Largeur du Point



Cadran de la Longueur du Point

1. Tournez le Cadran de Sélection des Motifs jusqu'à ce que le motif désiré soit directement en dessous du point rond sur la machine.
2. Placez le Cadran de la Longueur du Point de façon à ce que le S1 ou S2 soit directement en dessous du point rond sur la machine. Ce cadran doit être réglé à S1 pour les points bleu ou S2 pour les points rouge, ou les motifs en bleu ou en rouge ne se feront pas.
3. Placez le Cadran de la Largeur du Point à une valeur élevé (4 – 6). Si vous le désirez, vous pouvez régler le cadran à une valeur inférieure, dépendant du résultat que vous voulez obtenir.

Pour des exemples de motifs et plus d'information, référez-vous au Guide de Référence de Point au www.singerco.com.

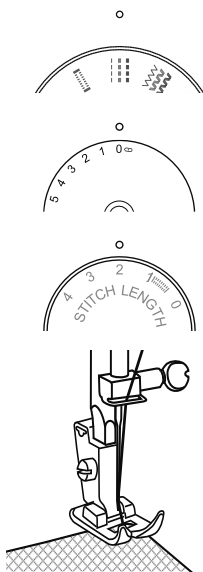


Le point droit est utilisé pour la couture et la surpiqûre.

COMMENT:

1. Réglez la machine pour faire un Point Droit en déplaçant le Cadran de Sélections des Motifs sur le point droit. (Voir page 19)
2. Placez le Cadran de la Largeur du Point à 0 pour obtenir la position de l'aiguille au centre.
3. Placez la Cadran de la Longueur du Point selon la longueur que désirez. (Voir page 19)

POUR COUDRE:



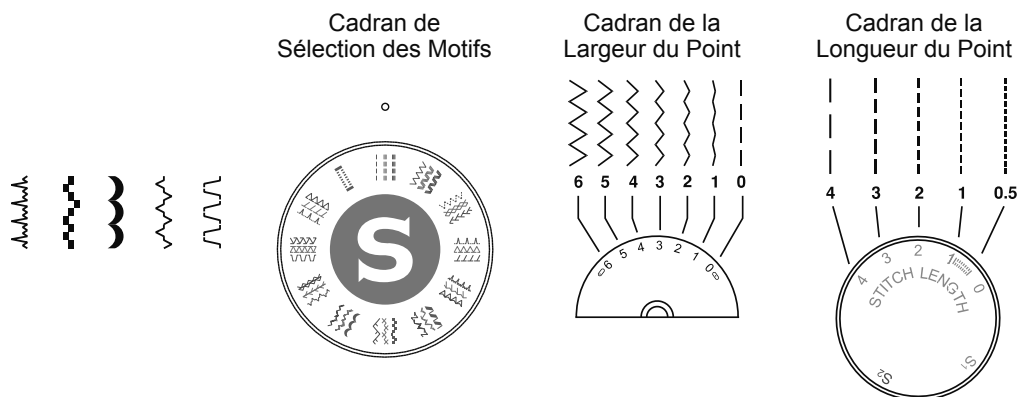
1. Déplacez le Cadran de Sélections des Motifs, de façon à ce que le symbole du point droit soit directement en dessous du point rond de la machine.
2. Réglez le Cadran de la Largeur du Point de façon à ce que la valeur 0 soit directement en avant du point rond sur le dessus de la machine.
3. Réglez le Cadran de la Longueur du Point de façon à ce que la valeur 2 soit directement en dessous du point rond de la machine. Ce réglage de la longueur du point est la plus utilisée pour la couture normale.
4. Placez le tissu en dessous du pied Tout-Usage ou le pied Couture Facile (Voir page 26) avec le rebord droit du tissu aligné sur la ligne guide choisit sur le côté droit de la plaque d'aiguille. Abaissez le pied presseur, ensuite appuyer sur le rhéostat pour débuter la couture. Assurez-vous toujours que le pied presseur est baissé avant de débuter une couture. Si vous ne faites cela, la machine va ce coincé dès que vous débuterez la couture. Débutez votre couture en cousant 2 à 3 points. Appuyez sur le levier de couture en marche-arrière pour coudre 2 à 3 points de reculons, cela fermera le début de la couture pour empêcher les points de se défaire. Relâchez le levier de couture en marche-arrière pour coudre vers l'avant de nouveau. Continuez de faire la couture. Appuyez sur le levier de couture en marche-arrière à la fin de la couture et coudre 2 à 3 points de reculons. Relâchez le levier de couture en marche-arrière pour coudre de l'avant de nouveau pour terminer.

- ✓ Utilisez une longueur de point légèrement plus courte, pour des fils plus petits et des aiguilles moins grosses, pour coudre dans des tissus léger. Utilisez une longueur de point plus longue comme un réglage à 3 ou 4 pour des tissus lourds.
- ✓ Il peut être utile de retenir légèrement les queues de fils avec votre main gauche pour les premiers points, ceci vous aidera à guider le tissu sous le pied lorsque vous débutez la couture.
- ✓ Si vous préférez l'aiguille positionnée à gauche, la position de l'aiguille peut être réglée en déplaçant le Cadran de la Largeur du Point vers 6. Réglez le cadran vers 0 va déplacer l'aiguille vers le centre et vers le 6 va déplacer l'aiguille vers la gauche.

DÉBUTER LA COUTURE

Couture D'un Point Décoratif

3

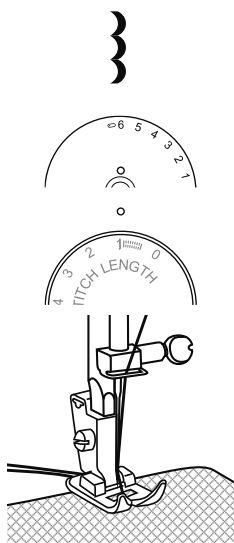


Un point décoratif est utilisé pour embellir des coutures et ajouter du style à vos projets de couture. (Voir www.singerco.com pour plus de points décoratifs qui peuvent être utilisés.)

COMMENT:

1. Sélectionnez le point désiré en déplaçant le Cadran de Sélection des Motifs sur un des points décoratifs. (Voir la page 19)
2. Réglez le Cadran de la Largeur du Point entre 2 et 6 dépendant de la largeur du point que vous voulez obtenir. (Voir page 19)
3. Réglez le Cadran de la Longueur du Point entre 0.5 et 3. (Voir la page 19)

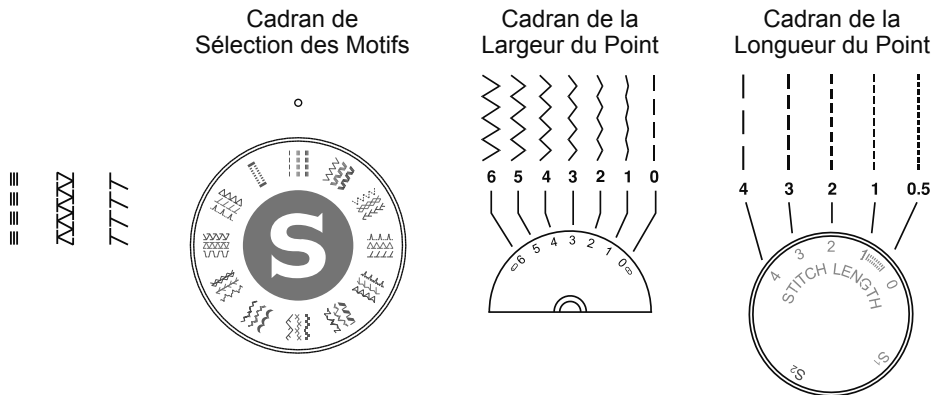
POUR COUDRE: Point Coquille



1. Déplacez le Cadran de Sélection des Motifs de façon à ce que le point de Coquille soit directement en dessous du point rond de la machine.
2. Réglez le Cadran de la Largeur du Point de façon à ce que la valeur 6 soit directement en avant du point rond sur le dessus de la machine.
3. Réglez le Cadran de la Longueur du Point de façon à ce que la valeur 1 soit directement en dessous du point rond de la machine.
4. Placez le tissu en dessous du pied Tout-Usage avec le rebord droit du tissu aligné sur la ligne guide choisit sur le côté droit de la plaque d'aiguille. Abaissez le pied presseur, ensuite appuyer sur le rhéostat pour débiter la couture. Débutez votre couture en cousant 2 à 3 points vers l'avant et 2 à 3 point vers l'arrière (voir page 20) pour renforcé la couture.

✓ Utilisez un stabilisateur (voir Annexe) en dessous du tissu si le tissu cherche à plisser ou s'enrouler en cousant.

✓ Il pourrait être utile de diminuer la tension du fil supérieur de 1 à 2 valeurs lorsque vous cousez des points décoratifs. Ceci préviendra d'apercevoir le fil de la canette sur l'endroit du tissu lorsque vous cousez des points denses.

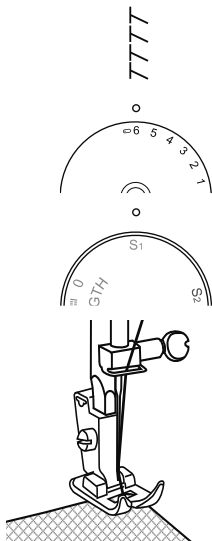


Le point extensible est utilisé pour les tricots. Ce type de couture s'étirera avec le tissu. (Voir www.singerco.com pour plus de points extensible qui peuvent être utilisés.)

COMMENT:

1. Réglez la machine sur le point désiré en déplaçant le Cadran de Sélections des Motifs sur un des points extensible disponible. (Voir page 19)
2. Réglez le Cadran de la Largeur du Point entre 2 et 6 dépendant de la largeur du point que vous voulez obtenir. (Voir page 19)
3. Réglez le Cadran de la Longueur du Point sur Extensible S1 pour les points bleue ou S2 pour les points rouge. (Voir la page 19)

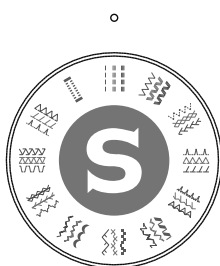
POUR COUDRE: Un Point Surjet



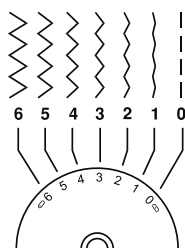
1. Déplacez le Cadran de Sélection des Motifs de façon à ce que le point de Surjet soit directement en dessous du point rond de la machine.
2. Réglez le Cadran de la Largeur du Point de façon à ce que la valeur 6 soit directement en avant du point rond sur le dessus de la machine.
3. Réglez le Cadran de la Longueur du Point de façon à ce que S1 soit directement en dessous du point rond de la machine.
4. Placez le tissu en dessous du pied Tout-Usage avec le rebord droit du tissu aligné sur la ligne guide choisit sur le côté droit de la plaque d'aiguille. Abaissez le pied presseur, ensuite appuyer sur le rhéostat pour débiter la couture. Débutez votre couture en cousant 2 à 3 points vers l'avant et 2 à 3 point vers l'arrière (voir page 20) pour renforcé la couture.

Couture d'une Boutonnière en 1-étape

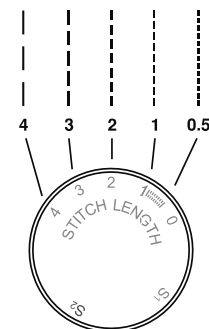
Cadran de Sélection des Motifs



Cadran de la Largeur du Point



Cadran de la Longueur du Point

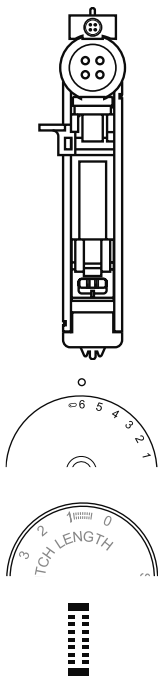


Cette machine comporte un mécanisme incorporé pour confectionner des boutonnières, vous permettant de coudre des boutonnières en 1 étape facile. Vous pouvez voir les réglages en gris, pour la boutonnière sur le Cadran de Sélection des Motifs.

COMMENT:

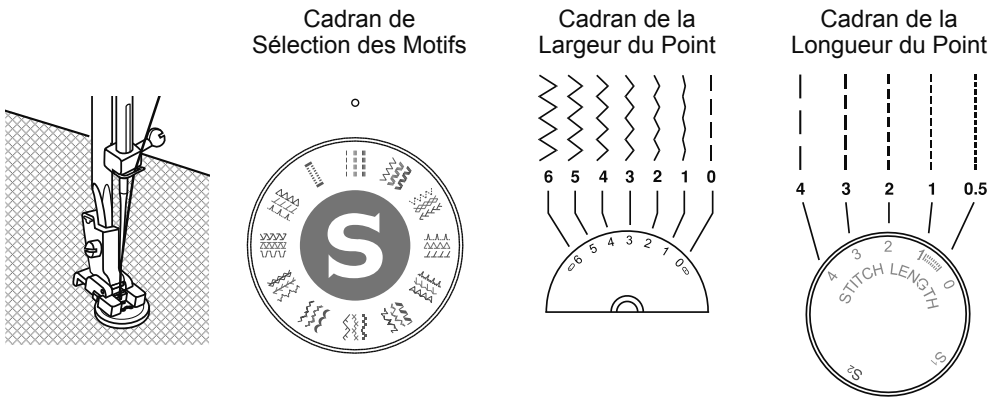
1. Réglez la machine sur le point désiré en déplaçant le Cadran de Sélections des Motifs sur le point de boutonnière. (Voir page 19)
2. Réglez le Cadran de la Largeur du Point à 6, la valeur le plus élevée. (Voir page 19)
3. Réglez le Cadran de la Longueur du Point dans la zone de réglage de la boutonnière. (Voir page 19)

POUR COUDRE: Buttonhole Stitch



1. Placez le bouton à l'arrière du pied de boutonnière. Marquez le placement et la longueur de la boutonnière sur le tissu.
2. Retirez le pied tout usage et fixer le pied boutonnière (voir page 26). Passez le fil supérieure à travers le trou du pied et amener le vers la gauche.
3. Déplacez le Cadran de Sélection des Motifs de façon à ce que le symbole de la boutonnière soit directement en dessous du point rond de la machine.
4. Réglez le Cadran de la Largeur du Point de façon à ce que la valeur 6 soit directement en avant du point rond sur le dessus de la machine.
5. Déplacez le Cadran de Longueur de Point de façon à ce que le symbole de la boutonnière soit directement en dessous du point rond de la machine.
6. Placez le tissu sous le pied de sorte que la marque de ligne de centre de votre tissu est aligner avec le centre du pied et que la marque de ligne transversale sur le tissu soit aligné avec le trou du pied boutonnière. Abaisser le pied presseur.
7. Tirez le levier de boutonnière vers le bas, puis pousser doucement vers l'arrière. Le levier de boutonnière doit se positionner devant l'encoche situé sur la gauche du pied.
8. Tenez légèrement le fil supérieur, cousez jusqu'à temps que la boutonnière soit terminer.
9. Retournez le levier de boutonnière à sa propre position, une fois que toutes les boutonnières sont terminer.

- Utilisez un stabilisateur en dessous du tissu pour soutenir les points.
- Pour de meilleurs résultats ; réduisez légèrement la tension du fil supérieure de 1 à 2 valeur.
- Toujours pratiquer sur une pièce supplémentaire de tissu.
- Pour sécuriser les queues de fil, utilisez une aiguille à la main pour passer le fil supérieur au dos et nouer.

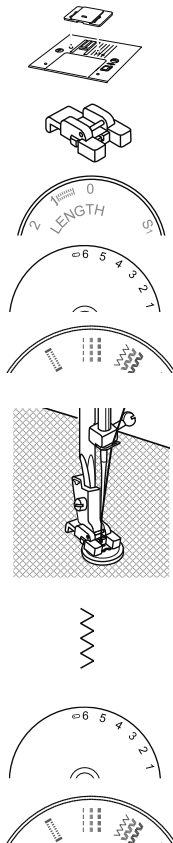


Cette machine inclut un pied pour bouton, vous permettant de fixer des boutons à vos projets facilement et rapidement.

COMMENT:

1. Réglez la machine sur le point droit en déplaçant le Cadran de Sélections des Motifs sur le point droit. (Voir page 19)
2. Réglez le Cadran de la Largeur du Point sur la valeur 6 pour débiter. Cela placera l'aiguille à la position gauche. (Voir page 19)
3. Réglez le Cadran de la Longueur du Point sur la valeur 0 pour débiter. (Voir la page 19)


POUR COUDRE: Pose de Bouton



1. Fixez la plaque de reprisage à la plaque d'aiguille directement en dessous du pied presseur. Pour ce faire, aligner les tiges situées en dessous de la plaque à repriser avec les trous de la plaque d'aiguille. Presser sur la plaque pour la fixer en place.
2. Enlevez le pied Tout-Usage et installez le pied pour Bouton. (Voir page 26).
3. Réglez le Cadran de la Longueur du Point de façon à ce que la valeur 0 soit directement en dessous du point rond de la machine.
4. Réglez le Cadran de la Largeur du Point de façon à ce que la valeur 6 soit directement en avant du point rond sur le dessus de la machine.
5. Déplacez le Cadran de Sélections des Motifs de façon à ce que le symbole représentant le point Droit soit directement en dessous du point rond de la machine.
6. Placez le bouton sur le tissu, alignez ensuite le bouton directement sous la partie avant du Pied pour Bouton de façon à ce que les 2 trous du bouton apparaissent à l'avant du pied. Tournez le volant, à la main, vers vous pour vous assurer que l'aiguille pénètre dans le trou de gauche. Appuyez sur le rhéostat et coudre 3 à 4 points d'arrêt. Tournez le volant, à la main, vers vous pour faire sortir l'aiguille du tissu.
7. Déplacez le Cadran de Sélections des Motifs de façon à ce que le symbole représentant le point Zigzag soit directement en dessous du point rond de la machine. Réglez le cadran pour que l'aiguille se déplace d'un trou à l'autre sans interférence. Pour vérifier le mouvement, tourner le volant manuellement vers vous à plusieurs reprises pour vous assurer que l'aiguille ne touche pas le bouton.
8. Réglez le Cadran de la Largeur du Point de façon à ce que la valeur 6 soit directement en avant du point rond sur le dessus de la machine.
9. Déplacez le Cadran de Sélections des Motifs de façon à ce que le symbole représentant le point Droit soit directement en dessous du point rond de la machine.
10. Appuyez sur le rhéostat et coudre 3 à 4 points d'arrêt.



Insérez et Remplacez une Aiguille

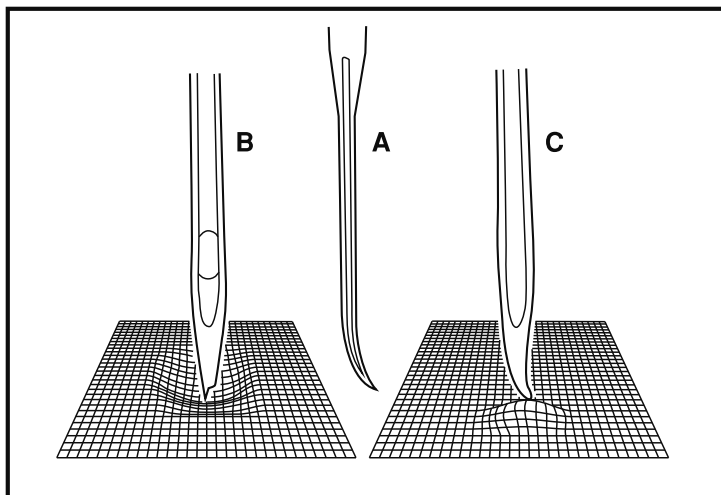
 Placez l'interrupteur de la machine en position ("O") avant de remplacer l'aiguille.

Changez l'aiguille régulièrement, particulièrement si elle montre des signes d'usure qui pourrait causer des problèmes. L'aiguille peut montrer des signes d'usure lorsque vous apercevez des accrocs dans le tissu ou entendez un claquement lorsque vous vous cousez.

Si l'aiguille est courbée (A), la pointe est endommagée (B) ou l'aiguille est émoussée (C), vous devrez la remplacer par une nouvelle aiguille et jeter la vieille.

Généralement, l'aiguille devrait être remplacée à tous les 4 projets ou approximativement toutes les 16 heures de couture.

Il est aussi important d'utiliser la bonne aiguille pour le tissu à coudre. (Visiter www.singerco.com pour voir le Guide de Reference des Points) Pour de meilleurs résultats, utilisez des aiguilles de marque **SINGER®** dans votre machine à coudre **SINGER®**.

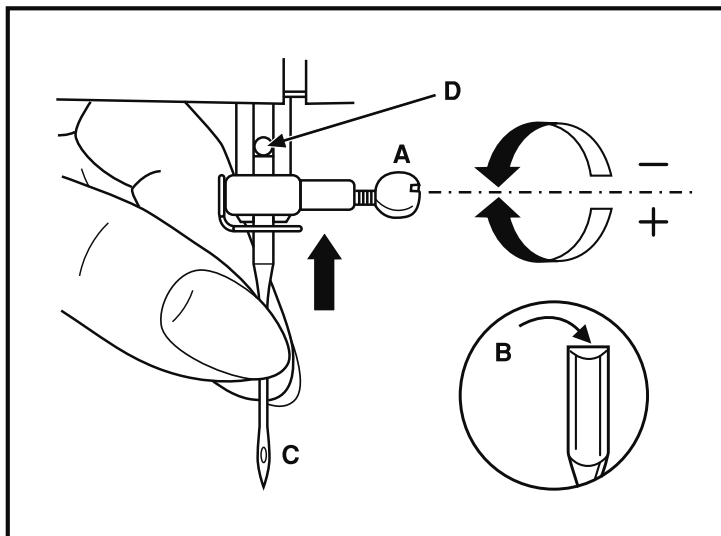


Desserrez la vis d'arrêt d'aiguille (A) en tournant la vis vers vous.

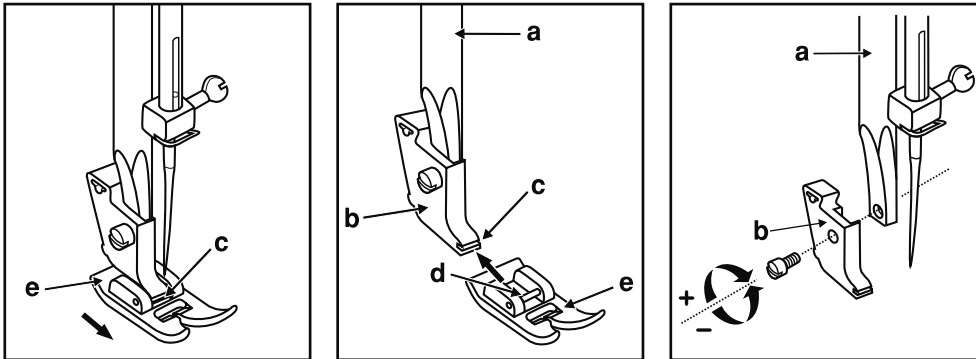
Insérez la nouvelle aiguille, en vous assurant que le côté plat de la partie supérieure de l'aiguille fait face au dos de la machine (B).

Insérez la nouvelle aiguille aussi profondément que possible (C).

Serrez la vis d'arrêt d'aiguille (A) solidement en la tournant vers l'arrière.



⚠ Placez l'interrupteur de la machine en position ("O") avant de remplacer le pied.



Soulevez le levier du pied presseur, avant de remplacer le pied presseur.

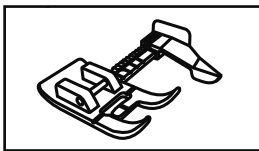
Le support du pied presseur (b) est fixé à la barre du pied (a). Le pied presseur (e) a une tige (d) qui s'insère dans le support du pied presseur (b). Le support du pied presseur a une rainure (c) à l'avant, qui maintient le pied presseur en place.

Pour enlever le pied presseur de son support, tirez le pied presseur (e) vers vous pour le dégager de la rainure (c). Le pied sera ainsi relâché. Pour fixer un pied presseur au support du pied, faire glisser la tige (d) du pied presseur (e) dans la rainure (c) du support. Le pied s'enclenchera en place.

Certains pieds presseurs optionnels demandent que vous enleviez le support du pied de la machine. Pour enlever le support du pied de la machine, desserrez et enlevez la vis qui retient le support du pied presseur sur la barre du pied presseur (a), enlever ensuite le support du pied (b). Pour replacer le support du pied, installez le support sur la barre du pied presseur et ensuite remplacez et serrez la vis qui retient le support.

➔ Cette machine a un support pour pied bas et des pieds presseurs à enclenchement. Lors de l'achat de pieds presseurs optionnels et d'accessoires pour votre machine, recherchez les pour le type de support pour pied bas et à enclenchement.

Pied Couture Facile



CET ARTICLE EN PRIME N'EST PAS INCLUS AVEC MACHINES VENDUS DANS CERTAINS DOMAINES ET PEUT ETRE UN ACCESSOIRE FACULTATIF. POUR OBTENIR DES INFORMATIONS SUR L'ACHAT DE CET ARTICLE, VISITER WWW.SINGERCO.COM.

Le Pied Couture Facile dispose d'un guide pour vous aider à réaliser les coutures les plus précises à chaque fois. Le pied a une extension marquée avec les surplus de couture les plus populaires et un guide de tissu mobile, qui peut être réglé où vous voulez pour le projet que vous faites.

1. Fixez le Pied Couture Facile.
2. Sélectionnez le Point Droit.
3. Avec votre aiguille positionnée au centre, utilisez le guide pour sélectionner 3/8" (0.9 cm), 1/2" (1.3 cm), 5/8" (1.6 cm), 3/4" (1.9 cm), et même 1" (2.5 cm) de surplus de couture.
4. Placez votre tissu sous le pied, en alignant les bords bruts avec le guide sur le pied. Abaissez le levier du pied presseur, puis coudre.

1. Le Fil fait des Boucles en Dessous.
2. Le Fil de la Canette Apparaît sur le Dessus du Tissu.
3. Le Fil Supérieur Casse
4. Le Fil s'Effiloche
5. Le Fil s'Emmêle au début
6. Points Sautés
7. Difficulté à Bobiner une Canette
8. Le Fil de la Canette se Brise
9. Les Aiguilles se Cassent
10. Les Points sont Irréguliers
11. Le Tissu Plisse
12. Le Tissu Forme un "Tunnel" en Dessous des Points
13. La Machine N'Entraîne pas le Tissu
14. L'Enfileur de Chas d'Aiguille ne Fonctionne pas
15. Bruit Fort lors de la Couture
16. La Machine ne Fonctionne pas

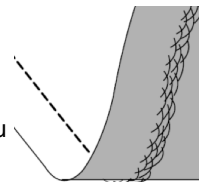
1. LE FIL FAIT DES BOUCLES EN DESSOUS DU TISSU

Cause Possible: la formation de boucle de fil en dessous du tissu est toujours une indication que le fil supérieur n'a pas été correctement enfilé. Ceci arrive habituellement lorsque le fil supérieur n'est pas inséré correctement dans le mécanisme de tension ainsi que dans le levier releveur de fil.

Solution: réenfilez la machine, en vous assurant au préalable de lever le pied presseur avant de procéder à l'enfilage, de cette façon le fil s'insèrera correctement dans le mécanisme de tension et dans le levier releveur de fil. (Voir page 14)

Pour savoir si vous avez bien réenfilé la machine, faites ce simple test:

- Levez le pied presseur et enfiler la partie supérieure de la machine.
- Enfilez l'aiguille mais ne placez pas, pour le moment, le fil en dessous du pied presseur.
- Descendez le pied presseur. En tirant le fil supérieur du côté gauche, vérifiez si vous remarquez une résistance. Si c'est le cas; cela signifie que vous n'avez pas fait l'enfilage correctement.
- Placez le fil en dessous du pied presseur et ensuite faites remonter le fil de la canette. Faites passer les deux fils en dessous du pied presseur et vers l'arrière de la machine. Abaissez le pied presseur et débutez une couture.



Si après avoir descendu le pied presseur, vous ne remarquez aucune résistance en tirant le fil (vous ne remarquez aucune différence peu importe que le pied presseur soit élevé ou abaissé), cela veut dire que l'enfilage n'a pas été fait correctement. Retirez le fil supérieur et réenfilez la machine.

2. LE FIL DE LA CANETTE APPARAÎT SUR LE DESSUS DU TISSU

Cause Possible: la tension du fil supérieur est trop grande.

Solution: réduire la tension du fil supérieur. (Voir page 18)

Cause Possible: le chemin du fil est obstrué, ce qui augmente la tension du fil supérieur.

Solution: vérifiez que le chemin du fil supérieur n'est pas obstrué et que le fil se déplace facilement à l'intérieur. (Voir page 14)

Cause Possible: le fil de la canette n'est pas inséré dans la tension du boîtier de la canette.

Solution: réenfilez la canette. (Voir page 13)

3. LE FIL SUPÉRIEUR CASSE

Cause Possible: le chemin du fil est obstrué.

Solution: vérifiez si le fil supérieur n'est pas coincé dans la bobine (une partie rugueuse sur la bobine elle-même), en arrière de la bobine ou du chapeau de bobine (si le fil est tombé en arrière du chapeau de bobine et ainsi ne peut alimenter la machine librement). (Voir page 14)

Cause Possible: la machine n'est pas enfilée correctement.

Solution: enlevez complètement le fil supérieur, lever le pied presseur, réenfilez la machine en vous assurant que le fil soit insérer correctement dans le levier releveur de fil (soulevez le levier releveur de fil dans sa position la plus haute en tournant le volant, à la main, vers vous. (Voir page 14)

Cause Possible: la tension supérieure est trop grande.

Solution: réduire la tension du fil supérieur. (Voir page 18)

4. LE FIL S'EFFILOCHE

Cause Possible: Le fil est trop vieux ou de mauvaise qualité.

Solution: réenfilez le fil supérieur et de la canette avec du fil de bonne qualité. (Voir page 14)

Cause Possible: l'aiguille est ou bien usée ou trop vieille, il se peut que le fil utilisé ne soit pas le bon type ou de la bonne grosseur. Quoiqu'il en soit dans la majorité des cas, lorsque le fil s'effiloche, le problème est habituellement causé par l'aiguille. Si l'aiguille est vieille ou usée, ou si l'aiguille est trop petite pour l'épaisseur du fil, le chas de l'aiguille peut causer que le fil s'effiloche.

Solution: remplacez l'aiguille par une nouvelle de la bonne dimension pour l'épaisseur/poids du fil utilisé. (Voir page 25)

5. LE FIL S'EMMÊLE AU DÉBUT

Cause Possible: le fil supérieur et celui de la canette n'ont pas été placé en dessous du pied presseur avant de débiter la couture.

Solution: assurez-vous que les deux fils sont placés en dessous du pied presseur et dirigé vers l'arrière de la machine avant de débiter la couture. (Voir page 20)

Cause Possible: la couture à débiter avant d'avoir placé le tissu en dessous du pied.

Solution: placez le tissu sous le pied en vous assurant que l'aiguille descende dans le tissu; tenir légèrement les deux fils pour les premier points de couture. (Voir page 20)

6. POINTS SAUTÉS

Cause Possible: l'aiguille n'est pas bien insérée.

Solution: vérifiez que le côté plat de l'aiguille fait face vers l'arrière de la machine et que l'aiguille est insérée le plus profondément possible ensuite serrez la vis du pince aiguille. (Voir page 25)

Cause Possible: l'aiguille n'est pas du bon type pour le tissu à coudre.

Solution: utiliser le bon type et grosseur d'aiguille pour le tissu à coudre. (Voir le Guide de Référence des Points au www.singerco.com)

Cause Possible: l'aiguille est courbée, émoussée ou endommagée.

Solution: jetez l'aiguille et remplacez là par une nouvelle. (Voir page 25)

7. DIFFICULTÉ A BOBINER UNE CANETTE

Cause Possible: le fil de la bobine est mal enroulé sur la canette.

Solution: rembobinez la canette en vous assurant que le fil est inséré correctement dans les disques de tension du bobineur. (Voir page 12)

Cause Possible: l'axe du bobineur n'est pas engagé complètement ce qui empêche la canette de se bobiner correctement.

Solution: vérifiez que l'axe du bobineur est engagé complètement avant de débiter à bobiner la canette. (Voir page 12)

Cause Possible: le fil de la canette est mal enroulé parce que la queue de fil n'a pas été maintenue au début du processus de bobinage.

Solution: avant de débiter le bobinage, tenir la queue de fil (la partie qui sort du trou de la canette) fermement, débiter le bobinage pour remplir partiellement la canette, ensuite arrêter et couper la queue de fil le plus près possible de la canette. (Voir page 12)

8. LE FIL DE LA CANETTE CASSE

Cause Possible: la canette n'est pas enfilée correctement.

Solution: vérifiez que la canette a été mise en place correctement dans le boîtier de la canette. (Voir page 13)

Cause Possible: la canette est trop pleine ou n'a pas été enfilée également.

Solution: le fil de la bobine n'a peut-être pas été inséré correctement dans les disques de tension du bobineur pendant le processus de bobinage de la canette. (Voir page 12)

Cause Possible: de la mousse ou de la bourre de tissu s'est accumulé dans le boîtier de la canette.

Solution: nettoyez le boîtier de la canette. (Voir page 32)

Cause Possible: pas le bon type de canette.

Solution: utilisez des canettes **SINGER®** du même type que celle fournie avec la machine – n'utilisez pas de substitue. Votre machine est livrée avec des canettes transparente **SINGER®** de type Classe 15.

9. LES AIGUILLES SE CASSENT

Cause Possible: l'aiguille est courbée, émoussée ou endommagée.

Solution: jetez l'aiguille et remplacez-la par une nouvelle. (Voir page 25)

Cause Possible: l'aiguille n'est pas du bon type pour le tissu à coudre.

Solution: utiliser le bon type et grosseur d'aiguille pour le tissu à coudre. (Voir le Guide de Référence des Points au www.singerco.com)

Cause Possible: la machine n'est pas enfilée correctement.

Solution: réenfilez la machine complètement. (Voir page 14)

Cause Possible: "poussez" ou "triez" le tissu.

Solution: ne poussez / ne tirez pas sur le tissu lorsque vous cousez, laissez plutôt les griffes d'entraînement de la machine déplacer le tissu en dessous du pied presseur tout en le guidant simplement. (Voir page 20)

10. LES POINTS SONT DÉFORMÉS

Cause Possible: Cause Possible: “poussez” ou “tirez” le tissu.

Solution: ne poussez / ne tirez pas sur le tissu lorsque vous cousez, laissez plutôt les griffes d'entraînement de la machine déplacer le tissu en dessous du pied presseur tout en le guidant simplement.

Cause Possible: mauvais réglage de la longueur du point.

Solution: voir les réglages de la longueur et la largeur du point dans ce manuel. (Voir le Guide de Référence des Points au www.singerco.com)

Cause Possible: un stabilisateur pourrait être utilisé pour cette technique de couture.

Solution: placez un stabilisateur en dessous du tissu. (Voir L'Annexe)

11. LE TISSU FRONCE

Cause Possible: la tension du fil supérieur est trop serrée.

Solution: réduisez la tension du fil supérieur. (Voir page 18)

Cause Possible: la longueur du point est réglée à un point trop court pour le type de tissu à coudre.

Solution: augmentez la longueur du point. (Voir le Guide de Référence des Points au www.singerco.com)

Cause Possible: mauvais type d'aiguille le tissu à coudre.

Solution: utilisez le bon type d'aiguille. (Voir le Guide de Référence des Points au www.singerco.com)

Cause Possible: aiguille trop grosse pour le tissu.

Solution: changez pour une aiguille plus petite. (Voir page 25)

12. LE TISSU FORME UN “TUNNEL” EN DESSOUS DES POINTS

Cause Possible: le tissu n'est pas assez rigide pour la densité du point (par exemple, un point bourdon pour appliqué).

Solution: placez un stabilisateur en dessous de la couture pour empêcher les points de former un tunnel et de froncer le tissu. (Voir L'Annexe)

13. LA MACHINE N'ENTRAÎNE PAS LE TISSU

Cause Possible: le pied presseur n'a pas été abaissé sur le tissu après l'enfilage de la machine.

Solution: abaissez le pied presseur avant de débuter une couture. Ne tirez ou ne poussez pas le tissu en cousant.

Cause Possible: les griffes d'entraînement sont recouvertes par la Plaque de Reprisage.

Solution: les griffes d'entraînement ont été recouvertes, enlevez la Plaque de Reprisage et recommencer la couture.

Cause Possible: la longueur du point est réglée à zéro.

Solution: augmentez la longueur du point.

14. L'ENFILEUR DE CHAS D'AIGUILLE NE FONCTIONNE PAS

(Pour les modèles qui ont un enfileur de chas d'aiguille automatique incorporé)

Cause Possible: l'aiguille n'est pas à la bonne position.

Solution: élevez l'aiguille le plus haut possible en tournant le volant vers vous. (Voir page 15)

Cause Possible: l'aiguille n'a pas été insérée correctement.

Solution: insérez l'aiguille le plus haut possible dans le pince aiguille. (Voir page 25)

Cause Possible: l'aiguille est courbée.

Solution: remplacez l'aiguille courbée par une nouvelle aiguille. (Voir page 25)

Cause Possible: le crochet d'enfilage est endommagé.

Solution: l'enfileur de chas d'aiguille doit être remplacé; contacter le centre de service sur garantie autorisé **SINGER**® ou visiter le site à www.singerco.com.

15. BRUIT FORT LORS DE LA COUTURE

Cause Possible: le fil n'est pas dans le releveur de fil.

Solution: réenfilez la machine, en vous assurant que le releveur de fil soit le plus haut possible pour que le fil entre dans le chas du releveur de fil en tournant le volant vers vous. (Voir page 14)

Cause Possible: le chemin du fil est obstrué.

Solution: vérifiez si le fil supérieur n'est pas coincé sur la bobine de fil ou en arrière du chapeau de bobine. (Voir page 14)

16. LA MACHINE NE FONCTIONNE PAS

Cause Possible: l'axe du bobineur est engagé lorsque vous avez essayé de coudre.

Solution: désengagez l'axe du bobineur. (Voir page 12)


Cause Possible: le cordon d'alimentation et/ou le rhéostat n'est pas brancher correctement.

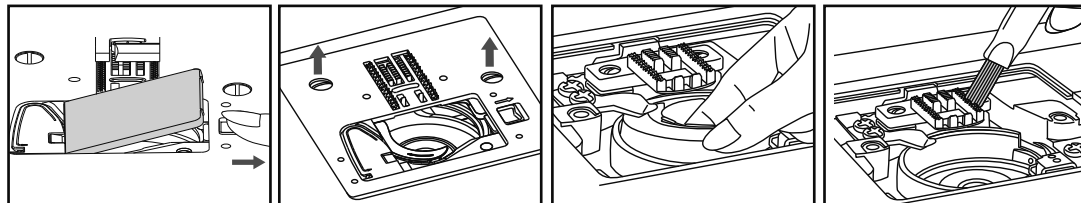
Solution: assurez-vous que le cordon d'alimentation et/ou le rhéostat est brancher correctement. (Voir page 11)

Cause Possible: la canette utilisée n'est pas la bonne.

Solution: utilisez seulement des canettes de marque **SINGER**® qui sont identique à celle fourni avec votre machine. (Voir page 10)

Nettoyage des Griffes & Autour de la Navette

 Avant de nettoyer la machine, débrancher la machine de la prise électrique murale. Élevez l'aiguille le plus haut possible en tournant le volant vers vous. Soulevez le levier du pied presseur.



Pour vous assurer du bon fonctionnement de votre machine, il est essentiel de garder toutes les pièces principales propres. Pour une machine qui est utilisée tous les jours il est recommandé de la nettoyer chaque semaine.

1. Retirez le couvercle de la canette et le pied presseur. (Voir page 26) Le retrait du pied presseur fournira un meilleur accès à la plaque d'aiguille et la région de la navette.
2. Retirer les 2 vis de la plaque d'aiguille à l'aide du tournevis L fourni avec la machine. Enlever la plaque d'aiguille.
3. Retirer la canette du boîtier.
4. Prendre la main sur le boîtier avec le pouce et l'index à environ 07 heures. Poussez-le légèrement vers la droite et il sera facilement glisser hors de la zone de la navette. En utilisant la petite brosse qui a été fourni avec votre machine, enlever les peluches de la zone de la navette, ainsi que la zone des griffes d'entraînement.
5. Votre machine a été pré-lubrifiée à l'usine; à la suite huiler la zone de la navette n'est pas nécessaire.
6. Pour réinsérer le boîtier de la canette, assurez-vous que l'aiguille est dans la position la plus élevée. (Le releveur de fil doit être visible sur le dessus de la machine).
7. Prendre la main sur le boîtier de canette avec le pouce et l'index à 6 heures directement sur la vis gauche à l'avant centre de la navette.
8. Guider l'extrémité fourchue du boîtier sous les griffes d'entraînement et ensuite guider le boîtier de droite à gauche, jusqu'à ce qu'il soit bien en place dans la navette. Veiller à ce que le boîtier de canette est dans la bonne position, tournez le volant vers vous; la navette doit tourner librement dans le sens inverse des aiguilles d'une montre.
9. Assurez-vous que l'aiguille est à nouveau à la position la plus haut. Repositionner la plaque d'aiguille sur les griffes d'entraînement et fixer en place à l'aide des 2 vis retirées plus tôt
10. Fixez le pied presseur, insérer la canette et remplacer le couvercle de canette. Vous êtes maintenant prêt à coudre.

La Lumière

Cet appareil est équipé d'un éclairage LED, qui devrait durer la vie de la machine.

Veillez contacter un agent de service local, si la lumière néanmoins nécessite un remplacement.

Lexique des Termes de Machine à coudre**Point Arrière**

Le Point Arrière est généralement utilisé au début et à la fin d'une couture pour empêcher qu'elle ne se défasse. Commencez à coudre le début de la couture environ 3-4 points, coudre ensuite en marche-arrière 3-4 points. Coudre vers l'avant de nouveau pour terminer la couture, ensuite coudre en marche-arrière 3-4 points, coudre de nouveau vers l'avant pour terminer.

Faufiler

Le Faufilage est une couture provisoire, utilisant un point droit espacé et une tension réduite. Cette couture provisoire maintient les tissus ensemble, mais est destinée pour être enlevé. Par exemple, faufiler le rebord d'une jupe pour vérifier sa longueur et ensuite faire la couture finale puis retirer le point de faufil.

Bras Libre

Pour être en mesure de coudre de petits projets en forme de tube comme les jambes d'un pantalon, les manches etc. vous devrez retirer le compartiment de rangement amovible de la machine vous donnant accès au bras libre.

Entoilage

L'entoilage est un matériel spécialement conçu, inséré entre deux pièces de tissu, pour donner plus de corps à une partie d'un vêtement, par exemple, des manchettes, des cols, des doubles pattes, etc. Il peut être utilisé lors de la confection de boutonnières pour aider à garder le tissu stable en le cousant.

Bord Brut

Le bord brut du tissu se réfère au bord qui a été coupé et qui devient normalement le bord de la marge de couture.

Couture

Une couture est un ensemble de points cousus qui joignent deux pièces de tissus ensemble, incluant aussi la ligne de couture principale et la marge de couture.

Marge de couture

La marge de couture correspond à la partie entre la couture et le bord brut du tissu. En général la marge de couture est de 1,25 cm (1/2") et 1.6 cm (5/8").

Surfiler

Le surfilage est une couture utilisée sur le bord brut d'un tissu pour éviter qu'il ne s'enroule ou s'effiloche.

Stabilisateur

Le stabilisateur est un matériel spécialement conçu pour donner un support additionnel aux coutures lors de l'utilisation de techniques de couture spécialisées comme la couture décorative, les appliqués, les boutonnières et plus encore.

Surpiqûre

La surpiqûre, est une couture au point droit qui apparaît sur le dessus du tissu, elle est utilisée pour raffermir, embellir ou faire les deux.



Veillez noter qu'en cas de mise au rebut, ce produit doit bénéficier d'un recyclage sécurisé, conforme à la législation nationale applicable aux produits électriques/électroniques. Ne jetez pas les appareils électriques avec les ordures municipales générales, utilisez des centres de collecte prévus à cette fin. Contactez votre gouvernement local pour obtenir des informations au sujet des systèmes de collecte disponibles. Lorsque vous remplacez un ancien appareil par un nouveau, le distributeur peut être légalement obligé de reprendre votre ancien appareil pour le mettre au rebut, sans frais.

Le dépôt d'appareils électriques dans une décharge municipale présente le risque de fuite de substances dangereuses dans les nappes phréatiques, qui peuvent ensuite s'introduire dans la chaîne alimentaire, devenant ainsi un risque pour votre santé et votre bien-être.



SINGER®

SINGER® est une marque enregistré de The **SINGER®** Company Limited ou de ses sociétés affiliées.
©2016 The **SINGER®** Company Limited ou ses sociétés affiliées. Tous droits réservés.