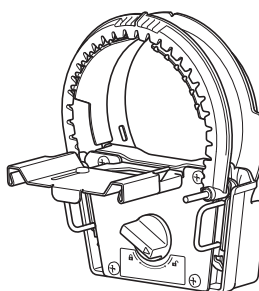
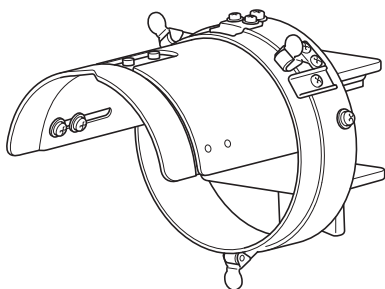
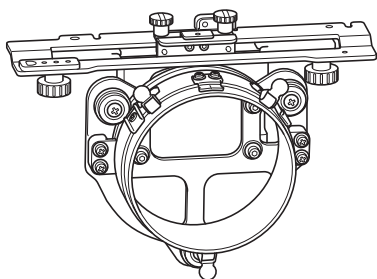


Cap Frame Set User Manual

Manuel de l'utilisateur de l'unité de cadre pour
casquettes

Manual de usuario del juego de bastidor para
gorras

Manual do usuário para o conjunto de bastidor
para boné

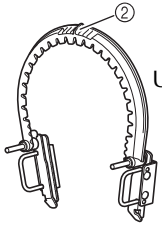
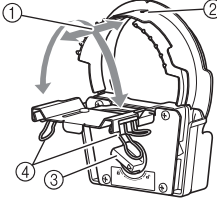
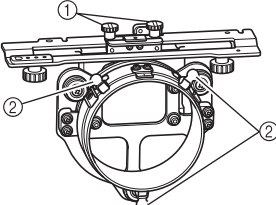
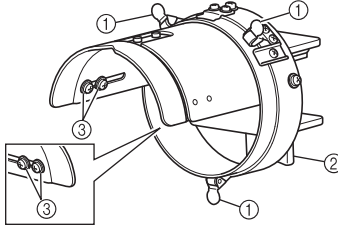
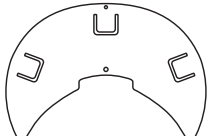
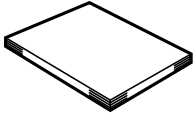





Using the Cap Frame

By using the cap frame, patterns can be embroidered onto caps and hats. The procedures for using the cap frame are described below.

Cap frame and its accessories

Check that the following cap frame, cap frame driver, cap frame mounting jig and the accessories are included. If any item is missing or damaged, contact your sales representative.

<p>Cap frame: Upper frame/Lower frame</p> <ol style="list-style-type: none"> Embroidering area: 130 mm (W) × 60 mm (H) (5-1/8 inches (W) × 2-3/8 inches (H)) Marks indicating the center of the embroidering area Lock knob Used when attaching and removing the upper frame. Clips Found here when the frame is purchased. Use to attach the cap to the cap frame.  <p>Upper frame</p>  <p>Lower frame</p> <ul style="list-style-type: none"> When the frame is purchased, the upper and lower frames are attached together. 	<p>Cap frame driver and 4 thumb screws</p> <p>In order to install the cap frame onto the carriage, remove the embroidery frame holder, and then attach this cap frame driver to the carriage of the machine.</p> <ol style="list-style-type: none"> Install the thumb screws in these holes and tighten the screws to secure the movable section. Use these holes when storing this cap frame driver. Holding springs The cap frame is secured with the three holding springs. 	<p>Mounting jig</p> <p>Use to frame a cap in the cap frame.</p> <ol style="list-style-type: none"> Holders The cap frame is secured with the three holders. Mounting bracket Tighten the thumb screw to secure to a mounting surface, such as a table. Screws Adjust the size of the mounting jig according to the type of cap being embroidered. 
	<p>Brim protector</p> <p>Prevents the brim of the cap from rubbing against the machine and becoming damaged during sewing.</p> 	<p>User Manual</p> 
<p>Pad</p> 	<p>Allen screwdriver (large)</p> 	<p>Allen screwdriver (medium)</p> 

Note

- Before using this frame, make sure that your machine's software has been updated to the latest version.
- Before installing the cap frame, be sure to adjust the ring of the cap frame driver and the height of the L-shaped bracket. (If the same machine is being used, this adjustment is only required the first time that the machine is used.)
- After the ring of the cap frame driver and the height of the L-shaped bracket (refer to page 5) have been adjusted, they must be adjusted again if a different machine is used. The height may differ depending on the machine that is used. For details, contact your authorized dealer.
- When the cap frame is attached to the machine, the following embroidery frame indicator appears.



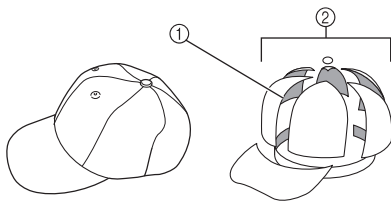
Types of caps

With this machine, we recommend that the following types of caps be embroidered. An Otto International, Inc. cap is used here as an example.

(* The ease of framing shown in the table is as evaluated by our company.)

- Any trade names and product names of companies appearing on our products, related documents and any other materials are all trademarks or registered trademarks of those respective companies.

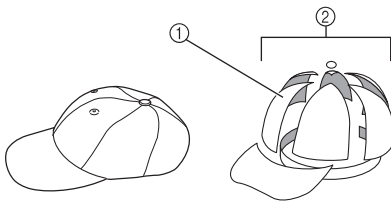
■ Standard (pro style)



- ① Face: Pro style
- ② 6 sections

Mesh backing at back of front panels (soft or hard*)	Constructed firm front	Unconstructed soft crown
Ease of framing* (hooping)	Easy (Recommended)	Fairly easy
Backing	1- to 2-ply	2- to 3-ply
Otto International, Inc. cap model number (Example)	OTTO27-007	

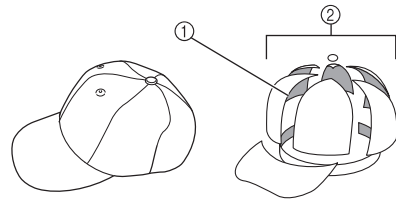
■ Low profile (low fitting)



- ① Face: Low fitting
- ② 6 sections

Mesh backing at back of front panels (soft or hard*)	Constructed firm front	Unconstructed soft crown	Constructed firm front
Ease of framing* (hooping)	Easy	Fairly easy	Easy
Backing	1- to 2-ply	2- to 3-ply	1- to 2-ply
Otto International, Inc. cap model number (Example)	OTTO23-255	OTTO18-202	OTTO65-758 (for children)

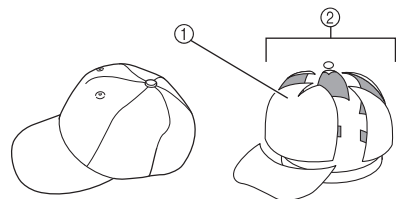
■ Flat visor



- ① Face: Pro style
- ② 6 sections

Mesh backing at back of front panels (soft or hard*)	Constructed firm front	Constructed firm front
Ease of framing* (hooping)	Easy	Easy
Backing	1- to 2-ply	1- to 2-ply
Otto International, Inc. cap model number (Example)	OTTO125-1038	OTTO145-1044 (for children)

■ Golf style

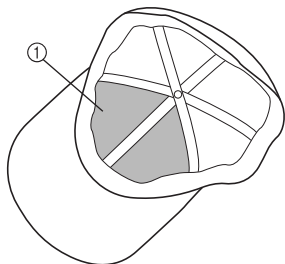


- ① Face: Not divided
- ② 5 sections

Mesh backing at back of front panels (soft or hard*)	Constructed firm front
Ease of framing* (hooping)	Fairly easy
Backing	1- to 2-ply
Otto International, Inc. cap model number (Example)	OTTO37-024

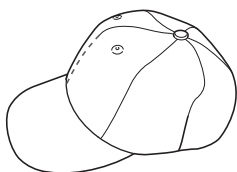
Memo

- Check if area ① is covered with mesh. (A cap with mesh is shown below.)



Note

- There is no centerline that can be used as a guide for placing the cap in the cap frame. Before framing the cap, use a chalk pencil to mark the centerline.



■ Caps not recommended for embroidering

- Caps with a front panel that is less than 50 mm (2 inches) high (such as a sun visor)
- Caps with a brim that is longer than 80 mm (3-1/16 inches)

Fabric precautions

■ Cap fabric recommended for embroidering

- 35% cotton/65% polyester
- 100% cotton
- 80% wool/20% nylon
- 15% wool/85% acrylic

■ Cap fabric not recommended for embroidering

Caps of the following types of fabric are very difficult to frame, may wrinkle, or may shrink.

- Polyester foam
- Stretch fabrics
- Melton wool
- 100% nylon
- Suede

Preparing to use the cap frame

■ Installing the cap frame driver

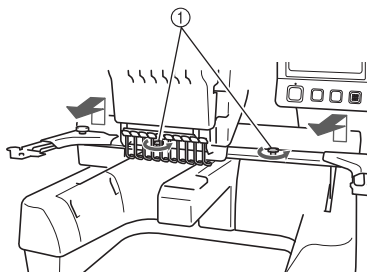
Remove the embroidery frame holder from the carriage of the machine, and then install the cap frame driver. Before removing the embroidery frame holder, remove the embroidery frame.

! CAUTION



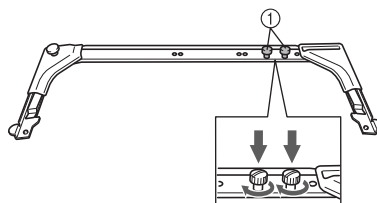
- Before changing any embroidery frame holder, make sure your machine is turned off.

- 1 Loosen the two thumb screws, and then remove the embroidery frame holder and thumb screws.



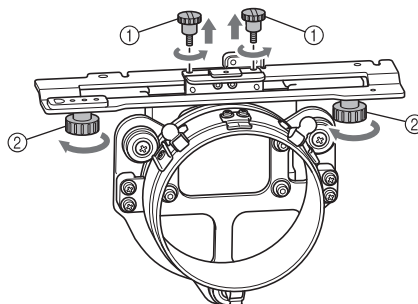
- ① Thumb screws

- The thumb screws should remain attached to the embroidery frame holder.



- ① Store the two thumb screws in the embroidery frame holder so they will not be lost.

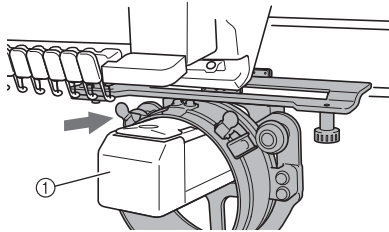
- 2 Remove the two upper thumb screws of the cap frame driver, and then loosen the two lower thumb screws.



- ① Upper thumb screws
- ② Lower thumb screws

3 Turn on the machine, using its main power switch. After the carriage moves to its initial position, turn off the machine.

4 Pass the machine bed through the ring of the cap frame driver.



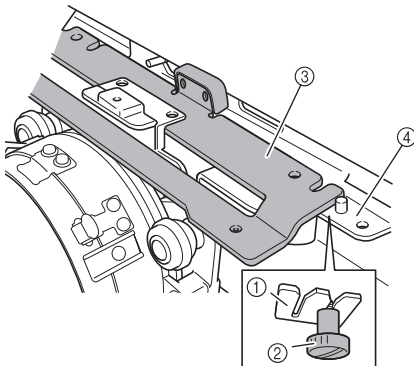
① Machine bed

Note

- Be careful that the cap frame driver does not hit any nearby parts, such as the presser foot.

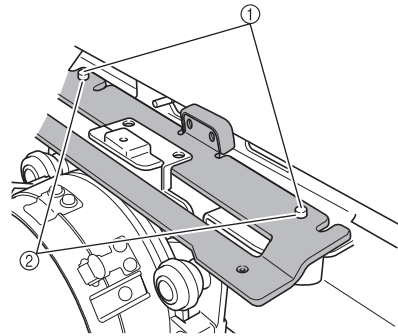
Attach the cap frame driver to the carriage as described below in steps 5 through 8.

5 Insert the two thumb screws at the bottom of the cap frame driver into the V-cuts in the carriage, and then place the mounting plate of the cap frame driver on top of the frame-mounting plate of the carriage.



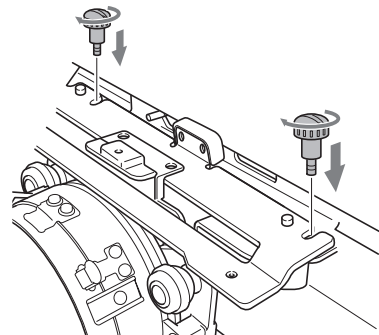
① V-cut in the carriage
 ② Thumb screw of the cap frame driver
 ③ Mounting plate of the cap frame driver
 ④ Frame-mounting plate of the carriage

6 Insert the pins on the frame-mounting plate of the carriage into the holes in the mounting plate of the cap frame driver.

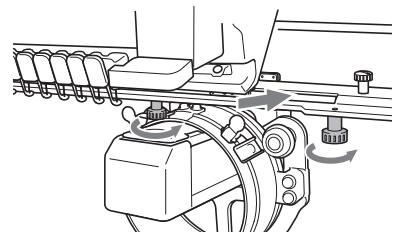


① Pins on the frame-mounting plate of the carriage
 ② Holes in the mounting plate of the cap frame driver

7 Install and tighten the two upper thumb screws (removed in step 2) in the outer holes of the mounting plate of the cap frame driver.

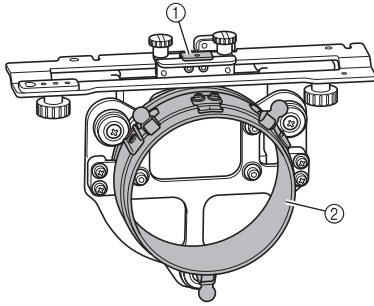


8 While pushing in the cap frame driver toward the machine so that it is fully inserted, tighten the two lower thumb screws to secure the cap frame driver.



► This completes the installation of the cap frame driver.

■ Adjusting the cap frame driver



- ① L-shaped bracket
- ② Ring

Memo

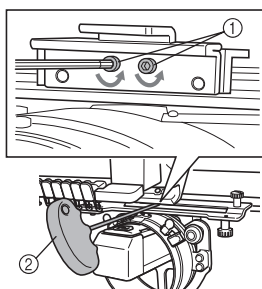
- If the same machine is being used, the adjustment to the cap frame driver is only required the first time that the machine is used.

- 1** Turn on the machine, using its main power switch. After the carriage moves to its initial position, turn off the machine.

Note

- Be sure to adjust the cap frame driver with the carriage at its initial position.

- 2** Using the Allen screwdriver (medium), loosen the two hexagonal screws one turn in the direction of the arrow.

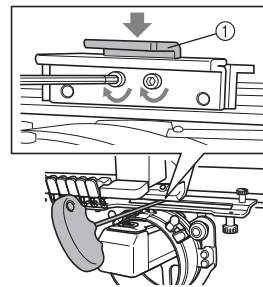


- ① Hexagonal screws
- ② Allen screwdriver (medium)

Note

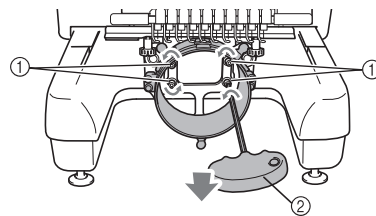
- Do not loosen the screws too much.

- 3** Lower the L-shaped bracket so that it touches the machine bed, and then use the Allen screwdriver (medium) to firmly tighten the two hexagonal screws.



- ① L-shaped bracket

- 4** Using the Allen screwdriver (large), loosen the four hexagonal screws on the inside of the ring one turn in the direction of the arrow.



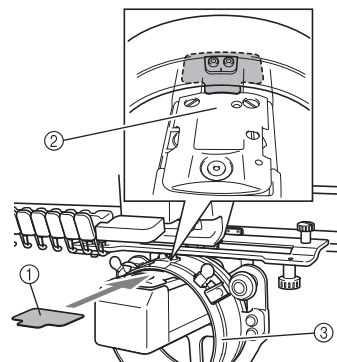
- ① Hexagonal screws
- ② Allen screwdriver (large)

- ▶ When the screws are loosened, the ring can be lowered.

Note

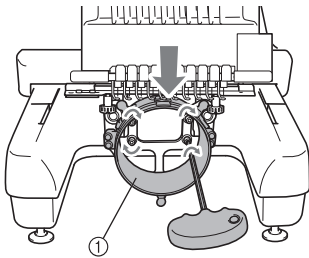
- Do not loosen the screws too much.

- 5** Insert the pad between the machine bed and the ring of the cap frame driver.



- ① Pad
- ② Machine bed
- ③ Ring of the cap frame driver

- 6** Lightly press down the ring, and then use the Allen screwdriver (large) to firmly tighten the four hexagonal screws on the inside of the ring.

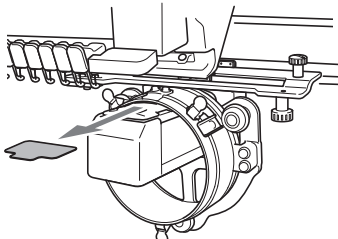


① Ring

! CAUTION

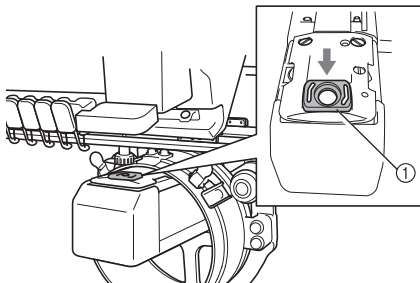
- Make sure that each hexagonal screw is firmly tightened. If any screw remains loose, injuries may result.

- 7** Remove the pad inserted in step 5.



■ Installing the needle plate spacer

Attach the needle plate spacer (included with the machine) to the needle plate.

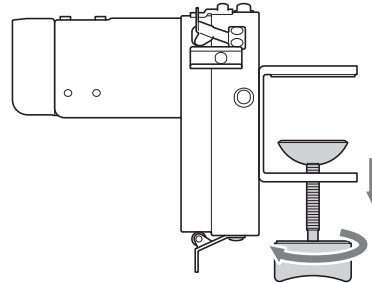


① Needle plate spacer

■ Preparing the mounting jig

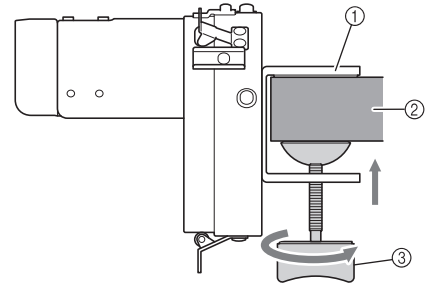
Attach the mounting jig to a stable surface, such as a desk.

- 1** Loosen the thumb screw for the mounting jig to open the mounting bracket so that it is wider than the thickness of the mounting surface.



- The mounting bracket can be mounted onto a mounting surface with a thickness between 9 mm (3/8 inch) and 38 mm (1-1/2 inches).

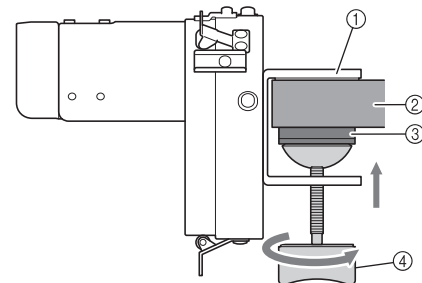
- 2** Securely clamp the mounting bracket onto the mounting surface by tightening the thumb screw.



- ① Mounting bracket
- ② Mounting surface (worktable, desk, etc.)
- ③ Tighten the thumb screw.

Memo

- If there is a gap between the clamping pad of the thumb screw and the mounting surface, insert the included pad as shown below.



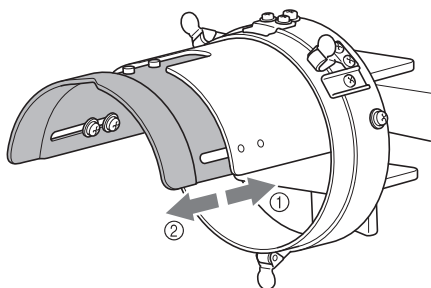
- ① Mounting bracket
- ② Mounting surface (worktable, desk, etc.)
- ③ Pad
- ④ Thumb screw

- 3 Check that there is no looseness.**
If there is looseness, mount the mounting jig onto the mounting surface again.

Note

- Make sure that the mounting bracket is securely clamped onto the mounting surface and that the thumb screw is firmly tightened.
- Do not attach the mounting jig to an unstable surface (flexible, bent or warped).
- Be careful that the mounting jig does not fall when it is removed.

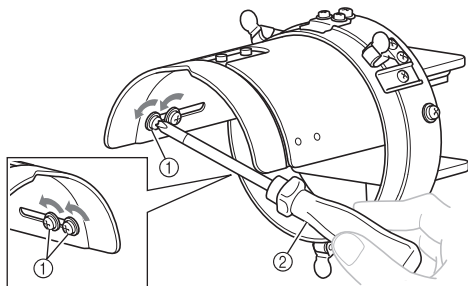
- 4 Adjust the size of the mounting jig according to the type of cap being embroidered.**



- ① Low profile (low fitting)
- ② Standard (pro style)

For the standard type

Using a Phillips screwdriver, loosen the four screws (two on the left and two on the right) on the inside of the mounting jig one turn.

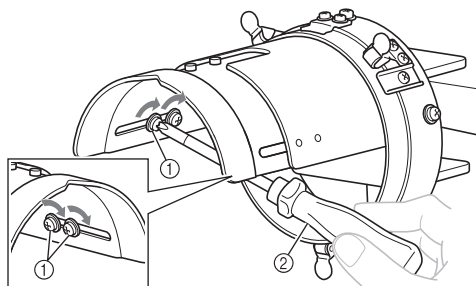


- ① Screws
- ② Phillips screwdriver

Note

- Do not remove any of the four screws (two on the left and two on the right), otherwise they may be lost. Only turn the screws to slightly loosen them.

Pull the mounting jig toward you, and then use the Phillips screwdriver to tighten the four screws (two on the left and two on the right).

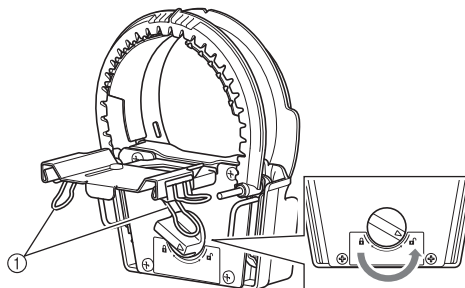


► This completes the preparation of the mounting jig.

Removing the upper frame of the cap frame from the lower frame

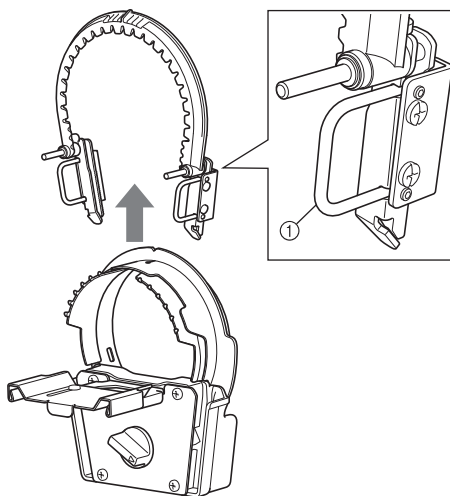
When the cap frame is purchased, the upper and lower frames are attached together. Remove the upper frame from the lower frame.

- 1 Remove the clips attached to the lower frame, and then set the lock knob to the unlocked position.**



- ① Clips

- 2 Grab the grips of the upper frame and remove the upper frame from the lower frame.**



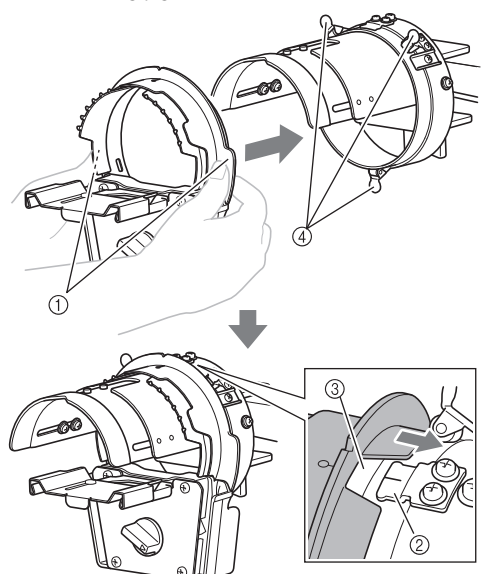
- ① Grip

Attaching the cap frame

■ Attaching the lower frame of the cap frame to the mounting jig

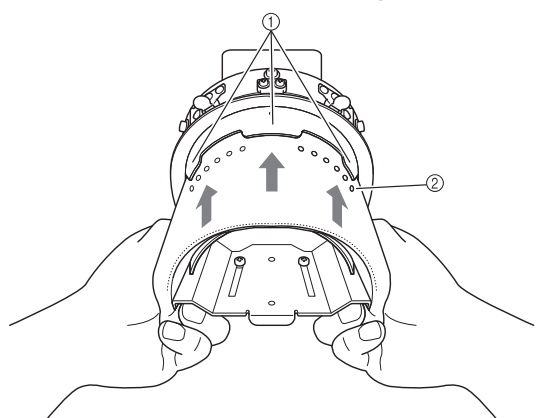
1 Attach the lower frame of the cap frame to the mounting jig.

Grab the grips on both sides of the lower frame of the cap frame and push. When positioning the lower frame of the cap frame, align the notch in the lower frame with the guiding plate at the center of the mounting jig.



- ① Grips
 - ② Guiding plate on mounting jig
 - ③ Notch in lower frame
 - ④ Holders
- ▶ The cap frame is secured with three holders.

2 Slide stabilizer under the three tabs on the lower frame of the cap frame, and then secure the stabilizer with the pins.

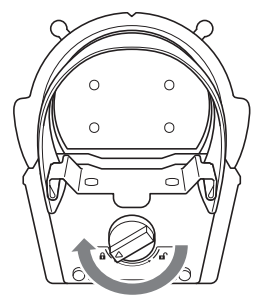


- ① Three tabs
- ② Pin

- Make sure that the pins go through the stabilizer to firmly secure it.

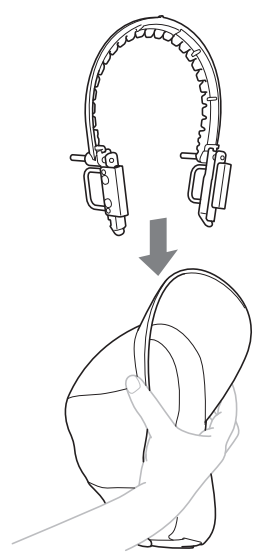
■ Attach the cap to the cap frame

1 Set the lock knob on the lower frame to the locked position.



2 Lightly squeeze the brim of the cap and fit the upper frame onto the base of the cap brim.

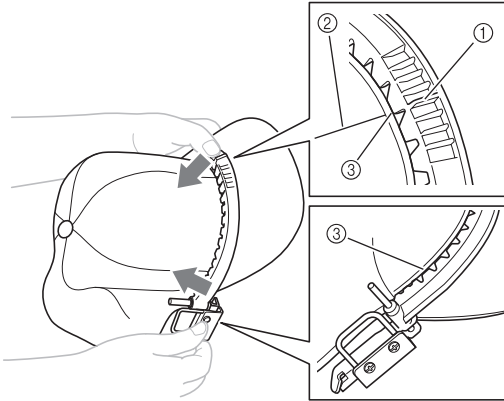
- Do not force the upper frame to widen. This may damage the frame.



3 Align the centerline of the upper frame with the centerline of the cap, and then fit the teeth at the center and left and right sides of the upper frame into the base of the cap brim.

Do this while lightly squeezing the cap brim.

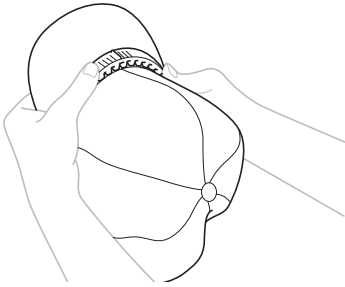
- Do not force the upper frame to widen. This may damage the frame.



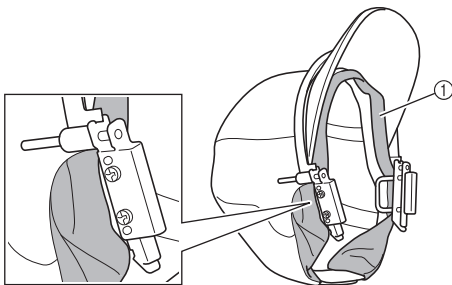
- ① Centerline of the upper frame
- ② Centerline of the cap
- ③ Base of the cap brim

4 While holding the upper frame and cap brim together, fit the remainder of the upper frame onto the base of the cap brim.

- Depending on the cap type, the cap brim may not perfectly align with the upper frame in areas other than the center and left and right sides.

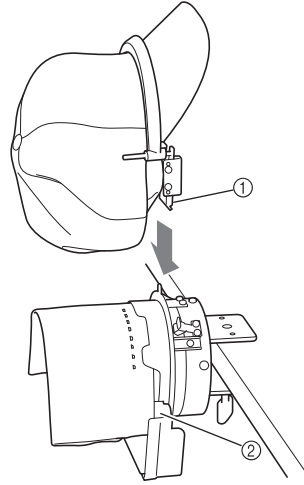


5 Flip out the cap's sweat guard, and then fit it between the pin and fitting on each side of the upper frame.



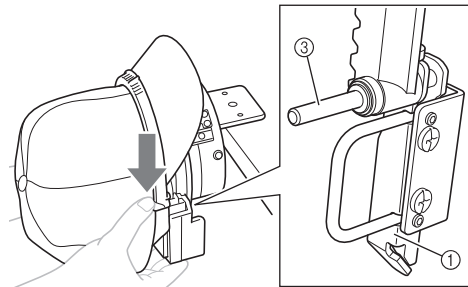
- ① Sweat guard

6 Position the upper frame from the top so that the tab on each side of the upper frame fits into the opening on each side of the lower frame.



- ① Tab on the upper frame
- ② Opening in the lower frame

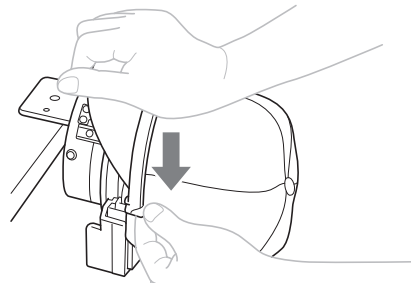
While holding the bottom of the lower frame with your fingers, push the pin on the upper frame downward with your thumb.



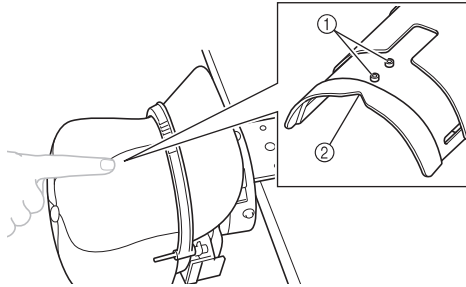
- ③ Pin on the upper frame

Note

- If it is difficult to push the pin on the upper frame downward, push downward at the center of the upper frame with your hand to help push down the upper frame. Do this on both the left and right sides.



- 7** Check that the centerline of the cap is aligned with the projections and V-shaped notch at the center of the mounting jig. Check by lightly pressing on the outside of the cap with your hand.

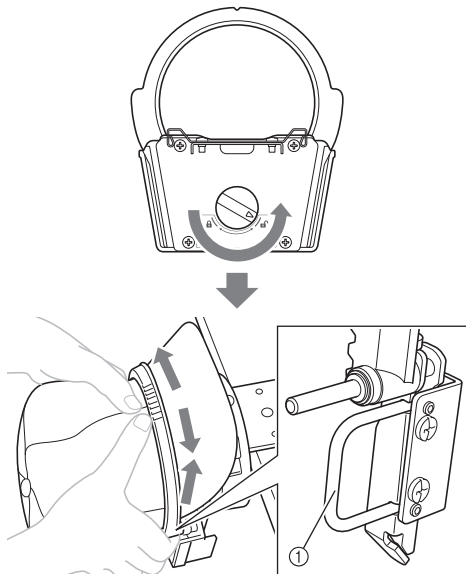


- ① Projections
- ② V-shaped notch

Memo

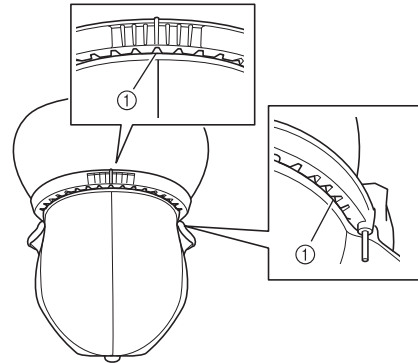
If the centerline of the cap is not aligned with the projections and V-shaped notch:

1. Set the lock knob on the lower frame to the unlocked position.
2. Grab the grips of the upper frame and pull the frame up, and then reposition it so that it is even on the left and right sides.
3. Set the lock knob on the lower frame to the locked position again.
4. Perform steps 6 through 7 again.



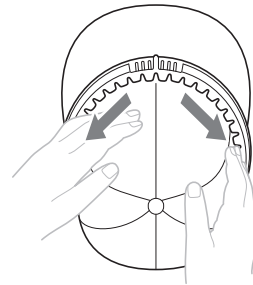
- ① Grip

- 8** Check that the teeth at the center and left and right sides of the upper frame are fitted into the base of the cap brim.

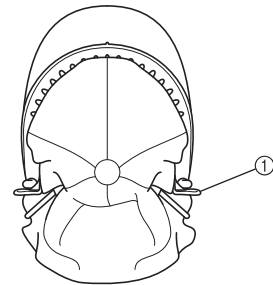


- ① Base of the cap brim

- 9** Pull the cap fabric outward from the center to remove any slack.



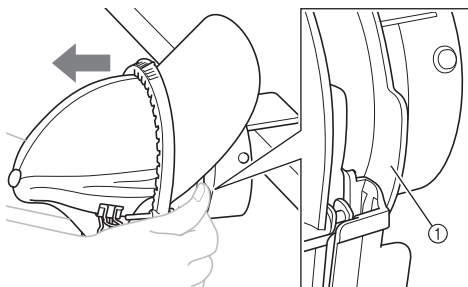
- 10** Use the clips to secure the cap.



- ① Clip
 - For details on the areas to be secured with the clips, refer to step 1 in "Removing the upper frame of the cap frame from the lower frame" on page 7.
 - Repeat steps 9 and 10 on the other side to remove any slack and secure the fabric with the clips.

11 Remove the cap frame from the mounting jig.

Grab the grips on both sides of the cap frame and pull off the frame as shown. It may be easier to remove the frame by applying force to one grip at a time.



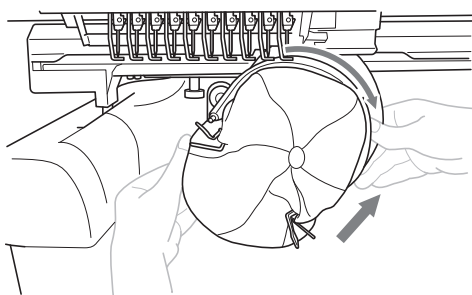
① Grip

■ Attaching the cap frame to the embroidery machine

The cap frame driver is required in order to attach the cap frame to the embroidery machine. Before attaching the cap frame to the machine, attach the cap frame driver to the carriage.

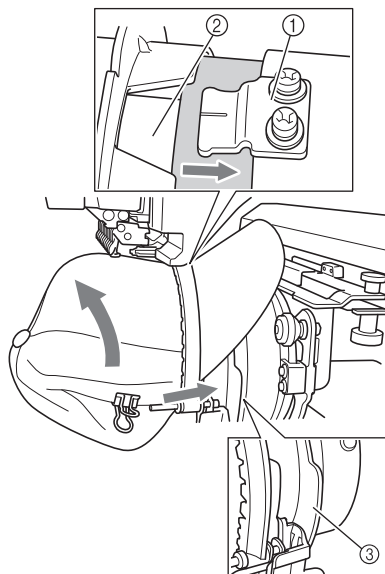
1 Attach the cap frame to the cap frame driver.

As shown, turn the embroidering area to the side when inserting the cap frame so the brim of the cap does not hit the embroidery machine.



- Be careful that the cap frame does not hit any nearby parts, such as the presser foot.

After turning the cap frame so that the embroidering area faces upward, align the ring of the cap frame driver with the ring of the cap frame. While sliding the cap frame to the left and right, align the notch in the cap frame with the guiding plate on the cap frame driver, and grab the grips on both sides of the cap frame, then push in the frame until it snaps into place.

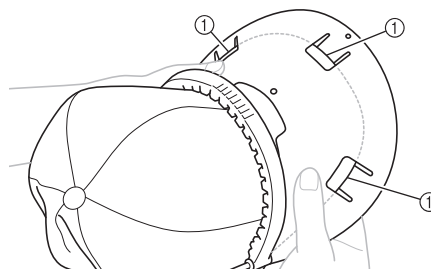


- ① Guiding plate on the cap frame driver
- ② Notch in the cap frame
- ③ Grip

► The cap frame is secured with three holders. This completes the installation of the cap frame.

2 Attach the brim protector to the cap brim.

Position the three retainers (center, left and right) of the brim protector under the cap brim, and perfectly align the brim protector with the upper frame.



- ① Retainers on brim protector
- Attaching the brim protector prevents the cap brim from rubbing against the machine and becoming damaged during sewing.
- If there is enough space between the cap brim and the machine, it may be possible to sew without the brim protector.

Note

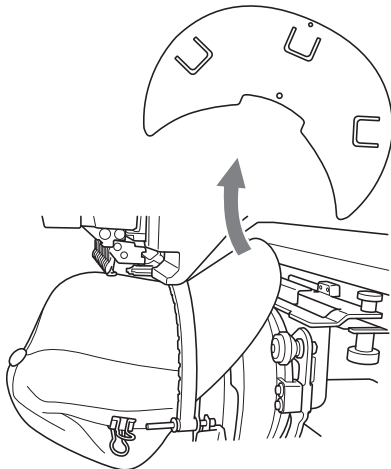
- Before sewing, be sure to check the embroidering area and confirm that the cap will not interfere with the machine. For details on checking the embroidering area, refer to the Operation Manual for the machine.
- If the cap brim interferes with the machine, the upper frame may not be securely pushed down. Refer to "Note" in step ⑤ of "Attach the cap to the cap frame" on page 8, and firmly push the upper frame down into the lower frame.

▶ The cap is ready to be embroidered.

Removing the cap frame

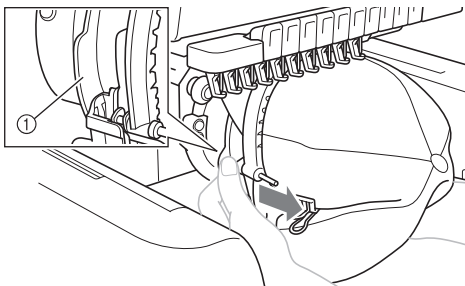
After embroidering is finished, remove the cap frame, and then remove the cap.

1 Remove the brim protector from the cap brim.



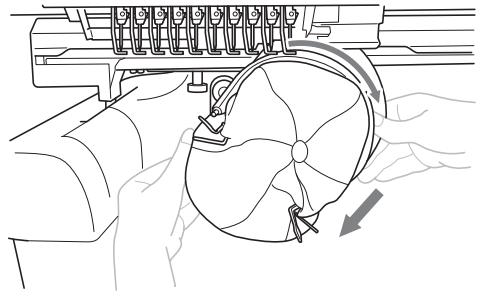
2 Remove the cap frame from the cap frame driver.

Grab the grips on both sides of the cap frame and pull off the frame as shown. It may be easier to remove the frame by applying force to one grip at a time.



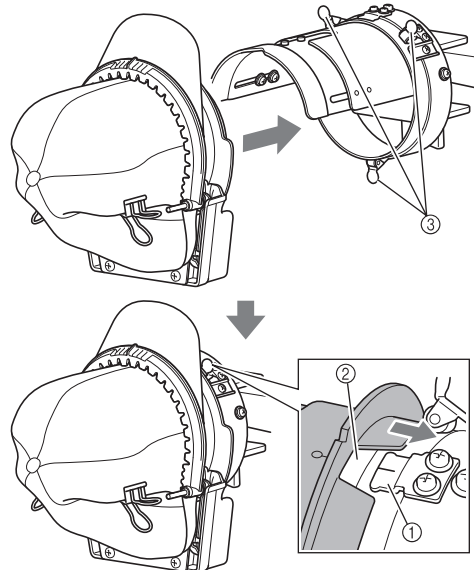
① Grip

As shown, turn the embroidering area to the side when removing the cap frame so the brim of the cap does not hit the embroidery machine.



- Be careful that the cap frame does not hit any nearby parts, such as the presser foot.

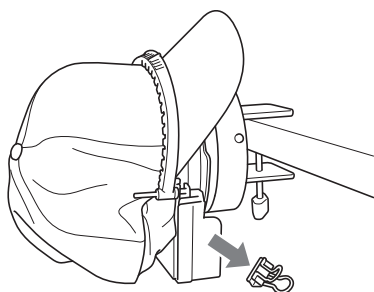
3 Attach the cap frame to the mounting jig.
When positioning the lower frame of the cap frame, align the notch in the lower frame with the guiding plate at the center of the mounting jig.



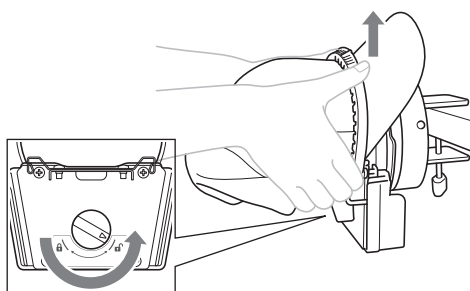
- ① Guiding plate on mounting jig
- ② Notch in lower frame
- ③ Holders

▶ The cap frame is secured with three holders.

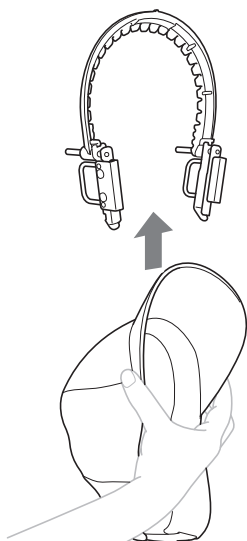
4 Remove the clips from the cap.



5 Set the lock knob on the lower frame to the unlocked position, and then remove the upper frame from the lower frame. Grab the grips of the upper frame and remove the frame.



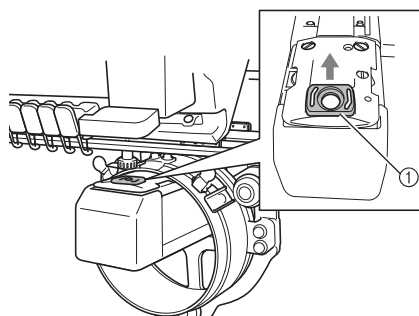
6 Lightly squeeze the brim of the cap and remove the upper frame from the cap.



Installing the embroidery frame holder

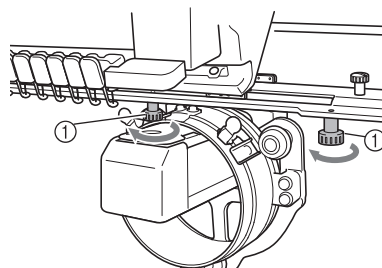
After embroidering using the cap frame is finished, remove the needle plate spacer and cap frame driver, and then re-attach the embroidery frame holder.

1 Remove the needle plate spacer.



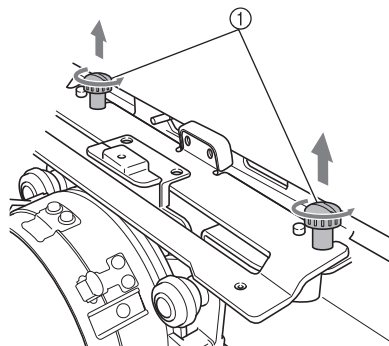
① Needle plate spacer

2 Loosen the two lower thumb screws.



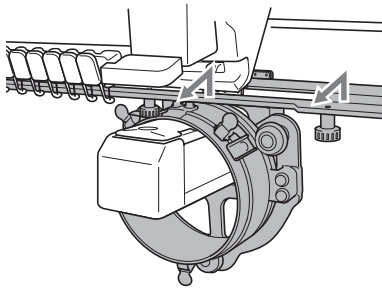
① Thumb screws

3 Remove the two upper thumb screws.



① Thumb screws

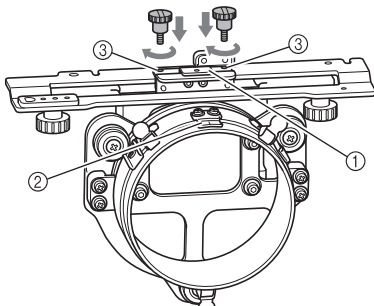
4 Remove the cap frame driver.



Note

- Be careful that the cap frame driver does not hit any nearby parts, such as the presser foot.

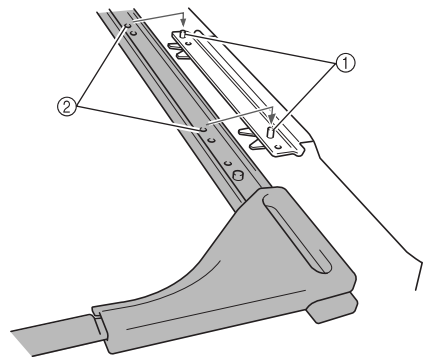
5 With the hole in the sweat guard holder of the cap frame driver aligned with the centerline of the center guiding plate, install the two thumb screws removed in step 3 in the holes at the top, and then tighten the thumb screws.



- ① Hole in the sweat guard holder
- ② Centerline of guiding plate
- ③ Holes at the top
- Install the thumb screws in the holes where the cap frame driver was originally installed.

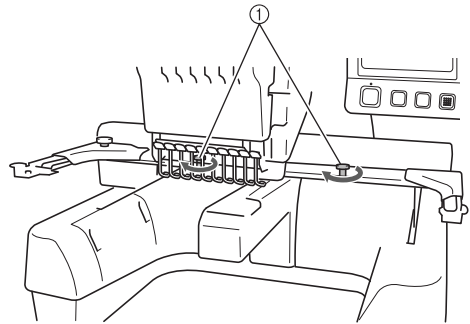
► The movable section of the cap frame driver is secured.

6 Align the holes in the embroidery frame holder with the pins on the frame-mounting plate of the carriage, and then secure the embroidery frame holder with the two thumb screws.



- ① Pins on the frame-mounting plate of the carriage
- ② Holes in the embroidery frame holder

7 Secure the embroidery frame holder with the two thumb screws.



- ① Use the thumb screws included with the machine.

! CAUTION

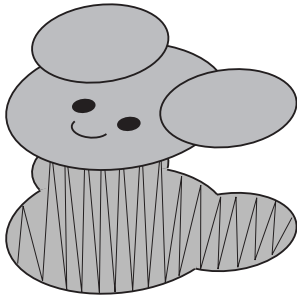


- **Firmly tighten the thumb screws.**

Additional digitizing information

When creating a pattern for embroidering with the cap frame, pay attention to the following points in order to avoid registration problems (misalignment or gaps in the pattern).

1 Sew underlay stitches.



2 Start from the center of the embroidery pattern and sew toward the ends.

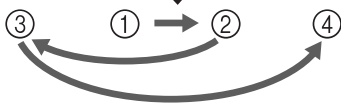
With this machine, the order in which patterns are selected when they are combined is the order in which they will be sewn. For the following example, select the patterns in the order "E" → "A" → "B" → "R" to make the combined pattern "BEAR".

B E A R

Incorrect sewing order



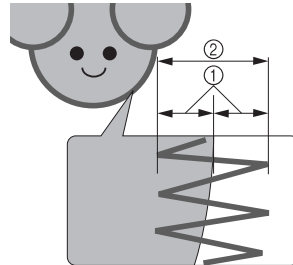
Correct sewing order



Note

- Do not sew from one end to the other, otherwise wrinkling or shrinkage may occur.

3 When sewing outlines of patterns, make sure that the stitch width of the satin stitching is at least 2 mm, and that the stitching overlaps the fabric by at least 1 mm. Also, make sure that there are no long jumps stitches in the outlining of each region or letter.

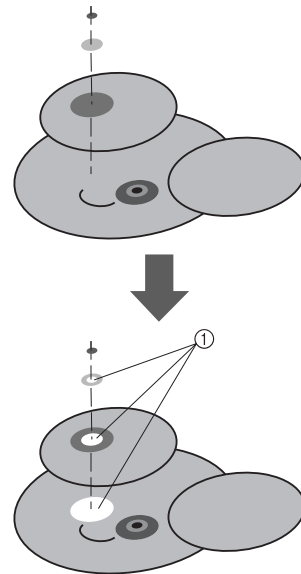


- ① At least 1 mm
- ② At least 2 mm

CAUTION



- Do not sew more than four overlapping layers.



- ① Specify that overlapping areas are not sewn.

Utilisation du cadre pour casquettes

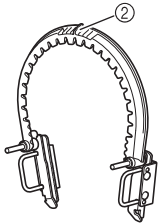
A l'aide du cadre pour casquettes, vous pouvez broder des motifs sur des casquettes et des chapeaux. Les procédures d'utilisation du cadre pour casquettes sont décrites ci-dessous.

Cadre pour casquettes et accessoires

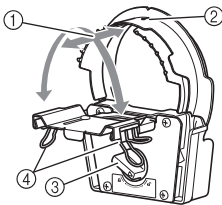
Vérifiez que le cadre pour casquettes, le support du cadre pour casquettes, le dispositif d'assemblage du cadre pour casquettes et les accessoires suivants sont présents. Si un élément est manquant ou endommagé, contactez votre revendeur.

Cadre pour casquettes : Cadre supérieur/Cadre inférieur

- ① Zone de broderie : 130 mm (l) × 60 mm (H) (5-1/8" / pouces (l) × 2-3/8" / pouces (H))
- ② Repères indiquant le centre de la zone de broderie
- ③ Bouton de verrouillage
S'utilise pour fixer et enlever le cadre supérieur.
- ④ Clips
Placés ici lorsque le cadre vient d'être acheté. S'utilisent pour fixer la casquette au cadre pour casquettes.



Cadre supérieur

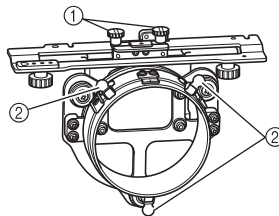


Cadre inférieur

- Quand vous achetez le cadre, le cadre supérieur et le cadre inférieur sont fixés ensemble.

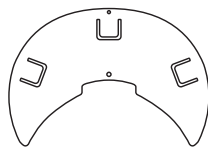
Support du cadre pour casquettes et 4 vis de serrage à main

- Pour installer le cadre pour casquettes au chariot, retirez le support du cadre de broderie, puis fixez ce support du cadre de broderie au chariot de la machine.
- ① Placez les vis de serrage à main dans ces trous et serrez-les pour fixer la section mobile. Utilisez ces trous pour stocker le support du cadre pour casquettes.
 - ② Ressorts de retenue
Les trois ressorts de retenue permettent de fixer le cadre pour casquettes.



Protection de la visière

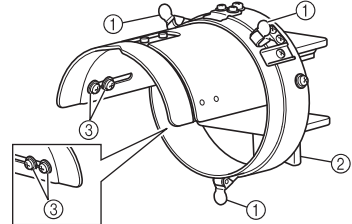
Empêche la visière de la casquette de frotter contre la machine et de s'endommager lors de la broderie.



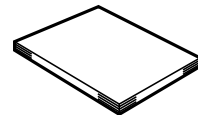
Dispositif d'assemblage

S'utilise pour placer la casquette dans le cadre pour casquettes.

- ① Ressorts
Les trois ressorts permettent de fixer le cadre pour casquettes.
- ② Support d'assemblage
Serrez la vis à serrage à main pour fixer sur une surface d'assemblage comme une table.
- ③ Vis
Réglez la taille du dispositif d'assemblage en fonction du type de casquette à broder.



Manuel de l'utilisateur



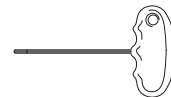
Patin



Tournevis Allen (grand)



Tournevis Allen (moyen)



- S'utilise pour régler le cercle du support du cadre pour casquettes et la hauteur du support en forme de L.

Remarque

- Avant d'utiliser ce cadre, veillez à ce que le logiciel de votre machine ait été mis à jour à la version la plus récente.
- Avant d'installer le cadre pour casquettes, veillez à régler le cercle du support du cadre pour casquettes et la hauteur du support en forme de L. (Si vous utilisez la même machine, ce réglage n'est nécessaire que lors de la première utilisation de la machine.)
- Lorsque le cercle du support du cadre pour casquettes et la hauteur du support en forme de L ont été réglés (reportez-vous à la page 5), ils doivent être réglés à nouveau si vous utilisez une autre machine. La hauteur peut changer selon la machine utilisée. Pour plus de détails, contactez votre revendeur agréé.
- Quand le cadre pour casquettes est fixé à la machine, l'indicateur de cadre de broderie suivant apparaît.



Types de casquettes

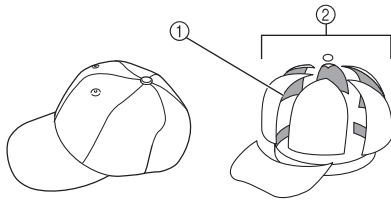
Avec cette machine, nous vous recommandons de broder les types de casquettes suivants.

Une casquette d'Otto International, Inc. est utilisée ici à titre d'exemple.

(* La facilité de mise en cadre décrite dans le tableau est telle qu'évaluée par notre société.)

- Tous les noms commerciaux et noms de produits de sociétés qui apparaissent sur nos produits, la documentation associée et tout autre matériel sont des marques de commerce ou des marques déposées de ces sociétés respectives.

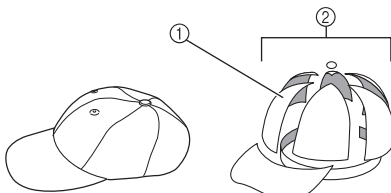
■ Standard (pro style)



- ① Face avant : Pro style
- ② 6 sections

Doublure en mailles au dos de la penne (souple ou rigide*)	Face avant rigide assemblée	Couronne souple non assemblée
Facilité de mise en cadre* (mise en place)	Facile (Recommandé)	Assez facile
Support	1 à 2 plis	2 à 3 plis
Numéro de modèle des casquettes Otto International, Inc. (exemple)	OTTO27-007	

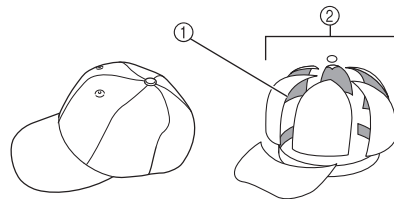
■ Profil bas (assemblage bas)



- ① Face avant : assemblage bas
- ② 6 sections

Doublure en mailles au dos de la penne (souple ou rigide*)	Face avant rigide assemblée	Couronne souple non assemblée	Face avant rigide assemblée
Facilité de mise en cadre* (mise en place)	Facile	Assez facile	Facile
Support	1 à 2 plis	2 à 3 plis	1 à 2 plis
Numéro de modèle des casquettes Otto International, Inc. (exemple)	OTTO23-255	OTTO18-202	OTTO65-758 (pour enfants)

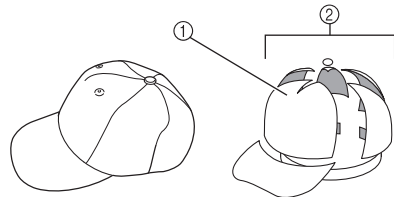
■ Visière plate



- ① Face avant : Pro style
- ② 6 sections

Doublure en mailles au dos de la penne (souple ou rigide*)	Face avant rigide assemblée	Face avant rigide assemblée
Facilité de mise en cadre* (mise en place)	Facile	Facile
Support	1 à 2 plis	1 à 2 plis
Numéro de modèle des casquettes Otto International, Inc. (exemple)	OTTO125-1038	OTTO145-1044 (pour enfants)

■ Style golf

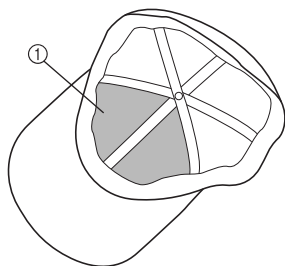


- ① Face avant : d'une pièce
- ② 5 sections

Doublure en mailles au dos de la penne (souple ou rigide*)	Face avant rigide assemblée
Facilité de mise en cadre* (mise en place)	Assez facile
Support	1 à 2 plis
Numéro de modèle des casquettes Otto International, Inc. (exemple)	OTTO37-024

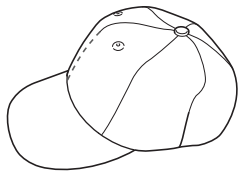
Mémo

- Vérifiez si la zone ① est recouverte de mailles. (Une casquette avec mailles est illustrée ci-dessous.)



Remarque

- Aucune ligne centrale ne peut être utilisée comme guide lorsque vous placez la casquette dans le support du cadre. Avant de placer la casquette dans le cadre, utilisez une craie tailleur pour marquer la ligne centrale.



Casquettes dont la broderie est déconseillée

- Casquettes avec une penne avant d'une hauteur inférieure à 50 mm (2" / pouces) (comme une visière pare-soleil)
- Casquettes dont le bord est supérieur à 80 mm (3-1/16" / pouces)

Précautions relatives au tissu

Tissus de casquettes dont la broderie est recommandée

- 35 % coton/65 % polyester
- 100 % coton
- 80 % laine/20 % nylon
- 15 % laine/85 % acrylique

Tissus de casquettes dont la broderie est déconseillée

Les casquettes confectionnées dans les types de tissus suivants sont très difficiles à mettre en cadre, ou le tissu risque de se froisser ou de rétrécir.

- Mousse polyester
- Tissus extensibles
- Laine Melton
- 100 % nylon
- Daim

Préparation du cadre pour casquettes

Installation du support du cadre pour casquettes

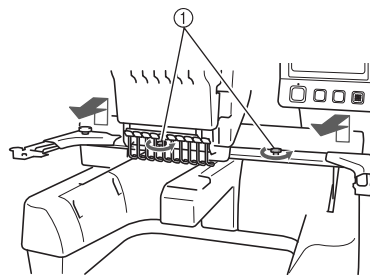
Retirez le support du cadre de broderie du chariot de la machine et installez le support du cadre pour casquettes. Avant d'enlever le support du cadre de broderie, retirez tout d'abord le cadre.

! ATTENTION

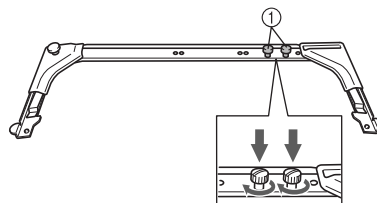


- Avant de changer un support de cadre de broderie quel qu'il soit, assurez-vous que la machine est hors tension.

- 1 Desserrez les deux vis à serrage à main, puis enlevez le support du cadre de broderie et les vis à serrage à main.

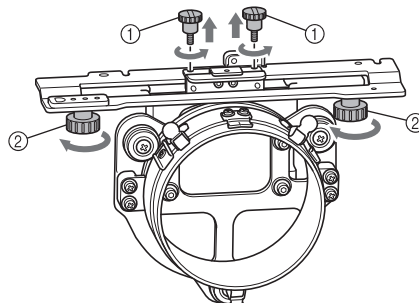


- ① Vis à serrage à main
- Les vis à serrage à main doivent rester attachées au support du cadre de broderie.



- ① Gardez les deux vis à serrage à main dans le support du cadre de broderie afin de ne pas les perdre.

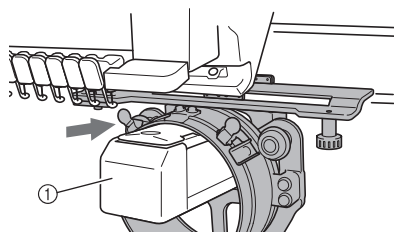
- 2 Retirez les deux vis à serrage à main supérieures du support du cadre pour casquettes, puis desserrez les deux vis à serrage à main inférieures.



- ① Vis supérieures
- ② Vis inférieures

- 3** Mettez la machine sous tension à l'aide de son interrupteur d'alimentation principal. Une fois le chariot dans sa position initiale, mettez la machine hors tension.

- 4** Faites passer le bras de la machine dans le cercle du support du cadre pour casquettes.



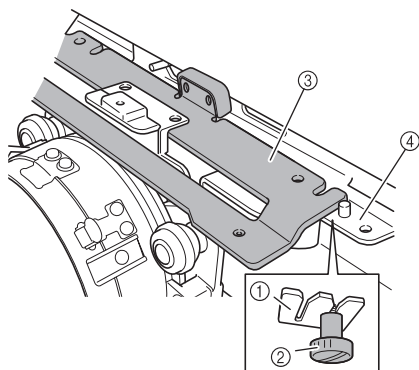
① Bras de la machine

Remarque

- Vérifiez que le support du cadre pour casquettes ne touche pas de pièces environnantes, comme le pied presseur.

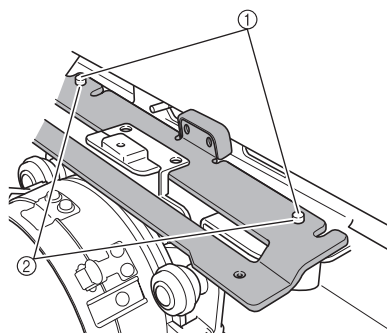
Fixez le support du cadre pour casquettes au chariot comme décrit ci-dessous aux étapes ⑤ à ⑥.

- 5** Insérez les deux vis de serrage à main en bas du support du cadre pour casquettes dans les entailles en forme de « V » du chariot, puis placez la plaque d'assemblage du support du cadre pour casquettes sur la plaque d'assemblage du cadre du chariot.



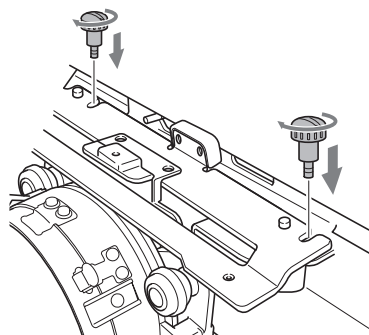
- ① Entaille en forme de « V » du chariot
- ② Vis de serrage à main du support du cadre pour casquettes
- ③ Plaque d'assemblage du support du cadre pour casquettes
- ④ Plaque d'assemblage du cadre du chariot

- 6** Insérez les ergots de la plaque d'assemblage du cadre du chariot dans les trous situés sur la plaque d'assemblage du support du cadre pour casquettes.

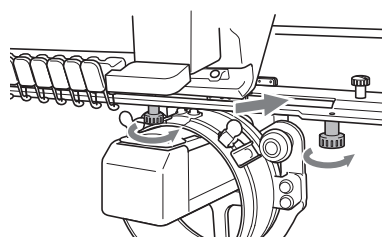


- ① Ergots sur la plaque d'assemblage du cadre du chariot
- ② Trous situés sur la plaque d'assemblage du support du cadre pour casquettes

- 7** Installez et serrez les deux vis de serrage à main supérieures (enlevées lors de l'étape ②) dans les trous extérieurs de la plaque d'assemblage du support du cadre pour casquettes.

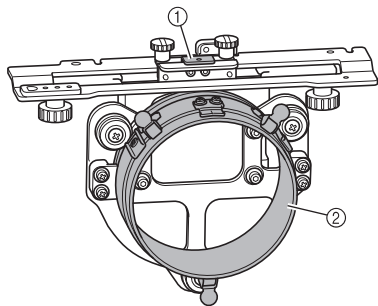


- 8** Tout en poussant le support du cadre pour casquettes vers la machine pour l'insérer complètement, serrez les deux vis inférieures pour fixer le support.



- L'installation du support du cadre pour casquettes est terminée.

■ Réglage du support du cadre pour casquettes



- ① Support en forme de L
- ② Cercle

📖 Mémo

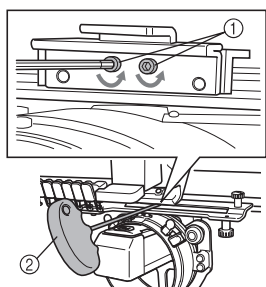
- Si vous utilisez la même machine, ce réglage n'est nécessaire que lors de sa première utilisation.

- 1 Mettez la machine sous tension à l'aide de son interrupteur d'alimentation principal. Une fois le chariot dans sa position initiale, mettez la machine hors tension.

💡 Remarque

- Veillez à régler le support du cadre pour casquettes lorsque le chariot se trouve dans sa position initiale.

- 2 A l'aide du tournevis Allen (moyen), desserrez les deux vis hexagonales d'un tour dans le sens de la flèche.

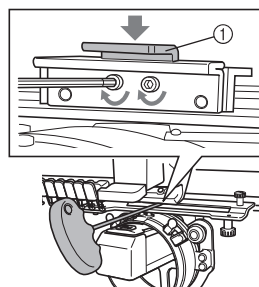


- ① Vis hexagonales
- ② Tournevis Allen (moyen)

💡 Remarque

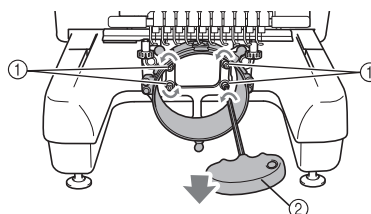
- Ne desserrez pas trop les vis.

- 3 Abaissez le support en forme de L de sorte qu'il vienne toucher le plateau de la machine, puis utilisez le tournevis Allen (moyen) pour serrer fermement les deux vis hexagonales.



- ① Support en forme de L

- 4 A l'aide du tournevis Allen (grand), desserrez les quatre vis hexagonales situées à l'intérieur du cercle d'un tour dans le sens de la flèche.



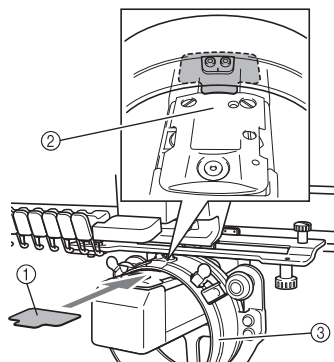
- ① Vis hexagonales
- ② Tournevis Allen (grand)

- ▶ Lorsque les vis sont desserrées, il est possible d'abaisser le cercle.

💡 Remarque

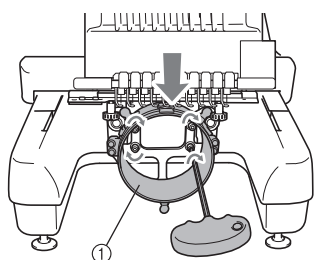
- Ne desserrez pas trop les vis.

- 5 Faites passer le patin entre le plateau de la machine et le cercle du support du cadre pour casquettes.



- ① Patin
- ② Plateau de la machine
- ③ Cercle du support du cadre pour casquettes

- 6** Appuyez légèrement sur le cercle, puis utilisez le tournevis Allen (grand) pour serrer fermement les quatre vis hexagonales sur l'intérieur du cercle.

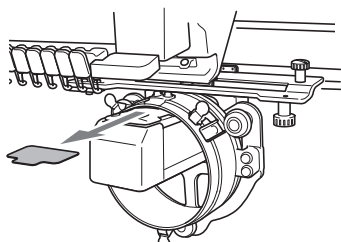


① Cercle

! ATTENTION

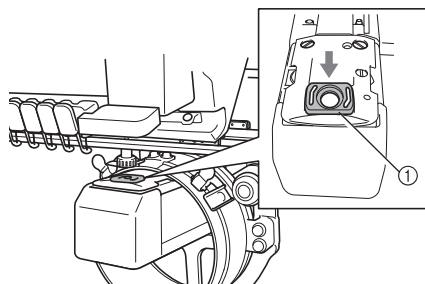
- Assurez-vous que chaque vis hexagonale est fermement serrée. Si l'une des vis reste mal serrée, vous risquez de vous blesser.

- 7** Retirez le patin inséré à l'étape 5.



■ Installation de la cale d'épaisseur de la plaque à aiguille

Fixez la cale d'épaisseur de la plaque à aiguille (fournie avec la machine) sur la plaque à aiguille.

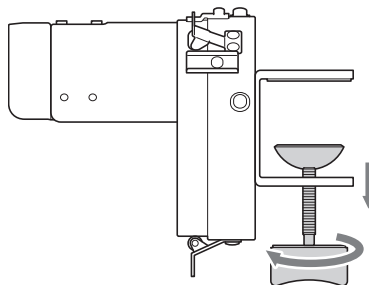


① Cale d'épaisseur de la plaque à aiguille

■ Préparation du dispositif d'assemblage

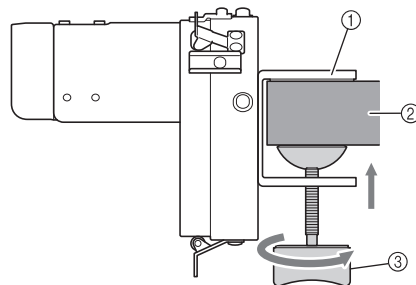
Fixez le dispositif d'assemblage sur une surface stable, par exemple, un bureau.

- 1** Desserrez la vis de serrage à main du dispositif d'assemblage pour ouvrir le support d'assemblage afin qu'il soit supérieur à l'épaisseur de la surface d'assemblage.



- Le support d'assemblage peut être installé sur une surface d'assemblage d'une épaisseur comprise entre 9 mm (3/8" / pouce) et 38 mm (1-1/2" / pouce).

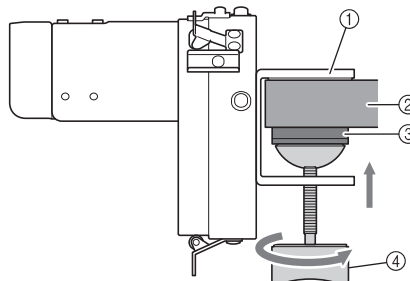
- 2** Fixez solidement le support d'assemblage sur la surface en serrant la vis de serrage à main.



- ① Support d'assemblage
- ② Surface d'assemblage (table de travail, bureau, etc.)
- ③ Serrez la vis à serrage à main.

📖 Mémo

- S'il existe un espace entre le patin de serrage de la vis de serrage à main et la surface d'assemblage, insérez le patin fourni comme illustré ci-dessous.



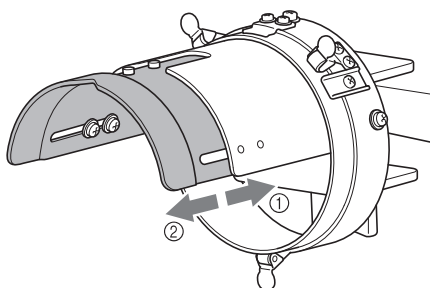
- ① Support d'assemblage
- ② Surface d'assemblage (table de travail, bureau, etc.)
- ③ Patin
- ④ Vis à serrage à main

- 3** **Veillez à ce qu'il n'y ait pas de jeu.**
Si tel est le cas, réinstallez le dispositif d'assemblage sur la surface.

⚠ Remarque

- Vérifiez que le support d'assemblage est solidement fixé sur la surface d'assemblage et que la vis de serrage à main est serrée fermement.
- Ne fixez pas le dispositif d'assemblage sur une surface instable (flexible, tordue ou courbée).
- Veillez à ne pas faire tomber le dispositif d'assemblage lorsque vous le retirez.

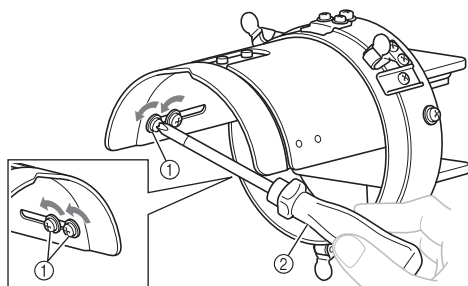
- 4** **Réglez la taille du dispositif d'assemblage en fonction du type de casquette à broder.**



- ① Profil bas (assemblage bas)
② Standard (pro style)

■ Pour le type standard

A l'aide d'un tournevis Phillips, desserrez d'un tour les quatre vis (deux à gauche et deux à droite) sur l'intérieur du dispositif d'assemblage.

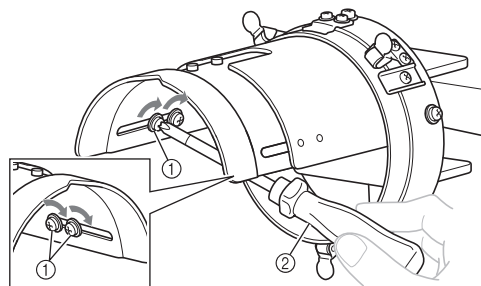


- ① Vis
② Tournevis Phillips

⚠ Remarque

- N'enlevez aucune des quatre vis (deux à gauche et deux à droite) car vous risqueriez de les perdre. Faites tourner les vis pour les desserrer légèrement.

Tirez le dispositif d'assemblage vers vous, puis, à l'aide du tournevis Phillips, serrez les quatre vis (deux à gauche et deux à droite).

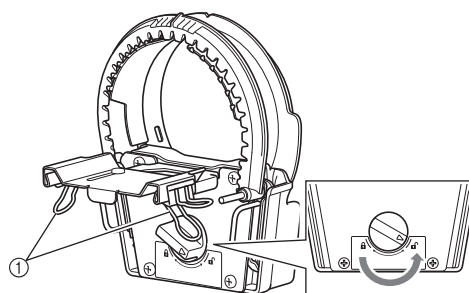


- La préparation du dispositif d'assemblage est terminée.

■ Retrait du cadre supérieur du cadre pour casquettes du cadre inférieur

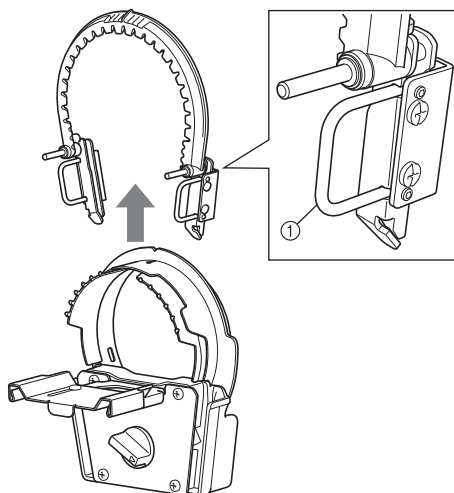
Quand vous achetez le cadre pour casquettes, le cadre supérieur et le cadre inférieur sont fixés ensemble. Retirez le cadre supérieur du cadre inférieur.

- 1** Retirez les clips fixés au cadre inférieur, puis mettez le bouton de verrouillage en position déverrouillée.



- ① Clips

- 2** Saisissez les poignées du cadre supérieur et retirez le cadre supérieur du cadre inférieur.



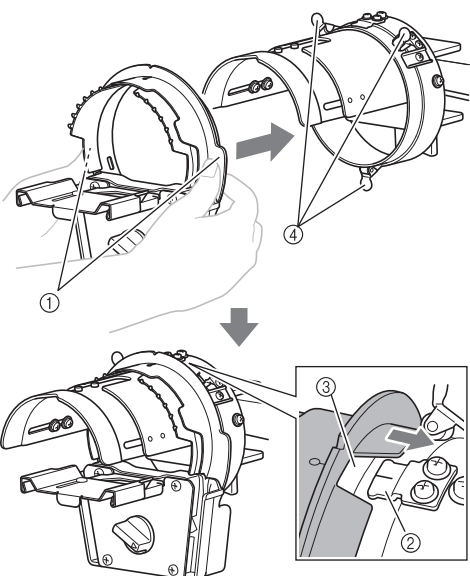
- ① Poignée

Fixation du cadre pour casquettes

■ Fixation du cadre inférieur du cadre pour casquettes au dispositif d'assemblage

1 Fixez le cadre inférieur du cadre pour casquettes au dispositif d'assemblage.

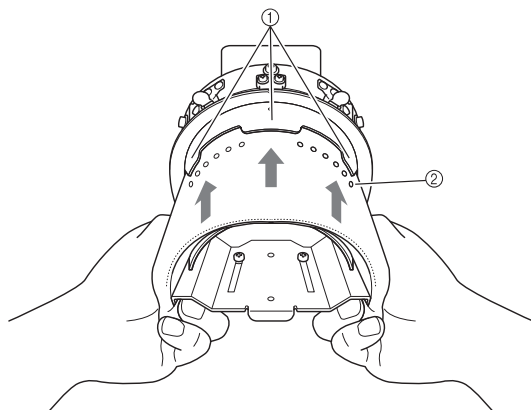
Saisissez les poignées des deux côtés du cadre inférieur du cadre pour casquettes et poussez. Quand vous positionnez le cadre inférieur du cadre pour casquettes, alignez l'encoche du cadre inférieur sur la plaque de guidage au centre du dispositif d'assemblage.



- ① Poignées
- ② Plaque de guidage sur le dispositif d'assemblage
- ③ Encoche dans le cadre inférieur
- ④ Ressorts

► Le cadre pour casquettes se fixe avec trois ressorts.

2 Faites glisser le renfort sous les trois languettes du cadre inférieur du cadre pour casquettes, puis fixez le renfort avec les ergots.

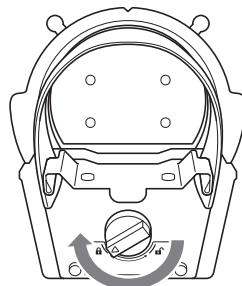


- ① Trois languettes
- ② Ergot

- Veillez à ce que les ergots traversent bien le renfort pour le fixer fermement.

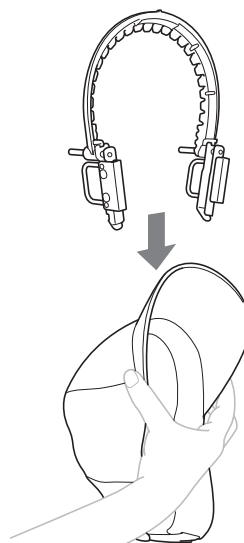
■ Fixez la casquette au cadre pour casquettes

1 Mettez le bouton de verrouillage du cadre inférieur en position verrouillée.



2 Comprimez légèrement le bord de la casquette et placez le cadre supérieur sur la base de la visière de la casquette.

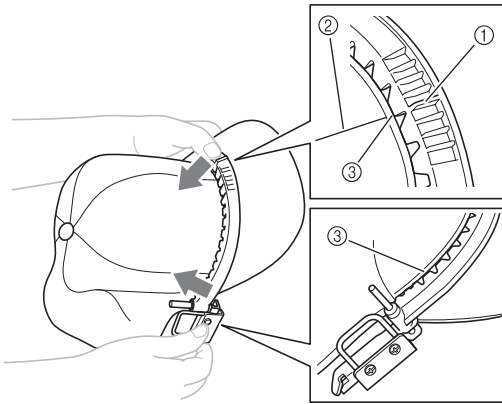
- Ne forcez pas sur le cadre supérieur pour élargir. Vous risqueriez d'endommager le cadre.



3 Alignez la ligne centrale du cadre supérieur sur la ligne centrale de la casquette, puis placez les dents situées au centre, à gauche et à droite du cadre supérieur dans la base de la visière de la casquette.

En même temps, compressez légèrement la visière de la casquette.

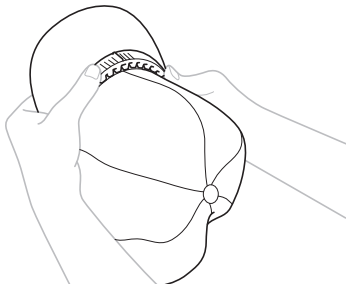
- Ne forcez pas sur le cadre supérieur pour élargir. Vous risqueriez d'endommager le cadre.



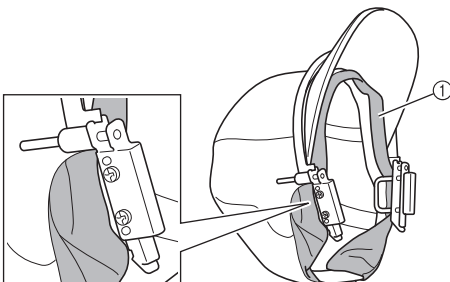
- ① Ligne centrale du cadre supérieur
- ② Ligne centrale de la casquette
- ③ Base de la visière de la casquette

4 Tout en tenant le cadre supérieur et la visière de la casquette joints ensemble, installez le reste du cadre supérieur sur la base de la visière de la casquette.

- Selon le type de casquette, il est possible que la visière de la casquette ne s'aligne pas parfaitement sur le cadre supérieur ailleurs qu'au centre et sur les côtés gauche et droit.

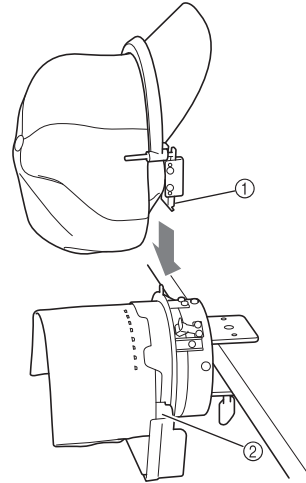


5 Dépliez la bande anti-transpiration de la casquette, puis placez-la entre l'ergot et la pièce de fixation de chaque côté du cadre supérieur.



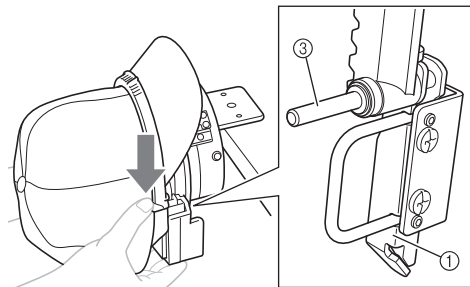
- ① Bande anti-transpiration

6 Positionnez le cadre supérieur depuis le haut pour que la languette qui se trouve de chaque côté du cadre supérieur puisse rentrer dans l'ouverture de chaque côté du cadre inférieur.



- ① Languette sur le cadre supérieur
- ② Ouverture dans le cadre inférieur

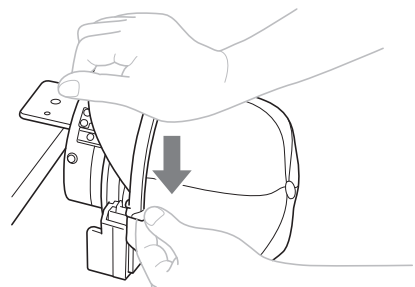
Tout en tenant le bas du cadre inférieur avec quatre doigts, enfoncez l'ergot du cadre supérieur avec le pouce.



- ③ Ergot sur le cadre supérieur

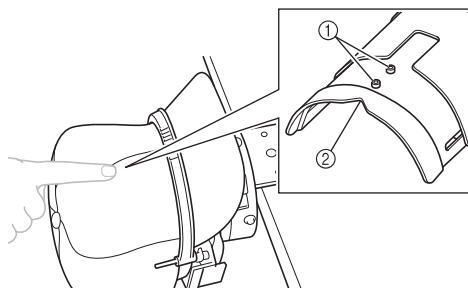
Remarque

- Si vous rencontrez des difficultés pour enfoncer l'ergot du cadre supérieur, poussez vers le bas avec votre main au centre du cadre supérieur pour aider à enfoncer le cadre supérieur. Faites ceci pour le côté gauche et pour le côté droit.



7 Vérifiez que la ligne centrale de la casquette est alignée sur les saillies et l'encoche en forme de « V » située au centre du dispositif d'assemblage.

Vérifiez en appuyant légèrement sur l'extérieur de la casquette avec la main.

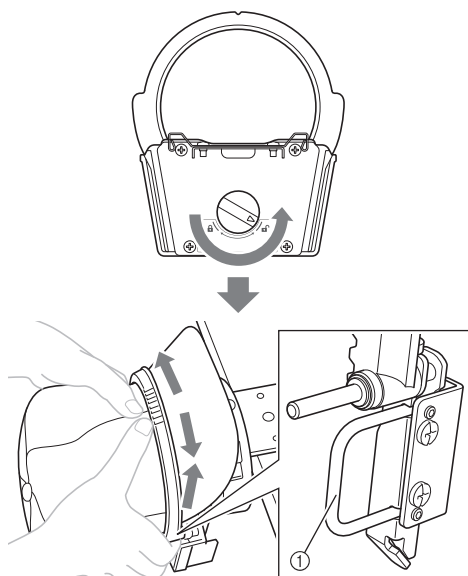


- ① Saillies
- ② Encoche en forme de « V »

Mémo

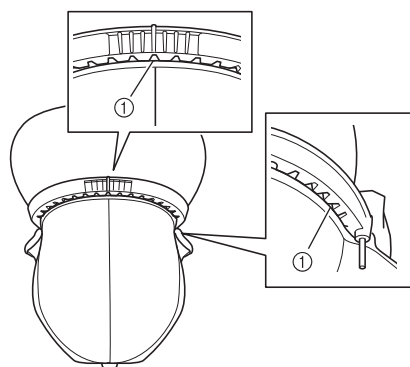
Si la ligne centrale de la casquette n'est pas alignée sur les saillies et l'encoche en forme de « V » :

1. Mettez le bouton de verrouillage du cadre inférieur en position déverrouillée.
2. Saisissez les poignées du cadre supérieur et tirez le cadre vers le haut, puis repositionnez-le de sorte à ce qu'il soit placé de manière égale des deux côtés gauche et droit.
3. Remettez le bouton de verrouillage du cadre inférieur en position verrouillée.
4. Suivez à nouveau les étapes 6 à 7.



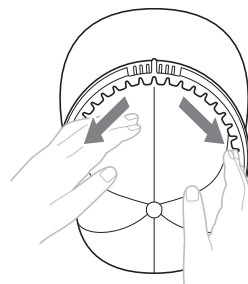
- ① Poignée

8 Vérifiez que les dents qui se trouvent au centre, à gauche et à droite du cadre supérieur sont installées dans la base de la visière de la casquette.

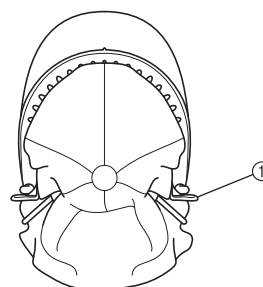


- ① Base de la visière de la casquette

9 Tirez le tissu de la casquette vers l'extérieur à partir du centre de manière à bien tendre le tissu.



10 Utilisez les clips pour fixer la casquette.

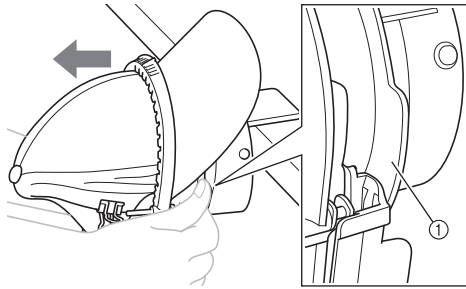


- ① Clip
- Pour plus de détails sur les zones à fixer avec les clips, reportez-vous à l'étape 1 de la section « Retrait du cadre supérieur du cadre pour casquettes du cadre inférieur » à la page 7.
- Répétez les étapes 9 et 10 de l'autre côté pour bien tendre le tissu et attachez-le avec les clips.

11 Retirez le cadre pour casquettes du dispositif d'assemblage.

Saisissez les poignées des deux côtés du cadre pour casquettes et enlevez le cadre en tirant comme illustré.

Il est possible qu'il soit plus facile d'enlever le cadre en actionnant une seule poignée à la fois.



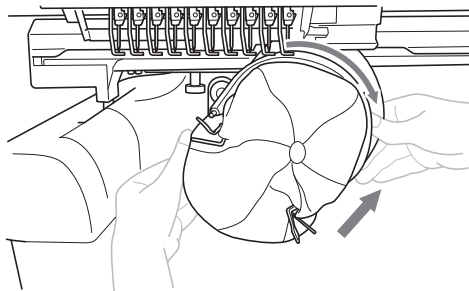
① Poignée

■ Fixation du cadre pour casquettes sur la machine à broder

Le support du cadre pour casquettes est nécessaire pour fixer le cadre pour casquettes sur la machine à broder. Avant de fixer le cadre pour casquettes sur la machine, fixez le support sur le chariot.

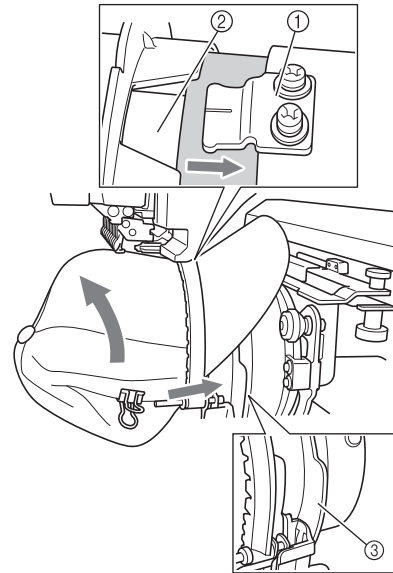
1 Fixez le cadre pour casquettes sur son support.

Comme illustré, tournez la zone de broderie vers le côté quand vous insérez le cadre pour casquettes de sorte que la visière de la casquette ne vienne pas heurter la machine à broder.



- Vérifiez que le cadre pour casquettes ne touche pas de pièces environnantes, comme le pied presseur.

Après avoir tourné le cadre pour casquettes de sorte que la zone de broderie soit orientée vers le haut, alignez le cercle du cadre pour casquettes sur le cercle du cadre pour casquettes. Tout en faisant glisser le cadre pour casquettes vers la gauche et la droite, alignez l'encoche du cadre pour casquettes sur la plaque de guidage du support du cadre pour casquettes, puis saisissez les poignées des deux côtés du cadre pour casquettes et enfoncez le cadre jusqu'à ce qu'il s'emboîte.

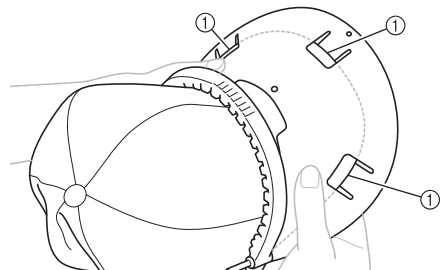


- ① Plaque de guidage sur le support du cadre pour casquettes
- ② Encoche dans le cadre pour casquettes
- ③ Poignée

► Le cadre pour casquettes se fixe avec trois ressorts. L'installation du cadre pour casquettes est terminée.

2 Fixez la protection de la visière sur la visière de la casquette.

Positionnez les trois dispositifs de retenue (centre, gauche et droite) de la protection de la visière sous la visière de la casquette, puis alignez parfaitement la protection de la visière sur le cadre supérieur.



- ① Dispositifs de retenue sur la protection de la visière

- Le fait de fixer la protection de la visière empêche la visière de la casquette de frotter contre la machine et de s'endommager pendant la broderie.
- Si l'espace entre la visière de la casquette et la machine est suffisant, il sera peut-être possible de broder sans la protection de la visière.

Remarque

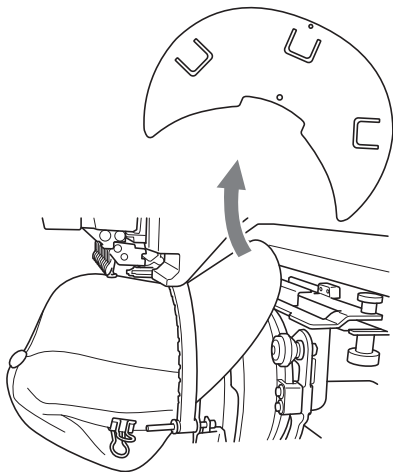
- Avant de broder, vérifiez bien la zone de broderie et vérifiez que la casquette ne va pas entraver le fonctionnement de la machine. Pour plus de détails sur la façon de vérifier la zone de broderie, reportez-vous au manuel d'instructions de la machine.
- Si la visière de la casquette entrave le fonctionnement de la machine, il est possible que le cadre supérieur n'ait pas été suffisamment enfoncé. Reportez-vous à la « Remarque » à l'étape 6 de la section « Fixez la casquette au cadre pour casquettes » à la page 8, et enfoncez fermement le cadre supérieur dans le cadre inférieur.

► La casquette est prête à être brodée.

■ Retrait du cadre pour casquettes

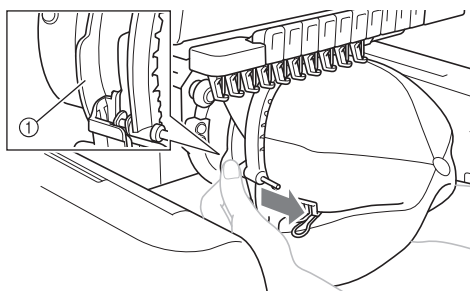
A la fin de la broderie, retirez le cadre pour casquettes, puis la casquette.

1 Retirez la protection de la visière de la visière de la casquette.



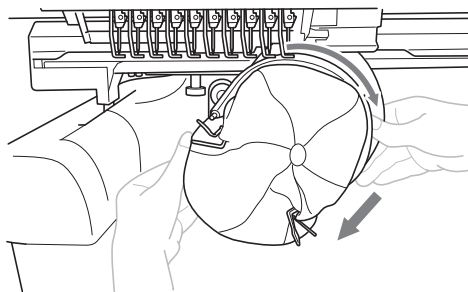
2 Retirez le cadre pour casquettes de son support.

Saisissez les poignées des deux côtés du cadre pour casquettes et enlevez le cadre en tirant comme illustré. Il est possible qu'il soit plus facile d'enlever le cadre en actionnant une seule poignée à la fois.



① Poignée

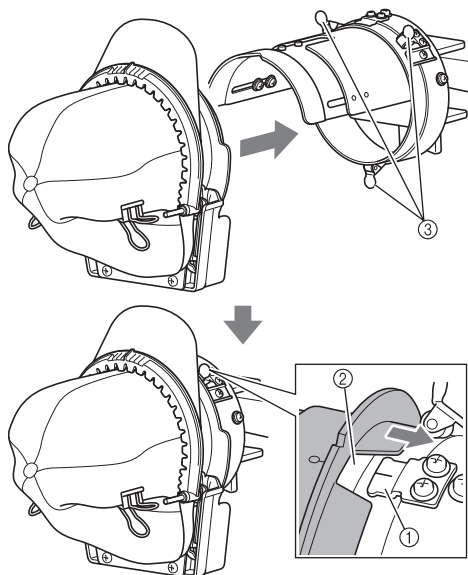
Comme illustré, tournez la zone de broderie vers le côté quand vous enlevez le cadre pour casquettes de sorte que le bord de la casquette ne vienne pas heurter la machine à broder.



- Vérifiez que le cadre pour casquettes ne touche pas de pièces environnantes, comme le pied presseur.

3 Fixez le cadre pour casquettes sur le dispositif d'assemblage.

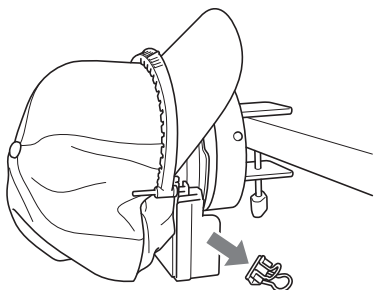
Quand vous positionnez le cadre inférieur du cadre pour casquettes, alignez l'encoche du cadre inférieur sur la plaque de guidage au centre du dispositif d'assemblage.



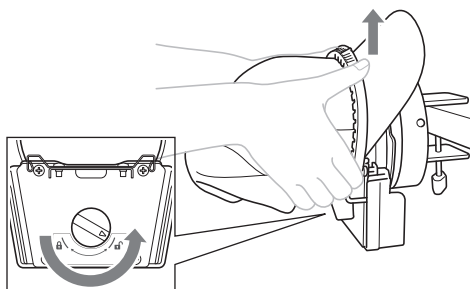
- ① Plaque de guidage sur le dispositif d'assemblage
- ② Encoche dans le cadre inférieur
- ③ Supports

► Le cadre pour casquettes se fixe avec trois ressorts.

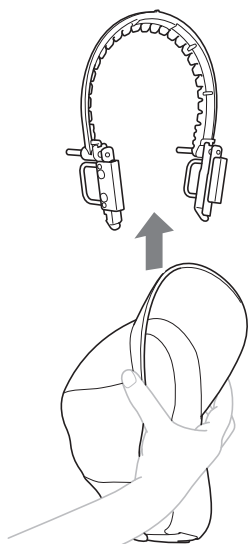
4 Retirez les clips de la casquette.



5 Mettez le bouton de verrouillage du cadre inférieur en position déverrouillée, puis retirez le cadre supérieur du cadre inférieur. Saisissez les poignées du cadre supérieur et retirez le cadre.



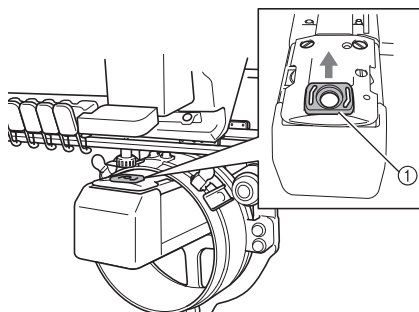
6 Comprimez légèrement la visière de la casquette et retirez le cadre supérieur de la casquette.



Installation du support du cadre de broderie

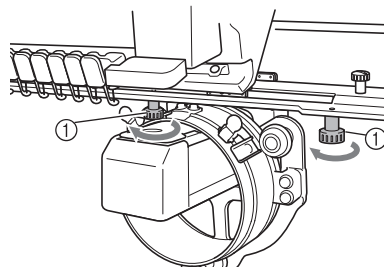
Une fois la broderie avec le cadre pour casquettes terminée, retirez la cale d'épaisseur de la plaque à aiguille et le support du cadre pour casquettes, puis réinstallez le support du cadre de broderie.

1 Retirez la cale d'épaisseur de la plaque à aiguille.



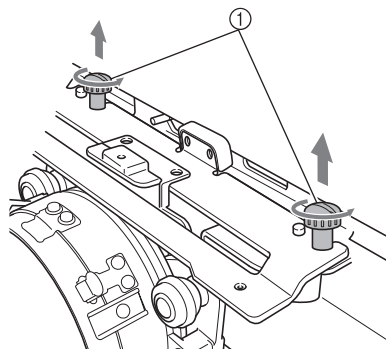
① Cale d'épaisseur de la plaque à aiguille

2 Desserrez les deux vis inférieures.



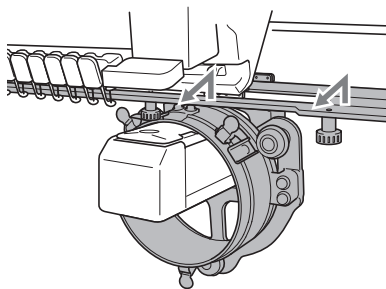
① Vis de serrage à main

3 Retirez les deux vis supérieures.



① Vis de serrage à main

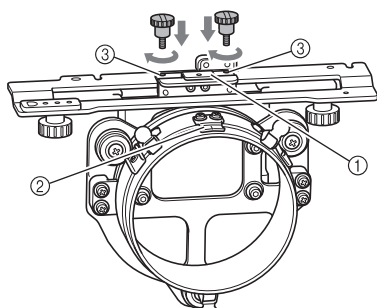
4 Retirez le support du cadre pour casquettes.



Remarque

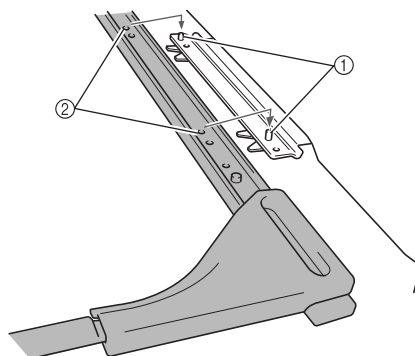
- Vérifiez que le support du cadre pour casquettes ne touche pas de pièces environnantes, comme le pied presseur.

5 Veillez à ce que le trou qui se trouve dans le support de la bande anti-transpiration du cadre pour casquettes soit aligné sur la ligne centrale de la plaque de guidage centrale, puis insérez les deux vis de serrage à main retirées à l'étape 3 dans les trous du dessus et serrez les vis de serrage à main.



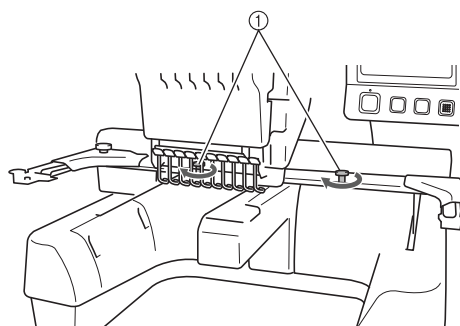
- ① Trou dans le support de la bande anti-transpiration
- ② Ligne centrale de la plaque de guidage
- ③ Trous du dessus
- Mettez les vis de serrage à main dans les trous où était installé le support du cadre pour casquettes à l'origine.
- La section mobile du support du cadre pour casquettes est fixée.

6 Alignez les trous du support du cadre de broderie sur les ergots de la plaque d'assemblage du cadre du chariot, puis fixez le support du cadre de broderie à l'aide des deux vis de serrage à main.



- ① Ergots sur la plaque d'assemblage du cadre du chariot
- ② Trous du support du cadre de broderie

7 Fixez le support du cadre de broderie à l'aide des deux vis de serrage à main.



- ① Utilisez les vis de serrage à main fournies avec la machine.

! ATTENTION

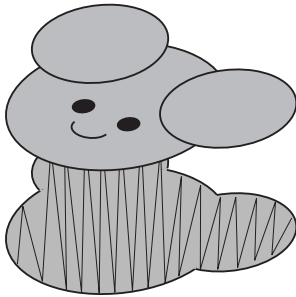


- Serrez fermement les vis de serrage à main.

Informations complémentaires numérisées

Lorsque vous créez un motif à broder à l'aide du cadre pour casquettes, faites attention aux points suivants afin d'éviter des problèmes d'enregistrement (mauvais alignement ou espaces dans le motif).

1 Réalisez des points de sous-couche.



2 Commencez depuis le centre du motif de broderie et brodez vers les extrémités.

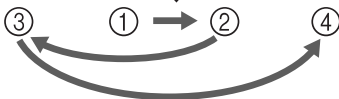
Avec cette machine, l'ordre dans lequel les motifs sont sélectionnés quand ils sont combinés correspond à l'ordre dans lequel ils seront brodés. Pour l'exemple suivant, sélectionnez les motifs dans l'ordre « E » → « A » → « B » → « R » pour réaliser le motif combiné « BEAR ».

BEAR

Ordre de broderie incorrect



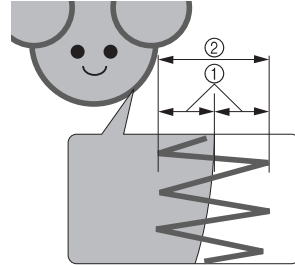
Ordre de broderie correct



Remarque

- Ne brodez pas d'un bout à l'autre, sinon le tissu risque de se froisser ou de rétrécir.

- ### 3
- Lorsque vous brodez les contours de motifs, assurez-vous que la largeur des points plumetis est d'au moins 2 mm, et que les points recouvrent le tissu d'au moins 1 mm. Vérifiez également qu'il n'y a pas de sauts de longs points dans les contours de chaque région ou lettre.

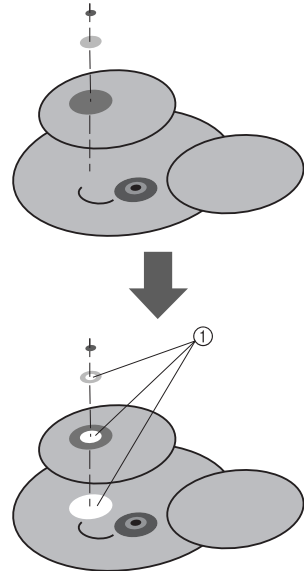


- ① Au moins 1 mm
- ② Au moins 2 mm

! ATTENTION



- Ne brodez pas ensemble plus de quatre couches superposées.



- ① Spécifiez que les zones superposées ne doivent pas être brodées.

Utilizar el bastidor para gorras

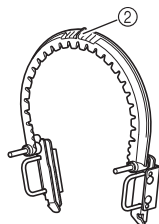
Con el bastidor para gorras, puede bordar patrones en gorras y sombreros. A continuación se describen los procedimientos para la utilización de este bastidor.

Bastidor para gorras y sus accesorios

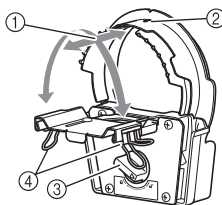
Compruebe que estén incluidos los siguientes elementos: bastidor para gorras, guía del bastidor para gorras, dispositivo de montaje del bastidor para gorras y los accesorios. Si falta algún accesorio o alguno estuviera dañado, póngase en contacto con su representante de ventas.

Bastidor para gorras: Bastidor superior/bastidor inferior

- ① Zona de bordado: 130 mm (An.) x 60 mm (Al.) (5-1/8 pulg. (An.) x 2-3/8 pulg. (Al.))
- ② Marcas que indican el centro de la zona de bordado
- ③ Mando de bloqueo
Se utiliza al colocar y retirar el bastidor superior.
- ④ Pinzas
Ya están colocadas cuando se adquiere el bastidor. Utilícelas para colocar la gorra en el bastidor para gorras.



Bastidor superior



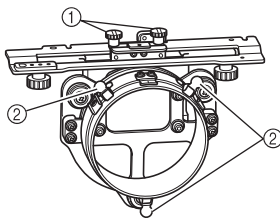
Bastidor inferior

- Cuando se adquiere el marco, los bastidores superior e inferior están unidos.

Guía del bastidor y cuatro tornillos de mariposa

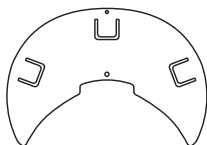
Para instalar el bastidor para gorras en el carro, retire el soporte del bastidor de bordado y coloque la guía del bastidor para gorras en el carro de la máquina.

- ① Instale los tornillos de mariposa en estos orificios y apriételes para fijar la parte móvil. Utilice estos orificios al guardar esta guía.
- ② Resortes de sujeción
El bastidor para gorras está sujeto con tres resortes de sujeción.



Protector de la visera

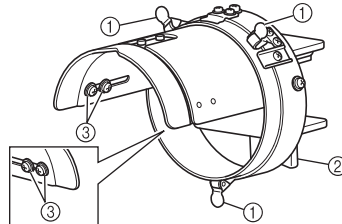
Evita que la visera de la gorra roce con la máquina y resulte dañada durante la costura.



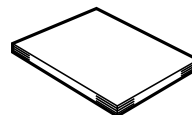
Dispositivo de montaje

Utilícelo para colocar una gorra en su bastidor para gorras.

- ① Soportes
El bastidor para gorras está sujeto con los tres soportes.
- ② Abrazadera de montaje
Apriete el tornillo de mariposa para sujetarlo bien a una superficie de montaje, como por ejemplo una mesa.
- ③ Tornillos
Ajuste el tamaño del dispositivo de montaje según el tipo de gorra que se esté bordando.



Manual de usuario



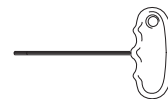
Relleno



Destornillador Allen (grande)



Destornillador Allen (mediano)



- Utilícelo al ajustar el aro de la guía del bastidor para gorras con la altura de la abrazadera en forma de L.

Nota

- Antes de utilizar este bastidor, compruebe que haya actualizado el software de su máquina a la última versión.
- Antes de colocar el bastidor, asegúrese de ajustar el aro de la guía del bastidor con la altura de la abrazadera en forma de L. (Si está utilizando la misma máquina, solo se necesita este ajuste la primera vez que la utiliza).
- Una vez ajustados el aro de la guía del bastidor para gorras y la altura de la abrazadera en forma de L (consulte la página 5), deberán ajustarse de nuevo si se utiliza una máquina diferente. La altura puede variar según la máquina que se utiliza. Si desea obtener más información, póngase en contacto con su distribuidor autorizado.
- Cuando el bastidor para gorras está colocado en la máquina, se muestra el siguiente indicador del bastidor de bordado.



Tipos de gorras

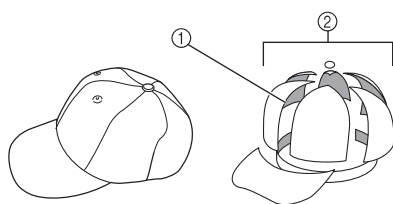
Con esta máquina, recomendamos el bordado de los siguientes tipos de gorras.

Aquí se usa una gorra de Otto International, Inc. como ejemplo.

(* La facilidad de colocación que se muestra en la tabla es la evaluada por nuestra empresa).

- Todos los nombres comerciales y nombres de productos de empresas que aparecen en nuestros productos, documentos asociados y cualquier otro material son marcas comerciales o marcas comerciales registradas de estas respectivas empresas.

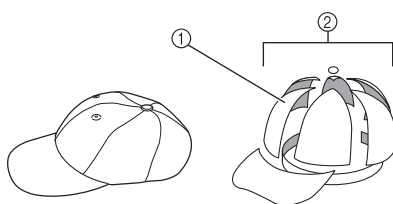
■ Estándar (estilo profesional)



- ① Frontal: Estilo Profesional
② 6 secciones

Respaldo de malla en la parte posterior de los paneles delanteros (blando o duro*)	Frontal rígido montado	Copa blanda sin montar
Fácil de colocar* en el bastidor	Fácil (recomendado)	Bastante fácil
Respaldo	De 1 a 2 hebras	De 2 a 3 hebras
Número de modelo de gorra de Otto International, Inc. (ejemplo)	OTTO27-007	

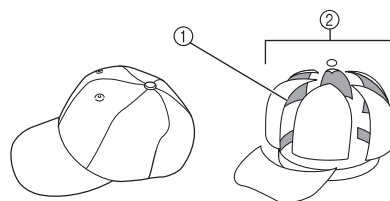
■ Perfil bajo (ajuste bajo)



- ① Frontal: Ajuste bajo
② 6 secciones

Respaldo de malla en la parte posterior de los paneles delanteros (blando o duro*)	Frontal rígido montado	Copa blanda sin montar	Frontal rígido montado
Fácil de colocar* en el bastidor	Fácil	Bastante fácil	Fácil
Respaldo	De 1 a 2 hebras	De 2 a 3 hebras	De 1 a 2 hebras
Número de modelo de gorra de Otto International, Inc. (ejemplo)	OTTO23-255	OTTO18-202	OTTO65-758 (para niños)

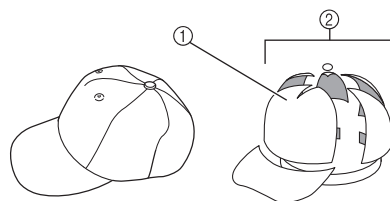
■ Visera plana



- ① Frontal: Estilo Profesional
② 6 secciones

Respaldo de malla en la parte posterior de los paneles delanteros (blando o duro*)	Frontal rígido montado	Frontal rígido montado
Fácil de colocar* en el bastidor	Fácil	Fácil
Respaldo	De 1 a 2 hebras	De 1 a 2 hebras
Número de modelo de gorra de Otto International, Inc. (ejemplo)	OTTO125-1038	OTTO145-1044 (para niños)

■ Estilo Golf

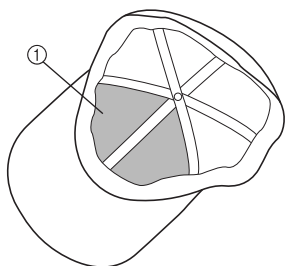


- ① Frontal: No dividido
② 5 secciones

Respaldo de malla en la parte posterior de los paneles delanteros (blando o duro*)	Frontal rígido montado
Fácil de colocar* en el bastidor	Bastante fácil
Respaldo	De 1 a 2 hebras
Número de modelo de gorra de Otto International, Inc. (ejemplo)	OTTO37-024

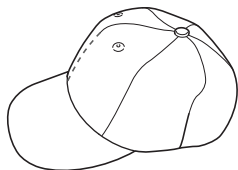
Recuerde

- Compruebe si la zona ① está cubierta de malla. (A continuación se muestra una gorra con malla).



Nota

- No hay una línea central que se pueda utilizar como guía para colocar la gorra en el bastidor. Antes de colocar la gorra en el bastidor, utilice una tiza para marcar la línea central.



Gorras no recomendadas para bordar

- Gorras con un panel delantero de altura inferior a 50 mm (2 pulg.) (como una visera)
- Gorras con una visera de más de 80 mm (3-1/16 pulg.)

Medidas de precaución para el tejido

Tejido para gorras recomendado para bordar

- 35 % algodón/65 % poliéster
- 100 % algodón
- 80 % lana/20 % nailon
- 15 % lana/85 % acrílico

Tejido para gorras no recomendado para bordar

Las gorras fabricadas con estos tipos de tejidos son muy difíciles de colocar en el bastidor, y además pueden arrugarse o encogerse.

- Espuma de poliéster
- Telas elásticas
- Lana Meltón
- 100 % nailon
- Ante

Preparación para el uso del bastidor para gorras

Instalar la guía del bastidor para gorras

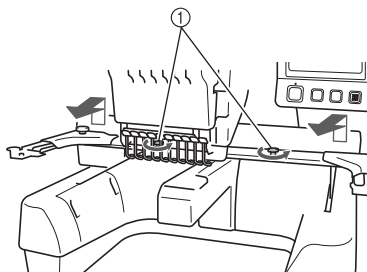
Retire el soporte del bastidor de bordado del carro de la máquina y, a continuación, coloque la guía del bastidor para gorras. Antes de quitar el soporte del bastidor, retire el bastidor.

AVISO

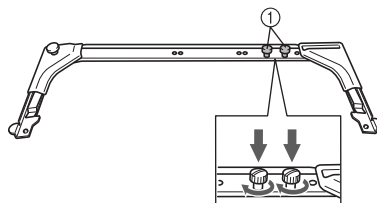


- Antes de cambiar cualquier soporte del bastidor, asegúrese de que la máquina esté apagada.

- 1 Afloje los dos tornillos de mariposa y retire el soporte del bastidor de bordado y los tornillos de mariposa.

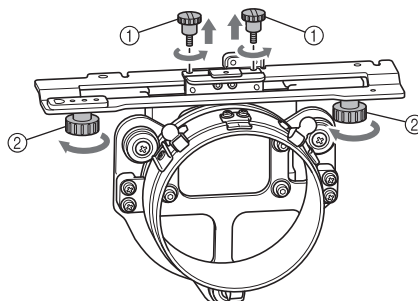


- 1 Tornillos de mariposa
- Los tornillos de mariposa deben seguir colocados en el soporte del bastidor de bordado.



- 1 Guarde los dos tornillos de mariposa en el soporte del bastidor de bordado para que no se pierdan.

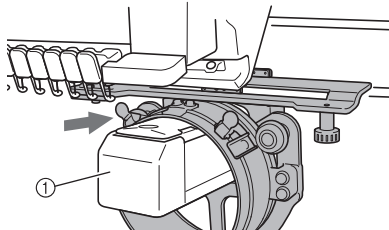
- 2 Retire los dos tornillos de mariposa superiores de la guía del bastidor para gorras y, a continuación, afloje los dos tornillos de mariposa inferiores.



- 1 Tornillos de mariposa superiores
- 2 Tornillos de mariposa inferiores

3 Encienda la máquina con el interruptor de la alimentación. Una vez que el carro cambia a la posición inicial, apague la máquina.

4 Pase la plataforma de la máquina por el aro de la guía del bastidor.



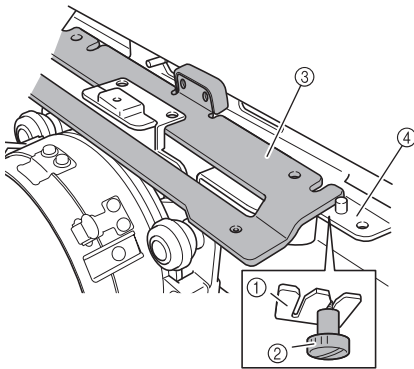
① Plataforma de la máquina

Nota

- Asegúrese de que la guía del bastidor no golpea ninguna otra pieza cercana, por ejemplo, el pie prensatela.

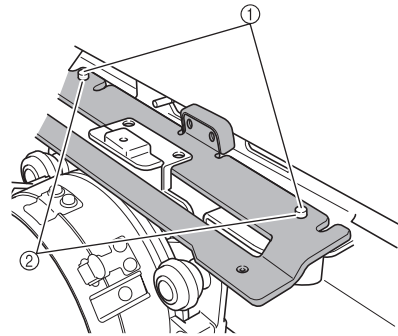
Coloque la guía del bastidor para gorras en el carro como se describe en los pasos 5 a 8.

5 Coloque los dos tornillos de mariposa de la parte inferior de la guía del bastidor para gorras en las aberturas en V del carro y, a continuación, coloque la placa de montaje de dicha guía en la parte superior de la placa de montaje del bastidor en el carro.



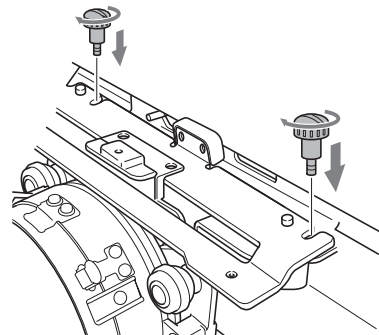
① Abertura en V en el carro
 ② Tornillo de mariposa de la guía del bastidor
 ③ Placa de montaje de la guía del bastidor
 ④ Placa de montaje del bastidor en el carro

6 Inserte las patillas de la placa de montaje del bastidor del carro en los orificios de la placa de montaje de la guía del bastidor.

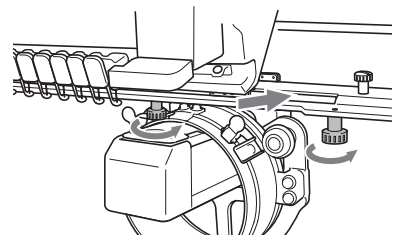


① Patillas de la placa de montaje del bastidor del carro
 ② Orificios de la placa de montaje de la guía del bastidor

7 Instale y apriete los dos tornillos de mariposa superiores (retirados en el paso 2) en los orificios externos de la placa de montaje de la guía del bastidor para gorras.

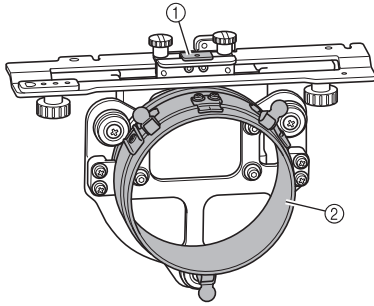


8 Mientras presiona con fuerza sobre la guía del bastidor para gorras hacia la máquina para insertarla completamente, apriete los dos tornillos de mariposa inferiores para sujetarla bien.



► Con esto finaliza la colocación de la guía del bastidor.

■ Ajustar la guía del bastidor para gorras



- ① Abrazadera en forma de L
- ② Aro

Recuerde

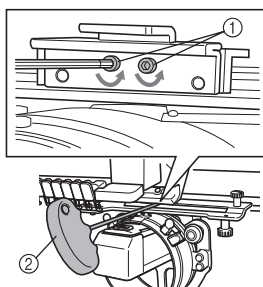
- Si se está utilizando la misma máquina, sólo se necesitan los ajustes del bastidor para gorras la primera vez que la utiliza.

- 1** Encienda la máquina con el interruptor de la alimentación. Una vez que el carro cambia a la posición inicial, apague la máquina.

Nota

- Asegúrese de ajustar la guía del bastidor con el carro en la posición inicial.

- 2** Con el destornillador Allen (mediano), afloje una vuelta los dos tornillos hexagonales en la dirección de la flecha.

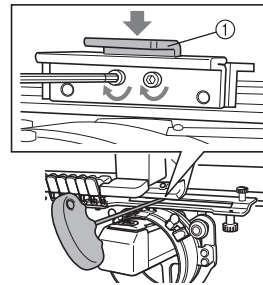


- ① Tornillos hexagonales
- ② Destornillador Allen (mediano)

Nota

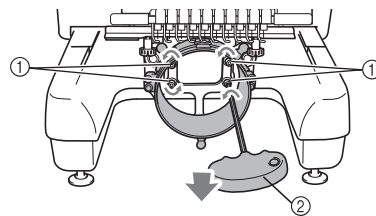
- No afloje demasiado los tornillos.

- 3** Baje la abrazadera en forma de L hasta que entre en contacto con la plataforma de la máquina y utilice el destornillador Allen (mediano) para apretar firmemente los dos tornillos hexagonales.



- ① Abrazadera en forma de L

- 4** Con el destornillador Allen (grande), afloje una vuelta los cuatro tornillos hexagonales de la parte interior del aro en la dirección de la flecha.



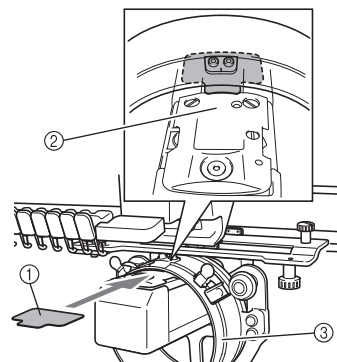
- ① Tornillos hexagonales
- ② Destornillador Allen (grande)

- ▶ Cuando los tornillos están flojos, se puede bajar el aro.

Nota

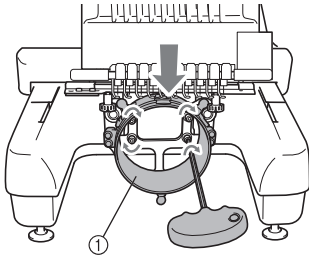
- No afloje demasiado los tornillos.

- 5** Introduzca el relleno entre la plataforma de la máquina y el aro de la guía del bastidor para gorras.



- ① Relleno
- ② Plataforma de la máquina
- ③ Aro de la guía del bastidor

- 6** Presione ligeramente el aro y, a continuación, apriete firmemente con el destornillador Allen (grande) los cuatro tornillos hexagonales de la parte interior del aro.



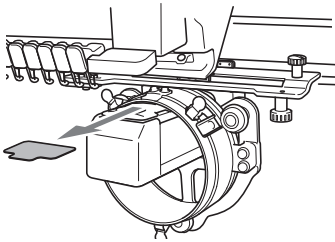
① Aro

! AVISO



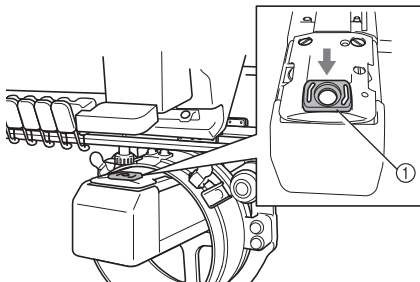
- Asegúrese de que cada tornillo hexagonal está bien apretado. Si algún tornillo se queda flojo, podrían producirse lesiones.

- 7** Retire el relleno colocado en el paso 5.



■ Colocación del separador de la placa de la aguja

Coloque el separador de la placa de la aguja (incluido con la máquina) en la placa de la aguja.

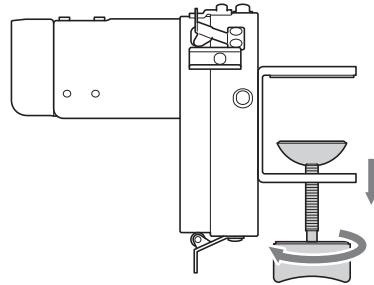


① Separador de la placa de la aguja

■ Preparar el dispositivo de montaje

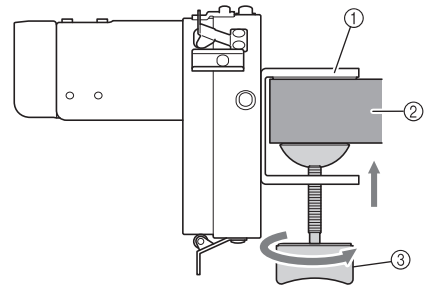
Coloque el dispositivo de montaje en una superficie estable, por ejemplo, una mesa.

- 1** Afloje el tornillo de mariposa del dispositivo de montaje para abrir la abrazadera de montaje de manera que quede más ancha que el grosor de la superficie de montaje.



- La abrazadera de montaje puede montarse en una superficie de montaje con un grosor de entre 9 mm (3/8 pulg.) y 38 mm (1-1/2 pulg.).

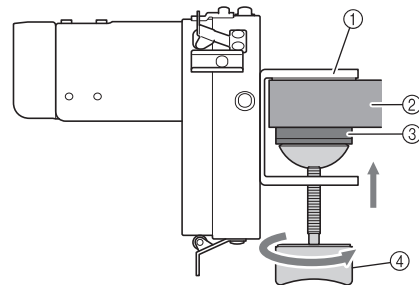
- 2** Sujete con firmeza la abrazadera de montaje en la superficie apretando los tornillos de mariposa.



- ① Abrazadera de montaje
- ② Superficie de montaje (mesa de trabajo, etc.)
- ③ Apriete el tornillo de mariposa.

Recuerde

- Si hay un hueco entre el relleno de sujeción del tornillo de mariposa y la superficie de montaje, introduzca el relleno incluido como se muestra a continuación.



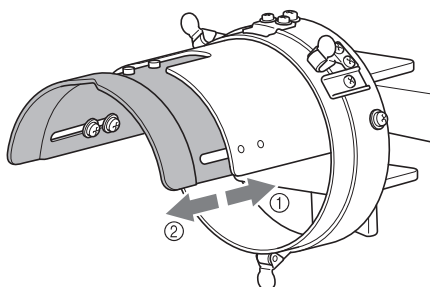
- ① Abrazadera de montaje
- ② Superficie de montaje (mesa de trabajo, etc.)
- ③ Relleno
- ④ Tornillo de mariposa

- 3 Compruebe que no hay holgura.**
Si hay holgura, vuelva a colocar el dispositivo de montaje en la superficie de montaje.

Nota

- Compruebe que la abrazadera de montaje esté firmemente colocada en la superficie de montaje y que el tornillo de mariposa está bien apretado.
- No coloque el dispositivo de montaje en una superficie inestable (flexible, doblada o deformada).
- Asegúrese de que el dispositivo de montaje no se caiga mientras lo está quitando.

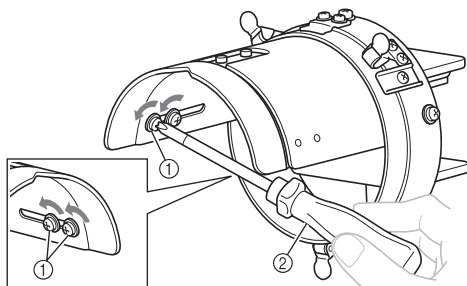
- 4 Ajuste el tamaño del dispositivo de montaje según el tipo de gorra que se esté bordando.**



- ① Perfil bajo (ajuste bajo)
- ② Estándar (estilo profesional)

■ Para el tipo estándar

Utilizando un destornillador Phillips, afloje una vuelta los cuatro tornillos (los dos de la izquierda y los dos de la derecha) de la parte interior del dispositivo de montaje.

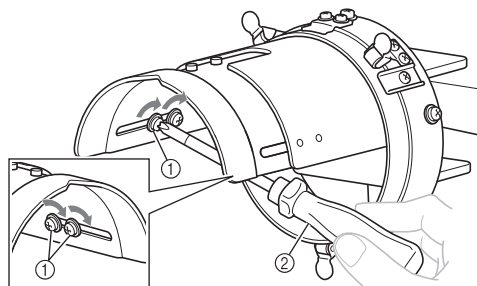


- ① Tornillos
- ② Destornillador Phillips

Nota

- No retire ninguno de los cuatro tornillos (los dos de la izquierda y los dos de la derecha), ya que podrían perderse. Sólo gire los tornillos para aflojarlos ligeramente.

Tire del dispositivo de montaje hacia usted y, a continuación, utilice el destornillador Phillips para apretar los cuatro tornillos (los dos de la izquierda y los dos de la derecha).

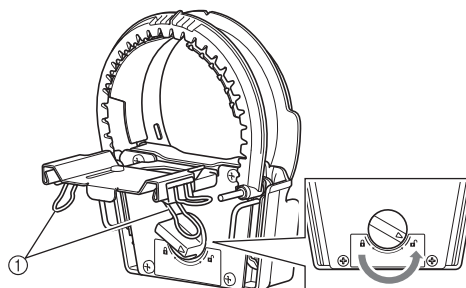


- ▶ Con esto finaliza la preparación del dispositivo de montaje.

■ Retirar el bastidor superior del bastidor para gorras del bastidor inferior

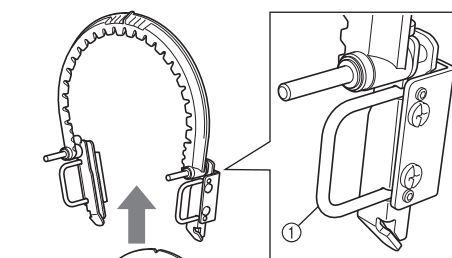
Cuando se adquiere el bastidor para gorras, los bastidores superior e inferior están unidos. Retire el bastidor superior del bastidor inferior.

- 1 Retire las pinzas colocadas en el bastidor inferior y coloque el mando de bloqueo en la posición de desbloqueo.**



- ① Pinzas

- 2 Sujete las pinzas del bastidor superior y retire dicho bastidor del bastidor inferior.**

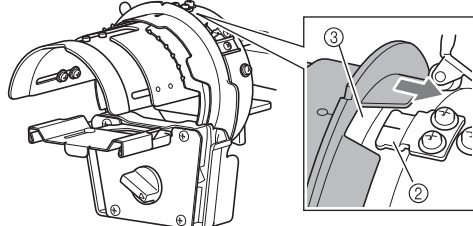
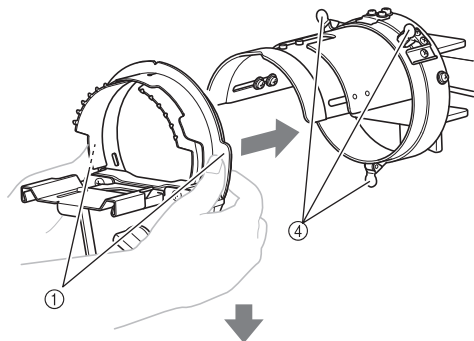


- ① Empuñadura

Colocar el bastidor para gorras

■ Colocar el bastidor inferior del bastidor para gorras en el dispositivo de montaje

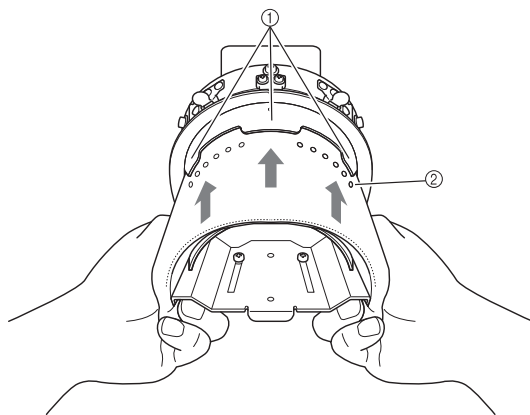
- 1** Coloque el bastidor inferior del bastidor para gorras en el dispositivo de montaje. Sujete las empuñaduras a ambos lados del bastidor inferior del bastidor para gorras y empuje. Al colocar el bastidor inferior del bastidor para gorras, alinee la muesca del bastidor inferior con la placa de referencia del centro del dispositivo de montaje.



- ① Empuñaduras
- ② Placa de referencia del dispositivo de montaje
- ③ Muesca en el bastidor inferior
- ④ Soportes

► El bastidor para gorras está sujeto con tres soportes.

- 2** Deslice el material estabilizador debajo de las tres pestañas del bastidor inferior del bastidor para gorras y fije el material estabilizador con las patillas.

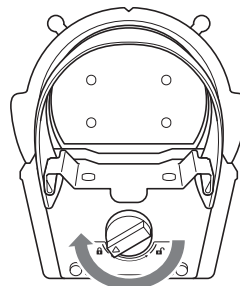


- ① Tres pestañas
- ② Patilla

- Compruebe que las patillas pasen por el material estabilizador para fijarlo bien.

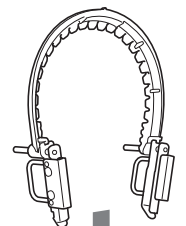
■ Coloque la gorra en su bastidor para gorras

- 1** Coloque el mando de bloqueo del bastidor inferior en la posición de bloqueo.



- 2** Apriete ligeramente la visera de la gorra y coloque el bastidor superior en la base de la visera.

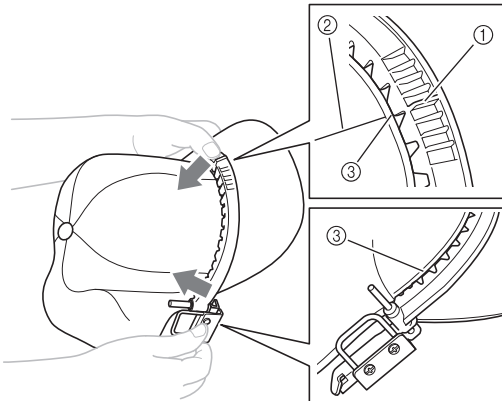
- No intente ensanchar el bastidor superior por la fuerza. Podría dañar el bastidor.



- 3** Alinee la línea central del bastidor superior con la línea central de la gorra; a continuación, ajuste los dientes de la parte central y de los lados izquierdo y derecho del bastidor superior a la base de la visera de la gorra.

Realice este procedimiento apretando ligeramente la visera de la gorra.

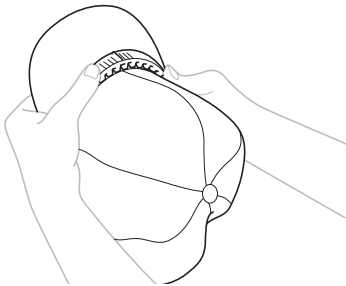
- No intente ensanchar el bastidor superior por la fuerza. Podría dañar el bastidor.



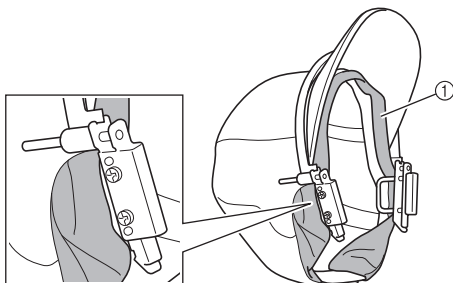
- ① Línea central del bastidor superior
- ② Línea central de la gorra
- ③ Base de la visera de la gorra

4 Manteniendo unidos el bastidor superior y la visera de la gorra, coloque el resto del bastidor superior en la base de la visera de la gorra.

- En función del tipo de gorra, es posible que la visera no quede perfectamente alineada con el bastidor superior en zonas que no sean la parte central y los lados izquierdo y derecho.

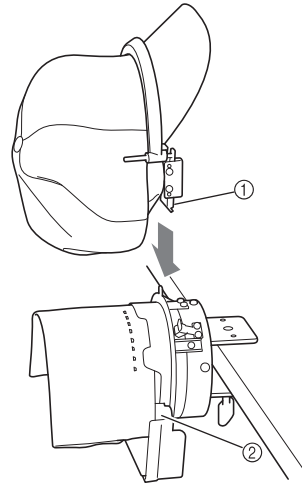


5 Extraiga el protector contra sudor de la gorra y colóquelo entre la patilla y el accesorio a cada lado del bastidor superior.



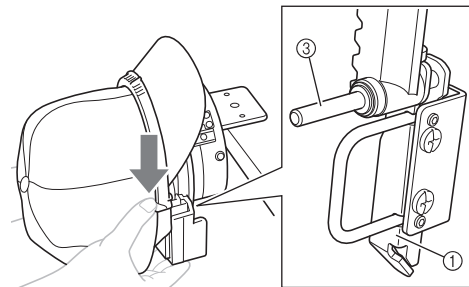
- ① Protector contra sudor

6 Coloque el bastidor superior desde la parte superior, de modo que la pestaña situada a cada lado del bastidor superior encaje en la abertura situada a cada lado del bastidor inferior.



- ① Pestaña del bastidor superior
- ② Abertura en el bastidor inferior

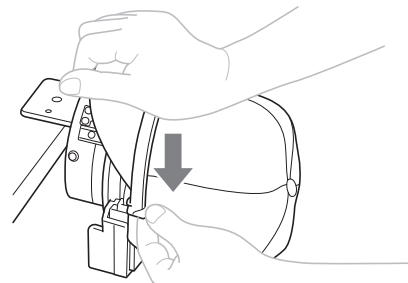
Sujetando con los dedos la parte inferior del bastidor inferior, empuje la patilla del bastidor superior hacia abajo con el pulgar.



- ③ Patilla del bastidor superior

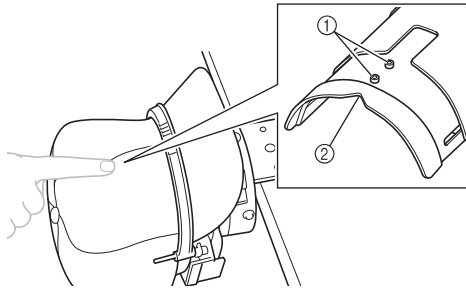
Nota

- Si resulta difícil empujar hacia abajo la patilla del bastidor superior, empuje hacia abajo la parte central del bastidor superior con la mano para ayudar a bajar el bastidor superior. Realice este procedimiento en los lados izquierdo y derecho.



- 7** Compruebe que la línea central de la gorra esté alineada con los salientes y la muesca en forma de V de la parte central del dispositivo de montaje.

Presione ligeramente el exterior de la gorra con la mano.

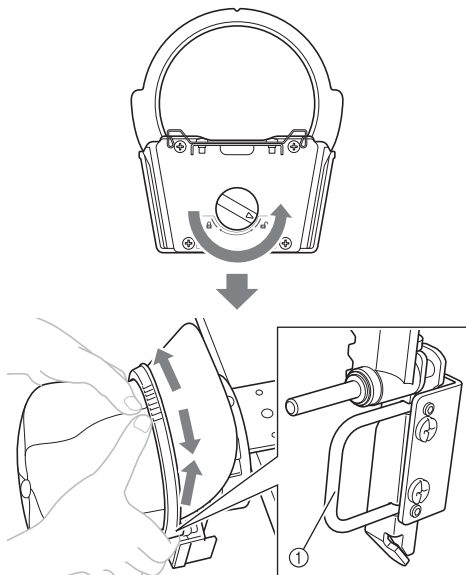


- ① Salientes
- ② Muesca en forma de V

Recuerde

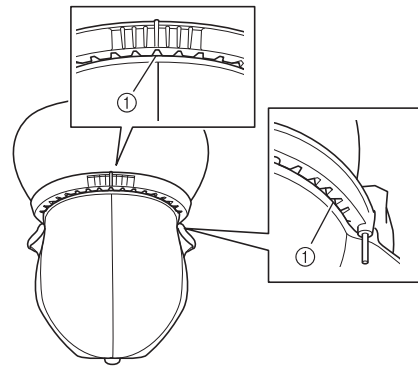
Si la línea central de la gorra no está alineada con los salientes y la muesca en forma de V:

1. Coloque el mando de bloqueo del bastidor inferior en la posición de desbloqueo.
2. Sujete las empuñaduras del bastidor superior, tire del bastidor hacia arriba y vuelva a colocarlo de modo que quede nivelado en los lados izquierdo y derecho.
3. Vuelva a colocar el mando de bloqueo del bastidor inferior en la posición de bloqueo.
4. Vuelva a realizar los pasos 6 a 7.



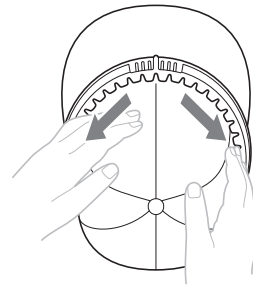
- ① Empuñadura

- 8** Compruebe que los dientes de la parte central y de los lados izquierdo y derecho del bastidor superior queden ajustados a la base de la visera de la gorra.

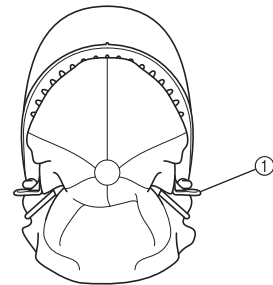


- ① Base de la visera de la gorra

- 9** Tire del tejido de la gorra hacia fuera desde el centro para tensarlo.



- 10** Utilice las pinzas para sujetar la gorra.

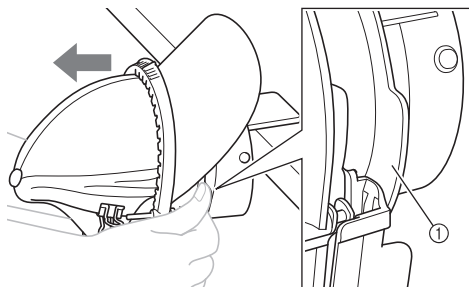


- ① Pinza
- Si desea más información acerca de las zonas que deben sujetarse con las pinzas, consulte el paso 1 de la sección “Retirar el bastidor superior del bastidor para gorras del bastidor inferior” en la página 7.
- Repita los pasos 9 y 10 en el otro lado para eliminar cualquier holgura y sujete el tejido con las pinzas.

11 Retire el bastidor para gorras del dispositivo de montaje.

Sujete las empuñaduras a ambos lados del bastidor para gorras y tire del bastidor de la forma mostrada.

Seguramente le resultará más sencillo retirar el bastidor si ejerce fuerza sobre una sola empuñadura a la vez.



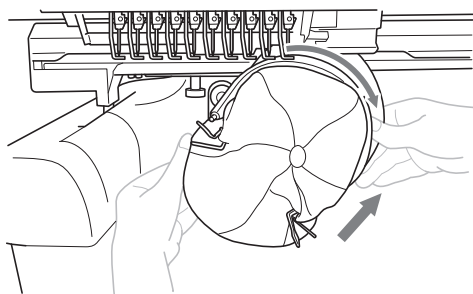
① Empuñadura

■ Colocación del bastidor para gorras en la máquina de bordar

Se necesita la guía del bastidor para gorras para colocar el bastidor en la máquina. Antes de colocar el bastidor en la máquina, coloque la guía del bastidor en el carro.

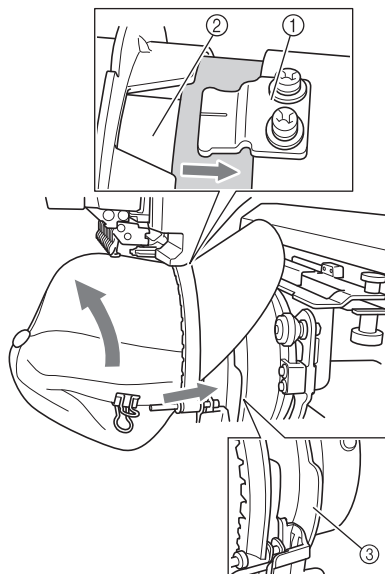
1 Coloque el bastidor en la guía.

De la forma indicada, sitúe a un lado la zona de bordado al insertar el bastidor para gorras, de modo que la visera de la gorra no entre en contacto con la máquina de bordar.



- Asegúrese de que el bastidor no golpee ninguna otra pieza cercana, por ejemplo, el pie prensatela.

Después de girar el bastidor para gorras de modo que la zona de bordado quede hacia arriba, alinee el aro de la guía del bastidor para gorras con el aro del bastidor para gorras. Moviéndolo a la derecha y a la izquierda, alinee la muesca del bastidor para gorras con la placa de referencia de la guía del bastidor para gorras; a continuación, sujete las empuñaduras a ambos lados del bastidor para gorras y presiónelo hasta que encaje en su posición.

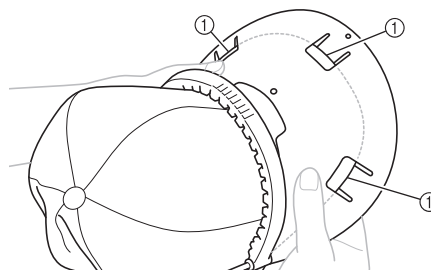


- ① Placa de referencia de la guía del bastidor para gorras
- ② Muesca del bastidor para gorras
- ③ Empuñadura

► El bastidor para gorras está sujeto con tres soportes. Con esto finaliza la instalación del bastidor para gorras.

2 Coloque el protector de la visera de la gorra.

Coloque los tres retenes (central, izquierdo y derecho) del protector de la visera de la gorra debajo de dicha visera y alinee el protector correctamente con el bastidor superior.



- ① Retenes del protector de la visera
- El protector evita que la visera de la gorra roce con la máquina y resulte dañada durante la costura.
- Si existe espacio suficiente entre la visera de la gorra y la máquina, puede coserse sin el protector de la visera.

Nota

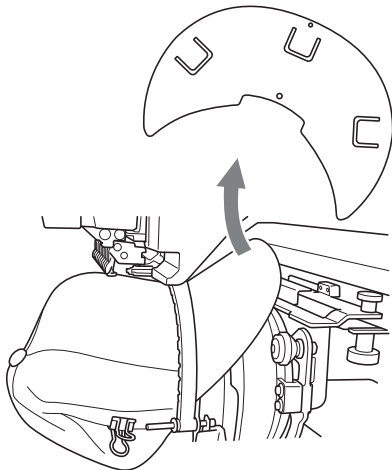
- Antes de coser, compruebe siempre la zona de bordado y confirme que la gorra no entrará en contacto con la máquina. Para más información acerca de cómo comprobar la zona de bordado, consulte el Manual de instrucciones de la máquina.
- Si la visera de la gorra entra en contacto con la máquina, es posible que el bastidor superior no quede bien presionado. Consulte la "Nota" en el paso 6 de la sección "Coloque la gorra en su bastidor para gorras" en la página 8, y empuje firmemente hacia abajo el bastidor superior en el bastidor inferior.

► Ya puede empezar a bordar la gorra.

Retirar el bastidor para gorras

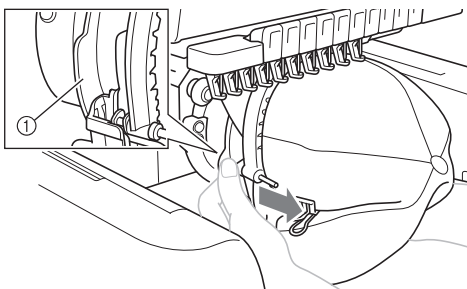
Después de terminar de bordar, retire el bastidor y, a continuación, saque la gorra.

1 Retire el protector de la visera de la gorra.



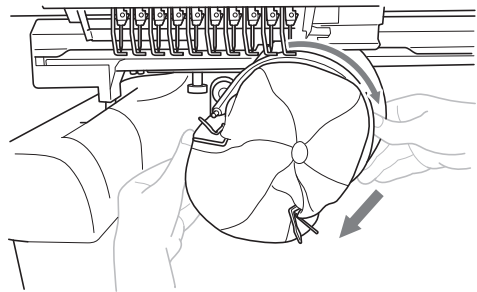
2 Retire el bastidor para gorras de la guía.

Sujete las empuñaduras a ambos lados del bastidor para gorras y tire del bastidor de la forma mostrada. Seguramente le resultará más sencillo retirar el bastidor si ejerce fuerza sobre una sola empuñadura a la vez.



① Empuñadura

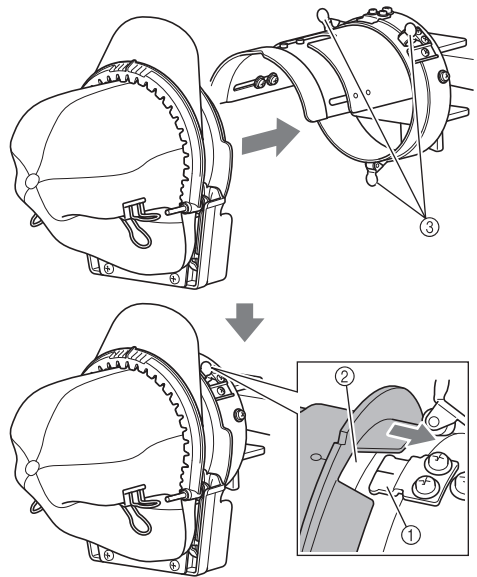
De la forma indicada, sitúe a un lado la zona de bordado al retirar el bastidor para gorras, de modo que la visera de la gorra no entre en contacto con la máquina de bordar.



- Asegúrese de que el bastidor no golpea ninguna otra pieza cercana, por ejemplo, el pie prensatela.

3 Coloque el bastidor para gorras en el dispositivo de montaje.

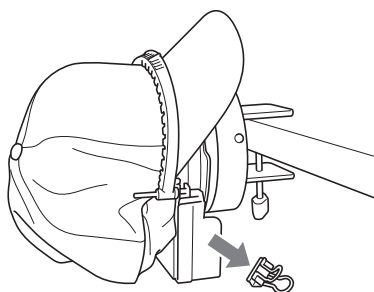
Al colocar el bastidor inferior del bastidor para gorras, alinee la muesca del bastidor inferior con la placa de referencia del centro del dispositivo de montaje.



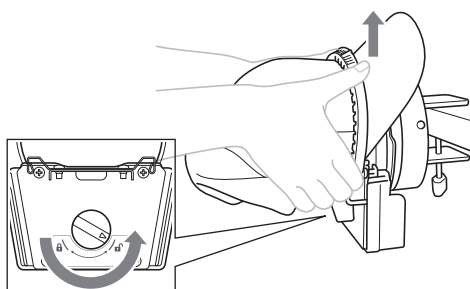
- ① Placa de referencia del dispositivo de montaje
- ② Muesca en el bastidor inferior
- ③ Soportes

► El bastidor para gorras está sujeto con tres soportes.

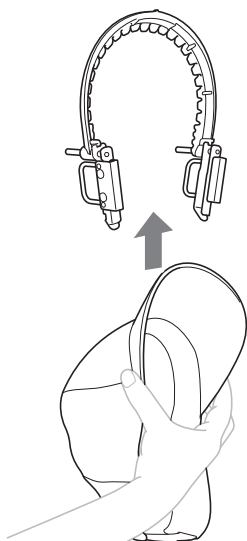
- 4** Retire las pinzas de la gorra.



- 5** Coloque el mando de bloqueo del bastidor inferior en la posición de desbloqueo y retire el bastidor superior del bastidor inferior. Sujete las pinzas del bastidor superior y retire el bastidor.



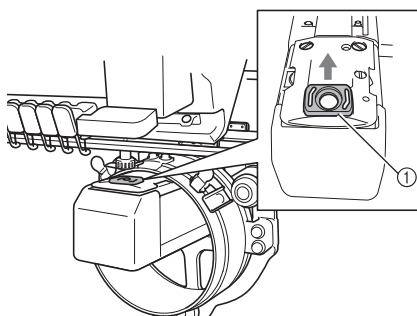
- 6** Apriete ligeramente la visera de la gorra y retire el bastidor superior de la gorra.



Instalar el soporte del bastidor de bordado

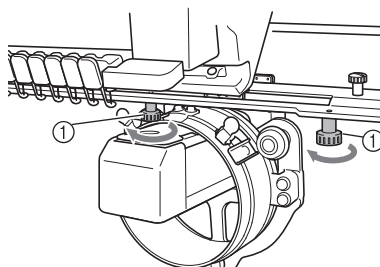
Después de terminar de bordar con el bastidor para gorras, retire el separador de la placa de la aguja y la guía del bastidor para gorras y vuelva a colocar el soporte del bastidor de bordado.

- 1** Retire el separador de la placa de la aguja.



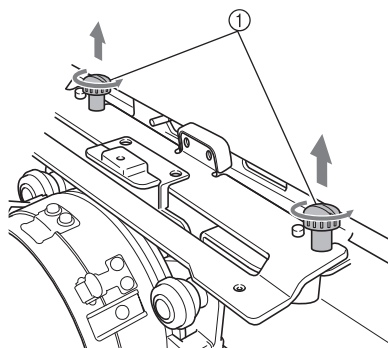
① Separador de la placa de la aguja

- 2** Afloje los dos tornillos de mariposa inferiores.



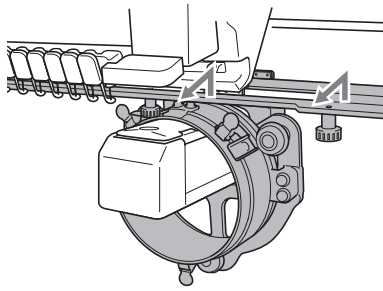
① Tornillos de mariposa

- 3** Retire los dos tornillos de mariposa superiores.



① Tornillos de mariposa

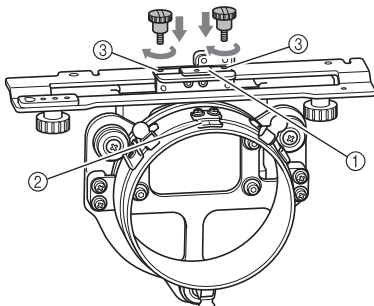
4 Retire la guía del bastidor para gorras.



Nota

- Asegúrese de que la guía del bastidor no golpea ninguna otra pieza cercana, por ejemplo, el pie prensatela.

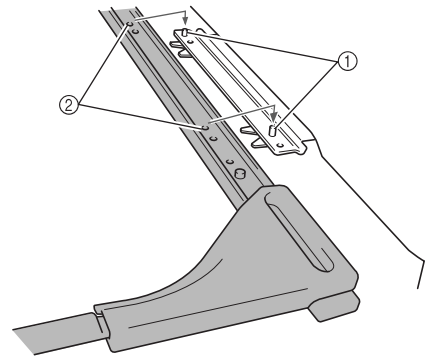
5 Después de alinear el orificio del protector contra sudor de la guía del bastidor para gorras con la línea central de la placa de referencia central, coloque los dos tornillos de mariposa que retiró en el paso 3 en los orificios de la parte superior y apriételes.



- ① Orificio del protector contra sudor
- ② Línea central de la placa de referencia
- ③ Orificios de la parte superior
- Instale los tornillos de mariposa en los orificios donde se instaló originalmente la guía del bastidor para gorras.

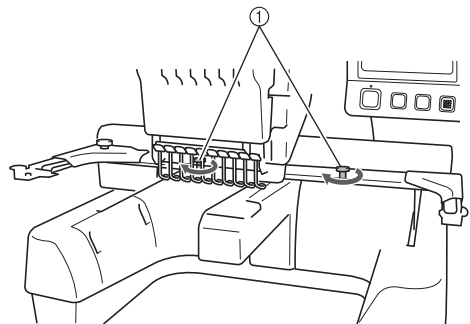
► La parte móvil de la guía del bastidor está bien ajustada.

6 Alinee los orificios del soporte del bastidor de bordado con las patillas de la placa de montaje del bastidor del carro; a continuación, fije el soporte del bastidor de bordado con los dos tornillos de mariposa.



- ① Patillas de la placa de montaje del bastidor del carro
- ② Orificios del soporte del bastidor

7 Ajuste el soporte del bastidor con los dos tornillos de mariposa.



- ① Utilice los tornillos de mariposa incluidos con la máquina.

! AVISO

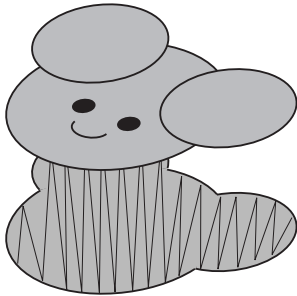


- Apriete bien los tornillos de mariposa.

Información digitalizada adicional

Cuando cree un patrón de bordado con el bastidor para gorras, preste atención a los siguientes puntos para evitar problemas de registro (alineación incorrecta o huecos en el patrón).

1 Cosa puntadas de refuerzo.



2 Empiece desde el centro del patrón de bordado y cosa hacia los extremos.

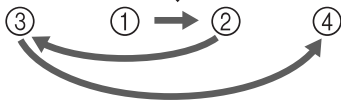
Con esta máquina, el orden en el que están seleccionados los patrones cuando se combinan será el mismo en el que se coserán. Para el ejemplo siguiente, seleccione los patrones en el orden "E" → "A" → "B" → "R" para crear el patrón combinado "BEAR".

BEAR

Orden de costura incorrecto



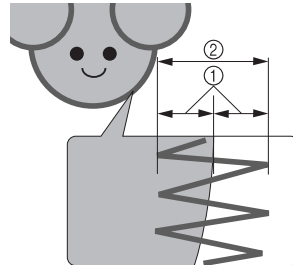
Orden de costura correcto



Nota

- No cosa de un extremo al otro, de lo contrario el tejido podría arrugarse o encogerse.

- ### 3
- Cuando cosa contornos de patrones, asegúrese de que la anchura de la puntada para satén sea al menos de 2 mm y que la costura se solape al tejido al menos 1 mm. Compruebe también que no hay saltos de puntadas largas en el contorno de cada zona o letra.

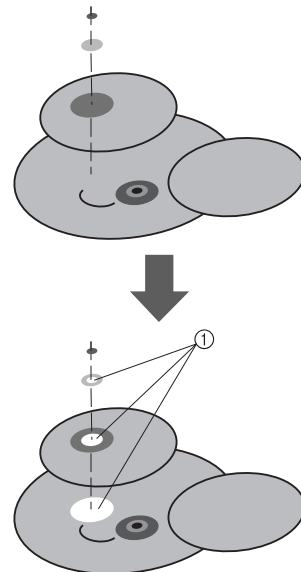


- ① Al menos 1 mm
- ② Al menos 2 mm

! AVISO



- No cosa más de cuatro capas solapadas.



- ① Especifique las zonas solapadas que no se van a coser.

Utilizando o bastidor de boné

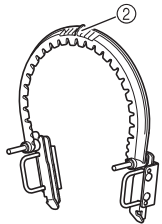
Ao utilizar o bastidor de boné, padrões poderão ser bordados em bonés e chapéus. Os procedimentos para utilizar o bastidor de boné são descritos a seguir.

Bastidor de boné e seus acessórios

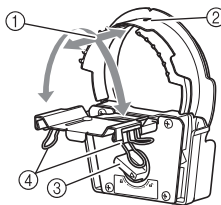
Verifique se o bastidor de boné, o acionador do bastidor de boné, a base de montagem do bastidor de boné e os acessórios a seguir estão incluídos. Se algum item estiver faltando ou estiver danificado, entre em contato com o seu representante de vendas.

Bastidor de boné: Bastidor superior/ Bastidor inferior

- 1 Área de bordado: 130 mm (L) × 60 mm (A) (5-1/8 polegadas (C) × 2-3/8 polegadas (A))
- 2 As marcas indicam o centro da área de bordado
- 3 Botão de trava Utilizado ao fixar e remover o bastidor superior.
- 4 Presilhas Encontradas aqui quando o bastidor é comprado. Use para fixar o boné ao bastidor de boné.



Bastidor superior



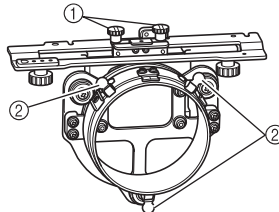
Bastidor inferior

- No momento da compra do bastidor, os bastidores superior e inferior estarão fixados juntos.

Acionador do bastidor de boné e 4 parafusos de aperto manual

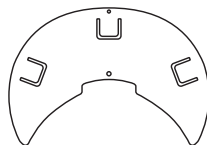
Para instalar o bastidor de boné no carro, remova o suporte do bastidor de bordar e, em seguida, fixe esse acionador do bastidor de boné no carro da máquina.

- 1 Instale os parafusos de aperto manual nesses orifícios e aperte os parafusos para fixar a seção móvel. Use esses orifícios ao armazenar esse acionador de bastidor de boné.
- 2 Molas de retenção O bastidor de boné é fixado com três molas de retenção.



Protetor da aba

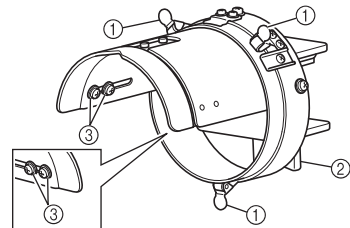
Evita que a aba do boné fricção contra a máquina e se danifique durante a costura.



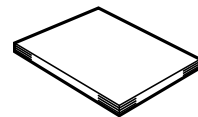
Base de montagem

Use para colocar um boné no bastidor de boné.

- 1 Presilhas O bastidor de boné é fixado com as três presilhas.
- 2 Encaixe de fixação Aperte o parafuso de aperto manual para fixar a uma superfície de montagem, como uma mesa.
- 3 Parafusos Ajuste o tamanho da base de montagem de acordo com o tipo de boné que você estiver bordando.



Manual do usuário



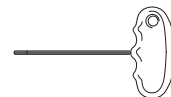
Almofada



Chave Allen (grande)



Chave Allen (média)



- Utilizadas para ajustar o anel do acionador do bastidor de boné e a altura do suporte em L.

🔦 OBSERVAÇÃO

- Antes de usar este bastidor, certifique-se de que o software da sua máquina esteja atualizado para a versão mais recente.
- Antes de instalar o bastidor de boné, certifique-se de ajustar o anel do acionador do bastidor de boné e a altura do suporte em L. (Se você estiver utilizando a mesma máquina, esse ajuste será necessário somente na primeira vez em que ela for utilizada.)
- Depois de ajustar o anel do acionador do bastidor de boné e a altura do suporte em L (consulte a página 5), eles deverão ser ajustados novamente se você utilizar uma máquina diferente. A altura poderá variar de acordo com a máquina em uso. Para obter mais informações, entre em contato com seu revendedor autorizado.
- Quando o bastidor de boné é fixado à máquina, o indicador do bastidor de bordar a seguir é exibido.



Tipos de bonés

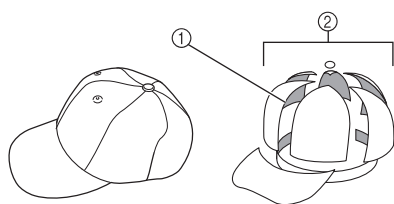
Nesta máquina, recomendamos que sejam bordados os seguintes tipos de bonés.

Um boné da Otto International, Inc. é usado aqui como exemplo.

(* A facilidade de prender no bastidor é avaliada por nossa empresa.)

- Quaisquer nomes comerciais e nomes de produtos de empresas que apareçam em nossos produtos, documentos relacionados e outros materiais são marcas comerciais ou marcas comerciais registradas dessas respectivas empresas.

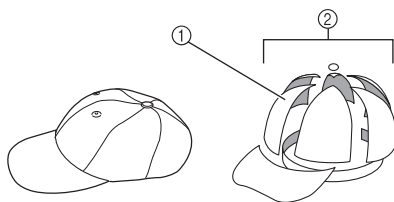
■ Padrão (estilo profissional)



- ① Face: Estilo profissional
② 6 gomos

Forro de malha no avesso dos painéis frontais (macios ou rígidos*)	Frete firme ereta	Coroa macia não ereta
Facilidade de prender no bastidor* (colocando o tecido no bastidor)	Fácil (recomendado)	Relativamente fácil
Forro	1 a 2 camadas	2 a 3 camadas
Número do modelo do boné da Otto International Inc. (exemplo)	OTTO27-007	

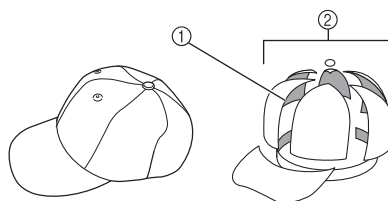
■ Perfil curto (encaixe baixo)



- ① Face: Encaixe baixo
② 6 gomos

Forro de malha no avesso dos painéis frontais (macios ou rígidos*)	Frete firme ereta	Coroa macia não ereta	Frete firme ereta
Facilidade de prender no bastidor* (colocando o tecido no bastidor)	Fácil	Relativamente fácil	Fácil
Forro	1 a 2 camadas	2 a 3 camadas	1 a 2 camadas
Número do modelo do boné da Otto International Inc. (exemplo)	OTTO23-255	OTTO18-202	OTTO65-758 (para crianças)

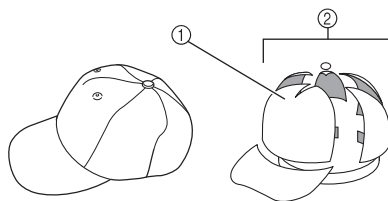
■ Viseira plana



- ① Face: Estilo profissional
② 6 gomos

Forro de malha no avesso dos painéis frontais (macios ou rígidos*)	Frete firme ereta	Frete firme ereta
Facilidade de prender no bastidor* (colocando o tecido no bastidor)	Fácil	Fácil
Forro	1 a 2 camadas	1 a 2 camadas
Número do modelo do boné da Otto International Inc. (exemplo)	OTTO125-1038	OTTO145-1044 (para crianças)

■ Estilo golfe

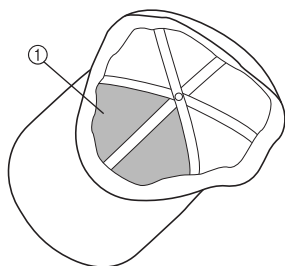


- ① Face: Não dividido
② 5 gomos

Forro de malha no avesso dos painéis frontais (macios ou rígidos*)	Frete firme ereta
Facilidade de prender no bastidor* (colocando o tecido no bastidor)	Relativamente fácil
Forro	1 a 2 camadas
Número do modelo do boné da Otto International Inc. (exemplo)	OTTO37-024

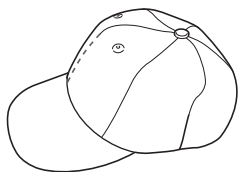
Lembrete

- Verifique se a área ① está coberta com malha. (Um boné com malha é exibido abaixo.)



OBSERVAÇÃO

- Não existe uma linha central que possa ser utilizada como um guia para colocar o boné no bastidor de boné. Antes de colocar o boné no bastidor, utilize um lápis de giz para marcar a linha central.



Bonés não recomendados para bordar

- Bonés com um painel frontal com menos de 50 mm (2 polegadas) de altura (como viseiras)
- Bonés com a aba maior do que 80 mm (3-1/16 polegadas)

Precauções com relação aos tecidos

Tecidos de boné recomendados para bordar

- 35% algodão/65% poliéster
- 100% algodão
- 80% lã/20% náilon
- 15% lã/85% acrílico

Tecidos de boné não recomendados para bordar

Bonés dos tipos de tecido a seguir são muito difíceis de prender no bastidor; eles podem enrugur ou encolher.

- Espuma de poliéster
- Tecidos elásticos
- Tecido pesado de lã
- 100% náilon
- Camurça

Preparando-se para utilizar o bastidor de boné

Instalando o acionador do bastidor de boné

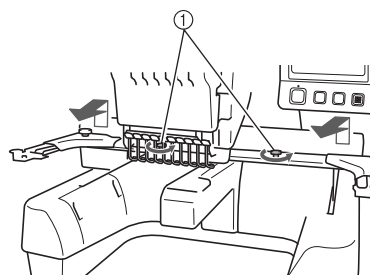
Remova o suporte do bastidor de bordar do carro da máquina e, em seguida, instale o acionador do bastidor de boné. Antes de remover o suporte do bastidor, remova o bastidor de bordar.

! CUIDADO

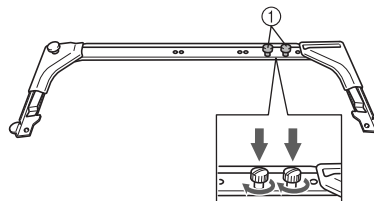


- Antes de trocar qualquer suporte do bastidor de bordar, verifique se sua máquina está desligada.

- 1 Afrouxe os dois parafusos de aperto manual e, em seguida, remova a base de suporte do bastidor de bordar e os parafusos de aperto manual.

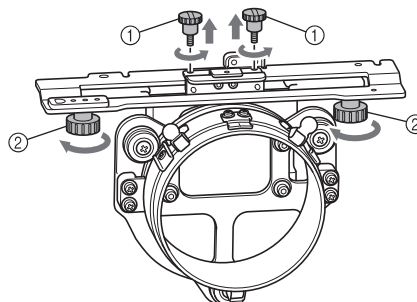


- 1 Parafusos de aperto manual
- Os parafusos de aperto manual devem permanecer fixados ao suporte do bastidor de bordar.



- 1 Guarde os dois parafusos de aperto manual no suporte do bastidor de bordar para que não sejam perdidos.

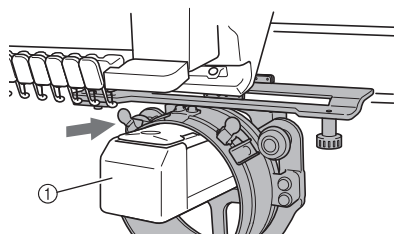
- 2 Remova os dois parafusos de aperto manual superiores do acionador do bastidor de boné e, em seguida, afrouxe os dois parafusos de aperto manual inferiores.



- 1 Parafusos de aperto manual superiores
- 2 Parafusos de aperto manual inferiores

3 Ligue a máquina, usando seu interruptor Liga/Desliga. Depois que o carro se mover para sua posição inicial, desligue a máquina.

4 Passe a base da máquina pelo anel do acionador do bastidor de boné.



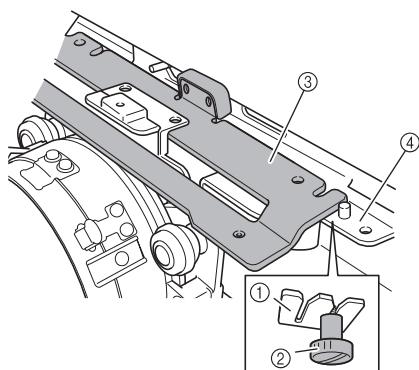
① Base da máquina

OBSERVAÇÃO

- Tenha o cuidado de não deixar o acionador do bastidor de boné esbarrar nas peças adjacentes, tais como o calçador.

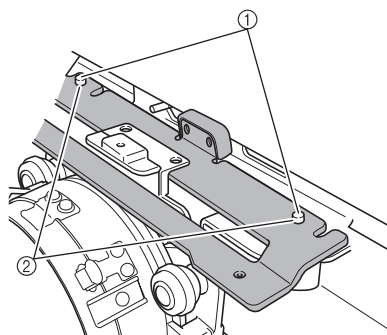
Instale o acionador do bastidor de boné no carro conforme descrito nos passos de **5** a **8** a seguir.

5 Insira os dois parafusos de aperto manual na parte inferior do acionador do bastidor de boné nas aberturas em V do carro e, em seguida, coloque a placa de montagem do acionador do bastidor de boné em cima da placa de montagem do bastidor, que fica no carro.



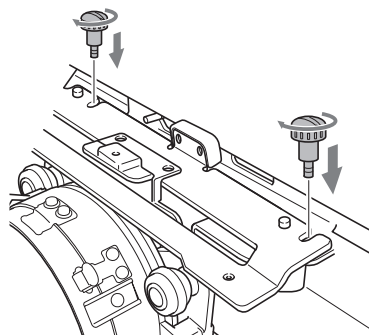
- ① Abertura em V do carro
- ② Parafuso de aperto manual do acionador do bastidor de boné
- ③ Placa de montagem do acionador do bastidor de boné
- ④ Placa de montagem do bastidor, que fica no carro

6 Insira os pinos da placa de montagem do bastidor do carro nos orifícios que ficam na placa de montagem do acionador do bastidor de boné.

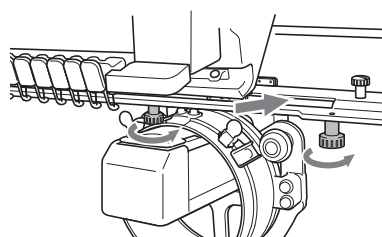


- ① Pinos existentes na placa de montagem do bastidor do carro
- ② Orifícios da placa de montagem do acionador do bastidor de boné

7 Insira e aperte os dois parafusos de aperto manual superiores (removidos no passo 2) nos orifícios externos da placa de montagem do acionador do bastidor de boné.

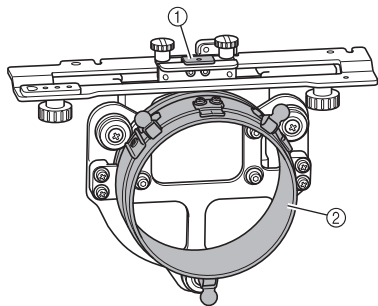


8 Enquanto empurra o acionador do bastidor de boné em direção à máquina para que fique totalmente inserido, aperte os dois parafusos de aperto manual inferiores para fixar o acionador do bastidor de boné.



► Isso conclui a instalação do acionador do bastidor de boné.

■ Ajustando o acionador do bastidor de boné



- ① Suporte em L
- ② Anel

Lembrete

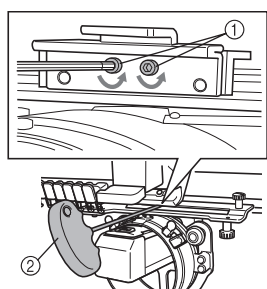
- Se você estiver utilizando a mesma máquina, o ajuste no acionador do bastidor de boné será necessário somente na primeira vez que a máquina for utilizada.

- 1** Ligue a máquina, usando seu interruptor Liga/Desliga. Depois que o carro se mover para sua posição inicial, desligue a máquina.

OBSERVAÇÃO

- Certifique-se de ajustar o acionador do bastidor de boné com o carro em sua posição inicial.

- 2** Utilizando a chave Allen (média), afrouxe os dois parafusos hexagonais em uma volta na direção da seta.

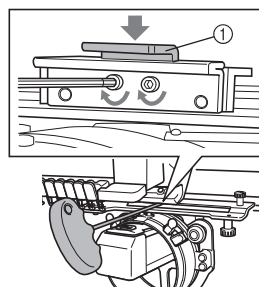


- ① Parafusos hexagonais
- ② Chave Allen (média)

OBSERVAÇÃO

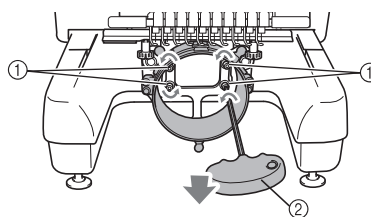
- Não afrouxe demais os parafusos.

- 3** Abaixé o suporte em L até que toque a base da máquina. Em seguida, use a chave Allen (média) para apertar com firmeza os dois parafusos hexagonais.



- ① Suporte em L

- 4** Utilizando a chave Allen (grande), afrouxe os quatro parafusos hexagonais do lado interno do anel em uma volta na direção da seta.



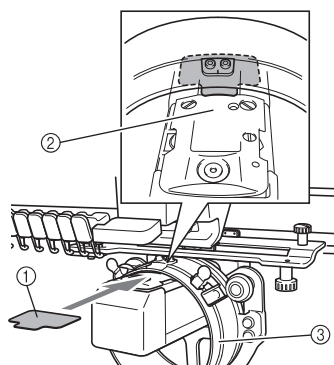
- ① Parafusos hexagonais
- ② Chave Allen (grande)

- ▶ Quando os parafusos estiverem desapertados, você poderá abaixar o anel.

OBSERVAÇÃO

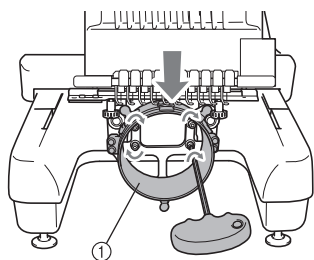
- Não afrouxe demais os parafusos.

- 5** Insira a almofada entre a base da máquina e o anel do acionador do bastidor.



- ① Almofada
- ② Base da máquina
- ③ Anel do acionador do bastidor de boné

- 6** Pressione o anel levemente para baixo e use a chave Allen (grande) para apertar firmemente os quatro parafusos hexagonais do lado interno do anel.

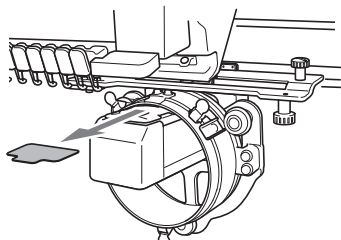


① Anel

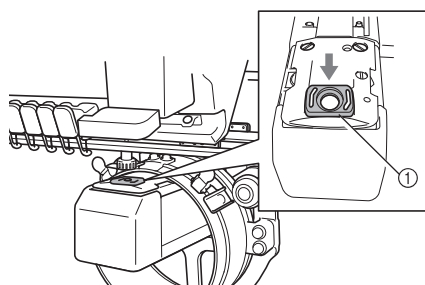
! CUIDADO

- !** Verifique se cada parafuso hexagonal está firmemente apertado. Se algum parafuso permanecer frouxo, a máquina poderá causar ferimentos.

- 7** Remova a almofada inserida no passo 5.



- Instalando o espaçador da chapa da agulha**
 Fixe o espaçador da chapa da agulha (fornecido com a máquina) à chapa da agulha.

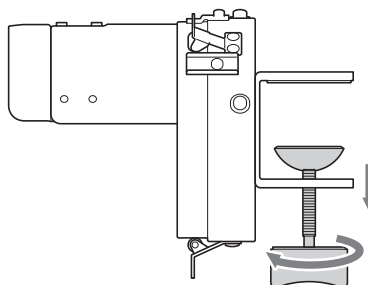


① Espaçador da chapa de agulha

- Preparando a base de montagem**

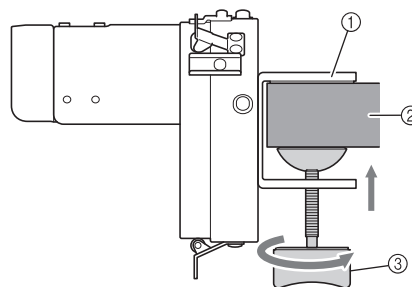
Fixe a base de montagem em uma superfície estável, como uma bancada.

- 1** Desaperte o parafuso de aperto manual da base de montagem para abrir o encaixe de fixação, deixando-o mais largo do que a espessura da placa de montagem.



- O encaixe de fixação pode ser montado em uma superfície de montagem com espessura de 9 mm (3/8 polegada) a 38 mm (1-1/2 polegada).

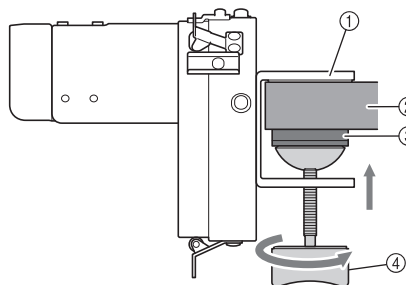
- 2** Aperte firmemente o encaixe de fixação na superfície de montagem apertando o parafuso de aperto manual.



- ① Encaixe de fixação
 ② Superfície de montagem (bancada, mesa, etc.)
 ③ Aperte o parafuso de aperto manual.

📖 Lembrete

- Se houver folga entre o parafuso de aperto manual e a superfície de montagem, insira a almofada fornecida conforme ilustrado abaixo.



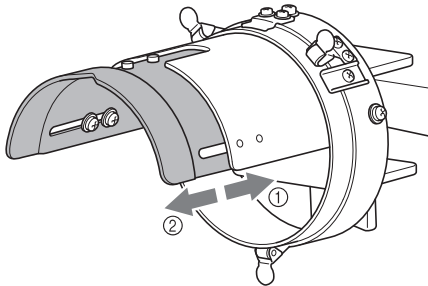
- ① Encaixe de fixação
 ② Superfície de montagem (bancada, mesa, etc.)
 ③ Almofada
 ④ Parafuso de aperto manual

3**Verifique se não há folga.**

Se houver folga monte novamente a base de montagem na superfície onde será fixada.

OBSERVAÇÃO

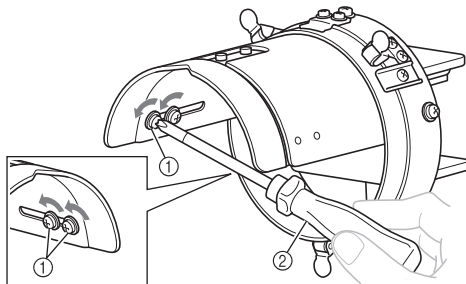
- Certifique-se de que o encaixe de fixação esteja firmemente fixado na superfície de montagem e que o parafuso de aperto manual esteja bem apertado.
- Não instale a base de montagem em uma superfície instável (flexível, torta ou dobrada).
- Tenha o cuidado de não deixar a base de montagem cair quando for removida.

4**Ajuste o tamanho da base de montagem de acordo com o tipo de boné que você estiver bordando.**

- ① Perfil curto (encaixe baixo)
② Padrão (estilo profissional)

Para o tipo padrão

Usando uma chave Phillips, afrouxe os quatro parafusos (dois à esquerda e dois à direita) da parte interna da base de montagem em uma volta.

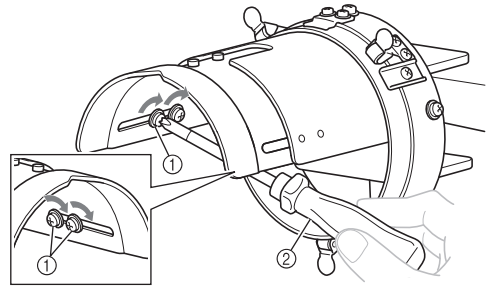


- ① Parafusos
② Chave Phillips

OBSERVAÇÃO

- Não remova nenhum dos quatro parafusos (dois à esquerda e dois à direita); caso contrário, eles podem ser perdidos. Gire os parafusos apenas o suficiente para afrouxá-los.

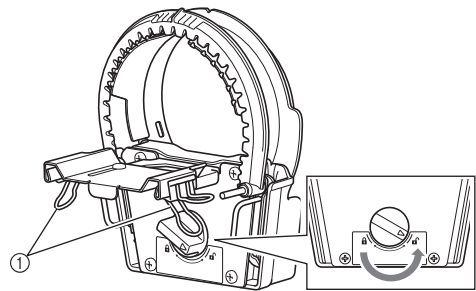
Puxe a base de montagem na sua direção e, em seguida, utilize a chave Phillips para apertar os quatro parafusos (dois à esquerda e dois à direita).



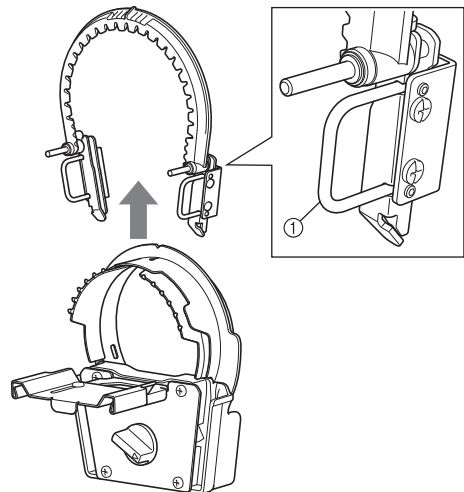
► Isso conclui a preparação da base de montagem.

Removendo do bastidor inferior o bastidor superior do bastidor de boné

No momento da compra do bastidor de boné, os bastidores superior e inferior estarão fixados juntos. Remova o bastidor superior do bastidor inferior.

1**Remova as presilhas fixadas ao bastidor inferior e, em seguida, coloque o botão de trava na posição de desbloqueado.**

- ① Presilhas

2**Segure nas alças do bastidor superior e remova o bastidor superior do bastidor inferior.**

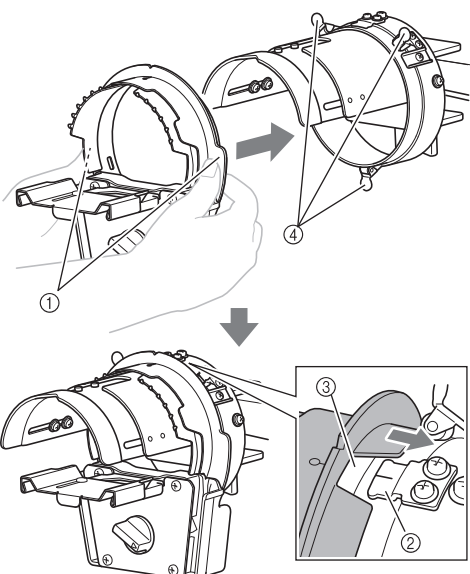
- ① Alça

Fixando o bastidor de boné

■ Fixando o bastidor inferior do bastidor de boné à base de montagem

1 Fixe o bastidor inferior do bastidor de boné à base de montagem.

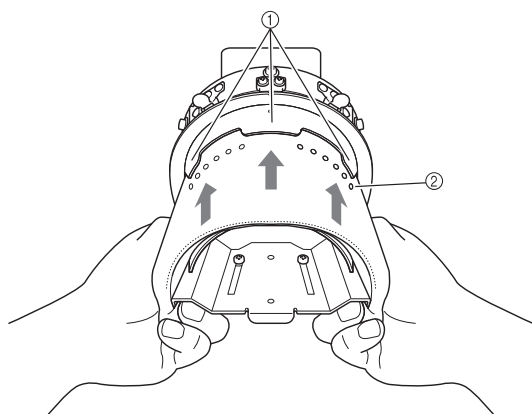
Segure nas alças em ambos os lados do bastidor inferior do bastidor de boné e empurre. Ao posicionar o bastidor inferior do bastidor de boné, alinhe a abertura do bastidor inferior com a placa guia localizada no centro da base de montagem.



- ① Alças
- ② Placa guia da base de montagem
- ③ Abertura do bastidor inferior
- ④ Presilhas

► O bastidor de boné é fixado com três presilhas.

2 Deslize o estabilizador sob as três abas localizadas no bastidor inferior do bastidor de boné e, em seguida, fixe o estabilizador com os pinos.

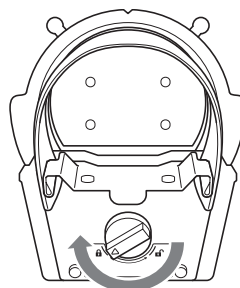


- ① Três abas
- ② Pino

- Certifique-se de que os pinos atravessem o estabilizador para fixá-la firmemente.

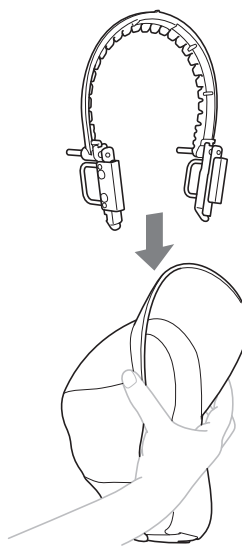
■ Fixe o boné ao bastidor de boné

1 Coloque o botão de trava do bastidor inferior na posição de bloqueado.



2 Aperte ligeiramente a aba do boné e encaixe o bastidor superior na base da aba do boné.

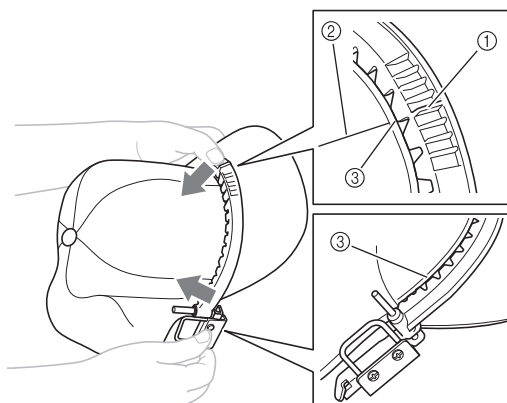
- Não force a abertura do bastidor superior. Isso pode danificar o bastidor.



3 Alinhe a linha central do bastidor superior com a linha central do boné e, em seguida, encaixe os dentes centrais e dos lados esquerdo e direito do bastidor superior na base da aba do boné.

Faça isso enquanto aperta ligeiramente a aba do boné.

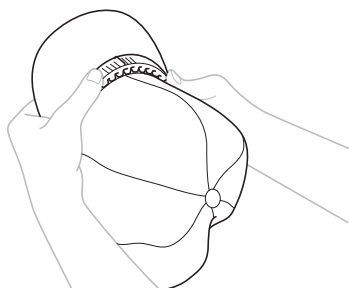
- Não force a abertura do bastidor superior. Isso pode danificar o bastidor.



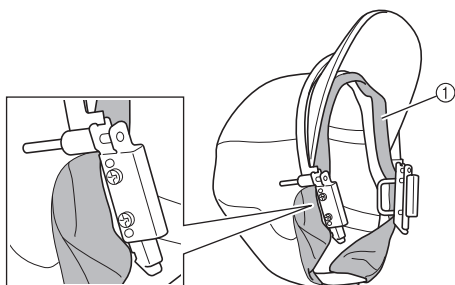
- ① Linha central do bastidor superior
- ② Linha central do boné
- ③ Base da aba do boné

4 Enquanto segura o bastidor superior e a aba do boné juntos, encaixe o restante do bastidor superior na base da aba do boné.

- Dependendo do tipo de boné, a aba do boné pode não ficar perfeitamente alinhada com o bastidor superior em áreas que não sejam o centro e os lados direito e esquerdo.

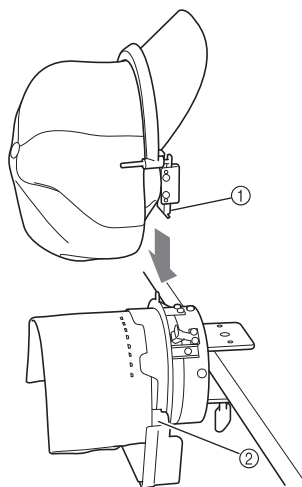


5 Vire a faixa antitranspiração do boné e encaixe-a entre o pino e o encaixe localizado em cada lado do bastidor superior.



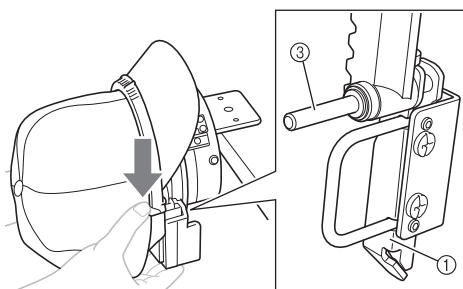
- ① Faixa antitranspiração do boné

6 Posicione o bastidor superior a partir de cima de modo que a aba localizada em cada lado do bastidor superior se encaixe na abertura de cada lado do bastidor inferior.



- ① Aba do bastidor superior
- ② Abertura do bastidor inferior

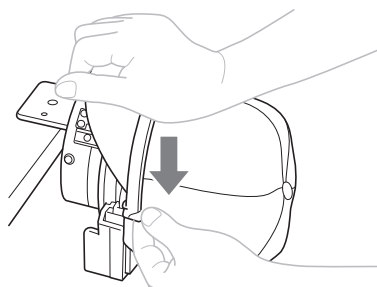
Enquanto segura a parte de baixo do bastidor inferior com seus dedos, pressione para baixo o pino no bastidor superior com o seu polegar.



- ③ Pino do bastidor superior

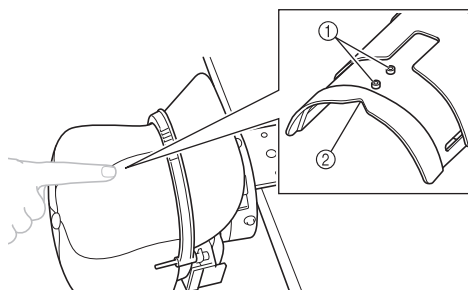
🔦 OBSERVAÇÃO

- Se estiver difícil de pressionar para baixo o pino no bastidor superior, pressione para baixo no centro do bastidor superior com sua mão para ajudar a pressionar para baixo o bastidor superior. Faça isso nos lados direito e esquerdo.



7 Verifique se a linha central do boné está alinhada com as projeções e a abertura em V do centro da base de montagem.

Verifique pressionando ligeiramente o lado externo do boné com sua mão.

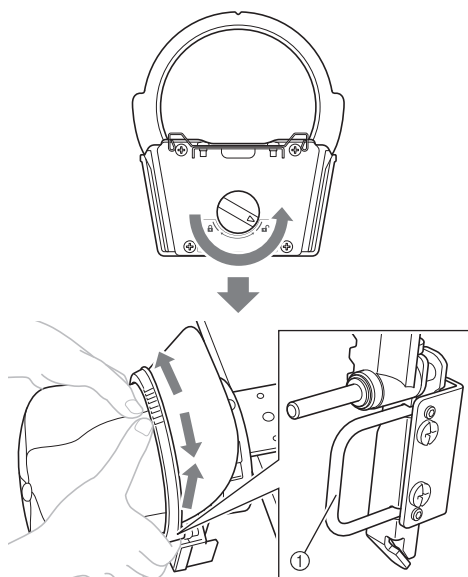


- ① Projeções
- ② Abertura em V

Lembrete

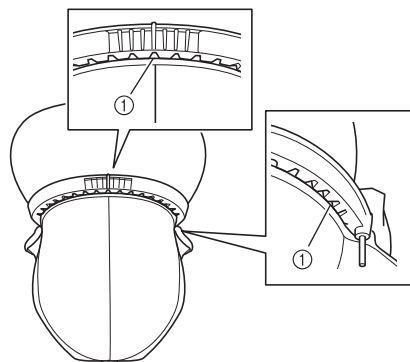
Se a linha central do boné não estiver alinhada com as projeções e abertura em V:

1. Coloque o botão de trava do bastidor inferior na posição desbloqueado.
2. Segure nas alças do bastidor superior e puxe o bastidor para cima. Em seguida, reposicione-o de modo que fique uniforme nos lados direito e esquerdo.
3. Coloque o botão de trava do bastidor inferior na posição bloqueado novamente.
4. Realize os passos 6 a 7 novamente.



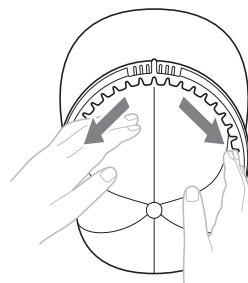
- ① Alça

8 Verifique se os dentes do centro e dos lados direito e esquerdo do bastidor superior estão encaixados na base da aba do boné.

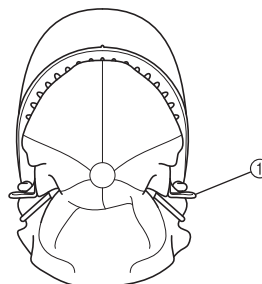


- ① Base da aba do boné

9 Puxe o tecido do boné para fora a partir do centro para remover as folgas.



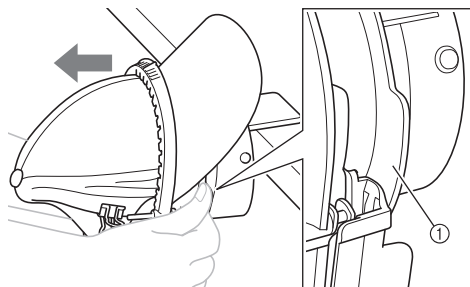
10 Use as presilhas para prender o boné.



- ① Presilha
- Para obter detalhes sobre as áreas a serem presas com as presilhas, consulte o passo 1 em “Removendo do bastidor inferior o bastidor superior do bastidor de boné” na página 7.
- Repita os passos 9 e 10 no outro lado para remover qualquer folga e prenda o tecido com as presilhas.

11 Remova o bastidor de boné da base de montagem.

Segure nas alças de ambos os lados do bastidor de boné e retire o bastidor conforme ilustrado. Talvez seja mais fácil remover o bastidor se aplicar força em uma das alças de cada vez.



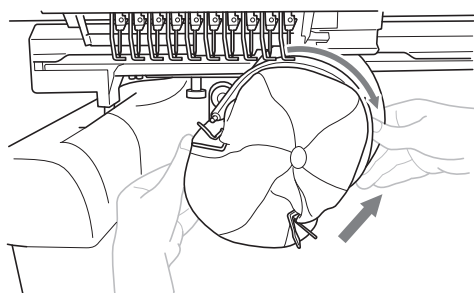
① Alça

■ Instalando o bastidor de boné na máquina de bordar

O acionador do bastidor de boné é necessário para fixar o bastidor de boné na máquina de bordar. Antes de fixar o bastidor de boné na máquina, instale o acionador do bastidor de boné no carro.

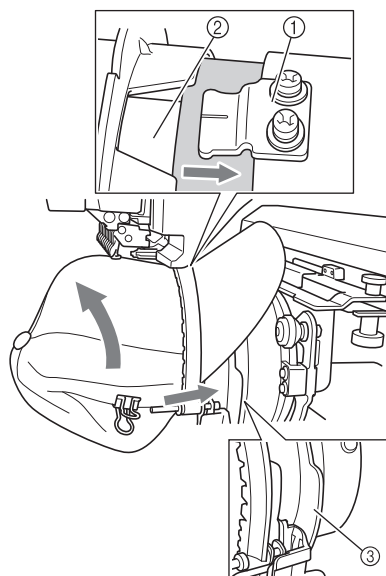
1 Instale o bastidor de boné no acionador do bastidor de boné.

Conforme ilustrado, ao inserir o bastidor de boné, gire a área de bordado para o lado de modo que a aba do boné não se choque com a máquina de bordar.



- Tenha o cuidado de não deixar o bastidor de boné esbarrar nas peças adjacentes, tais como o calcador.

Depois de girar o bastidor de boné, deixando as áreas de bordado voltadas para cima, alinhe o anel do acionador do bastidor de boné com o anel do bastidor do boné. Enquanto desliza o bastidor de boné para a esquerda e para a direita, alinhe a abertura do bastidor de boné com a placa guia do acionador do bastidor de boné. Em seguida, segure nas alças de ambos os lados do bastidor de boné e empurre o bastidor até que ele se encaixe no lugar certo.

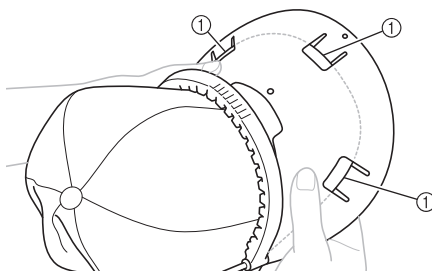


- ① Placa guia do acionador do bastidor de boné
- ② Abertura do bastidor de boné
- ③ Alça

► O bastidor de boné é fixado com três presilhas. Isso conclui a instalação do bastidor de boné.

2 Fixe o protetor de aba à aba do boné.

Posicione os três retentores (do centro, da esquerda e da direita) do protetor de aba sob a aba do boné e alinhe perfeitamente o protetor de aba com o bastidor superior.



- ① Retentores do protetor de aba
- Fixar o protetor de aba evita que a aba do boné fricção contra a máquina e se danifique durante a costura.
- Se houver espaço o suficiente entre a aba do boné e a máquina, talvez seja possível costurar sem o protetor de aba.

🔔 OBSERVAÇÃO

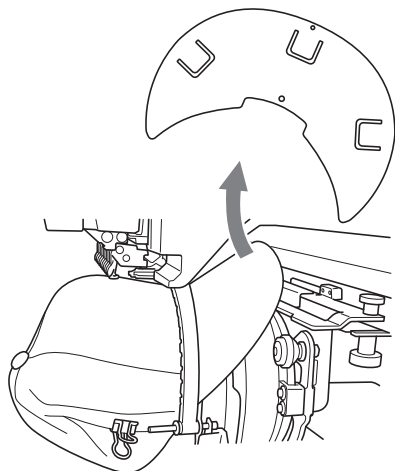
- Antes da costura, verifique a área de bordado e confirme se a aba não interferirá na máquina. Para obter detalhes sobre como verificar a área de bordado, consulte o Manual de Operações da máquina.
- Se a aba do boné interferir na máquina, o bastidor superior pode não ser pressionado para baixo com firmeza. Consulte a "Observação" no passo 6 de "Fixe o boné ao bastidor de boné" na página 8, e pressione para baixo o bastidor superior no bastidor inferior com firmeza.

▶ O boné está pronto para ser bordado.

■ Removendo o bastidor de boné

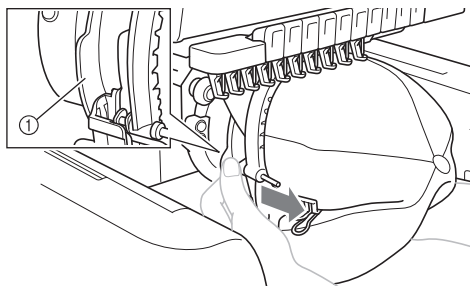
Depois de concluir o bordado, remova o bastidor de boné e retire o boné.

1 Remova o protetor de aba da aba do boné.



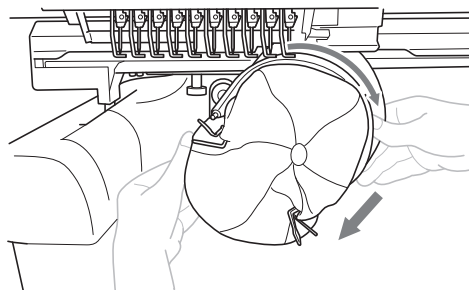
2 Remova o bastidor de boné do acionador do bastidor de boné.

Segure nas alças de ambos os lados do bastidor de boné e retire o bastidor conforme ilustrado. Talvez seja mais fácil remover o bastidor se aplicar força em uma das alças de cada vez.



① Alça

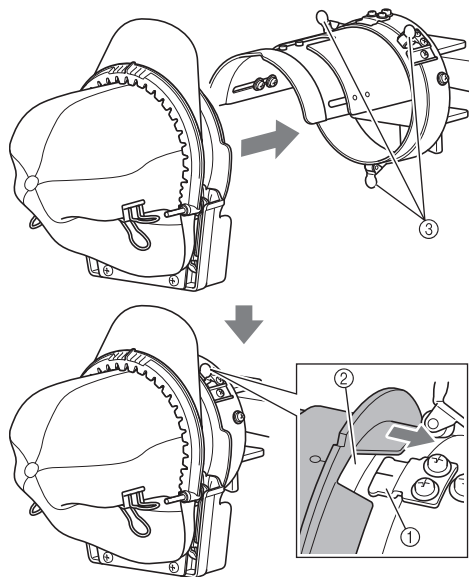
Conforme ilustrado, gire a área de bordado para o lado ao remover o bastidor de boné de modo que a aba do boné não atinja a máquina de bordar.



- Tenha o cuidado de não deixar o bastidor de boné esbarrar nas peças adjacentes, tais como o calcador.

3 Instale o bastidor de boné na base de montagem.

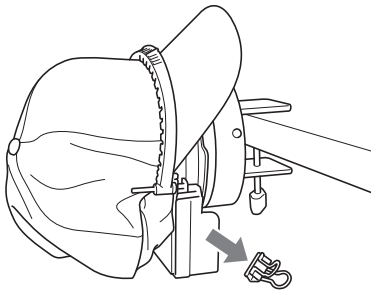
Ao posicionar o bastidor inferior do bastidor de boné, alinhe a abertura do bastidor inferior com a placa guia do centro da base de montagem.



- ① Placa guia da base de montagem
- ② Abertura do bastidor inferior
- ③ Presilhas

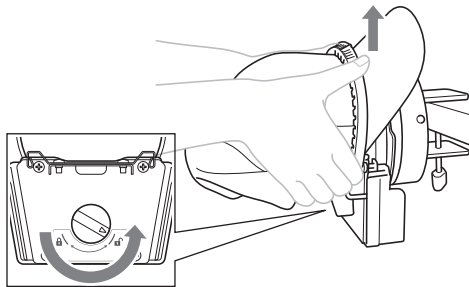
▶ O bastidor de boné é fixado com três presilhas.

4 Remova as presilhas do boné.

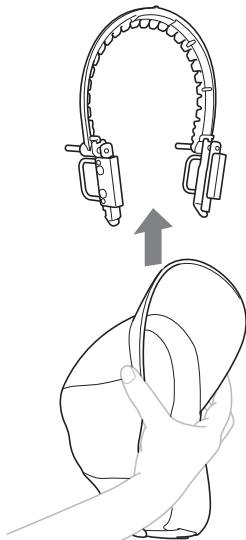


5 Coloque o botão de trava do bastidor inferior na posição desbloqueado e, em seguida, remova o bastidor superior do bastidor inferior.

Segure nas alças do bastidor superior e remova o bastidor.



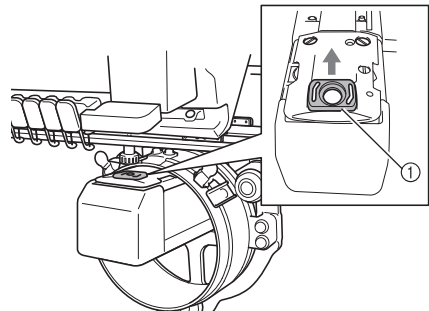
6 Aperte ligeiramente a aba do boné e remova o bastidor superior do boné.



Instalando o suporte do bastidor de bordar

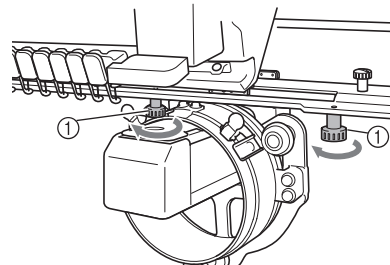
Depois de concluir o bordado utilizando o bastidor de boné, remova o espaçador da chapa da agulha e o acionador do bastidor de boné e reinstale o suporte do bastidor de bordar.

1 Remova o espaçador da chapa da agulha.



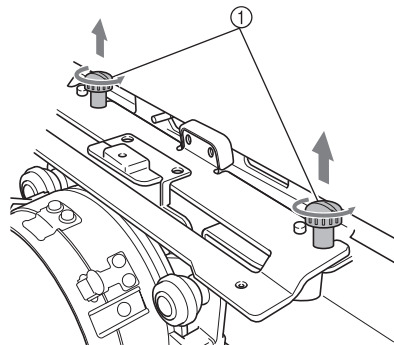
① Espaçador da chapa de agulha

2 Desaperte os dois parafusos de aperto manual inferiores.



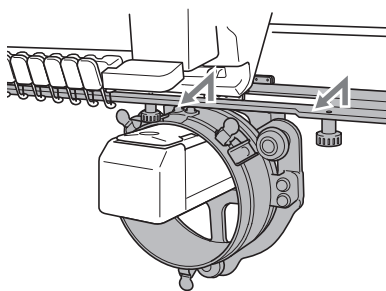
① Parafusos de aperto manual

3 Remova os dois parafusos de aperto manual superiores.



① Parafusos de aperto manual

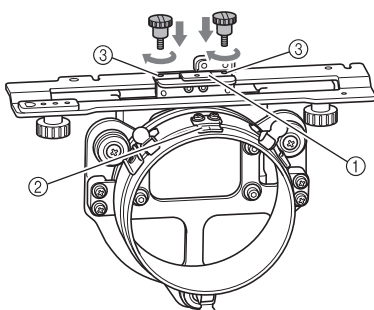
4 Remova o acionador do bastidor de boné.



OBSERVAÇÃO

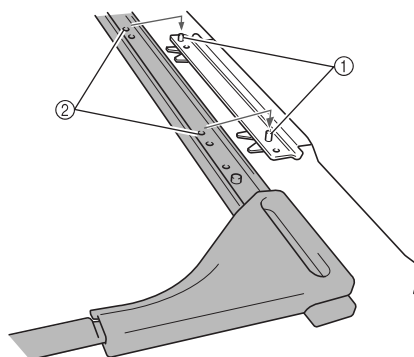
- Tenha o cuidado de não deixar o acionador do bastidor de boné esbarrar nas peças adjacentes, tais como o calcador.

5 Com o orifício do suporte da faixa antitranspiração do boné do acionador do bastidor de boné alinhado com a linha central da placa guia central, insira os dois parafusos de aperto manual removidos no passo 3 nos orifícios existentes no topo e, em seguida, aperte os parafusos de aperto manual.



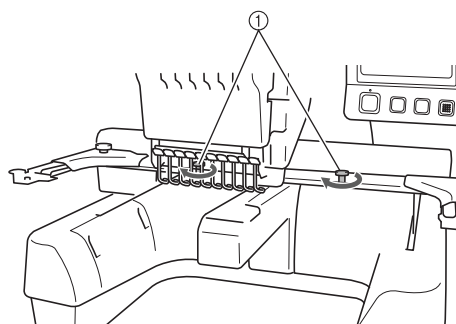
- ① Orifício do suporte da faixa antitranspiração do boné
- ② Linha central da placa guia
- ③ Orifícios no topo
- Insira os parafusos de aperto manual nos orifícios onde o acionador do bastidor de boné estava inserido originalmente.
- ▶ A seção móvel do acionador do bastidor de boné é fixada.

6 Alinhe os orifícios do suporte do bastidor de bordar com os pinos da placa de montagem do bastidor do carro. Em seguida, fixe o suporte do bastidor de bordar com os dois parafusos de aperto manual.



- ① Pinos existentes na placa de montagem do bastidor do carro
- ② Orifícios do suporte do bastidor de bordar

7 Fixe o suporte do bastidor com os dois parafusos de aperto manual.



- ① Use os parafusos de aperto manual fornecidos com a máquina.

! CUIDADO

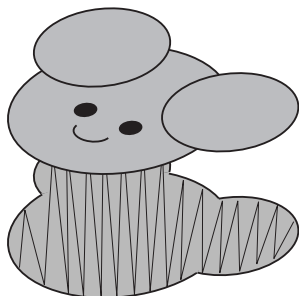


- Aperte firmemente os parafusos de aperto manual.

Informações adicionais para digitalização

Ao criar um padrão para bordar em um bastidor de boné, preste atenção aos seguintes pontos para evitar problemas de registro (desalinhamento ou espaços abertos no padrão).

1 Costure pontos de reforço.



2 Inicie a partir do centro do padrão de bordado e costure até às pontas.

Nesta máquina, a ordem em que os padrões serão selecionados quando forem combinados será a ordem em que eles serão costurados. No exemplo a seguir, selecione os padrões na ordem "E" → "A" → "B" → "R" para criar o padrão combinado "BEAR".

BEAR

Ordem de bordado incorreta



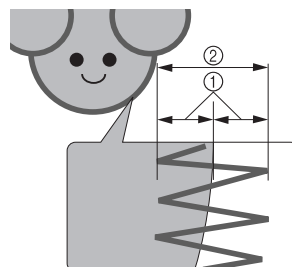
Ordem de bordado correta



🔍 OBSERVAÇÃO

- Não borde de uma extremidade à outra; caso contrário, o tecido poderá enrugur ou encolher.

- ### 3
- Ao costurar contornos dos padrões, verifique se a largura do ponto cheio é de pelo menos 2 mm, e se os pontos se sobrepõem ao tecido em pelo menos 1 mm. Além disso, verifique se não há saltos de pontos longos no contorno de cada região ou letra.

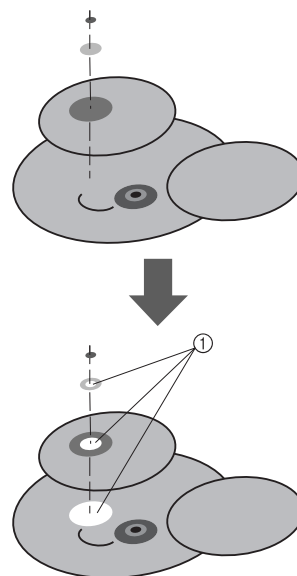


- ① Pelo menos 1 mm
- ② Pelo menos 2 mm

! CUIDADO



- Não costure mais do que quatro camadas sobrepostas.



- ① Especifique para que as áreas sobrepostas não sejam bordadas.



English
French
Spanish
Portuguese-BR



XH5063-001