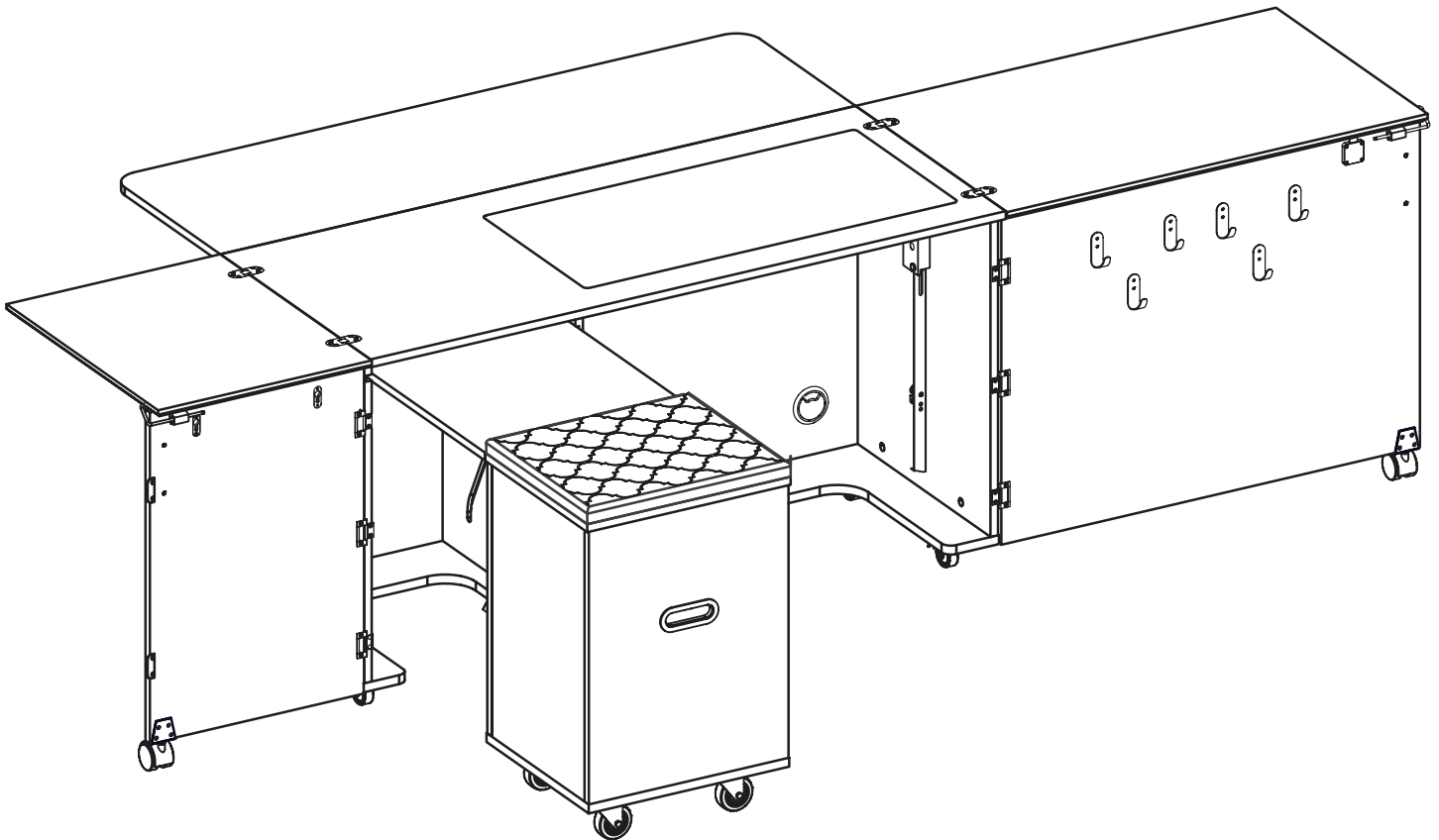




## ASSEMBLY INSTRUCTIONS

# Outback

<b>ITEM NO.:</b>	K9605EL	Teak Electric Lift	K9605XL	Teak Hydraulic Lift
	K9607EL	Gray Electric Lift	K9607XL	Gray Hydraulic Lift
	K9611EL	Ash White Electric Lift	K9611XL	Ash White Hydraulic Lift



# General Assembly Guidelines

1. Read the instructions carefully before beginning the assembly process to ensure proper assembly of this product. Please open and inspect the contents of box(es) to see that all parts and hardware are included.

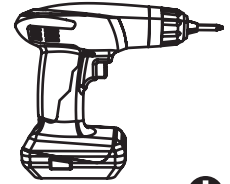
## 2. Tools Required



Phillips Screwdriver ⊕

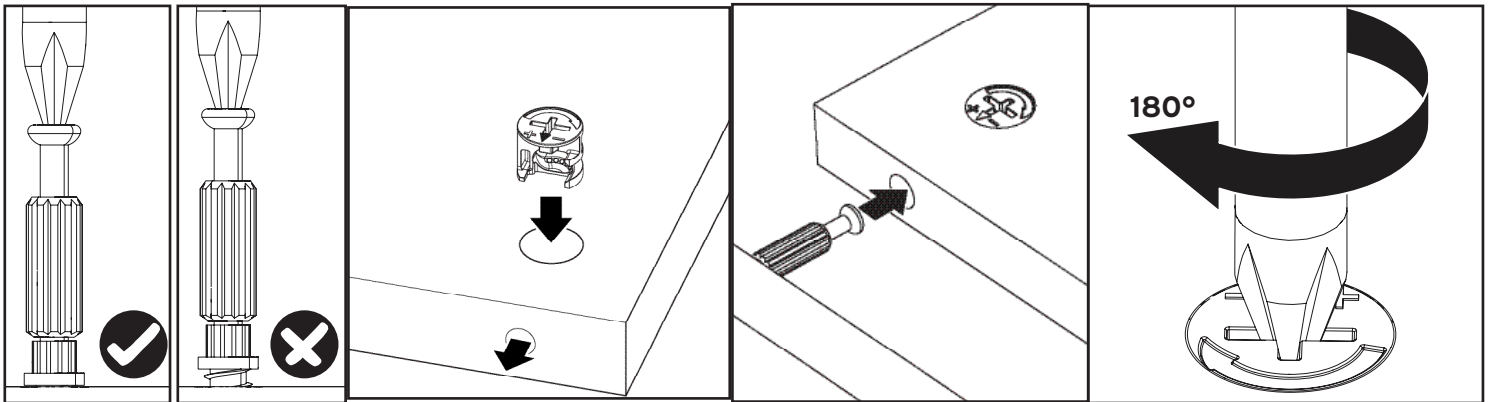


Hammer



Electric Screwdriver ⊕  
Torque set to 3-5

## 3. Understanding How the Cam Fastener Works



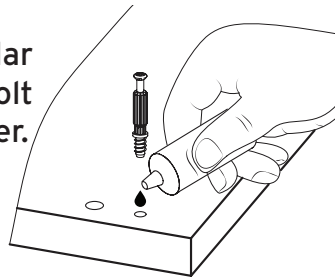
Screw cam bolts flush as illustrated.

Press cam into hole until flush with surface. The arrow direction must be in the direction of the hole.

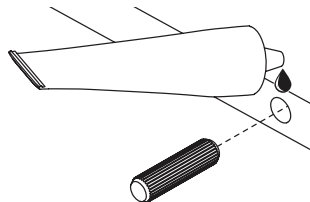
Insert bolt through pre-drilled hole in edge of panel.

Turn clockwise to lock cam with bolt.

**Tip:** place a small bit of WD-40 or similar lubricant into the pre-installed cam bolt holes to help the cam bolts screw in better.



4. **Glue** provided is to secure wood dowels in place and is optional. If glue is used during assembly, locate the appropriate hole for the dowel, place a small amount of glue in the hole and insert the dowel. Wipe away excess glue immediately. It is not necessary to glue the other end of the dowel when attaching to other parts.

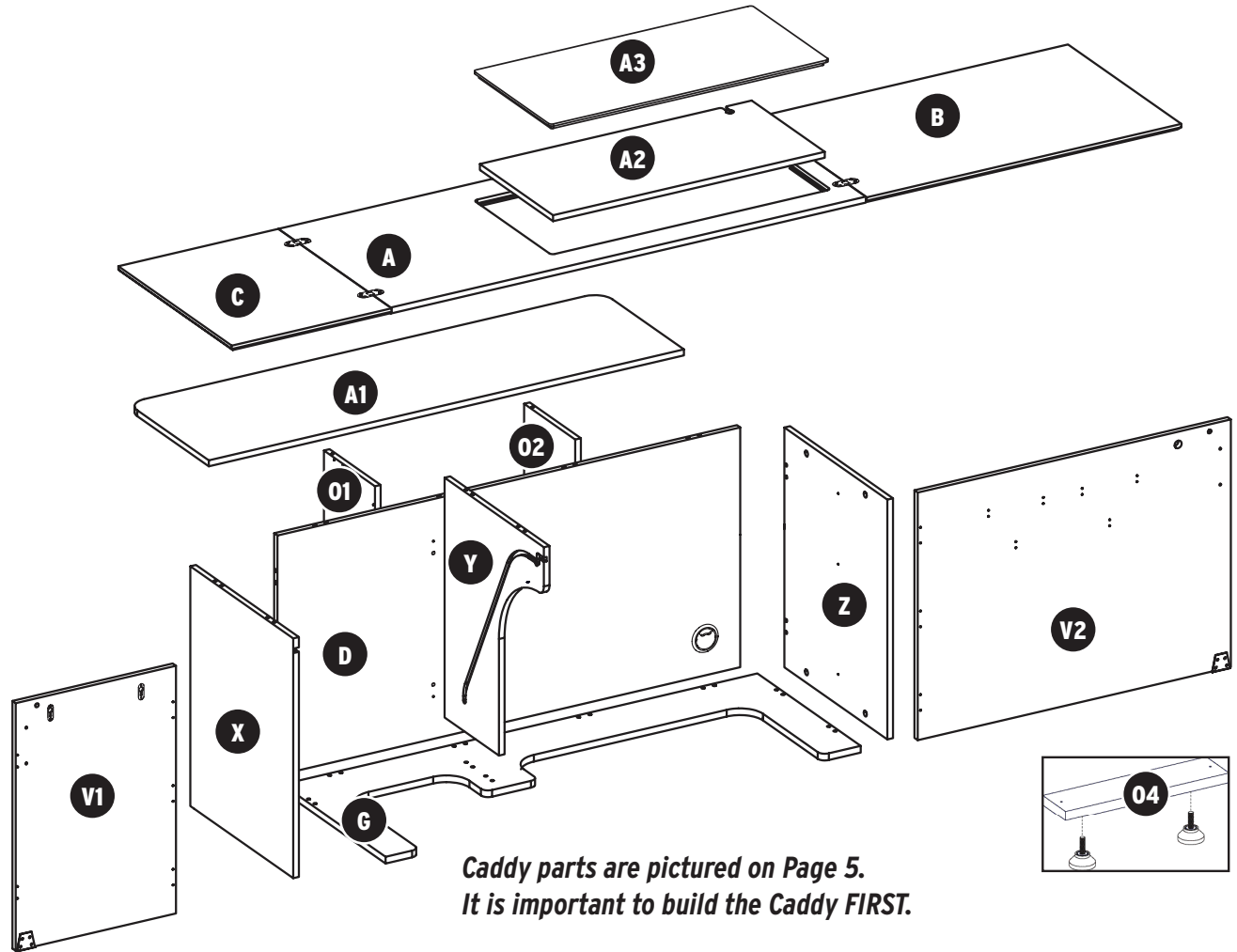


**Use and Care** Your cabinet normally requires a minimum amount of maintenance; however, the following points are worth noting:

**Cleaning** - To remove marks and enhance the surface, wipe with a gentle all-purpose cleanser. **DO NOT** use ammonia-based, harsh chemicals or abrasive cleaning agents. Wipe dry immediately.

**Electric and Hydraulic Lifts** - Require annual lubrication with WD-40 or similar lubricant.

# Parts List: Panels

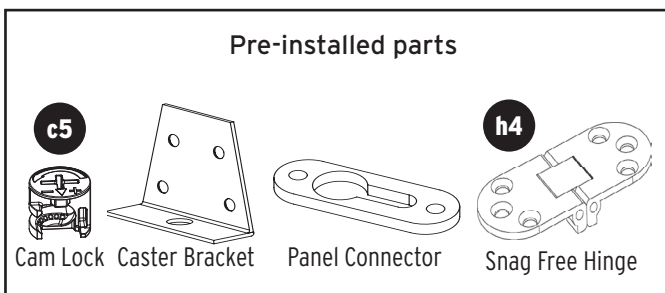
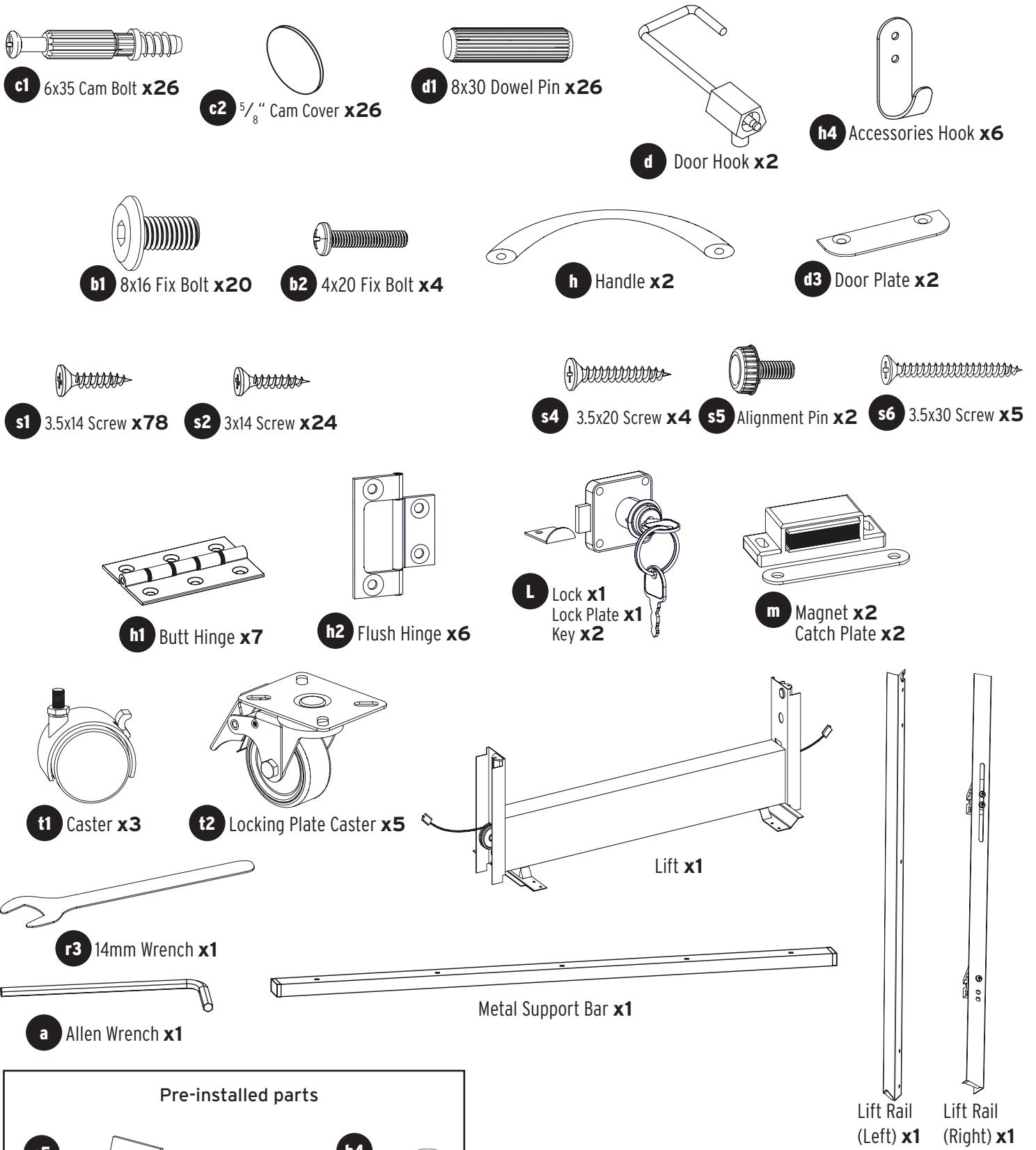


**Caddy parts are pictured on Page 5.  
It is important to build the Caddy FIRST.**

ITEM	DESCRIPTION	QTY.	PACK	ITEM	DESCRIPTION	QTY.	PACK.
	Main Cabinet Hardware Box	1	1 of 5	<b>D1</b>	Caddy Back Panel	1	4 of 5
<b>X</b>	Left Panel	1	1 of 5	<b>X1</b>	Caddy Left Side	1	4 of 5
<b>Z</b>	Right Panel	1	1 of 5	<b>Z1</b>	Caddy Right Side	1	4 of 5
<b>O1</b>	Left Gate Leg Panel	1	1 of 5	<b>O3</b>	Caddy Thread Spool Holder Board	2	4 of 5
<b>O2</b>	Right Gate Leg Panel	1	1 of 5	<b>L</b>	Caddy Small Drawer Front	2	4 of 5
<b>Y</b>	Center Panel	1	1 of 5	<b>L1</b>	Caddy Small Drawer Left Side	2	4 of 5
<b>O4*</b>	Support Foot for Electric Lift Only	1	1 of 5	<b>L2</b>	Caddy Small Drawer Right Side	2	4 of 5
<b>V1</b>	Left Door Panel	1	2 of 5	<b>L3</b>	Caddy Small Drawer Back	2	4 of 5
<b>V2</b>	Right Door Panel	1	2 of 5	<b>L4</b>	Caddy Drawer Bottom	3	4 of 5
<b>D</b>	Back Panel	1	2 of 5	<b>I</b>	Ironing Board Panel	1	4 of 5
<b>A2</b>	Lift Panel	1	2 of 5	<b>K</b>	Caddy Large Drawer Front	1	4 of 5
<b>A/B/C</b>	Top Panels	1	3 of 5	<b>K1</b>	Caddy Large Drawer Left Side	1	4 of 5
<b>A3</b>	Platform Cover Panel	1	3 of 5	<b>K2</b>	Caddy Large Drawer Right Side	1	4 of 5
	Caddy Hardware Box	1	4 of 5	<b>K3</b>	Caddy Large Drawer Back	1	4 of 5
<b>A4/A5</b>	Caddy Top Panels	1	4 of 5	<b>A1</b>	Quilt Leaf	1	5 of 5
<b>G1</b>	Caddy Bottom Panel	1	4 of 5	<b>G</b>	Base	1	5 of 5
					Metal Rail	1	5 of 5

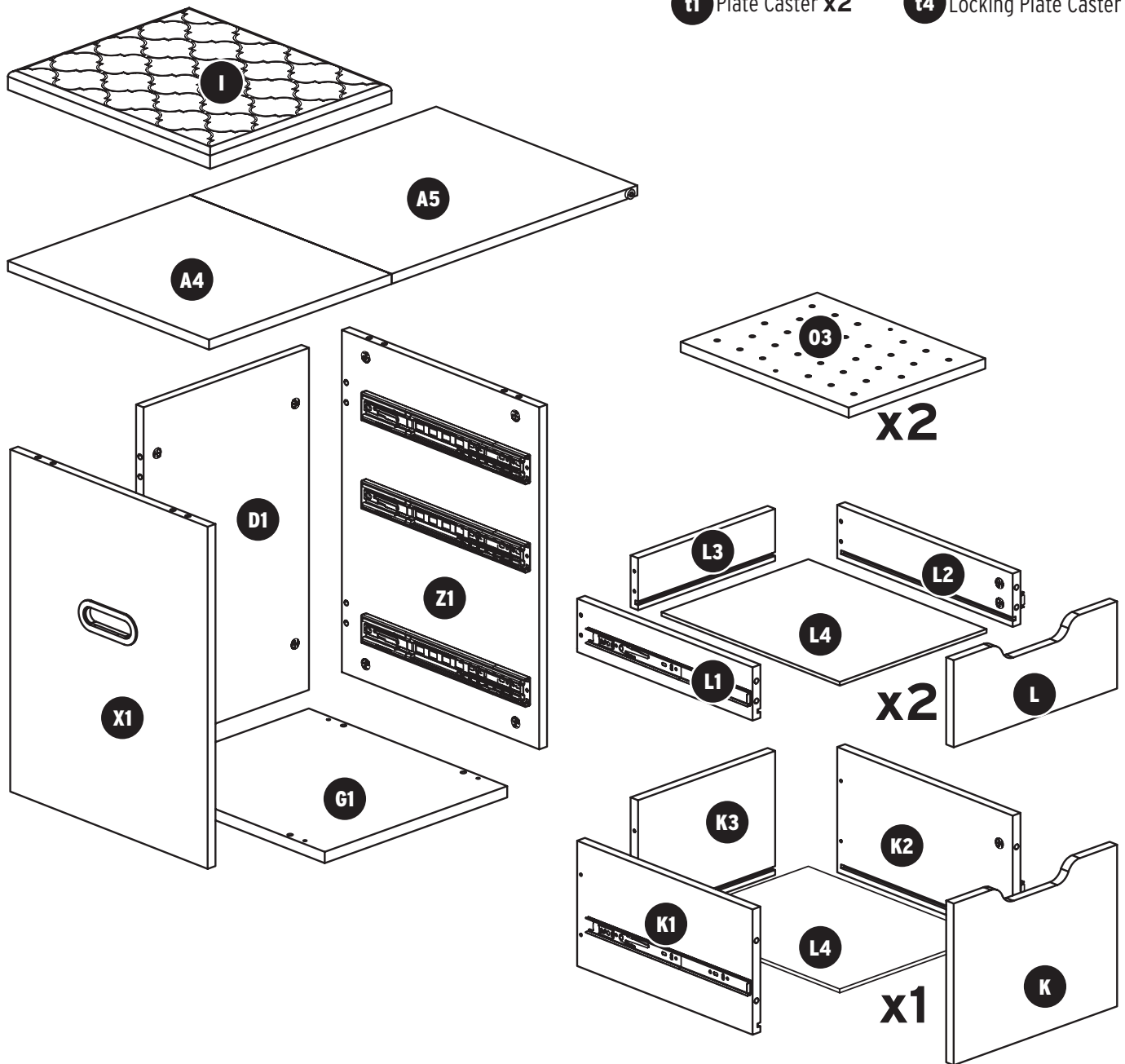
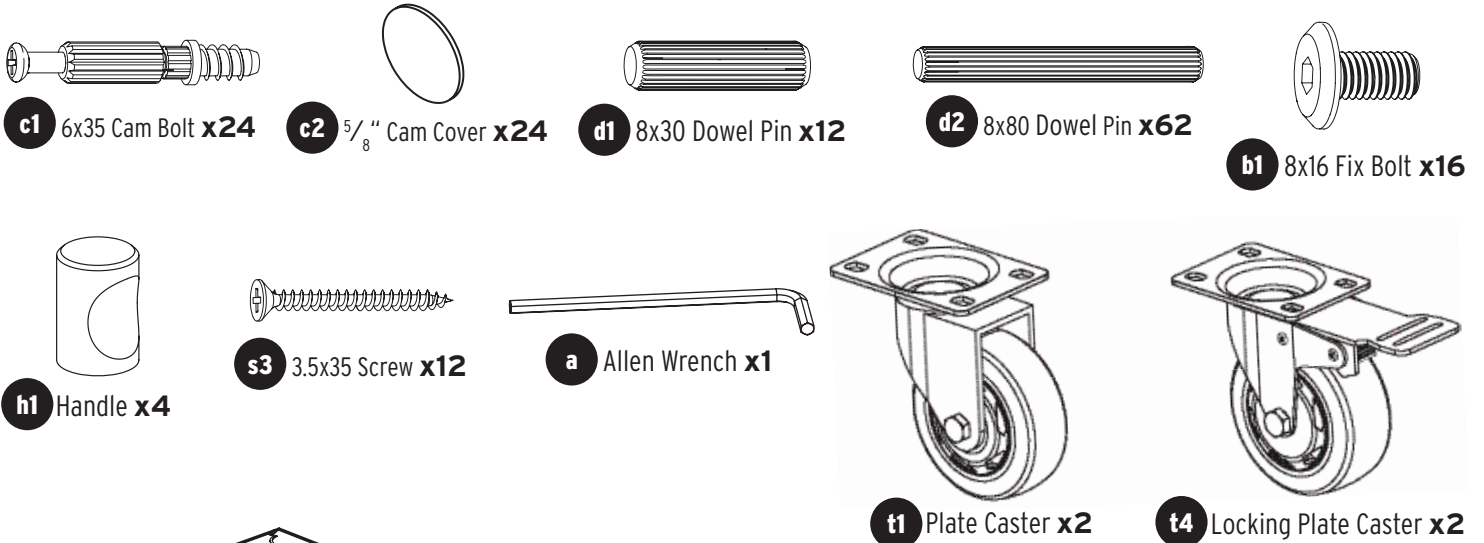
# Parts List: Hardware

**TIP: Keep all the parts in their individually labeled bags. This will make finding parts easier as you assemble your cabinet.**



**Caddy parts are pictured on Page 5.**

# Caddy Panel and Hardware List

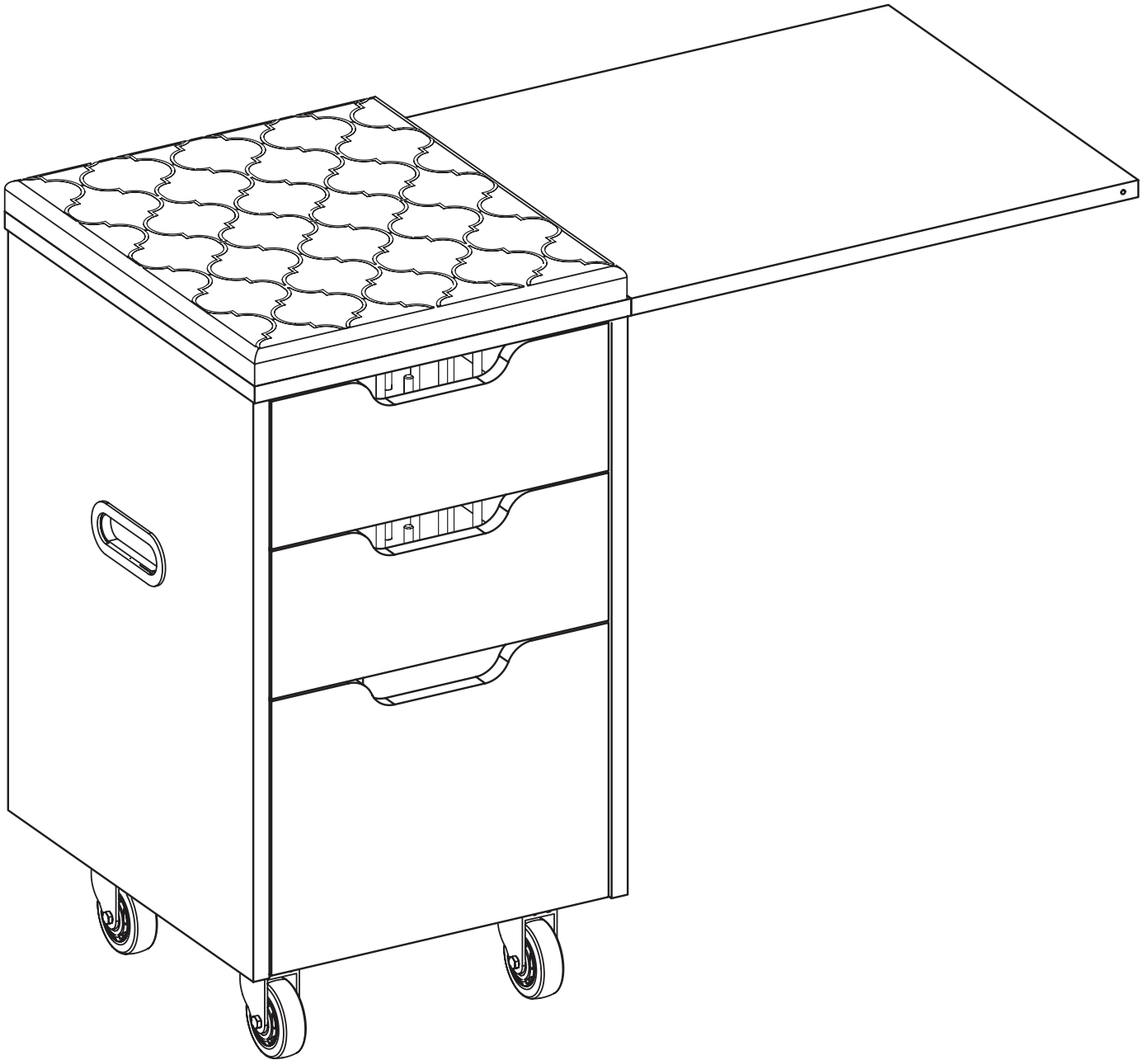


*Caddy panels are listed on Page 3.*

# Part 1: Caddy

We can't wait to get your brand new Outback Sewing Cabinet up and running! Please contact our Customer Service Team at 1-800-533-7347, ext. 1 during normal business hours with any assembly related questions.

You will find all parts and panels for the Caddy in Box 1. **It is important to build the caddy before building the main cabinet.**



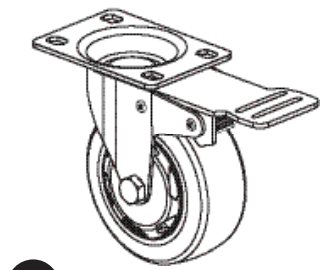
# Caddy Step 1: Base

## NOTE: Caster placement

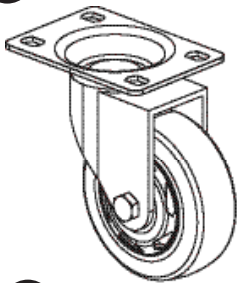
Locking Casters go to the front (drawer side) of the cabinet. The holes closest to the edge of the panel are approximately 6cm from the edge.

Attach **t1** and **t4** Casters with **b1** Bolts using **Allen Wrench** as illustrated.

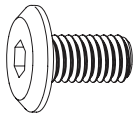
Lock casters and turn panel over.



**t4** Locking Plate Caster **x2**



**t1** Plate Caster **x2**



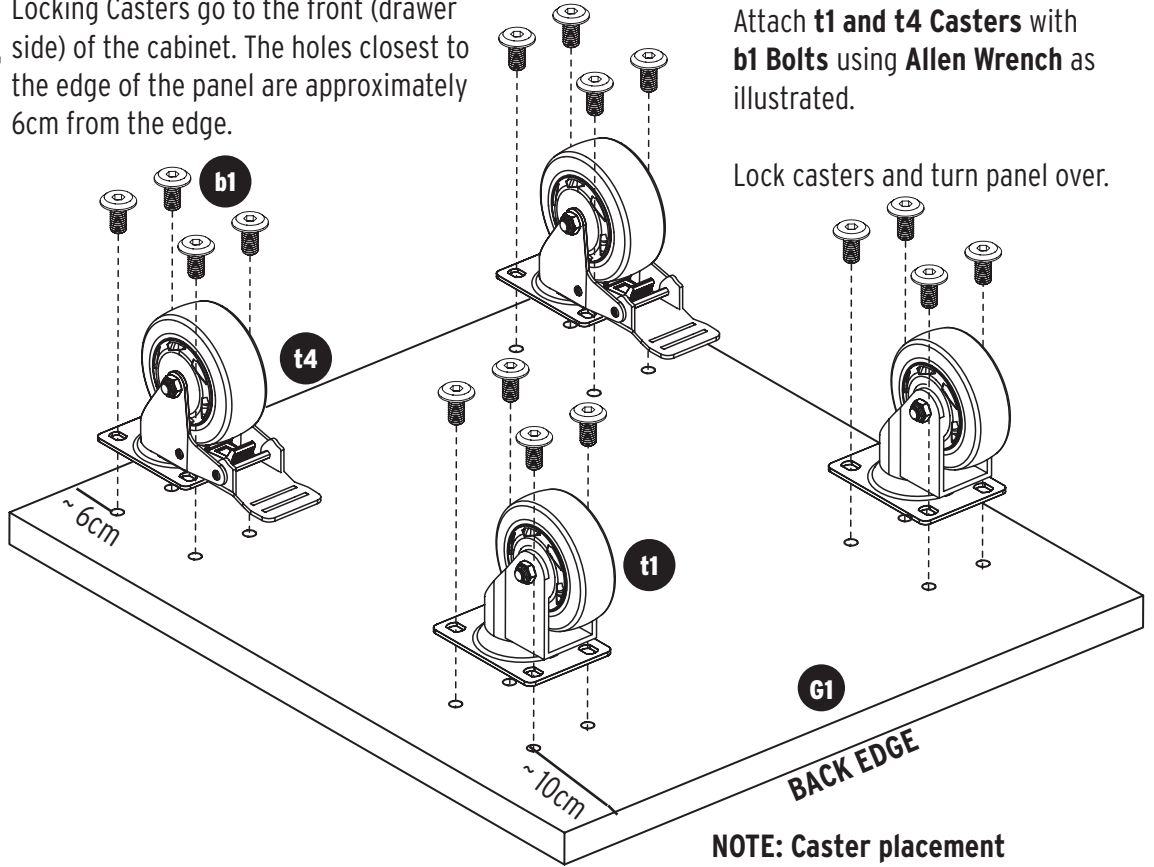
**b1** 8x16 Fix Bolt **x16**



**a** Allen Wrench **x1**



**c1** 6x35 Cam Bolt **x4**

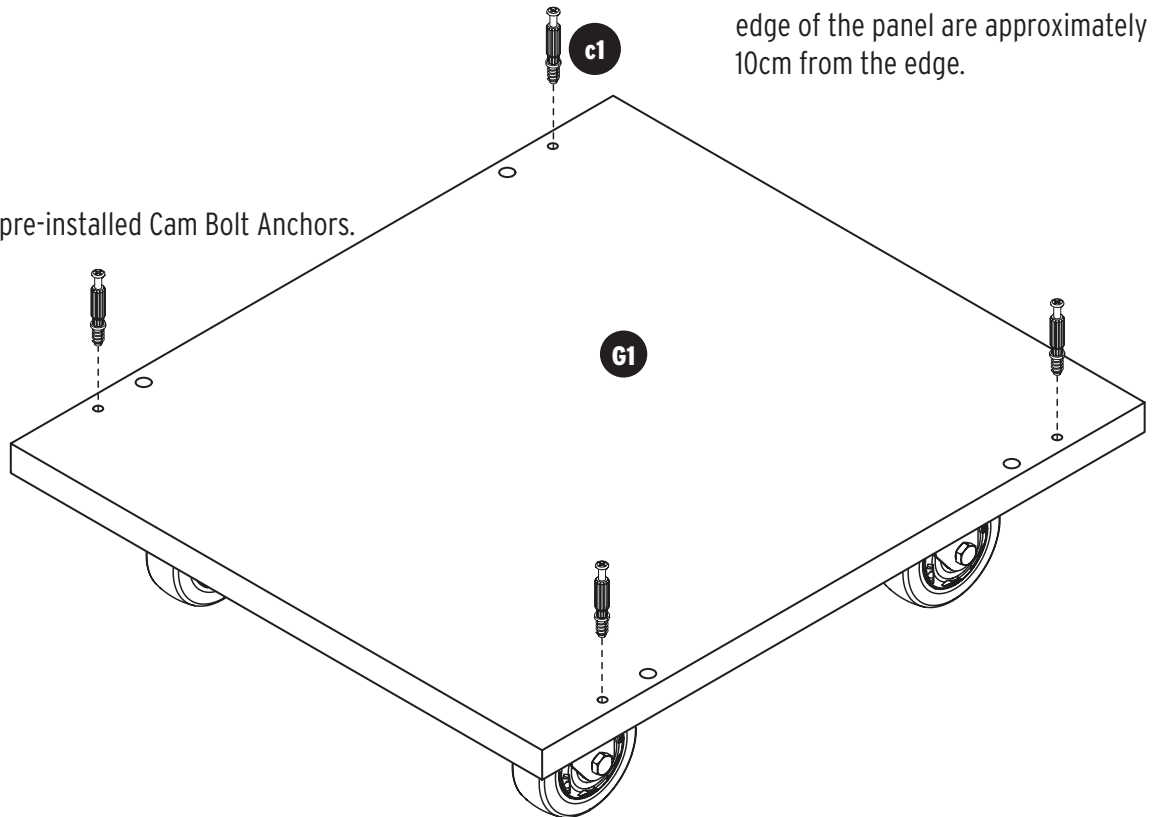


## NOTE: Caster placement

Non-locking Casters go to the back of the cabinet. The holes closest to the edge of the panel are approximately 10cm from the edge.

Insert **Cam Bolts** into pre-installed Cam Bolt Anchors.

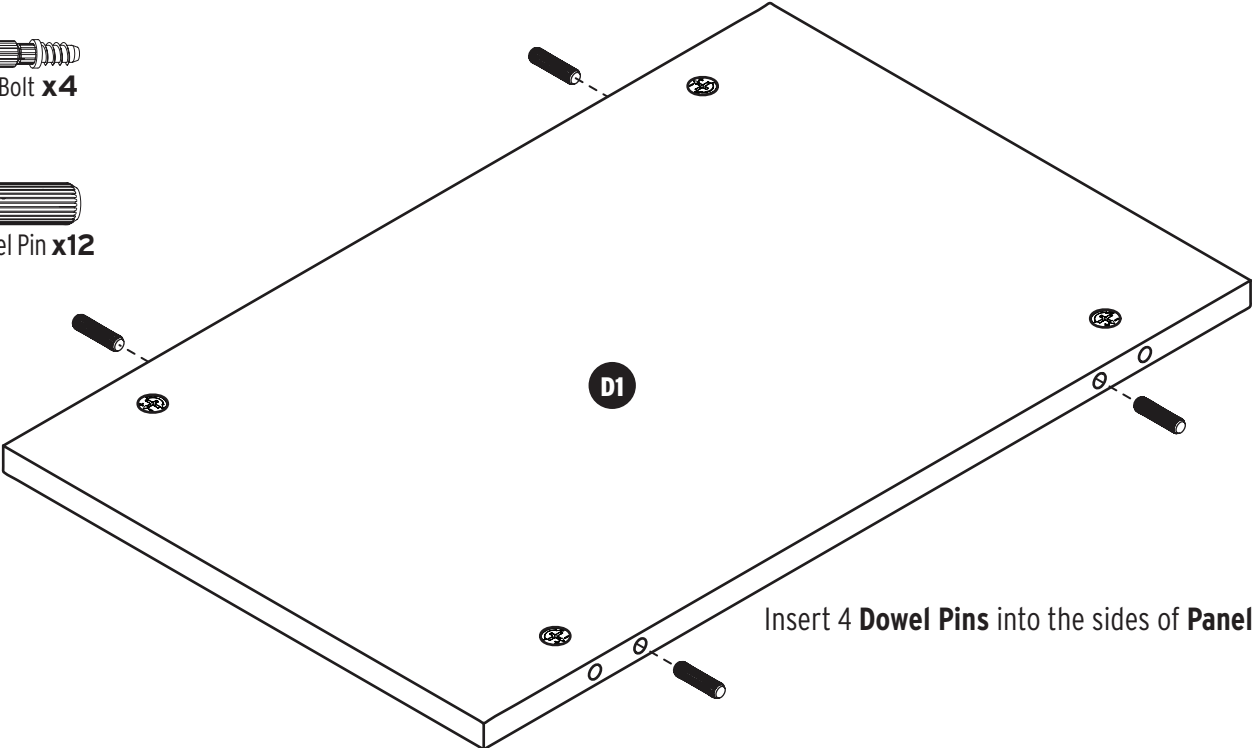
Set **Panel G1** aside.



# Caddy Step 2: Sides and Back

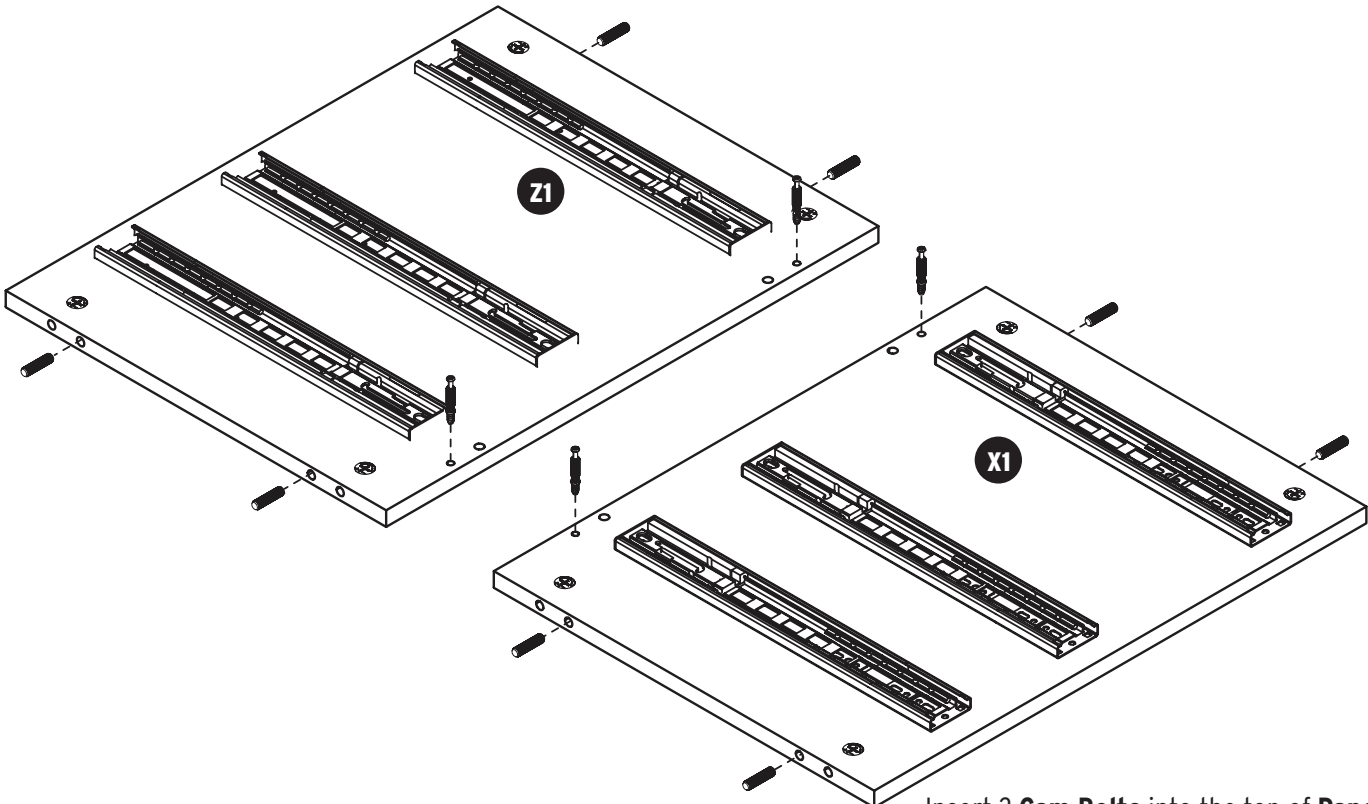
**c1** 6x35 Cam Bolt **x4**

**d1** 8x30 Dowel Pin **x12**



Insert 4 **Dowel Pins** into the sides of **Panel D1**.


Insert 2 **Cam Bolts** into the top of **Panel X1**  
Insert 4 **Dowel Pins** into the sides of **Panel X1**

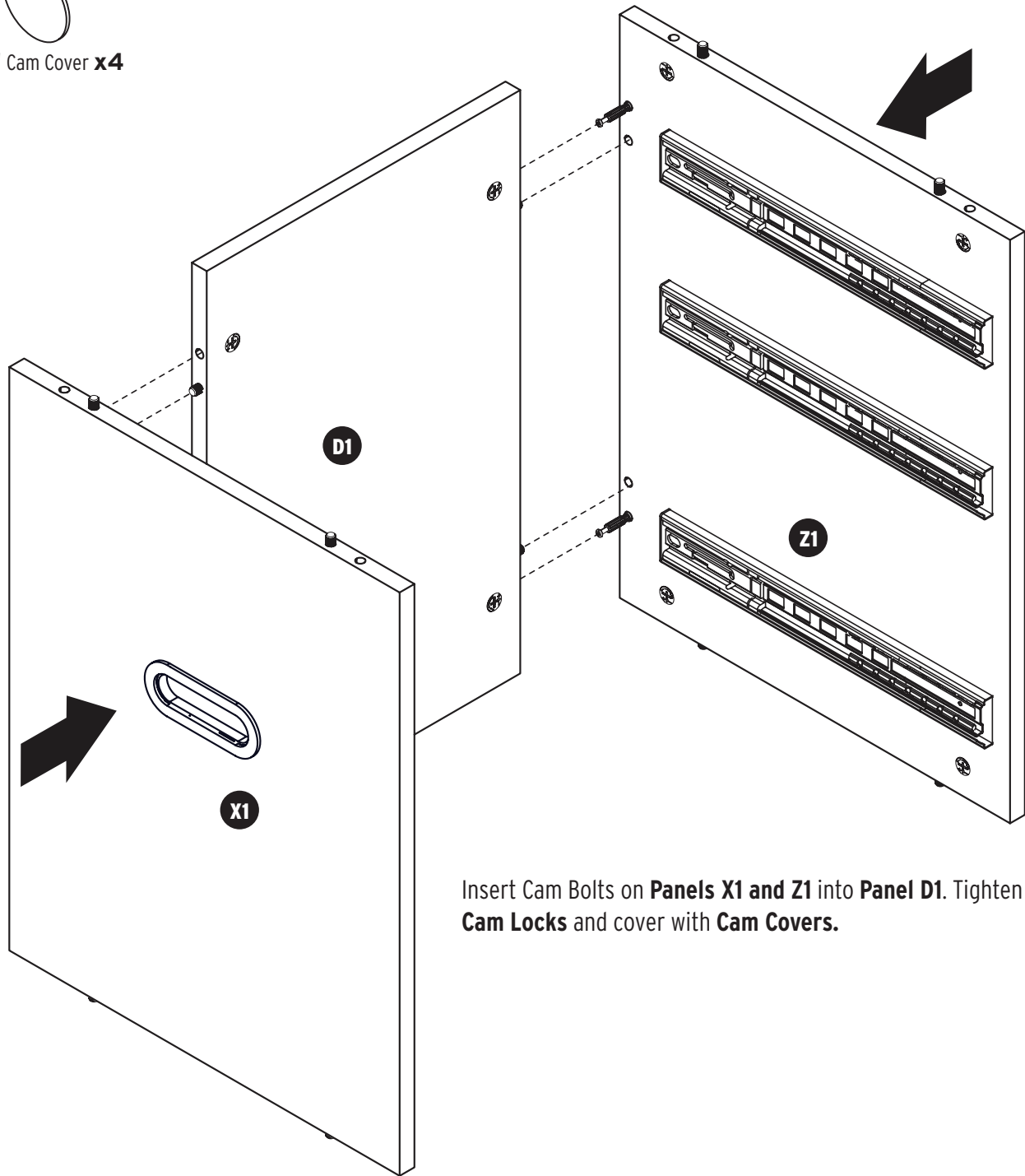


Insert 2 **Cam Bolts** into the top of **Panel Z1**  
Insert 4 **Dowel Pins** into the sides of **Panel Z1**




# Caddy Step 2: Sides and Back

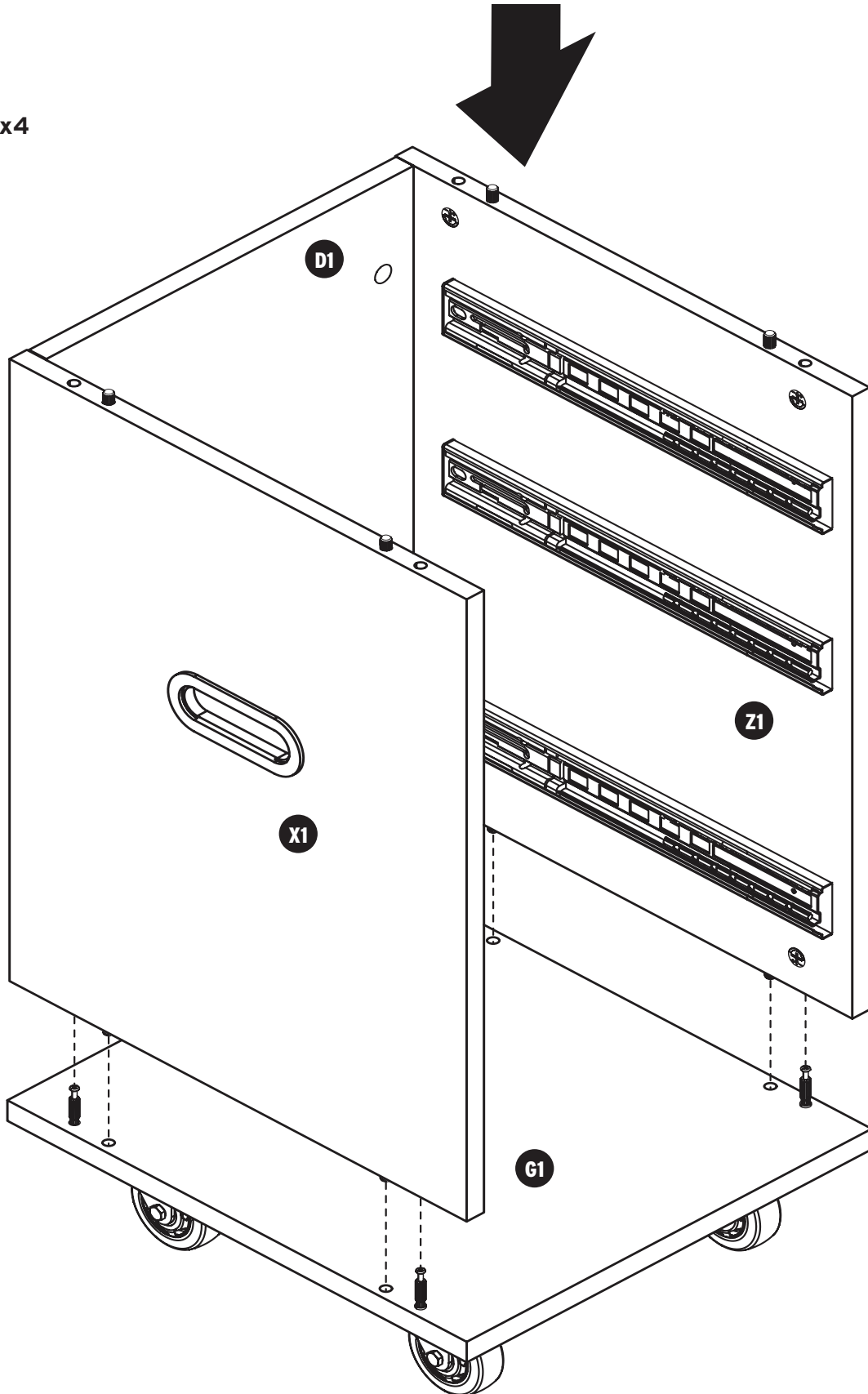
  
**c2**  $\frac{5}{8}$ " Cam Cover **x4**



Insert Cam Bolts on **Panels X1 and Z1** into **Panel D1**. Tighten **Cam Locks** and cover with **Cam Covers**.

# Caddy Step 3: Attaching the Base

  
c2  $\frac{5}{8}$ " Cam Cover x4



Attach **Panel G1** as shown. Tighten **Cam Locks** and cover with **Cam Covers**.

**NOTE:** Make sure the locking casters are at the front of the Caddy before attaching the sides and back.

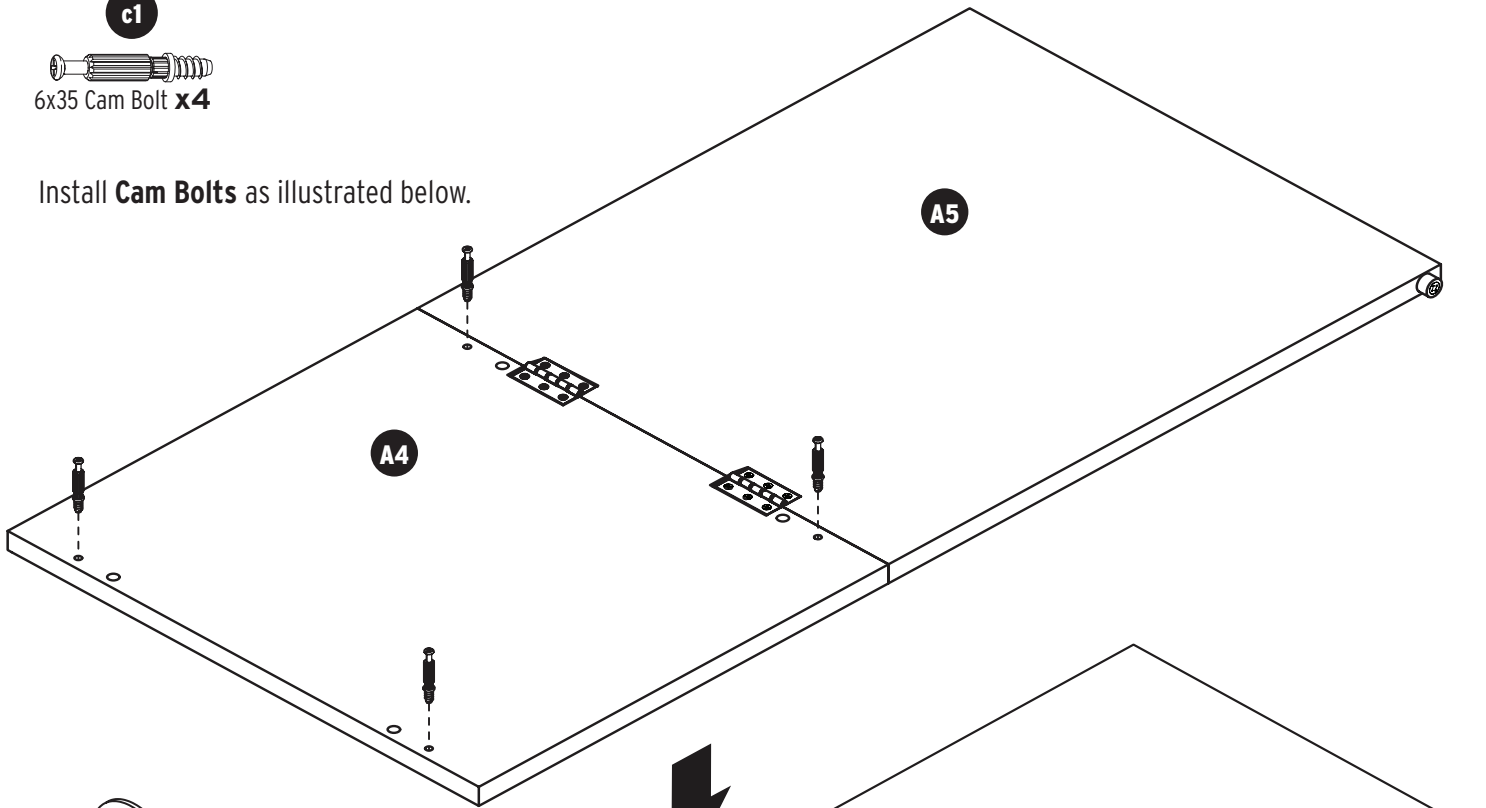
# Caddy Step 2: Top

**c1**



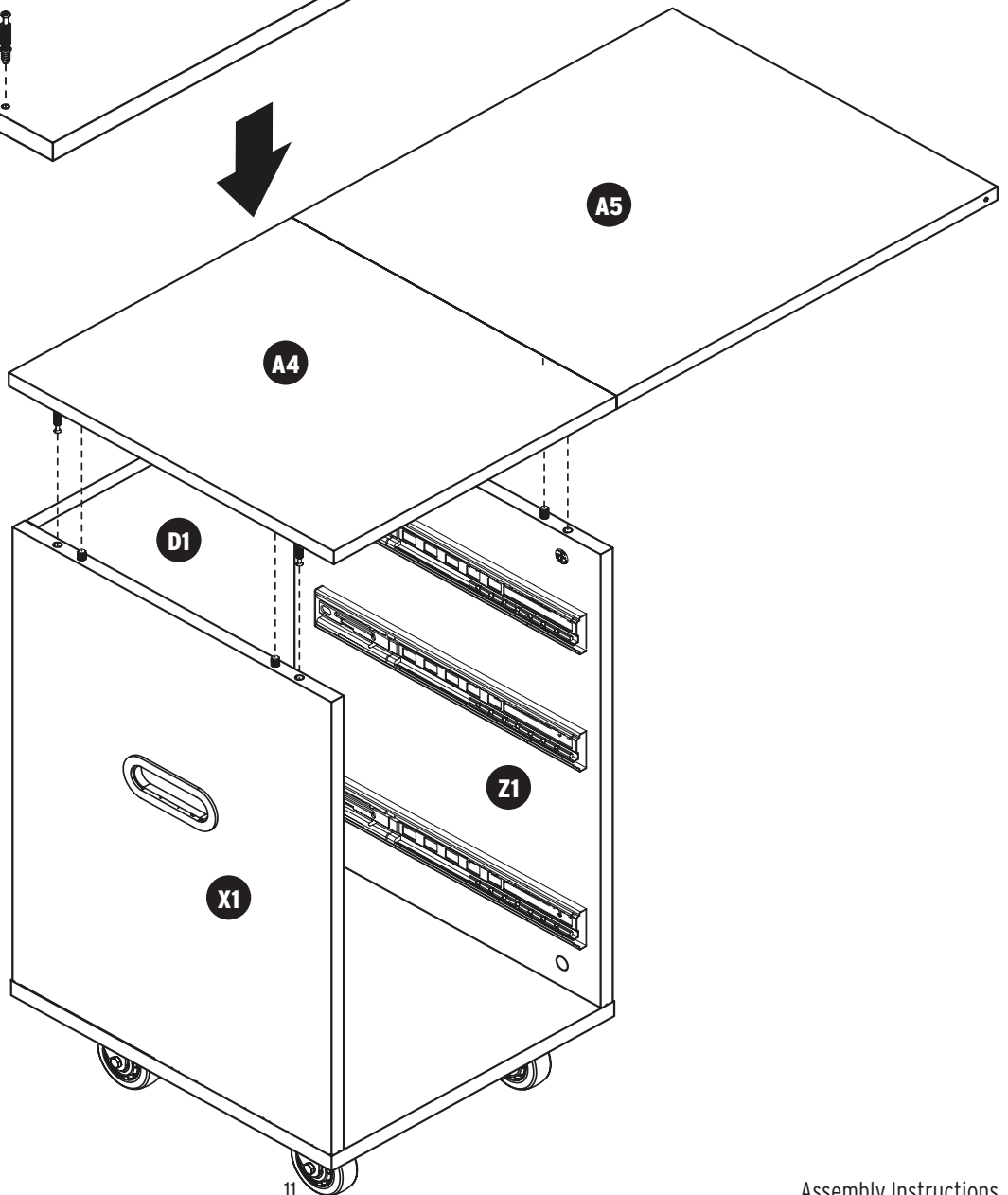
6x35 Cam Bolt **x4**

Install **Cam Bolts** as illustrated below.



**c2**  $\frac{5}{8}$ " Cam Cover **x4**

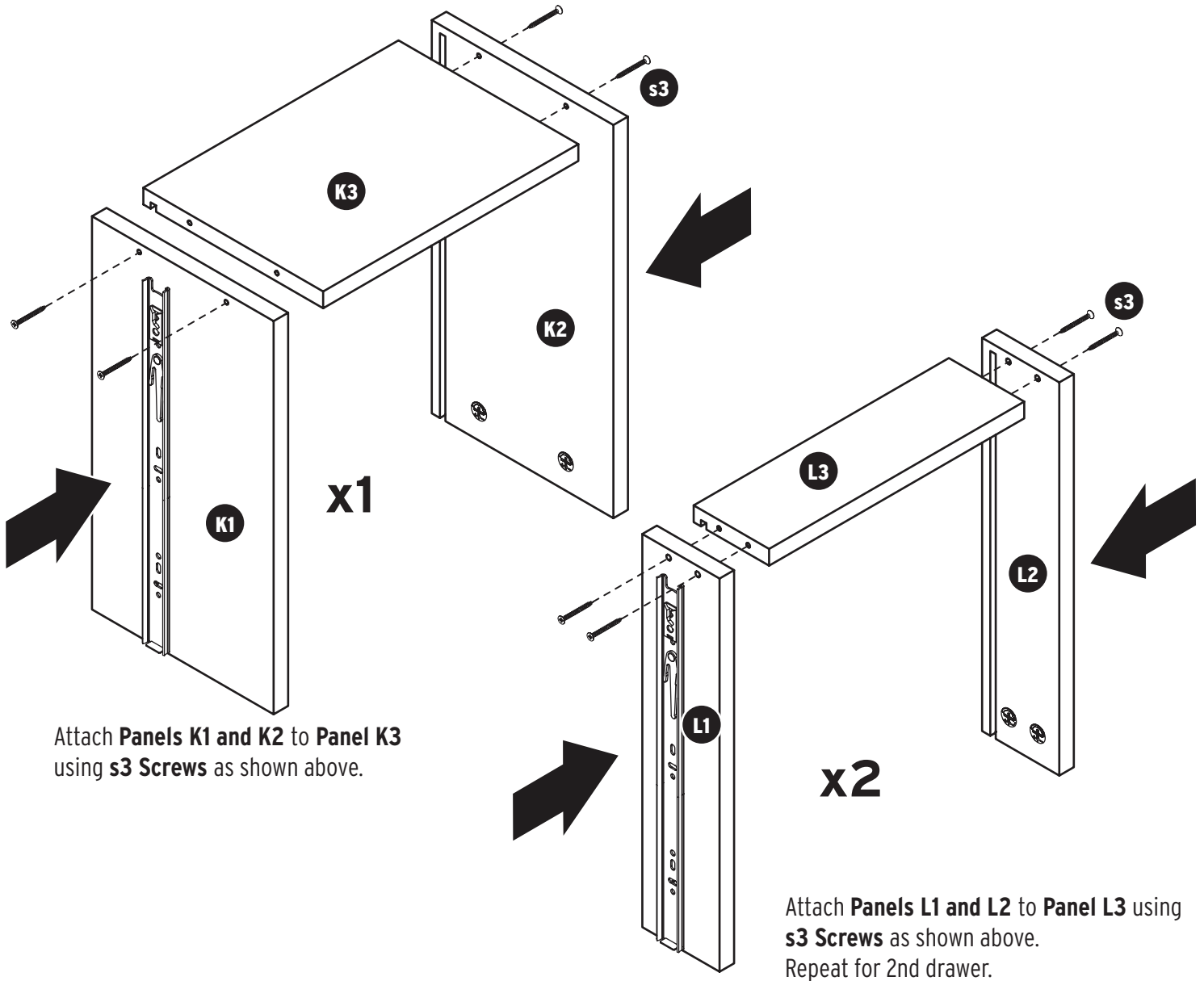
Lower **Panel A4/A5** onto **Panels D1, X1 and Z1** as shown. Tighten **Cam Locks** and apply **Cam Covers**.



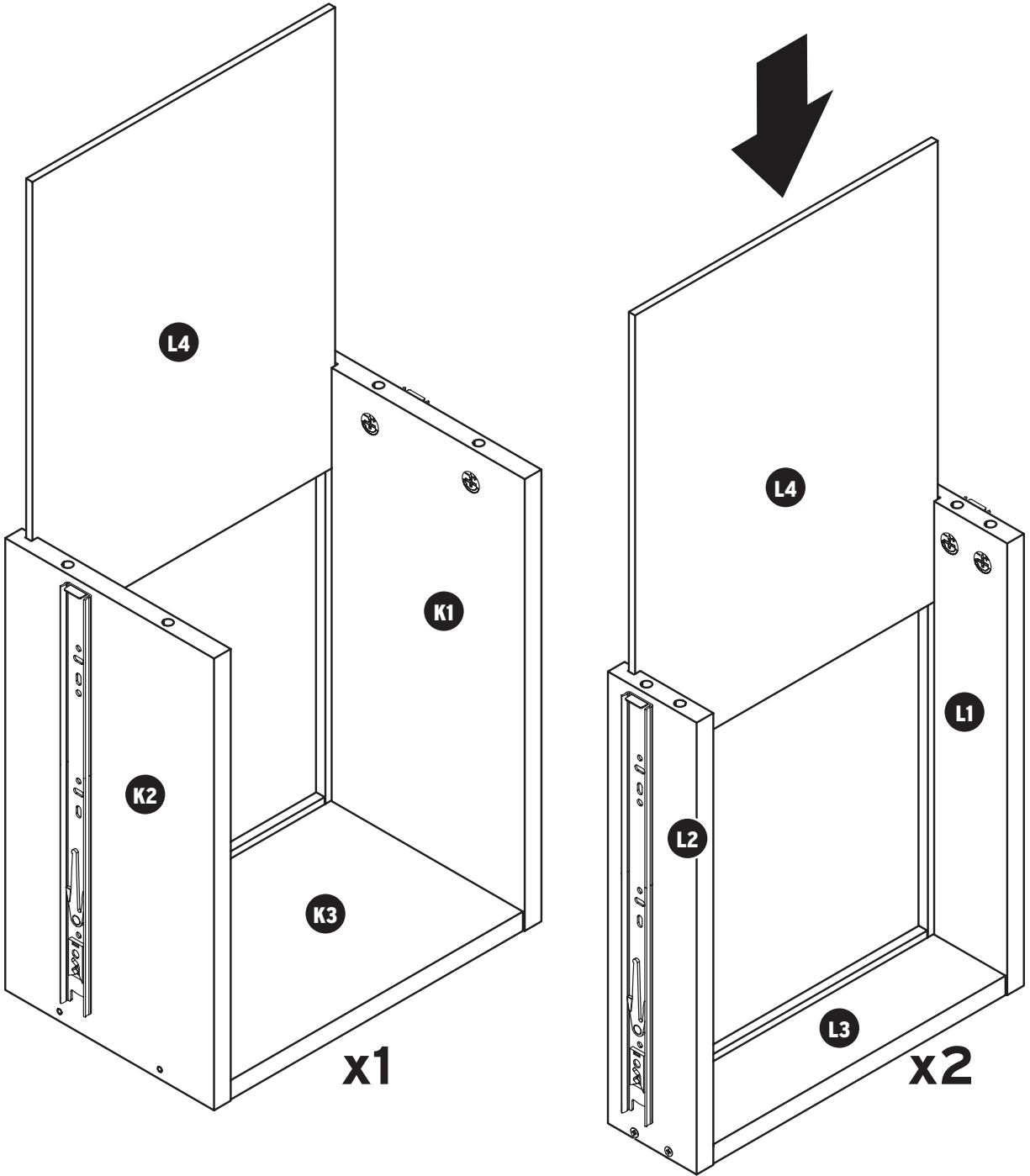
# Caddy Step 3: Drawers



**s3** 3.5x35 Screw **x12**

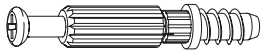


# Caddy Step 3: Drawers



Slide drawer bottom **Panels L4** into grooves on **Panels L1/L2/L3** and **Panels K1/K2/K3** as shown above.

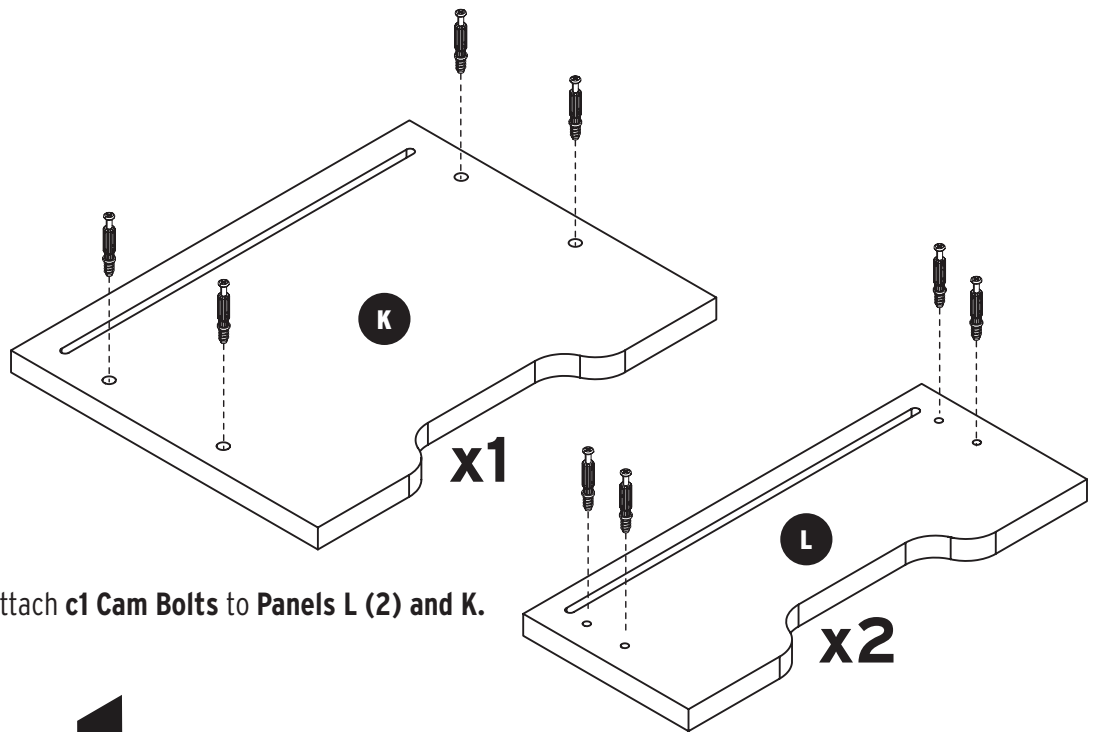
# Caddy Step 3: Drawers



**c1** 6x35 Cam Bolt **x12**



**c2**  $\frac{5}{8}$ " Cam Cover **x12**

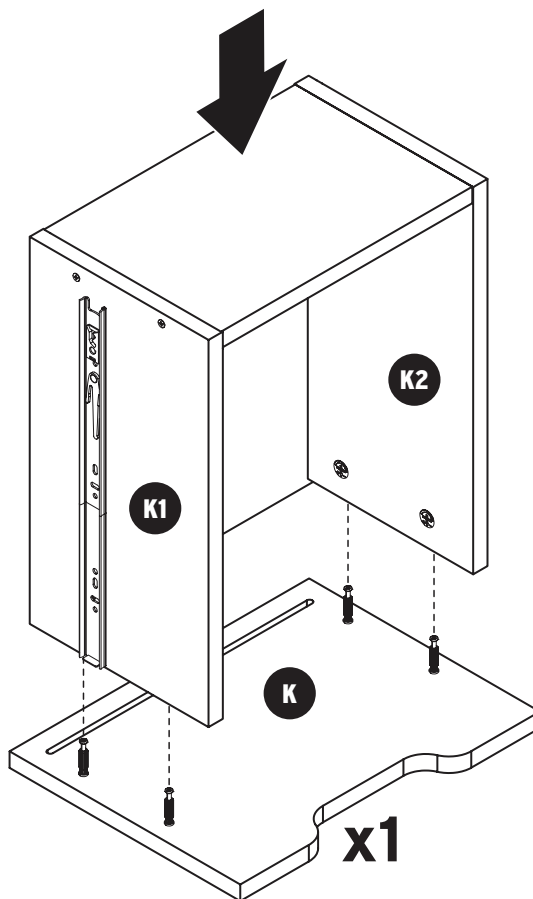


Attach **c1** Cam Bolts to **Panels L (2)** and **K**.

Attach drawer front **Panel L** to drawer side **Panels L1 and L2** as shown.

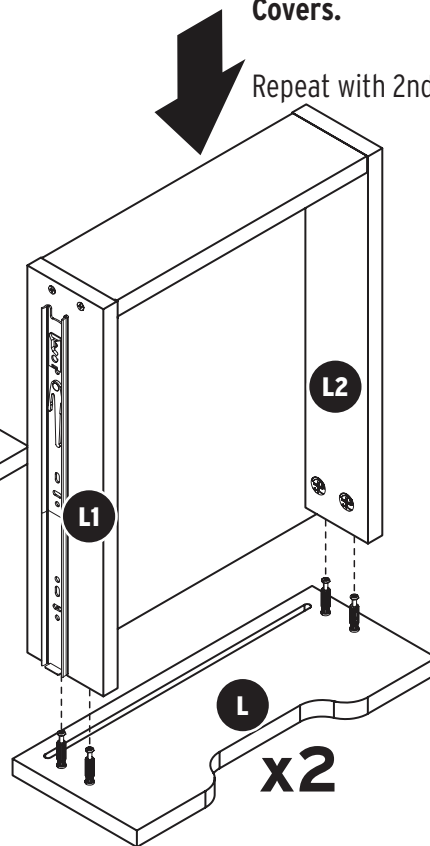
Tighten cams and cover with **c2** Cam Covers.

Repeat with 2nd drawer.

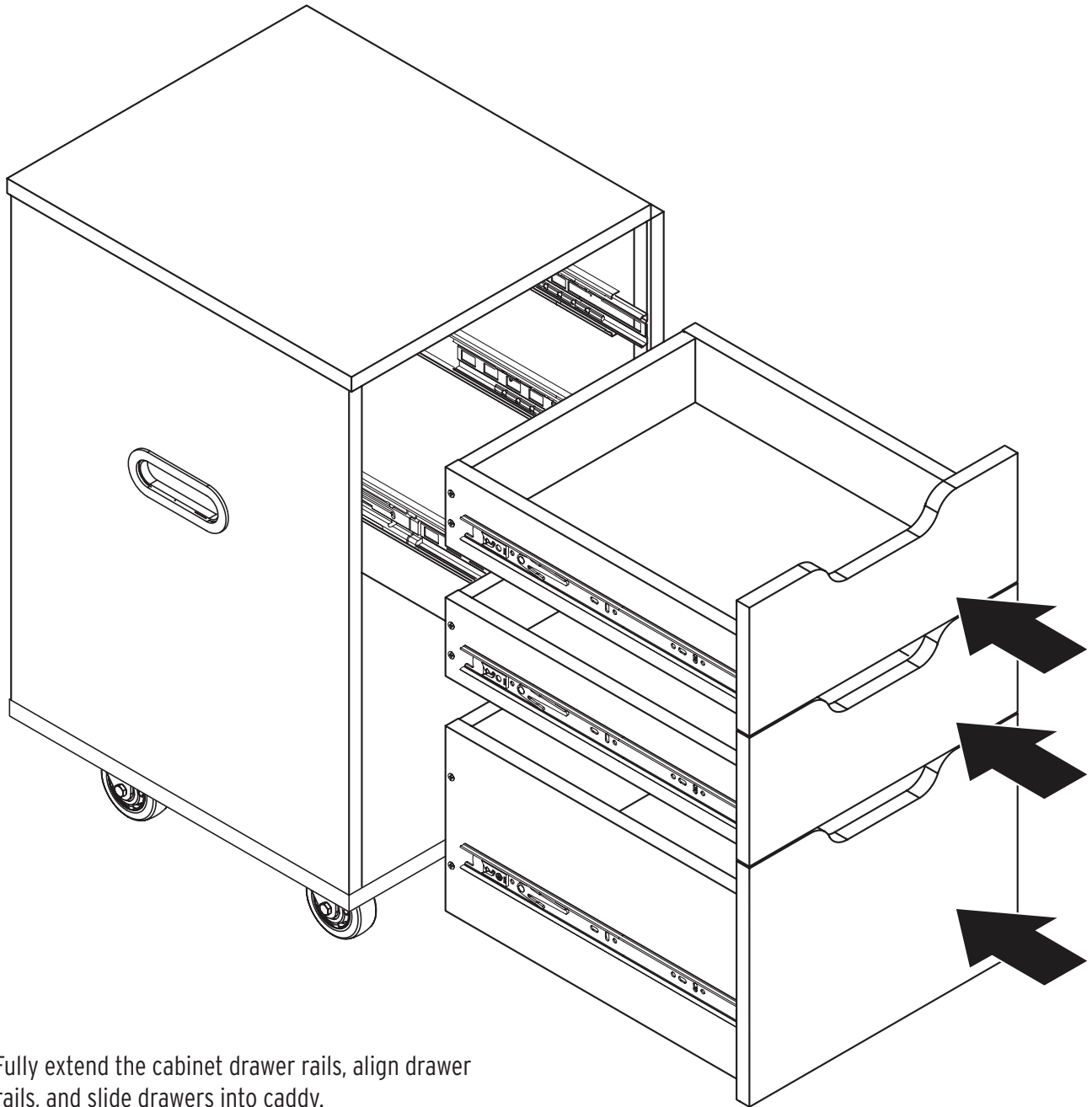


Attach drawer front **Panel K** to drawer side **Panels K1 and K2** as shown.

Tighten cams and cover with **c2** Cam Covers.



# Caddy Step 3: Drawers



Fully extend the cabinet drawer rails, align drawer rails, and slide drawers into caddy.

**Be sure that the silver ball bearing pieces are positioned all the way to the front of the rails.**

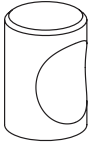
**TIP:** Gently open and close the drawers a few times to engage the Soft Close mechanism.

**WARNING: CADDY IS PRONE TO TIPPING WHEN NOT ATTACHED TO THE MAIN CABINET.** Always have your Caddy anchored to your cabinet to prevent tipping (see page 31).

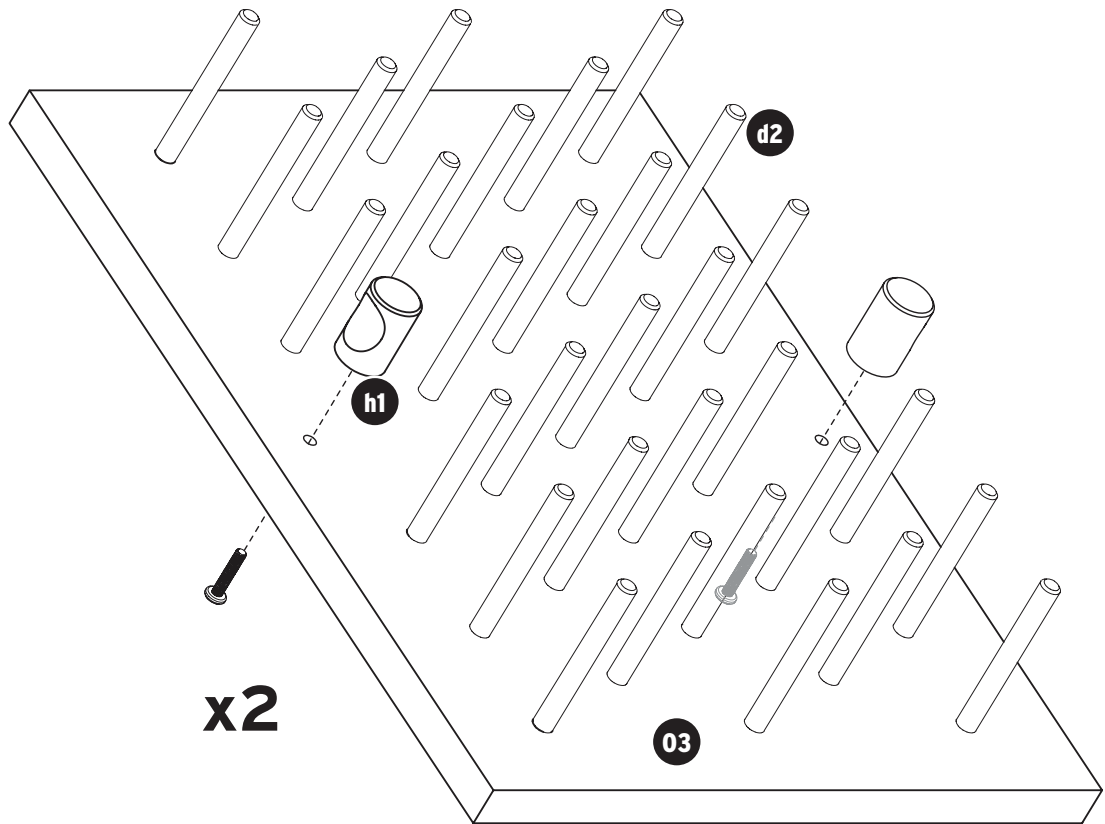
# Caddy Step 4: Thread Spool Boards



**d2** 8x80 Dowel Pin **x62**



**h1** Handle **x4**

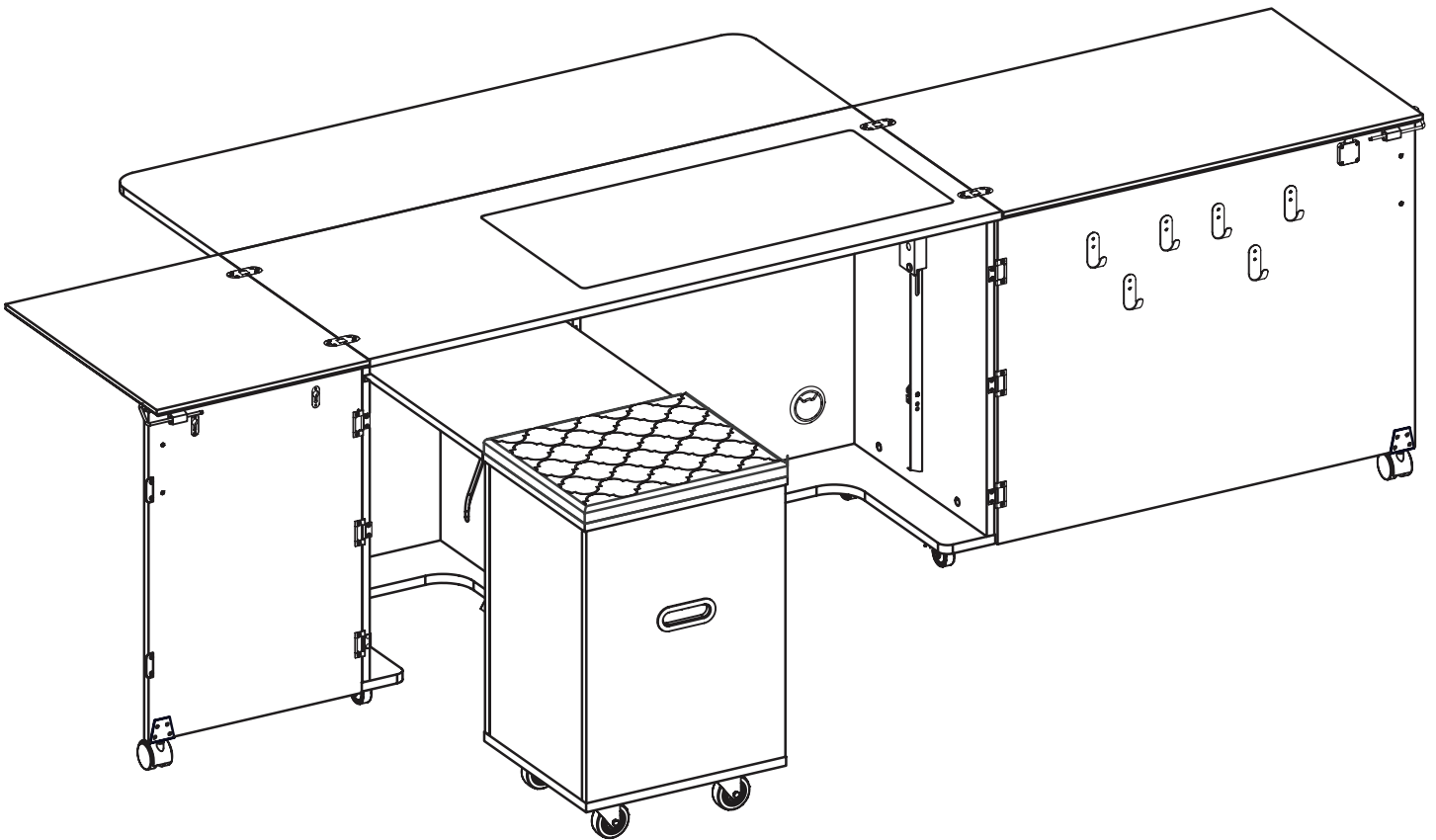


Insert **d2 Dowel Pins** into **Panel 03**. If you choose to use glue in this step, note that the dowels will not be reconfigurable once glue has set.

Attach **h1 Handles** to **Panel 03** using the bolts found with the h1 Handles.



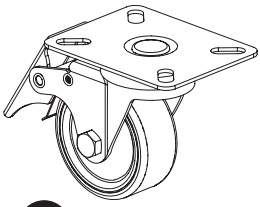
## Part 2: Main Cabinet



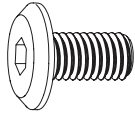
**Note:** We recommend that 2 people work together to assemble the main cabinet.

***Refer to the packing chart on Page 3 for panel locations.***

# Main Cabinet Step 1: Base



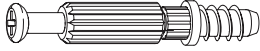
**t2** Plate Caster **x5**



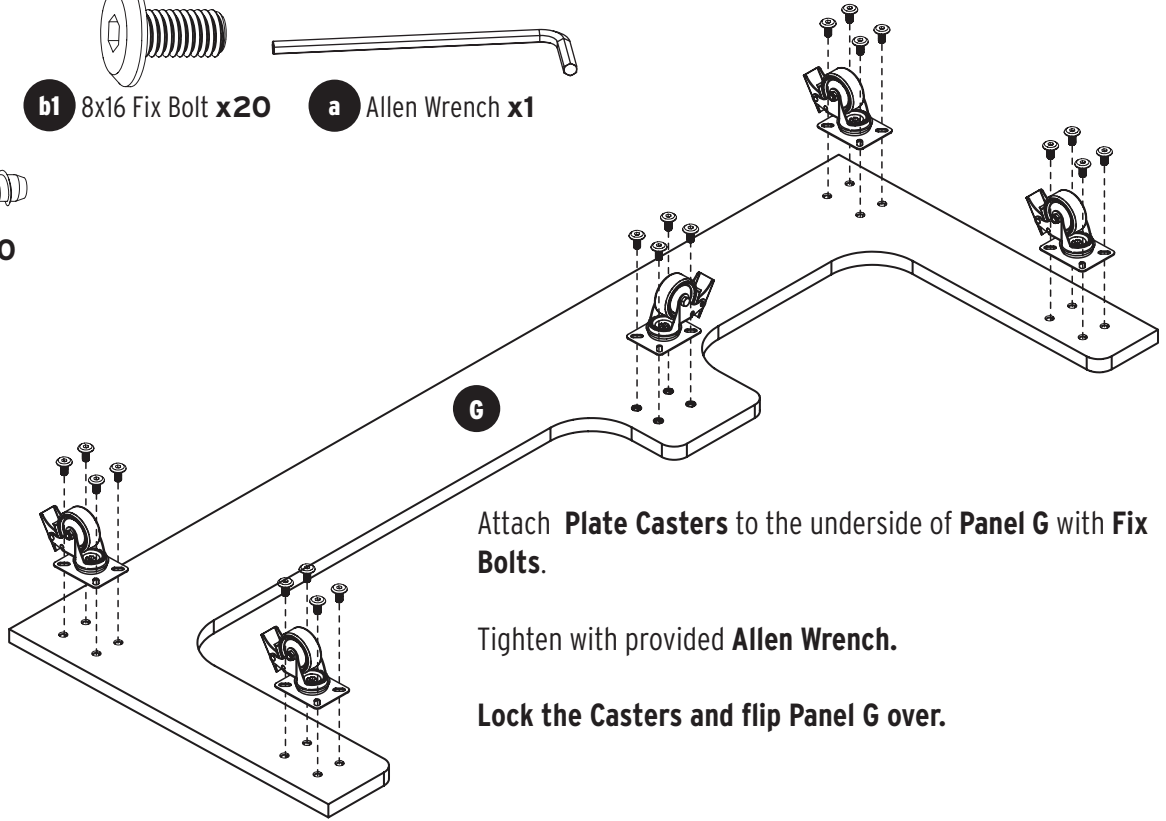
**b1** 8x16 Fix Bolt **x20**



**a** Allen Wrench **x1**



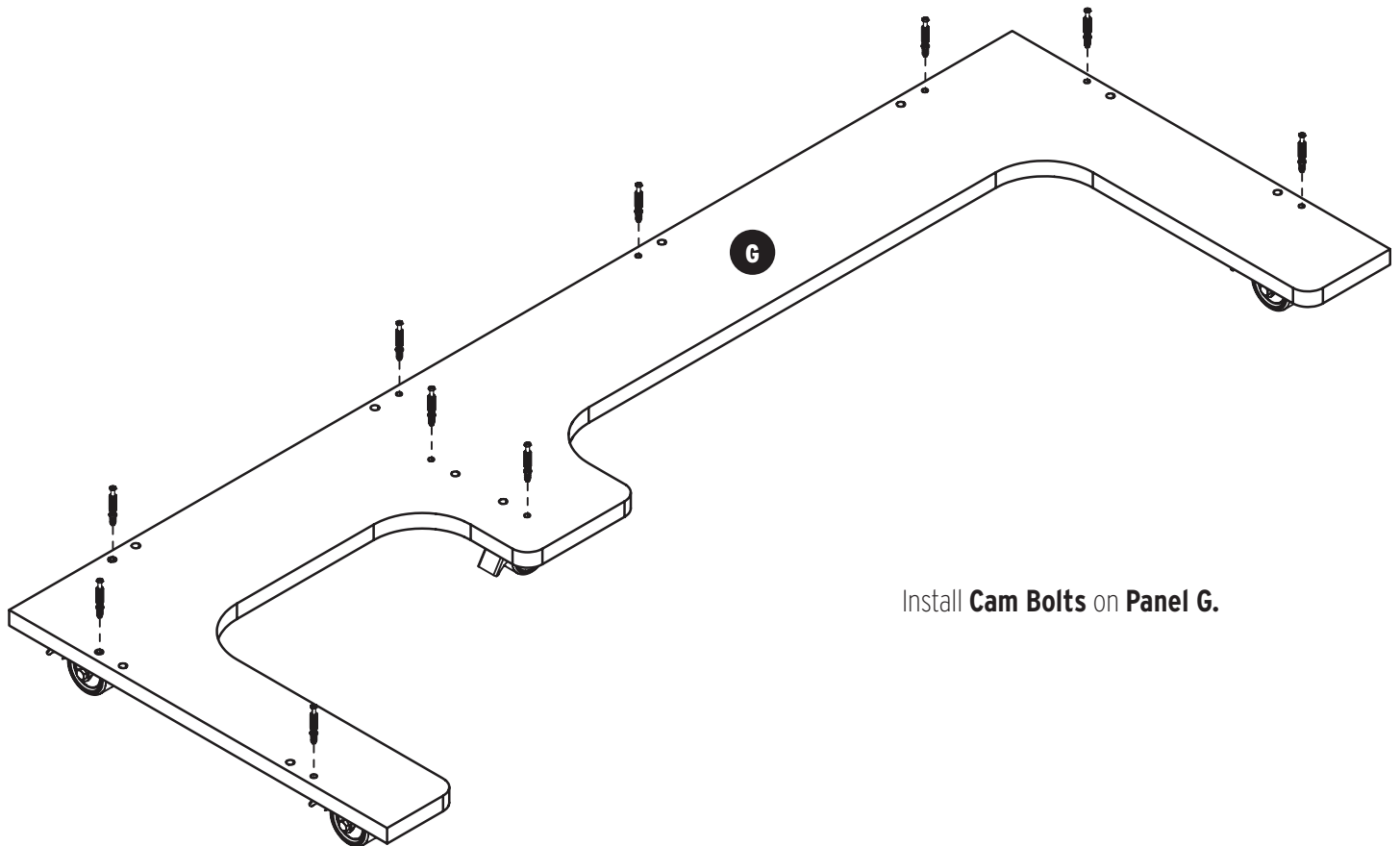
**c1** 6x35 Cam Bolt **x10**



Attach **Plate Casters** to the underside of **Panel G** with **Fix Bolts**.

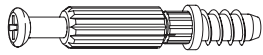
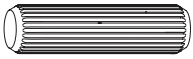
Tighten with provided **Allen Wrench**.

**Lock the Casters and flip Panel G over.**

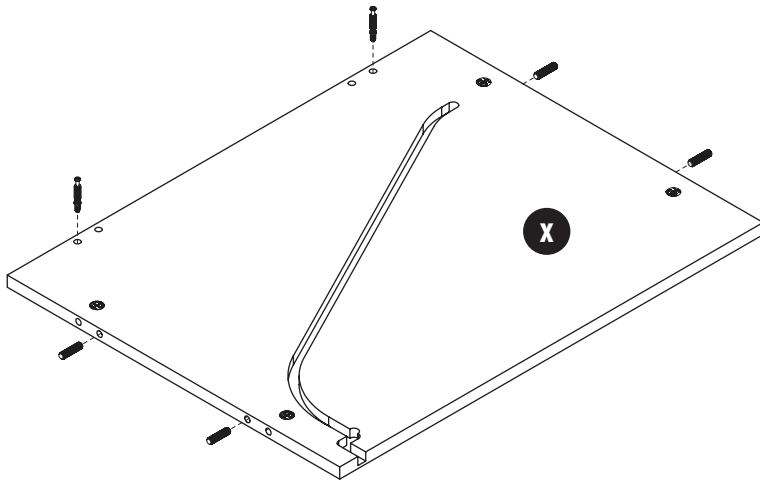


Install **Cam Bolts** on **Panel G**.

# Main Cabinet Step 2: Back, Center and Side Panels

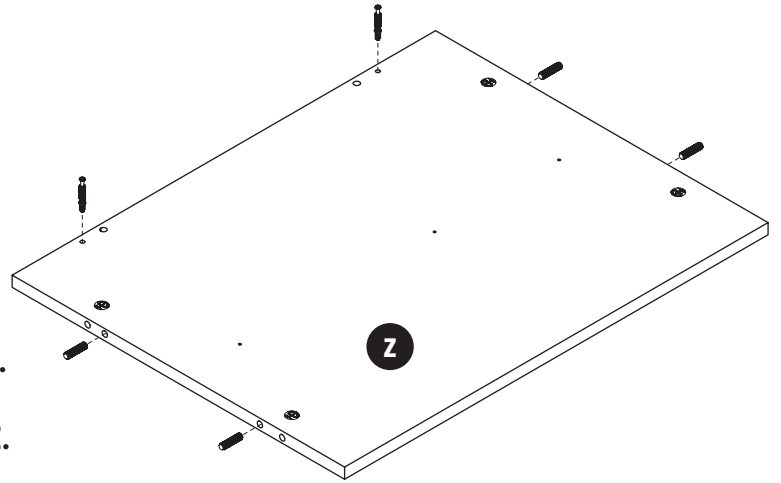


**d1** 8x30 Dowel Pin **x20**   **c1** 6x35 Cam Bolt **x6**



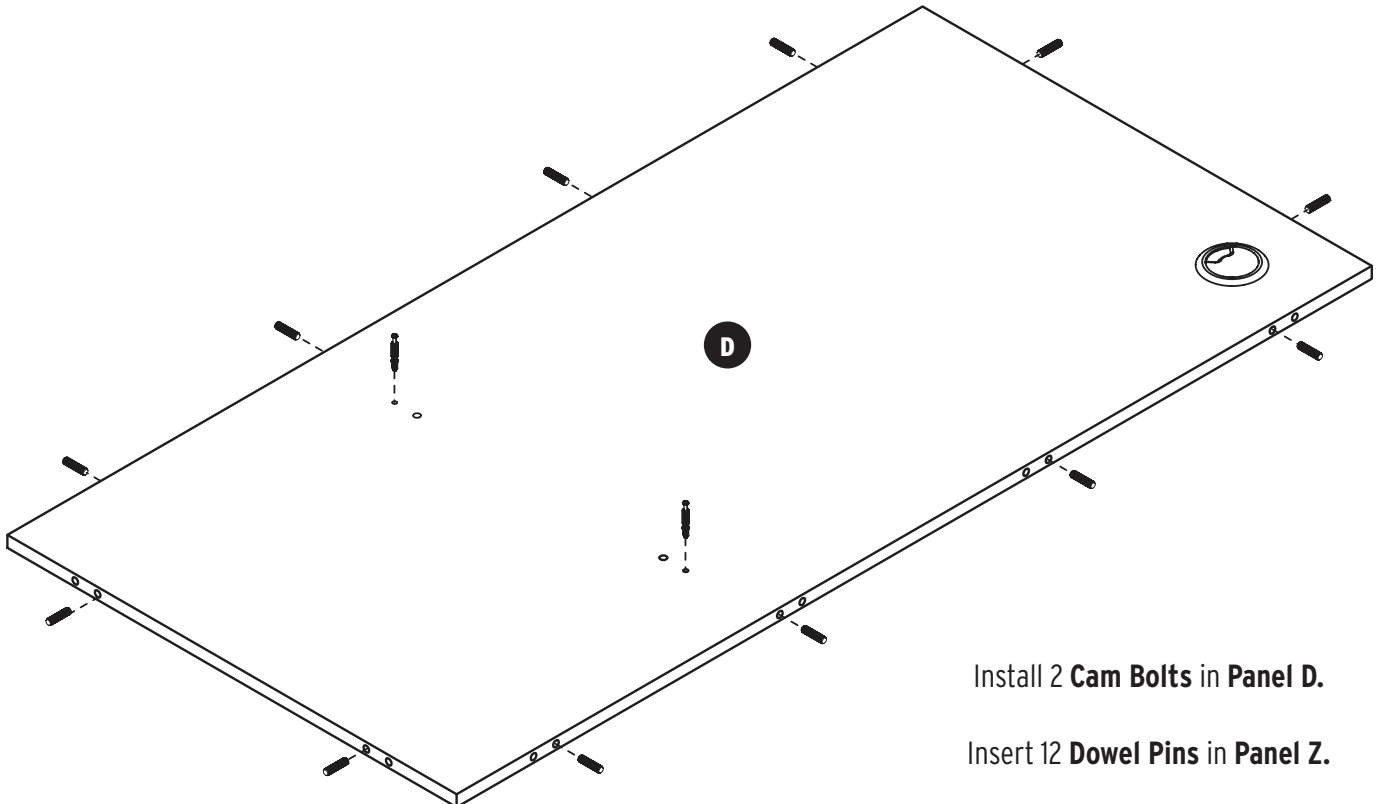
Install 2 **Cam Bolts** in **Panel X**.

Insert 4 **Dowel Pins** in **Panel X**.



Install 2 **Cam Bolts** in **Panel Z**.

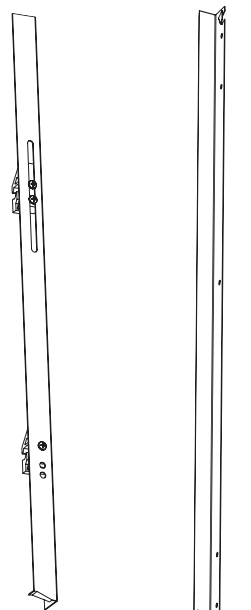
Insert 4 **Dowel Pins** in **Panel Z**.



Install 2 **Cam Bolts** in **Panel D**.

Insert 12 **Dowel Pins** in **Panel Z**.

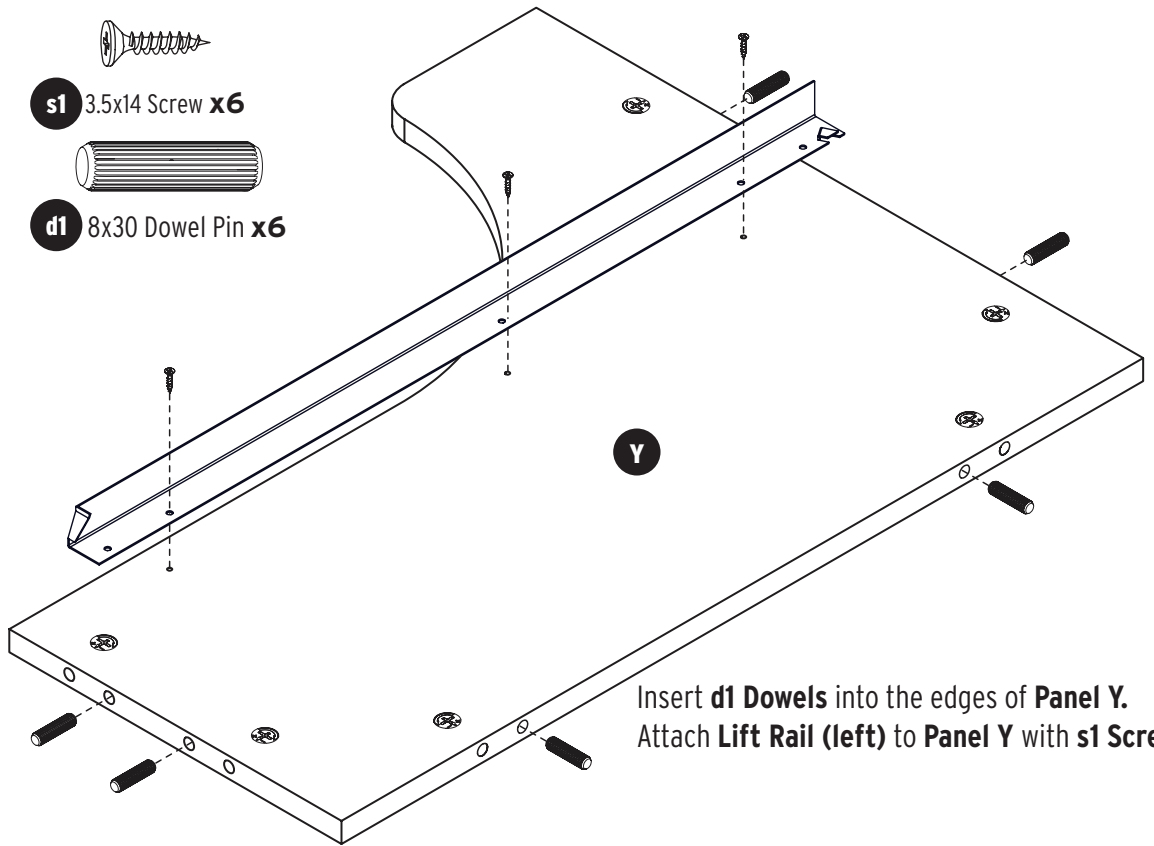
# Main Cabinet Step 2: Back, Center and Side Panels



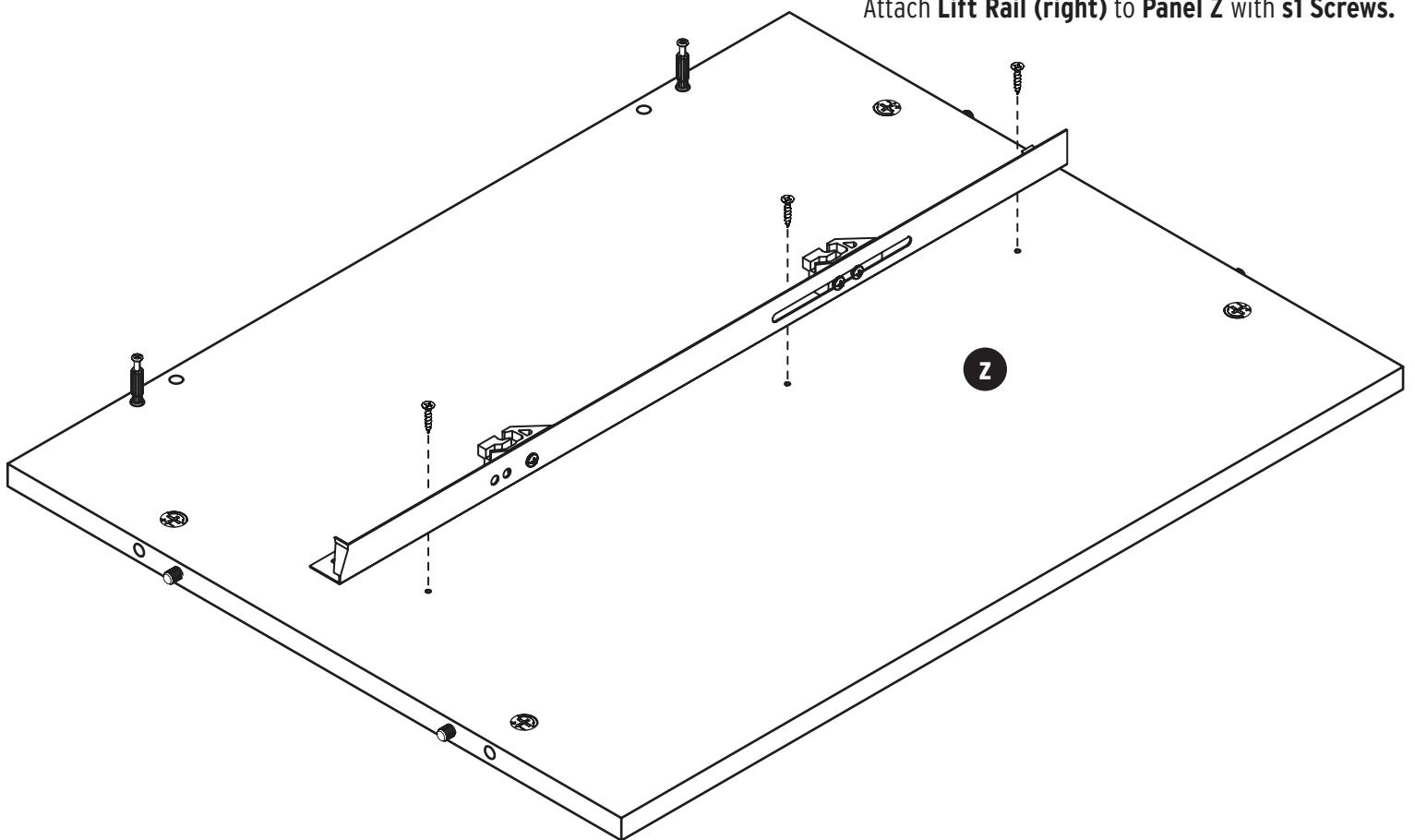
Lift Rail  
(Right) x1

Lift Rail  
(Left) x1

- s1** 3.5x14 Screw x6
- d1** 8x30 Dowel Pin x6



Insert **d1** Dowels into the edges of **Panel Y**.  
Attach **Lift Rail (left)** to **Panel Y** with **s1** Screws.



Attach **Lift Rail (right)** to **Panel Z** with **s1** Screws.

**IMPORTANT:** Spray a bit of WD-40 or similar lubricant onto a paper towel and wipe the lift rail down. This is necessary in order for the lift to function smoothly, and must be repeated annually.

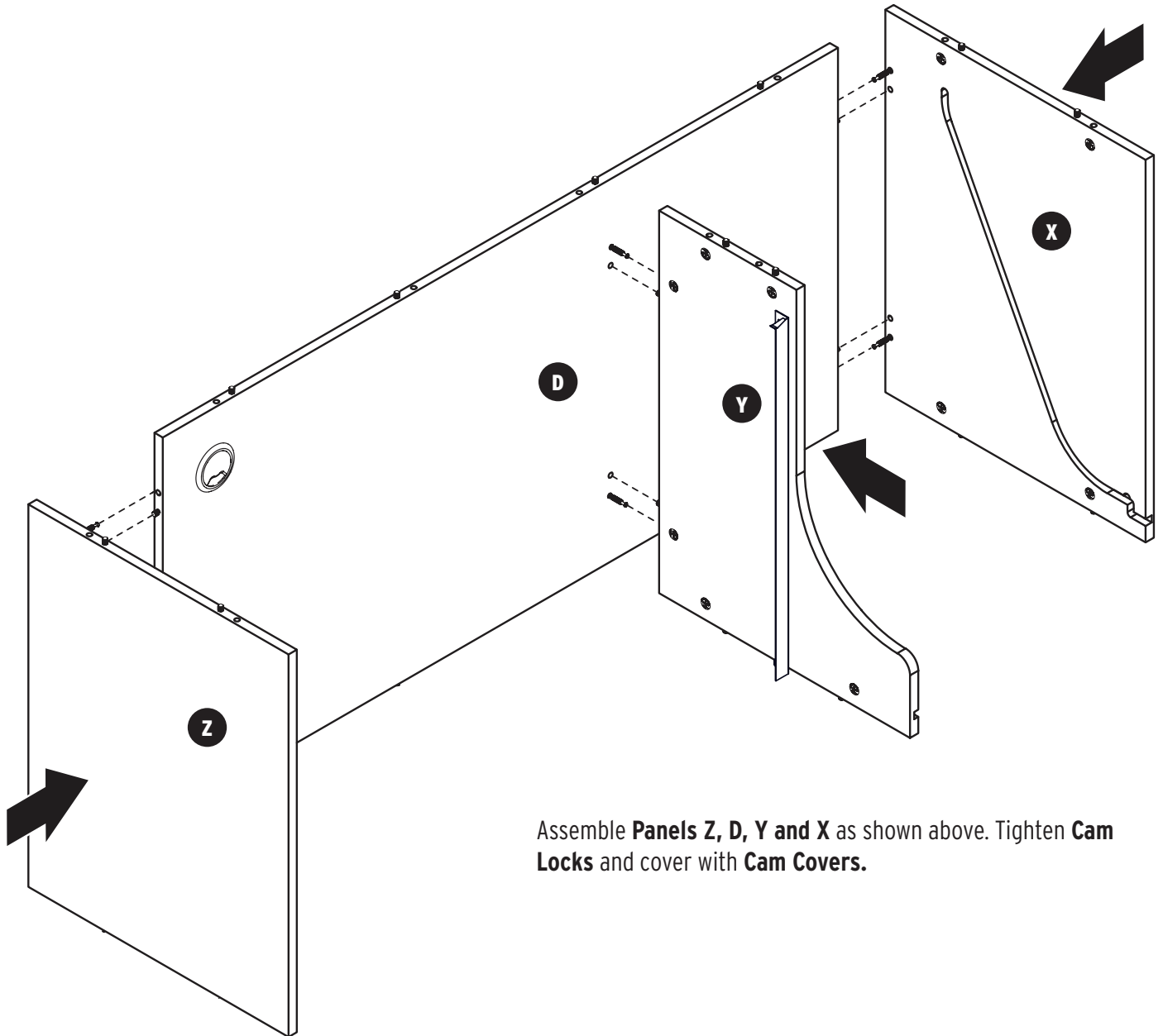
# Main Cabinet Step 2: Back, Center and Side Panels



**c2**  $\frac{5}{8}$ " Cam Cover **x6**

**NOTE:** The illustration below shows upside down assembly of **Panels D, X and Z**.  
Assembling these panels upside down will make attaching **Panel G** easier.

Note that **Panel D** must have **Cam Locks** facing the back of the cabinet.



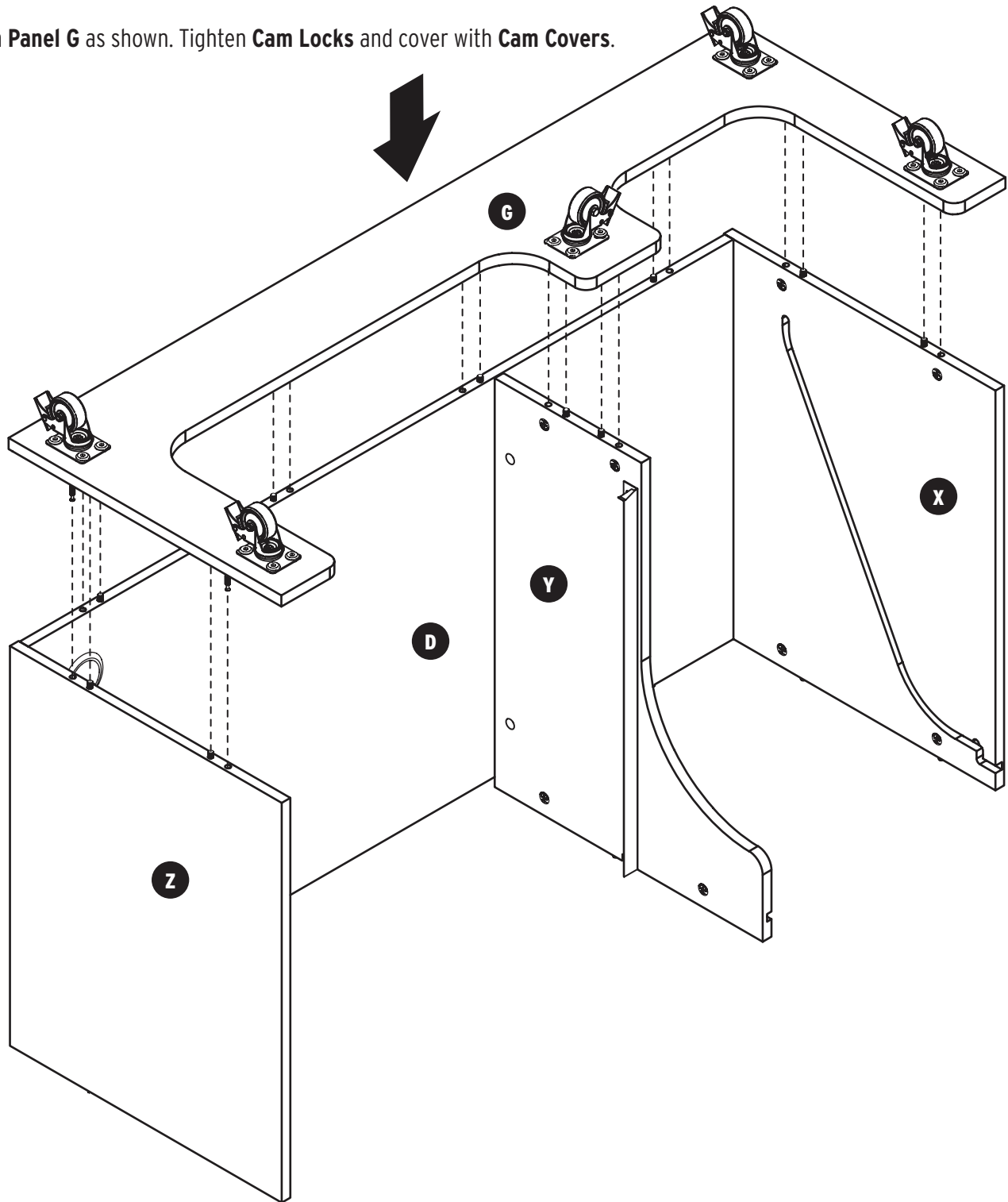
Assemble **Panels Z, D, Y and X** as shown above. Tighten **Cam Locks** and cover with **Cam Covers**.

# Main Cabinet Step 2: Back, Center and Side Panels

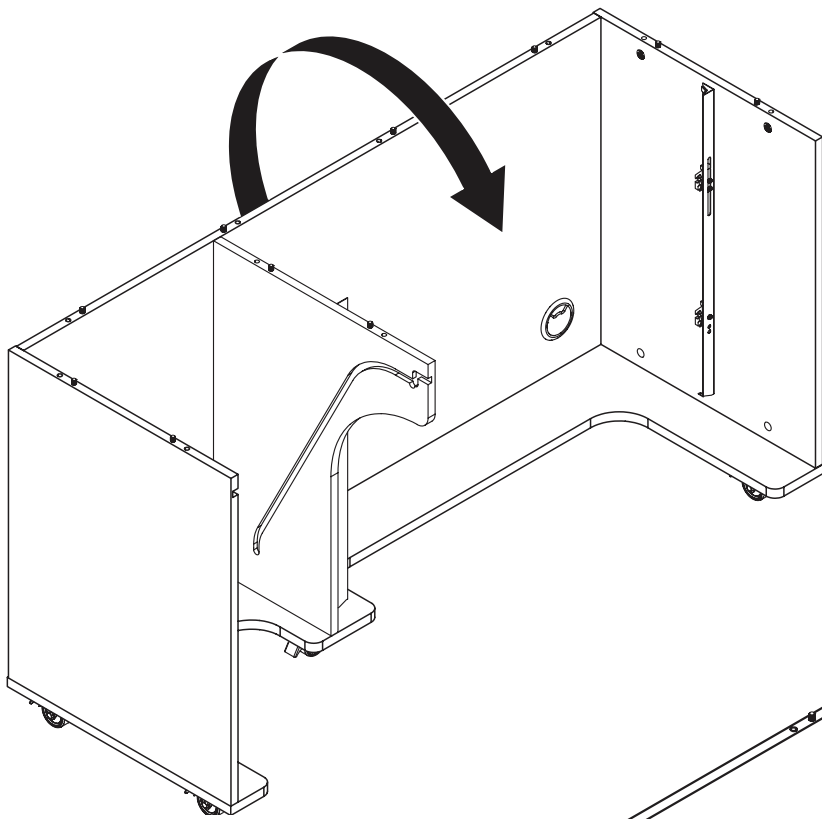


**c2**  $\frac{5}{8}$ " Cam Cover **x10**

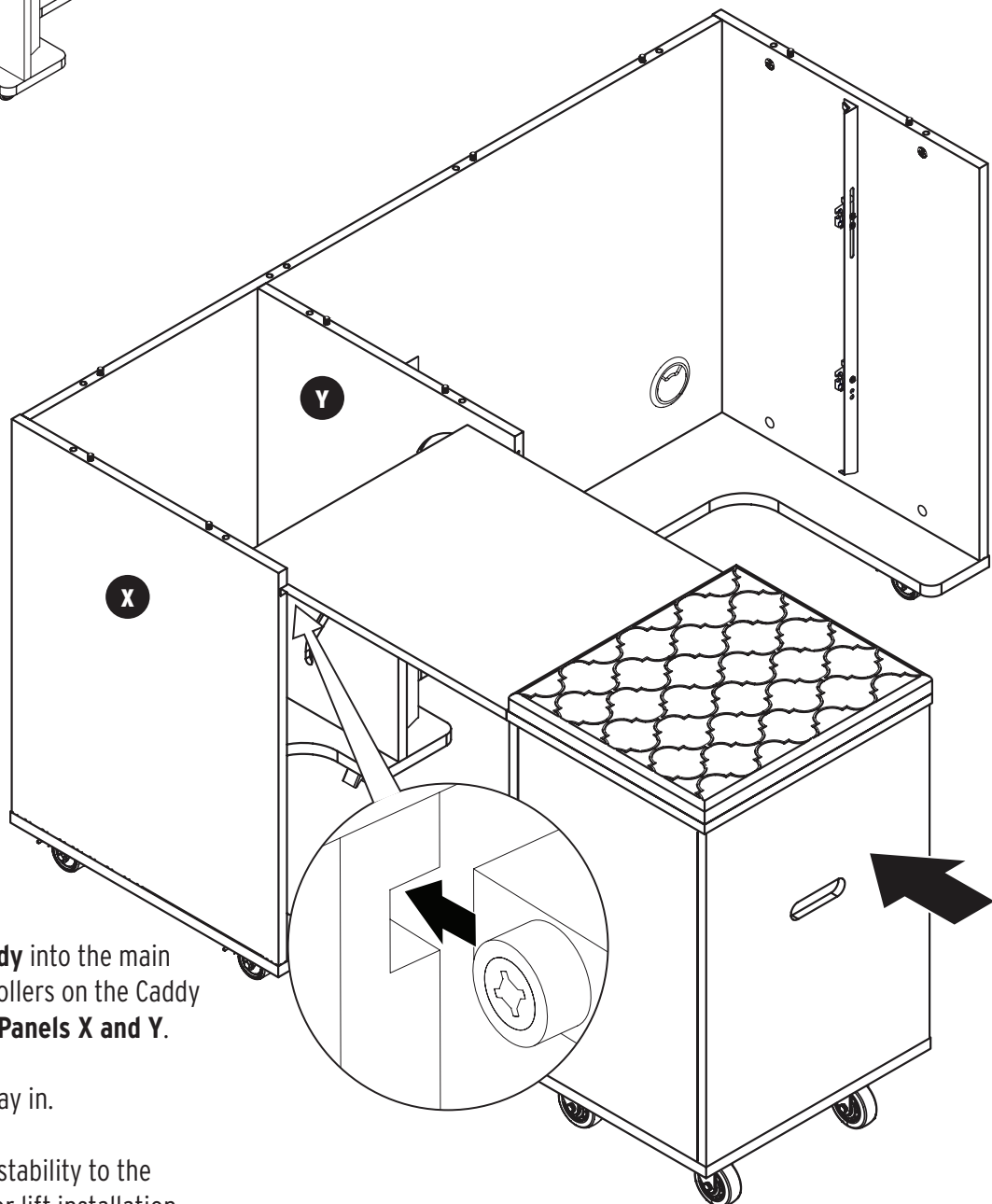
Attach **Panel G** as shown. Tighten **Cam Locks** and cover with **Cam Covers**.



# Main Cabinet Step 3: Lift Installation



Make sure **Casters** are locked and flip the cabinet over onto its wheels. You may need a friend to help you, but it is not required.



Slide the completed **Caddy** into the main cabinet by nestling the rollers on the Caddy leaf into the grooves on **Panels X and Y**.

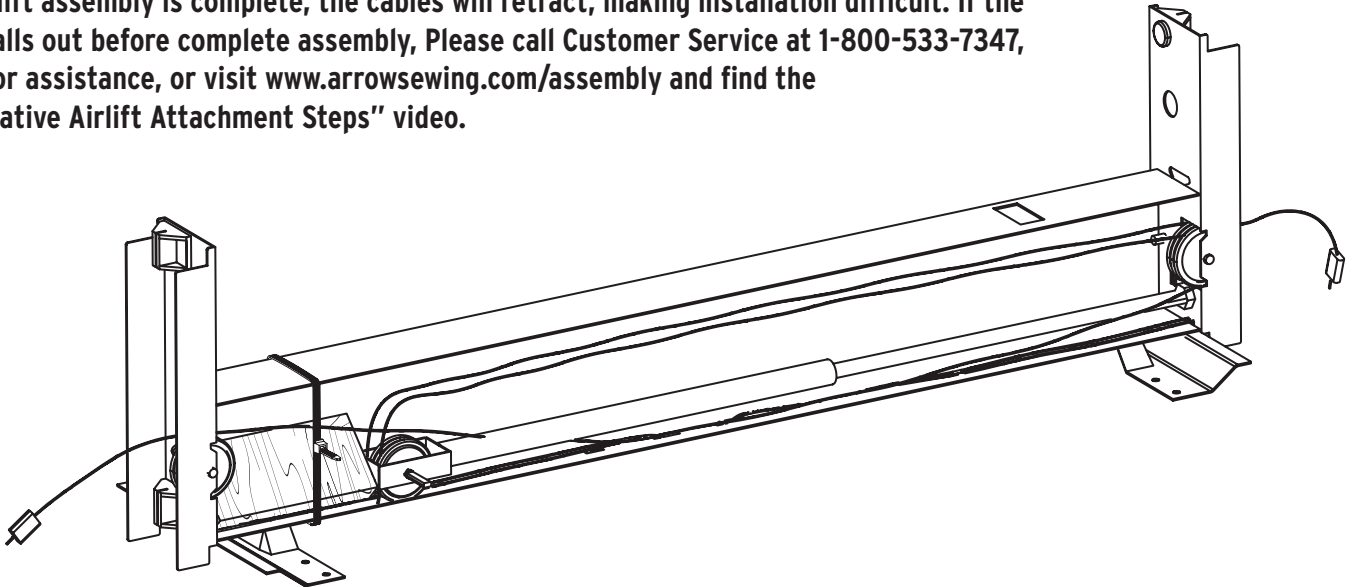
Push the Caddy all the way in.

This is important to add stability to the center panel (**Panel Y**) for lift installation.

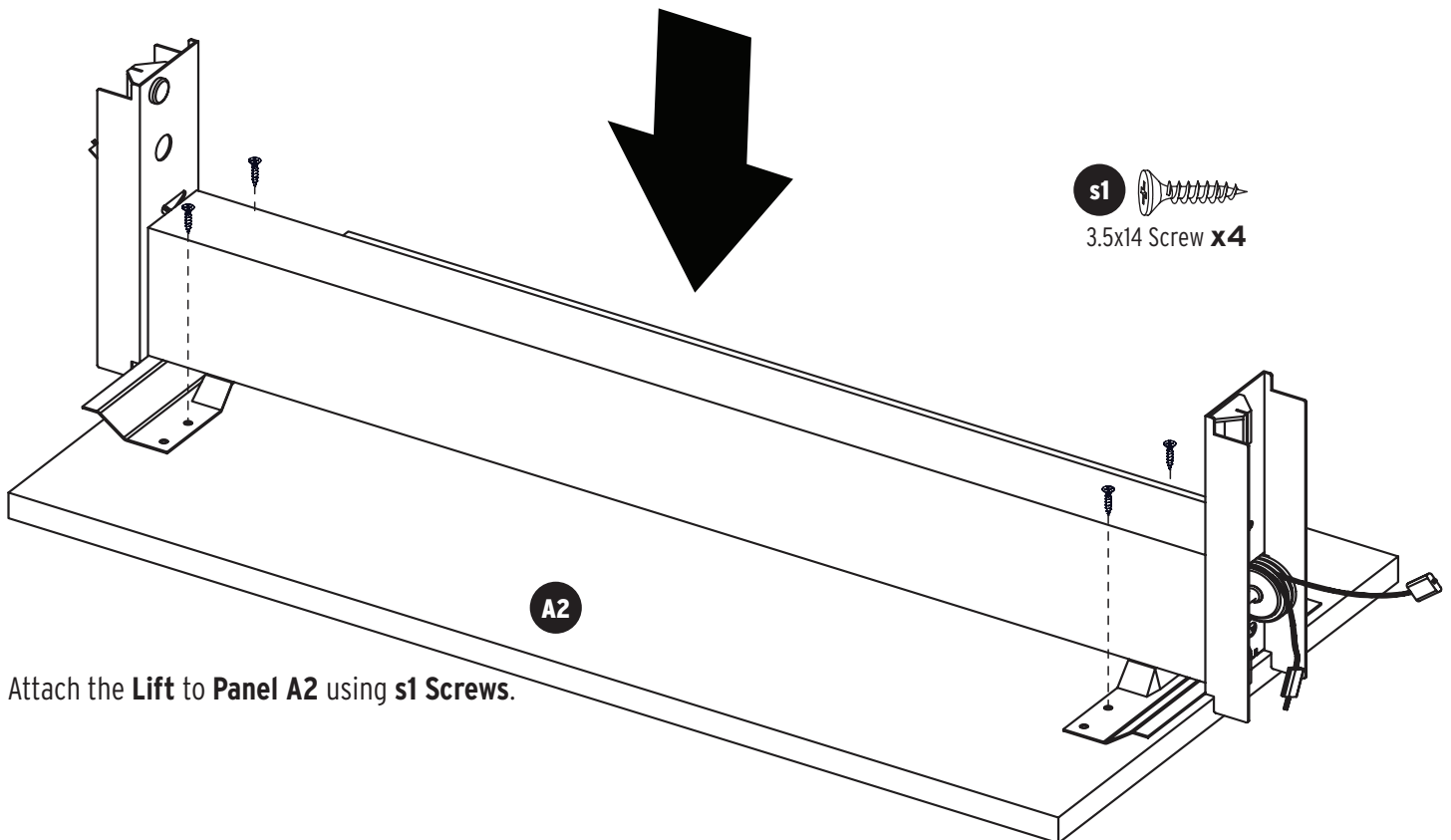
# Main Cabinet Step 3: Lift Installation

## LIFT INSTALLATION WARNING:

DO NOT remove the small wooden block from the Lift until assembly is complete. If the block is removed or falls out before lift assembly is complete, the cables will retract, making installation difficult. If the block falls out before complete assembly, Please call Customer Service at 1-800-533-7347, ext. 1 for assistance, or visit [www.arrowsewing.com/assembly](http://www.arrowsewing.com/assembly) and find the "Alternative Airlift Attachment Steps" video.



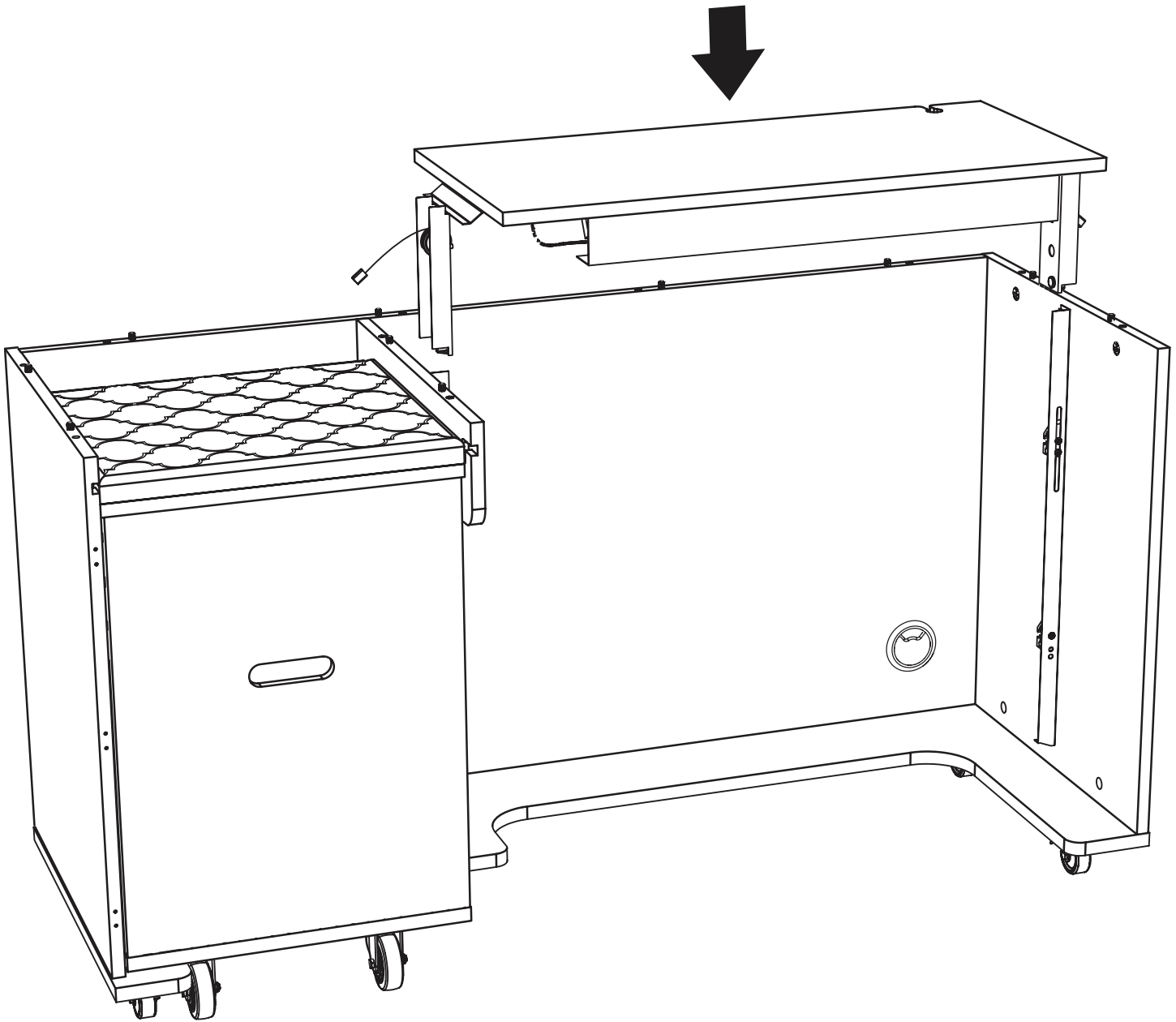
This illustration shows the back view of the **Lift**. Notice the wooden block and zip tie; the wooden block holds the piston in place so that the cables can be easily handled and inserted into the **Lift Rails** installed on your cabinet.



Attach the **Lift** to **Panel A2** using **s1 Screws**.



# Main Cabinet Step 4: Lift Installation



Guide **Lift** onto **Lift Rails** using plastic guides. Insert ends of cable into rail tabs; make sure the cable is hooked into the rail tabs on both sides.

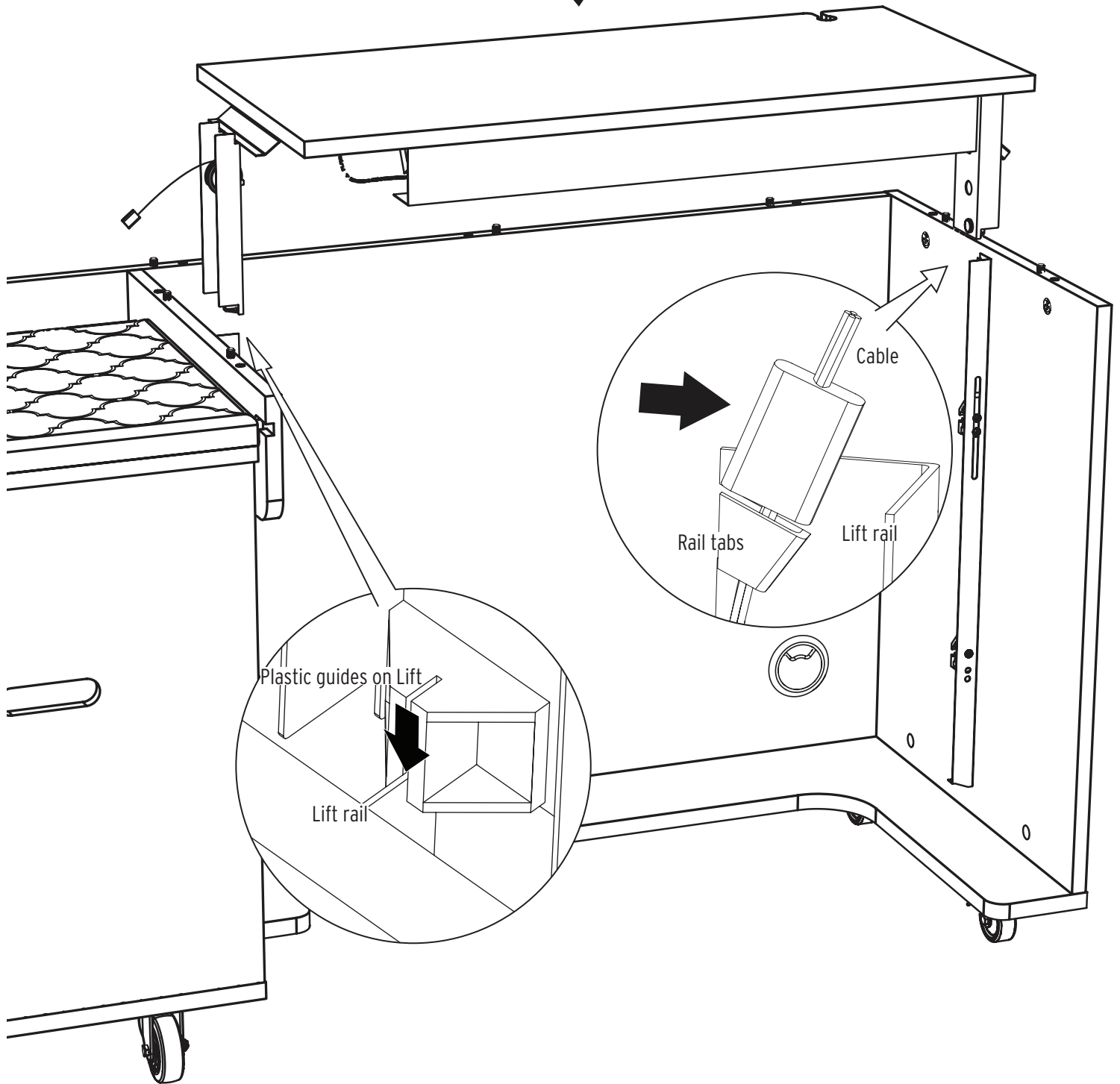
**NOTE: See Page 26 for close-up illustrations of Lift Panel assembly.**

Cut the zip tie on the wooden block, but **DO NOT** remove the block yet.

Lower the **Lift** to first lock position and remove the wooden block. **DO NOT ADJUST LIFT POSITION** until the top is installed, or you risk the Lift coming out and cables becoming disengaged.

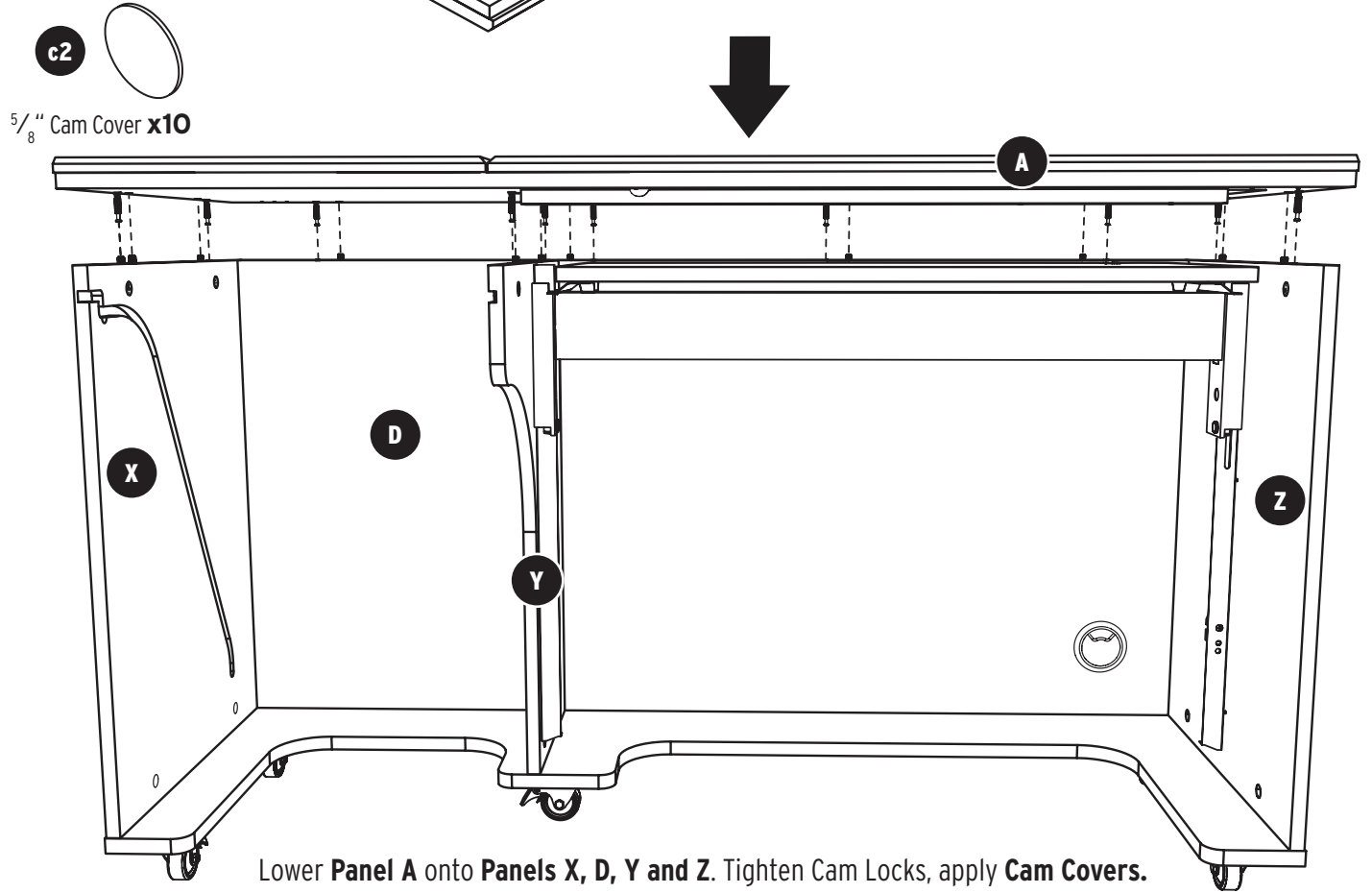
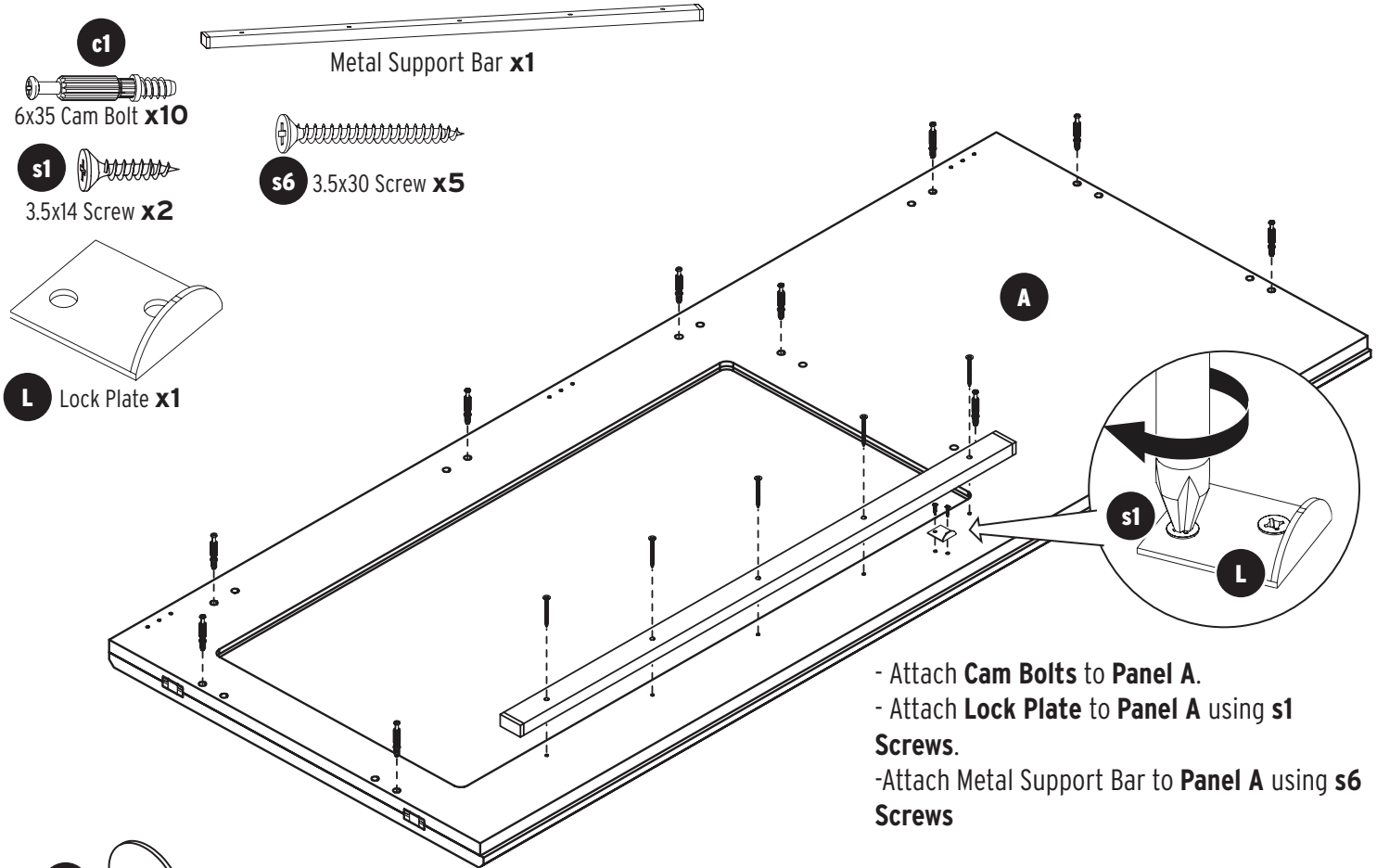
**You will need to remove the Caddy from the cabinet at this time so that you can reach the necessary cam locks in Step 5.**

# Main Cabinet Step 4a: Lift Installation Close-Up

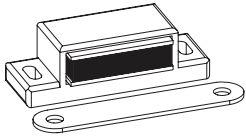


**REMINDER:** Our Customer Service Team is available for any assembly related questions. Please call 1-800-533-7347, ext. 1 to speak with an Assembly Expert.

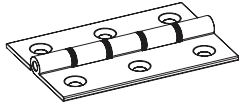
# Main Cabinet Step 5: Top and Quilt Panel



# Main Cabinet Step 5: Top and Quilt Panel



**m** Magnet **x0**  
Catch Plate **x2**



**h1** Butt Hinge **x4**



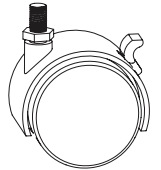
**s1** 3.5x14 Screw **x12**



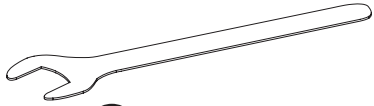
**s2** 3x14 Screw **x4**



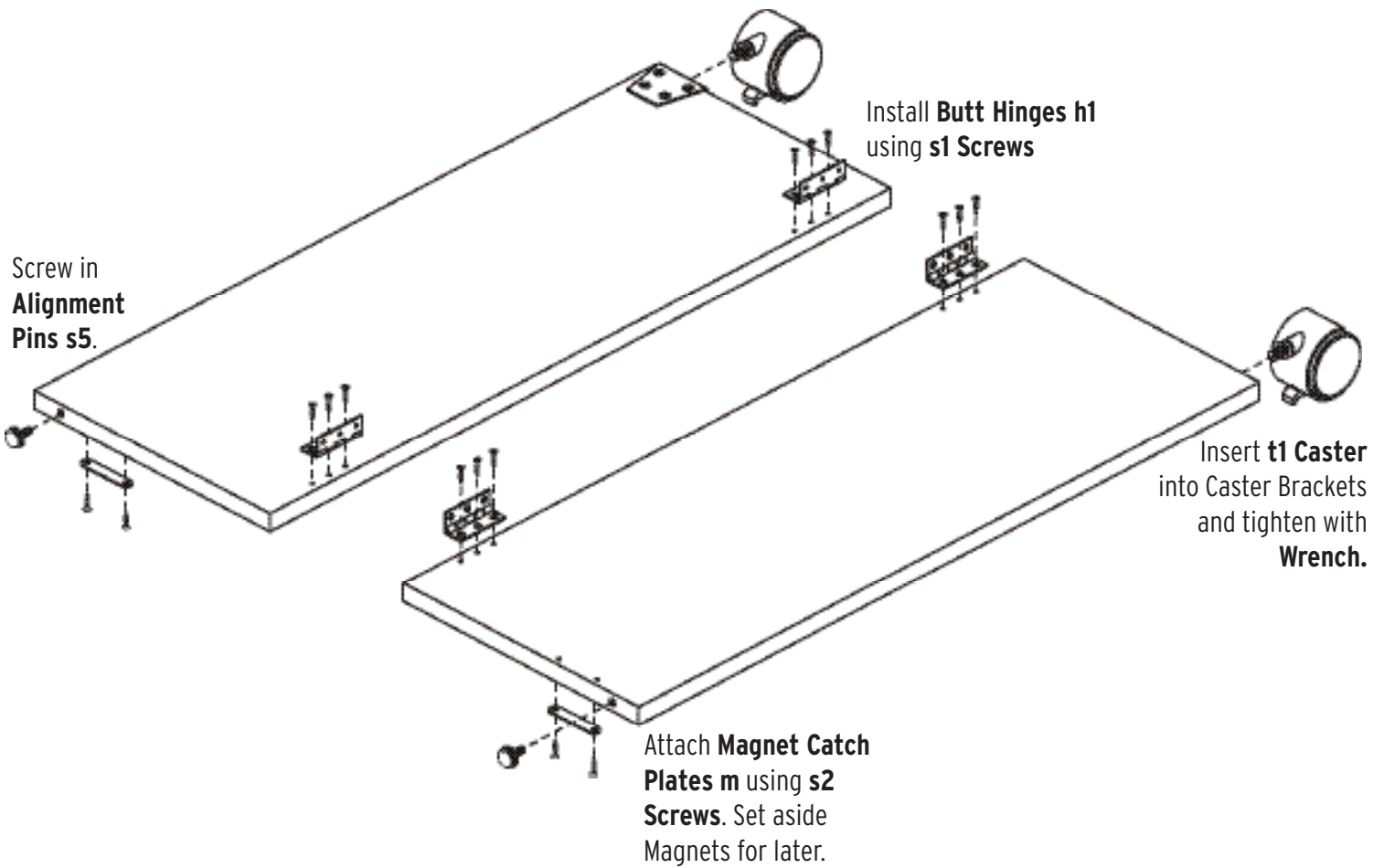
**s5** Alignment Pin **x2**



**t1** Caster **x2**



**r3** 14mm Wrench **x1**



Screw in  
**Alignment  
Pins s5.**

Install **Butt Hinges h1**  
using **s1 Screws**

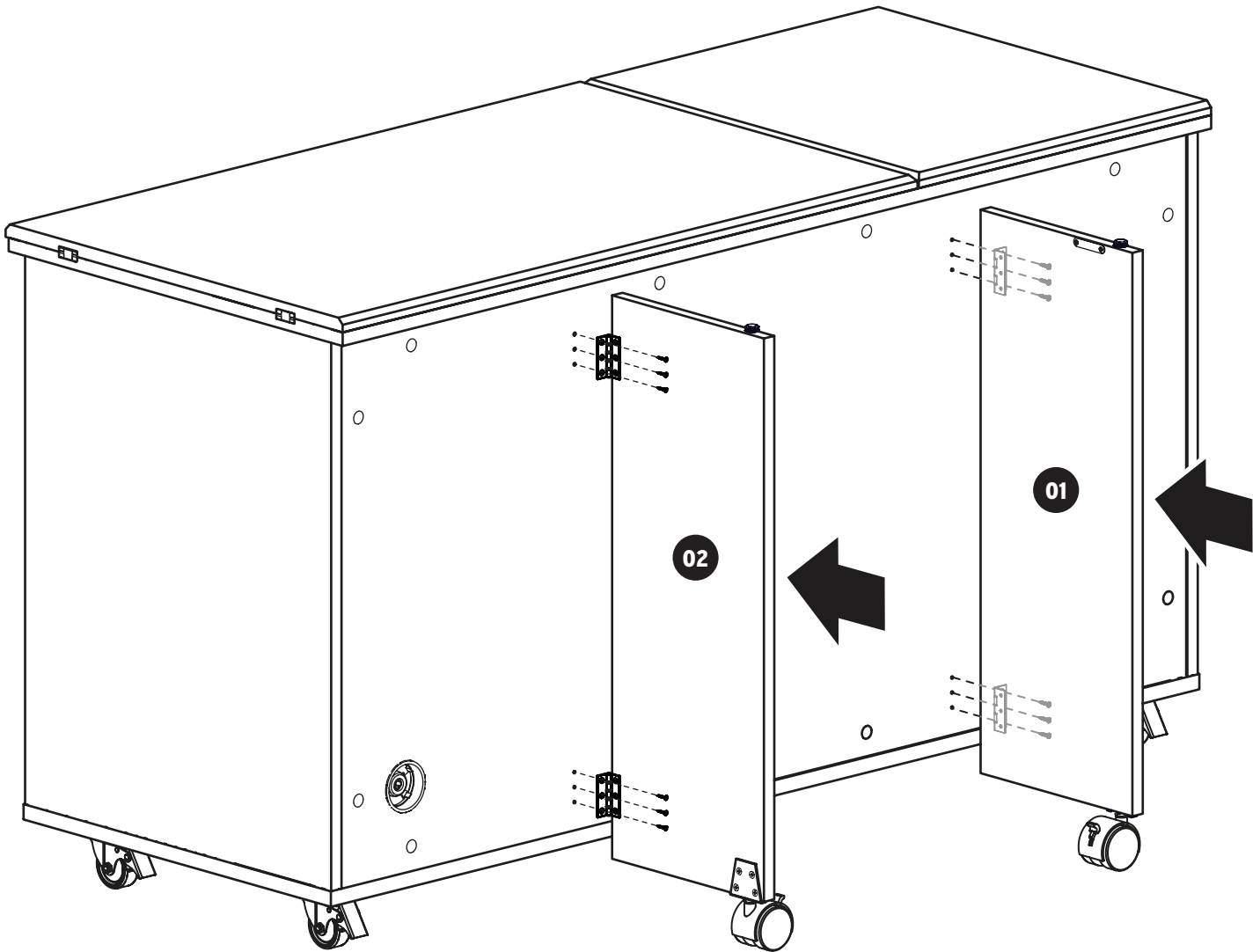
Insert **t1 Caster**  
into Caster Brackets  
and tighten with  
**Wrench.**

Attach **Magnet Catch  
Plates m** using **s2  
Screws**. Set aside  
Magnets for later.

# Main Cabinet Step 5: Top and Quilt Panel

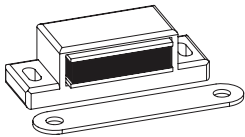


**s1** 3.5x14 Screw **x12**

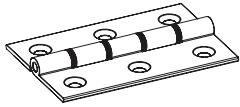


Attach **Butt Hinges** on **Panels 01 and 02** to **Panel D** using **S1 Screws** as illustrated.

# Main Cabinet Step 5: Top and Quilt Panel



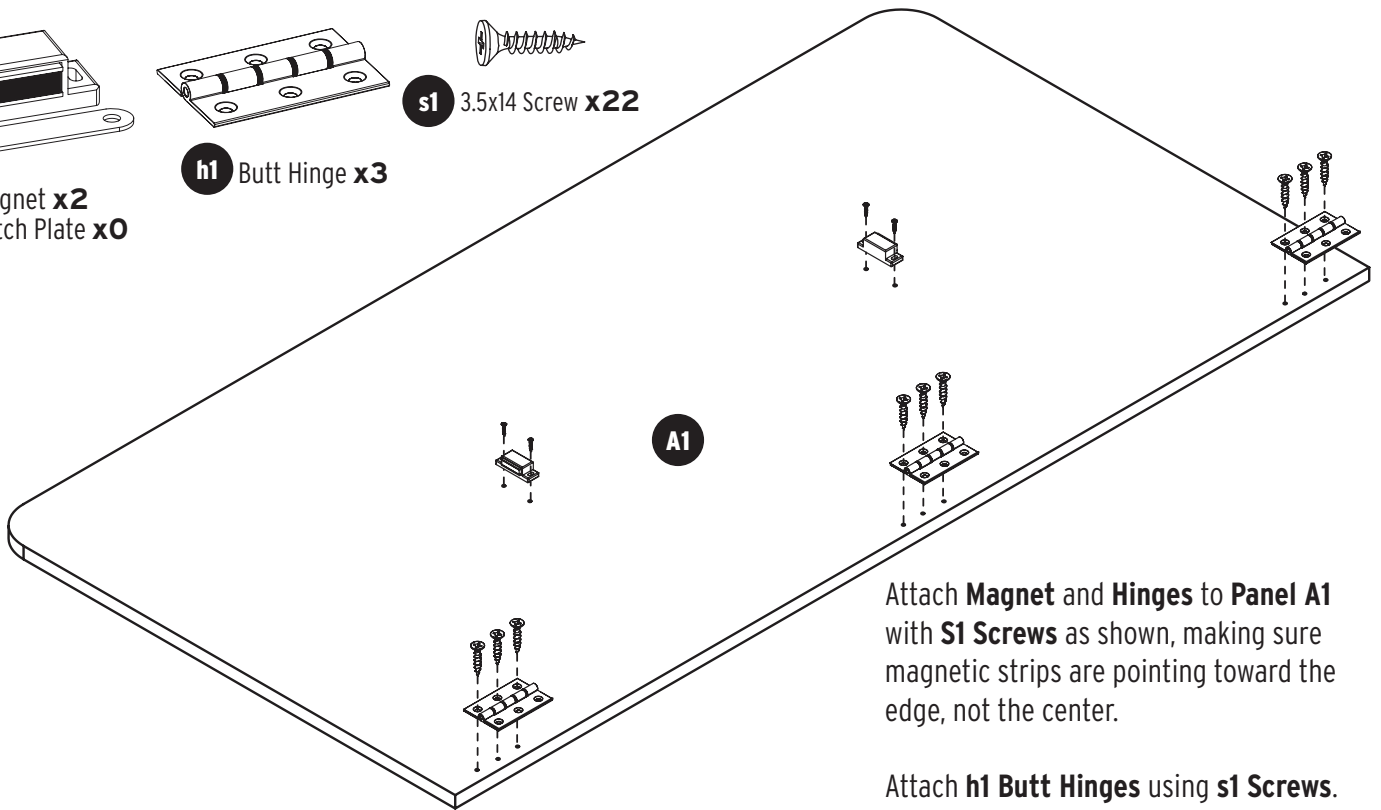
**m** Magnet **x2**  
Catch Plate **x0**



**h1** Butt Hinge **x3**

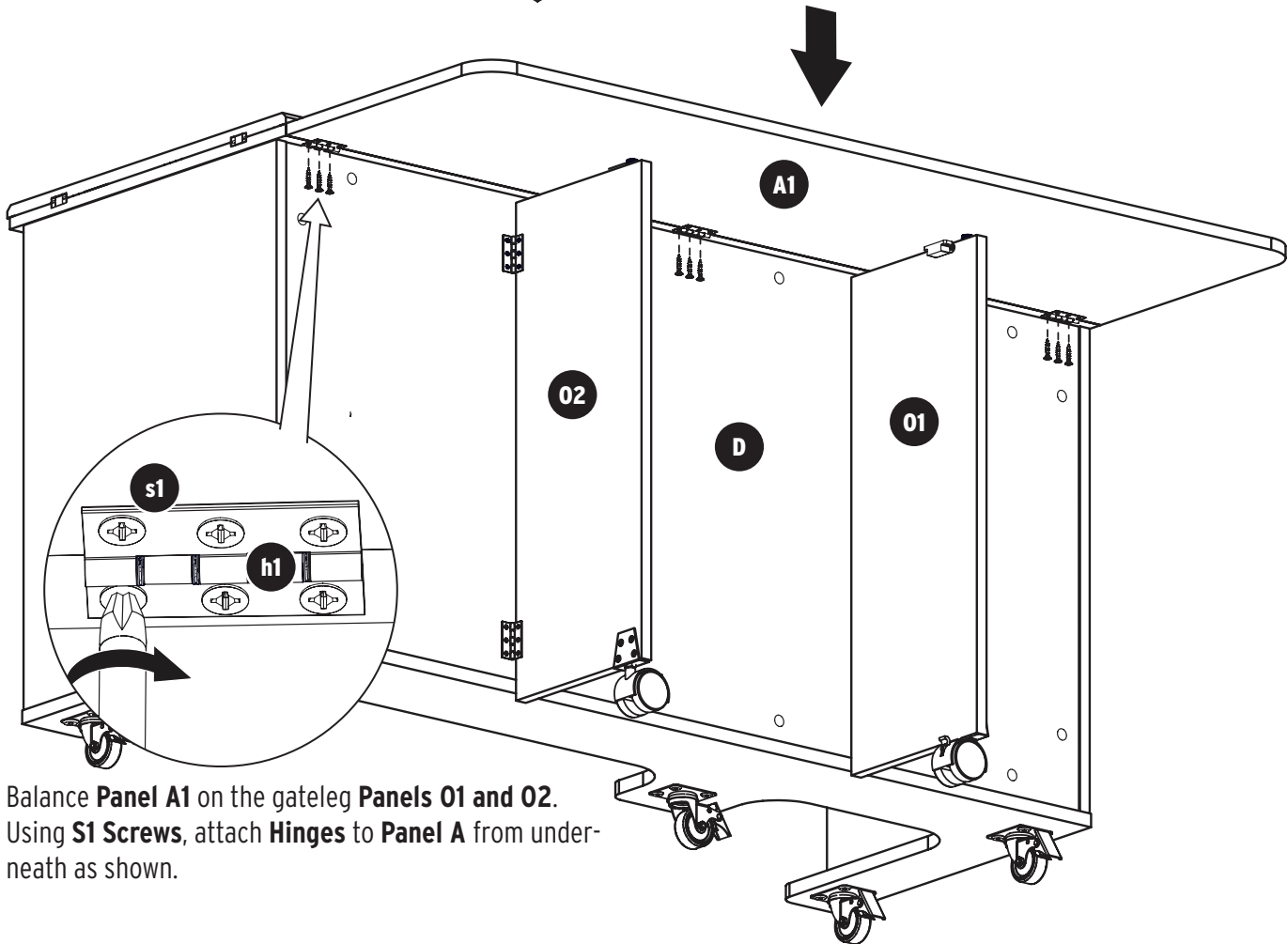


**s1** 3.5x14 Screw **x22**



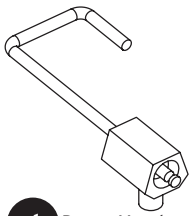
Attach **Magnet** and **Hinges** to **Panel A1** with **S1 Screws** as shown, making sure magnetic strips are pointing toward the edge, not the center.

Attach **h1 Butt Hinges** using **s1 Screws**.

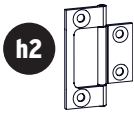


Balance **Panel A1** on the gateleg **Panels 01** and **02**. Using **S1 Screws**, attach **Hinges** to **Panel A** from underneath as shown.

# Main Cabinet Step 6: Cabinet Doors



**d** Door Hook x1



**h2**

Flush Hinge x3



**d3**

Door Plate x2



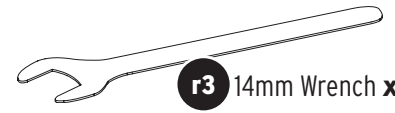
**s2**

3x14 Screw x10



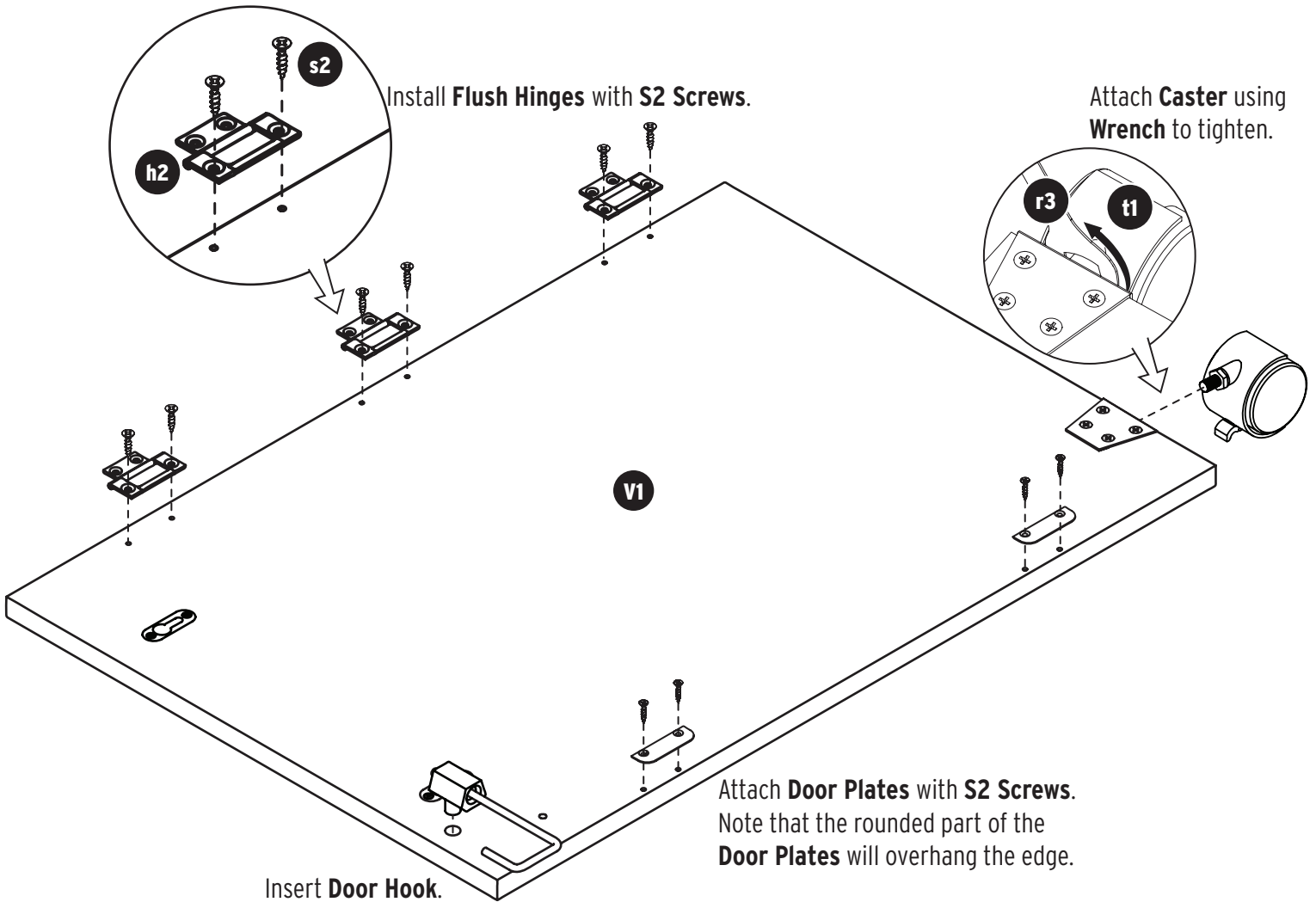
**t1**

Caster x1



**r3**

14mm Wrench x1



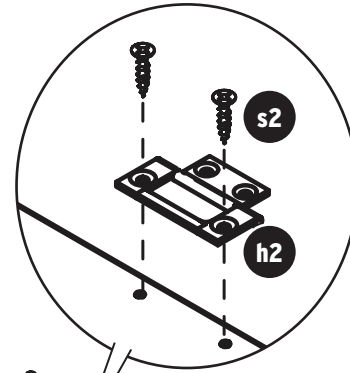
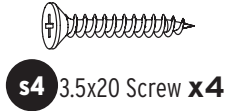
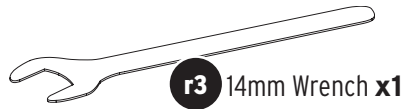
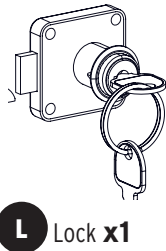
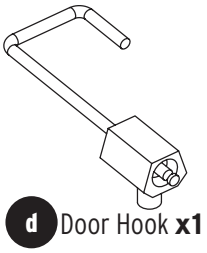
Install **Flush Hinges** with **S2 Screws**.

Attach **Caster** using **Wrench** to tighten.

Attach **Door Plates** with **S2 Screws**.  
Note that the rounded part of the **Door Plates** will overhang the edge.

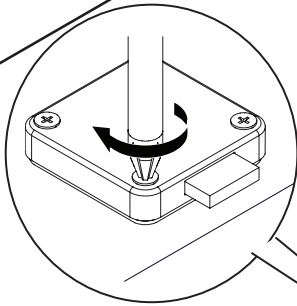
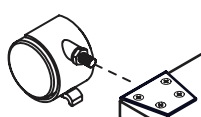
Insert **Door Hook**.  
You may need to tap gently with a hammer to install.

# Main Cabinet Step 6: Cabinet Doors



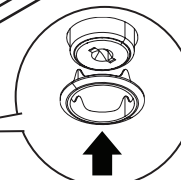
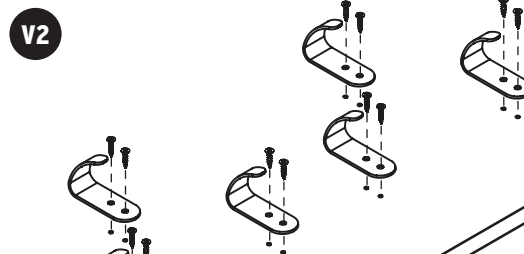
Install **Flush Hinges** with **S2** Screws.

Attach **Caster** using **Wrench** to tighten.



Insert **Door Hook**. You may need to tap gently with a hammer to install.

Attach **Hooks** using **s2** Screws.



Install **Lock** mechanism using **s4** Screws. Press firmly to secure the lock ring to the lock mechanism from the opposite side of the panel.

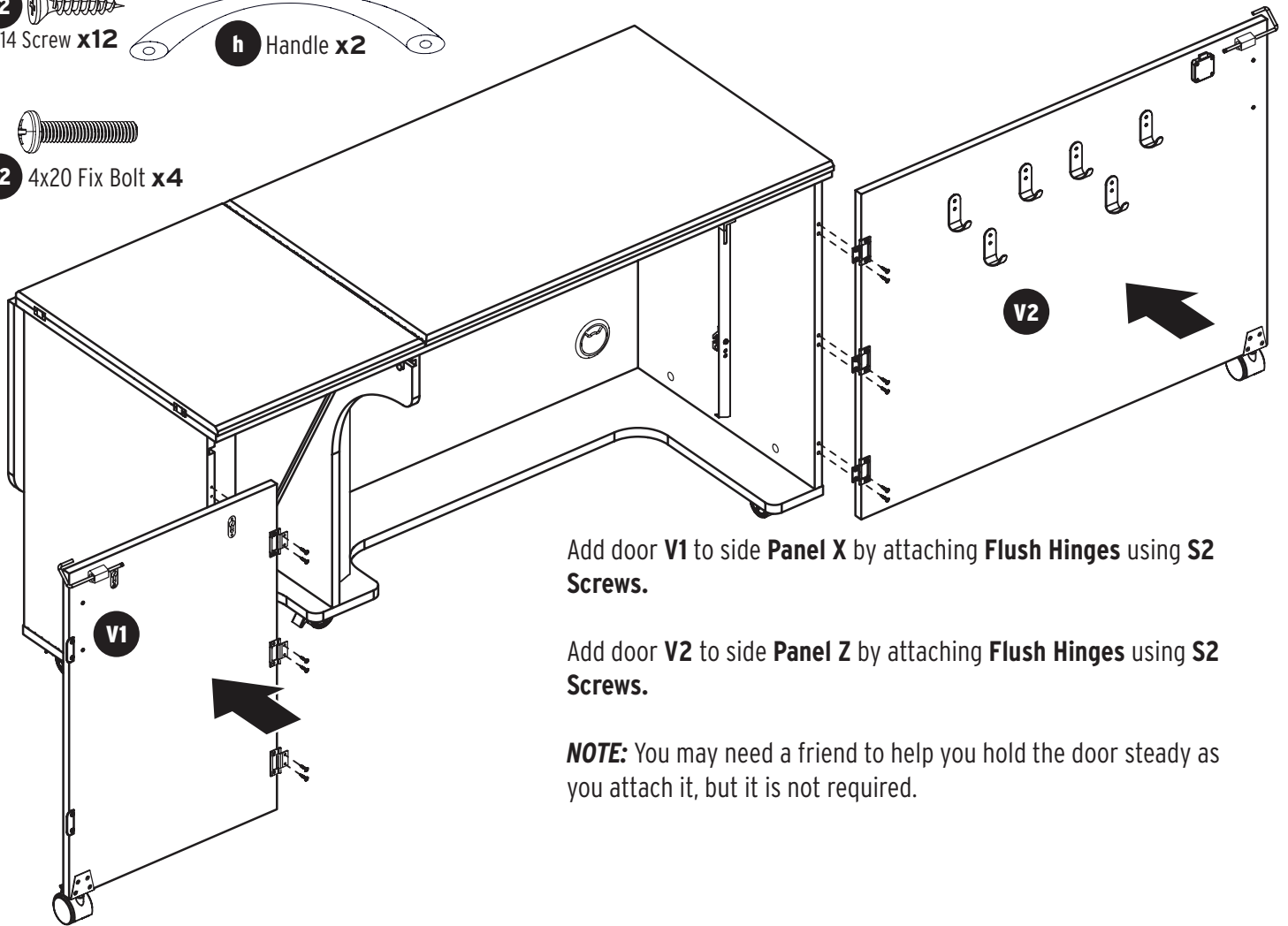


# Main Cabinet Step 6: Cabinet Doors

**s2**  3x14 Screw **x12**

**h**  Handle **x2**

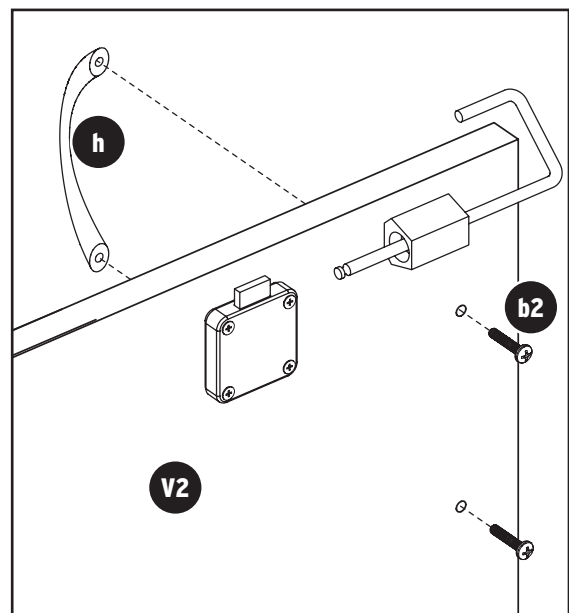
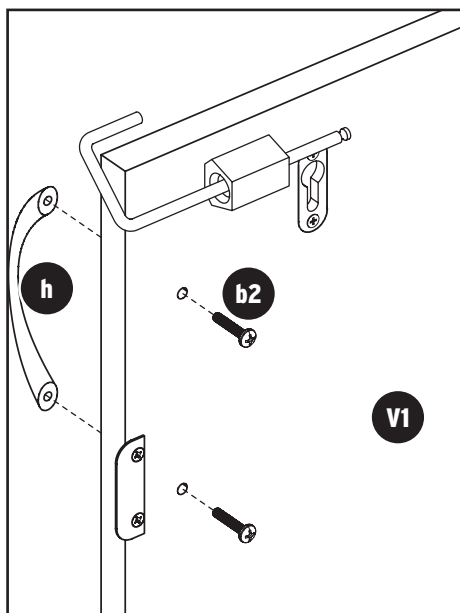
**b2**  4x20 Fix Bolt **x4**



Add door **V1** to side **Panel X** by attaching **Flush Hinges** using **S2 Screws**.

Add door **V2** to side **Panel Z** by attaching **Flush Hinges** using **S2 Screws**.

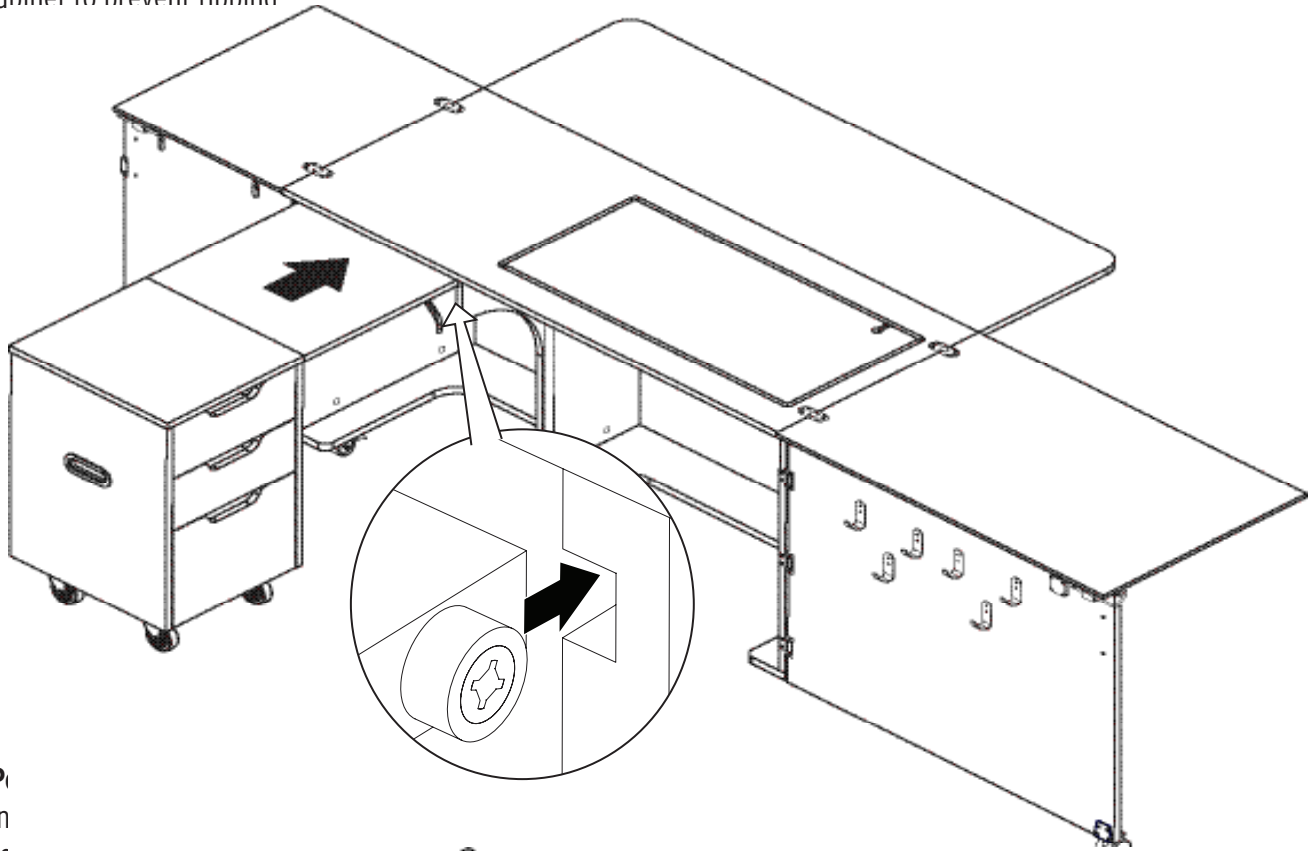
**NOTE:** You may need a friend to help you hold the door steady as you attach it, but it is not required.



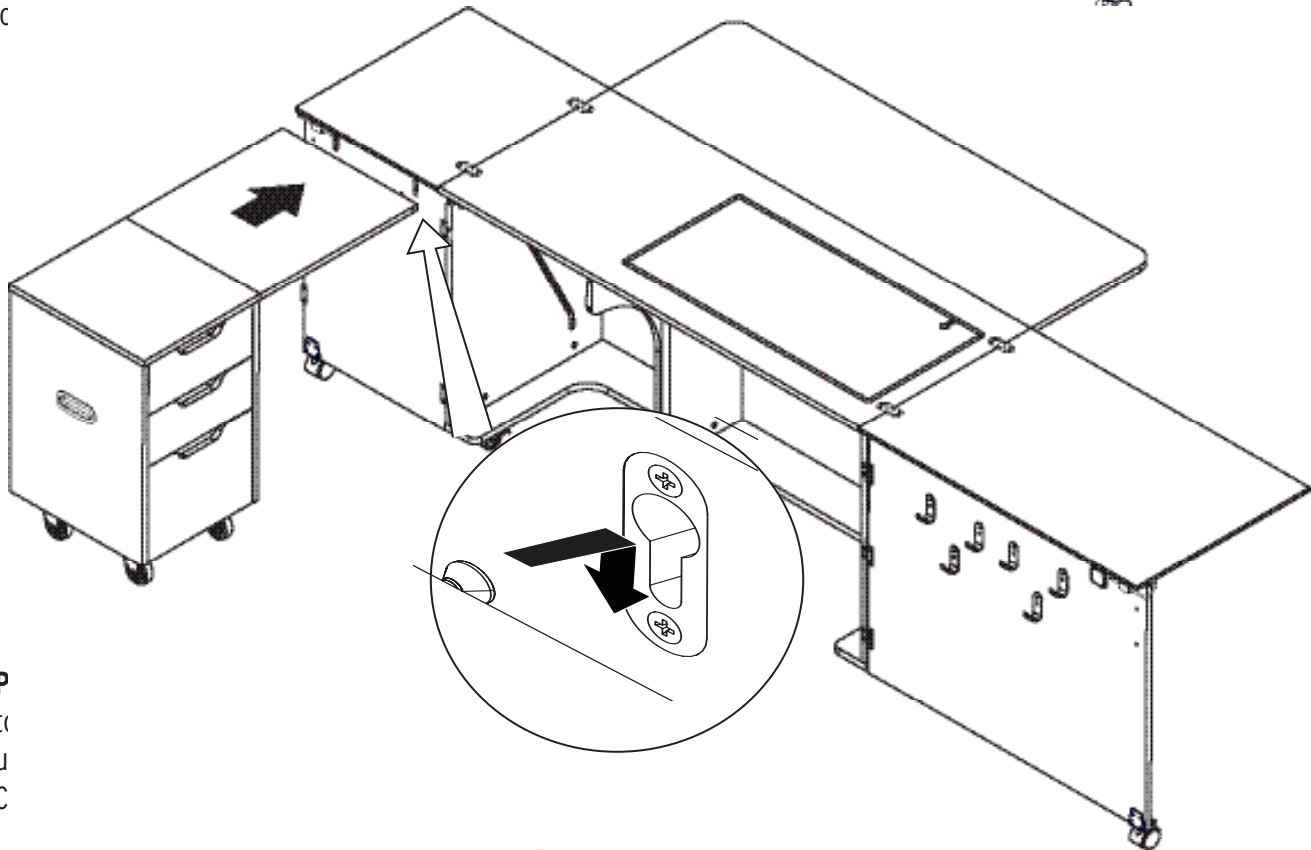
Attach **h Handles** to **Doors V1 and V2**, using **b2 Fix Bolts** to secure.

# Caddy Positioning

Your caddy can be positioned in either of the configurations shown below. Be sure to always have the caddy attached to the cabinet to prevent tipping.



P  
i  
n  
r  
c



P  
t  
u  
c



Congratulations! A better sewing experience awaits!



KANGAROO™  
sewing furniture

## LIMITED LIFETIME WARRANTY

### Kangaroo™ Sewing Furniture Limited Lifetime Warranty

**WHAT THIS WARRANTY COVERS:** Arrow Companies, LLC "Arrow" provides a Limited Lifetime Warranty "Warranty" to the original purchaser of this product against defects in materials or workmanship of furniture components. As used in this Warranty, "defect" means imperfections in components which substantially impair the utility of the product. This Warranty gives you specific legal rights, and you may also have other rights which vary from state to state. Electrical and mechanical components of furniture are warranted for 5 years.

**HOW TO GET SERVICE:** Simply contact Arrow at 1-800-533-7347 or CS@ArrowSewing.com. When you request Warranty service, you must also present proof of purchase documentation, which includes the date of purchase (detailed receipt), and photos of the product. Arrow will replace any defective part (at its sole option), excluding labor. Replacement parts will be warranted for only the remaining period of the original Warranty.

Replacement parts will be shipped freight prepaid on any initial Warranty claim during first year of Warranty only. Warranty applies only to defects confirmed by Arrow and will be replaced or repaired at Arrow's option. In the event parts are no longer available for a Warranty claim, customer may receive a brand new cabinet at a price equal to 60% off the MSRP of a current comparable model.

**WHAT'S NOT COVERED:** There is no Warranty coverage for defects or conditions that result from the following: Failure to follow product assembly instructions, information or warnings; misuse or abuse; intentional damage; fire, flood, alteration or modification of the product; use of the product in a manner inconsistent with its intended use; any condition resulting from incorrect or inadequate maintenance, cleaning, care or neglect; cuts or scratches; caster damage as a result of moving furniture fully loaded or with locked casters; damage resulting from electrical surge or lightning; or use in commercial or education environments. Arrow Sewing Furniture is designed for residential use only.

ARROW SHALL HAVE NO LIABILITY for ANY INCIDENTAL OR CONSEQUENTIAL DAMAGES OF ANY KIND and all such damages are EXCLUDED FROM THIS Warranty, such as loss of use, disassembly, transportation, labor, or damage to property on or near the product. Some states do not allow the exclusion or limitation of incidental or consequential damages, so the above limitation or exclusion may not apply to you. The Warranty cannot be transferred to subsequent owners or users of the product, and it shall be immediately void in the event the product is resold, transferred, leased or rented to any third party or person other than the original purchaser.

**ADDITIONAL LIMITATIONS:** THERE ARE NO OTHER WARRANTIES APPLICABLE TO THIS PRODUCT. Under the laws of certain states, there may be no implied warranties from Arrow and all implied warranties, INCLUDING ANY IMPLIED Warranty OF MERCHANTABILITY OR FITNESS FOR A PARTICULAR PURPOSE are disclaimed where allowed by law. TO THE EXTENT ANY IMPLIED WARRANTIES ARE APPLICABLE, ANY IMPLIED WARRANTIES, INCLUDING ANY IMPLIED Warranty OF MERCHANTABILITY OR FITNESS FOR A PARTICULAR PURPOSE, ARE LIMITED IN DURATION TO THE DURATION OF THIS EXPRESS Warranty or the minimum period allowed by law, whichever is shorter. Some states do not allow limitations on how long an implied Warranty lasts, so the above limitation may not apply to you. This limited Warranty gives you specific legal rights. This limited Warranty does not, in any way, affect the rights given to you by law.

**REGISTER YOUR PRODUCT:** Original purchaser should register the purchase online at [www.ArrowSewing.com/Warranty](http://www.ArrowSewing.com/Warranty).

SEW IN COMFORT. SEW LONGER.™

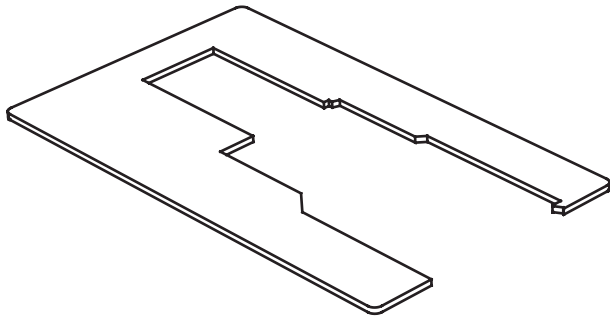


**KANGAROO**<sup>TM</sup>  
sewing furniture

## Accessories to Complete Your Sewing Studio

### Custom Insert

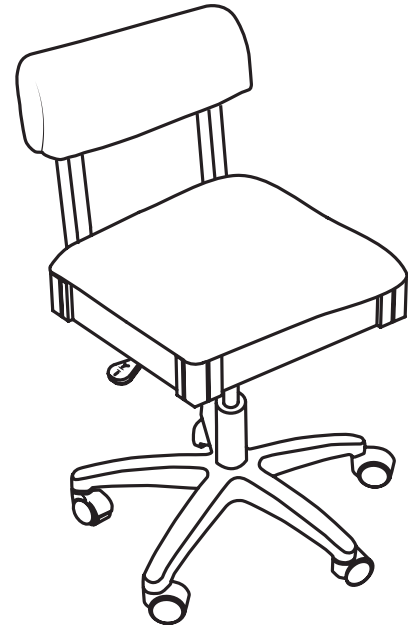
Enhance your sewing experience with a custom acrylic sewing insert! Custom acrylic sewing inserts are designed to fill the gap between your sewing machine and sewing cabinet's lift opening to create a flush, ergonomic surface for flat bed sewing. To ensure a perfect fit, custom acrylic sewing inserts are built specifically for your sewing machine and sewing cabinet combination. Say hello to happy wrists, straighter stitches, and an elevated sewing experience!



Insert

### Arrow Sewing Chairs

Arrow's #1 Rated Height Adjustable Sewing Chair is a must have accessory for your dream sewing room! Cute, comfortable and convenient - our lovable sewing chairs feature vibrant sewing themed patterns, 360 swivel access and lumbar support for long hours at your workstation. Don't look now, but under every seat cushion is a hidden storage compartment to store your notions and patterns! Available in 10 colors to perfectly match your sewing sanctuary!



Height Adjustable Sewing Chair

P.O. Box 410 Elkhorn, WI 53121  
1-800-533-7347 Ext. 1  
CS@ArrowSewing.com  
www.ArrowSewing.com

05-22

**SEW IN COMFORT. SEW LONGER.<sup>TM</sup>**