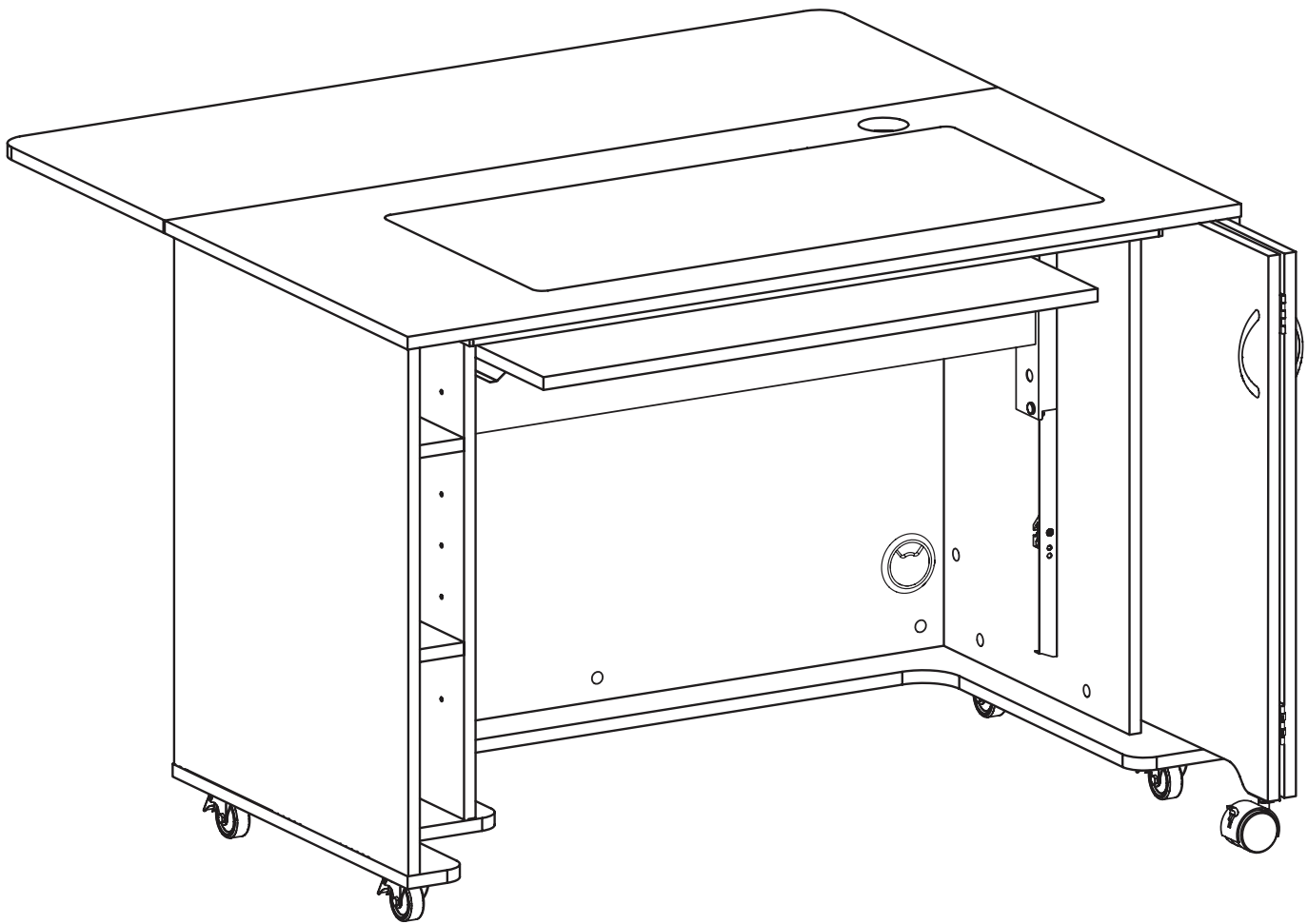




## ASSEMBLY INSTRUCTIONS

# Mod XL

**ITEM NO.:** 2071 Hydraulic Lift  
2061 Electric Lift



# General Assembly Guidelines

1. Read the instructions carefully before beginning the assembly process to ensure proper assembly of this product. Please open and inspect the contents of box(es) to see that all parts and hardware are included.

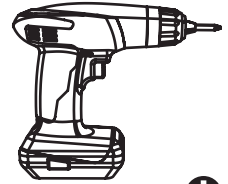
## 2. Tools Required



Phillips Screwdriver ⊕

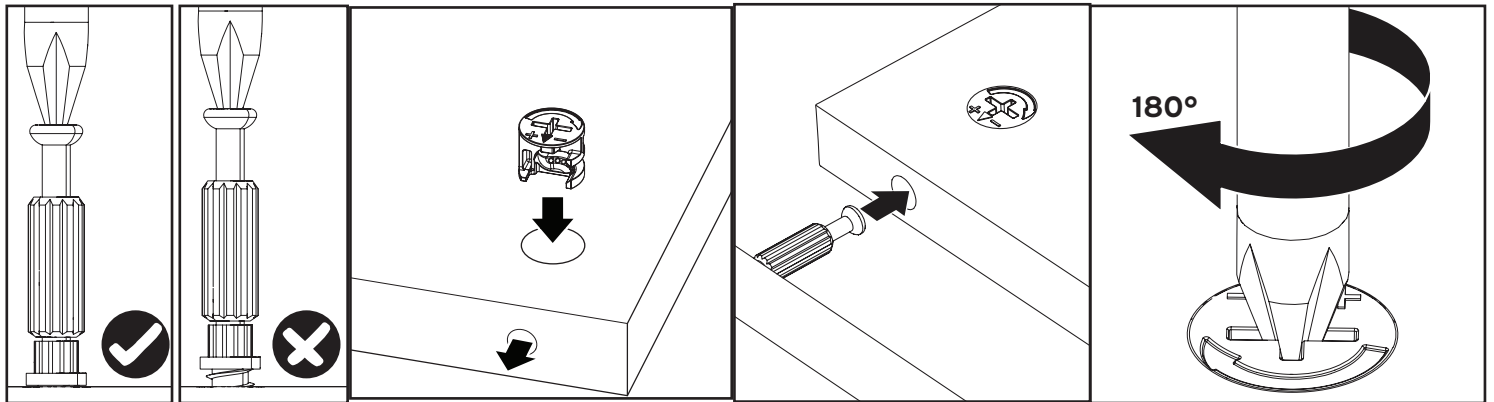


Hammer



Electric Screwdriver ⊕  
Torque set to 3-5

## 3. Understanding How the Cam Fastener Works



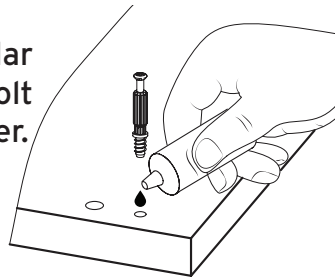
Screw cam bolts flush as illustrated.

Press cam into hole until flush with surface. The arrow direction must be in the direction of the hole.

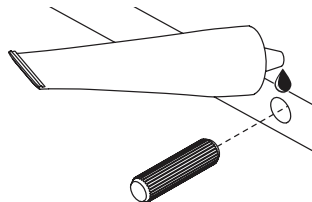
Insert bolt through pre-drilled hole in edge of panel.

Turn clockwise to lock cam with bolt.

**Tip:** place a small bit of WD-40 or similar lubricant into the pre-installed cam bolt holes to help the cam bolts screw in better.



4. **Glue** provided is to secure wood dowels in place and is optional. If glue is used during assembly, locate the appropriate hole for the dowel, place a small amount of glue in the hole and insert the dowel. Wipe away excess glue immediately. It is not necessary to glue the other end of the dowel when attaching to other parts.

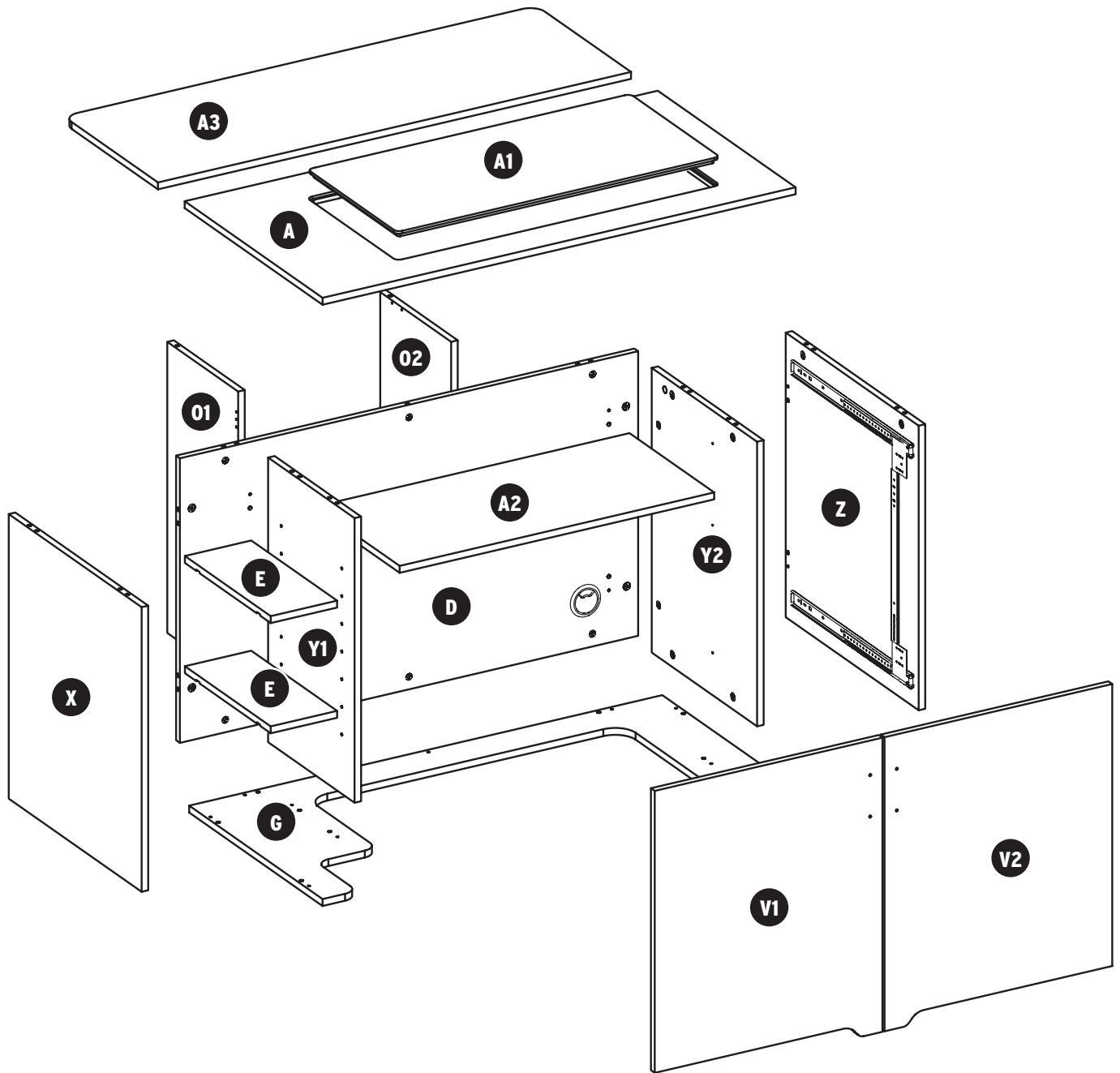


**Use and Care** Your cabinet normally requires a minimum amount of maintenance; however, the following points are worth noting:

**Cleaning** - To remove marks and enhance the surface, wipe with a gentle all-purpose cleanser. **DO NOT** use ammonia-based, harsh chemicals or abrasive cleaning agents. Wipe dry immediately.

**Electrical and Hydraulic Lifts** - Require annual lubrication with WD-40 or similar lubricant.

# Parts List: Panels



| ITEM | DESCRIPTION        | QTY. | PACK.  | ITEM | DESCRIPTION         | QTY. | PACK.  |
|------|--------------------|------|--------|------|---------------------|------|--------|
| V1   | Left Door Panel    | 1    | 1 of 3 | A1   | Cover Panel         | 1    | 2 of 3 |
| V2   | Right Door Panel   | 1    | 1 of 3 | G    | Bottom              | 1    | 2 of 3 |
| Y2   | Right Inside Panel | 1    | 1 of 3 | E    | Shelves             | 2    | 2 of 3 |
| Y1   | Left Inside Panel  | 1    | 1 of 3 | D    | Back Panel          | 1    | 2 of 3 |
| X    | Left Side Panel    | 1    | 1 of 3 | A3   | Quilt Leaf Panel    | 1    | 3 of 3 |
| Z    | Right Side Panel   | 1    | 1 of 3 | O1   | Left Gateleg Panel  | 1    | 3 of 3 |
| A    | Top Panel          | 1    | 2 of 3 | O2   | Right Gateleg Panel | 1    | 3 of 3 |
| A2   | Lift Platform      | 1    | 2 of 3 |      |                     |      |        |

# Parts List: Hardware

**TIP: Keep all the parts in their individually labeled bags. This will make finding parts easier as you assemble your cabinet.**



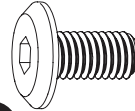
**c1** 6x35 Cam Bolt **x27**



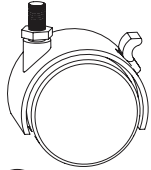
**d1** 8x30 Dowel Pin **x28**



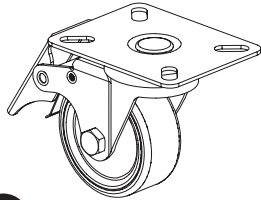
**c2** 5/8" Cam Cover **x27**



**b1** 8x16 Fix Bolt **x16**



**t1** Caster **x3**



**t2** Locking Plate Caster **x4**



**s20** 5x60 Screw **x2**



**s7** 6x6 Screw **x4**



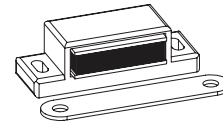
**s1** 3.5x14 Screw **x80**



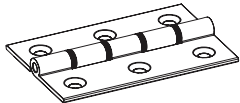
**h** Handle **x2**



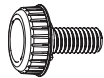
**b2** 4x20 Fix Bolt **x4**



**m** Magnet **x1**  
Catch Plate **x1**



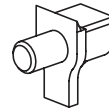
**h1** Butt Hinge **x9**



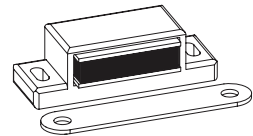
**s3** Alignment Pin **x2**



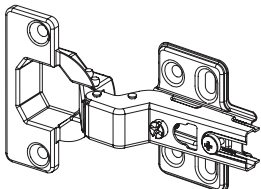
**s2** 5x30 Screw **x5**



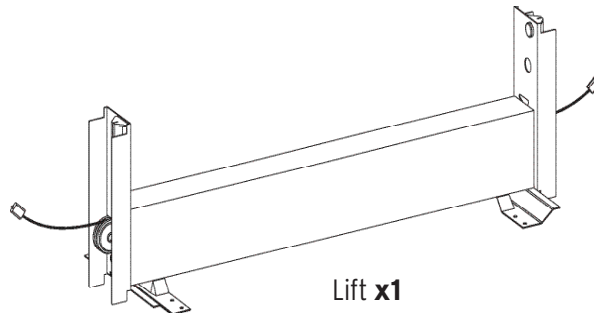
**p1** Peg **x8**



**m1** Magnet **x2**  
Catch Plate **x2**



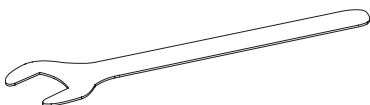
**g1** Hinge Body **x2**



Lift **x1**



Metal Support Bar **x1**



**r3** 14mm Wrench **x1**



**a** Allen Wrench **x1**



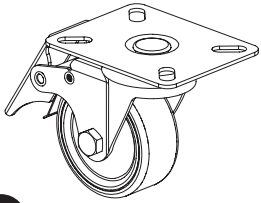
Lift Rail  
(Left) **x1**



Lift Rail  
(Right) **x1**

# Part 1: Main Cabinet

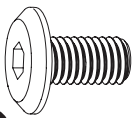
Congratulations and welcome to Kangaroo Sewing Furniture! We can't wait to get your brand new Mod XL Sewing Cabinet up and running. Please contact our Customer Service Team at 1-800-533-7347 ext. 1 during normal business hours with any assembly related questions.



**t2** Locking Plate Caster **x4**

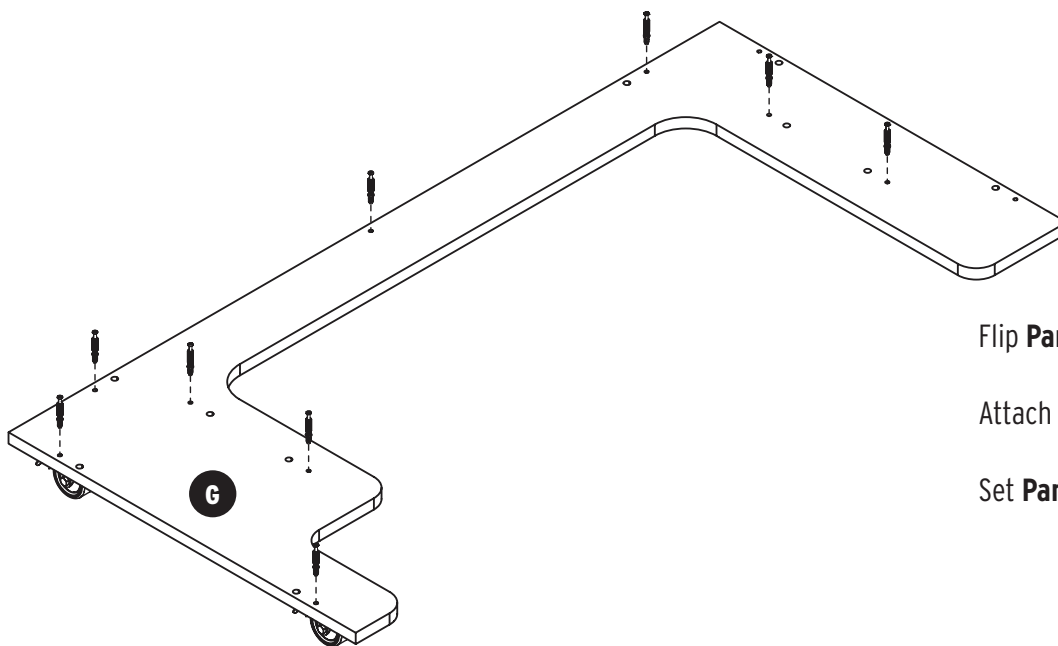
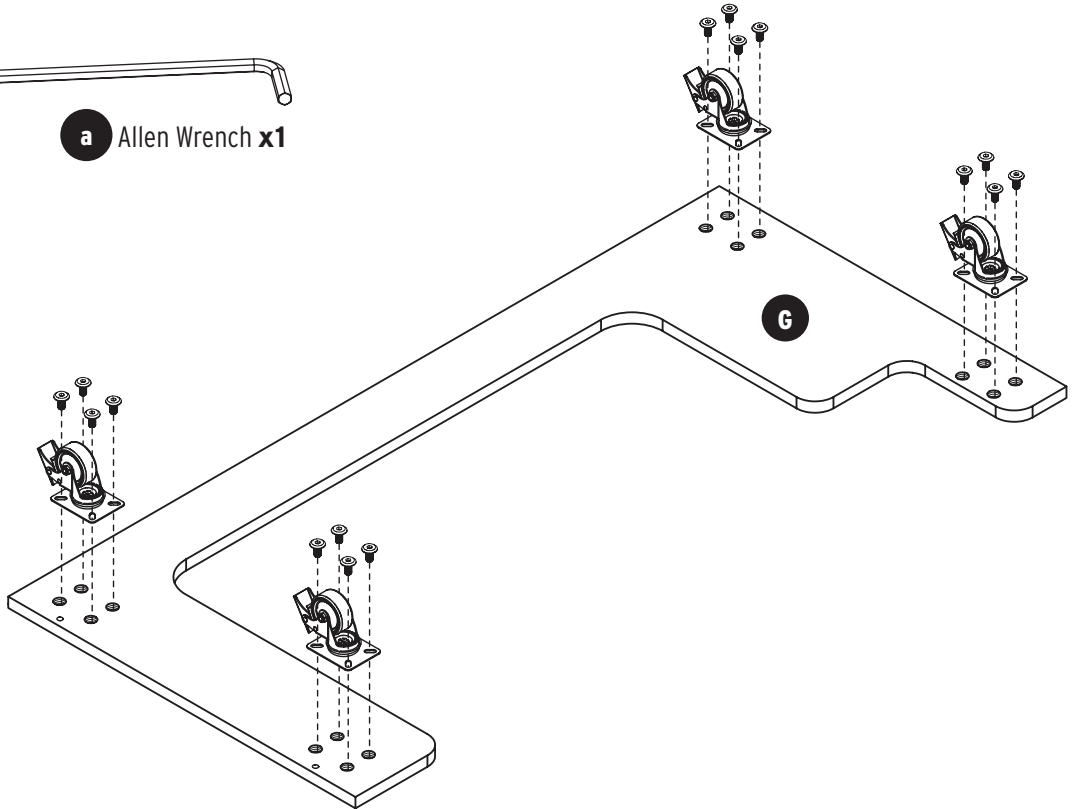


**a** Allen Wrench **x1**



**b1** 8x16 Fix Bolt **x16**

Attach **t2 Locking Plate Casters** to the underside of **Panel G**, using **b1 Fix Bolts**. Tighten with **Allen Wrench**.



**c1** 6x35 Cam Bolt **x9**

Flip **Panel G** over.

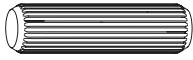
Attach **c1 Cam Bolts** to **Panel G**.

Set **Panel G** aside.

# Part 1: Main Cabinet



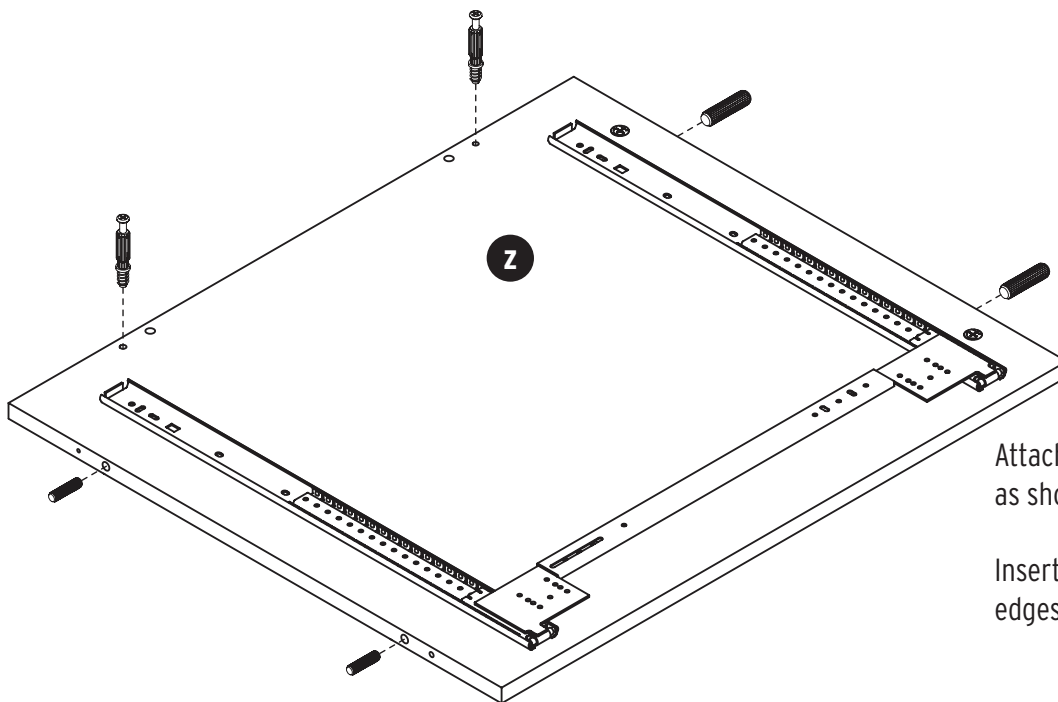
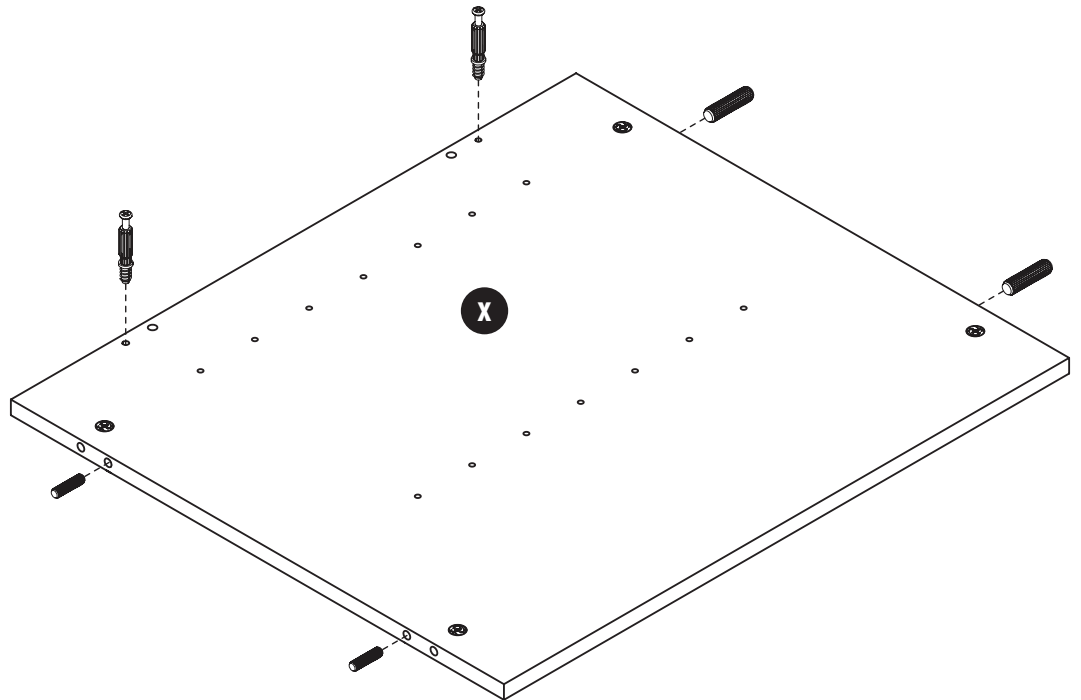
**c1** 6x35 Cam Bolt **x4**



**d1** 8x30 Dowel Pin **x8**

Attach 2 **c1 Cam Bolts** to **Panel X** as shown.

Insert 4 **d1 Dowel Pins** into the edges of **Panel X** as shown.



Attach 2 **c1 Cam Bolts** to **Panel Z** as shown.

Insert 4 **d1 Dowel Pins** into the edges of **Panel Z** as shown.

# Part 1: Main Cabinet



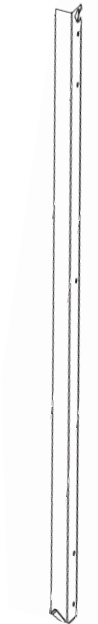
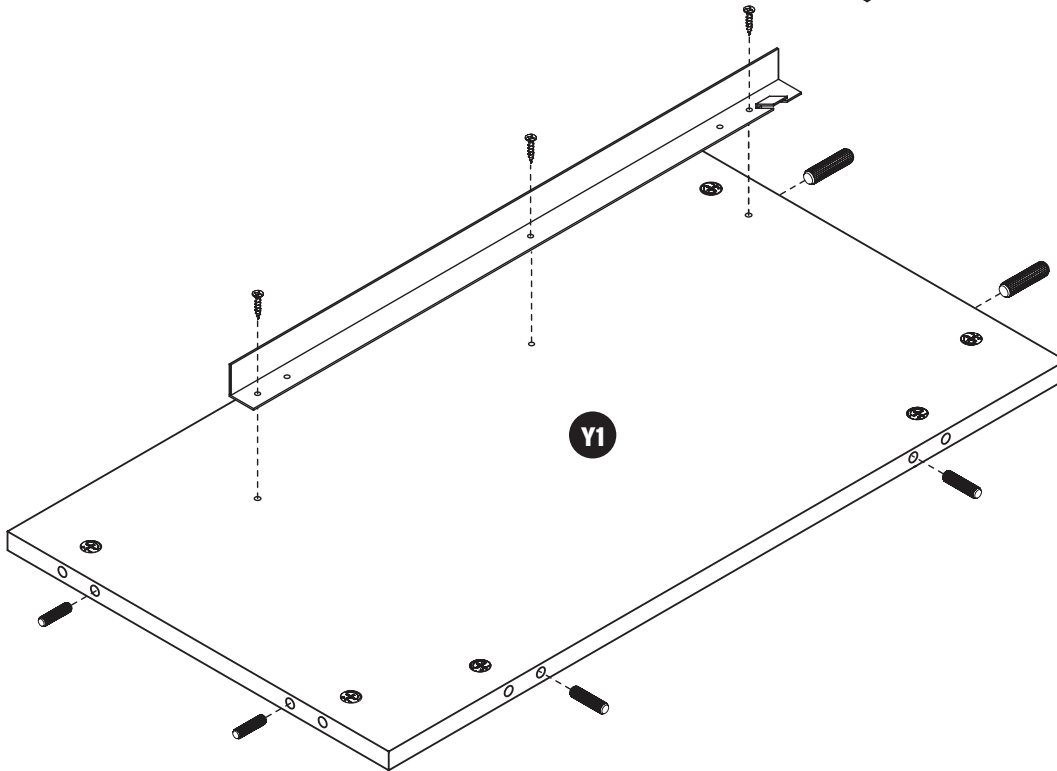
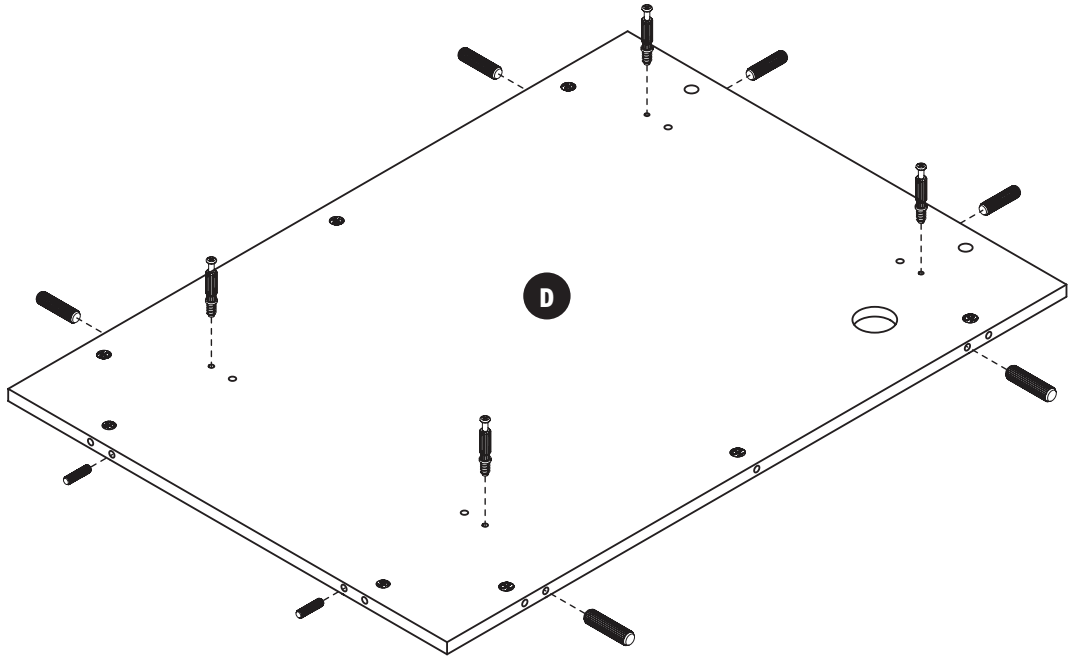
**c1** 6x35 Cam Bolt **x4**



**d1** 8x30 Dowel Pin **x14**

Attach **c1 Cam Bolts** to **Panel D** as shown.

Insert **d1 Dowel Pins** into the edges of **Panel D** as shown.



Lift Rail (Left) **x1**

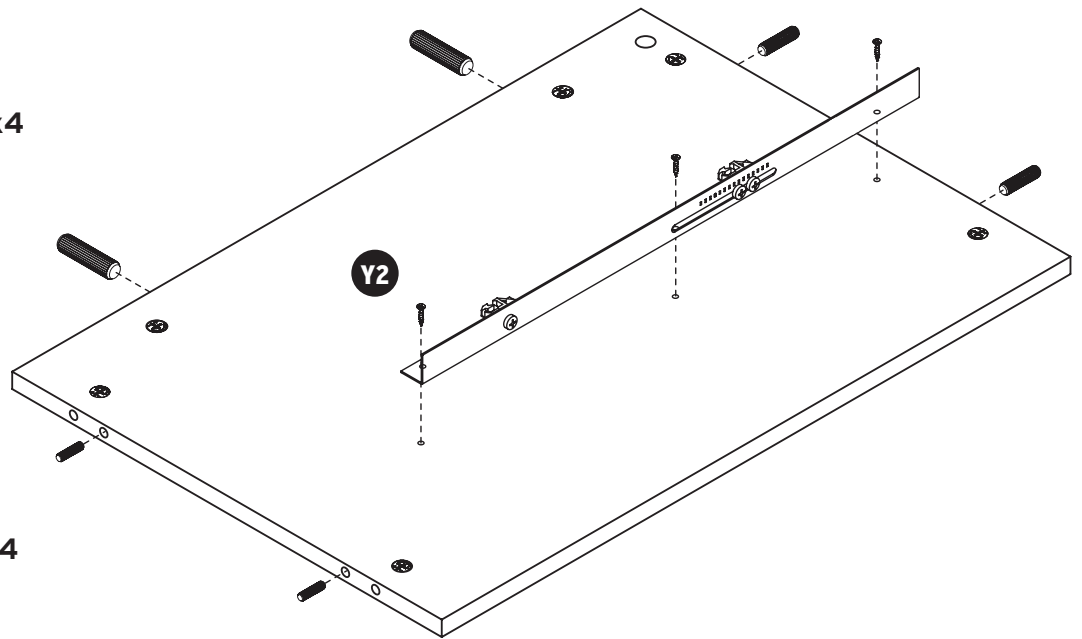
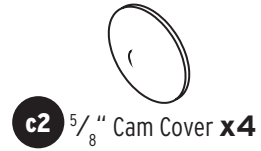
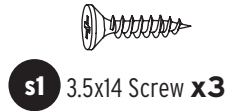
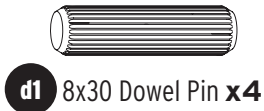
Attach the **Left Lift Rail** to **Panel Y1** with **s1 Screws** as shown. Insert **d1 Dowel Pins** into the edges of **Panel Y1** as shown.



**s1** 3.5x14 Screw **x3**

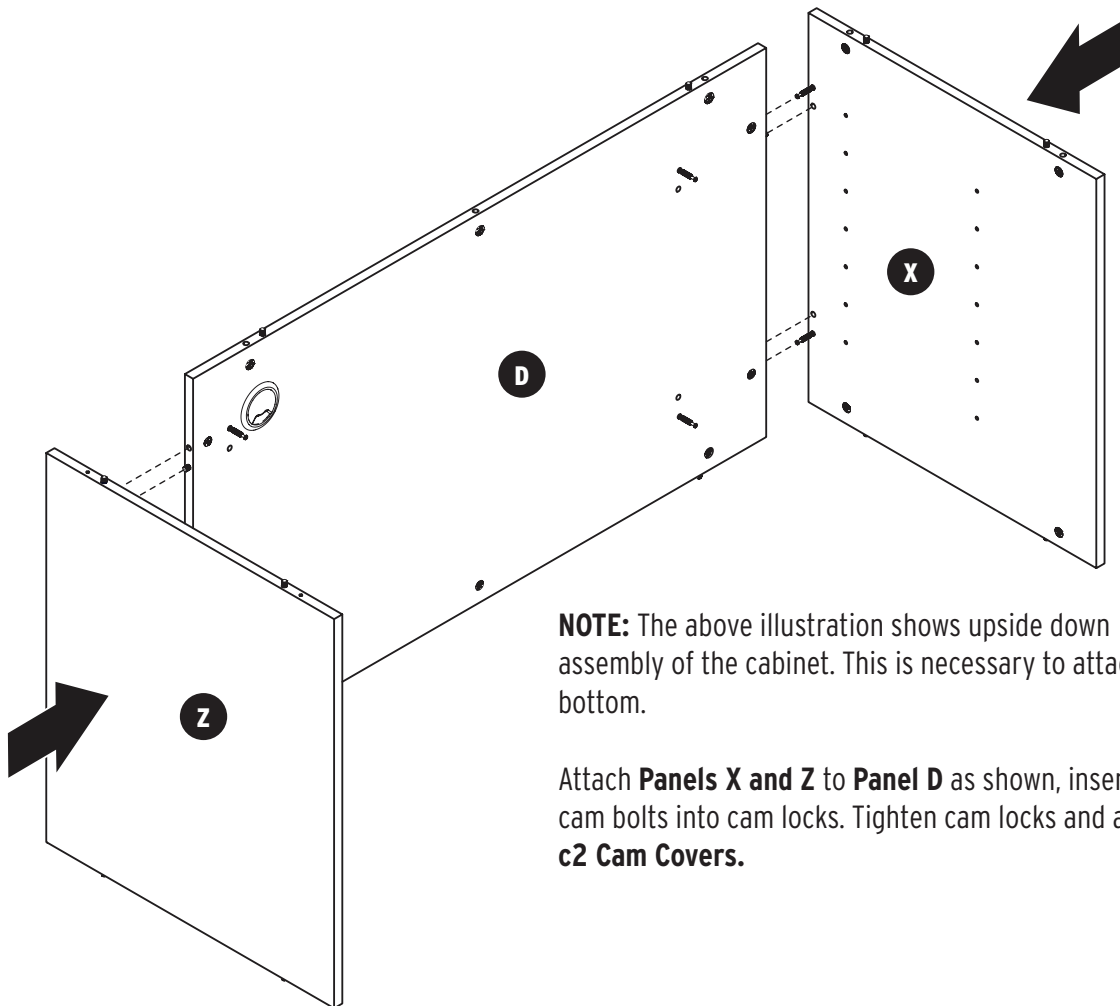
**TIP:** Spray a small amount of WD-40 or similar lubricant onto a paper towel and wipe the newly installed rails. This will make lift installation and operation easier.

# Part 1: Main Cabinet



Attach the **Right Lift Rail** to **Panel Y2** with **s1 Screws** as shown.

**TIP:** Spray a small amount of WD-40 or similar lubricant onto a paper towel and wipe the newly installed rails. This will make lift installation and operation easier.

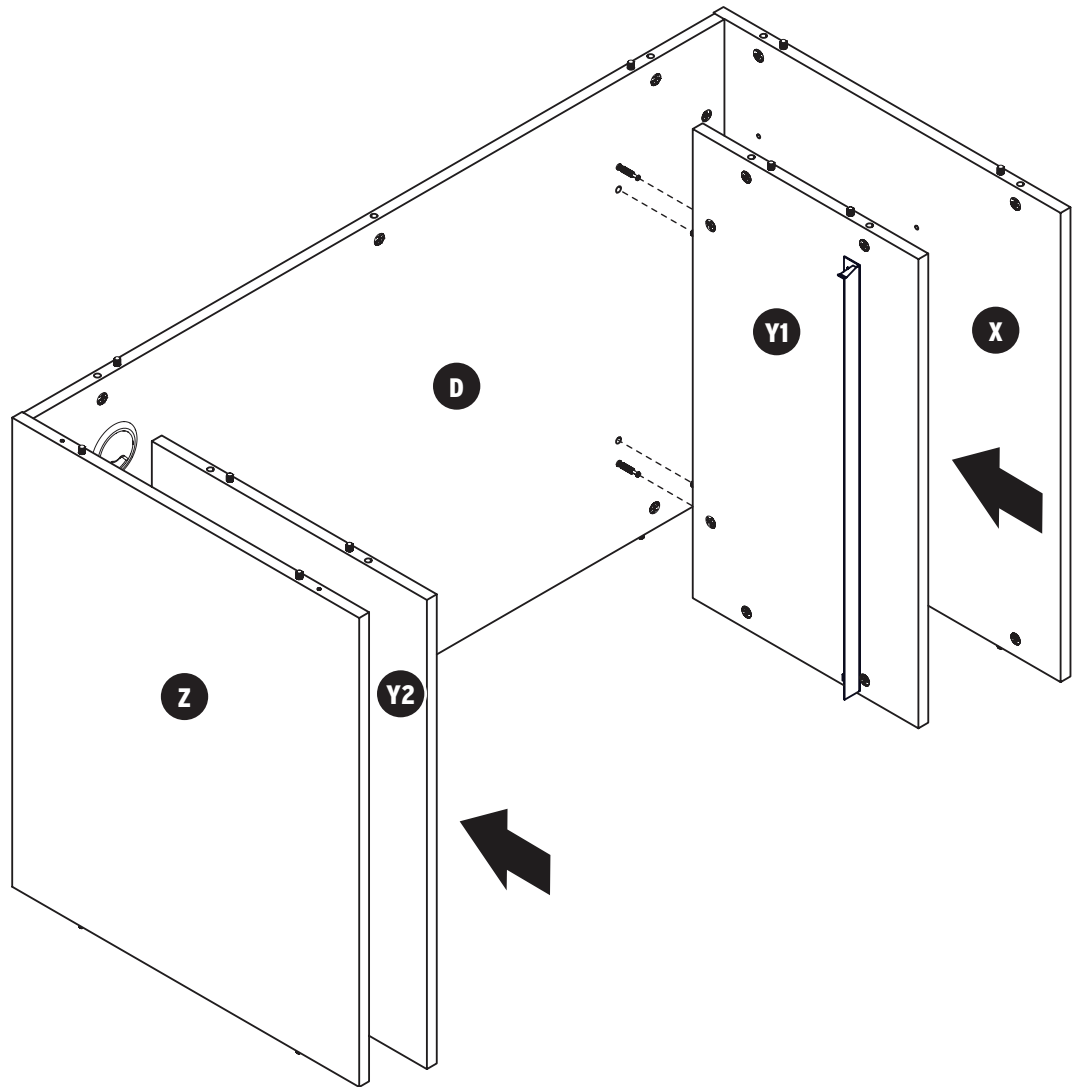


**NOTE:** The above illustration shows upside down assembly of the cabinet. This is necessary to attach the bottom.

Attach **Panels X and Z** to **Panel D** as shown, inserting cam bolts into cam locks. Tighten cam locks and apply **c2 Cam Covers**.

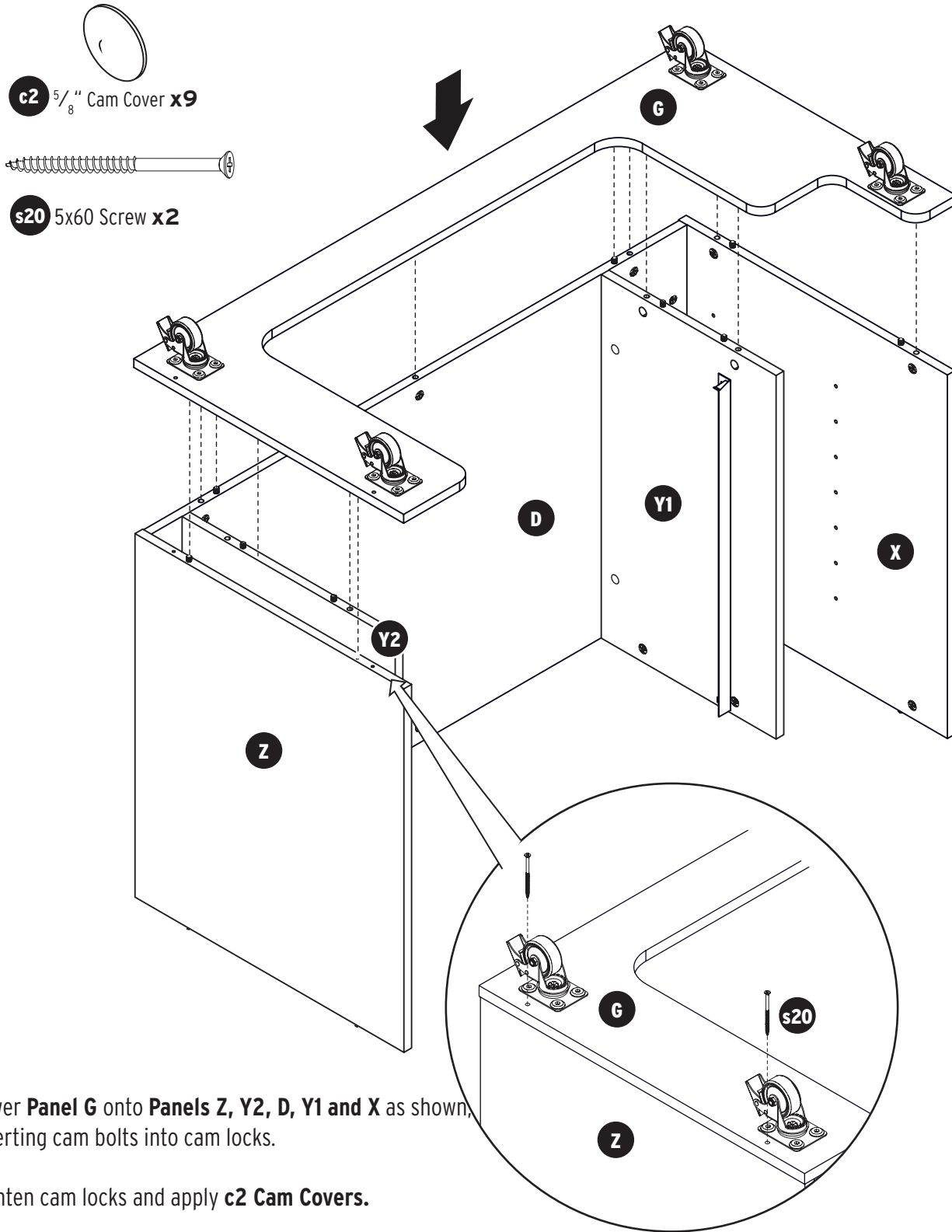


# Part 1: Main Cabinet



Attach **Panels Y1 and Y2** to **Panel D** as shown, inserting cam bolts into cam locks. Tighten cam locks and apply **c2 Cam Covers**.

# Part 1: Main Cabinet



Lower **Panel G** onto **Panels Z, Y2, D, Y1 and X** as shown, inserting cam bolts into cam locks.

Tighten cam locks and apply **c2 Cam Covers**.

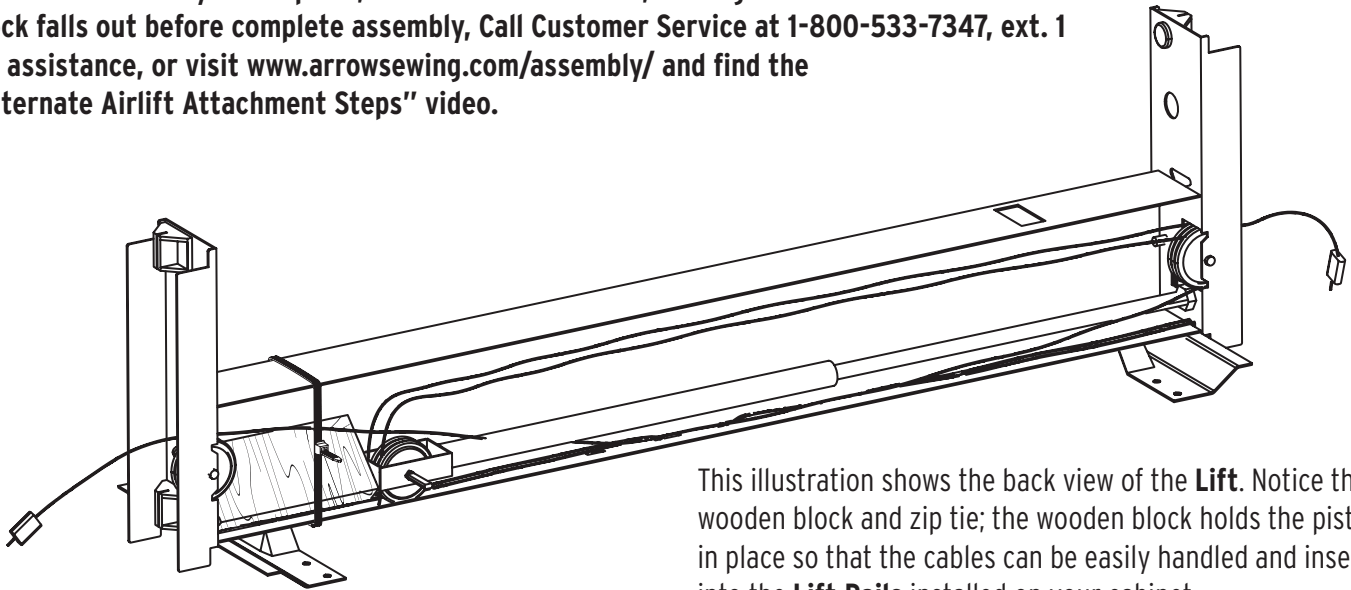
Attach **Panel G** to **Panel Z** using **s20 Screws** as shown.

Make sure casters are locked and flip cabinet over onto its casters. You may need a friend to help you, but it is not required.

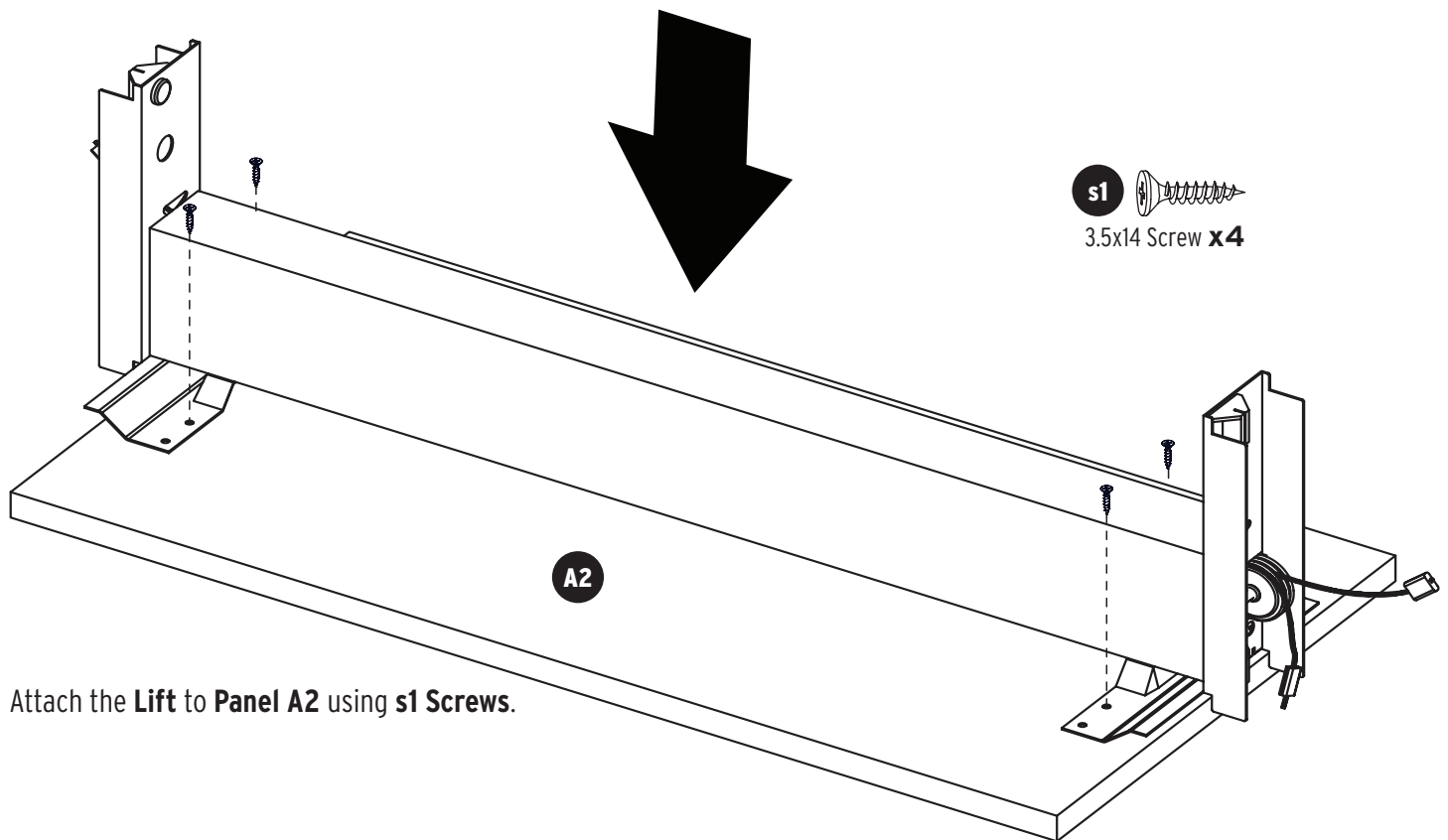
## Part 2: Lift

### LIFT INSTALLATION WARNING:

DO NOT remove the small wooden block from the Lift until assembly is complete. If the block is removed or falls out before lift assembly is complete, the cables will retract, making installation difficult. If the block falls out before complete assembly, Call Customer Service at 1-800-533-7347, ext. 1 for assistance, or visit [www.arrowsewing.com/assembly/](http://www.arrowsewing.com/assembly/) and find the "Alternate Airlift Attachment Steps" video.

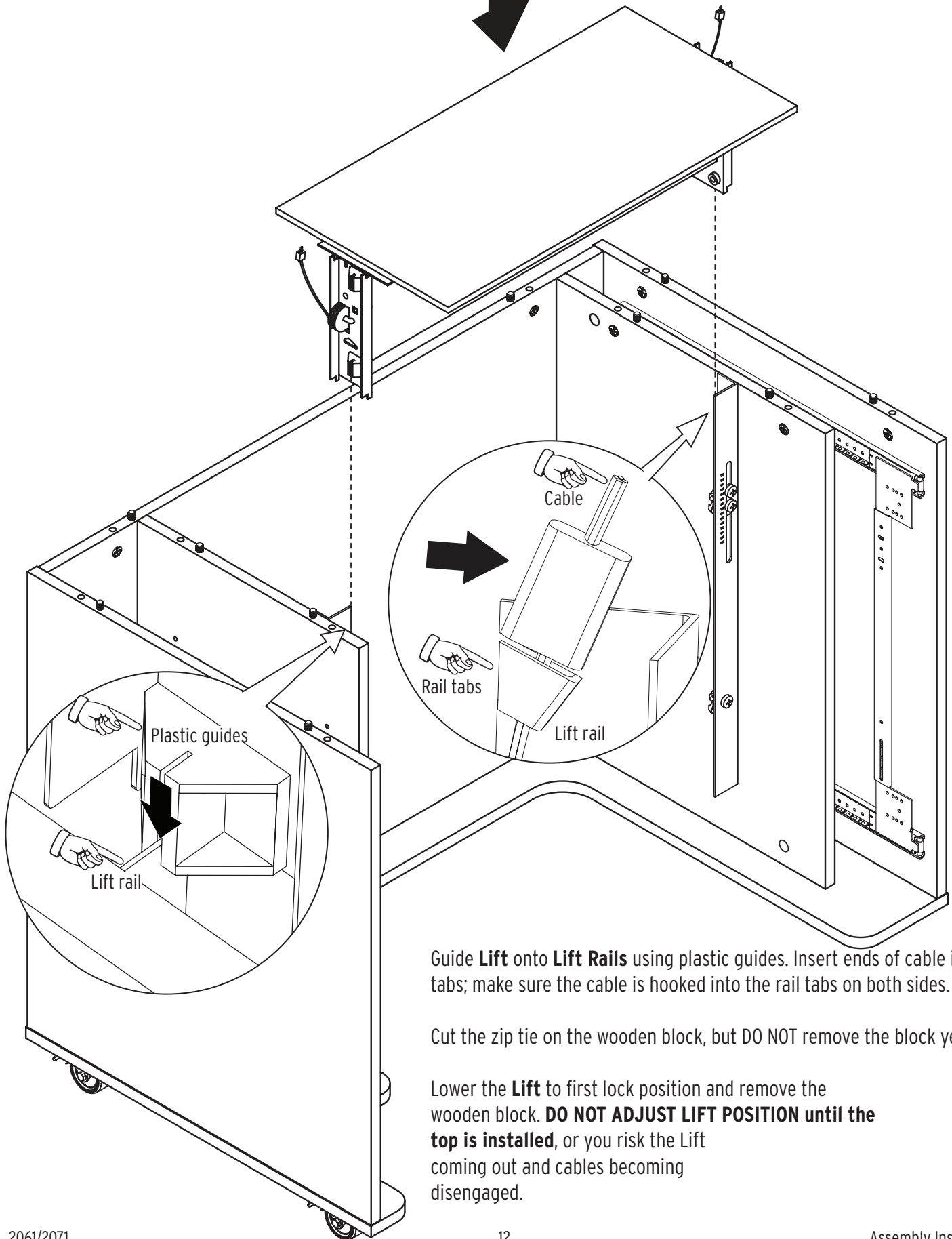


This illustration shows the back view of the **Lift**. Notice the wooden block and zip tie; the wooden block holds the piston in place so that the cables can be easily handled and inserted into the **Lift Rails** installed on your cabinet.



Attach the **Lift** to **Panel A2** using **s1 Screws**.

## Part 2: Lift



Guide **Lift** onto **Lift Rails** using plastic guides. Insert ends of cable into rail tabs; make sure the cable is hooked into the rail tabs on both sides.

Cut the zip tie on the wooden block, but **DO NOT** remove the block yet.

Lower the **Lift** to first lock position and remove the wooden block. **DO NOT ADJUST LIFT POSITION until the top is installed**, or you risk the Lift coming out and cables becoming disengaged.

# Part 3: Top and Shelves



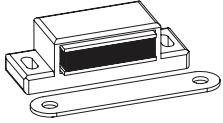
**c1** 6x35 Cam Bolt **x10**



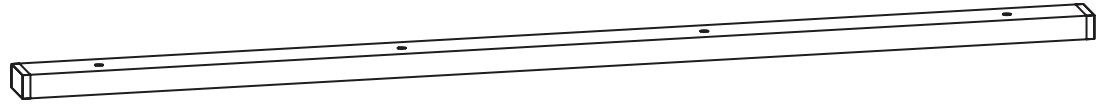
**s2** 5x30 Screw **x5**



**s1** 3.5x14 Screw **x2**

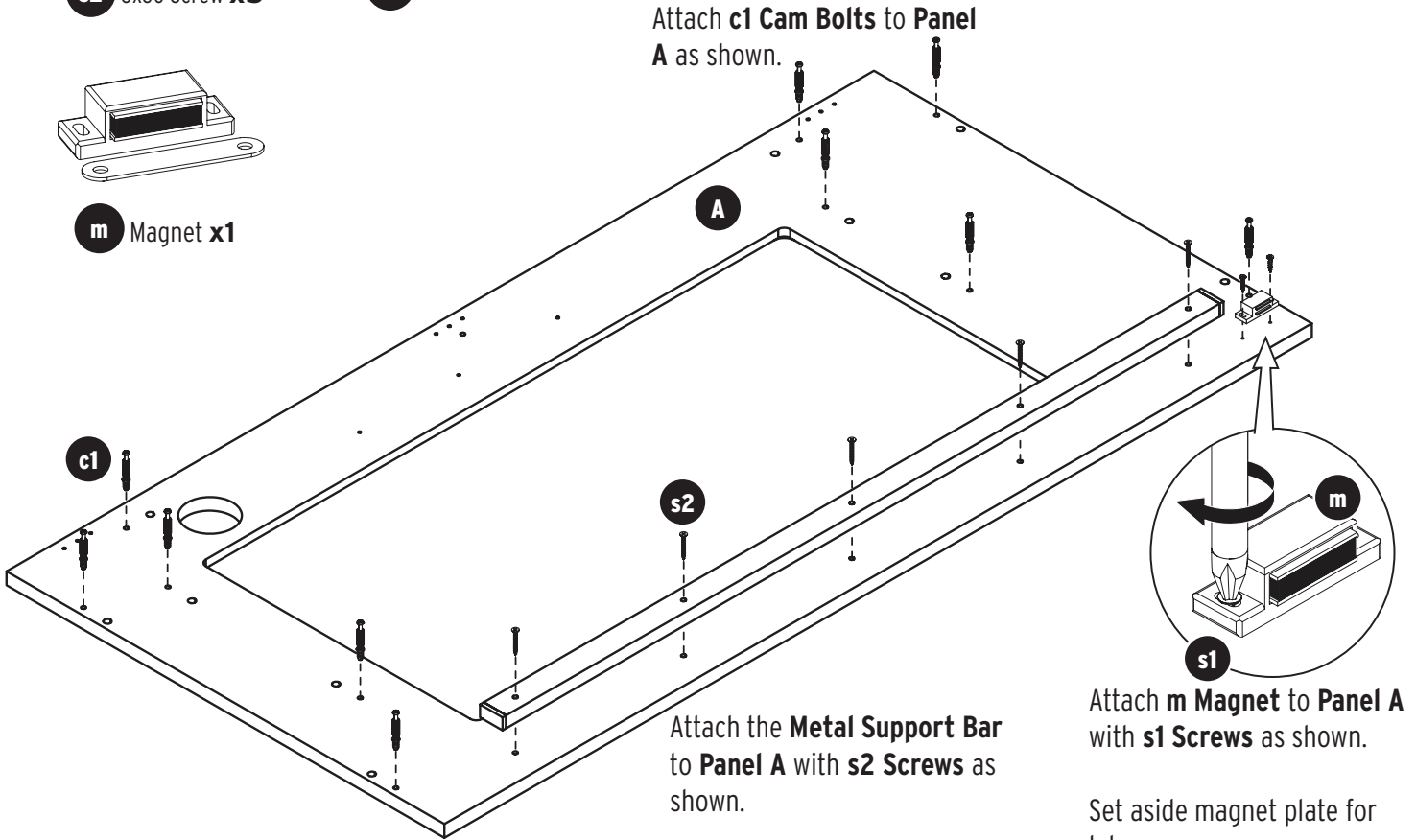


**m** Magnet **x1**



Metal Support Bar **x1**

Attach **c1** Cam Bolts to Panel **A** as shown.

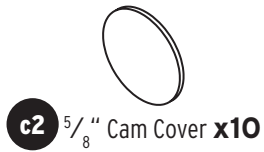


Attach the **Metal Support Bar** to **Panel A** with **s2** Screws as shown.

Attach **m** Magnet to **Panel A** with **s1** Screws as shown.

Set aside magnet plate for later use.

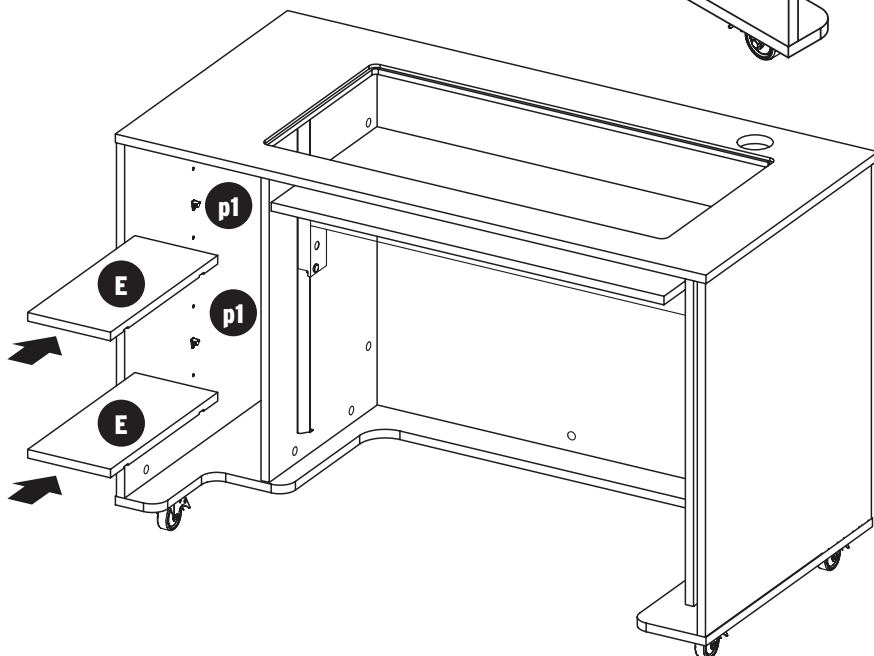
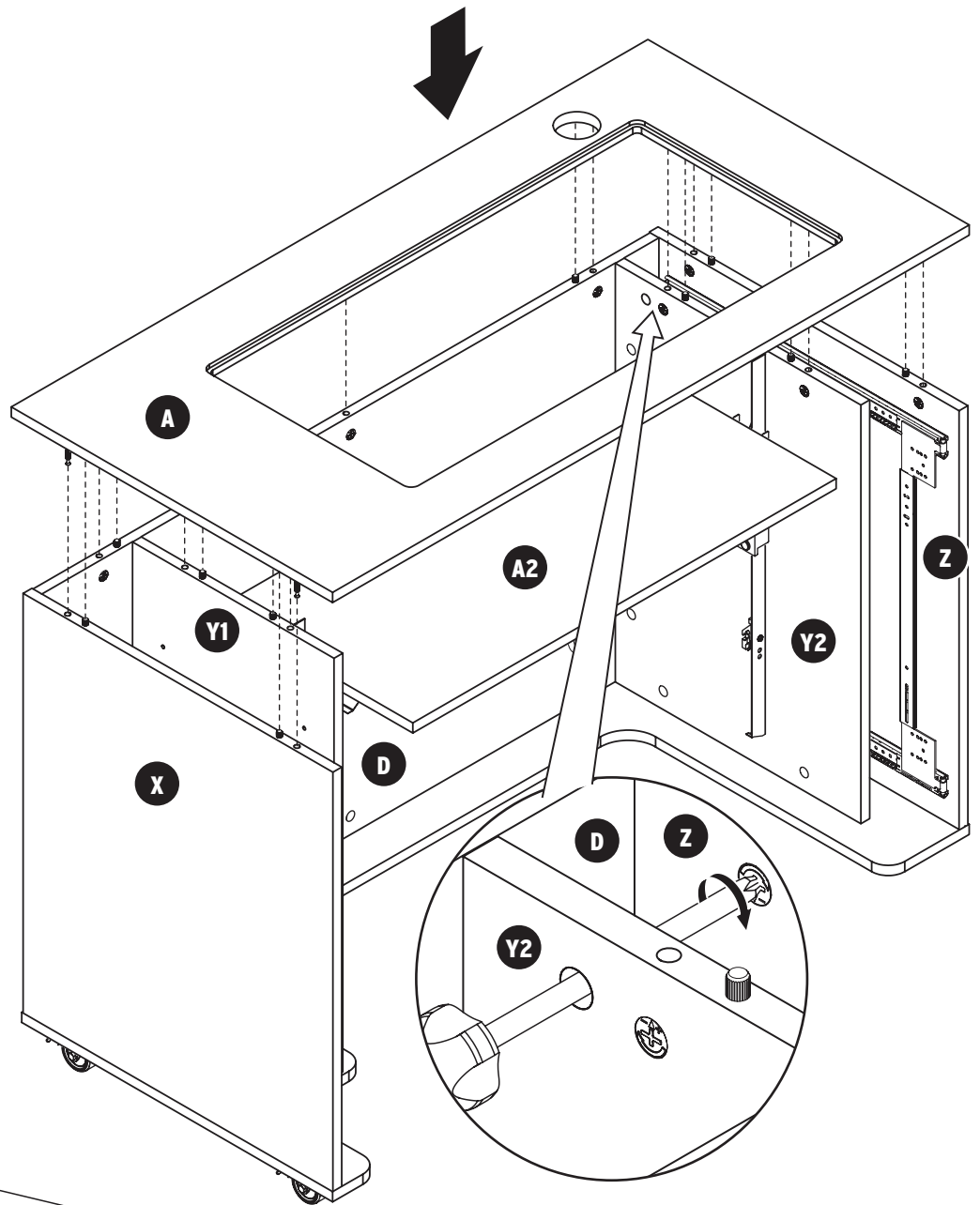
# Part 3: Top and Shelves



Lower **Panel A** onto **Panels X, Y1, D, Y2 and Z**, inserting cam bolts into cam locks.

Tighten cam locks and cover with **c2 Cam Covers**.

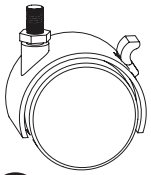
Note the small hole in the back right corner. See inset illustration; you will need a long screwdriver to reach through the hole and tighten the cam lock.



Insert **p1 Pegs** into pre-drilled **Panels X and Y1**, taking care to be sure the pegs are evenly spaced.

Slide **Panel E** shelves into place as shown.

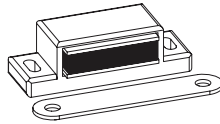
# Part 4: Door



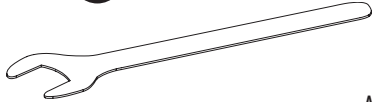
**t1** Caster **x1**



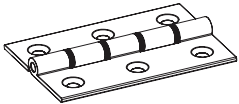
**s1** 3.5x14 Screw **x18**



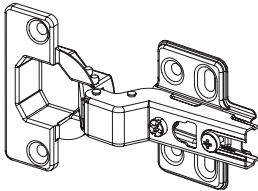
**m** Catch Plate **x1**



**r3** 14mm Wrench **x1**

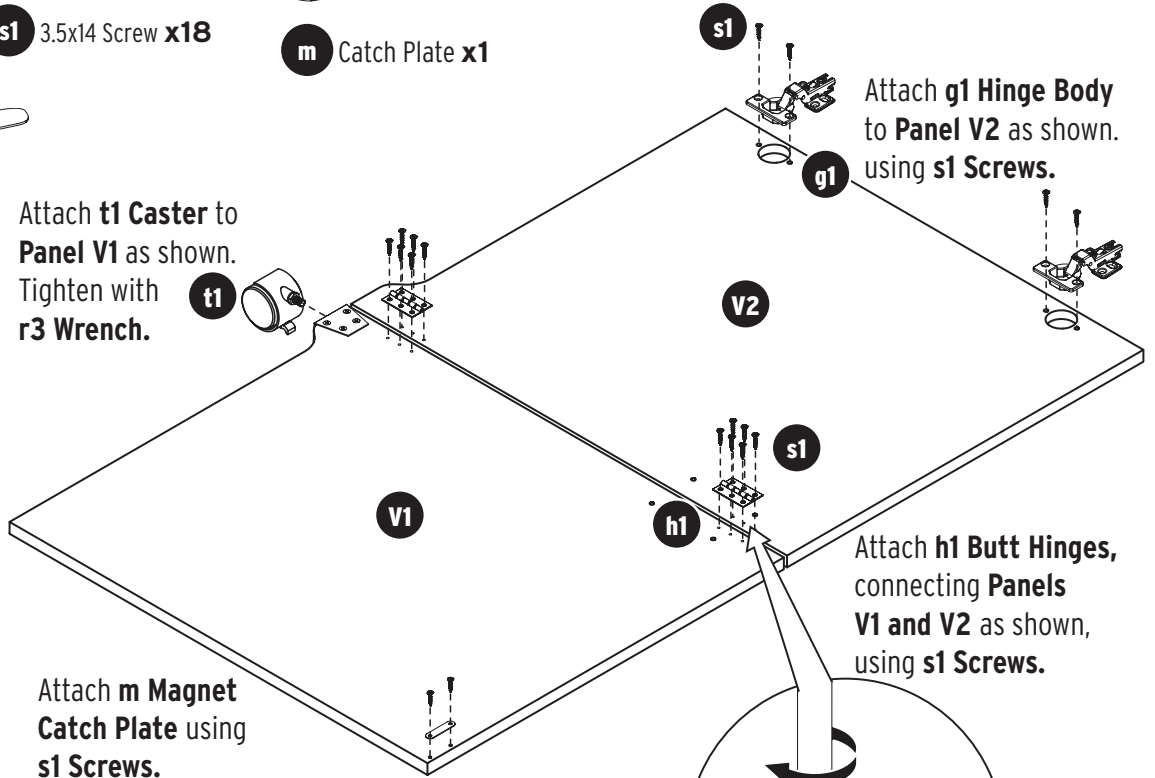


**h1** Butt Hinge **x2**



**g1** Hinge Body **x2**

Attach **t1** Caster to **Panel V1** as shown. Tighten with **r3** Wrench.



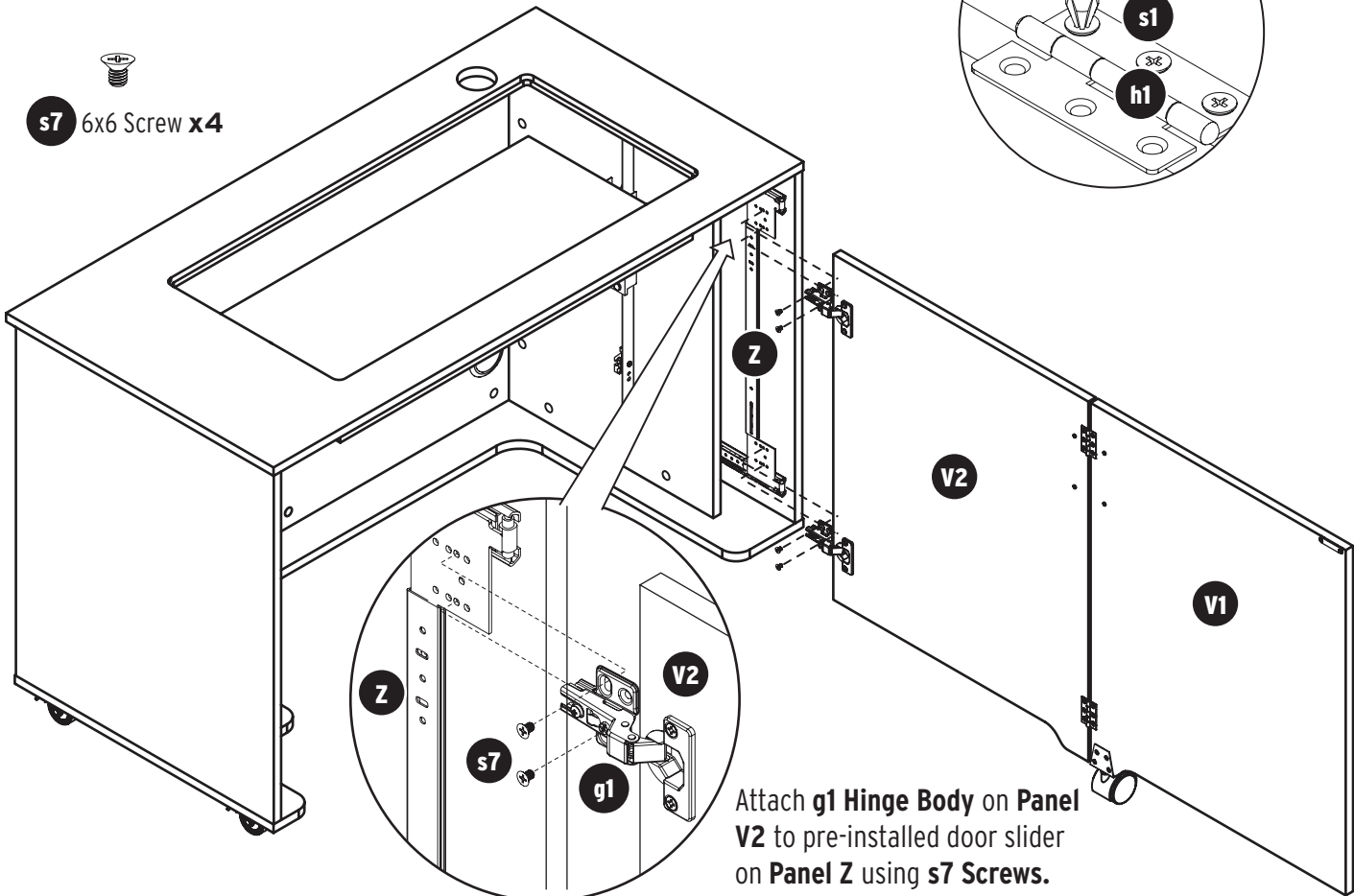
Attach **g1** Hinge Body to **Panel V2** as shown, using **s1** Screws.

Attach **h1** Butt Hinges, connecting **Panels V1** and **V2** as shown, using **s1** Screws.

Attach **m** Magnet Catch Plate using **s1** Screws.

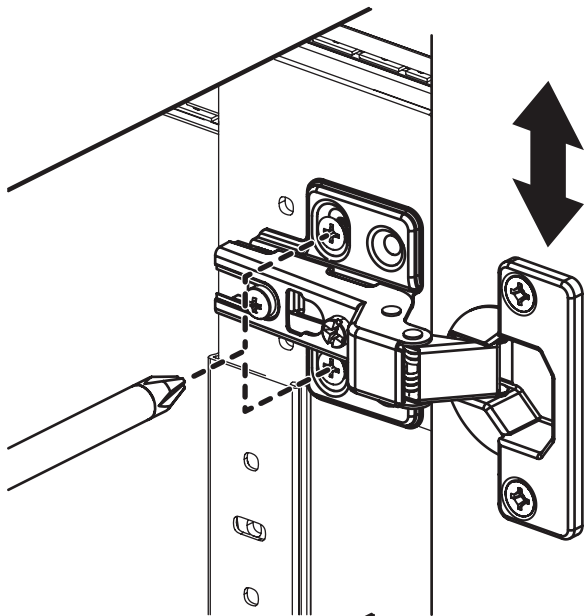


**s7** 6x6 Screw **x4**



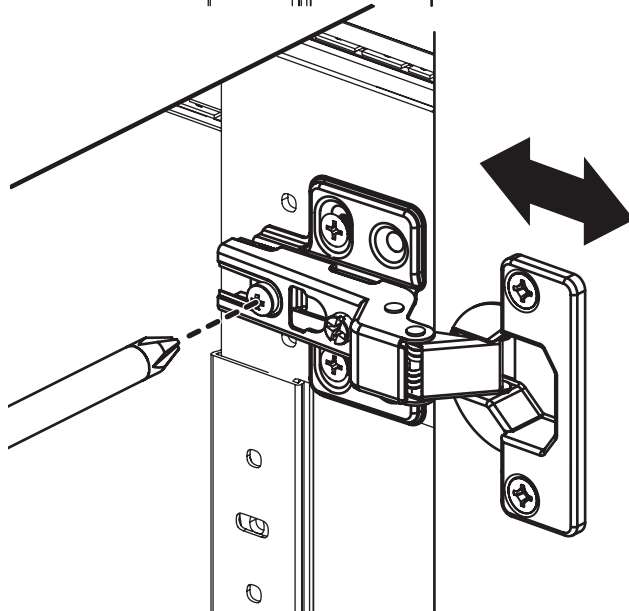
Attach **g1** Hinge Body on **Panel V2** to pre-installed door slider on **Panel Z** using **s7** Screws.

## Part 4: Door - Adjusting the Hinges



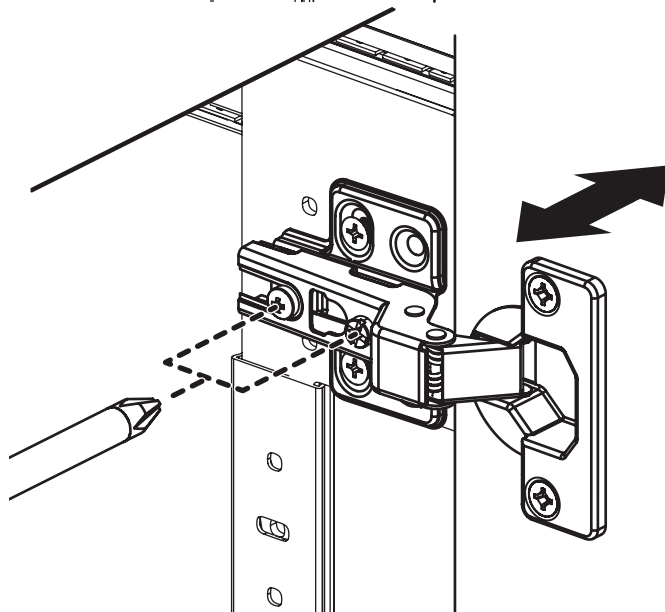
### **Adjust hinge vertically:**

Loosen the screws indicated and slide the hinge body up or down to adjust vertical position of your hinge.



### **Adjust hinge horizontally:**

Loosen the screw indicated and slide the hinge body left or right to adjust horizontal position of your hinge.



### **Adjust door depth:**

Loosen the screws indicated and slide the hinge body in or out to adjust depth of your door.

For more information on adjusting your hinges, please visit us at [www.arrowsewing.com](http://www.arrowsewing.com) and find our Product Support Videos.



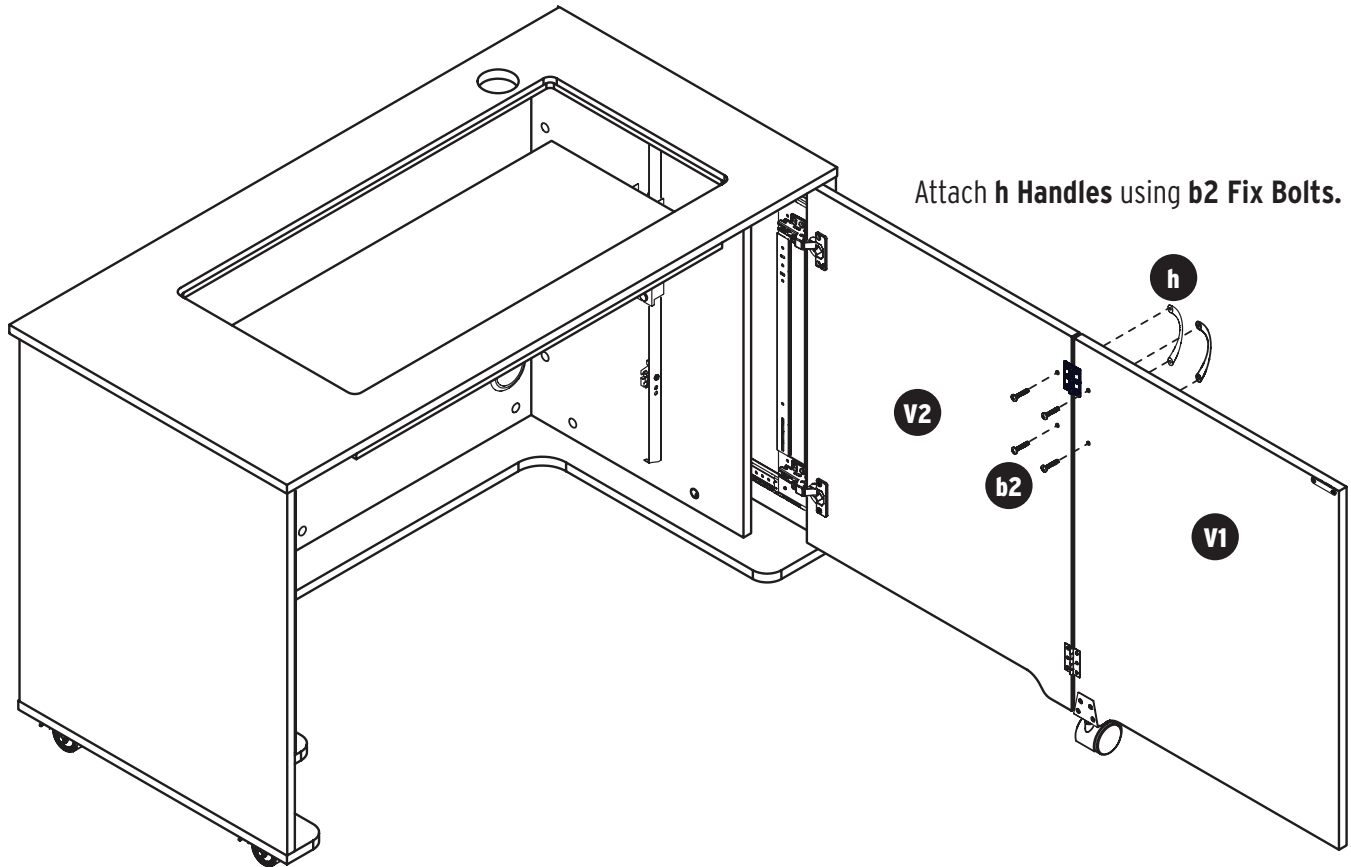
# Part 4: Door



**h** Handle **x2**

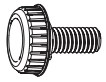


**b2** 4x20 Fix Bolt **x4**

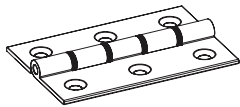


Attach **h** Handles using **b2** Fix Bolts.

# Part 5: Quilt Panel



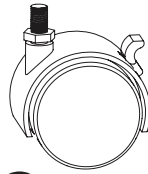
**s3** Alignment Pin **x2**



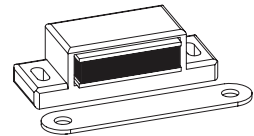
**h1** Butt Hinge **x4**



**s1** 3.5x14 Screw **x28**

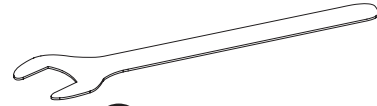


**t1** Caster **x2**



**m1** Catch Plate **x2**

Screw **s3** Alignment Pins into the top edges of **Panels 01** and **02** as illustrated.



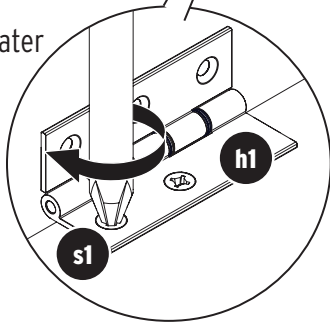
**r3** 14mm Wrench **x1**

Attach **h1** Butt Hinges to **Panels 01** and **02** as illustrated, using **s1** Screws.

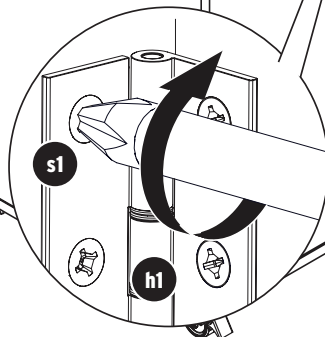
Attach **m1** Magnet Catch Plates to **Panels 01** and **02** as illustrated, using **s1** Screws.

Attach **t1** Casters to **Panels 01** and **02** as illustrated. Tighten with **Wrench**.

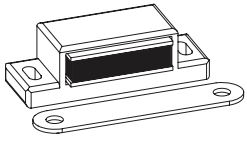
Set magnets aside for later



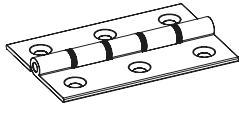
Attach **Panels 01** and **02** to **Panel D** as illustrated, using **s1** Screws to attach **h1** Butt Hinges.



# Part 5: Quilt Panel



**m1** Magnet x2



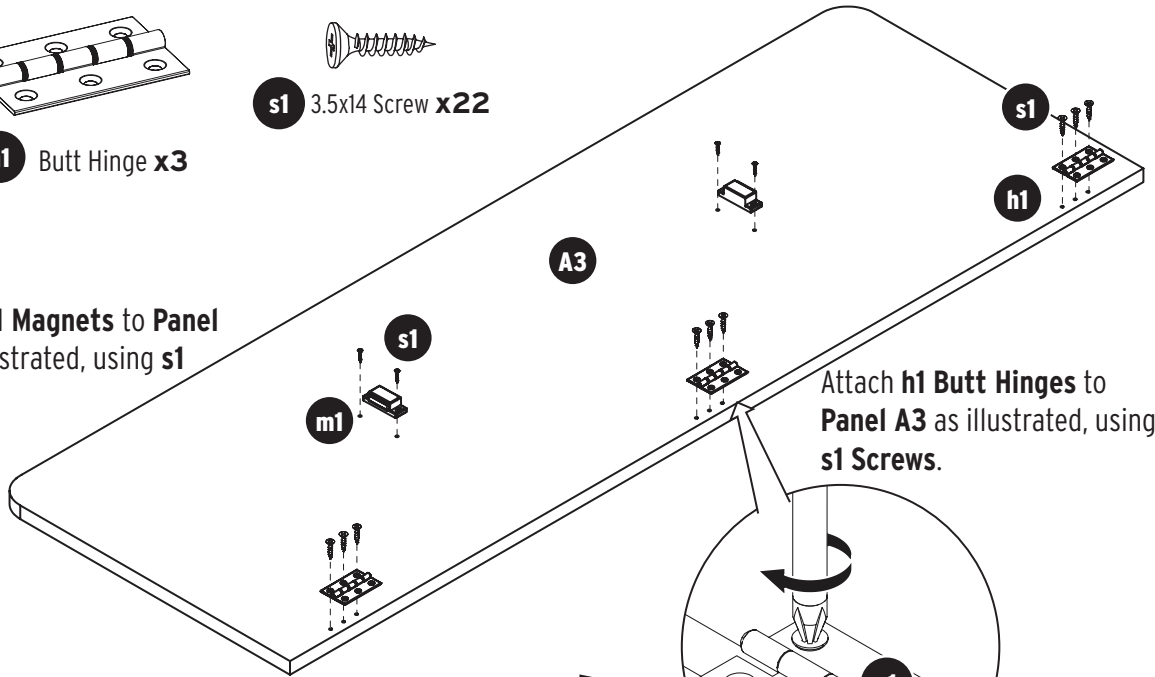
**h1** Butt Hinge x3



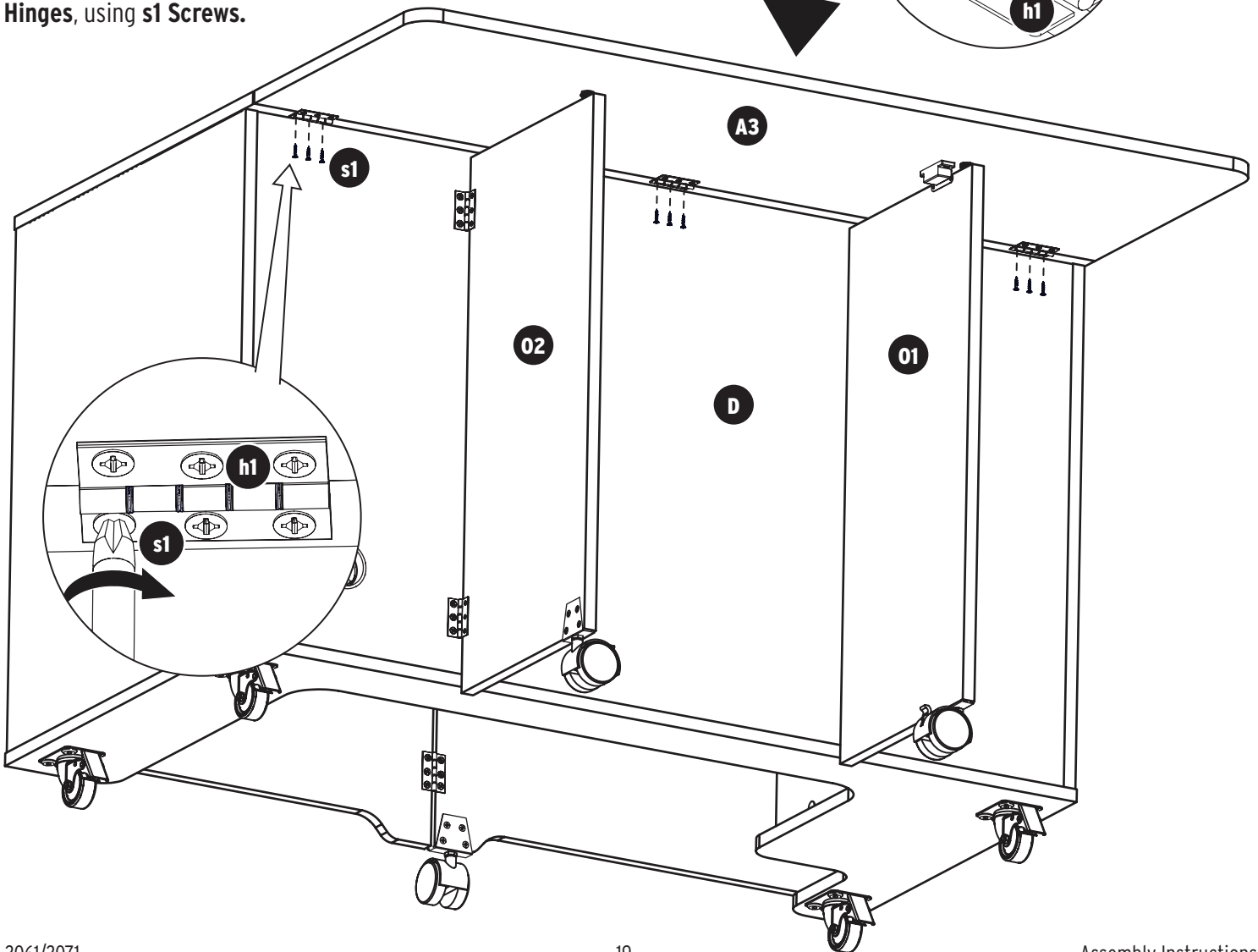
**s1** 3.5x14 Screw x22

Attach **m1 Magnets** to **Panel A3** as illustrated, using **s1 Screws**.

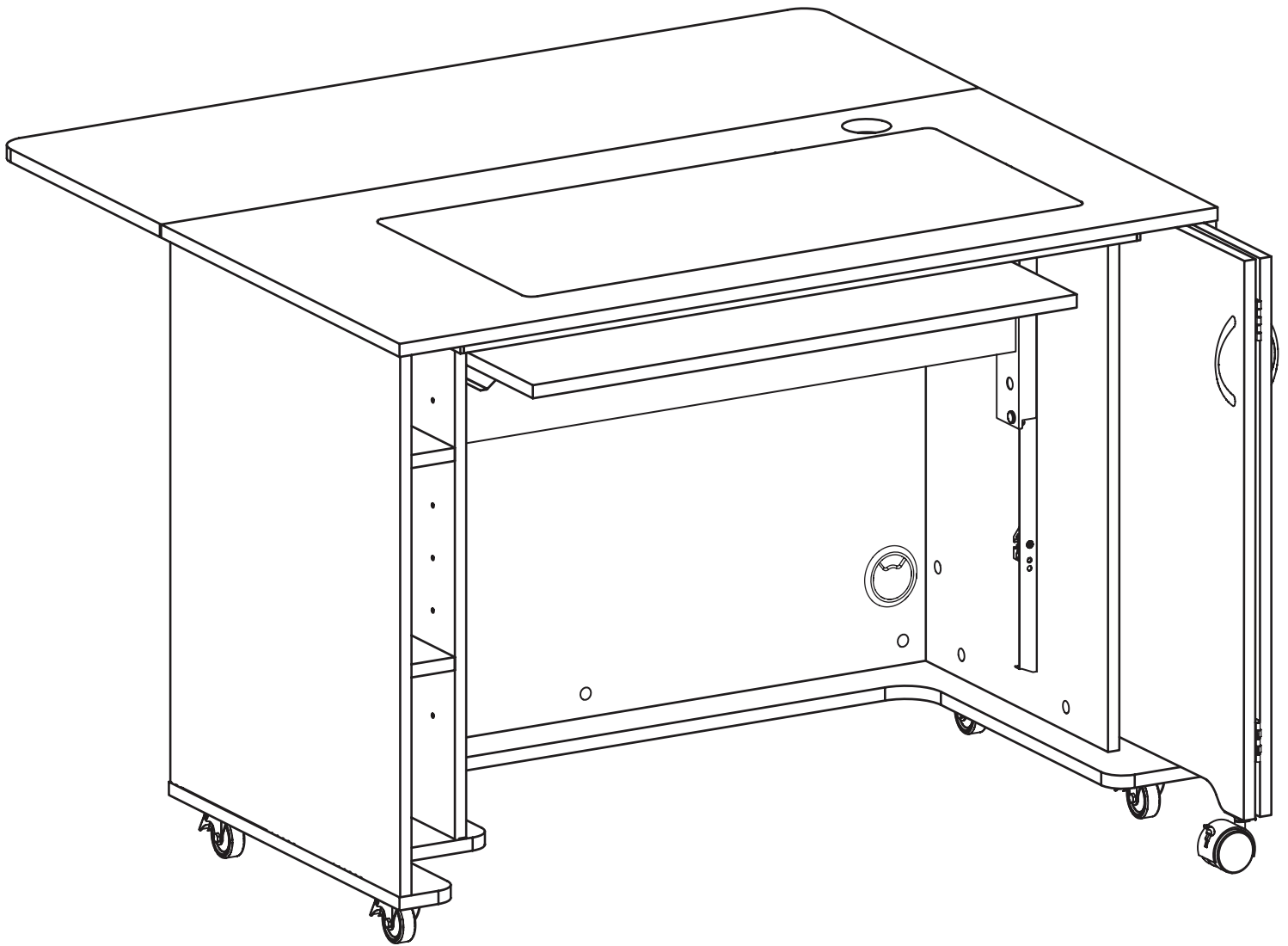
Attach **h1 Butt Hinges** to **Panel A3** as illustrated, using **s1 Screws**.



Balancing **Panel A3** on **Panels 01 and 02**, attach **Panel A3** to **Panel A** with **h1 Hinges**, using **s1 Screws**.



# Completed Mod XL Sewing Cabinet



**Congratulations! A better sewing experience awaits!**



KANGAROO™  
sewing furniture

## LIMITED LIFETIME WARRANTY

### Kangaroo™ Sewing Furniture Limited Lifetime Warranty

**WHAT THIS WARRANTY COVERS:** Arrow Companies, LLC "Arrow" provides a Limited Lifetime Warranty "Warranty" to the original purchaser of this product against defects in materials or workmanship of furniture components. As used in this Warranty, "defect" means imperfections in components which substantially impair the utility of the product. This Warranty gives you specific legal rights, and you may also have other rights which vary from state to state. Electrical and mechanical components of furniture are warranted for 5 years.

**HOW TO GET SERVICE:** Simply contact Arrow at 1-800-533-7347 or CS@ArrowSewing.com. When you request Warranty service, you must also present proof of purchase documentation, which includes the date of purchase (detailed receipt), and photos of the product. Arrow will replace any defective part (at its sole option), excluding labor. Replacement parts will be warranted for only the remaining period of the original Warranty.

Replacement parts will be shipped freight prepaid on any initial Warranty claim during first year of Warranty only. Warranty applies only to defects confirmed by Arrow and will be replaced or repaired at Arrow's option. In the event parts are no longer available for a Warranty claim, customer may receive a brand new cabinet at a price equal to 60% off the MSRP of a current comparable model.

**WHAT'S NOT COVERED:** There is no Warranty coverage for defects or conditions that result from the following: Failure to follow product assembly instructions, information or warnings; misuse or abuse; intentional damage; fire, flood, alteration or modification of the product; use of the product in a manner inconsistent with its intended use; any condition resulting from incorrect or inadequate maintenance, cleaning, care or neglect; cuts or scratches; caster damage as a result of moving furniture fully loaded or with locked casters; damage resulting from electrical surge or lightning; or use in commercial or education environments. Arrow Sewing Furniture is designed for residential use only.

ARROW SHALL HAVE NO LIABILITY for ANY INCIDENTAL OR CONSEQUENTIAL DAMAGES OF ANY KIND and all such damages are EXCLUDED FROM THIS Warranty, such as loss of use, disassembly, transportation, labor, or damage to property on or near the product. Some states do not allow the exclusion or limitation of incidental or consequential damages, so the above limitation or exclusion may not apply to you. The Warranty cannot be transferred to subsequent owners or users of the product, and it shall be immediately void in the event the product is resold, transferred, leased or rented to any third party or person other than the original purchaser.

**ADDITIONAL LIMITATIONS:** THERE ARE NO OTHER WARRANTIES APPLICABLE TO THIS PRODUCT. Under the laws of certain states, there may be no implied warranties from Arrow and all implied warranties, INCLUDING ANY IMPLIED Warranty OF MERCHANTABILITY OR FITNESS FOR A PARTICULAR PURPOSE are disclaimed where allowed by law. TO THE EXTENT ANY IMPLIED WARRANTIES ARE APPLICABLE, ANY IMPLIED WARRANTIES, INCLUDING ANY IMPLIED Warranty OF MERCHANTABILITY OR FITNESS FOR A PARTICULAR PURPOSE, ARE LIMITED IN DURATION TO THE DURATION OF THIS EXPRESS Warranty or the minimum period allowed by law, whichever is shorter. Some states do not allow limitations on how long an implied Warranty lasts, so the above limitation may not apply to you. This limited Warranty gives you specific legal rights. This limited Warranty does not, in any way, affect the rights given to you by law.

**REGISTER YOUR PRODUCT:** Original purchaser should register the purchase online at [www.ArrowSewing.com/Warranty](http://www.ArrowSewing.com/Warranty).

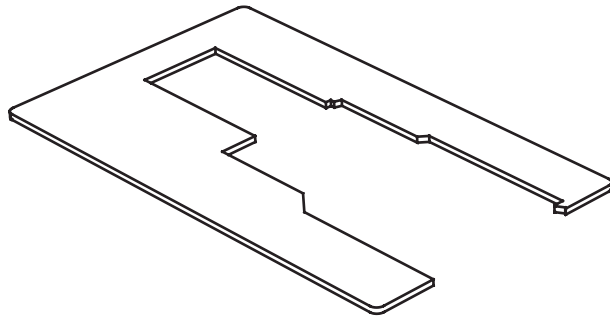
SEW IN COMFORT. SEW LONGER.™



## Accessories to Complete Your Sewing Studio

### Custom Insert

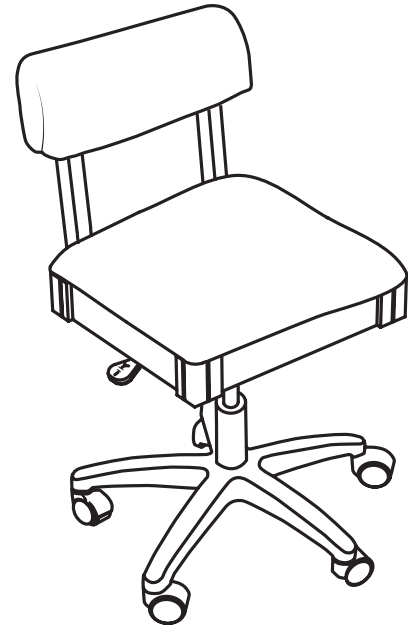
Enhance your sewing experience with a custom acrylic sewing insert! Custom acrylic sewing inserts are designed to fill the gap between your sewing machine and sewing cabinet's lift opening to create a flush, ergonomic surface for flat bed sewing. To ensure a perfect fit, custom acrylic sewing inserts are built specifically for your sewing machine and sewing cabinet combination. Say hello to happy wrists, straighter stitches, and an elevated sewing experience!



Insert

### Arrow Sewing Chairs

Arrow's #1 Rated Height Adjustable Sewing Chair is a must have accessory for your dream sewing room! Cute, comfortable and convenient - our lovable sewing chairs feature vibrant sewing themed patterns, 360 swivel access and lumbar support for long hours at your workstation. Don't look now, but under every seat cushion is a hidden storage compartment to store your notions and patterns! Available in 10 colors to perfectly match your sewing sanctuary!



Height Adjustable Sewing Chair

P.O. Box 410 Elkhorn, WI 53121  
1-800-533-7347 Ext. 1  
CS@ArrowSewing.com  
www.ArrowSewing.com

12-21