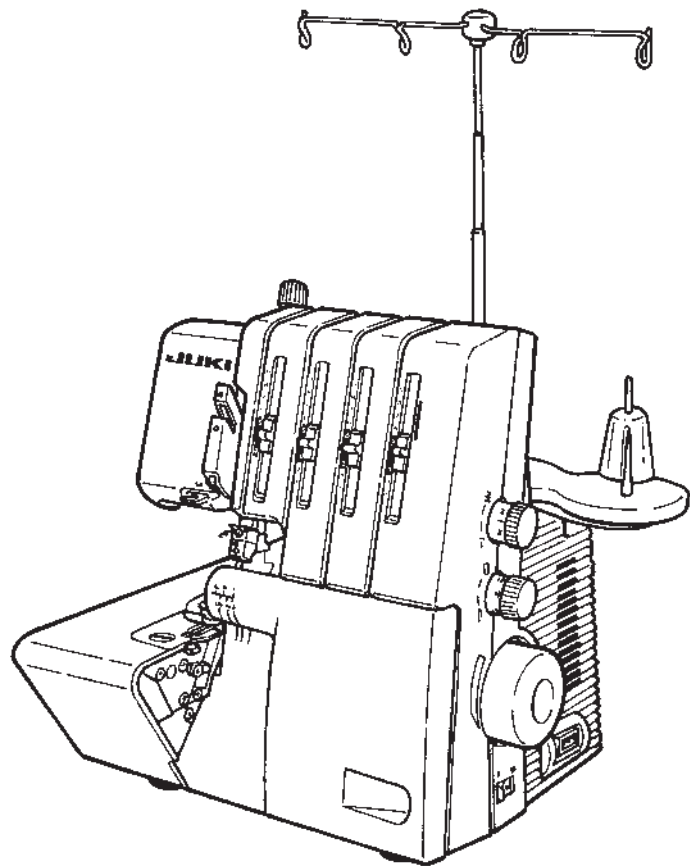


2-Needle, 2/3/4-Thread Overlock Sewing Machine  
Maquina de coser Sobreorilladora de 2 Agujas, 2/3/4 Hilos  
Surjeteuse-Raseuse 2 Aiguilles, 2/3/4 Fils

# MO-1200QVP

## INSTRUCTION MANUAL MANUAL DE INSTRUCCIONES MANUEL D'INSTRUCTIONS



EN

ES

FR

**IMPORTANT:**

Read all safety regulations carefully and understand them before using your sewing machine. Retain this instruction manual for future reference.

**IMPORTANTE:**

Lea cuidadosamente todas las recomendaciones con respecto a la seguridad y comprendalas perfectamente antes de usar su maquina. Guarde este libro de instrucciones para referencias futuras.

**IMPORTANT:**

Avant de mettre la machine en marche, lire attentivement et assimiler les règles de sécurité de ce manuel. Conserver le manuel afin de pouvoir le consulter ultérieurement.



Please scan the QR code with your mobile phone/tablet to access the operation support video or visit our video site.

[https://www.youtube.com/playlist?list=PL5hY\\_WnU5loOq6dq7xNEI7nn46nmoYku](https://www.youtube.com/playlist?list=PL5hY_WnU5loOq6dq7xNEI7nn46nmoYku)

## “IMPORTANT SAFETY INSTRUCTIONS”

---

When using an electrical appliance, basic safety precautions should always be followed, including the following: Read all instructions before using this sewing machine.

### “DANGER \_\_\_\_ To reduce the risk of electric shock:”


1. The appliance should never be left unattended when plugged in.
2. Always unplug this appliance from the electric outlet immediately after using and before cleaning.

### “WARNING \_\_\_\_ To reduce the risk of burns, fire, electric shock, or injury to persons:”

1. Do not use the appliance as a toy. Caution is advised when the appliance is used by children, or near children. This sewing machine can be used by children aged from 8 years and above and persons with reduced physical, sensory or mental capabilities or lack of experience and knowledge if they have been given supervision or instruction concerning use of the sewing machine in a safe way and understand the hazards involved. Children shall not play with the sewing machine. Cleaning and user maintenance shall not be made by children without supervision.
2. Use this appliance only for its intended use as described in this manual. Use only attachments recommended by the manufacturer as contained in this manual.
3. Never operate this appliance if it has a damaged cord or plug, if it is not working properly, if it has been dropped or damaged, or dropped into water. Return the appliance to the nearest authorized dealer or service center for examination, repair, electrical or mechanical adjustment.
4. Never operate the appliance with any air openings blocked. Keep ventilation openings of the sewing machine and foot control free from the accumulation of lint, dust, and loose cloth.
5. Keep fingers away from all moving parts. Special care is required around the sewing machine needle.
6. Always use the proper stitch plate. The wrong plate can cause the needle to break.
7. Do not use bent needles.
8. Do not pull or push fabric while stitching. It may deflect the needle causing it to break.
9. Do not carry out sewing with a marking pin stuck in the material since doing so can cause knife/needle breakage. In addition, do not attempt to cut anything other than fabric and thread with the upper/lower knives.
10. Switch the sewing machine off “O” when making any adjustments in the needle area, such as threading needle, changing needle, threading looper, or changing presser foot and the like.
11. Always unplug the machine from the electrical outlet when removing covers, when covers are opened to thread the loopers, when lubricating or when making any other user servicing adjustments mentioned in the instruction manual.
12. Never drop or insert any object into any opening.
13. Do not use outdoors.
14. Do not operate where aerosol (spray) products are being used or where oxygen is being administered.
15. To disconnect, turn all controls to the off “O” position, then remove plug from outlet.
16. Do not unplug by pulling on cord. To unplug, grasp the plug, not the cord.
17. Basically, the machine should be disconnected from the electricity supply when not in use.
18. If the power cord of this appliance is damaged, it must be replaced with a special cord by your nearest authorized dealer or service center.
19. (Except USA/Canada) This machine is provided with double insulation.  
Use only identical replacement parts. See instructions for servicing Double-Insulated machine.

## “SERVICING DOUBLE-INSULATED PRODUCTS (Except USA / Canada)”

In a double-insulated product, two systems of insulation are provided instead of grounding. No grounding means is provided on a double-insulated product nor should a means for grounding be added to the product. Servicing a double-insulated product requires extreme care and knowledge of the system and should only be done by qualified service personnel. Replacement parts for a double-insulated product must be identical to those parts in the product. A double-insulated product is marked with the words DOUBLE INSULATION or DOUBLE INSULATED.

The symbol  may also be marked on the product.

## “SAVE THESE INSTRUCTIONS”

“This overlock sewing machine is intended for household use only.”

Congratulations on your purchase of a JUKI sewing machine.



Please be sure to read safety precautions in “To use the sewing machine safely” in the Instruction Manual before use to fully understand the functions and operating procedures of the sewing machine so as to use the sewing machine for a long time.

After you have read the Instruction Manual, please be sure to keep it together with the warranty so that you can read it whenever necessary.











## To use the sewing machine safely

Marks and pictographs included in the Instruction Manual and shown on the sewing machine are used so as to ensure safe operation of the sewing machine and to prevent possible risk of injury to the user and other people.

Warning marks are used for different purposes as described below.

 <b>WARNING</b>	Indicates that there is a possible risk of death or serious injury if this mark is ignored and the sewing machine is used in a wrong manner.
 <b>CAUTION</b>	Indicates the operation, etc. which can cause a possible risk of personal injury and/or physical damage if this mark is ignored and the sewing machine is used in a wrong manner.

Pictographs mean the following:

	Danger warning which is not specified		There is a risk of electrical shock		There is a risk of fire		There is a risk of injury to hands, etc.
	Prohibited matter which is not specified		Disassembly/alteration is prohibited		Do not place fingers under the needle		Do not pour oil, etc.
	Generally required behavior		Disconnect the power plug				

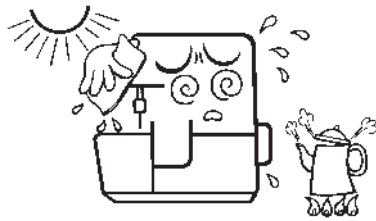
## **⚠ WARNING**

For the combination of the material and the thread and needle, in particular, refer to the explanation table in “Replacement of the needle”.

If the needle or thread does not match the material used such as in the case that an extra heavy-weight material (e.g., denim) is sewn with a thin needle (#11 or higher), the needle can break resulting in an unexpected personal injury.

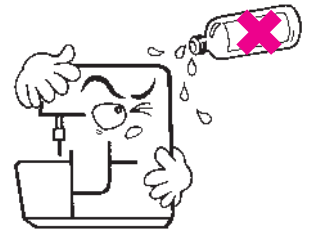
## **Other precautions**

- Do not put the sewing machine under the direct sunlight or in a humid place.



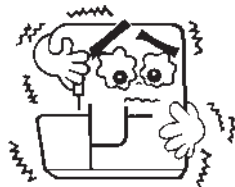
- Do not wipe the sewing machine with solvent such as thinner.

When the sewing machine is soiled, put a small quantity of neutral detergent on a piece of soft cloth and carefully wipe off the sewing machine with it.



Be aware that the following state can take place since the sewing machine incorporates semi-conductor electronic parts and precise electronic circuits.

- Be sure to use the sewing machine in the temperature range from 5°C to 40°C. If the temperature is excessively low, the machine can fail to operate normally.



\* The operating temperature of the sewing machine is between 5°C and 40°C. Do not use the sewing machine under the direct sunlight, near the burning things such as a stove and candle, or in a humid place. By so doing, the temperature in the interior portion of the sewing machine can rise or the coating of the power cord can melt, causing fire or electrical shock.

# Contents

---

Safety instructions .....	1-3
Contents .....	4
Details of the machine .....	5,6
• Accessories .....	6
Preparing the machine .....	7
• Foot control .....	7
• Thread stand .....	8
• Thread, cones, spools .....	8

## Using the machine

• Main switch .....	8
• Presser foot lifter .....	8
• Changing the presser foot .....	9
• Looper cover .....	9
• Cloth plate .....	9
• Handwheel .....	10
• Raising the upper knife .....	10
• Inserting the needles .....	11
• Needles and machine .....	11

## Threading

• Preparation .....	12
• Upper and lower looper .....	13,14
• Right and left needles .....	15,16

## Trial sewing

• Sewing test .....	17
• Thread tension .....	18
• Adjusting tensions .....	18

## Adjustments and settings

• Stitch length .....	19
• Cutting width .....	19
• Differential feed .....	20
• Gathering .....	21
• Upper looper converter .....	22
• Roll hemming .....	22
• Presser foot pressure .....	23

## Practical sewing

• Thread breakage .....	23
• Unpicking seams .....	23

Stitch chart .....	24
--------------------	----

## Maintenance

• Replacing the knives .....	25
• Replacing the bulb .....	25
• Cleaning and lubricating .....	25

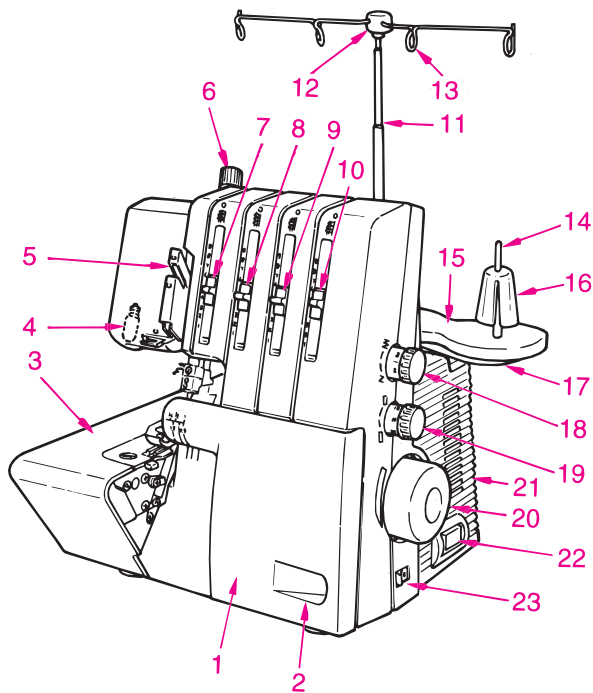
Trouble shooting guide .....	26
------------------------------	----

Technical data .....	27
----------------------	----

Optional accessories .....	28
----------------------------	----

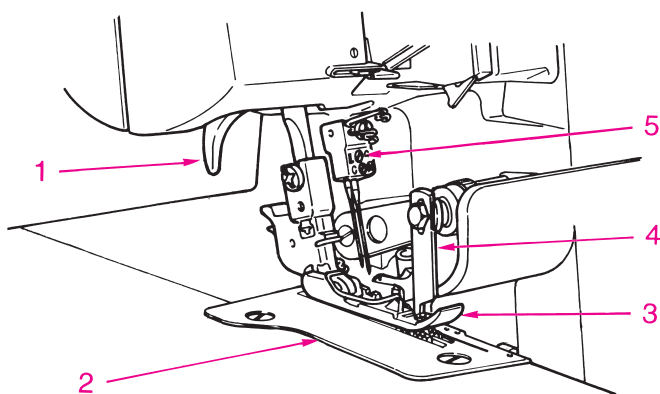
## Details of the machine

---



### Details of the machine

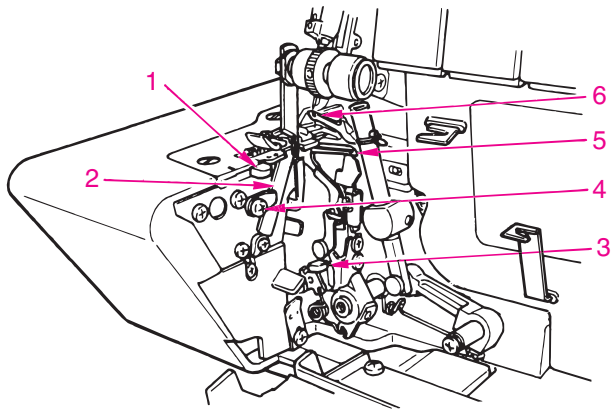
1. Looper cover with built in knife guard
2. Looper cover opening indent
3. Cloth plate
4. Sewing light
5. Thread take-up cover
6. Foot pressure adjusting screw
7. Left needle thread tension lever
8. Right needle thread tension lever
9. Upper looper thread tension lever
10. Lower looper thread tension lever
11. Retractable support rod
12. Thread guide support
13. Open thread guide
14. Spool holder pin
15. Foam pad
16. Anti-vibration cone
17. Thread stand
18. Stitch length adjustment dial
19. Differential feed adjustment dial
20. Handwheel
21. Rear cover
22. Machine socket
23. Power/Light switch



### Details of the machine

1. Presser foot lifter
2. Stitch plate
3. Presser foot
4. Upper knife
5. Needle clamp

## Details of the machine

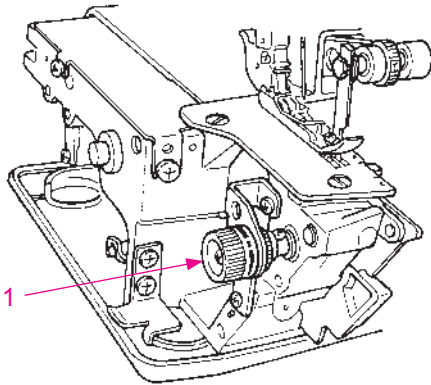


### Caution

Be sure to turn off the power switch before opening the looper cover.

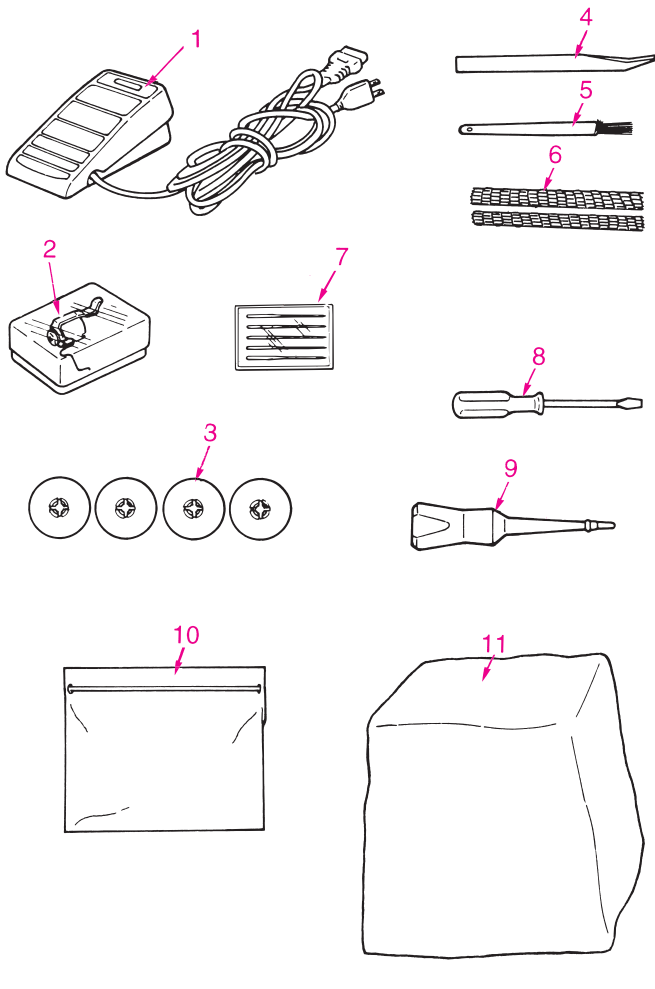
### View with looper cover open

1. Selection lever for overlocking or rollhemming
2. Lower knife
3. Lower looper auto threader
4. Lower knife set screw
5. Lower looper
6. Upper looper



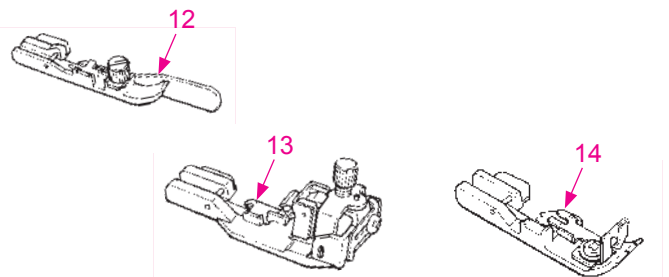
### View with cloth plate open

1. Cutting width adjustment knob



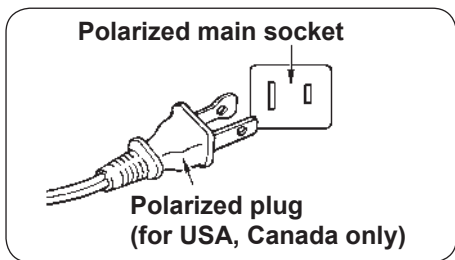
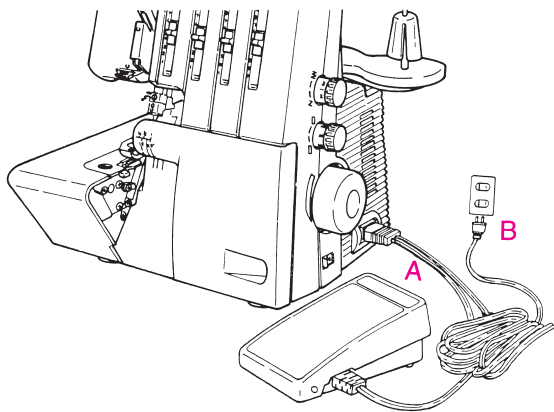
### Accessories

1. Electronic foot control
2. Upper looper converter
3. Spool caps
4. Tweezers
5. Cleaning brush/Needle inserter
6. Nets
7. Needle set 130/705H
8. Small screwdriver
9. Oiler
10. Accessory bag
11. Dust cover
12. Brind Stitch Foot
13. Elasticator Foot
14. Cording Foot





## Preparing the machine



### Attaching the foot control

Plug foot control into the machine socket (A) and then into the main socket (B). The foot control regulates the sewing speed. The sewing speed can be adjusted by increasing or decreasing the pressure on the foot control.

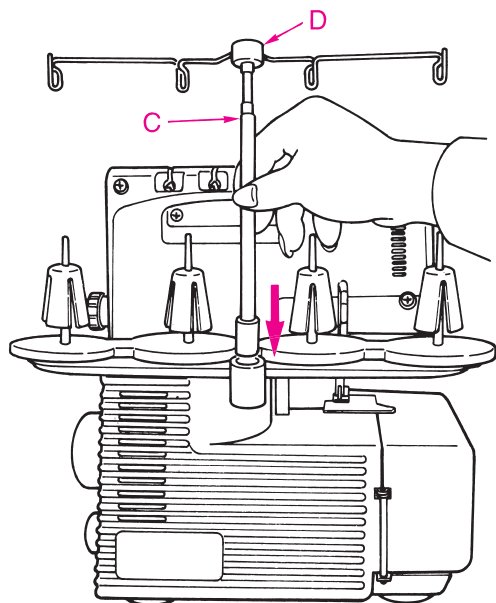
#### ! "WARNING"

This appliance has a polarized plug (for USA and Canada only, one blade wider than the other).

To reduce the risk of electric shock, this plug is intended to fit in a polarized main socket only one way.

If the plug does not fit fully in the polarized main socket, reverse the plug. If it still does not fit, contact a qualified electrician to install the proper polarized main socket. Do not modify the plug in any way. (for USA, Canada only)

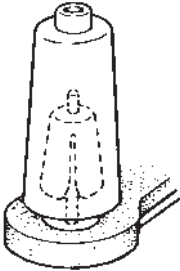
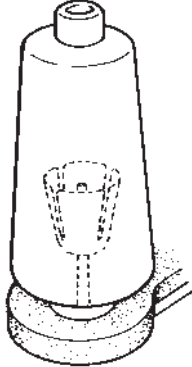
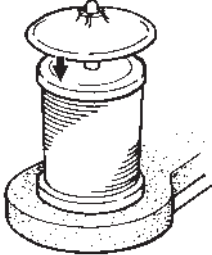
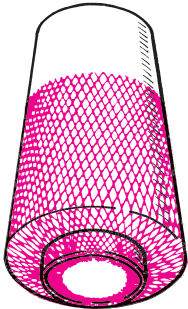
\* Use only the foot control model YC-482 (USA, Canada), YC-483N (220-240V).



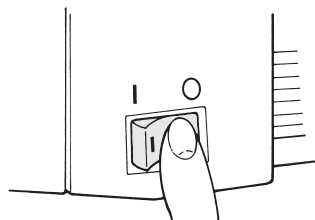
### Thread stand

Push the support rod firmly into the socket on the back of the machine. Raise the support rod (C) fully, turning slightly until the position catches engage. Position the thread guide (D) on the thread stand so that the arrow is to the front.

## Preparing the machine

 <p><b>Thread / cones / spools</b></p> <p>The anti-vibration cone should be used with the wider edge at the bottom on the spool holder pin when sewing with cones.</p>	 <p><b>Large spools</b></p> <p>If large industrial spools are used, position the anti-vibration cone upside down on the spool holder pin, i.e. with the wider edge at the top.</p>
 <p><b>Household spools</b></p> <p>Remove the anti-vibration cones. Place spools on spool holder pins and push the spool caps on with the rounded side downwards.</p>	 <p><b>Thread nets</b></p> <p>If the threads slip and gets twisted, cover the spools of upper and lower looper with the nets supplied in the accessory bag.</p>

## Using the machine

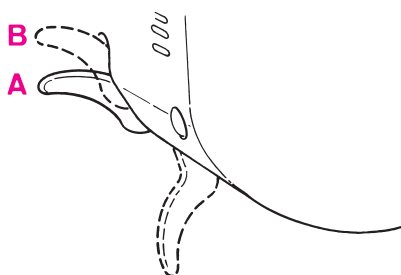
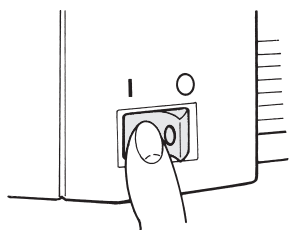


### Power/light switch

The power/light switch is conveniently placed on the handwheel side of the machine in front of the socket.

O = Off

I = On with light



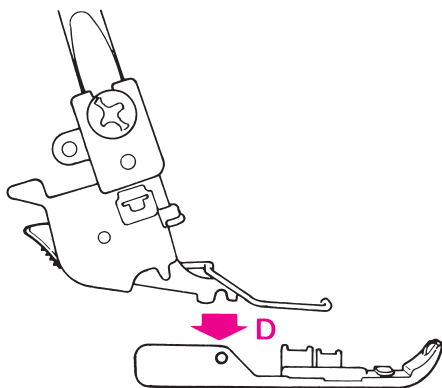
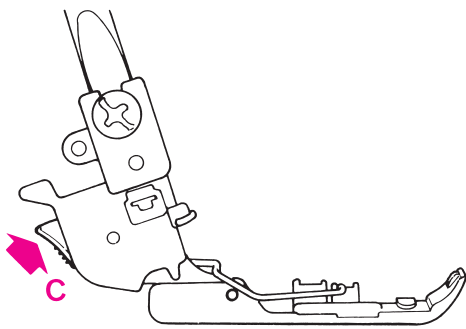
### Two step presser foot

To raise the presser foot, lift the presser foot lever on the rear of the machine, until it engages (A). It can be raised again to the maximum height and held in this position to provide more space between presser foot and stitch plate.(B).

**Note:** When the presser foot is raised, all the tensions are released making it easier to thread the machine.

## Using the machine

---

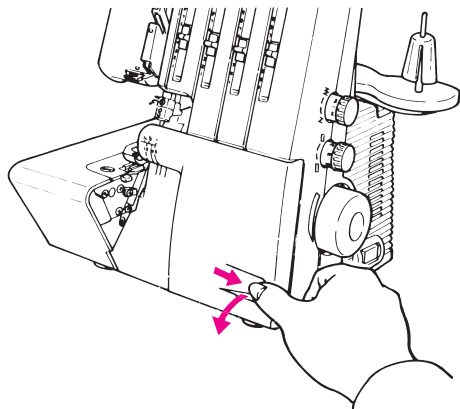


### Changing the presser foot

**⚠** • Switch the machine off (Power switch to “0”).

- Raise the presser foot.
- Turn the handwheel towards you until needles are fully raised.

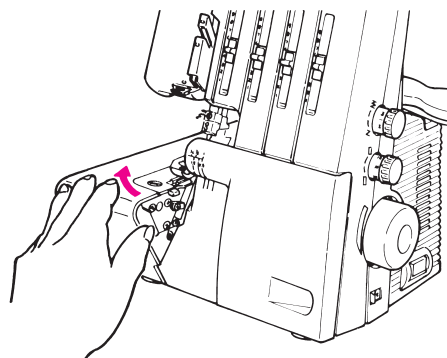
Press the catch (C) to release the presser foot from the clamp. Raise the presser foot to the highest position (B) and remove the presser foot to the left. To attach the presser foot, place it under the shaft. The groove in the shaft should line up exactly with the presser foot pin (D). Lower the shank and the presser foot will engage automatically.



### Looper cover

To open the looper cover press the indent to the right with your thumb and lower the cover towards you. To close, push it up and press lightly to the right. The cover engages automatically.

**⚠ CAUTION:** Moving parts - to reduce the risk of injury, switch machine off (“0”). Before servicing and when opening looper cover and cloth plate. Close before using!



### Cloth plate cover

Opening and closing the cloth plate:

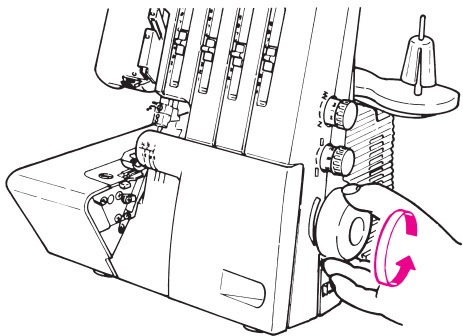
Opening: Push the cloth plate to the left.

Closing: Push the cloth plate to the right.

**⚠ CAUTION:** Moving parts - to reduce the risk of injury, switch machine off (“0”). Before servicing and when opening looper cover and cloth plate. Close before using!

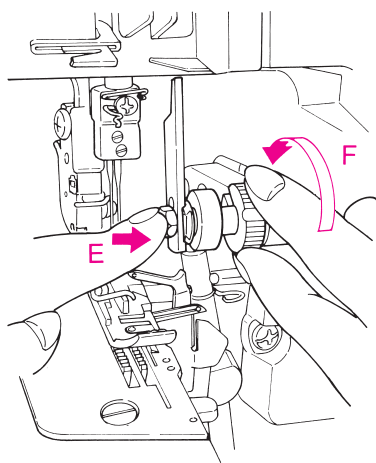
# Using the machine

---



## Handwheel

The handwheel turns forward, i. e. in the same direction as on a household sewing machine.

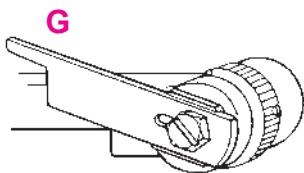


## Raising the upper knife

**!** • Switch the machine off (Power switch to “0”).

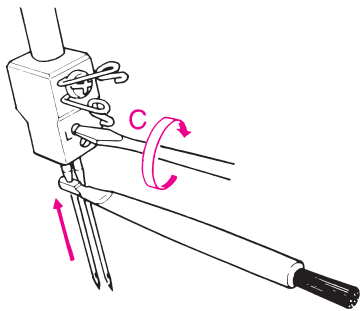
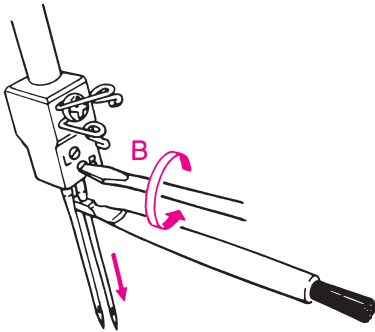
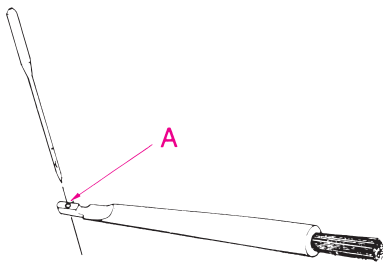
- Disconnect machine from electricity supply.
- Turn the handwheel towards you until needles are fully raised.
- Open the looper cover.

Press the upper knife holder (E) to the right. Turn the knob clockwise (F) until the knife engages into position as illustrated (G).



## Using the machine

---



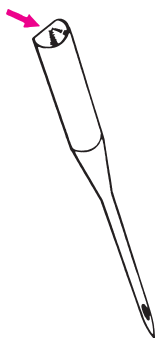
### Inserting needles

Needles can be inserted quickly and easily with the practical cleaning brush and needle inserter (A).

**⚠ • Switch the machine off (Power switch to “0”).**

- Disconnect machine from electricity supply. Turn the handwheel towards you until needles are fully raised.
- Lower the presser foot.

Using the small screwdriver, loosen the needle setscrews and remove the needles (B). Place the right hand needle, flat side towards the back, into the hole of the needle inserter and insert the needle as far as possible into the needle clamp. Tighten the setscrew lightly and then insert the lefthand needle in the same way and tighten both setscrews (C).



### Needle and machine

Your overlock machine is equipped with needle system 130/705 H (household sewing machine needles). These should be purchased when replacement needles are required. Use needles no. 70 - 90 on your machine.

# Using the machine, Threading

---

## Preparation / Tips

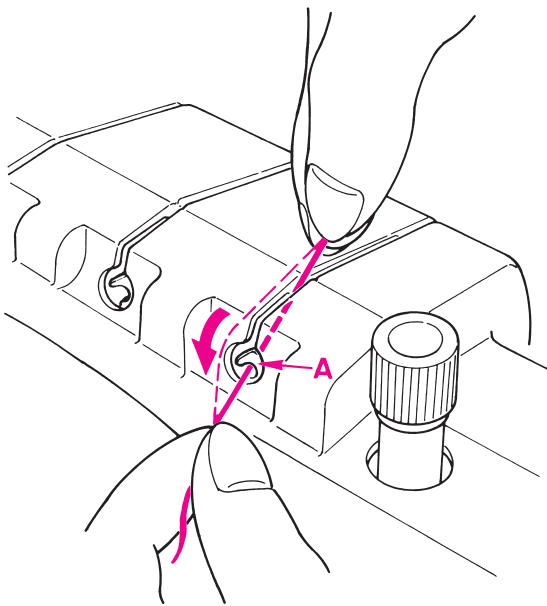
**!** • Switch the machine off (Power switch to “0”).

- **Disconnect machine from electricity supply.**
- Support rod with thread guide must be fully raised.
- Open looper cover and cloth plate.
- Turn the handwheel towards you until the needles are fully raised.
- Raise the upper knife.
- Raise the presser foot. The tension is automatically released.

Thread the machine carefully and in the correct sequence.

Invaluable threading aids simplify threading:

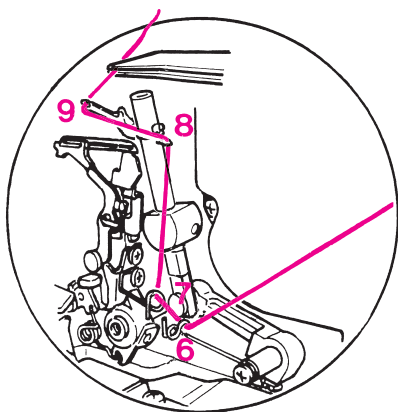
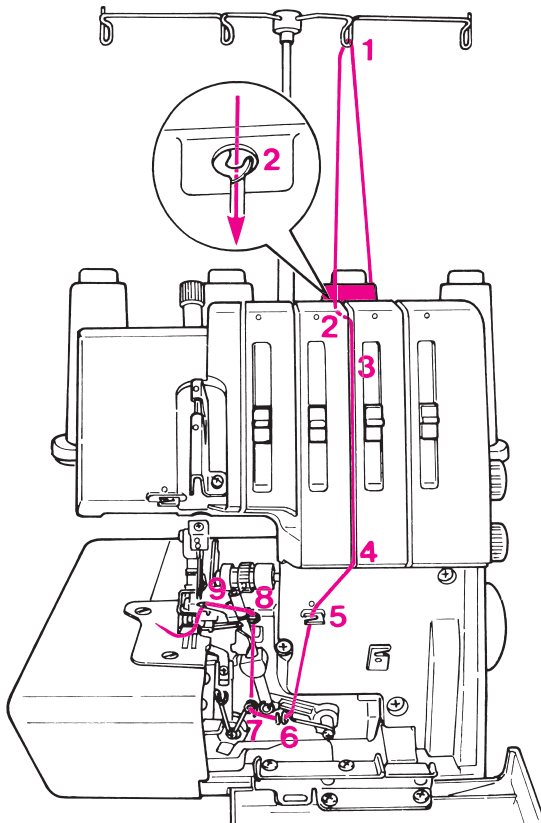
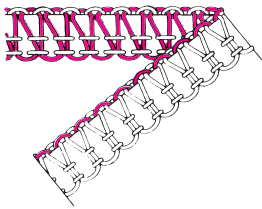
- Colored threading illustration
- Color coded thread path on the machine
- Threading accessories



## First thread guide on the Machine

Take the thread with both hands and lay it in the groove. Press the thread down into the 1st guide on the machine until it clicks into place.

# Threading



## 1. Upper looper thread, blue markings

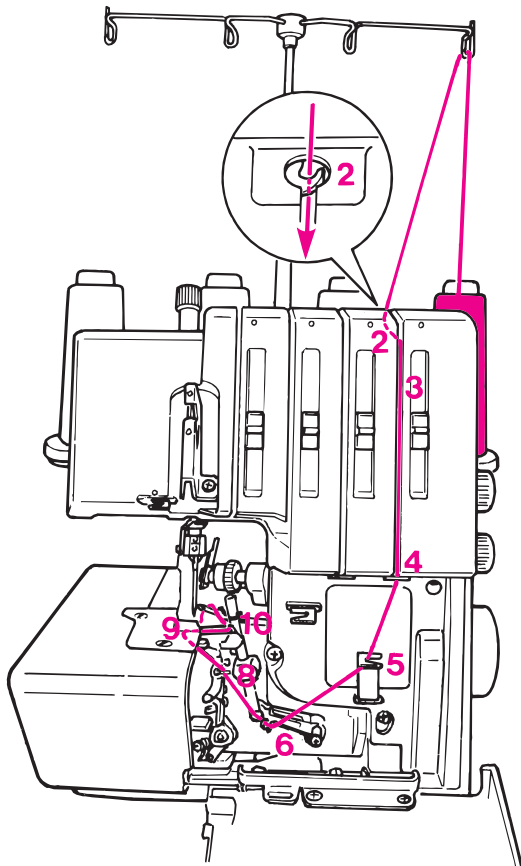
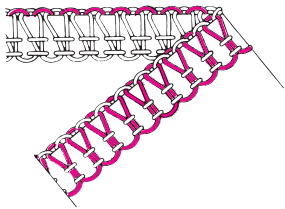
Place the spool on the spool holder pin as illustrated.

- (1) Bring the thread up from the spool and lay it from back to front into the guide (second from right).
- (2) Take the thread with both hands and lay it in the groove. Press the thread down into the 1st guide on the machine until it clicks into place.
- (3) Slip the thread through the groove.
- (4,5,6,7,8) Thread the guides, blue markings.
- (9) Turn the handwheel until the upper looper is in the position as illustrated. Thread the looper eye.
- (10) Lift the presser foot, place thread underneath and lower the presser foot.

### Note:

Do not thread the upper looper when sewing with the upper looper converter.

# Threading



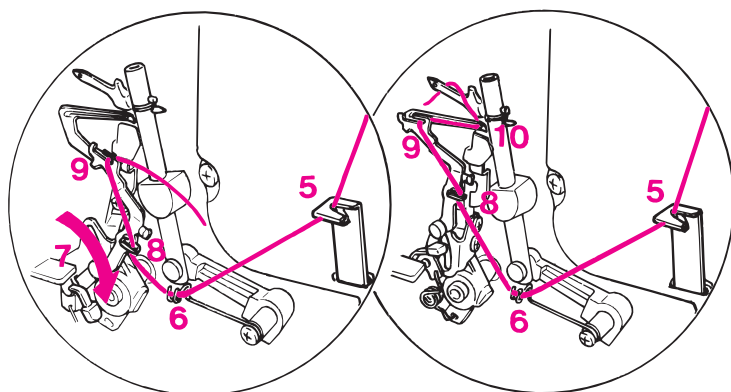
## 2. Lower looper thread, red markings

Place the spool on the spool holder pin as illustrated.

- (1) Bring the thread up from the spool and lay it from the back to the front into the guide (right one).
- (2) Take the thread with both hands and lay it in the groove. Press the thread down into the 1st guide on the machine until it clicks into place.
- (3) Slip the thread through the groove.
- (4,5,6) Thread the guides.
- (7) Press the lever of the auto threader down.
- (8,9) Thread the guide and then the slit on the threader.  
Push the auto threader lever up to return it to its normal position.
- (10) Thread the lower looper eye and place the thread underneath the presser foot.

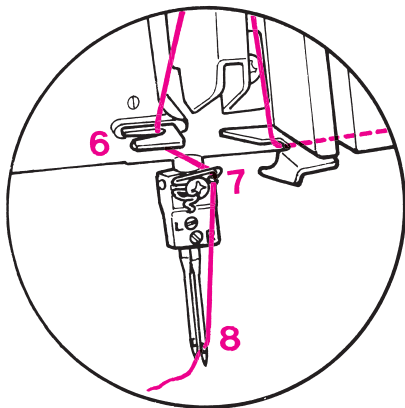
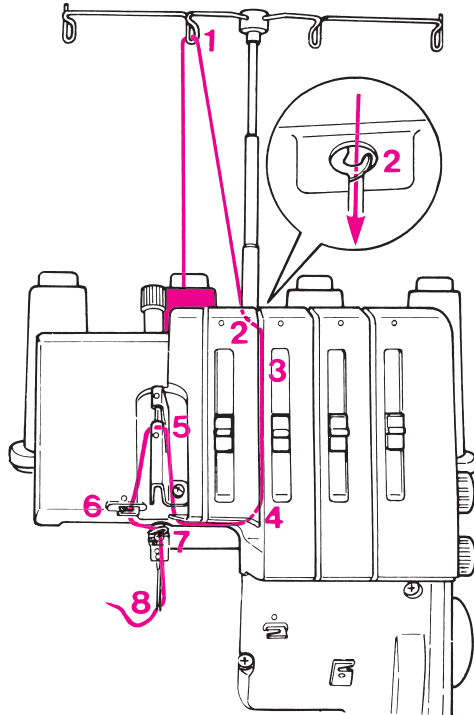
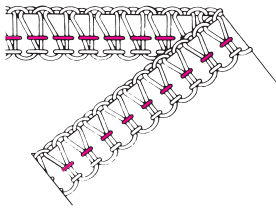
### Note:

If the lower looper has to be re-threaded, cut both needle threads off at the needle and remove surplus thread from below. Thread the lower looper and then re-thread the needles.





# Threading



## 3. Right-hand needle, green markings

**!** • Switch the machine off (Power switch to “0”).

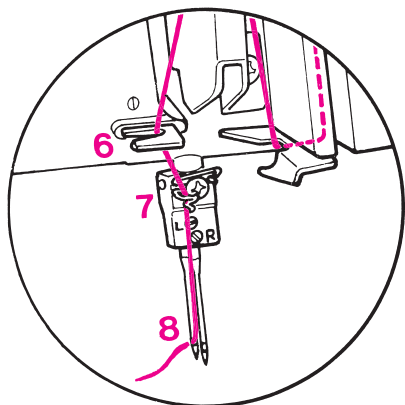
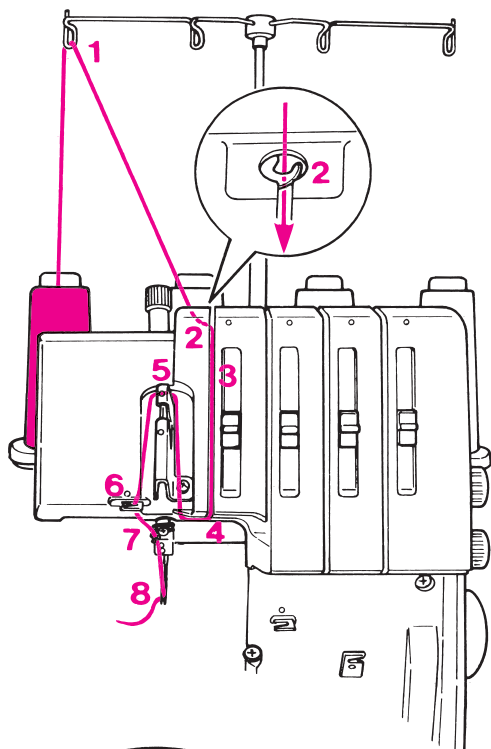
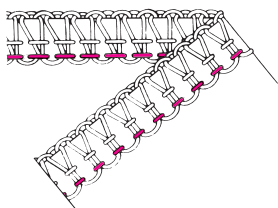
Place the spool on the spool holder pin as illustrated.

- (1) Bring the thread up from the spool and lay it from back to front into the guide (second from left)
- (2) Take the thread with both hands and lay it in the groove. Press the thread down into the 1st guide on the machine until it clicks into place.
- (3) Slip the thread through the groove.
- (4,5) Take the thread under the thread guide plate to the left and through the take up.
- (6) Thread the guide.
- (7) Thread the guide on the needle clamp.
- (8) Turn the handwheel towards you until the needles are fully raised. Thread the right hand needle front to back.
- (9) Place the thread under the presser foot.

### Note:

If the lower looper has to be re-threaded, cut both needle threads off at the needle and remove surplus thread from below. Thread the lower looper and then re-thread the needles.

# Threading



## 4. Left-hand needle, yellow markings

**!** • Switch the machine off (Power switch to “0”).

Place the spool on the spool holder pin as illustrated.

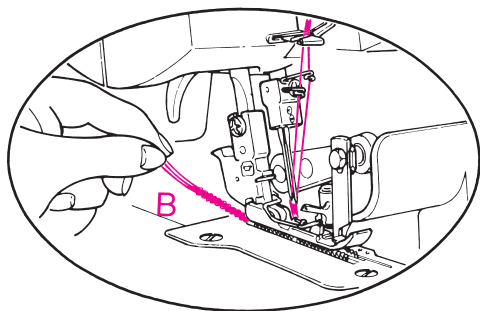
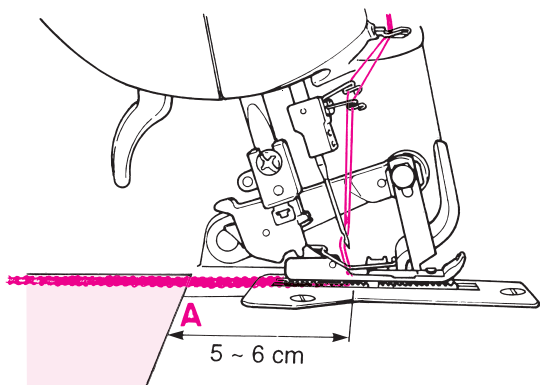
- (1) Bring the thread up from the spool and lay it from back to front into the guide (left one).
- (2) Take the thread with both hands and lay it in the groove. Press the thread down into the 1st guide on the machine until it clicks into place.
- (3) Slip the thread through the groove.
- (4,5) Take the thread under the thread guide plate to the left and through the take up.
- (6) Thread the guide.
- (7) Thread the guide on the needle clamp.
- (8) Turn the handwheel towards you until the needles are fully raised. Thread the left hand needle front to back.
- (9) Place the thread under the presser foot.

When threading is complete, lower the upper knife, close the looper cover and cloth plate.

### Note:

If the lower looper has to be re-threaded, cut both needle threads off at the needle and remove surplus thread from below. Thread the looper and then re-thread the needles.

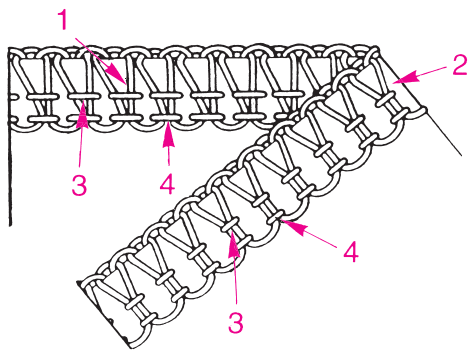
# Trial sewing, Thread tension



## Sewing test

After threading make a trail run. Always use a double layer of fabric to properly check the stitch formation and thread tension.

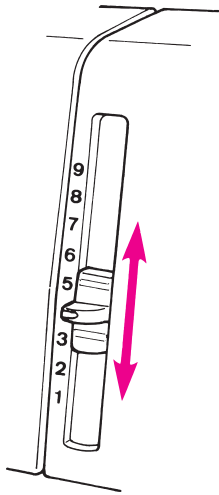
- Switch the machine on ("I").
- Set all tensions to 4.
- Stitch length, differential, cutting width (see adjustment & settings).
- Lower the upper knife.
- Lower the presser foot.
- Raise the front of the presser foot slightly with your thumb and position the fabric under the foot just up to the knife. Sew.
- At the end of the seam continue sewing a 8cm (3") long thread chain (A). Cut threads.
- When using thread such as cordonet or similar, pull out the thread chain (B) carefully by hand as it might catch in the stitch plate.



## Check your trial run

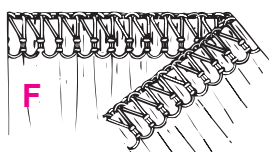
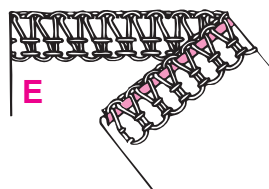
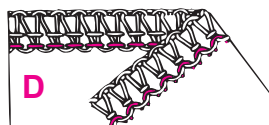
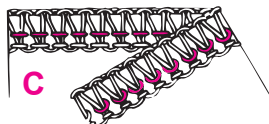
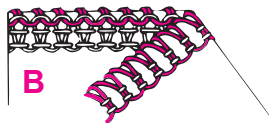
1. Upper looper thread (blue).
2. Lower looper thread (red).
3. Right- hand needle thread (green).
4. Left- hand needle thread (yellow).

Perfect stitch formation is when both looper threads meet at the fabric edge. The needle threads form straight stitches for a stretchy and durable seam.



## Thread tension

Thread tension should be adjusted to suit the various types of work. The ideal thread tension for most fabrics and threads is between 3 and 5. However this can vary quite considerably when special threads such as filament, woolly nylon, buttonhole twist (cordonet), pearl yarn or decorative threads are used. Infinitely variable adjustments can be made from 1-9. Move the lever upwards for more tension, move the lever downwards for less tension.



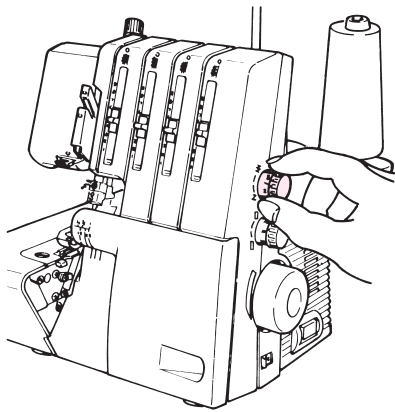
## Adjusting the thread tension

Lower or raise the tension levers by only half or one number, then test sew again and check the result.

- The loops are formed on the underside:  
Tighten the upper looper thread tension, (blue) or loosen the lower looper thread tension, red (A).
- The loops are formed on the upper- side:  
Tighten the lower looper thread tension, (red) or loosen the upper looper thread tension, blue (B).
- The right- hand needle thread forms loops on the underside:  
Tighten the right- hand needle thread tension, green (C).
- The left- hand needle forms loops on the underside:  
Tighten the left- hand needle thread tension, yellow (D).
- The edge of the fabric curls up, tension for both looper threads is too tight:  
Loosen upper and lower looper thread tension, blue and red (E).
- The fabric puckers during sewing:  
Loosen the right- or left-hand needle thread tension, green or yellow (F).

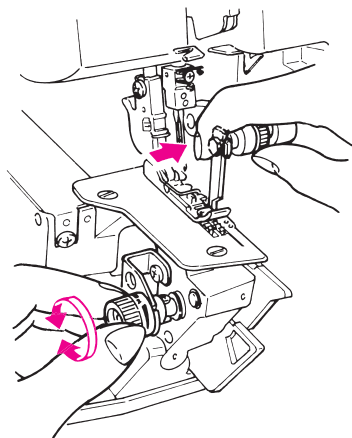
# Adjustments and settings

---



## Stitch length

It can be adjusted while sewing. The stitch length is infinitely variable from 1-4mm. Most overlock work is done with a basic setting of 2.5mm.



## Cutting width

**!** • Switch the machine off (Power switch to “0”).

- Open the cloth plate. Raise presser foot.
- Push upper knife to the right and turn cutting width dial in the direction desired.
- Close cloth plate cover and lower presser foot.

### Cutting width:

1 = 3 - 5 mm seam width

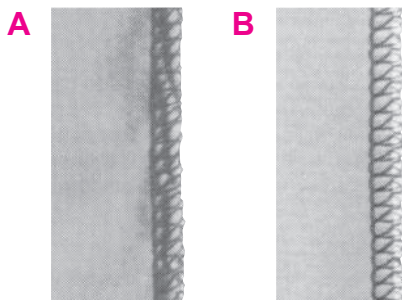
2 = 4 - 6 mm seam width

3 = 5 - 7 mm seam width

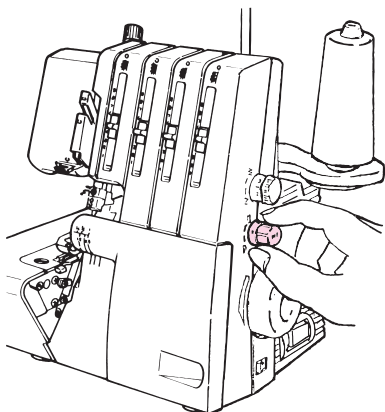
The position of the lower knife determines the width of the seam.

Reduce cutting width (knife moves to the left) if the edges of the fabrics curl up (A).

Increase the cutting width (knife moves to the right) if the loops are too loose (B).



# Adjustments and settings



## Differential feed

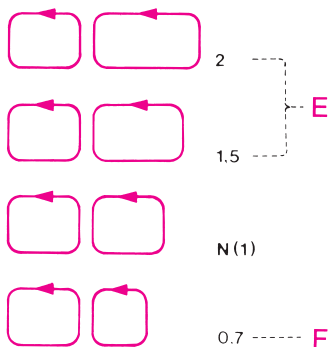
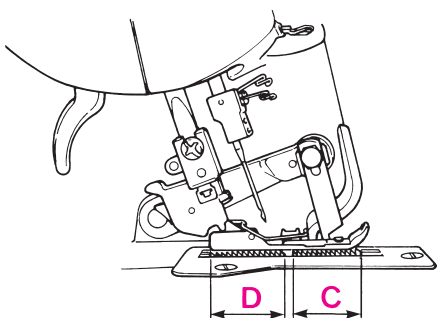
There are two feed dogs, one front (C) and one rear (D). The two feed dogs travel independently and the distance each feed dog travels during one complete movement can be adjusted. The differential feed prevents fluting or waving in knitted or stretch fabrics and or closely woven fabric (E).

## Perfectly flat seams in knits or stretch fabrics

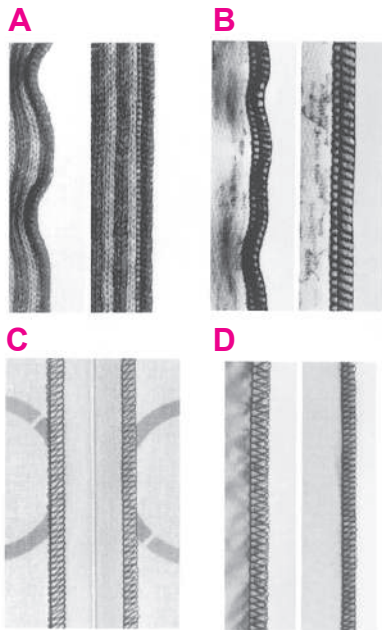
The distance travelled by the front feed dog should be greater than that of the rear feed dog. The front feed dog therefore, feeds an amount of fabric which the rear feed dog can take up behind the needle without stretching the fabric.

## Pucker-free seams in nylon or closely woven fabrics

The distance travelled by the rear feed dog should be greater than that of the front feed dog. The front feed dog therefore, holds the fabric back so that the rear feed dog can take it up behind the needle without any puckering. (F).



# Adjustments and settings



## Adjusting the differential feed

The differential feed can be adjusted by simply turning the differential feed adjustment dial in the direction desired. Always make a trial run. The differential feed is infinitely variable and can be adjusted while sewing.

	Effect	Fabric
2	Wave-free seams (A)	Thick wool knits, hand knitted articles, very stretchy fabrics
1.5	Wave-free seams (B)	Cotton silk, synthetic jersey, sweatshirt fabrics and fine knits
N	Normal feed (C)	Woven fabrics
0.7	No puckering (D)	Fine nylon jersey, closely woven fabrics, lining fabric, satin, poplin

## Gathering

Using the differential feed a single layer of fabric can be gathered before sewing it to a garment.

For example, sleeve heads and lower edges, yokes, lace edging or frills.

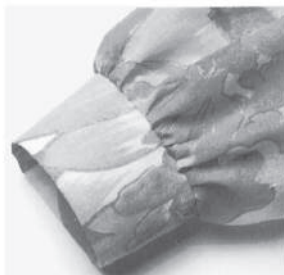
### Adjustment:

- Stitch - 4 thread overlock
- Differential feed – 2
- Stitch length - 3-4
- Cutting width - 2-3

Increase the needle thread tension (6-8) for a tighter gather.

### Note:

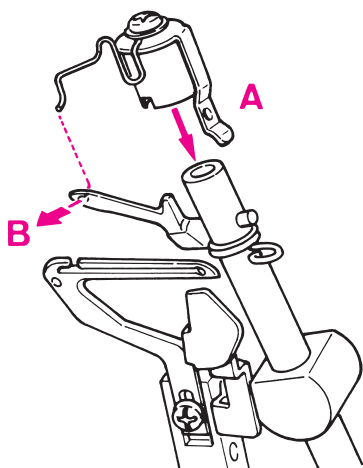
When sewing without differential feed, turn the adjustment knob to “N”.



## Adjustments and settings

---

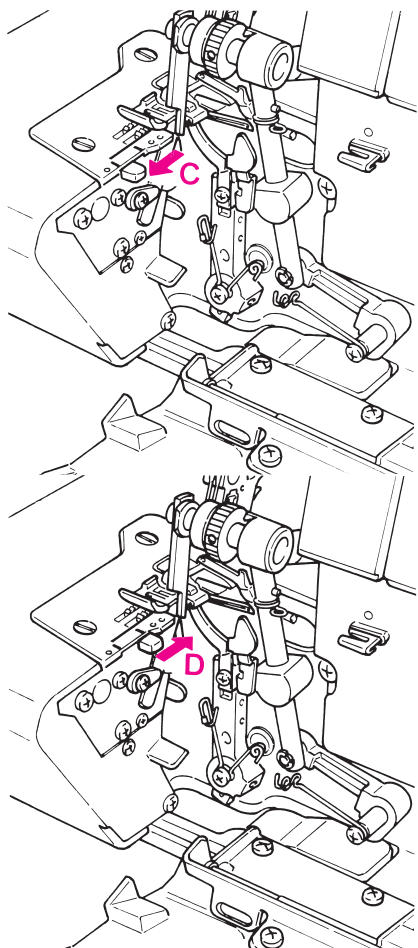
### Upper looper converter



Use the upper looper converter to sew stitches with one looper thread, such as 2-thread roll hem, 2-thread flatlock and 2-thread overlock.

- Turn the handwheel to lower the needles.
- Switch the machine off “O”.
- Open the looper cover.
- Attach the converter (accessory bag) to the upper looper arm (A). Insert the wire hook into the upper looper eye (B) from back to front.

The upper looper has now been converted, i.e. it no longer carries thread but it diverts the lower looper thread so that loops are formed round the edge of the fabric.



### Roll hemming

- Turn the handwheel towards you until the needles are fully raised.
- For roll hemming, pull the selection lever to the front marking on the stitch plate, furthest from the presser foot (C).
- For overlocking push the selection lever forwards to the rear marking on the stitch plate, nearest the presser foot (D).

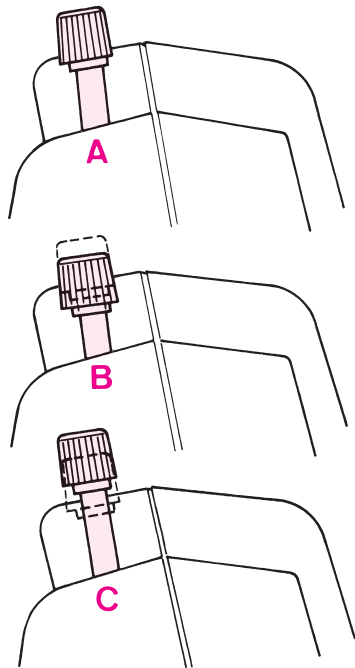
The roll hemmer is fully integrated in the machine.

The edge of the fabric will be automatically rolled over, producing a very narrow, fine seam or hem. Roll hemming is ideal for finishing edges on all fine fabrics, such as evening clothes, lingerie, scarves, frills and also for curtains and napkins.



## Adjustments and settings

---



### Presser foot pressure

The presser foot pressure is factory adjusted to a medium setting. Should you wish to adjust it, simply turn the knob in the direction desired:

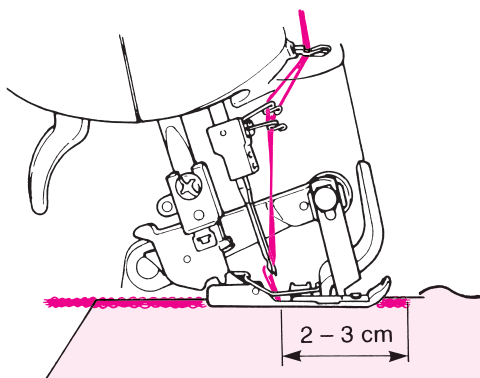
Position of knob for normal pressure (A)

More pressure: for thick or stiff fabrics such as denim, tweed, firm linen (B)

Less pressure: for lightweight or sheer fabrics and knits (C).

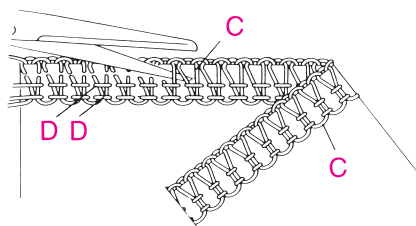
## Settings and practical sewing

---



### Thread breakage during sewing

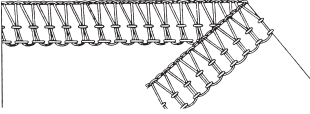
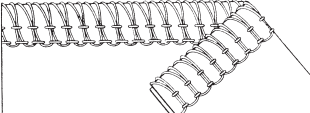
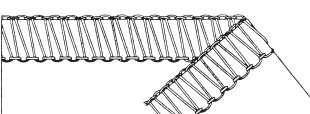
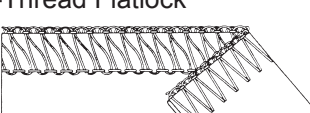

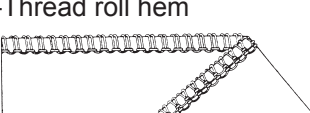
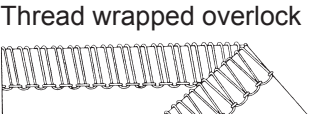
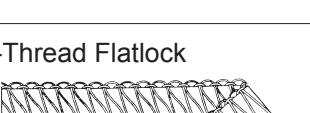

Sew off immediately at an angle and remove the work. Re-thread. If the lower looper thread has broken, cut off both needle threads at the needles and remove the thread. First thread the looper then the needles. Start sewing again about 2-3 cm in front of where the thread broke.



### Unpicking seams

Using sharp scissors, cut the loops (C). Pull the needle thread (D) and the stitches will come undone.

# Stitch chart

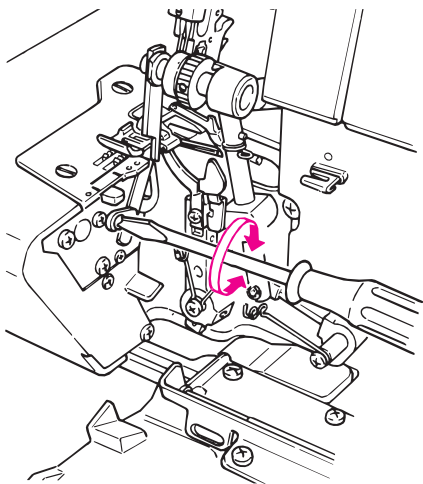
Stitch	Stitch width	Thread tension	Basic settings
4-Thread overlock with integrated safety seam 	5-7 mm right and left needles	Left needle (yellow) 3-5 Right needle (green) 3-5 Upper looper (blue) 3-5 Lower looper (red) 3-5	Stitch length: 2.5 Cutting width: 2 Differential: N-2 (knits) 0.7-N (wovens)
3-Thread super stretch 	5-7 mm right and left needles	Left needle (yellow) 3-5 Right needle (green) 3-5 Lower looper (red) 3-5	Stitch length: 2.5 Cutting width: 1-2 Differential: N-2 Upper looper converter
3-Thread overlock 	3-5 mm right needle, 5-7 mm left needle	Left needle (yellow) 3-5 Right needle (green) 3-5 Upper looper (blue) 3-5 Lower looper (red) 3-5	Stitch length: 2.5 Cutting width: 2 Differential: N-1.5 (knits) 0.7-N (wovens)
3-Thread Flatlock 	3-5 mm right needle, 5-7 mm left needle	Left needle (yellow) 1-2 Right needle (green) 1-2 Upper looper (blue) 3-5 Lower looper (red) 7-9	Stitch length: 2.5 Cutting width: 2 Differential: N-1.5 (knits) 0.7-N (wovens)
3-Thread narrow seam 	1.5 mm right needle	Right needle (green) 3-5 Upper looper (blue) 3-5 Lower looper (red) 3-5	Stitch length: 1-1.8 Cutting width: 1-1.5 Differential: N-0.7 Stitch lever: roll hem
3-Thread roll hem 	1.5 mm right needle	Right needle (green) 3-5 Upper looper (blue) 3-5 Lower looper (red) 7-9	Stitch length: 1-1.8 Cutting width: 1-1.5 Differential: N-0.7 Stitch lever: roll hem
2 Thread wrapped overlock 	3-5 mm right needle 5-7 mm left needle	Left needle (yellow) 3-5 Right needle (green) 3-5 Lower looper (red) 2-4	Stitch length: 2.5 Cutting width: 2 Differential: N-1.5 (knits) 0.7-N (wovens) Upper looper converter
2-Thread Flatlock 	3-5 mm right needle 5-7 mm left needle	Left needle (yellow) 1-2 Right needle (green) 1-2 Lower looper (red) 3-5	Stitch length: min. 2.5 Cutting width: 2 Differential: N Upper looper converter
2-Thread roll hem 	1.5 mm right needle	Right needle (green) 3-5 Lower looper (red) 3-5	Stitch length: 1-1.8 Cutting width: 1-1.5 Differential: N-0.7 Stitch lever: roll hem Upper looper converter



**WARNING** Please refer to the safety instructions!

### Changing the upper knife

The upper knife (moving knife) is made from special hardened material. Should it get damaged, it can be replaced by your local dealer.

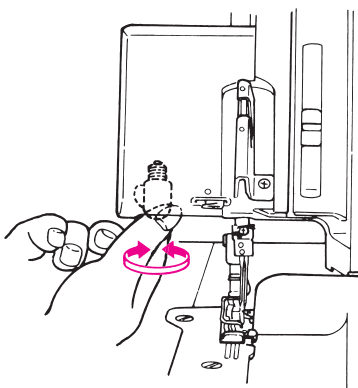


### Changing the lower knife

 **Disconnect machine from electricity supply.**

Replacing the knives

Should the knives get damaged, they can be replaced by your local dealer.

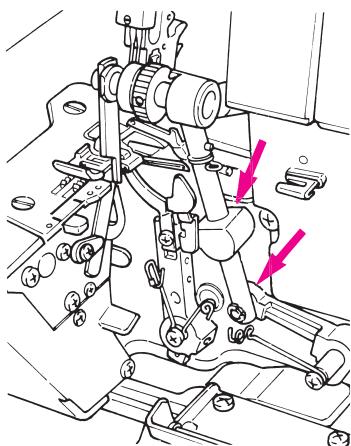


### Replacing the bulb


 **Switch machine off. (Power switch to „0“). Disconnect machine from electricity supply.**

Unscrew the bulb and replace it with a new one.

The bulbs are max.15 Watt for 120V machines and max.10 Watt for 220-240V machines. They are available from your local dealer.



### Cleaning and lubricating

 **Switch the machine off (power switch to “O”). Disconnect machine from electricity supply.**

During sewing, dust and fluff collect in and on the machine. This should be removed regularly.

Your overlock machine requires very little lubrication. Now and then, lubricate only the points illustrated. Please refer to safety instructions.

#### **Precautions to be taken when handling oil**

- \* In the event the oil gets in the eye or adheres on skin, immediately wash it off in order to prevent irritation and rash.
- \* If swallowed accidentally, immediately seek for medical advice in order to prevent diarrhea and vomiting.
- \* Keep the oil away from children.
- \* Oil disposal is obliged by legislation. Dispose of the oil properly in compliance with the relevant legislation.

# Trouble shooting

Problem	Cause	Solution	Page
The machine does not sew	<ul style="list-style-type: none"> <li>The main switch is not on.</li> <li>The machine is not plugged in.</li> </ul>	<ul style="list-style-type: none"> <li>Switch machine on. (power switch to "I").</li> <li>Insert plug in main socket.</li> </ul>	8
			7
Fabric does not feed evenly	<ul style="list-style-type: none"> <li>Differential feed is adjusted incorrectly.</li> <li>Presser foot pressure is too low.</li> <li>Lower or upper knife is too blunt or wrongly positioned.</li> </ul>	<ul style="list-style-type: none"> <li>Check the differential feed setting.</li> <li>Adjust the presser foot pressure.</li> <li>Replace the upper or lower knife.</li> </ul>	20
			23
			25
Thread breaks	<ul style="list-style-type: none"> <li>Thread tension is too tight for the thread being used.</li> <li>The machine is not threaded correctly.</li> <li>Needles are inserted incorrectly.</li> <li>Wrong needles used.</li> </ul>	<ul style="list-style-type: none"> <li>Reduce thread tension.</li> <li>Check the threading.</li> <li>Insert needles fully into needle clamp, with the flat side to the back.</li> <li>Use the needle system 130/705H.</li> </ul>	18
			13-16
			11
			11
Needles break	<ul style="list-style-type: none"> <li>Needles are bent or blunt, points are damaged.</li> <li>Needles are not inserted correctly.</li> <li>Fabric was pulled while sewing.</li> </ul>	<ul style="list-style-type: none"> <li>Replace needles.</li> <li>Insert needles fully into needle clamp, with the flat side to the back.</li> <li>Guide fabric gently with both hands.</li> </ul>	11
			11
			--
Skipped stitches	<ul style="list-style-type: none"> <li>Needles are bent or blunt.</li> <li>Wrong needles used.</li> <li>Presser foot pressure is too low.</li> </ul>	<ul style="list-style-type: none"> <li>Replace the needles.</li> <li>Use needle system 130/705H.</li> <li>Increase presser foot pressure.</li> </ul>	11
			11
			23
Poor stitch formation	<ul style="list-style-type: none"> <li>Threads are not correctly between the tension discs.</li> <li>Thread has got caught.</li> <li>Machine is threaded incorrectly.</li> </ul>	<ul style="list-style-type: none"> <li>Check if thread is lying between tension discs.</li> <li>Raise the presser foot and pull the thread.</li> <li>Check threading path of each thread.</li> <li>Check threading path of each thread.</li> </ul>	12
			9
			13-16
			13-16
Seams flute or wave, especially when sewing knits	<ul style="list-style-type: none"> <li>Fabric was pulled while sewing.</li> <li>Presser foot pressure is too high.</li> <li>Differential feed is set incorrectly.</li> </ul>	<ul style="list-style-type: none"> <li>Guide fabric gently.</li> <li>Reduce presser foot pressure.</li> <li>Adjust differential feed to N-2.</li> </ul>	--
			23
			20
Seams pucker	<ul style="list-style-type: none"> <li>Needle thread tension is too high.</li> <li>Differential feed is set incorrectly.</li> </ul>	<ul style="list-style-type: none"> <li>Reduce the needle thread tension.</li> <li>Adjust differential feed to 0.7-N.</li> </ul>	18
			20
Fabric edges curl	<ul style="list-style-type: none"> <li>Too much fabric is in the stitch.</li> <li>Thread tension is too high.</li> <li>Stitch selection lever is on roll hem.</li> </ul>	<ul style="list-style-type: none"> <li>Reduce cutting width.</li> <li>Reduce thread tension.</li> <li>Set selection lever to overlock.</li> </ul>	19
			18
			22
Thread loops are too	<ul style="list-style-type: none"> <li>Too little fabric in the stitch.</li> </ul>	<ul style="list-style-type: none"> <li>Increase the cutting width.</li> </ul>	19

## Technical data

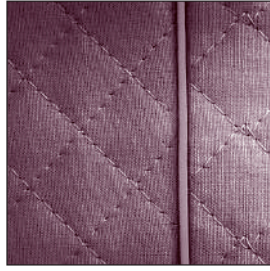
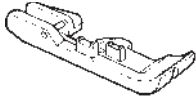
---

Stitch choice	2 needles, 2 loopers: 4 thread overlock with integrated safety seam 1 needle, 2 loopers: 3 thread flatlock, narrow seam, roll hem 1 needle, 1 looper: 2 thread overlock, flatlock, roll hem 2 needles, 1 looper: 3 thread super stretch
Needle system	130/705H
Seam width	3-5 mm (2/3 thread overlock) 5-7 mm (4 thread overlock, 3 thread super stretch)
Stitch length	1-4 mm
Differential feed	No waving or fluting in knits N-2 No puckering 0.7 - N
Presser foot lift	5 mm
Handwheel	Rotates forwards
Sewing speed	Up to 1500 sti/min
Weight	7 kg
Dimensions	315(W) × 290(D) × 290(H) mm
Foot control model nr.	YC-482 (USA and Canada only) YC-483N (220-240V)

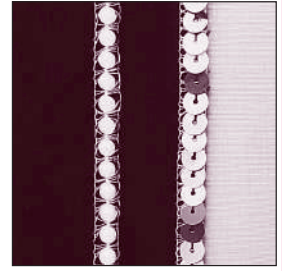
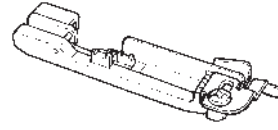
We reserve the right to make changes in the interest of technical progress.

## Optional Accessories

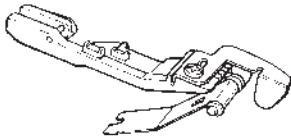
- Piping presser foot



- Beading presser foot



- Gathering presser foot



Contact your local dealer.

# “NORMAS DE SEGURIDAD IMPORTANTES”

---

Cuando se usa un aparato eléctrico deben respetarse las siguientes normas de seguridad:

## “PELIGRO \_\_\_ para reducir el riesgo de electrochoque:”

1. No dejar nunca la máquina de punto cadeneta y cobertura sin vigilancia si ella está enchufada.
2. Después de coser y antes de los trabajos de mantenimiento, la máquina debe desconectarse quitando el enchufe de la red eléctrica.


## “ADVERTENCIA \_\_\_ para reducir el riesgo de quemaduras, fuego, electrochoque o el riesgo de herir personas:”

1. Este aparato doméstico no es ningún juguete. Tener mayor cuidado si la máquina la usan los niños o si se usa cerca de ellos. Esta máquina de coser puede ser utilizado por niños de edades comprendidas entre 8 y más años y las personas con capacidades físicas, sensoriales o mentales, o con falta de experiencia y conocimiento si han sido supervisados o instruidos acerca del uso de la máquina de coser de una manera segura y entender los riesgos involucrados. los niños no deben jugar con la máquina de coser. Limpieza y mantenimiento de usuario no puede estar por niños sin supervisión.
2. Usar esta máquina para los fines descritos en esta guía. Usar únicamente los accesorios recomendados por el fabricante.
3. Nunca utilizar esta máquina en caso que el cable eléctrico or el conector están dañados, si la máquina no trabaja correctamente, si se ha caído o ha sido dañada o se ha mojado con agua. Llevar la máquina a reparar al centro autorizado, para ser examinada, reparada eléctrica o mecánicamente.
4. No bloquear las aperturas de refrigeración durante el uso de la máquina. Mantener estas aperturas abiertas, sin residuos o restos de ropa.
5. No acercarse nunca los dedos a las partes móviles, sobre todo cerca de la aguja.
6. Usar siempre una placa-aguja original. Una placa-aguja falsa puede romper la aguja.
7. No usar agujas torcidas.
8. Durante la costura, ni tirar de la ropa ni empujarla. Esto podría romper la aguja.
9. Al ejecutar el cosido, asegúrese de que no haya ningún alfiler clavado en el material. De lo contrario, puede ocurrir la rotura de agujas/cuchillas. Además, con excepción de la tela y el hilo, no intente cortar nada con las cuchillas superior/inferior.
10. Las manipulaciones en la zona de la aguja, por ejemplo, enhebrar, cambiar la aguja o un pie prensatelas, etc. siempre deben hacerse con el interruptor principal a “O”..
11. Antes de los trabajos de mantenimiento descritos en la guía, como p.ej. limpieza, enhebrado de la lanzadera, cambio de bombillas, etc. debe desconectarse la máquina quitando el enchufe de la red eléctrica.
12. No meter ningunos objetos dentro de las aperturas de la máquina.
13. No usar la máquina al aire libre.
14. No usar la máquina en sitios donde se utilizan productos con gas propelentes (sprays) u oxígeno.
15. Para desconectar la máquina, colocar el interruptor principal a “O” y quitar el enchufe de la red.
16. Desenchufar de la red tirando siempre del enchufe y no del cable.
17. Generalmente, cuando la máquina no se usa tiene que desconectarse quitando el enchufe de la red eléctrica.
18. Esta máquina está dotada de un aislamiento doble. Utilizar únicamente piezas de recambio originales. Observar las indicaciones para el mantenimiento de productos con aislamiento doble.
19. Esta máquina está dotada de aislamiento doble, excepto en máquinas destinadas a EE.UU./ Canadá. Utilizar únicamente piezas de recambio idénticas. Véanse las instrucciones para el mantenimiento de máquinas con aislamiento doble.

## “MANTENIMIENTO DE PRODUCTOS DE ISOLACION DOBLE”

Un producto de aislamiento doble tiene dos unidades de aislamiento en vez de una toma de tierra. En un producto de aislamiento doble no hay una toma de tierra, y tampoco debe incluirse una. El mantenimiento de un producto de aislamiento doble requiere mucha atención y conocimiento del sistema. Pos eso sólo un especialista puede hacer este trabajo de mantenimiento.

Usar únicamente piezas de recambio originales. Un producto de aislamiento doble está marcado con: “Doble aislamiento” o “Isolación doble”.

El símbolo  puede también indicar semejante producto.

## “GUARDE BIEN ESTAS NORMAS DE SEGURIDAD”

Esta máquina de punto cadeneta y cobertura está solamente destinada para el uso doméstico.

Felicitaciones por haber adquirido una máquina de coser JUKI.



Asegúrese de leer las precauciones de seguridad indicadas en el apartado “Uso seguro de la máquina de coser” del Manual de instrucciones antes del uso para comprender plenamente las funciones y procedimientos de operación de la máquina de coser de modo que pueda utilizarla durante mucho tiempo.

Una vez leído el Manual de instrucciones, asegúrese de guardarlo junto con la garantía de modo que pueda consultarlo cuando sea necesario.

## Uso seguro de la máquina de coser

Las marcas y los pictogramas incluidos en el Manual de instrucciones y mostrados en la máquina de coser se utilizan con la finalidad de garantizar el funcionamiento seguro de la máquina de coser y evitar posibles riesgos de lesión al usuario y a terceros.

Las marcas de advertencia se utilizan con distintas finalidades, tal y como se describe a continuación.

 <b>ADVERTENCIA</b>	Indica que existe el posible riesgo de muerte o lesiones graves si esta marca es ignorada y la máquina de coser se utiliza de forma incorrecta.
 <b>PRECAUCIÓN</b>	Indica la operación, etc., que puede causar un posible riesgo de lesiones personales y/o daños físicos si esta marca es ignorada y la máquina de coser es utilizada de forma incorrecta.

A continuación se indica el significado de los pictogramas:

	Advertencia de peligro no especificada		Existe el riesgo de sufrir descargas eléctricas		Existe riesgo de incendio		Existe riesgo de lesionarse las manos, etc.
	Prohibición no especificada		Desmontaje/ alteración prohibido		No coloque sus dedos debajo de la aguja		No vierta el aceite, etc
	Comportamiento generalmente necesario		Desconecte la clavija de alimentación				



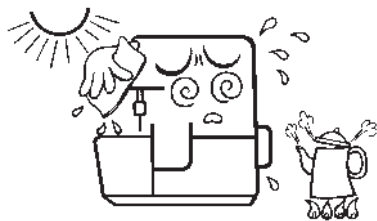
## **⚠️ ADVERTENCIA**

Para la combinación del material y el hilo de aguja, en particular, consulte la tabla de explicación en “Sustitución de la aguja”.

Si la aguja o el hilo no coinciden con el material utilizado, como por ejemplo en el caso de coser un material muy pesado (p. ej., tela vaquera) con una aguja fina (#11 o más), la aguja podría romperse y causar lesiones personales inesperadas.

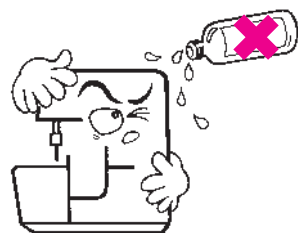
### **Otras precauciones**

- No coloque la máquina de coser en lugares en los que esté expuesta a la luz solar directa o a la humedad.



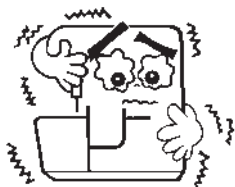
- No limpie la máquina de coser con disolventes, como por ejemplo diluyente.

Si la máquina de coser está sucia, aplique una pequeña cantidad de detergente neutro en un paño suave y limpie cuidadosamente la máquina de coser con él.



Tenga en cuenta que el siguiente estado puede tener lugar desde que la máquina de coser incorpore partes electrónicas semiconductoras y componentes precisos circuitos electrónicos.

- Asegúrese de utilizar la máquina de coser a temperaturas de entre 5 °C a 40 °C. Si la temperatura es excesivamente baja, la máquina podría no funcionar con normalidad.



\* La temperatura de operación de la máquina de coser es de entre 5 °C a 40 °C. No utilice la máquina de coser bajo la luz solar directa, cerca de aparatos de combustión, como por ejemplo una estufa o una vela, o en lugares húmedos.

Si lo hace, la temperatura interior de la máquina de coser podría aumentar o el recubrimiento del cable de alimentación podría derretirse, causando incendios o descargas eléctricas.

# Índice

---

Normas de seguridad .....	1-3
Índice .....	4
Detalles de la máquina .....	5,6
• Accesorios .....	6
Preparación de la máquina .....	7
• Pedal de mando .....	7
• Guía-hilo .....	8
• Bobinas .....	8

## Puesta en marcha

• Interruptor principal y de la luz .....	8
• Palanca alza-prensateles .....	8
• Cambio del pie prensateles .....	9
• Tapa de la lanzadera .....	9
• Tapa de la mesa de trabajo .....	9
• Volante .....	10
• Subir la cuchilla superior .....	10
• Colocación de las agujas .....	11
• Agujas y máquina .....	11

## Enhebrado

• Preparación .....	12
• Lanzadera superior/inferior .....	13,14
• Agujas derechas/izquierdas .....	15,16

## Costura de prueba

• Costura de prueba .....	17
• Tensión del hilo .....	18
• Adaptar la tensión del hilo .....	18

## Regulación y manejo

• Largo del punto .....	19
• Ancho del punto .....	19
• Transporte diferencial .....	20
• Fruncimiento .....	21
• Transformador lanzadera ciega .....	22
• Doblado enrollado .....	22
• Presión del pie prensateles .....	23

## Costura práctica

• El hilo se rompe .....	23
• Abrir puntos .....	23

Tabla de puntos .....	24
-----------------------	----

## Mantenimiento

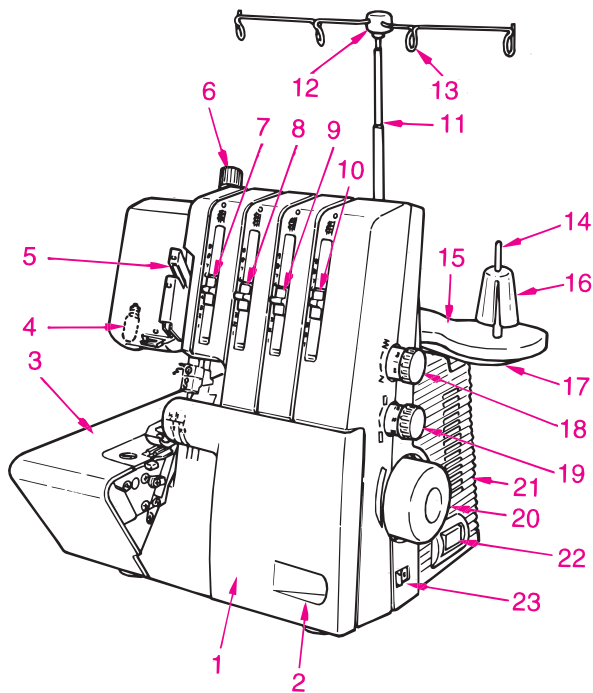
• Cambio de las cuchillas .....	25
• Cambio de la bombilla .....	25
• Limpieza y engrase .....	25

Ayuda en caso de averías .....	26
--------------------------------	----

Datos técnicos .....	27
----------------------	----

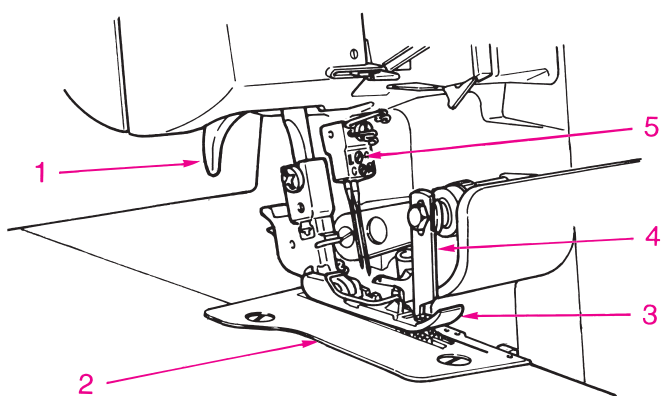
Accesorios opcionales .....	28
-----------------------------	----

## Detalles de la máquina



### Detalles de la máquina

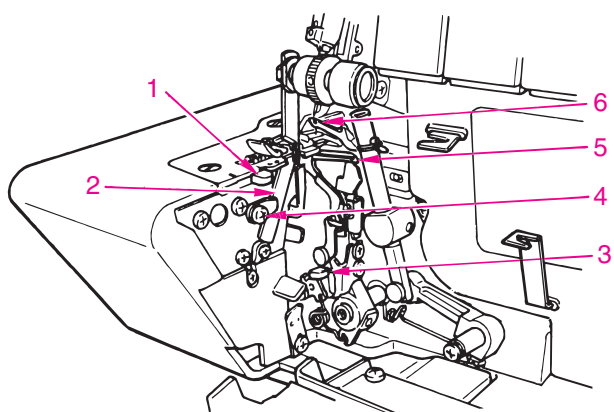
1. Tapa de la lanzadera con protección de la cuchilla integrada
2. Guía para abrir la tapa de la lanzadera
3. Tapa de la mesa de trabajo
4. Luz
5. Protección tensor de hilo
6. Tornillo de ajuste de la presión del pie prensatelas
7. Corredera izquierda para la tensión del hilo de la aguja
8. Corredera derecha para la tensión del hilo de la aguja
9. Corredera para la tensión del hilo de la lanzadera superior
10. Corredera para la tensión del hilo de la lanzadera inferior
11. Soporte telescópico del guía-hilo
12. Guía-hilo
13. Guía-hilo abierto
14. Espiga para la bobina
15. Base de material esponjado
16. Cono antivibrador
17. Porta-bobinas
18. Botón regulador del largo del punto
19. Botón regulador del transporte diferencial
20. Volante
21. Tapa posterior
22. Enchufe para la red eléctrica
23. Interruptor principal y de la luz



### Detalles de la máquina

1. Palanca alza-prensatelas
2. Placa-aguja
3. Pie prensatelas
4. Cuchilla superior
5. Sujeta-agujas

## Detalles de la máquina

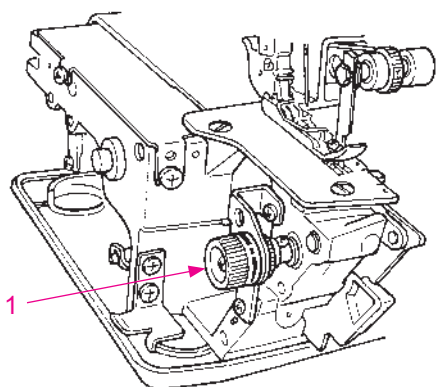


### Precaución

Asegúrese de apagar el interruptor de alimentación antes de abrir la tapa.

### Vista con la tapa de la lanzadera abierta

1. Palanca selectora del punto para overlock o dobladillo enrollado
2. Cuchilla inferior
3. Enhebrador automático de la lanzadera inferior
4. Tornillo de fijación de la cuchilla inferior
5. Lanzadera inferior
6. Lanzadera superior

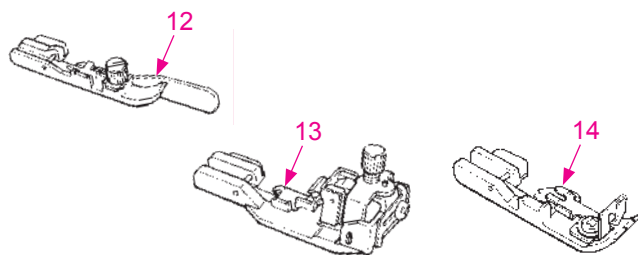
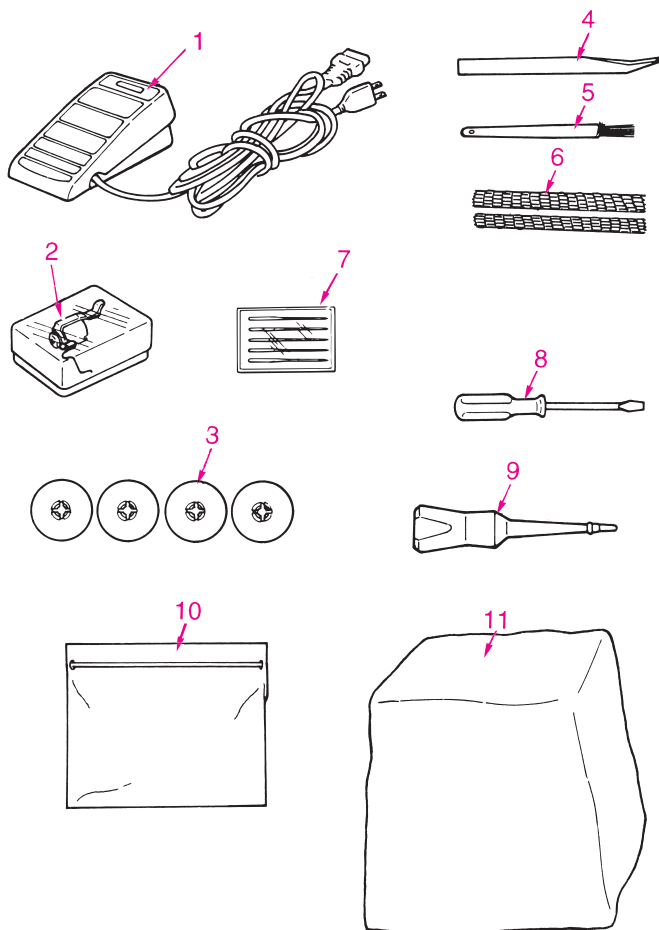


### Vista de la placa de la tela abierta

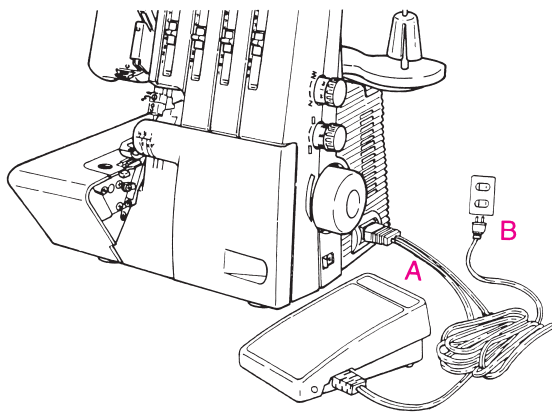
1. Perilla de ajuste del cuchillo

## Accesorios

1. Pedal de mando electrónico
2. Transformador lanzadera ciega (= cubierta de la lanzadera superior)
3. Arandelas guía-hilo
4. Pinzas
5. Pincel/coloca-agujas
6. Redes
7. Juego de agujas 130/705H
8. Destornillador pequeño
9. Aceitera
10. Bolsa de accesorios
11. Funda contra el polvo
12. Pie prensatelas de puntada ciega
13. Elasticador
14. Pie prensatelas de acordeonado



## Preparación de la máquina



### Conexión del pedal de mando

Enchufar el pedal de mando en la máquina de coser (A) y seguidamente enchufar el enchufe en la red eléctrica (B).

Apretando más o menos el pedal de mando puede regularse la velocidad de la costura.

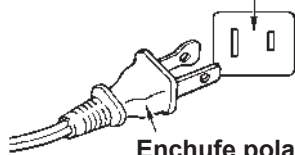
### ! “ADVERTENCIA”

Este aparato tiene un enchufe polarizado (una patilla más ancha que la otra). Para reducir el riesgo de descarga eléctrica, este enchufe está ideado para que encaje en una toma polarizada sólo de una forma. Si el enchufe no encaja en la toma, enchúfelo al revés.

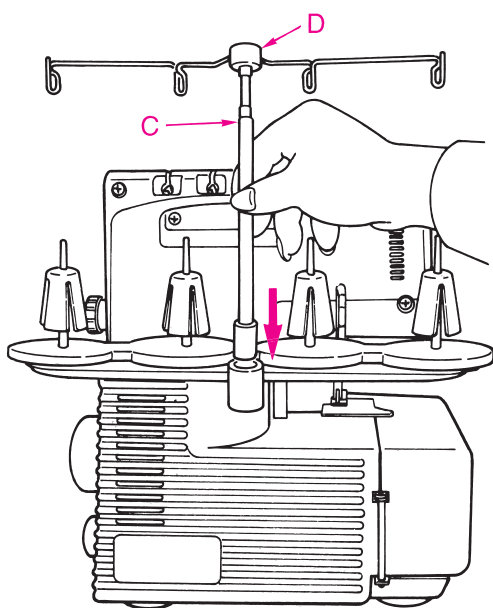
Si todavía no encaja, póngase en contacto con un electricista cualificado para instalar la toma correcta.

No modifique el enchufe de ningún modo. (sólo para EE.UU. y Canadá).

### Tomacorriente principal polarizado



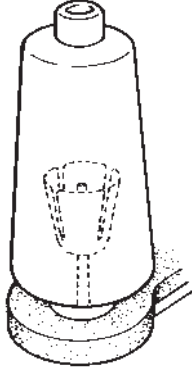
Enchufe polarizado  
(solamente para EE.UU.  
y Canadá)



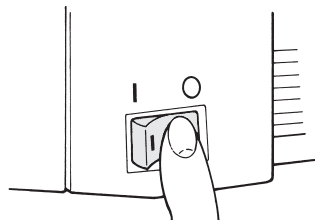
### Guía-hilo

Estirar completamente el soporte telescópico del guía-hilo y girarlo ligeramente hasta que se enganche en la posición correspondiente (C). Insertar el guía-hilo en el soporte telescópico (D) de manera que la flecha mire hacia adelante.

## Preparación de la máquina

 <p><b>Colocación de las bobinas</b></p> <p>Para los conos normales colocar los antivibradores en las espigas con la parte ancha hacia abajo.</p>	 <p><b>Bobinas grandes</b></p> <p>Para los conos grandes, colocar los antivibradores al revés, es decir la parte ancha hacia arriba.</p>
 <p><b>Bobinas domésticas</b></p> <p>Para las bobinas corrientes quitar los antivibradores. Colocar las bobinas y fijarlas con las arandelas guía-hilo, el borde redondeado mirando hacia abajo.</p>	 <p><b>Redes para el hilo</b></p> <p>Si se usan hilos finos que se desenrollan fácilmente, entonces asegurar el hilo usando las redes que se encuentran en la bolsa de accesorios.</p>

## Puesta en marcha

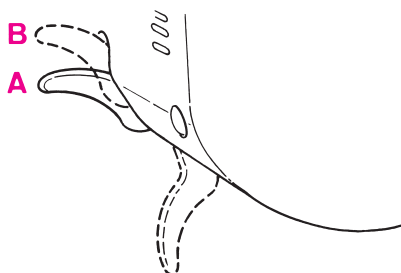
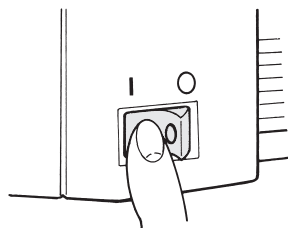


### Interruptor principal y de la luz

El interruptor principal y de la luz se encuentra en la parte del volante.

O = desconectado

I = conectado con luz

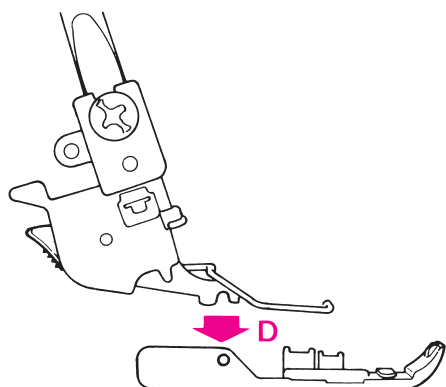
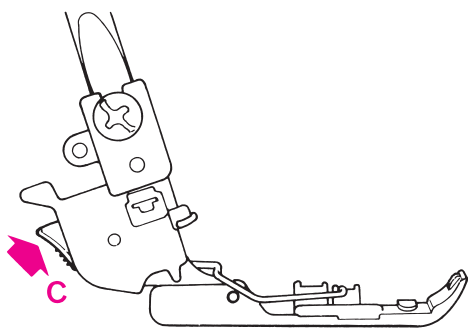


### Palanca alza-prensatejas con dos escalas

Para levantar el pie prensatejas, subir la palanca hacia arriba hasta que se detenga (A).

Subiendo la palanca hasta arriba del todo se aumenta la separación entre la placa-aguja y el prensatejas (B).

**Indicación:** Cuando el pie prensatejas está elevado, todas las tensiones de los hilos quedan flojas para facilitar el enhebrado.



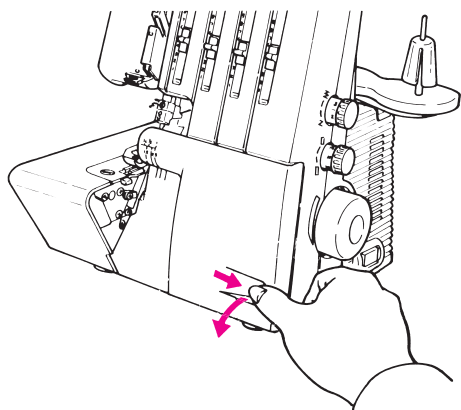
### Cambio del pie prensatelas

**⚠** • Desenchufar la máquina ! Interruptor principal a “O”.

- Subir el pie prensatelas.
- Girar el volante hacia adelante y situar las agujas en su posición más alta.

Apretar la palanca (C). El pie prensatelas se desengancha de su sujeción. Subir la palanca alza-prensatelas hasta arriba del todo (B) y sacar el pie prensatelas por la izquierda.

Para enganchar el pie, situarlo debajo del vástago de manera que la ranura del vástago quede exactamente sobre el perno del pie (D). Bajar el vástago, el pie se engancha automáticamente.

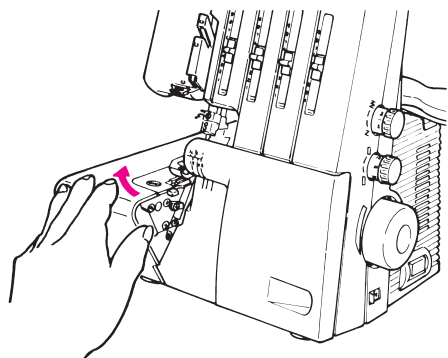


### Tapa de la lanzadera

Para abrir la tapa de la lanzadera hay que empujarla hacia la derecha y abrirla hacia sí mismo.

Para cerrarla, levantarla y empujarla ligeramente hacia la derecha. La tapa de la lanzadera se engancha automáticamente.

**⚠ Atención:** Partes móviles! Antes de abrir la tapa de la lanzadera o de la mesa de trabajo, desenchufar la máquina colocando el interruptor principal a “O”, de esa manera se evita el riesgo de herirse. Antes de utilizar la máquina cerrar la tapa.



### Tapa de la mesa de trabajo

Abrir y cerrar la tapa de la mesa de trabajo:

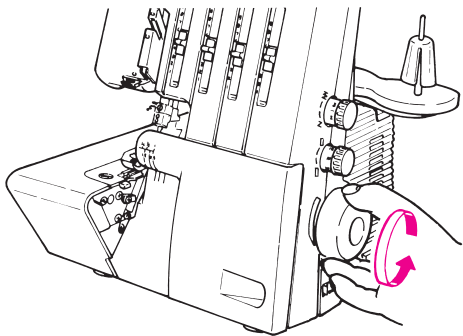
Abrir: empujar la tapa de la mesa de trabajo hacia la izquierda.

Cerrar: empujar la tapa de la mesa de trabajo hacia la derecha.

**⚠ Atención:** Partes móviles - Antes de abrir la tapa de la lanzadera o de la mesa de trabajo, desenchufar la máquina colocando el interruptor principal a “O”, de esa manera se evita el riesgo de herirse. Antes de utilizar la máquina cerrar la tapa.

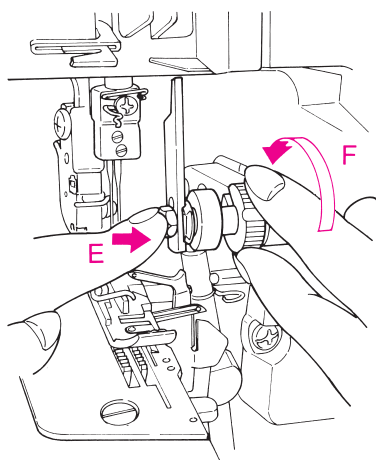
## Puesta en marcha

---



### Volante

El volante se gira en el sentido contrario de las agujas del reloj, igual como en una máquina de coser.

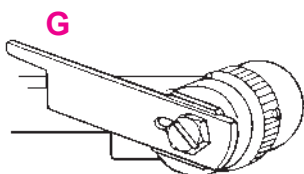


### Subir la cuchilla superior

**⚠** • **Desenchufar la máquina ! Interruptor principal a "O".**

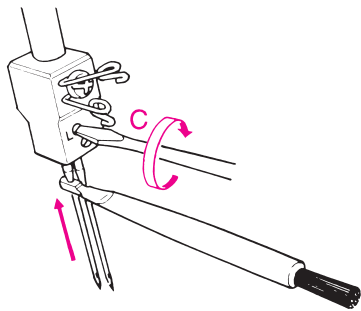
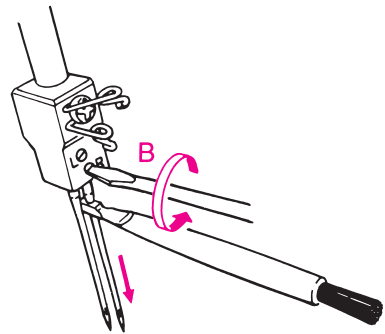
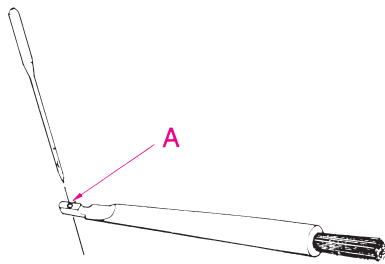
- Sacar el enchufe de la red eléctrica.
- Girar el volante hacia adelante hasta que las agujas estén en su posición más alta.
- Abrir la tapa de la lanzadera.

Apretar hacia la derecha del todo el soporte de la cuchilla (E) y girar el botón giratorio en el sentido de las agujas del reloj (F) hasta que la cuchilla se encaje en la posición indicada.





## Puesta en marcha



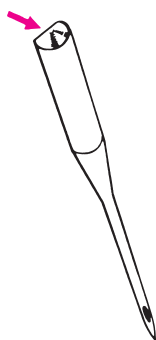
### Colocación de las agujas

Las agujas pueden colocarse fácilmente utilizando el pincel/coloca-agujas (A).

**⚠ • Desenchufar la máquina ! Interruptor principal a "O".**

- Sacar el enchufe de la red eléctrica. Girar el volante hacia adelante hasta que las agujas estén en su posición más alta.
- Bajar el pie prensatelas.

Aflojar los tornillos de fijación con el destornillador pequeño. Sacar las agujas (B). Primero colocar la aguja derecha, la parte plana mirando hacia atrás, en el agujero del coloca-agujas e insertar la aguja en el sujeta-agujas hasta llegar al tope. Apretar un poco el tornillo de fijación derecho. Colocar la aguja izquierda de la misma manera. Al final apretar bien ambos tornillos de fijación (C).



### Agujas y máquina

La máquina overlock está dotada con el sistema de agujas 130/705 H (agujas domésticas de máquina de coser). Cuando Ud. compre agujas nuevas para su máquina asegúrese de comprar agujas del sistema 130/705H. Utilice agujas del grosor N° 70 -90 para su la máquina.

# Puesta en marcha, enhebrado

---

## Preparación

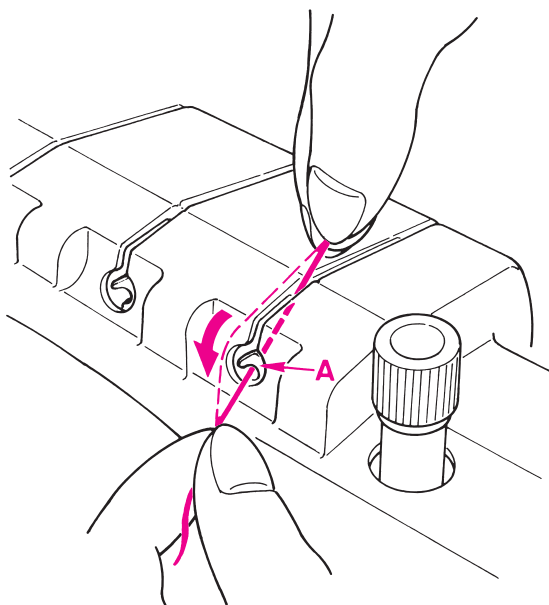
**⚠** • **Desenchufar la máquina ! Interruptor principal a “O”.**

- **Sacar el enchufe de la red eléctrica.**
- Estirar completamente el soporte telescópico con el guía-hilo.
- Abrir la tapa de la lanzadera y de la mesa de trabajo.
- Girar el volante hacia adelante hasta que las agujas estén en su posición más alta.
- Subir la cuchilla superior.
- Subir el pie prensatelas, la tensión se afloja automáticamente.

Enhebrar cuidadosamente la máquina observando la secuencia de enhebrado.

Los siguientes detalles facilitan el enhebrado:

- El esquema de enhebrado a color
- Las guías de color en la máquina
- El accesorio para el enhebrado

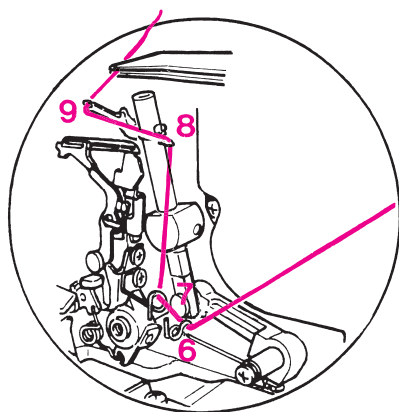
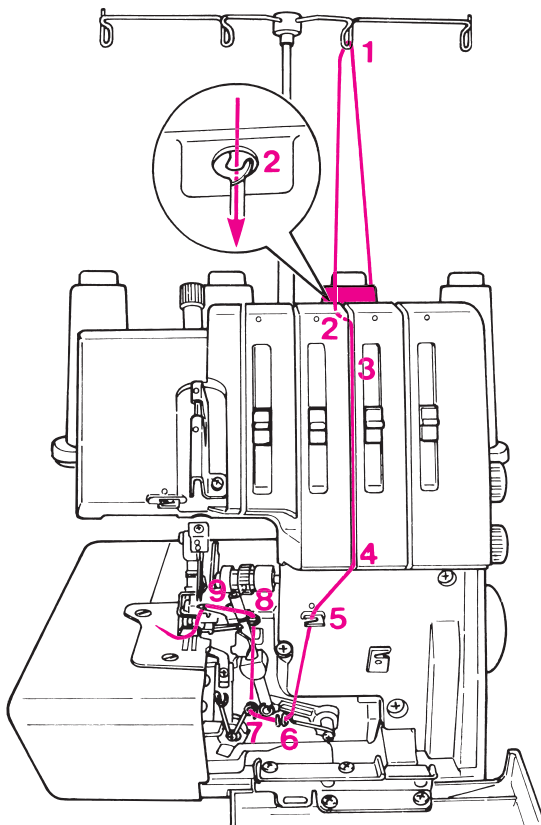
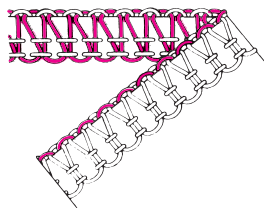


## Primera guía del hilo de la máquina

Coger el hilo con ambas manos y enhebrarlo en la primera guía del hilo.

Tirar del hilo ligeramente hacia abajo hasta que haga “clic”.

# Enhebrado



## 1. Hilo de la lanzadera superior, marcas azules

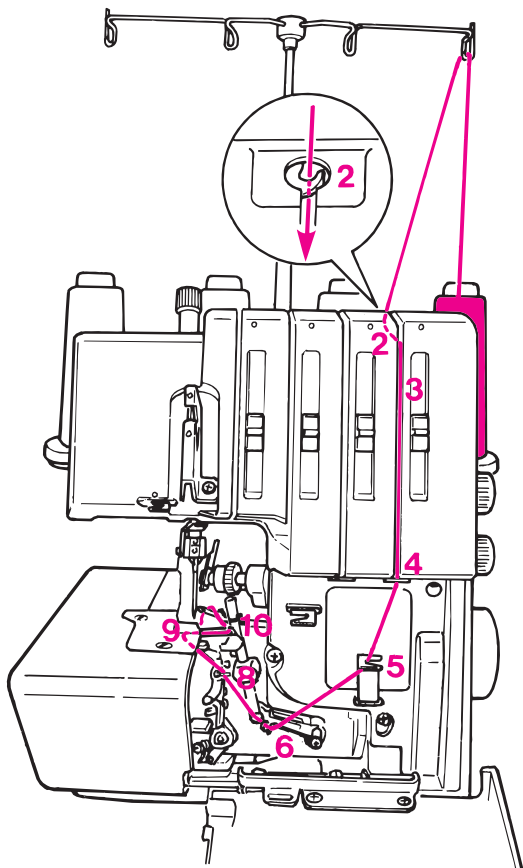
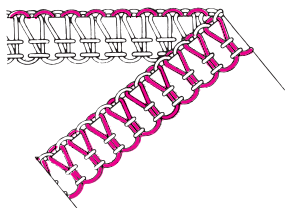
Colocar la bobina en el porta-bobinas como en la ilustración.

- (1) Coger el hilo de la bobina y pasarlo de atrás hacia adelante por el guía-hilo (segundo de la derecha).
- (2) Coger el hilo con ambas manos, pasarlo por la ranura del hilo y enhebrarlo en la primera guía del hilo. Tirar del hilo ligeramente hacia abajo hasta que haga "clic".
- (3) Pasar el hilo a lo largo de la ranura.
- (4,5,6,7,8) Pasar el hilo por las guías.
- (9) Girar el volante hasta que la lanzadera superior se encuentre en la posición ilustrada. Enhebrar el ojete de la lanzadera.
- (10) Subir el pie prensatelas y colocar el hilo debajo del pie prensatelas. Bajar el pie prensatelas.

### Indicación:

En los puntos que se cosen con el transformador lanzadera ciega no se tiene que enhebrar la lanzadera superior.

# Enhebrado



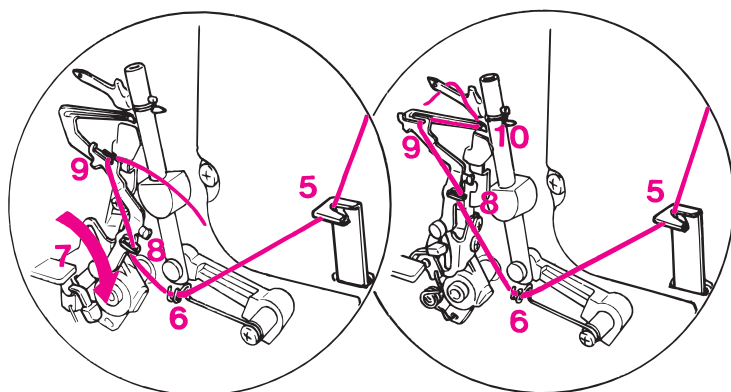
## 2. Hilo de la lanzadera inferior, marcas rojas

Colocar la bobina en el porta-bobinas como en la ilustración.

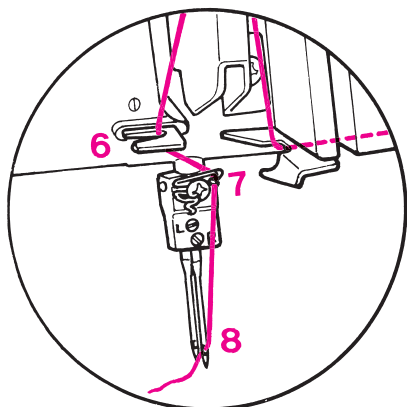
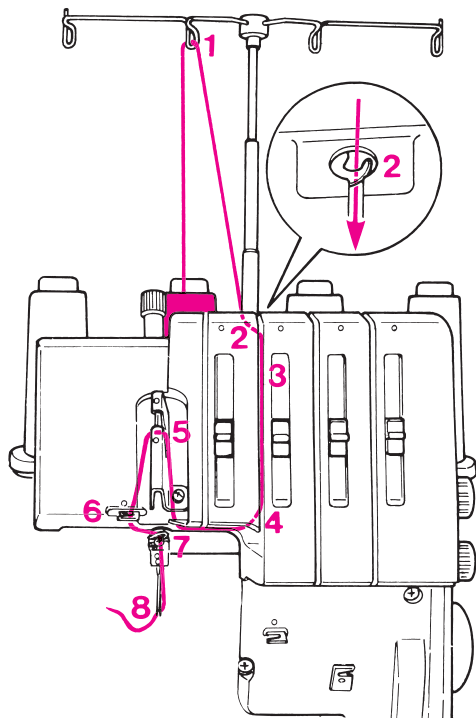
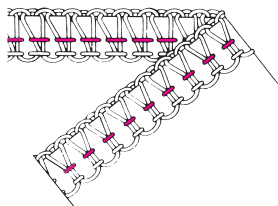
- (1) Coger el hilo de la bobina y pasarlo de atrás hacia adelante por el guía-hilo (derecha del todo).
- (2) Coger el hilo con ambas manos, pasarlo por la ranura y enhebrarlo en la primera guía del hilo. Tirar del hilo ligeramente hacia abajo hasta que haga „clic“.
- (3) Pasar el hilo a lo largo de la ranura.
- (4,5,6) Pasar el hilo por las guías.
- (7) Apretar hacia abajo la palanca del enhebrador automático de la lanzadera inferior.
- (8,9) Colocar el hilo en la ranura del enhebrador automático de la lanzadera inferior. Apretar hacia arriba la palanca del enhebrador automático de la lanzadera inferior para colocarlo de nuevo en su posición original.
- (10) Enhebrar el ojetes de la lanzadera inferior y colocar el hilo por la izquierda debajo del pie prensatelas.

### Indicación:

Si se tiene que enhebrar de nuevo la lanzadera inferior, cortar los hilos al lado de los ojete de las agujas y quitarlos. Primero enhebrar la lanzadera, después las agujas.



# Enhebrado



## 3. Hilo de la aguja derecha, marcas verdes

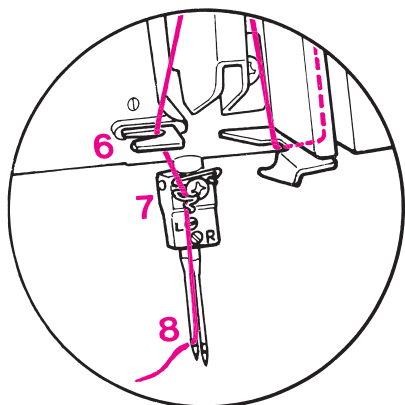
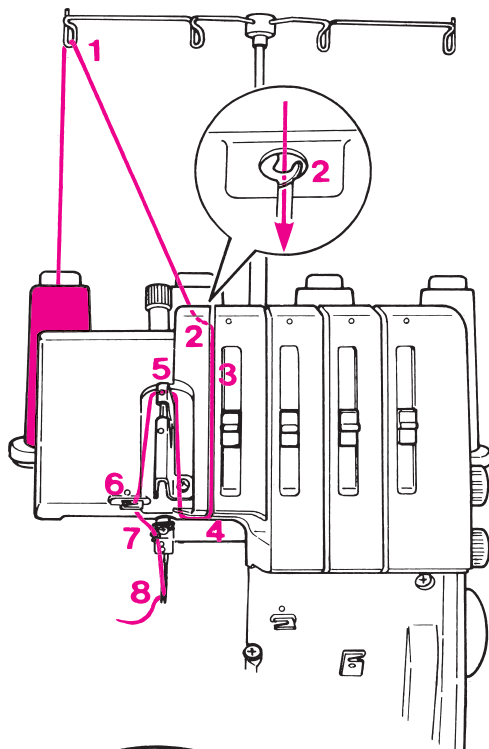
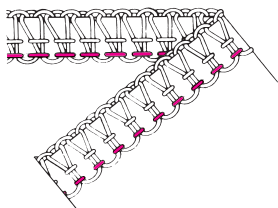
**!** • Desenchufar la máquina ! Interruptor principal a "O".

Colocar la bobina en el porta-bobinas como en la ilustración.

- (1) Coger el hilo de la bobina y pasarlo de atrás hacia adelante por el guía-hilo (segundo de la izquierda).
- (2) Coger el hilo con ambas manos, pasarlo por la ranura del hilo y enhebrarlo en la primera guía del hilo. Tirar del hilo ligeramente hacia abajo hasta que haga "clic".
- (3) Pasar el hilo a lo largo de la ranura.
- (4,5) Pasar el hilo por debajo de la placa-guía y por el tira-hilo.
- (6) Enhebrar la guía.
- (7) Enhebrar la guía en el porta-agujas.
- (8) Girar el volante hacia adelante hasta que las agujas estén en su posición más alta. Enhebrar la aguja derecha de adelante hacia atrás.
- (9) Colocar el hilo debajo del pie prensatelas.

### Indicación:

Si se tiene que enhebrar de nuevo la lanzadera inferior, cortar los hilos de las agujas al lado de los ojetes y quitarlos. Primero enhebrar la lanzadera, después las agujas.



## 4. Hilo de la aguja izquierda, marcas amarillas

**⚠** • Desenchufar la máquina ! Interruptor principal a “O”.

Colocar la bobina en el porta-bobinas como en la ilustración.

(1) Coger el hilo de la bobina y pasarlo de atrás hacia adelante por el guía-hilo (izquierda del todo).

Enhebrar la primera guía de la máquina.

(2) Coger el hilo con ambas manos, pasarlo por la ranura del hilo y enhebrarlo en la primera guía del hilo. Tirar del hilo ligeramente hacia abajo hasta que haga “clic”.

(3) Pasar el hilo a lo largo de la ranura.

(4,5) Pasar el hilo por debajo de la placa-guía y por el tira-hilo.

(6) Enhebrar la guía.

(7) Enhebrar la guía en el porta-agujas.

(8) Girar el volante hacia adelante hasta que las agujas estén en su posición más alta. Enhebrar la aguja izquierda de adelante hacia atrás.

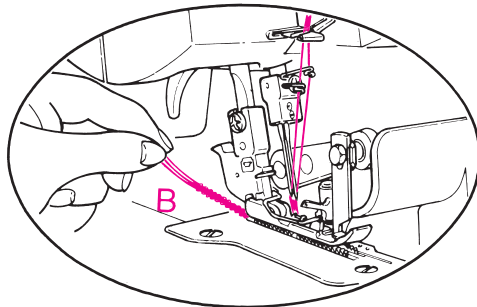
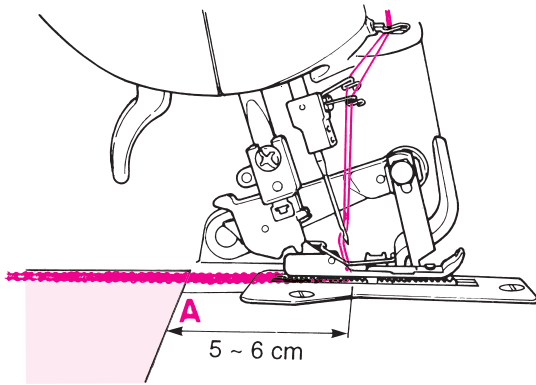
(9) Colocar el hilo debajo del pie prensatelas.

Después del enhebrado bajar la cuchilla superior. Cerrar la tapa de la lanzadera y de la mesa de trabajo.

### Indicación:

Si se tiene que enhebrar de nuevo la lanzadera inferior, cortar los hilos de las agujas al lado de los ojetes y quitarlos. Primero enhebrar la lanzadera, después las agujas.

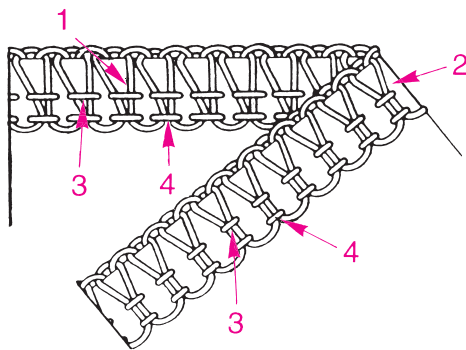
## Costura de prueba, Tensión del hilo



### Costura de prueba

Después del enhebrado, hacer una costura de prueba sobre tela doble para poder controlar correctamente la formación del punto y la tensión del hilo.

- Conectar la máquina ("1").
- Colocar todas las tensiones de los hilos a 4.
- Largo del punto, diferencial, posición de la cuchilla (véase Regulación y manejo).
- Bajar la cuchilla superior.
- Bajar el pie prensatelas.
- Levantar con el pulgar un poco la punta del pie prensatelas y colocar el tejido debajo del pie prensatelas, delante de la cuchilla. Bajar el pie prensatelas y coser.
- Al terminar la costura sobre coser el borde y continuar cosiendo sin tela hasta formar una cadena de hilo (A) de 8 cm (3"). Cortar el hilo.
- Si se utilizan hilos como cordonet o similar, sacar cuidadosamente la cadena de hilo (B) con la mano para evitar que ella se enganche en la placa-aguja.

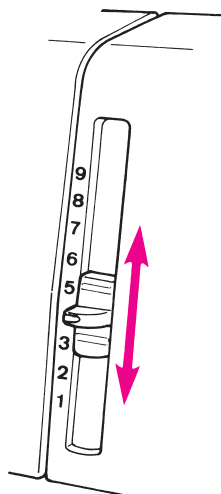


### Control de la costura de prueba

1. Hilo de la lanzadera superior (azul)
2. Hilo de la lanzadera inferior (rojo)
3. Hilo de la aguja derecha (verde)
4. Hilo de la aguja izquierda (amarillo)

La tensión del hilo está regulada correctamente si ambos hilos de la lanzadera se enlazan exactamente en el borde. Los hilos de las agujas forman líneas paralelas y hacen la costura segura pero también elástica.

# Costura de prueba, Tensión del hilo

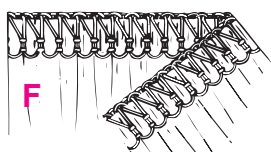
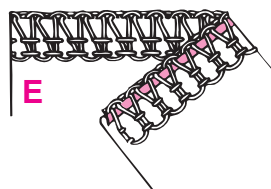
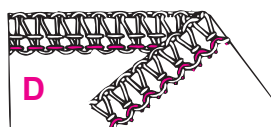
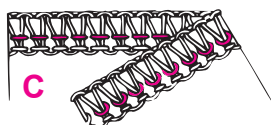
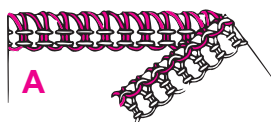


## Tensión del hilo

La tensión del hilo tiene que adaptarse a los diversos tejidos. La regulación de base para la mayoría de los tejidos se encuentra entre 3 y 5. Puede variar más si se utilizan hilos especiales, como p.ej. cordonet, perlé, hilo fibroso u otros hilos especiales.

La tensión del hilo puede regularse entre 1 y 9 sin escalas y así adaptarse a cada tipo de trabajo.

Desplazar la corredera hacia arriba para aumentar la tensión, hacia abajo para reducirla.

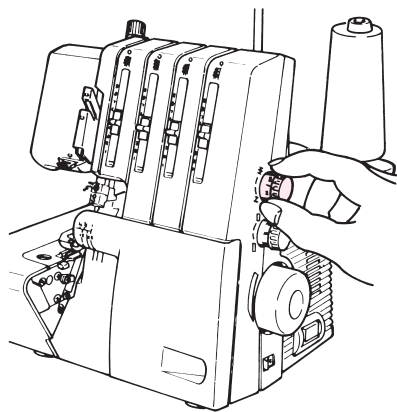


## Adaptar las tensión del hilo

Desplazar las correderas de sólo medio o un valor y hacer nuevamente una costura de prueba.

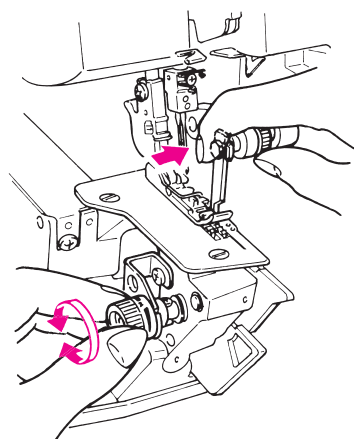
- El enlace de los hilos de las lanzaderas está en la parte de abajo: Aumentar la tensión de la lanzadera superior (azul); aflojar la tensión de la lanzadera inferior (rojo) (A).
- El enlace de los hilos de las lanzaderas está en la parte de arriba: Aumentar la tensión de la lanzadera inferior (rojo); reducir la tensión de la lanzadera superior (azul) (B).
- El hilo de la aguja derecha forma lazos en la parte de abajo: Aumentar la tensión de la aguja derecha (verde) (C).
- El hilo de la aguja izquierda forma lazos en la parte de abajo: Aumentar la tensión de la aguja izquierda (amarillo) (D).
- El borde de la tela se enrolla un poco: Aflojar un poco ambas tensiones de las lanzaderas (azul y rojo) (E).
- El tejido se frunce durante la costura: Aflojar la tensión de la aguja derecha o izquierda (verde o amarillo) (F).





### Largo del punto

El largo del punto puede regularse sin escalas entre 1 y 4, también durante la costura. La mayoría de los trabajos overlock se cosen con un largo del punto de 2,5 mm.



### Ancho del punto / posición de la cuchilla

- ⚠ • **Desenchufar la máquina, interruptor principal a "O".**
- Abrir la tapa de la mesa de trabajo. Subir el pie prensatelas.
- Empujar la cuchilla superior hacia la derecha. Girar el botón regulador de la posición de la cuchilla en la dirección deseada.
- Cerrar la tapa de la mesa de trabajo y bajar el pie prensatelas.

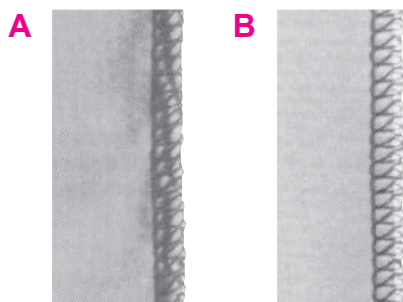
#### Posición de la cuchilla (=ancho del punto):

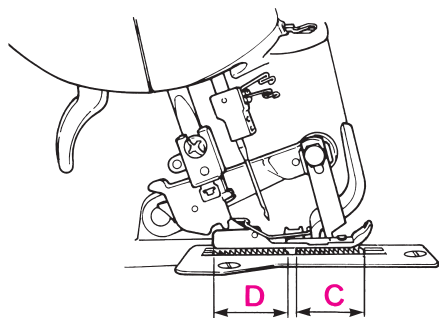
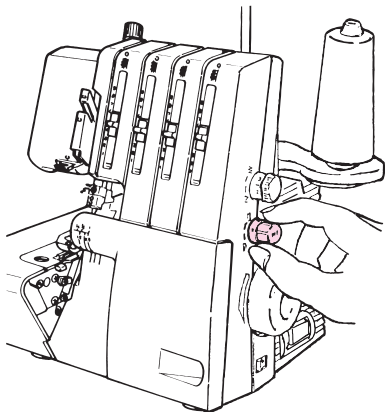
- 1 = 3 - 5 mm
- 2 = 4 - 6 mm
- 3 = 5 - 7 mm

La posición de la cuchilla inferior determina el ancho del punto.

Reducir el ancho del punto si el tejido se enrolla durante la costura (mover la cuchilla hacia la izquierda) (A).

Aumentar el ancho del punto si los enlaces de los hilos aparecen flojos (mover la cuchilla hacia la derecha) (B).





## Transporte diferencial

El transporte diferencial consiste en un transporte delantero (C) y uno trasero (D).

En un movimiento de transporte completo cada transportador puede hacer un largo diferente.

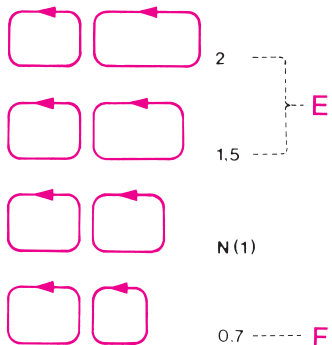
El transporte diferencial hace posible la realización de costuras absolutamente planas, sin ningún ondulado en tejidos de punto y sin mover ninguna capa de la tela. También evita el fruncimiento de tejidos escurridizos como tricot de nilón o materiales gruesos tejidos (E).

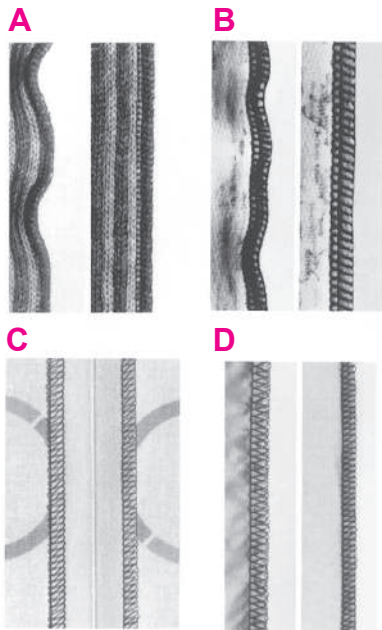
### Coser tricot o tejido de punto sin ondulaciones

El arrastre del transporte delantero tiene que ser mayor que del transporte trasero. El transporte delantero transporta la cantidad de tejido que el transporte trasero es capaz de transportar detrás de la aguja.

### Ningún fruncimiento de la costura en materiales tejidos o tricot de nilón

El arrastre del transporte trasero tiene que ser mayor que del transporte delantero. El transporte delantero retiene una cantidad de tejido para que el transporte trasero sea capaz de transportar el tejido detrás de la aguja (F).





## Regulación del transporte diferencial

El transporte diferencial se regula girando el botón regulador del transporte diferencial. Hacer siempre una costura de prueba. El transporte diferencial puede regularse sin escalas, también durante la costura.

	Efecto	Tejido
2	Costura sin ondulaciones (A)	Tejidos gruesos, tejidos de punto, materiales muy elásticos
1.5	Costura sin ondulaciones (B)	Jerseys de algodón/seda y sintéticos, sweatshirts y tejidos de punto finos
N	Transporte normal (C)	Materiales tejidos
0.7	Costura sin fruncimiento (D)	Tricots de nilón finos, materiales gruesos tejidos, forros, satén, popelina

## Fruncimiento

El transporte diferencial hace posible el fruncimiento de una capa de tela fina. Por ejemplo en mangas, puños, canesús, guarnición de encajes o volantes.

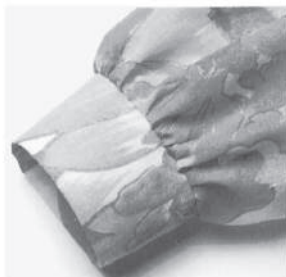
### Regulación:

- Punto - overlock de 4 hilos
- Transporte diferencial - 2
- Largo del punto - 3-4
- Posición de la cuchilla - 2-3

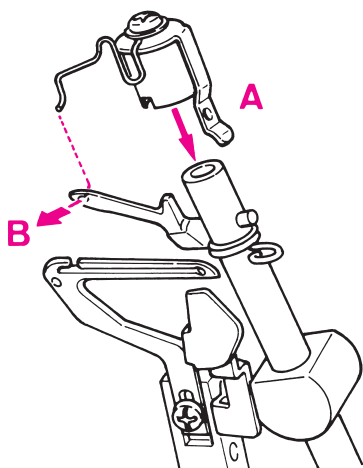
El efecto de fruncimiento se acentúa aumentando las tensiones de los hilos de las agujas (6-8).

### Indicación:

Para costura sin transporte diferencial, colocar el botón regulador a "N".



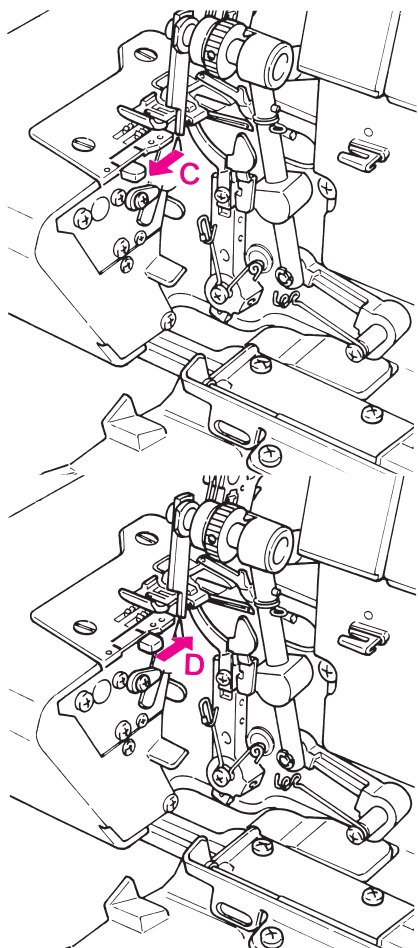
### Transportador lanzadera ciega



El transportador lanzadera ciega hace posible la costura de puntos con un sólo hilo de lanzadera, como p.ej. dobladillo enrollado de 2 hilos, costura plana de 2 hilos y overlock de 2 hilos.

- Girar el volante para bajar las agujas.
- Desenchufar la máquina, interruptor principal a "O".
- Abrir la tapa de la lanzadera.
- Colocar el transformador lanzadera ciega (bolsa de accesorios) sobre el brazo de la lanzadera superior (A). Meter el alambre fino por detrás, por el ojete de la lanzadera superior (B).

De esta manera la lanzadera superior se transforma en una lanzadera ciega, es decir no lleva hilo, pero guía el hilo de la lanzadera inferior de tal forma que este entrelaza todo el borde del tejido.



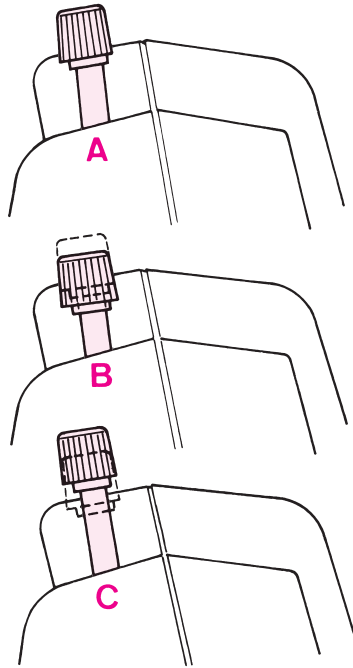
### Dobladillo enrollado

- Girar el volante hacia adelante hasta que las agujas estén en su posición más alta.
- Para dobladillo enrollado, empujar la palanca selectora hasta la marca de adelante situada en la placa-aguja (hacia sí mismo) separándola del pie prensatelas (C).
- Para overlock, empujar la palanca selectora hacia la marca de atrás, acercándola al pie prensatelas (D).

El dobladillador está completamente incorporado en la máquina.

Durante la costura se enrolla el borde y el hilo lo enlaza. Así se crean acabados bonitos en materiales finos. Los dobladillos enrollados se utilizan sobre todo en fulars, echarpes, lencería, trajes de noche, cortinas finas o servilletas.

## Regulación y manejo



### Presión del pie prensatelas

El fabricante ha ajustado la presión del pie prensatelas a una regulación media.

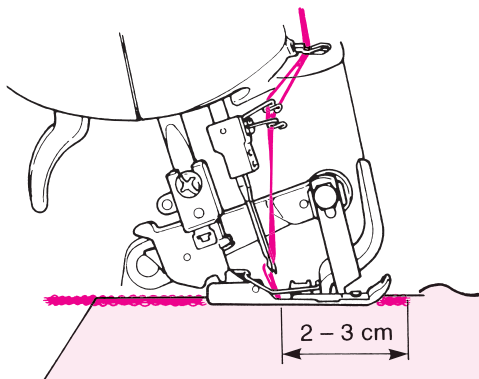
Para adaptar la regulación del pie prensatelas al tejido, girar el tornillo de regulación en la dirección deseada.

Posición del tornillo de regulación con presión normal (A).

Más presión: Para materiales gruesos y duros como tejano (vaqueros), Tweed, lino grueso (B).

Menos presión: Para tejidos finos como chifón, Georgette, batista (C).

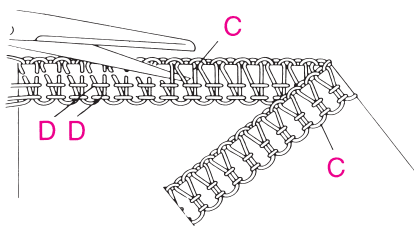
## Costura práctica



### El hilo se rompe durante la costura

Enseguida salir cosiendo del borde de la tela en ángulo agudo, sacar la labor. Enhebrar de nuevo. Si se ha roto el hilo de la lanzadera inferior, cortar los hilos de las agujas al lado de los ojetes y quitarlos.

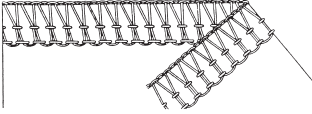
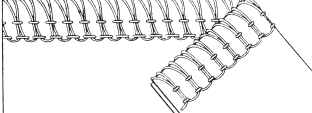
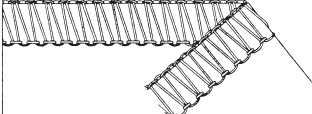
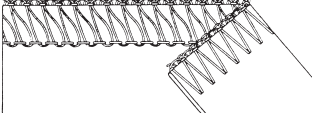
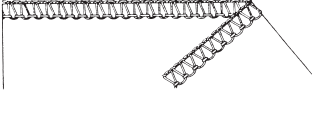
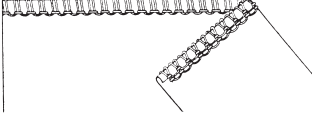
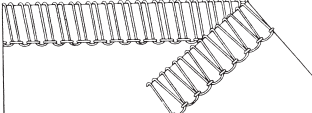
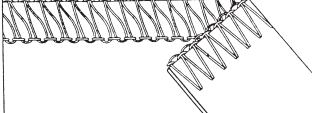
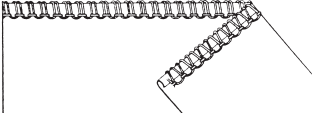
Primero enhebrar la lanzadera, después la aguja. Empezar a coser aprox. 2 ó 3 cm antes de donde se rompió el hilo.



### Abrir puntos

Cortar con unas tijeras de punta los enlaces (C). Tirar de los hilos de las agujas (D), el punto se deshace.

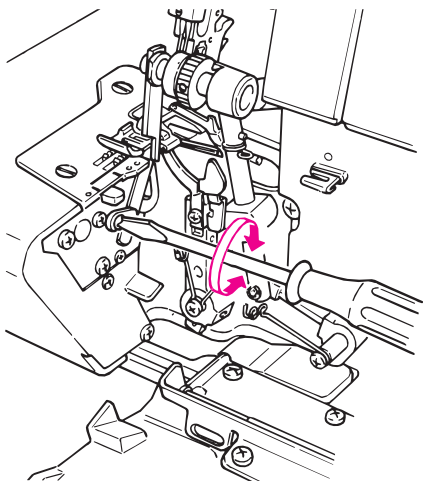
# Tabla de puntos

Punto	Ancho del punto	Tensión del hilo	Regulación de base
Overlock de 4 hilos con costura de seguridad integrada 	5-7 mm aguja derecha e izquierda	Aguja izquierda (amarillo) 3-5 Aguja derecha (verde) 3-5 Lanzadera superior (azul) 3-5 Lanzadera inferior (rojo) 3-5	Largo del punto: 2,5 Posición de la cuchilla: 2 Diferencial: N-2 (tejido de punto) 0,7-N (tela tejida)
Punto super-stretch de 3 hilos 	5-7 mm aguja derecha e izquierda	Aguja izquierda (amarillo) 3-5 Aguja derecha (verde) 3-5 Lanzadera inferior (rojo) 3-5	Largo del punto: 2,5 Posición de la cuchilla: 1-2 Diferencial: N-2 Transformador lanzadera ciega
Overlock de 3 hilos 	3-5 mm aguja derecha 5-7 mm aguja izquierda	Aguja izquierda (amarillo) 3-5 Aguja derecha (verde) 3-5 Lanzadera superior (azul) 3-5 Lanzadera inferior (rojo) 3-5	Largo del punto: 2,5 Posición de la cuchilla: 2 Diferencial: N-1,5 (tejido de punto) 0,7-N (tela tejida)
Costura plana de 3 hilos 	3-5 mm aguja derecha 5-7 mm aguja izquierda	Aguja izquierda (amarillo) 1-2 Aguja derecha (verde) 1-2 Lanzadera superior (azul) 3-5 Lanzadera inferior (rojo) 7-9	Largo del punto: 2,5 Posición de la cuchilla: 2 Diferencial: N-1,5 (tejido de punto) 0,7-N (tela tejida)
Costura enrollada de 3 hilos 	1.5 mm aguja derecha	Aguja derecha (verde) 3-5 Lanzadera superior (azul) 3-5 Lanzadera inferior (rojo) 3-5	Largo del punto: 1-1,8 Posición de la cuchilla: 1-1,5 Diferencial: N-0,7 Palanca selectora: dobladillo enrollado
Dobladillo enrollado de 3 hilos 	1.5 mm aguja derecha	Aguja derecha (verde) 3-5 Lanzadera superior (azul) 3-5 Lanzadera inferior (rojo) 7-9	Largo del punto: 1-1,8 Posición de la cuchilla: 1-1,5 Diferencial: N-0,7 Palanca selectora: dobladillo enrollado
Overlock de 2 hilos (enlazamiento del borde) 	3-5 mm aguja derecha 5-7 mm aguja izquierda	Aguja izquierda (amarillo) 3-5 Aguja derecha (verde) 3-5 Lanzadera inferior (rojo) 2-4	Largo del punto: 2,5 Posición de la cuchilla: 2 Diferencial: N-1,5 (tejido de punto) 0,7-N (tela tejida) Transformador lanzadera ciega
Costura plana de 2 hilos 	3-5 mm aguja derecha 5-7 mm aguja izquierda	Aguja izquierda (amarillo) 1-2 Aguja derecha (verde) 1-2 Lanzadera inferior (rojo) 3-5	Largo del punto: Min. 2,5 Posición de la cuchilla: 2 Diferencial: N Transformador lanzadera ciega
Dobladillo enrollado de 2 hilos 	1.5 mm aguja derecha	Aguja derecha (verde) 3-5 Lanzadera inferior (rojo) 3-5	Largo del punto: 1-1,8 Posición de la cuchilla: 1-1,5 Diferencial: N-0,7 Palanca selectora: dobladillo enrollado Transformador lanzadera ciega

### **ATENCIÓN** Observar las normas de seguridad!

#### Cambio de la cuchilla superior

La cuchilla superior (en movimiento) está hecha de metal duro especial y no necesita cambiarse. Si por alguna razón la cuchilla se dañase entonces acuda a la con el distribuidor local para que se la cambien.



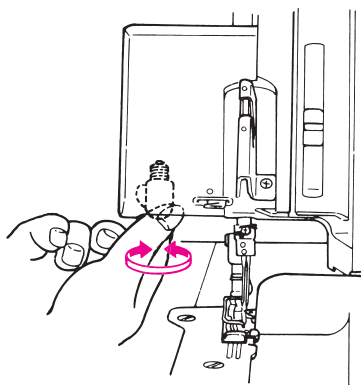
#### Cambio de la cuchilla inferior

 **Desconectar la máquina sacando el enchufe de la red eléctrica.**

Cambio de las cuchillas

Si las cuchillas están dañadas, acuda a la con el distribuidor local para que se las cambien.

Si los cuchillos se dañan, pueden ser sustituidos por su distribuidor local.

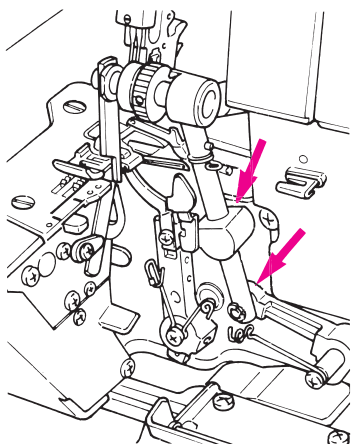


#### Cambio de la bombilla

 **Desenchufar la máquina ! Interruptor principal a "O". Desconectar la máquina sacando el enchufe de la red eléctrica.**

Desenroscar la bombilla y reemplazarla por una nueva. La potencia eléctrica de la bombilla es de máximo 15 vatios para máquinas de 120 voltios, y máximo 10 vatios para máquinas de 220-240 voltios.

Están disponibles en su distribuidor local.



#### Limpieza y engrase

 **Desenchufar la máquina ! Interruptor principal a "O". Desconectar la máquina sacando el enchufe de la red eléctrica.**

Durante la costura y el corte se va acumulando polvo, hilos y pelusilla en la máquina. Quitar estos residuos regularmente.

La máquina overlock requiere muy poco engrase. Después de haberla utilizado bastante tiempo engrasar solamente los puntos marcados. Observar las normas de seguridad.

#### **Precauciones que se deben tomar al manipular aceite**

- \* En caso de que el aceite entre en el ojo o se adhiera a la piel, lávese inmediatamente con el fin de prevenir la irritación y erupción cutánea.
- \* En caso de ingestión accidental, acuda inmediatamente para consejo médico con el fin de prevenir la diarrea y los vómitos.
- \* Mantenga el aceite lejos de los niños.
- \* El contenedor para el aceite de desecho está obligado por la legislación. Deseche el aceite adecuadamente, de acuerdo con la legislación pertinente.

## Ayuda en caso de averías

Problema	Causa	Solución	Página
La máquina no cose	<ul style="list-style-type: none"> <li>El interruptor principal no está enchegado.</li> <li>La máquina no está enchufada.</li> </ul>	<ul style="list-style-type: none"> <li>Enchegar la máquina, interruptor principal a "1".</li> </ul>	8
		<ul style="list-style-type: none"> <li>Enchufar el cable de la máquina a la red eléctrica.</li> </ul>	7
La tela no avanza demasiado	<ul style="list-style-type: none"> <li>El transporte diferencial no está ajustado correctamente.</li> <li>La presión del pie prensatelas es demasiado floja.</li> <li>La cuchilla superior/inferior no está bien colocada o está desafilada.</li> </ul>	<ul style="list-style-type: none"> <li>Controlar la regulación del transporte diferencial.</li> </ul>	20
		<ul style="list-style-type: none"> <li>Aumentar la presión del pie prensatelas.</li> </ul>	23
		<ul style="list-style-type: none"> <li>Cambiar la cuchilla superior/inferior.</li> </ul>	25
El hilo se rompe	<ul style="list-style-type: none"> <li>La tensión del hilo es demasiado alta para el hilo escogido.</li> <li>La máquina no está enhebrada correctamente.</li> <li>Las agujas no están bien colocadas.</li> <li>Se han utilizado agujas falsas.</li> </ul>	<ul style="list-style-type: none"> <li>Reducir la tensión del hilo.</li> </ul>	18
		<ul style="list-style-type: none"> <li>Controlar el camino de enhebrado.</li> </ul>	13-16
		<ul style="list-style-type: none"> <li>Colocar las agujas correctamente, hasta el tope, la parte plana mirando hacia atrás.</li> </ul>	11
		<ul style="list-style-type: none"> <li>Utilizar agujas del sistema 130/705H.</li> </ul>	11
Las agujas se rompen	<ul style="list-style-type: none"> <li>Las agujas están torcidas, despuntadas o con puntas defectuosas.</li> <li>Las agujas no están bien colocadas.</li> <li>Se ha tirado de la tela durante la costura.</li> </ul>	<ul style="list-style-type: none"> <li>Cambiar las agujas.</li> </ul>	11
		<ul style="list-style-type: none"> <li>Colocar las agujas correctamente, hasta el tope, la parte plana mirando hacia atrás.</li> </ul>	11
		<ul style="list-style-type: none"> <li>Guiar la tela levemente, con ambas manos.</li> </ul>	--
Faltan puntos	<ul style="list-style-type: none"> <li>Las agujas están torcidas o despuntadas.</li> <li>Se han utilizado agujas falsas.</li> <li>La presión del pie prensatelas es muy floja.</li> </ul>	<ul style="list-style-type: none"> <li>Cambiar las agujas.</li> </ul>	11
		<ul style="list-style-type: none"> <li>Utilizar agujas del sistema 130/705H.</li> </ul>	11
		<ul style="list-style-type: none"> <li>Aumentar la presión del pie prensatelas.</li> </ul>	23
Costura defectuosa	<ul style="list-style-type: none"> <li>El hilo no está bien colocado entre los discos de tensión.</li> <li>El hilo se ha enredado.</li> <li>El hilo no está bien enhebrado.</li> </ul>	<ul style="list-style-type: none"> <li>Controlar si los hilos están bien colocados entre los discos de tensión.</li> </ul>	12
		<ul style="list-style-type: none"> <li>Subir el pie prensatelas, tirar de los hilos.</li> </ul>	9
		<ul style="list-style-type: none"> <li>Controlar el camino de enhebrado de cada hilo.</li> </ul>	13-16
La tela se ondula durante la costura (tejido de punto)	<ul style="list-style-type: none"> <li>Se ha tirado de la tela durante la costura.</li> <li>La presión del pie prensatelas es demasiado alta.</li> <li>El transporte diferencial no está bien regulado.</li> </ul>	<ul style="list-style-type: none"> <li>Controlar el camino de enhebrado de cada hilo.</li> </ul>	13-16
		<ul style="list-style-type: none"> <li>Guiar la tela levemente.</li> </ul>	--
		<ul style="list-style-type: none"> <li>Reducir la presión del pie prensatelas.</li> </ul>	23
La tela se encoge (fruncido)	<ul style="list-style-type: none"> <li>La tensión del hilo de la aguja es muy alta.</li> <li>El transporte diferencial no está bien regulado.</li> </ul>	<ul style="list-style-type: none"> <li>Regular el transporte diferencial entre N y 2.</li> </ul>	20
		<ul style="list-style-type: none"> <li>Reducir la tensión del hilo de la aguja.</li> <li>Regular el transporte diferencial entre 0.7 y N.</li> </ul>	18 20
El borde de la tela se enrolla	<ul style="list-style-type: none"> <li>Hay demasiada tela dentro de un punto.</li> <li>La tensión del hilo es demasiado alta.</li> <li>La palanca selectora del punto está en „doblado enrollado“.</li> </ul>	<ul style="list-style-type: none"> <li>Reducir el ancho de la costura.</li> </ul>	19
		<ul style="list-style-type: none"> <li>Reducir la tensión del hilo.</li> </ul>	18
		<ul style="list-style-type: none"> <li>Colocar la palanca selectora del punto a „overlock“.</li> </ul>	22
El enlace de los hilos parece flojo	<ul style="list-style-type: none"> <li>Muy poca tela dentro de un punto.</li> </ul>	<ul style="list-style-type: none"> <li>Aumentar el ancho de la costura.</li> </ul>	19



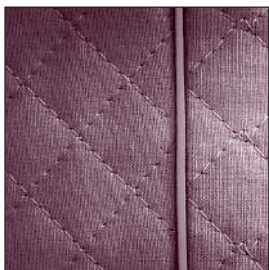
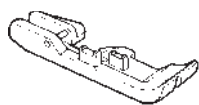
## Da tos técnicos

Puntos a disposición	2 agujas 2 lanzaderas: overlock de 4 hilos con costura de seguridad integrada 1 aguja 2 lanzaderas: overlock de 3 hilos, costura plana, dobladillo enrollado 1 aguja 1 lanzadera: overlock de 2 hilos, costura plana, dobladillo enrollado 2 agujas 1 lanzadera: punto super-stretch de 3 hilos
Sistema de agujas	130/705H
Ancho del punto	3-5 mm: (overlock de 2/3 hilos) 5-7 mm: (overlock de 4 hilos, punto super-stretch de 3 hilos)
Largo del punto	1-4 mm
Transporte diferencial	Efecto fruncido N-2 Efecto ondulado 0,7-N
Movimiento del prensatelas	5 mm
Volante	Hacia adelante, igual como en una máquina de coser
Velocidad de costura	Máximo 1500 sti/min
Peso	7 kg
Dimensiones	315(ancho) × 290(hondo) × 290(alto) mm
Pedal de mando	Modelo N° YC-482 (USA, Canada) YC-483N (220-240V)

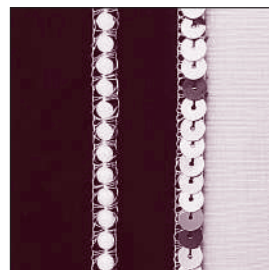
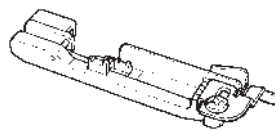
Se reservan los derechos de modificación en interés del desarrollo técnico.

## Accesorios opcionales

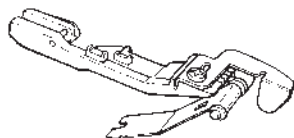
- Pie prensatelas de ribetes



- Pie prensatelas de perlado



- Pie prensatelas de funcidos



Póngase en contacto con el distribuidor local.

# “PRESCRIPTIONS DE SECURITE IMPORTANTES”

L'emploi d'un appareil électrique exige d'observer les mesures de sécurité suivantes:

## “DANGER \_\_ Pour la protection contre tout choc électrique:”


1. Ne pas laisser la machine à points de chaînette et enveloppant sans surveillance tant qu'elle est raccordée au réseau.
2. Après usage et avant un nettoyage, séparer toujours la machine du réseau.

## “ATTENTION \_\_ Pour éviter des brûlures, un feu, un choc électrique ou des blessures de personnes:”

1. Ne pas prendre la machine domestique pour un jouet. La plus grande prudence est de mise quand la machine est utilisée par des enfants ou quand elle se trouve à leur proximité. Cette machine à coudre peut être utilisée par des enfants âgés de 8 ans et plus ainsi que par les personnes ayant des capacités physiques, sensorielles ou mentales réduites, ou le manque d'expérience et de connaissances seulement si elles ont été formées et ont reçues les instructions concernant l'utilisation de la machine à coudre de manière sûre et comprendre les risques encourus. Les enfants ne doivent pas jouer avec la machine à coudre. Le nettoyage et l'entretien ne doit pas être fait par des enfants sans surveillance.
2. Utiliser la machine seulement dans le but d'accomplir les travaux décrits dans ce manuel d'instructions. N'employer que les accessoires recommandés par le fabricant.
3. Ne pas employer la machine, si les câbles ou les prises sont abîmés, si elle ne fonctionne pas sans problèmes, si elle est tombée par terre ou dans l'eau, ou bien a été endommagée. Apporter votre machine pour réparation ou vérification auprès de l'agent le plus proche ou du spécialiste correspondant.
4. Durant l'emploi de la machine, ne pas boucher les fentes d'aération par des bouts de fil, de la poussière et des déchets de tissu.
5. Eloigner les doigts de toute pièce en mouvement. Une prudence toute particulière s'impose à proximité des aiguilles.
6. Utiliser toujours la plaque à aiguille originale de la machine. Tout autre plaque peut provoquer la cassure de l'aiguille.
7. Ne pas utiliser d'aiguilles courbées.
8. Durant la couture, ne pas tirer sur le tissu, ni le pousser, cela peut provoquer la cassure de l'aiguille.
9. Ne pas procéder à la couture avec une épingle piquée dans le tissu étant donné que cela peut provoquer la rupture du couteau ou de l'aiguille. En outre, ne pas essayer de couper autre chose que du tissu et du fil avec les couteaux supérieur/inférieur.
10. Placer l'interrupteur principal sur «O» lors de toute activité à proximité des aiguilles, par ex. pour enfiler, changer d'aiguille ou de pied-de-biche, etc.
11. Prière de toujours retirer la prise du réseau lorsque vous effectuez, sur la machine ouverte, des travaux d'entretien mentionnés dans le manuel d'instructions, comme le nettoyage, le changement de l'ampoule, l'enfilage du boucleur, etc.
12. Ne pas introduire d'objets dans les ouvertures de la machine.
13. Ne pas employer la machine en plein air.
14. Ne pas employer la machine dans un local où l'on utilise des produits avec gaz propulseur (spray) ou de l'oxygène.
15. Pour la mise hors service, placer le commutateur principal sur «O» et retirer la fiche du réseau.
16. Débrancher en tirant sur la fiche et non sur le câble.
17. En cas de non-utilisation, l'appareil doit, en principe, être séparé du réseau en retirant la prise.
18. Si le cordon spécial de cet appareil est endommagé, il doit être remplacé par votre agent autorisé le plus proche ou dans un centre de service.
19. Cette machine est équipée d'une double isolation (sauf aux USA / au CANADA). N'employer que des pièces de rechange originales. Se reporter aux indications pour la remise en état des produits à isolation double.

## “ENTRETIEN DES PRODUITS A DOUBLE ISOLATION (Excepté USA / Canada)”

Un produit à double isolation est équipé de deux isolations au lieu d'une mise à la terre. La mise à la terre n'est pas prévue sur un produit à double isolation et ne devrait donc pas être employée. L'entretien d'un produit à double isolation qui exige de grands soins et des connaissances poussées sur le système, doit donc être réalisé seulement par du personnel qualifié. N'employer que des pièces de rechange originales pour l'entretien et la réparation. Un produit à double isolation est désigné de la manière suivante: “Isolation double” ou “A double isolement”.

Le symbole  peut également caractériser un tel produit.

## “PRIERE DE CONSERVER SOIGNEUSEMENT LES PRESCRIPTIONS DE SECURITE”

Cette surjeteuse est destinée seulement à un usage familial.

## Consignes de sécurité

Merci d'avoir fait l'achat d'une machine à coudre JUKI.



Avant l'utilisation, veuillez lire les consignes de sécurité sous la section « Pour utiliser la machine à coudre en toute sécurité » du Manuel d'instructions, afin de comprendre parfaitement les fonctions et procédures d'utilisation de la machine à coudre, ainsi que pour prolonger sa durée de service.

Après avoir lu le Manuel d'instructions, veuillez à le conserver, avec la garantie, de façon à pouvoir le consulter en tout temps.











## Pour utiliser la machine à coudre en toute sécurité

Les symboles et icônes compris dans le Manuel d'instructions ou apposés sur la machine à coudre ont pour but d'assurer l'utilisation sécuritaire de la machine à coudre et de protéger l'utilisateur et autres personnes contre les risques éventuels de blessure.

Les symboles de mise en garde sont utilisés aux diverses fins décrites ci-dessous.

 <b>AVERTISSEMENT</b>	Indique un risque éventuel de décès ou de blessure grave en cas d'ignorance de ce symbole et d'une mauvaise utilisation de la machine à coudre.
 <b>ATTENTION</b>	Indique une utilisation qui comporte un risque éventuel de blessure et/ou de dommages matériels en cas d'ignorance de ce symbole et d'une mauvaise utilisation de la machine à coudre.

La signification des icônes est telle que décrite ci-dessous.

	Mise en garde contre un danger non spécifié		Risque de choc électrique		Risque d'incendie		Risque de blessure aux mains, etc.
	Interdiction non spécifiée		Démontage/modification interdit		Ne pas mettre les doigts sous l'aiguille		Ne pas huiler, etc
	Comportement généralement requis		Débrancher la fiche d'alimentation				

## **⚠ AVERTISSEMENT**

Pour combiner l'aiguille en fonction de la matière et du fil, reporter vous à la section «remplacement de l'aiguille»

Si l'aiguille ou le fil n'est bien adapté au tissu, comme dans le cas d'un tissu très lourd (p. ex. du jean) cousu avec une aiguille mince (n° 11 ou supérieure), l'aiguille risquera de se casser et de causer une blessure.

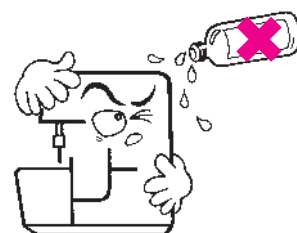
### **Autres précautions à prendre**

- Ne pas mettre la machine à coudre sous la lumière solaire directe ou dans un emplacement humide.



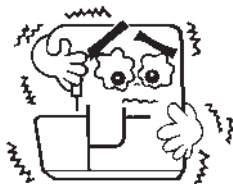
- Ne pas nettoyer la machine avec un solvant tel qu'un diluant.

Si la machine à coudre est sale, mettre un peu de détergent neutre sur un linge doux, et le passer soigneusement sur la machine à coudre pour enlever les taches.



Il faut savoir que l'état suivant peut avoir lieu du fait que la machine intègre des semi-conducteurs et des circuits électroniques.

- Penser à utiliser la machine à coudre dans une plage de température de 5 °C à 40 °C.  
À température excessivement basse, la machine risque de ne pas fonctionner normalement.



\* La température de fonctionnement de la machine à coudre est de 5 °C à 40 °C. Ne pas utiliser la machine à coudre sous la lumière solaire directe, près de sources de flammes telles qu'un poêle ou une chandelle, ni dans un emplacement humide. Cela risquerait de faire monter la température à l'intérieur de la machine à coudre ou de faire fondre la gaine du cordon d'alimentation, causant un incendie ou un choc électrique.

# Table des matières

---

Prescriptions de sécurité	1-3
Table des matières	4
Détails de la machine	5,6
• Accessoire pour la machine	6
Préparation de la machine	7
• Branchement de la pédale	7
• Support de broches à bobines	8
• Bobines de fil	8

## Mise en service

• Interrupteur principal	8
• Elévateur du pied-de-biche	8
• Changement du pied-de-biche	9
• Couvercle du boucleur	9
• Plateau-box	9
• Volant	10
• Relever le couteau supérieur	10
• Mise en place des aiguilles	11
• Aiguilles et machine	11

## Enfilage

• Préparation	12
• Fil de boucleur supérieur / inférieur	13,14
• Fil d'aiguille de droite / gauche	15,16

## Echantillon de couture

• Echantillon d'essai	17
• Tension de fil	18
• Adopter la tension de fil	18

## Réglage et utilisation

• Longueur de point	19
• Position des couteaux	19
• Mécanisme d'avance à différentiel	20
• Fronces	21
• Recouvrement du boucleur supérieur	22
• Roulotteur	22
• Pression du pied-de-biche	23

## Applications pratiques

• Cassure du fil	23
• Découdre une couture	23

Récapitulation des points	24
---------------------------	----

## Entretien

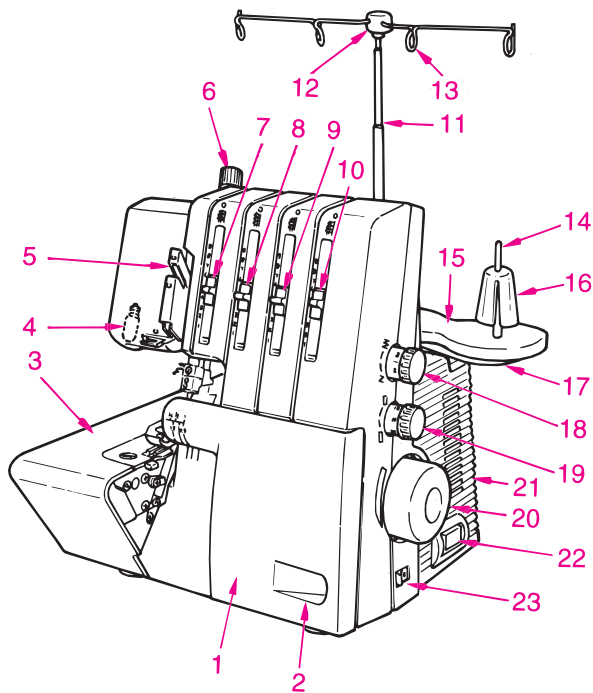
• Remplacer les couteaux	25
• Remplacer l'ampoule	25
• Nettoyer et huiler	25

Éliminer les défauts	26
----------------------	----

Caractéristiques techniques	27
-----------------------------	----

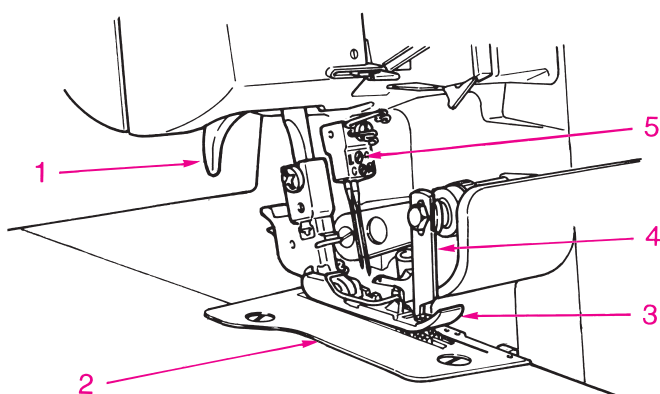
Accessoires spéciaux	28
----------------------	----

## Détails de la machine



### Détails de la machine

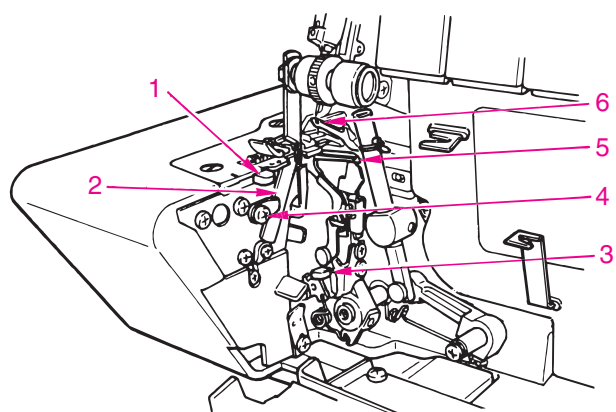
1. Couvercle du boucleur avec recouvrement du couteau intégré
2. Guide pour l'ouverture du couvercle du boucleur
3. Plateau-box
4. Eclairage
5. Capot du tendeur de fil
6. Vis de réglage pour la pression du pied
7. Levier de gauche pour tension du fil d'aiguille
8. Levier de droite pour tension du fil d'aiguille
9. Levier pour tension de fil du boucleur supérieur
10. Levier pour tension de fil du boucleur inférieur
11. Support de guide-fil télescopique
12. Garniture de guidage
13. Guide-fil ouvert
14. Broche à bobine
15. Socle en mousse
16. Antivibreux
17. Support de broches à bobines
18. Sélecteur pour la longueur de point
19. Sélecteur pour l'avance différentielle
20. Volant
21. Capot arrière de la machine
22. Prise de la machine
23. Interrupteur principal



### Détails de la machine

1. Lifter du pied-de-biche
2. Plaque à aiguille
3. Pied-de-biche
4. Couteau supérieur
5. Porte-aiguille

## Détails de la machine

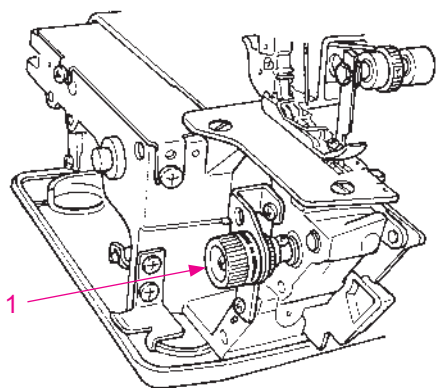


### Attention

Assurez vous d'avoir éteint la machine avant d'ouvrir le capot du boucleur.

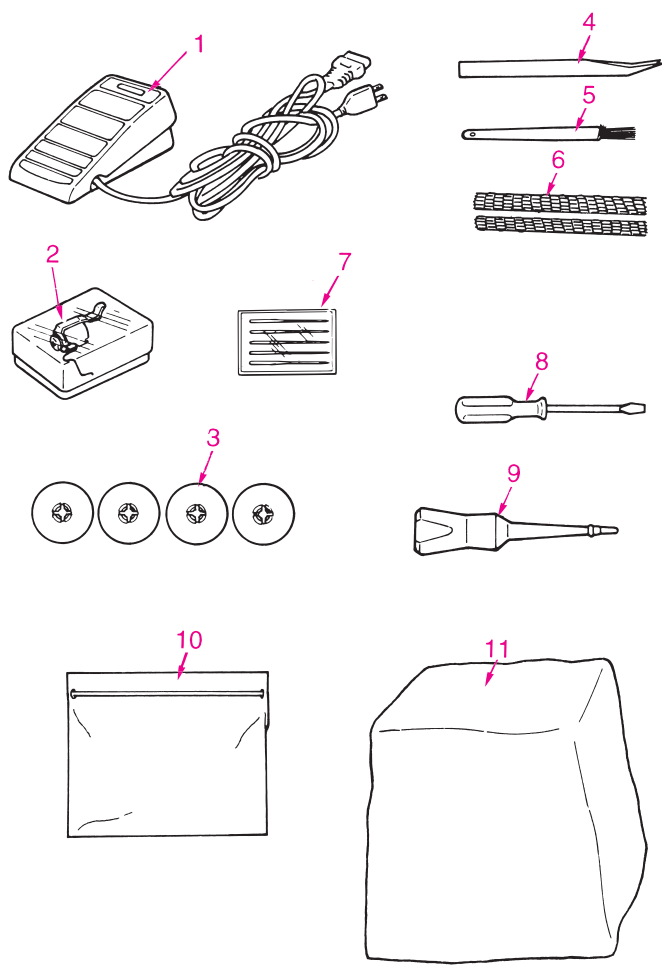
### Vue intérieure, couvercle du boucleur ouvert

1. Levier sélecteur pour exécuter des surjets ou des ourlets roulés
2. Couteau inférieur
3. Enfilage automatique du boucleur inférieur
4. Vis de réglage pour couteau inférieur
5. Boucleur inférieur
6. Boucleur supérieur



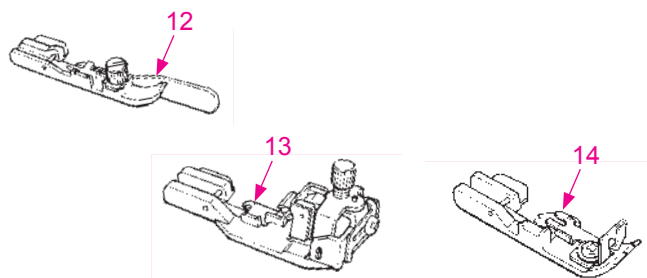
### Vue intérieure, surface de travail enlevée

1. Sélecteur pour position du couteau



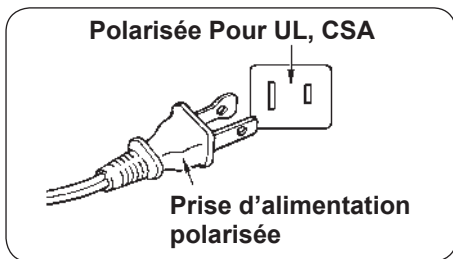
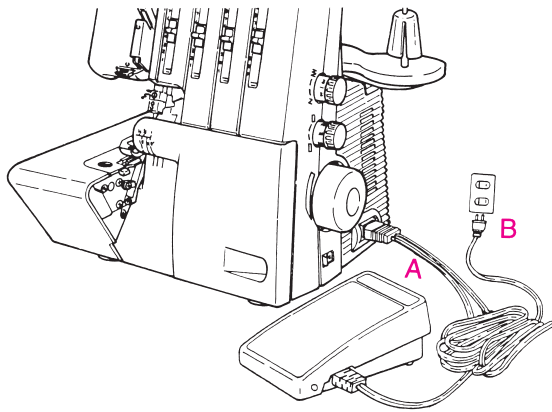
### Accessoires

1. Pédale électronique
2. Capot du boucleur supérieur
3. Rondelles de maintien
4. Pincettes
5. Pinceau / Enfile-aiguille
6. Filet
7. Jeu d'aiguilles 130/705H
8. Petit tournevis
9. Huileur
10. Pochette pour accessoires
11. Housse de protection
12. Pied presseur à points perdus
13. Élastiques
14. Pied guide-cordonnet





## Préparation de la machine

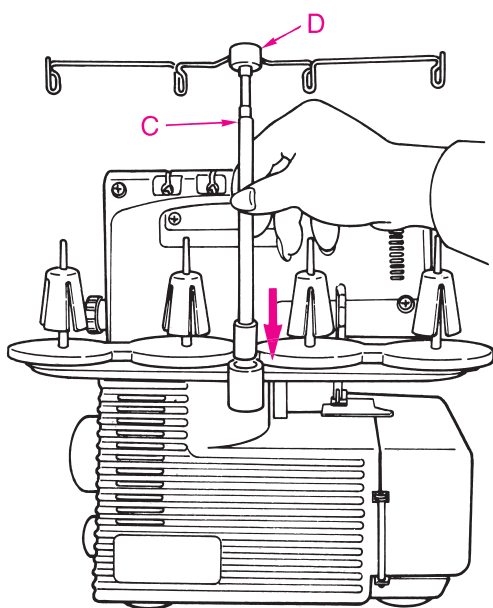


### Branchement de la pédale de commande

Brancher la pédale dans la prise de la machine à coudre (A), puis relier la prise au réseau (B). La vitesse de couture peut être modifiée en appuyant plus ou moins sur la pédale de commande.

#### ⚠ “ATTENTION”

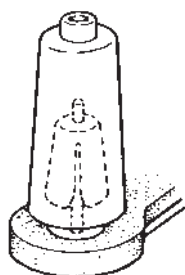
Cet appareil à une prise polarisée (une des fiches est plus large que l'autre). Afin de réduire tout risque d'électrocution cette prise ne peut se brancher que d'une seule manière. Si la prise ne se branche pas correctement ou si elle ne s'enfonce pas complètement, retournez là. Si le branchement ne va toujours pas, contactez un électricien spécialisé qui installera la prise qui convient. Ne surtout pas modifier la prise d'origine. (pour les Etats-unis et le Canada seulement).



### Support de broches à bobines

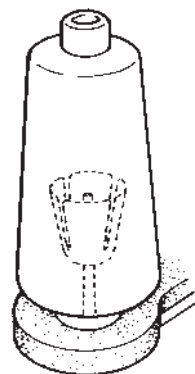
Retirer le support de guide-fil jusqu'en butée, tourner jusqu'à ce qu'il s'encliquette dans la position correspondante (C). Embrocher le guide-fil sur le support de guide-fil (D) de sorte que la flèche soit orientée vers l'avant.

## Préparation de la machine



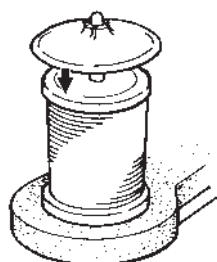
### Mise en place des bobines de fil

Si vous utilisez des cônes normaux, installez les antivibreurs sur les broches en veillant à ce que leur côté large se trouve en bas.



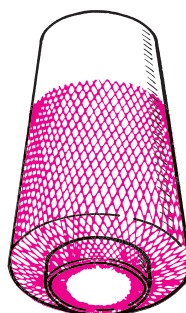
### Grandes bobines

Si vous servez de grandes bobines industrielles, installez les antivibreurs sur les broches dans le sens opposé, c'est-à-dire en plaçant le côté large en haut.



### Bobines de ménage

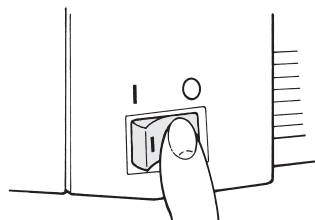
En cas d'utilisation de bobines de ménage, les antivibreurs doivent être retirés. Installez les bobines, puis posez les rondelles de maintien sur les broches. Le bord extérieur arrondi des rondelles doit être dirigé vers le bas.



### Filets pour le fil

Pour des fils fins qui se déroulent facilement du cône, il faut recouvrir les bobines du fil de boucleur supérieur et inférieur avec un filet inclus dans la pochette d'accessoires.

## Mise en service machine

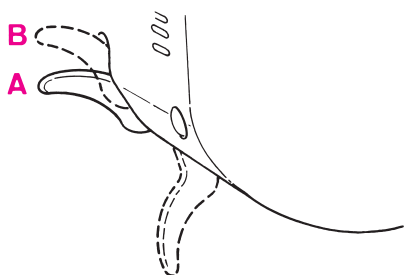
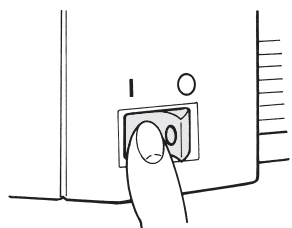


### Interrupteur principal

L'interrupteur principal et de lampe figure en bonne place du côté du volant, devant la prise:

O = Position arrêt

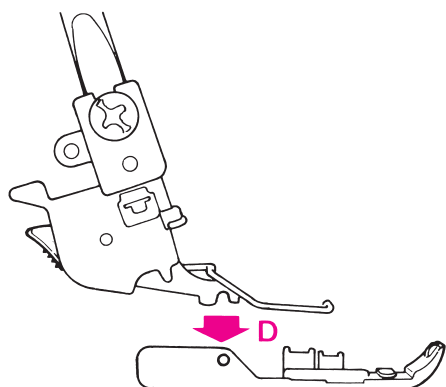
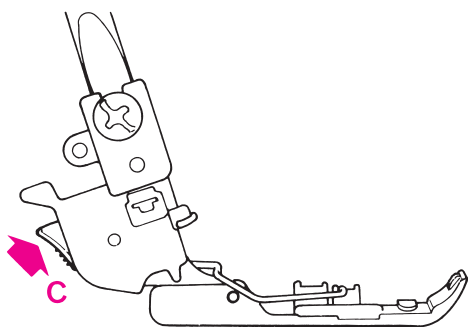
I = SOUS TENSION, lampe allumée



### Élévateur de pied-de-biche à deux positions

Pour relever le pied-de-biche, actionner le levier de l'élevateur vers le haut, jusqu'à ce qu'il reste en position (A). Lorsque le levier est placé dans sa position la plus haute, ceci a pour effet d'augmenter la distance entre la plaque à aiguille et le pied-de-biche (B).

**Indications:** lorsque le pied-de-biche est relevé, toutes les tensions de fil sont libérées. Ainsi, l'enfilage est facilité.



### Changement de pied-de-biche

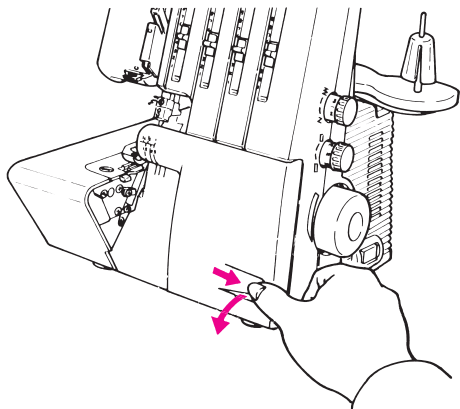
**⚠** • Mettre la machine hors circuit, placer l'interrupteur principal sur "0".

- Elever le pied-de-biche.
- Tourner le volant vers l'avant pour amener les aiguilles à leur position la plus haute.

Actionner le levier (C) pour desserrer le pied-de-biche, puis presser sur le levier (B) pour pouvoir enlever le pied en le tirant doucement vers la gauche. Pour fixer le pied-de-biche, commencer à placer celui-ci sous la barre en veillant à ce que la rainure se trouve positionnée juste au-dessus de la broche (D). Abaisser ensuite la barre du pied-de-biche. Ce dernier s'encliquette alors automatiquement.

### Couvercle des boucleurs

Pour ouvrir le couvercle du boucleur, presser l'échancrure vers la droite avec le pouce, puis rabattre le couvercle vers l'avant. Pour fermer, relever le couvercle et presser légèrement à droite. Le couvercle des boucleurs s'encliquette alors automatiquement.

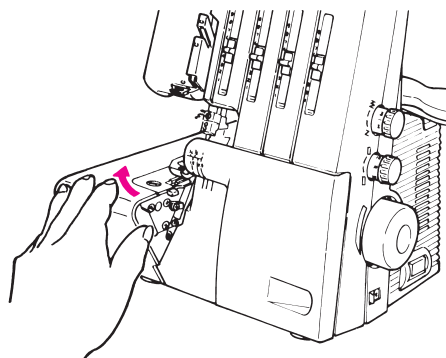


**⚠ Prudence:** Pièces en mouvement - Pour ne pas risquer de vous blesser, mettez la machine hors tension ("0") avant toute opération d'entretien et lorsque vous ouvrez le couvercle du boucleur ou le plateau-box. Refermer tous les couvercles avant l'utilisation!

### Plateau-box

Ouvrir: Pousser vers la gauche.

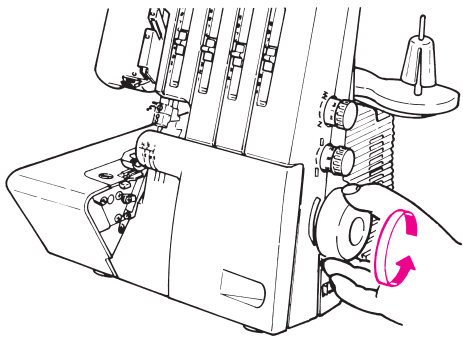
Fermer: Pousser vers la droite.



**⚠ Prudence:** Pièces en mouvement - Pour ne pas risquer de vous blesser, mettez la machine hors tension ("0") avant toute opération d'entretien et lorsque vous ouvrez le couvercle du boucleur ou le plateau-box. Refermer tous les couvercles avant l'utilisation!

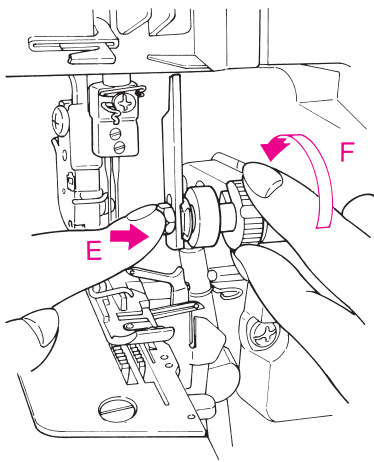
## Mise en service machine

---



### Volant

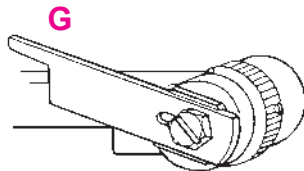
Le volant se tourne dans le sens inverse des aiguilles d'une montre (exactement comme sur une machine familiale).



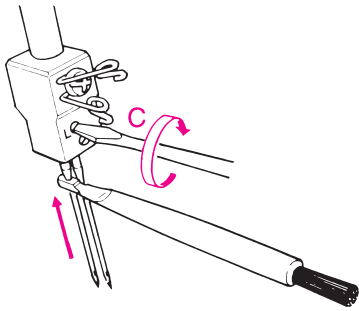
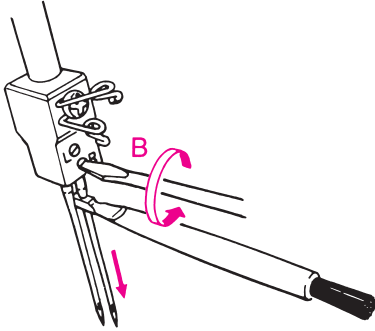
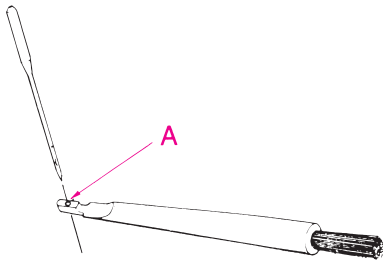
### Relever le couteau supérieur

**⚠** • Mettre la machine hors circuit, placer l'interrupteur principal sur "0".

- Séparer la machine du réseau électrique.
- Tourner le volant vers l'avant et amener les aiguilles à leur position la plus haute.
- Appuyer le support du couteau supérieur (E) vers la droite, jusqu'en butée. Tourner le bouton (F) dans le sens des aiguilles d'une montre jusqu'à ce que le couteau se trouve arrêté dans la position indiquée sur le schéma (G).



## Mise en service machine



### Mise en place des aiguilles

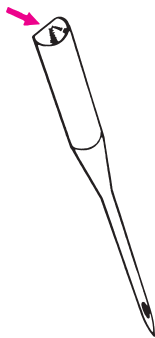
Le pinceau / enfile-aiguille permet d'insérer facilement de nouvelles aiguilles en un clin d'oeil (A).

**⚠** • Mettre la machine hors circuit, placer l'interrupteur principal sur "0".

- Séparer la machine du réseau électrique. Tourner le volant vers l'avant pour amener les aiguilles à la position la plus élevée.
- Abaisser le pied-de-biche.

A l'aide du petit tournevis, desserrer la vis de fixation des aiguilles, puis les retirer (B).

Insérer l'aiguille de droite dans le trou de guidage du manchon avec le côté plat vers l'arrière et l'introduire le plus haut possible, jusqu'à ce qu'elle bute. Serrer légèrement la vis de fixation de droite et introduire de la même manière l'aiguille de gauche. Puis bien serrer les deux vis de fixation (C).



### Aiguilles et machine

Votre surjeteuse est munie du système d'aiguilles 130/705 H (aiguilles pour machine familiale). Aussi, veuillez absolument prendre garde, lorsque vous achetez de nouvelles aiguilles, de bien recevoir celles du système 130/705 H. Utilisez des aiguilles de grosseur No. 70 -90 sur votre surjeteuse.

# Mise en service, Enfilage

---

## Préparation

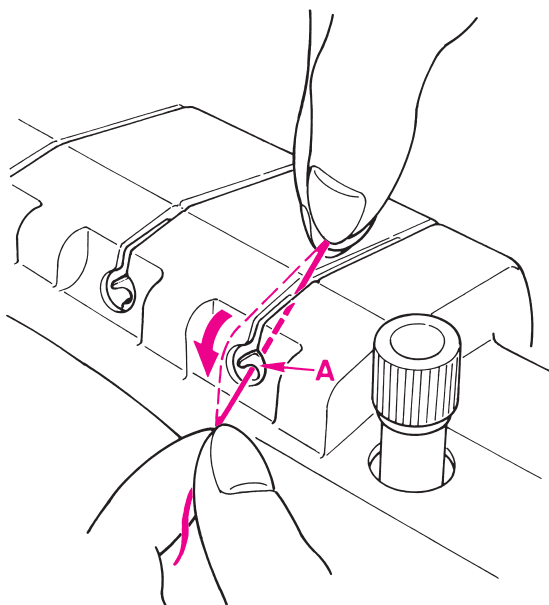
**⚠** • Mettre la machine hors circuit, placer l'interrupteur principal sur "0".

- **Séparer la machine du réseau électrique.**
- Dégager complètement le support de guide-fil et le guide-fil.
- Ouvrir le couvercle du boucleur et le plateau-box.
- Tourner le volant vers avant et amener les aiguilles dans leur position la plus haute.
- Relever le couteau supérieur.
- Relever le pied-de-biche, la tension de fil est libérée automatiquement.

Enfiler la machine avec le plus grand soin en veillant à effectuer les opérations dans l'ordre indiqué.

Les détails suivants facilitent l'enfilage:

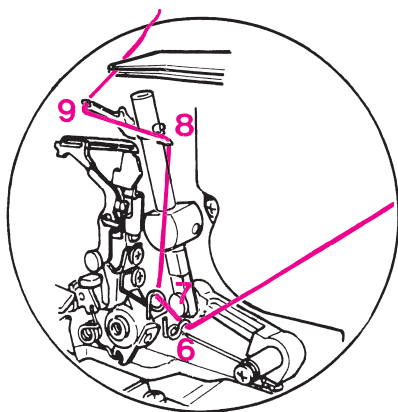
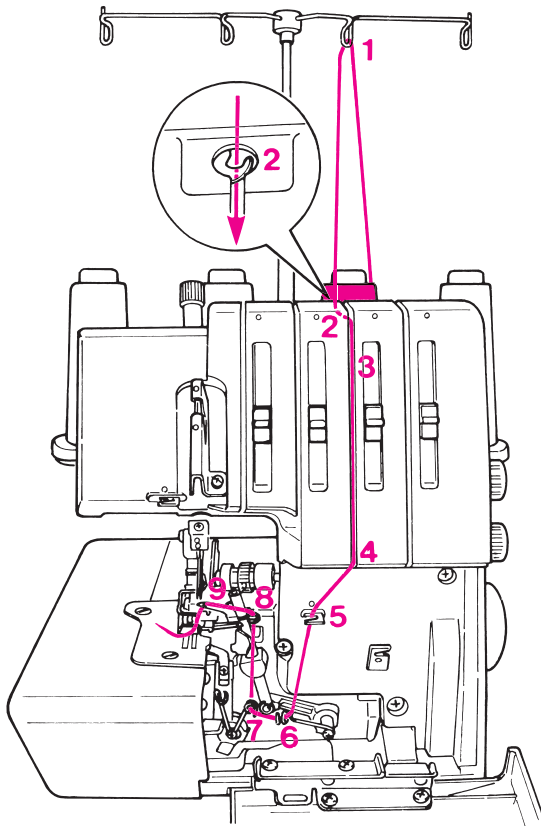
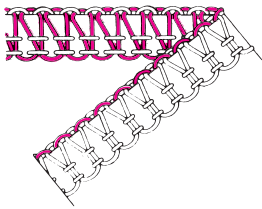
- Le schéma d'enfilage en couleur
- Le cheminement de chaque fil figurant sur la machine
- Les accessoires d'enfilage



## Premier enfilage de la machine

Saisir le fil des deux mains et le poser dans la rainure, puis presser le fil vers le bas dans le premier guide-fil jusqu'à ce qu'il s'encliquette.

# Enfilage



## 1. Fil de boucleur supérieur, repères bleus

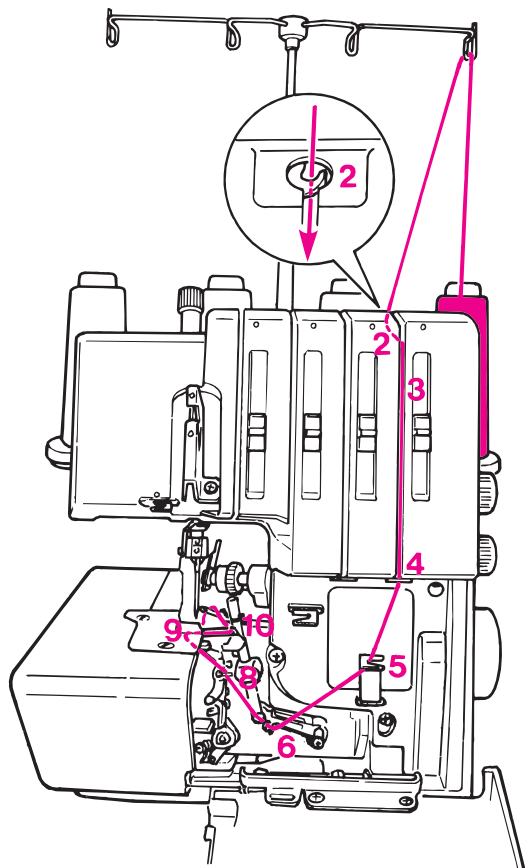
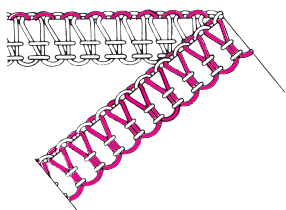
Enficher la bobine sur la broche selon illustration.

- (1) Prendre du fil à partir de la bobine et le faire passer de l'arrière vers l'avant dans le guide (le deuxième depuis la droite).
- (2) Saisir le fil des deux mains et le poser dans la rainure, puis presser le fil vers le bas dans le premier guide-fil jusqu'à ce qu'il s'encliquette.
- (3) Faire passer le fil le long de la rainure.
- (4,5,6,7,8) Guider le fil en suivant les différents points d'enfilage.
- (9) Tourner le volant et amener le boucleur supérieur dans la position indiquée, puis introduire le fil dans le chas du boucleur.
- (10) Relever le pied-de-biche, faire glisser le fil dessous. Puis rabaisser le pied-de-biche.

### Indication:

Lorsque les points sont cousus en utilisant le recouvrement du boucleur supérieur, il ne faut pas enfiler le boucleur supérieur.

# Enfilage



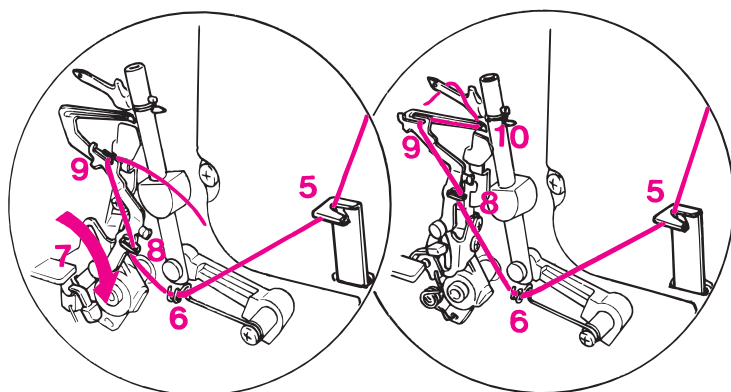
## 2. Fil de boucleur inférieur, repères rouges

Enficher la bobine sur la broche selon illustration.

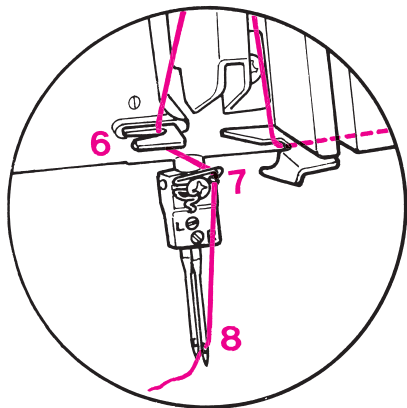
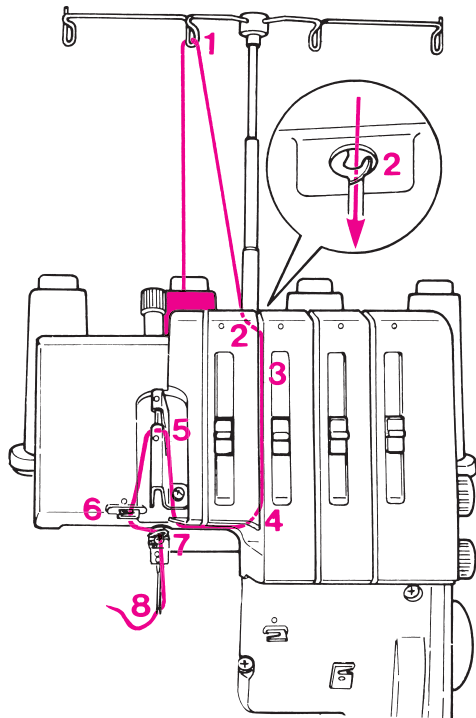
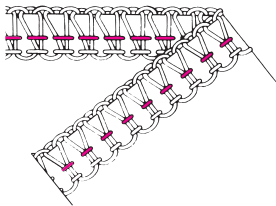
- (1) Prendre du fil à partir de la bobine et le faire passer de l'arrière vers l'avant dans le guide (tout à fait à droite).
- (2) Saisir le fil à des deux mains et le poser dans la rainure, puis presser le fil vers le bas dans le premier guide-fil jusqu'à ce qu'il s'encliquette.
- (3) Faire passer le fil le long de la rainure.
- (4,5,6) Guider le fil en suivant les différents points d'enfilage.
- (7) Presser le levier de l'enfilage automatique du boucleur inférieur vers la bas.
- (8,9) Enfiler le guide. Placer le fil dans la fente de l'enfilage automatique du boucleur inférieur. Pousser le levier l'enfilage automatique vers le haut, pour le faire revenir dans sa position initiale.
- (10) Enfiler le boucleur inférieur, puis glisser le fil sous le pied-de-piche.

### Indication:

S'il est nécessaire, lors d'une interruption de couture, de procéder à un nouvel enfilage du fil du boucleur inférieur, il faut couper et enlever les deux fils d'aiguilles au niveau du chas de l'aiguille. Enfiler d'abord le boucleur, puis les fils d'aiguilles.







## 3. Fil d'aiguille de droite, repères verts

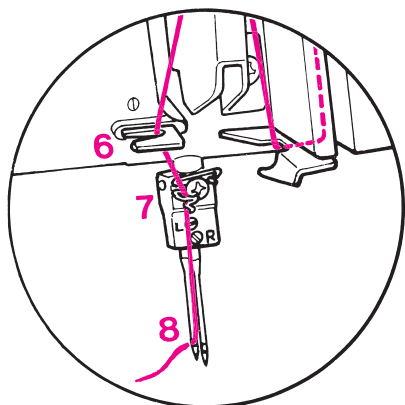
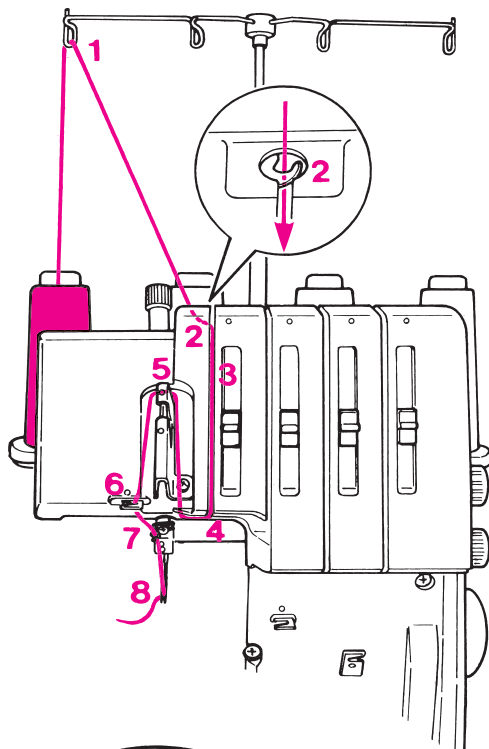
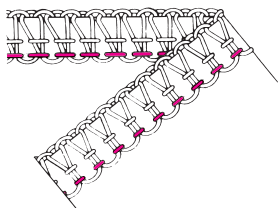
**!** • Mettre la machine hors circuit, placer l'interrupteur principal sur "0".

Enfiler la bobine sur la broche selon illustration.

- (1) Prendre du fil à partir de la bobine et le faire passer de l'arrière vers l'avant dans le guide (le deuxième depuis la gauche).
- (2) Saisir le fil des deux mains et le poser dans la rainure, puis presser le fil vers le bas dans le premier guide-fil jusqu'à ce qu'il s'encliquette.
- (3) Faire passer le fil le long de la rainure.
- (4,5) Poser le fil sous la tige de guidage, puis à travers le tendeur de fil.
- (6) Enfiler le guide.
- (7) Enfiler le guide du porte-aiguille.
- (8) Tourner le volant vers l'avant et amener les aiguilles dans leur position la plus haute.  
Introduire le fil, de l'avant vers l'arrière, dans l'aiguille de droite.
- (9) Placer le fil sous le pied-de-biche.

### Indication:

Si le fil de boucleur inférieur doit être réenfilé, commencer par couper les deux fils d'aiguille au ras du chas. Enfiler d'abord le boucleur inférieur, puis les aiguilles.



## 4. Fil d'aiguille de gauche, repères jaunes

**⚠** • Mettre la machine hors circuit, placer l'interrupteur principal sur "0".

Enfiler la bobine sur la broche selon illustration.

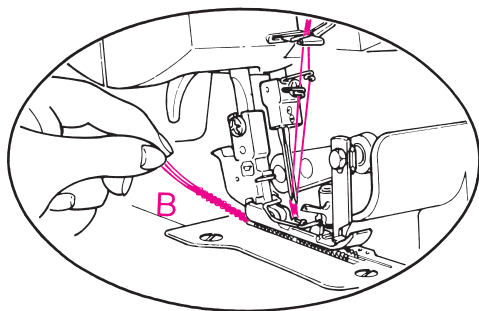
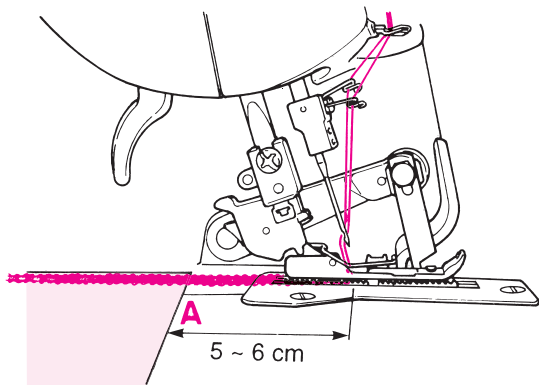
- (1) Prendre du fil à partir de la bobine et le faire passer de l'arrière vers l'avant dans le guide (tout à fait à gauche).
- (2) Saisir le fil des deux mains et le poser dans la rainure, puis presser le fil vers le bas dans le premier guide-fil jusqu'à ce qu'il s'encliquette.
- (3) Faire passer le fil le long de la rainure.
- (4,5) Poser le fil sous la tige de guidage, puis à travers le tendeur de fil.
- (6) Enfiler le guide.
- (7) Enfiler le guide du porte-aiguille.
- (8) Tourner le volant vers l'avant et amener les aiguilles dans leur position la plus haute.  
Introduire le fil, de l'avant vers l'arrière, dans l'aiguille de gauche.
- (9) Placer le fil sous le pied-de-biche.

Après l'enfilage, abaisser le couteau supérieur, le couvercle du boucleur et du plateau-box.

### Indication:

Si le fil de boucleur inférieur doit être réenfilé, commencer par couper les deux fils d'aiguille au ras du chas. Enfiler d'abord le boucleur inférieur, puis les aiguilles.

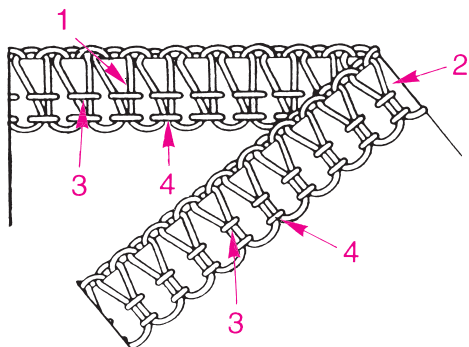
# Essai de couture, tension de fil



## Echantillon d'essai

Procéder à un échantillon, une fois l'enfilage terminé. Pour pouvoir mieux juger de l'aspect des points et de la tension de fil, coudre toujours deux épaisseurs de tissu.

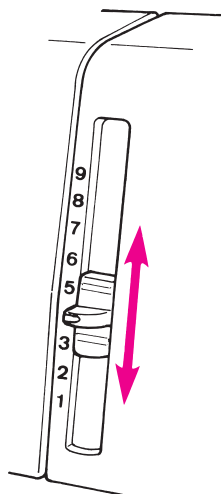
- Mettre la machine sous tension ("1").
- Placer tous les sélecteurs de tension sur 4.
- Longueur de point, mécanisme d'avance à différentiel, position du couteau (voir sous Réglage & Utilisation).
- Abaisser le couteau supérieur.
- Abaisser le pied-de-biche.
- Relever légèrement la pointe du pied-de-biche avec le pouce, poser le tissu sous le pied-de-biche jusqu'au couteau. Abaisser le pied-de-biche, puis coudre.
- Une fois l'extrémité atteinte, piquer au-delà du bord pour former une chaînette d'environ 8 cm (A). Couper les fils.
- En cas d'utilisation de fils comme le Cordonnet ou d'autres semblables, tirer la chaînette de fil (B) soigneusement à la main pour éviter tout accrochage avec la plaque à aiguille.



## Examen de l'échantillon d'essai

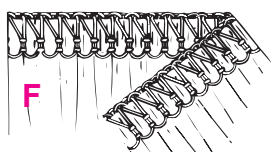
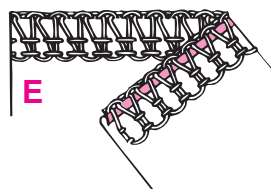
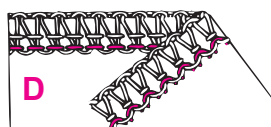
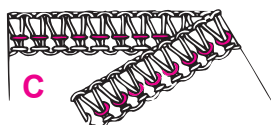
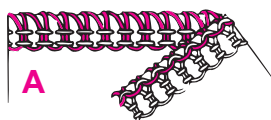
1. Fil de boucleur supérieur (bleu).
2. Fil de boucleur inférieur (rouge).
3. Fil d'aiguille de droite (vert).
4. Fil d'aiguille de gauche (jaune).

La tension de fil est bien réglée si les deux fils de boucleur se croisent exactement au bord de l'étoffe. Les fils d'aiguille sont reconnaissables aux lignes de points droits qu'ils forment et maintiennent la couture tout en la laissant élastique.



## Tension de fil

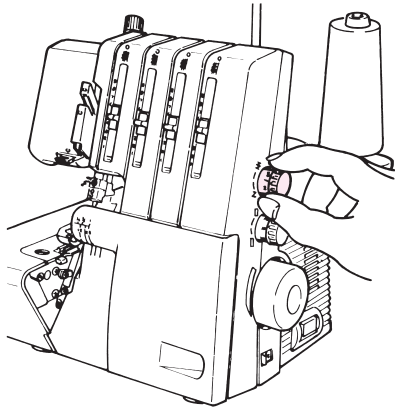
Il faut adapter la tension selon les différentes sortes de tissu utilisé. La valeur de base pour la plupart des étoffes et de fils oscillent entre 3 et 5. Cette valeur peut varier plus amplement si l'on utilise des fils spéciaux comme le cordonnet, le coton perlé, le fil texturé ou autres fils à effet. Le domaine de réglage de la tension de fil peut varier entre 1 et 9 de façon continue. La tension peut s'adapter pour chaque ouvrage. Déplacer le levier vers le haut pour augmenter la tension. Déplacer le levier vers le bas pour la diminuer.



## Adapter la tension de fil

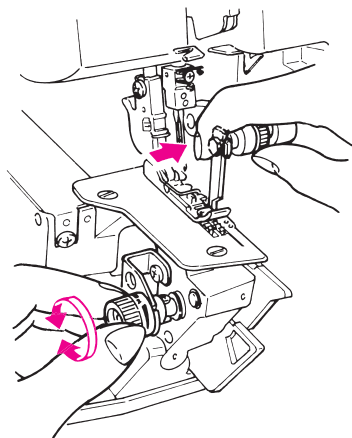
Ne lever ou n'abaisser le levier pour tension de fil que d'une demi-valeur ou d'une valeur. Faire ensuite un essai sur du tissu pour juger du résultat.

- Les noeuds sont formés sur le dessous au lieu de se trouver sur le bord du tissu.  
Dans ce cas, augmenter la tension du fil de boucleur supérieur (bleu). Relâcher la tension du fil de boucleur inférieur (rouge) (A).
- Les noeuds sont formés sur le dessus du tissu.  
Augmenter la tension du fil de boucleur inférieur (rouge). Diminuer la tension du fil de boucleur supérieur (bleu) (B).
- Le fil d'aiguille de droite forme des noeuds sur le dessous du tissu.  
Augmenter la tension de l'aiguille de droite (vert) (C).
- Le fil d'aiguille de gauche forme des noeuds sur le dessous du tissu.  
Augmenter la tension de l'aiguille de gauche (jaune) (D).
- Le bord du tissu s'enroule légèrement:  
Diminuer légèrement la tension des deux fils de boucleur (bleu et rouge) (E).
- Le tissu forme des fronces indésirables:  
Réduire la tension du fil d'aiguille de droite ou de gauche (vert ou jaune) (F).



## Longueur de point

La longueur de point peut être réglée progressivement entre 1 et 4 mm, même pendant la couture. Dans la plupart des cas, le réglage pour les coutures au point de surjet est de 2,5 mm.



## Position des couteaux

**⚠** • Mettre la machine hors circuit, placer l'interrupteur principal sur "O".

- Ouvrir le plateau-box et relever le pied-de-biche.
- Pousser le couteau supérieur vers la droite et tourner le sélecteur de la largeur de couture dans la direction désirée.
- Fermer le plateau-box et abaisser le pied-de-biche.

### Position des couteaux:

1 = 3 - 5 mm

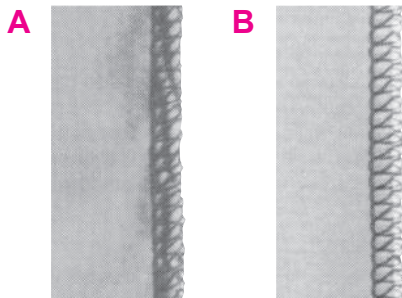
2 = 4 - 6 mm

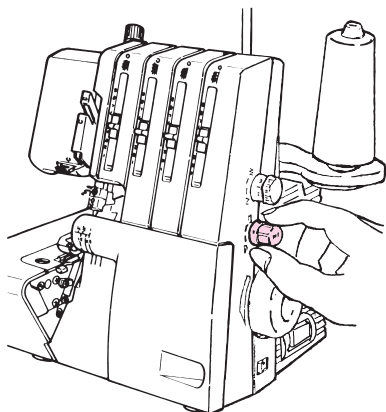
3 = 5 - 7 mm

La position du couteau inférieur détermine la largeur de couture.

Réduire la largeur de couture lorsque le bord du tissu a tendance à s'enrouler (déplacer le couteau vers la gauche) (A).

Augmenter la largeur de couture lorsque les noeuds formés semblent trop lâches (déplacer le couteau vers la droite) (B).





## Mécanisme d'avance à différentiel

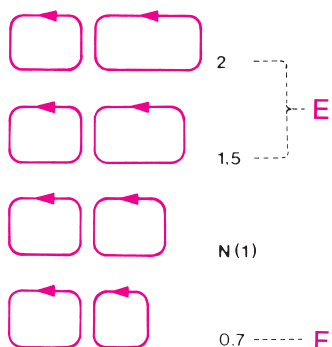
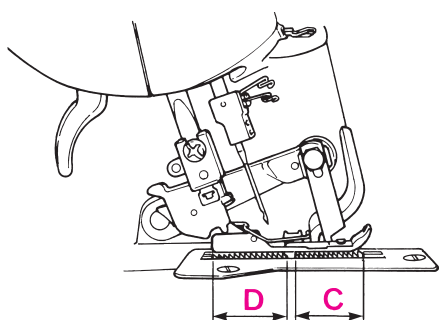
La griffe d'entraînement est constituée d'une partie avant (C) et d'une partie arrière (D). Lors de chaque mouvement, les deux pièces composant la griffe peuvent avoir des longueurs de déplacements différentes. Le différentiel vous permet d'exécuter des coutures parfaitement rectilignes et exemptes d'ondulations dans les tissus à mailles, sans avoir à craindre un décalage des épaisseurs d'étoffe. Ce dispositif empêche également que les tissus lisses tel le nylon ou les matériaux au tissage serré ne se rétractent lors de la couture (E).

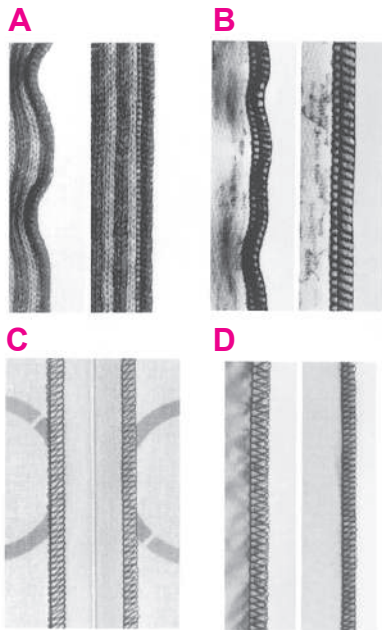
### Travail des tissus à mailles - suppression des ondulations

La longueur d'avance de la griffe avant doit être supérieure à celle de la griffe arrière. La griffe avant laisse avancer la longueur de tissu que la griffe arrière peut transporter sans risque d'étirage de l'ouvrage.

### Travail des étoffes tissées et du nylon - pas de rétrécissement du tissu

La longueur d'avance de la griffe arrière doit être supérieure à celle de la griffe avant. La griffe avant retient la longueur de tissu que la griffe arrière peut transporter sans risque de rétrécissement de l'ouvrage (F).

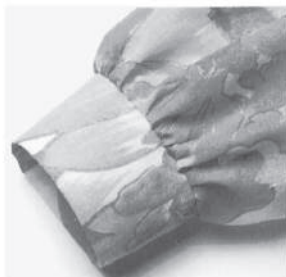




## Réglage du mécanisme d'avance à différentiel

Pour effectuer le réglage, il suffit de tourner le sélecteur correspondant jusqu'à obtention de la valeur souhaitée. Commencer toujours par faire un essai de couture. Le mécanisme d'avance à différentiel peut être réglé progressivement même pendant la couture.

	Effet	Tissu
2	Couture exempte d'ondulations (A)	Tissus en laine tricotée épais, tricotés faits main, matériaux très élastiques
1,5	Couture exempte d'ondulations (B)	Jersey de coton, de soie ou synthétique, étoffes pour sweatshirt et tissus tricotés fins.
N	Entraînement normal (C)	Etoffes tissées
0,7	Suppression des fronces indésirables (D)	Tricotés en nylon, étoffes à tissage serré, doublures, satin, popeline



## Fronces

Le mécanisme d'avance à différentiel permet de froncer une épaisseur de tissu fin.

Exemples d'application: manches, bracelets de fermeture, empiècements, parmentures en dentelle, volants, etc.

### Réglage:

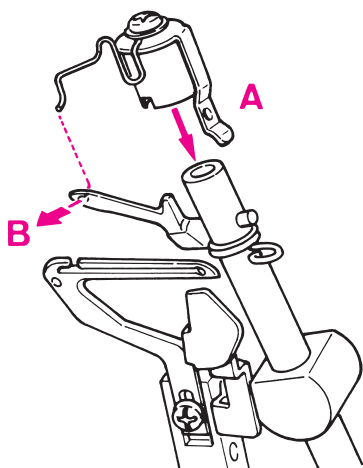
- Point de surjet: à 4 fils
- Avance différentielle: 2
- Longueur de point: 3-4
- Largeur de la couture: 2-3

Pour obtenir des fronces plus marquées, augmenter les tensions de fil d'aiguille (6-8).

### Indication:

Si le travail ne nécessite pas l'enclenchement du mécanisme d'avance à différentiel, placer le sélecteur sur N.

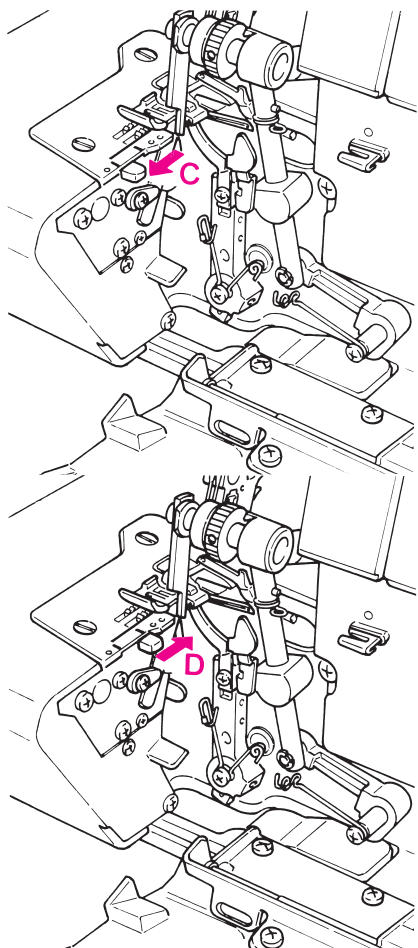
### Recouvrement du boucleur supérieur



Le recouvrement du boucleur supérieur permet de coudre des points avec un seul fil de boucleur comme par exemple l'ourlet roulé à 2 fils, la couture plate à 2 fils et le point de surjet à 2 fils.

- Tourner le volant pour amener les aiguilles à leur position la plus basse.
- Mettre la machine hors circuit, l'interrupteur principal sur "O".
- Ouvrir le couvercle des boucleurs.
- Enfiler le recouvrement du boucleur supérieur (pochette d'accès) sur le bras du boucleur supérieur (A). Faire passer le fil depuis l'arrière dans le chas du boucleur supérieur (B).

Le boucleur supérieur devient un contre-crochet, c'est-à-dire qu'il n'entraîne aucun fil, mais par contre il guide le fil du boucleur inférieur de sorte que celui-ci entoure complètement le bord du tissu.



### Rouloteur

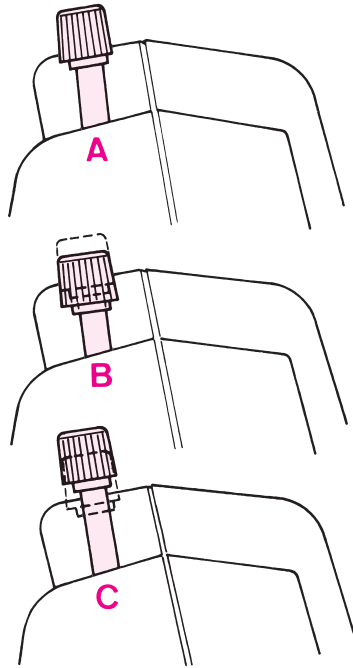
- Tourner le volant vers l'avant et amener les aiguilles dans leur position la plus haute.
- Pour le roulottage, éloigner le levier sélecteur du pied-de-biche jusqu'au repère situé à l'avant de la plaque à aiguille (C).
- Pour le point de surjet, déplacer le levier sélecteur vers le pied-de-biche, jusqu'au repère situé à l'arrière de la plaque à aiguille (D).

Le rouloteur est complètement incorporé à la machine.

Durant la couture, le bord du tissu s'enroule et il est entouré par un fil. Il en résulte de belles finitions sur les tissus fins. Il convient particulièrement pour orner des foulards, des écharpes, de la lingerie, des robes longues de soirée ou des rideaux fins comme aussi les serviettes.



## Réglage et utilisation



### Pression du pied-de-biche

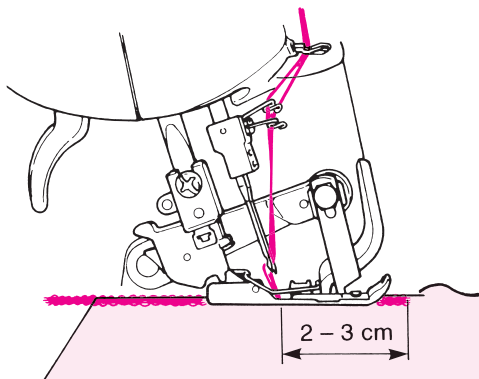
La pression du pied-de-biche est réglée en usine sur une valeur moyenne. Dans certains cas, pour mieux s'adapter à l'ouvrage, tourner la vis de réglage pour la pression du pied, dans la direction désirée.

Position de la vis de réglage pour une pression normale (A).

Augmenter la pression: pour les étoffes épaisses et raides du type jeans, tweed, lin grossier (B).

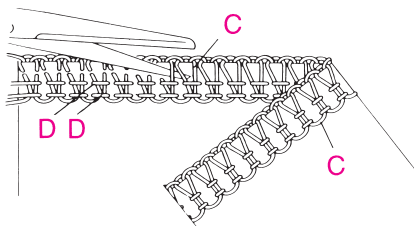
Diminuer la pression: pour les tissus légers tels le voile de soie, le crêpe Georgette, la batiste (C).

## Applications pratiques



### Cassure du fil durant la couture

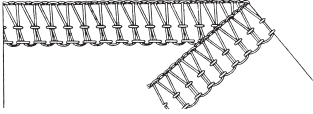
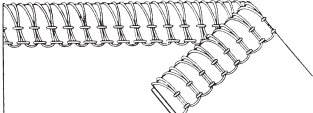
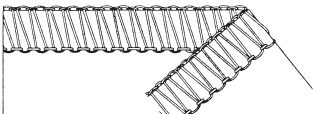
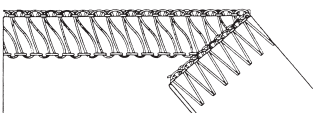
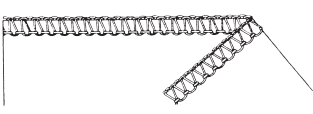
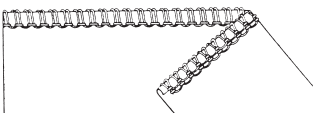
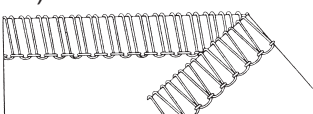
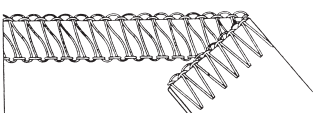
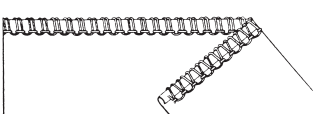
Attendre aussitôt, le bord du tissu en réalisant un angle aigu. Puis, retirer l'ouvrage. Recommencer l'enfilage. Si c'est le fil du boucleur inférieur qui est cassé, il faut alors couper les deux fils d'aiguille au niveau du chas, et les enlever. Enfiler d'abord le boucleur, ensuite les fils d'aiguille. Reprendre la couture environ 2 à 3 cm avant l'endroit où la cassure a eu lieu.



### Découdre une couture

Avec un ciseau pointu, couper les boucles (C). Tirer sur les fils d'aiguille (D). Ainsi, la couture se libère.

## Récapitulatif des points

Point	Largeur de point	Tension de fil	Réglage de base
Surjet à 4 fils avec point de sécurité intégré 	5-7 mm Aiguille de droite et de gauche	Aiguille de gauche (jaune) 3-5 Aiguille de droite (vert) 3-5 Boucleur supérieur (bleu) 3-5 Boucleur inférieur (rouge) 3-5	Longueur de point: 2,5 Position du couteau: 2 Différentiel: N-2 (tissus à mailles) 0,7-N (éttoffe tissée)
Super-stretch à 3 fils 	5-7 mm Aiguille de droite et de gauche	Aiguille de gauche (jaune) 3-5 Aiguille de droite (vert) 3-5 Boucleur inférieur (rouge) 3-5	Longueur de point: 2,5 Position du couteau: 1-2 Différentiel: N-2 Recouvrement du boucleur supérieur
Surjet à 3 fils 	3-5 mm Aiguille de droite 5-7 mm Aiguille de gauche	Aiguille de gauche (jaune) 3-5 Aiguille de droite (vert) 3-5 Boucleur supérieur (bleu) 3-5 Boucleur inférieur (rouge) 3-5	Longueur de point: 2,5 Position du couteau: 2 Différentiel: N-1,5 (tissus à mailles) 0,7-N (éttoffe tissée)
Couture plate à 3 fils 	3-5 mm Aiguille de droite 5-7 mm Aiguille de gauche	Aiguille de gauche (jaune) 1-2 Aiguille de droite (vert) 1-2 Boucleur supérieur (bleu) 3-5 Boucleur inférieur (rouge) 7-9	Longueur de point: 2,5 Position du couteau: 2 Différentiel: N-1,5 (tissus à mailles) 0,7-N (éttoffe tissée)
Couture roulée à 3 fils 	1.5 mm Aiguille de droite	Aiguille de droite (vert) 3-5 Boucleur supérieur (bleu) 3-5 Boucleur inférieur (rouge) 3-5	Longueur de point: 1-1,8 Position du couteau: 1-1,5 Différentiel: N-0,7 Levier sélecteur: ourlet roulé
Ourlet roulé à 3 fils 	1.5 mm Aiguille de droite	Aiguille de droite (vert) 3-5 Boucleur supérieur (bleu) 3-5 Boucleur inférieur (rouge) 7-9	Longueur de point: 1-1,8 Position du couteau: 1-1,5 Différentiel: N-0,7 Levier sélecteur: ourlet roulé
Surjet à 2 fils (surfilage des bords) 	3-5 mm Aiguille de droite 5-7 mm Aiguille de gauche	Aiguille de gauche (jaune) 3-5 Aiguille de droite (vert) 3-5 Boucleur inférieur (rouge) 2-4	Longueur de point: 2,5 Position du couteau: 2 Différentiel: N-1,5 (tissus à mailles) 0,7-N (éttoffe tissée) Recouvrement du boucleur supérieur
Couture plate à 2 fils 	3-5 mm Aiguille de droite 5-7 mm Aiguille de gauche	Aiguille de gauche (jaune) 1-2 Aiguille de droite (vert) 1-2 Boucleur inférieur (rouge) 3-5	Longueur de point: min. 2,5 Position du couteau: 2 Différentiel: N Recouvrement du boucleur supérieur
Ourlet roulé à 2 fils 	1.5 mm Aiguille de droite	Aiguille de droite (vert) 3-5 Boucleur inférieur (rouge) 3-5	Longueur de point: 1-1,8 Position du couteau: 1-1,5 Différentiel: N-0,7 Levier sélecteur: ourlet roulé Recouvrement du boucleur supérieur

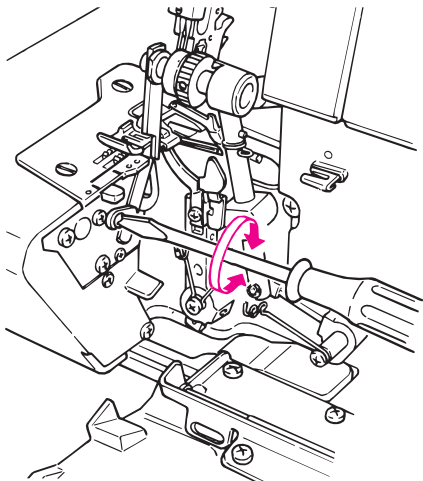


# ATTENTION

Observez les consignes de sécurité!

### Remplacement du couteau supérieur

Le couteau supérieur (mobile) est réalisé en métal dur et n'a pas besoin d'être remplacé. S'il arrive malgré tout que la lame soit détériorée, faire appel au le distributeur de votre région qui changera le couteau supérieur.



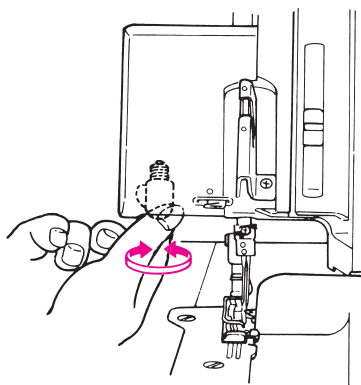
### Changer le couteau inférieur



**Séparer la machine du réseau électrique en débranchant le cordon.**

Remplacer les couteaux

Si les couteaux sont endommagés, prière de les faire changer par votre le distributeur de votre région.



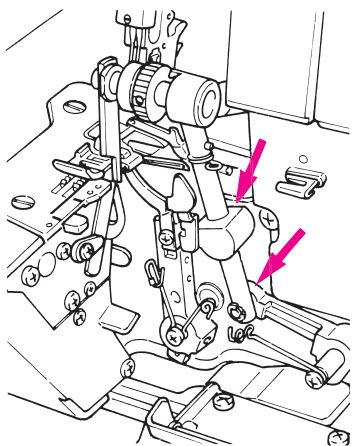
### Remplacer l'ampoule



**Mettre la machine hors circuit, Placer l'interrupteur principal sur "O". Séparer la machine du réseau électrique en débranchant le cordon.**

Dévisser l'ampoule défectueuse et la remplacer par une neuve. La consommation de l'ampoule est de 15 watts pour les machines en 120 V et de 10 watts pour les machines en 230 V / 240 V.

Il est possible d'obtenir des ampoules de rechange dans tous le distributeur de votre région.



### Nettoyer et huiler



**ATTENTION** Veuillez observer les consignes de sécurité! **Séparer la machine du réseau électrique en débranchant le cordon.**

Pendant le couture et la coupe, une quantité importante de poussière, de bourre, ou de fil, ou de tissu s'accumule dans la machine. Procéder régulièrement au nettoyage. La surjeteuse doit être huilée peu souvent. Huiler seulement les points indiqués sur le schéma en cas d'utilisation intensive. Prière d'observer les prescriptions de sécurité.

#### **Précautions à prendre lors de la manipulation d'huile**

- \* Dans le cas où l'huile pénètre dans l'oeil ou adhère sur la peau, laver immédiatement afin de prévenir les irritations et les rougeurs.
- \* En cas d'ingestion accidentelle, consulter immédiatement un medecin pour obtenir des conseils médicaux afin de prévenir la diarrhée et des vomissements.
- \* Tenir l'huile hors de la portée des enfants.
- \* L'huile doit jetée et recyclée être conformité avec la législation en vigueur.

## Éliminer les défauts

Défaut	Cause	Remède	Page
La machine ne coud pas	<ul style="list-style-type: none"> <li>L'interrupteur principal n'est pas enclenché.</li> <li>La machine n'est pas branchée.</li> </ul>	<ul style="list-style-type: none"> <li>Mettre la machine sous tension, puis l'interrupteur principal sur "I".</li> </ul>	8
		<ul style="list-style-type: none"> <li>Relier le cordon de la machine avec la prise femelle du secteur.</li> </ul>	7
L'entraînement du tissu est irrégulier	<ul style="list-style-type: none"> <li>L'avance différentielle n'est pas réglée correctement.</li> <li>La pression du pied-de-biche est insuffisante.</li> <li>La lame du couteau supérieur / inférieur est émoussée ou le couteau n'est pas positionné correctement.</li> </ul>	<ul style="list-style-type: none"> <li>Contrôler le réglage de l'avance différentielle.</li> </ul>	20
		<ul style="list-style-type: none"> <li>Augmenter la pression du pied-de-biche.</li> </ul>	23
		<ul style="list-style-type: none"> <li>Remplacer la lame du couteau supérieur / inférieur.</li> </ul>	25
Cassure du fil	<ul style="list-style-type: none"> <li>La tension est trop forte pour le fil choisi.</li> <li>L'enfilage de la machine n'est pas correct.</li> <li>L'aiguille n'est pas posée correctement.</li> <li>De fausses aiguilles sont utilisées.</li> </ul>	<ul style="list-style-type: none"> <li>Réduire la tension de fil.</li> </ul>	18
		<ul style="list-style-type: none"> <li>Procéder à l'enfilage correct de la machine.</li> </ul>	13-16
		<ul style="list-style-type: none"> <li>Introduire les aiguilles jusqu'en butée dans le porte-aiguille, le talon étant dirigé vers l'arrière.</li> </ul>	11
		<ul style="list-style-type: none"> <li>Employer des aiguilles système 130/705H.</li> </ul>	11
Les aiguilles cassent	<ul style="list-style-type: none"> <li>Les aiguilles sont tordues ou époinçées. Les pointes des aiguilles sont endommagées.</li> <li>Les aiguilles ne sont pas posées correctement.</li> <li>Le tissu est étiré tout en cousant.</li> </ul>	<ul style="list-style-type: none"> <li>Remplacer les aiguilles.</li> </ul>	11
		<ul style="list-style-type: none"> <li>Introduire les aiguilles jusqu'en butée dans le porte-aiguille, le talon étant dirigé vers l'arrière.</li> </ul>	11
		<ul style="list-style-type: none"> <li>Guider le tissu en le tenant légèrement des deux mains.</li> </ul>	--
Les points ne se forment pas toujours	<ul style="list-style-type: none"> <li>Les aiguilles sont tordues ou époinçées.</li> <li>De fausses aiguilles sont utilisées.</li> <li>La pression du pied-de-biche est trop faible.</li> </ul>	<ul style="list-style-type: none"> <li>Remplacer les aiguilles.</li> </ul>	11
		<ul style="list-style-type: none"> <li>Employer des aiguilles système 130/705H.</li> </ul>	11
		<ul style="list-style-type: none"> <li>Augmenter la pression du pied-de-biche.</li> </ul>	23
Points irréguliers	<ul style="list-style-type: none"> <li>Le fil n'est pas placé correctement entre les disques de tension.</li> <li>Le fil s'est entortillé.</li> <li>L'enfilage n'est pas correct.</li> </ul>	<ul style="list-style-type: none"> <li>Vérifier que les fils soient bien pris dans les disques de tension.</li> </ul>	12
		<ul style="list-style-type: none"> <li>Relever le pied-de-biche, tirer les fils, vérifier l'enfilage, abaisser le pied-de-biche.</li> </ul>	9
		<ul style="list-style-type: none"> <li>Vérifier le parcours de chaque fil.</li> </ul>	13-16
		<ul style="list-style-type: none"> <li>Vérifier le parcours de chaque fil.</li> </ul>	13-16
Le tissu ondule pendant la couture (tissus à mailles)	<ul style="list-style-type: none"> <li>Le tissu a été tiré en cours de travail.</li> <li>La pression du pied-de-biche est trop forte.</li> <li>L'avance différentielle n'est pas réglée correctement.</li> </ul>	<ul style="list-style-type: none"> <li>Guider le tissu légèrement.</li> </ul>	--
		<ul style="list-style-type: none"> <li>Diminuer la pression du pied-de-biche.</li> </ul>	23
		<ul style="list-style-type: none"> <li>Sélectionner une avance différentielle comprise entre N et 2.</li> </ul>	20
Le tissu se rétracte (fronçage des coutures)	<ul style="list-style-type: none"> <li>La tension du fil d'aiguille est trop forte.</li> <li>L'avance différentielle n'est pas réglée correctement.</li> </ul>	<ul style="list-style-type: none"> <li>Desserrer la tension du fil d'aiguille.</li> </ul>	18
		<ul style="list-style-type: none"> <li>Sélectionner une avance différentielle comprise entre 0,7 et N.</li> </ul>	20
Le bord du tissu s'enroule	<ul style="list-style-type: none"> <li>Chaque point retient trop de tissu.</li> <li>La tension du fil est trop élevée.</li> <li>Le levier sélecteur est positionné sur ourlet roulé.</li> </ul>	<ul style="list-style-type: none"> <li>Diminuer la largeur de la couture.</li> </ul>	19
		<ul style="list-style-type: none"> <li>Diminuer la tension de fil.</li> </ul>	18
		<ul style="list-style-type: none"> <li>Placer le levier sélecteur sur point de surjet.</li> </ul>	22
Le nouage des fils est lâche	<ul style="list-style-type: none"> <li>Le tissu est insuffisant à l'intérieur du point.</li> </ul>	<ul style="list-style-type: none"> <li>Augmenter la largeur de la couture.</li> </ul>	19

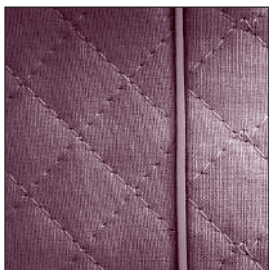
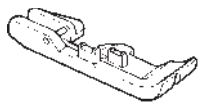
## Caractéristiques techniques

Les différents points possibles	2 aiguilles 2 boucleurs: surjet à 4 fils avec point de sécurité intégré 1 aiguille 2 boucleurs: surjet à 3 fils, couture plate, ourlet roulé 1 aiguille 1 boucleur: surjet à 2 fils, couture plate, ourlet roulé 2 aiguilles 1 boucleur: super-stretch à 3 fils
Système d'aiguilles	130/705H
Largeur de point	3 - 5 mm: (surjet à 2 / 3 fils) 5 - 7 mm: (surjet à 4 fils, super-stretch à 3 fils)
Longueur de point	1 - 4 mm
Avance différentielle	Effet de fronçage N - 2 Allongement 0,7 - N
Elévation du pied-de-biche	5 mm
Volant	Sens de rotation en avant, identique à celui d'une machine à coudre familiale
Vitesse de la machine	Max. 1500 sti/min
Poids	7 kg
Dimensions	315(L) × 290(P) × 290(H) mm
Pédale	Modèle No. YC-482 (USA, Canada) YC-483N (220-240V)

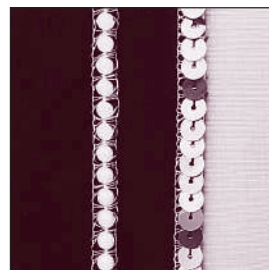
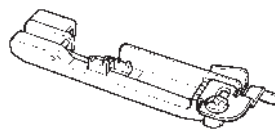
Sous réserve de modifications dans l'intérêt du progrès technique.

## Accessoires spéciaux

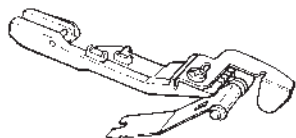
- Pied presseur à ganser



- Pied presseur à emperler



- Pied presseur à froncer



Contacter le distributeur de votre région.



**JUKI**®

**JUKI CORPORATION**

2-11-1, TSURUMAKI, TAMA-SHI,  
TOKYO, 206-8551, JAPAN

**PHONE** : (81)42-357-2341

**FAX** : (81)42-357-2379

Copyright © 2017 JUKI CORPORATION  
All rights reserved throughout the world.  
Reservados todos los derechos en todo el mundo.  
Tous les droits sont réservés à travers le monde.

