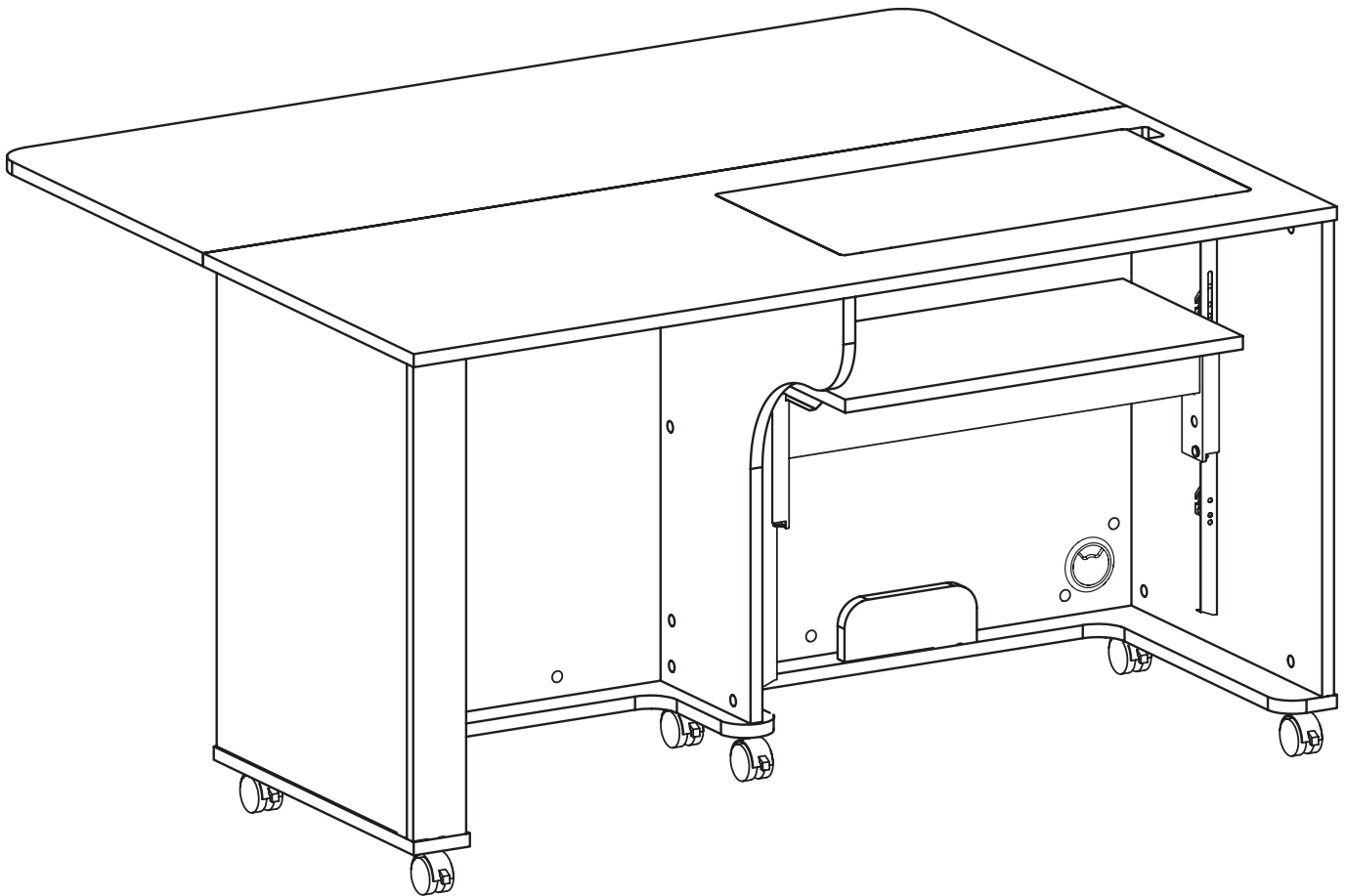


## ASSEMBLY INSTRUCTIONS

# Laverne

ITEM NO.: 451 White  
455 Teak



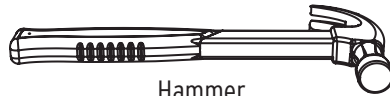
# General Assembly Guidelines

1. Read the instructions carefully before beginning the assembly process to ensure proper assembly of this product. Please open and inspect the contents of box(es) to see that all parts and hardware are included.

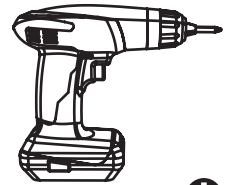
## 2. Tools Required



Phillips Screwdriver +

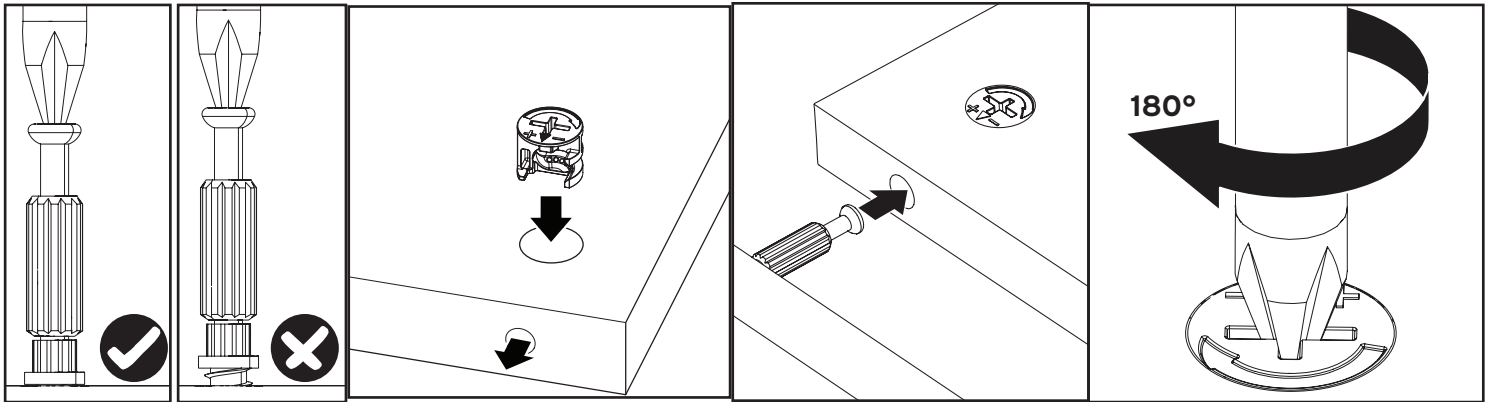


Hammer



Electric Screwdriver +  
Torque set to 3-5

## 3. Understanding How the Cam Fastener Works



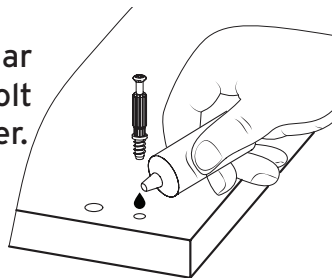
Screw cam bolts flush as illustrated.

Press cam into hole until flush with surface. The arrow direction must be in the direction of the hole.

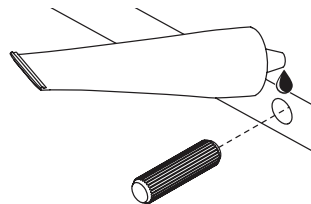
Insert bolt through pre-drilled hole in edge of panel.

Turn clockwise to lock cam with bolt.

**Tip:** place a small bit of WD-40 or similar lubricant into the pre-installed cam bolt holes to help the cam bolts screw in better.



4. **Glue** provided is to secure wood dowels in place and is optional. If glue is used during assembly, locate the appropriate hole for the dowel, place a small amount of glue in the hole and insert the dowel. Wipe away excess glue immediately. It is not necessary to glue the other end of the dowel when attaching to other parts.

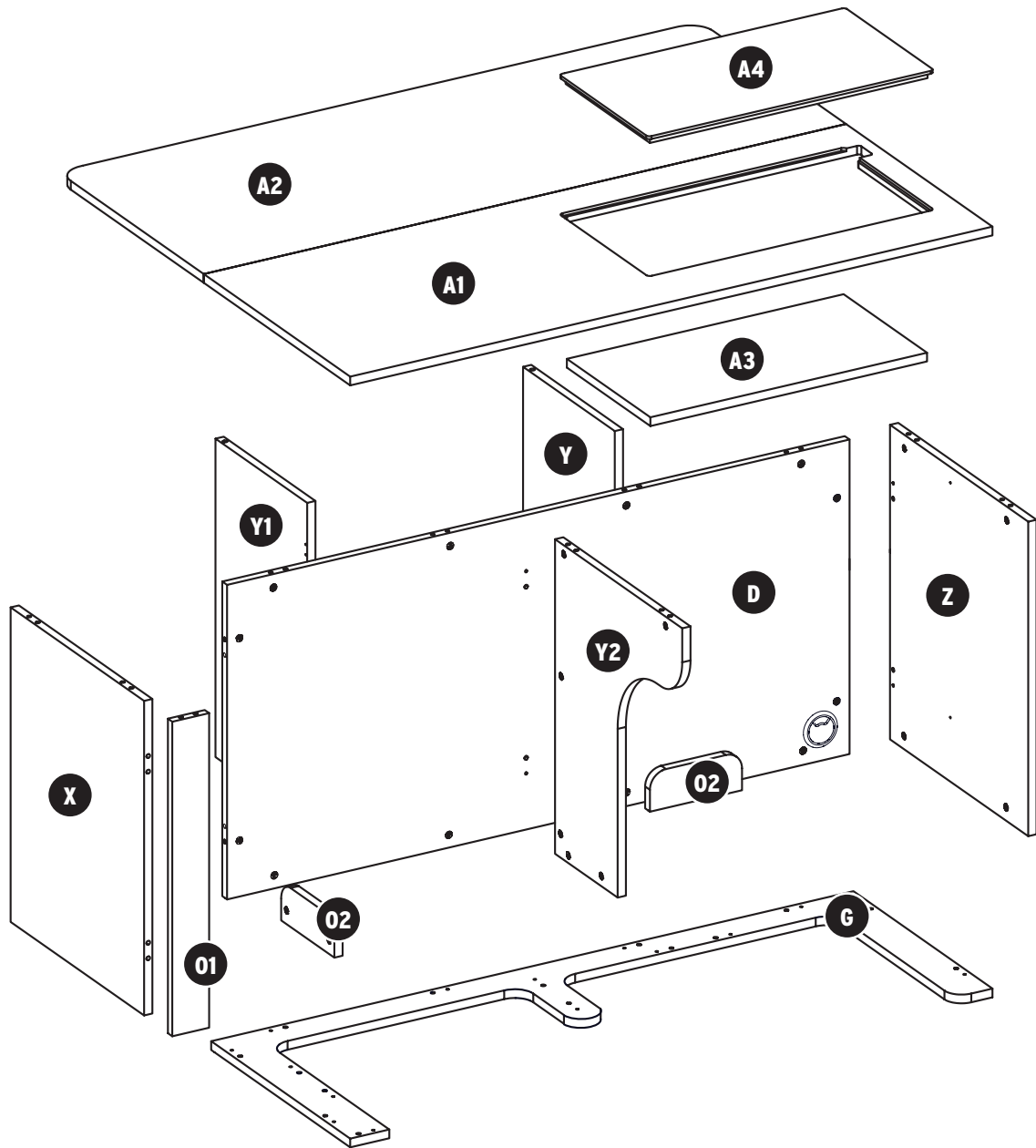


**Use and Care** Your cabinet normally requires a minimum amount of maintenance; however, the following points are worth noting:

**Cleaning** - To remove marks and enhance the surface, wipe with a gentle all-purpose cleanser. **DO NOT** use ammonia-based, harsh chemicals or abrasive cleaning agents. Wipe dry immediately.

**Electrical and Hydraulic Lifts** - Require annual lubrication with WD-40 or similar lubricant.

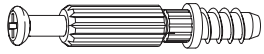
# Parts List: Panels



ITEM	DESCRIPTION	QTY.	PACK.	ITEM	DESCRIPTION	QTY.	PACK.
<b>A3</b>	Lift Panel	1	1 of 3	<b>A1</b>	Top Panel	1	2 of 3
<b>O2</b>	Insert Holders	2	1 of 3	<b>A2</b>	Quilt Leaf Panel	1	2 of 3
<b>X</b>	Left Side Panel	1	1 of 3	<b>A4</b>	Cover Panel	1	2 of 3
<b>Y</b>	Gate Leg Panel	1	1 of 3	<b>D</b>	Back Panel	1	2 of 3
<b>Y1</b>	Gate Leg Panel	1	1 of 3	<b>G</b>	Bottom Panel	1	2 of 3
<b>Y2</b>	Center Panel	1	1 of 3	<b>O1</b>	Left Side Stabilizing Panel	1	2 of 3
<b>Z</b>	Right Side Panel	1	1 of 3	<b>BOX</b>	Manual, Hardware, Lift	1	3 of 3

# Parts List: Hardware

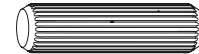
**TIP: Keep all the parts in their individually labeled bags. This will make finding parts easier as you assemble your cabinet.**



**c1** 6x35 Cam Bolt **x34**



**c2** 5/8" Cam Cover **x34**



**d1** 8x30 Dowel Pin **x34**



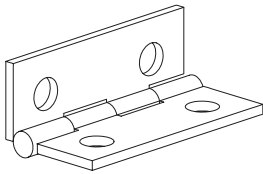
**s1** 3.5x16 Screw **x10**



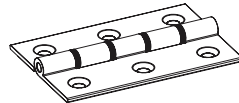
**s2** 4x16 Screw **x58**



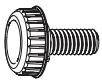
**s3** 3x30 Screw **x4**



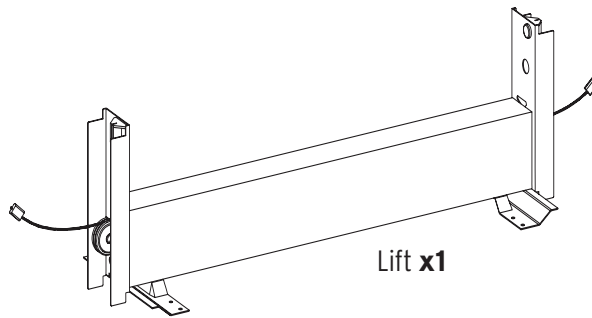
**h2** Hinge **x3**



**h1** Hinge **x4**



**a** Alignment Pin **x2**



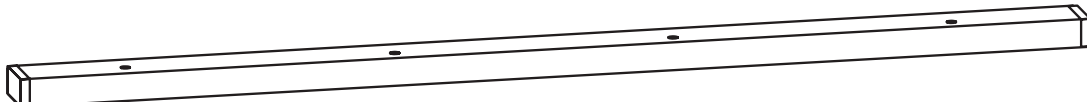
Lift **x1**



Lift Rail (Left) **x1**



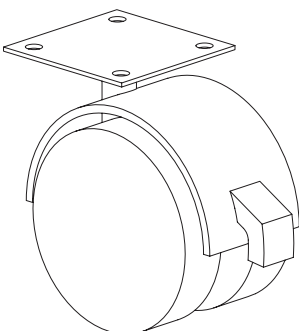
Lift Rail (Right) **x1**



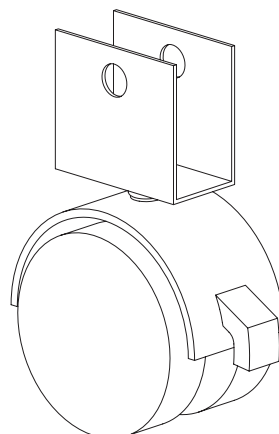
Metal Support Bar **x1**



**b** 6x25 Bolt and nut **x2**



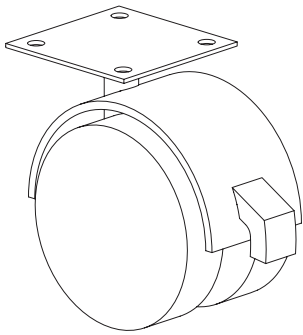
**t1** Plate Caster **x6**



**t2** Caster **x2**

# Step 1: Cabinet Shell

Congratulations and welcome to Arrow Sewing Furniture! We can't wait to get your brand new Laverne Sewing Cabinet up and running. Please contact our Customer Service Team at 1-800-533-7347 ext. 1 during normal business hours with any assembly related questions.



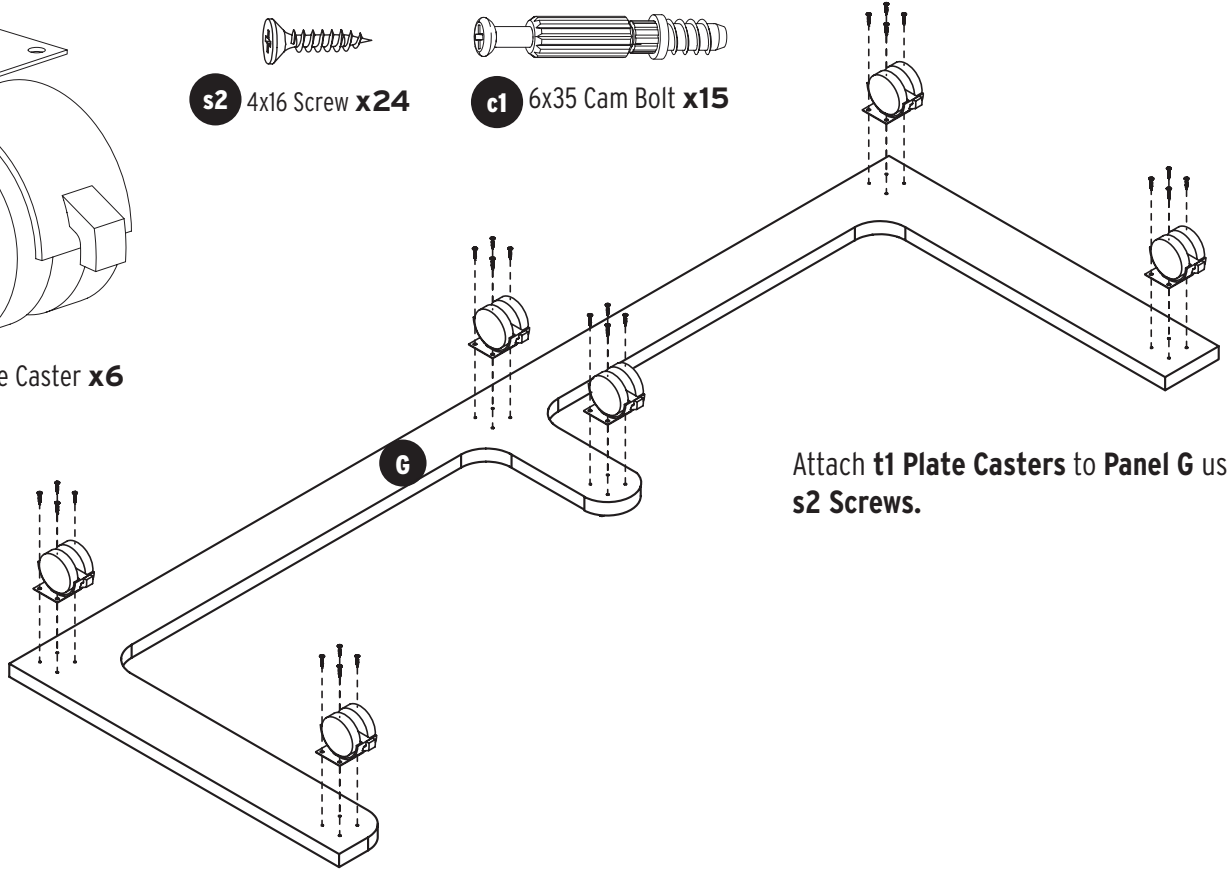
**t1** Plate Caster **x6**



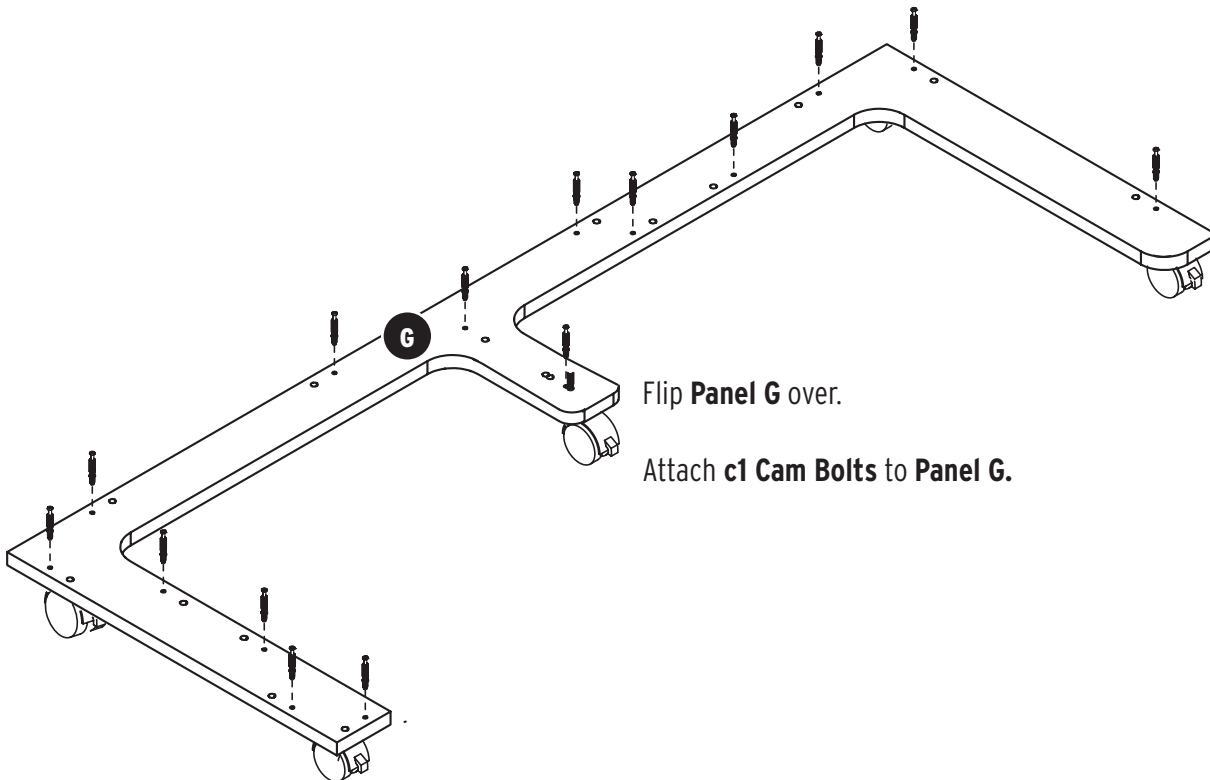
**s2** 4x16 Screw **x24**



**c1** 6x35 Cam Bolt **x15**



Attach **t1** Plate Casters to **Panel G** using **s2** Screws.



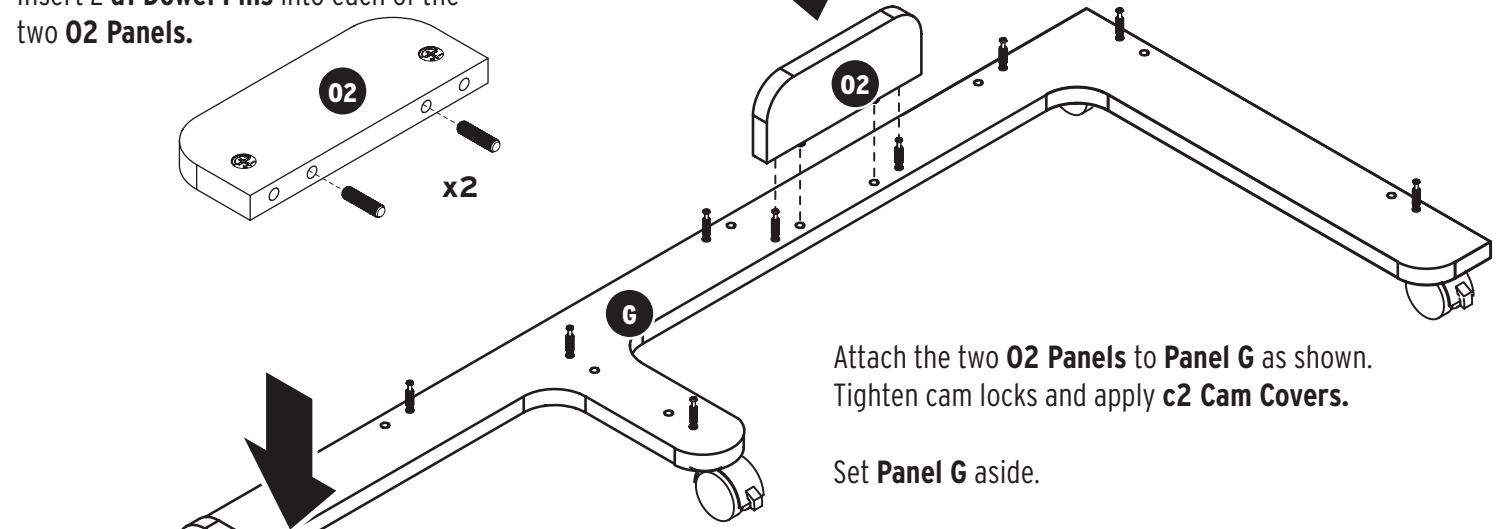
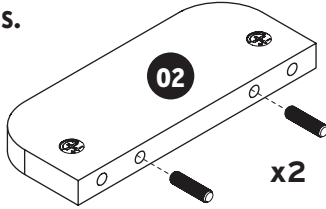
Flip **Panel G** over.

Attach **c1** Cam Bolts to **Panel G**.

# Step 1: Cabinet Shell

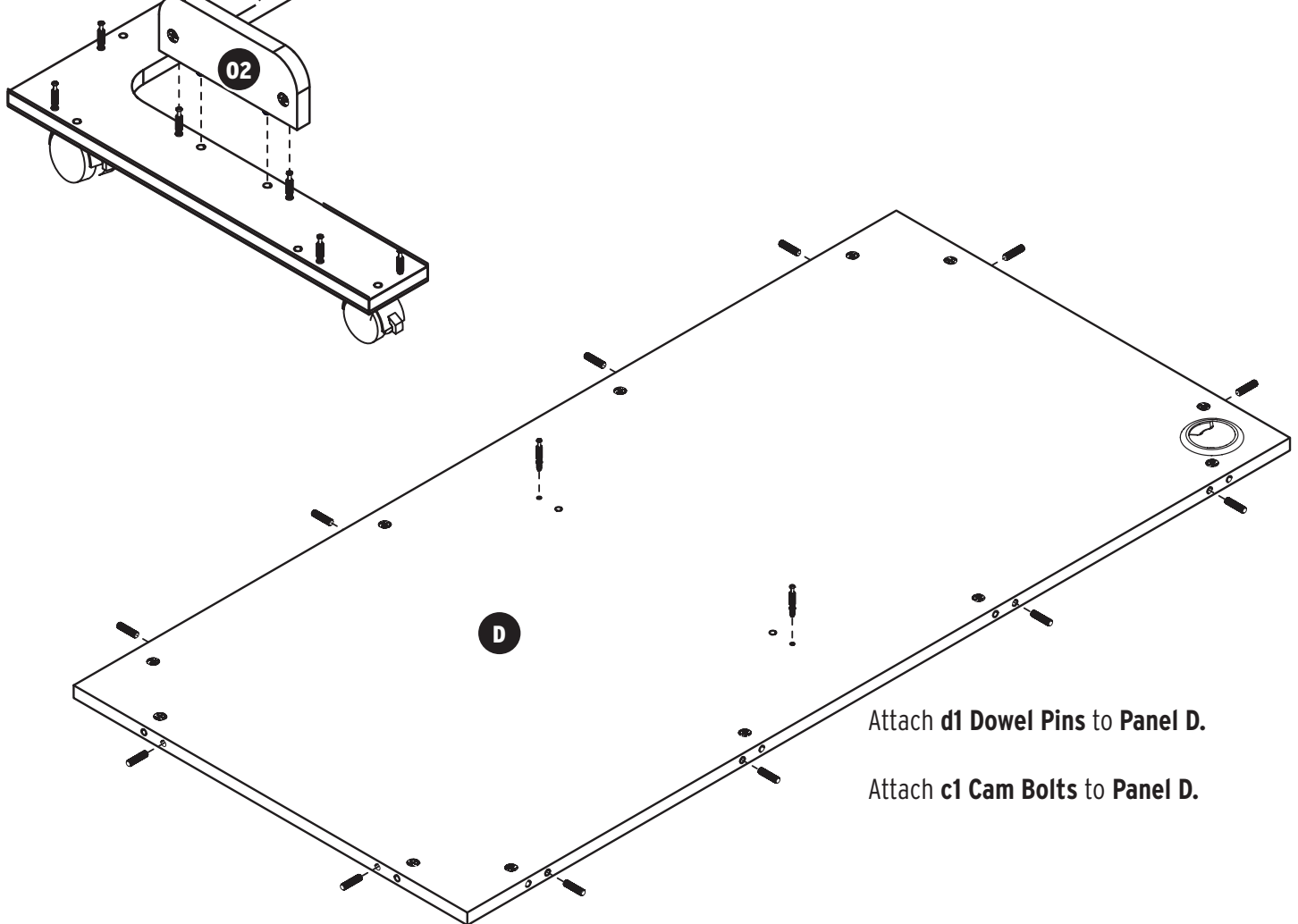
-  **d1** 8x30 Dowel Pin **x16**
-  **c2** 5/8" Cam Cover **x4**
-  **c1** 6x35 Cam Bolt **x2**

Insert 2 **d1** Dowel Pins into each of the two **02** Panels.



Attach the two **02** Panels to **Panel G** as shown. Tighten cam locks and apply **c2** Cam Covers.

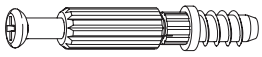
Set **Panel G** aside.



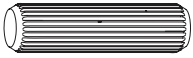
Attach **d1** Dowel Pins to **Panel D**.

Attach **c1** Cam Bolts to **Panel D**.

# Step 1: Cabinet Shell



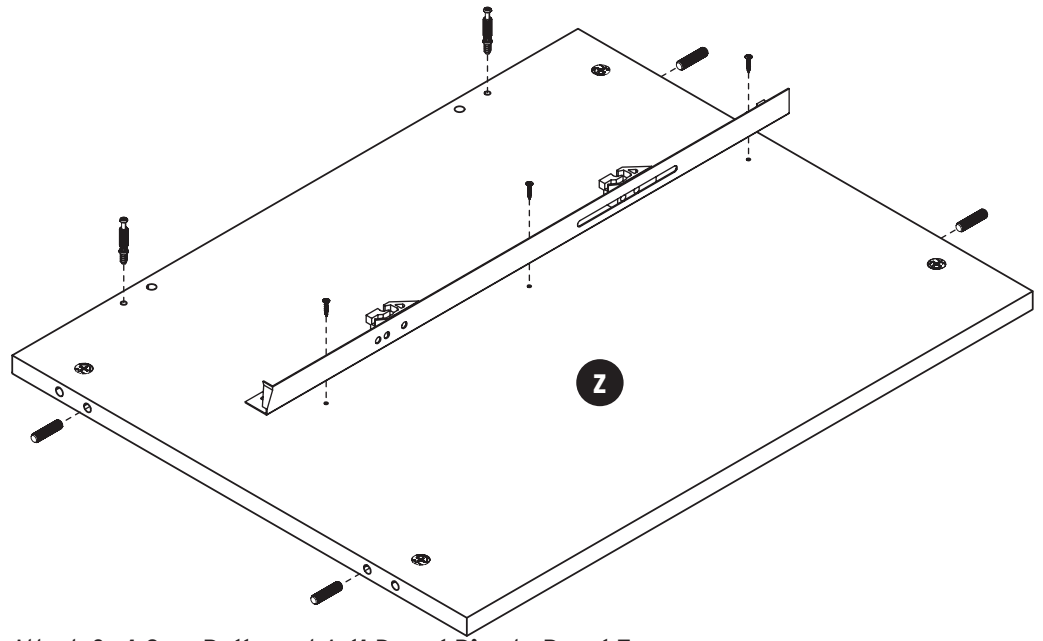
**c1** 6x35 Cam Bolt **x2**



**d1** 8x30 Dowel Pin **x10**



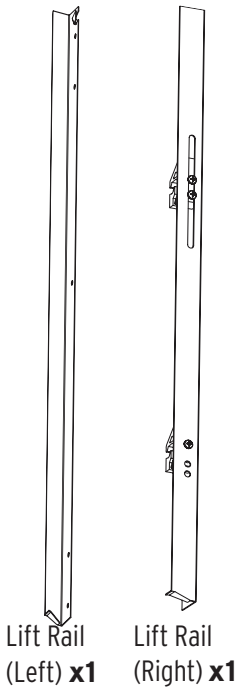
**s1** 3.5x16 Screw **x6**



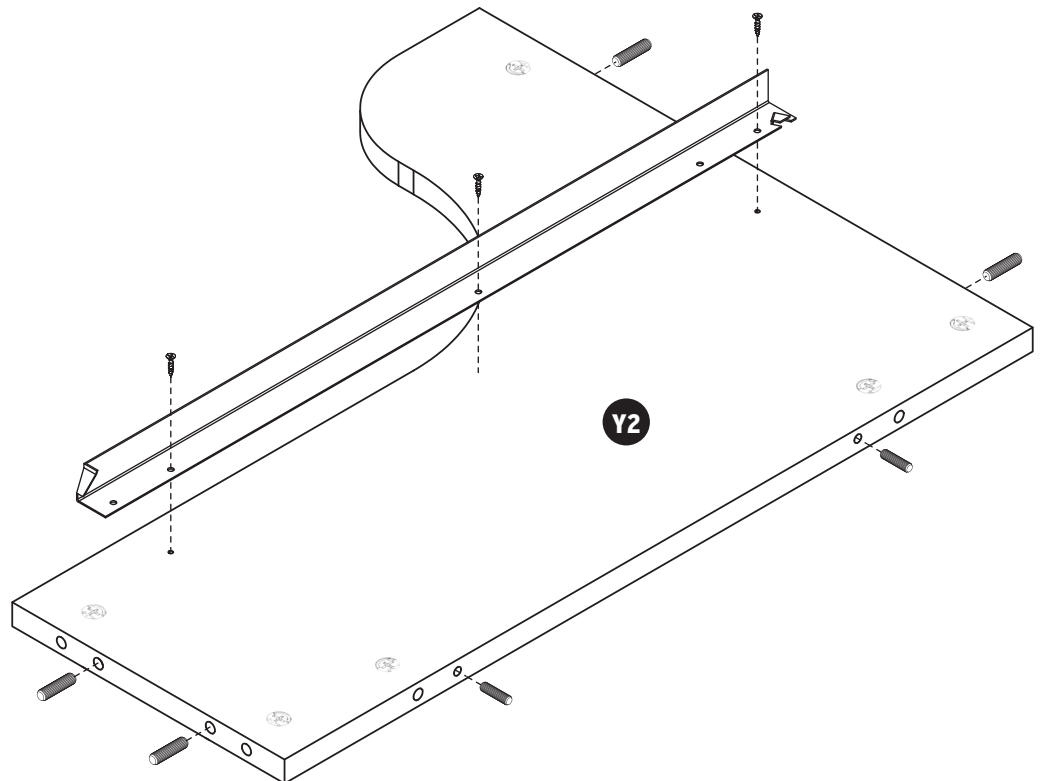
Attach 2 **c1 Cam Bolts** and 4 **d1 Dowel Pins** to **Panel Z**.

Attach **Lift Rail (Right)** to **Panel Z** using **s1 Screws**.

**NOTE:** There are two pre-drilled holes for the lift rail: top and bottom. Affix these screws first, and then add a third screw in the center of the lift rail.



**TIP:** Spray a small amount of WD-40 or similar lubricant onto a paper towel and wipe the newly installed rails. This will make lift installation and operation easier.



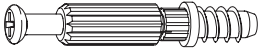
Attach 6 **d1 Dowel Pins** to **Panel Y2**.

**NOTE:** Cam locks on the opposite side of the panel are shown above. Be careful not to insert dowels into cam holes.

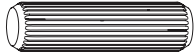
Attach **Lift Rail (Left)** to **Panel Y2** using **s1 Screws**.

**NOTE:** There are two pre-drilled holes for the lift rail: top and bottom. Affix these screws first, and then add a third screw in the center of the lift rail.

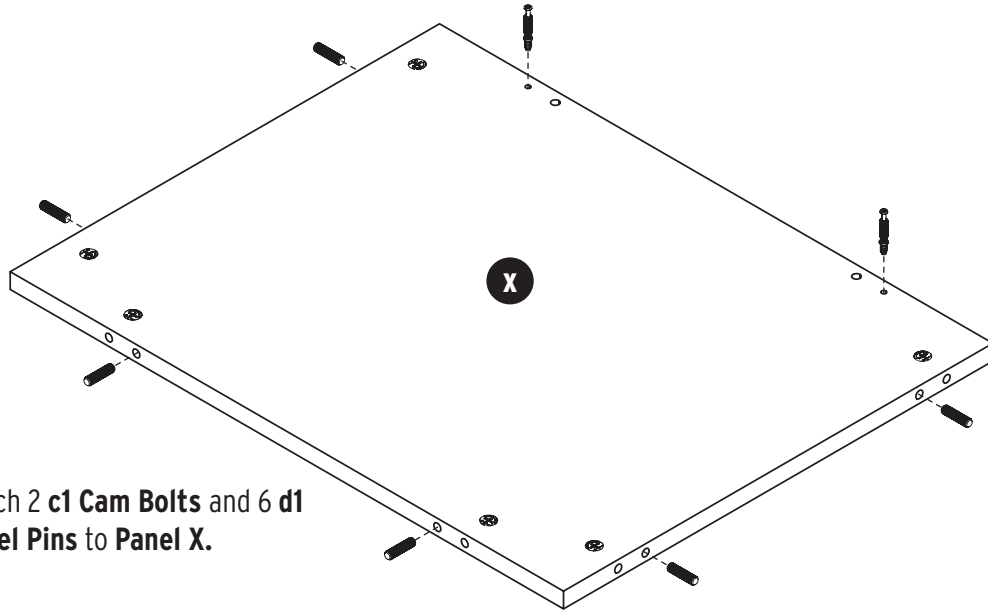
# Step 1: Cabinet Shell



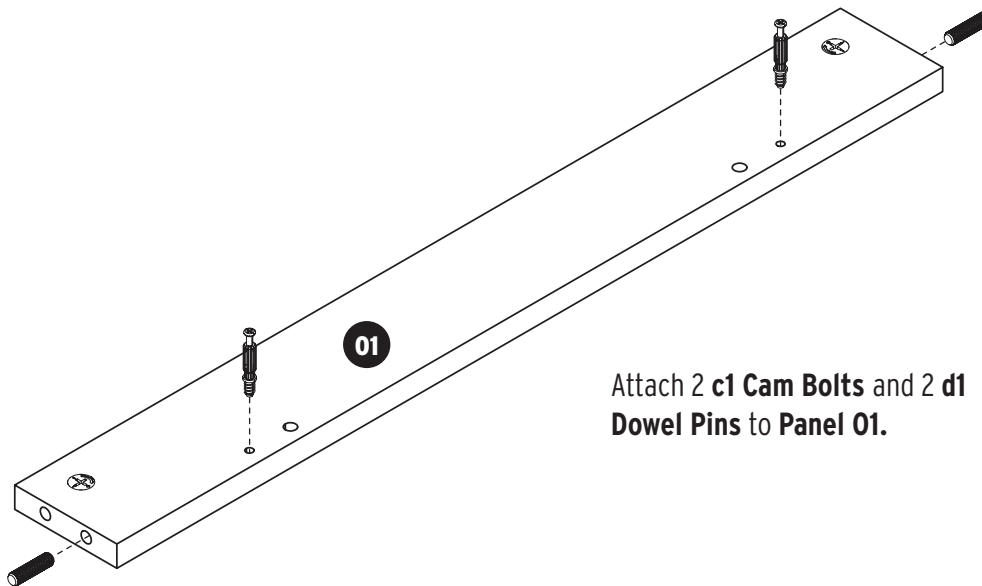
**c1** 6x35 Cam Bolt **x4**



**d1** 8x30 Dowel Pin **x8**



Attach 2 **c1** Cam Bolts and 6 **d1** Dowel Pins to Panel X.

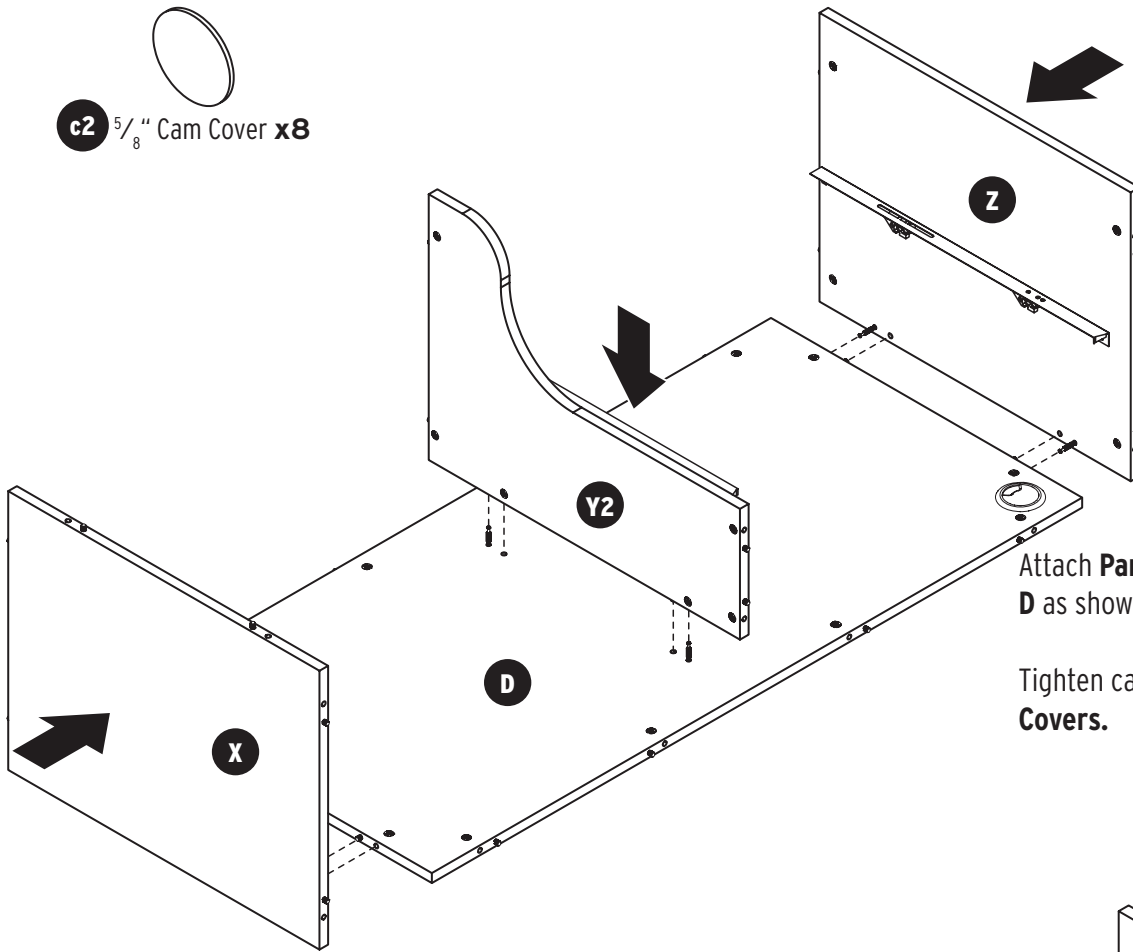


Attach 2 **c1** Cam Bolts and 2 **d1** Dowel Pins to Panel 01.



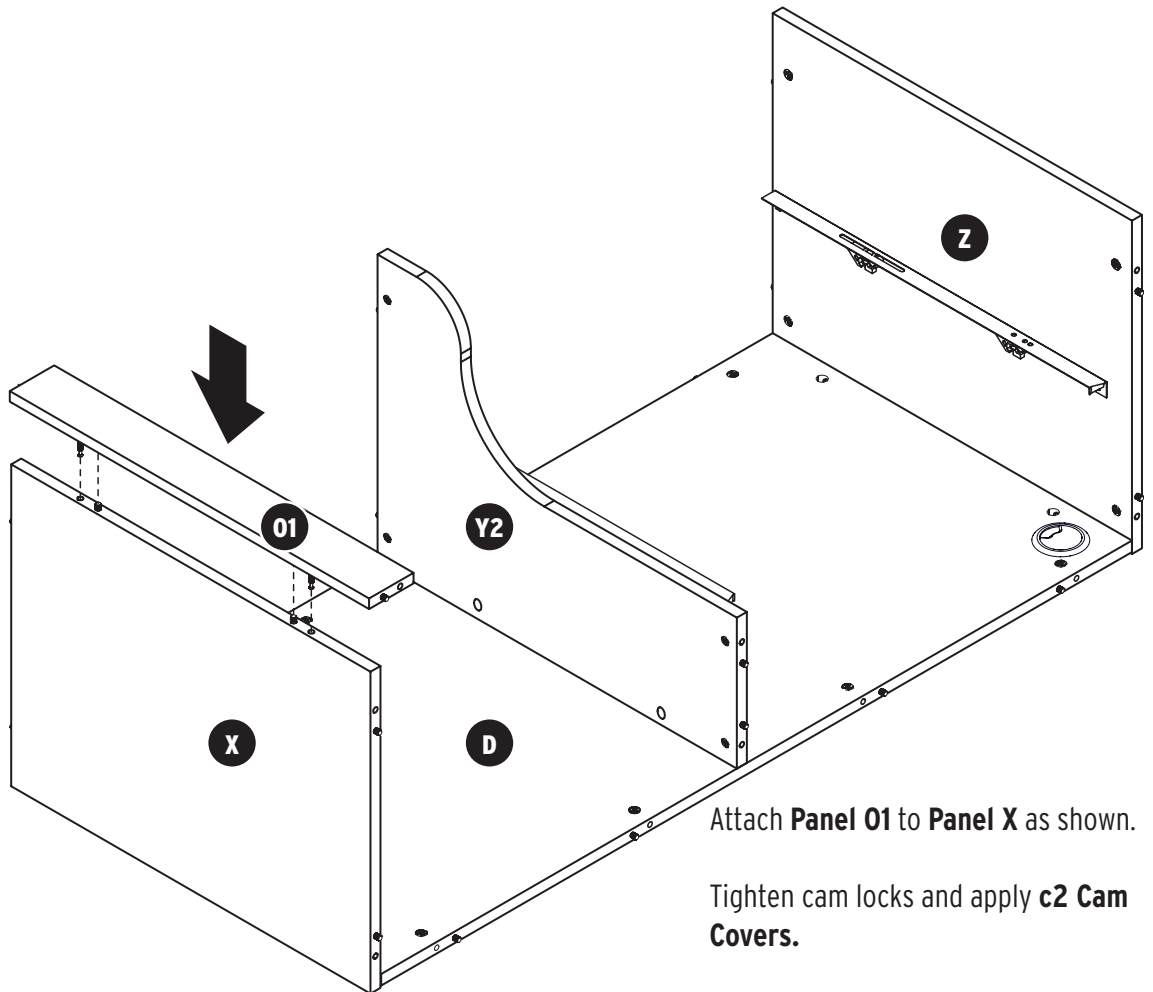
# Step 1: Cabinet Shell

  
**c2**  $\frac{5}{8}$ " Cam Cover x8



Attach **Panels X, Y2 and Z** to **Panel D** as shown.

Tighten cam locks and apply **c2 Cam Covers**.



Attach **Panel O1** to **Panel X** as shown.

Tighten cam locks and apply **c2 Cam Covers**.

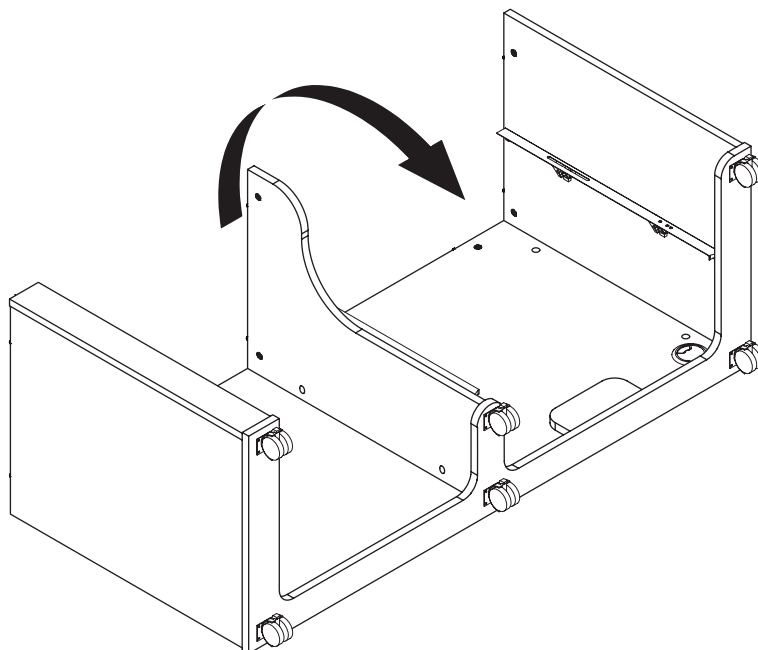
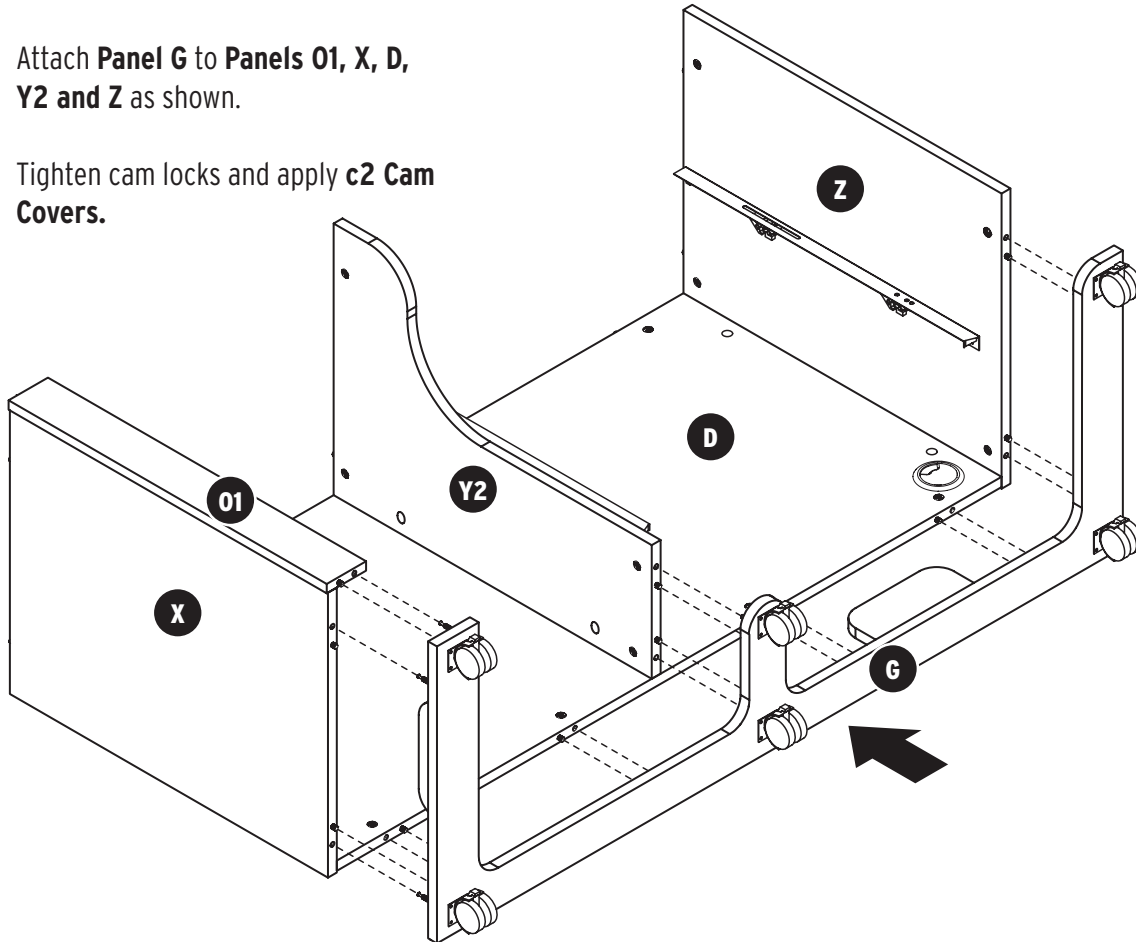
## Step 2: Attaching the Base



**c2**  $\frac{5}{8}$ " Cam Cover **x11**

Attach **Panel G** to **Panels O1, X, D, Y2 and Z** as shown.

Tighten cam locks and apply **c2 Cam Covers**.

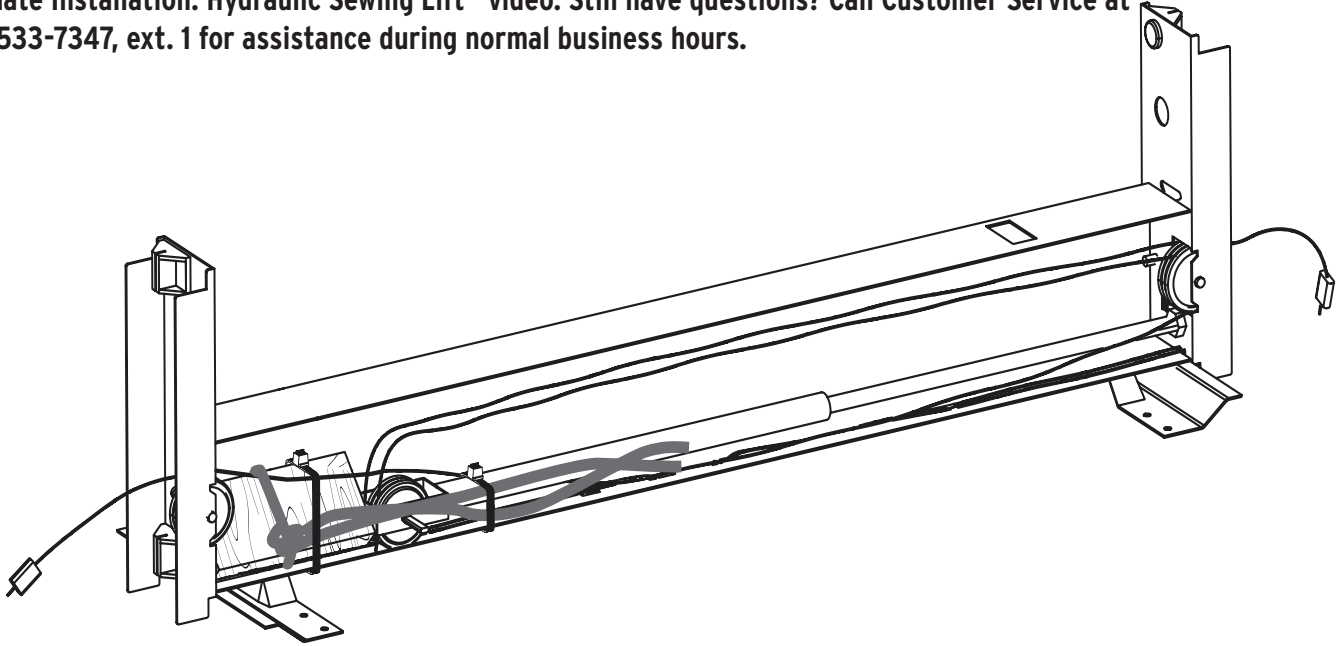


Make sure casters are locked and flip cabinet up onto its wheels. You may need a friend to help you, but it is not required.

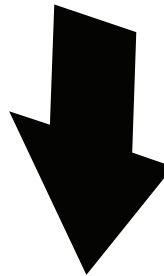
# Step 3: Lift

## LIFT INSTALLATION WARNING:

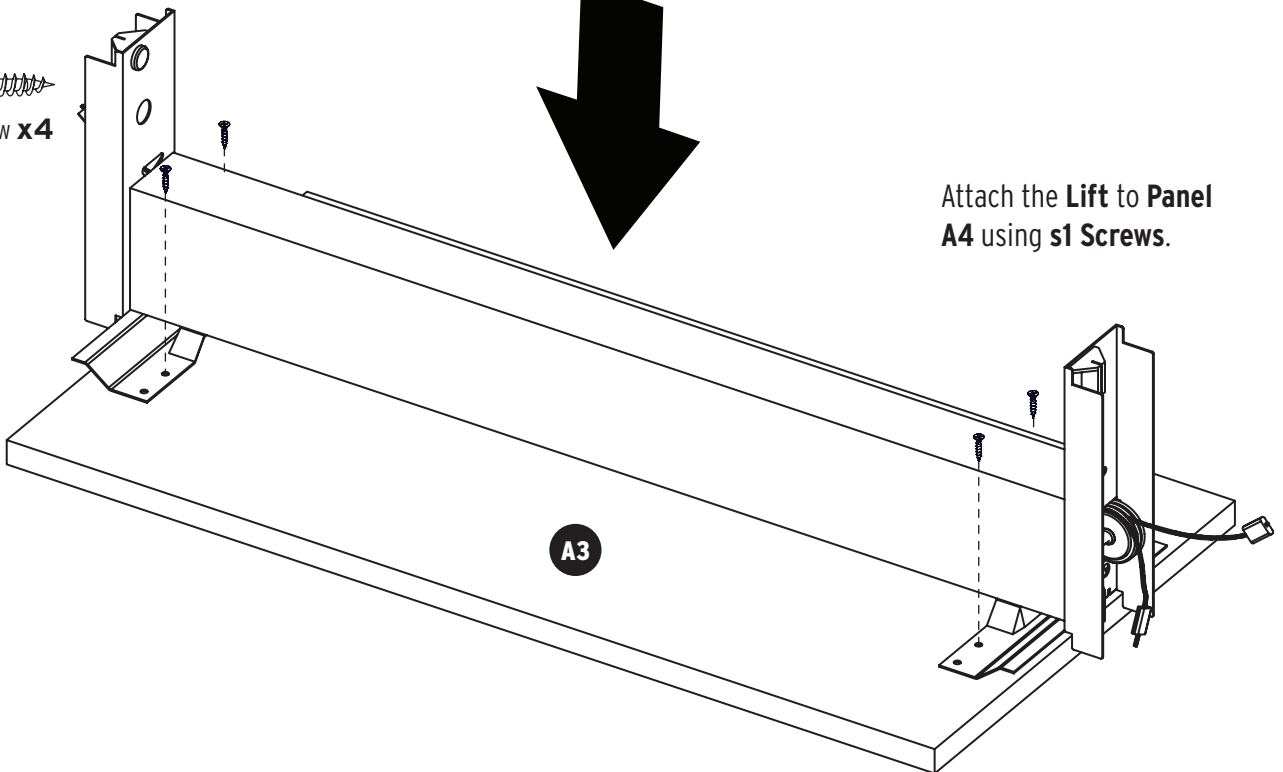
DO NOT remove the small wooden block from the Lift until assembly is complete. If the block is removed or falls out before lift assembly is complete, the cables will retract, making installation more difficult. If the block falls out before complete assembly, please visit [www.arrowsewing.com/assembly](http://www.arrowsewing.com/assembly) and find the "Alternate Installation: Hydraulic Sewing Lift" video. Still have questions? Call Customer Service at 1-800-533-7347, ext. 1 for assistance during normal business hours.



**s1**   
3.5x16 Screw **x4**



Attach the **Lift** to **Panel A4** using **s1** Screws.



## Step 3: Lift

Guide **Lift** onto **Lift Rails** using plastic guides.

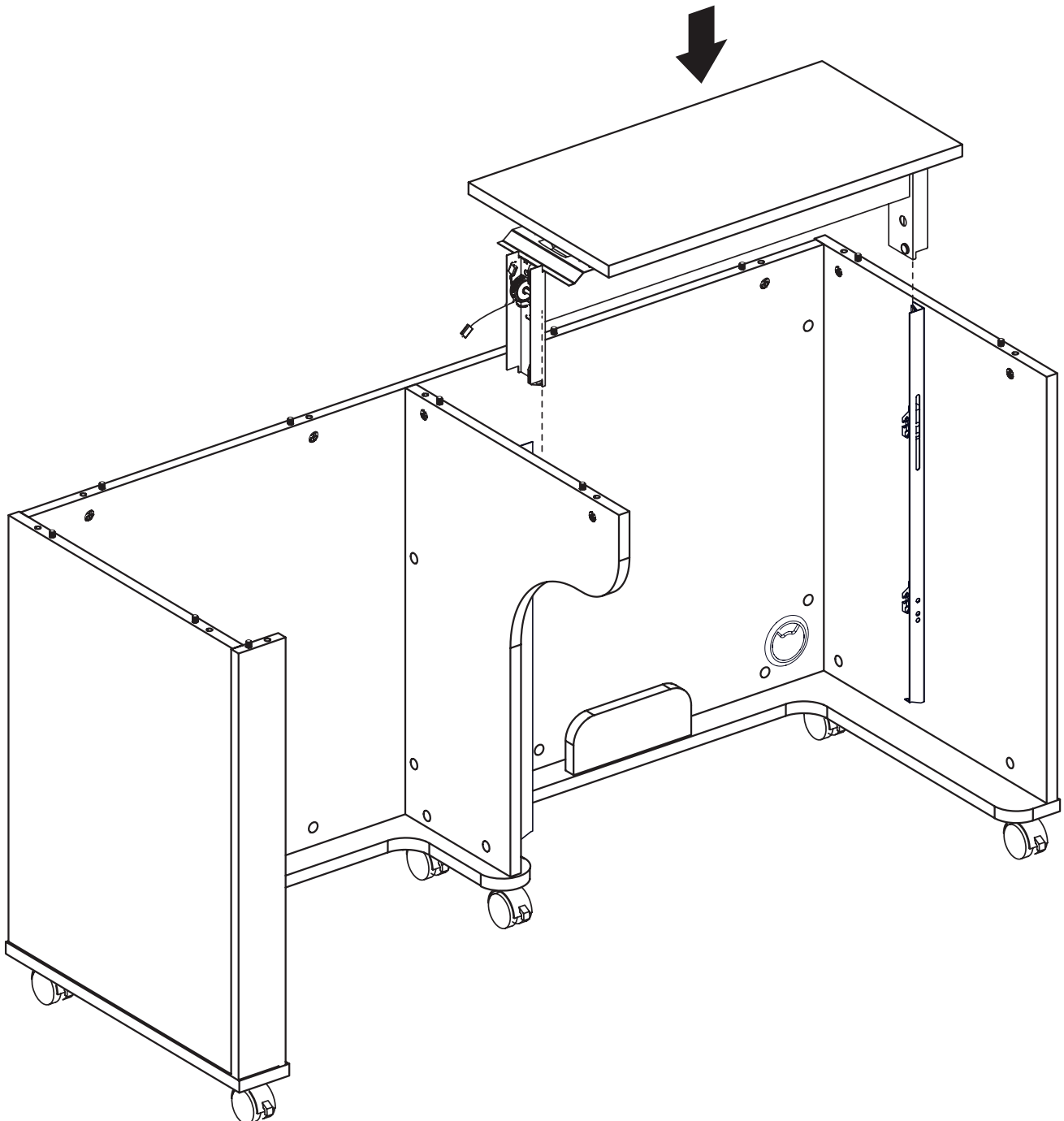
Insert ends of cable into rail tabs; make sure the cable is hooked into the rail tabs on both sides.

**NOTE: See Page 13 for close-up illustrations of Lift Panel assembly.**

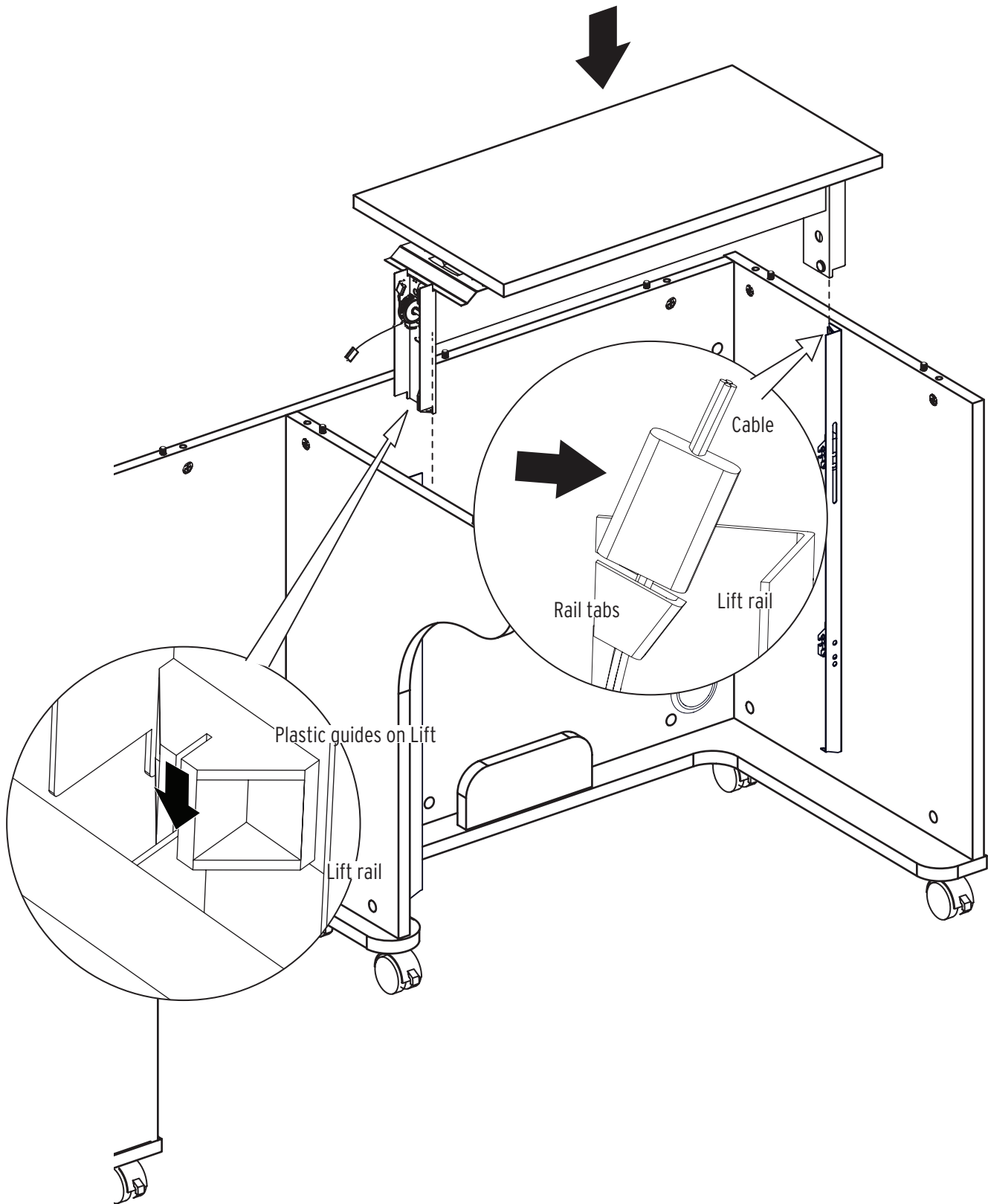
Cut the zip tie on the wooden block, but DO NOT remove the block yet.

Lower the **Lift** to first lock position and remove the wooden block.

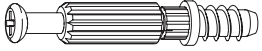
**DO NOT ADJUST LIFT POSITION until the top is installed**, or you risk the Lift coming out and cables becoming disengaged.



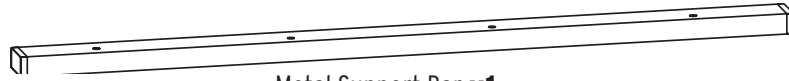
# Step 3: Lift



# Step 4: Attaching the Top



**c1** 6x35 Cam Bolt **x11**



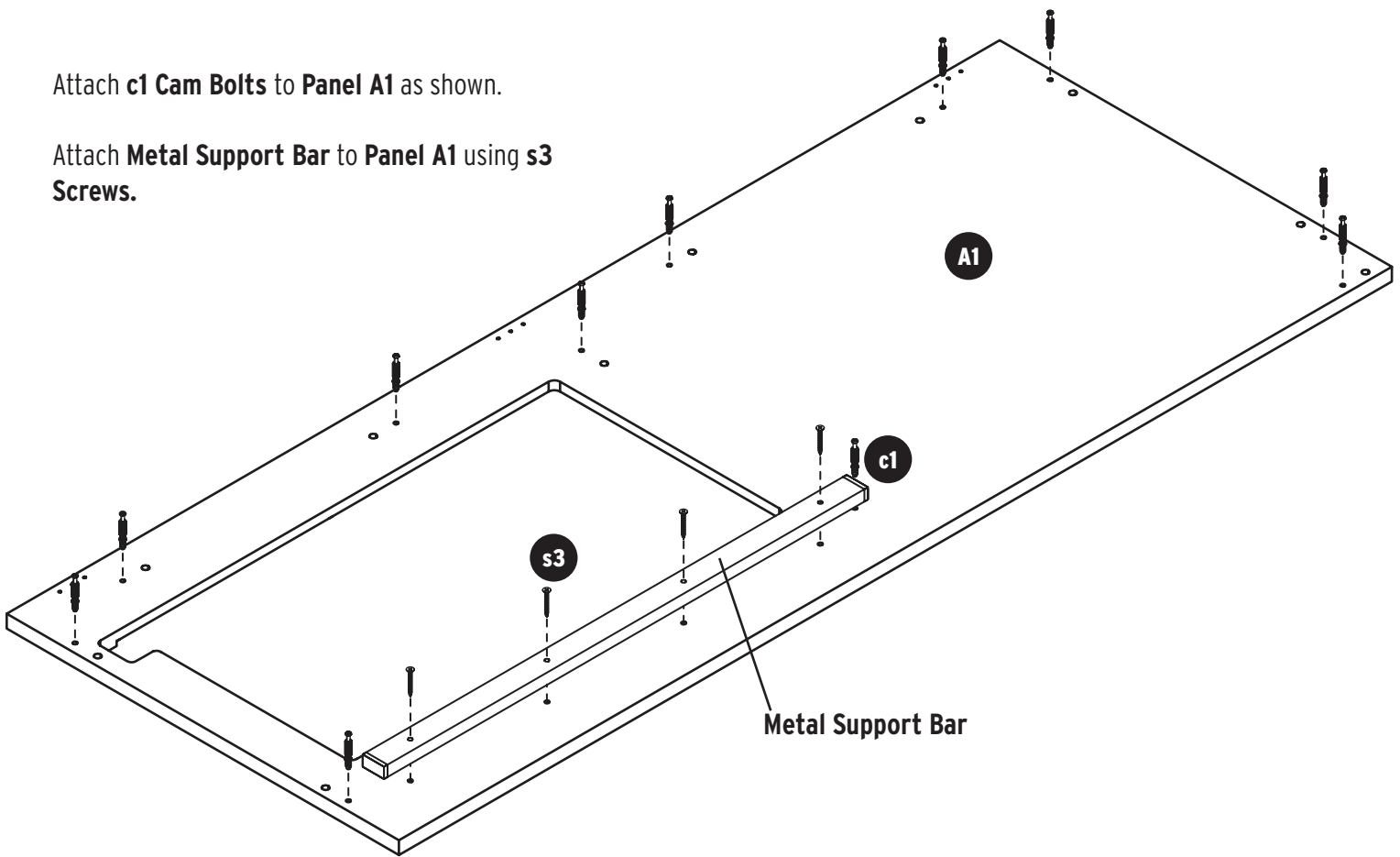
Metal Support Bar **x1**



**s3** 3x30 Screw **x4**

Attach **c1** Cam Bolts to **Panel A1** as shown.

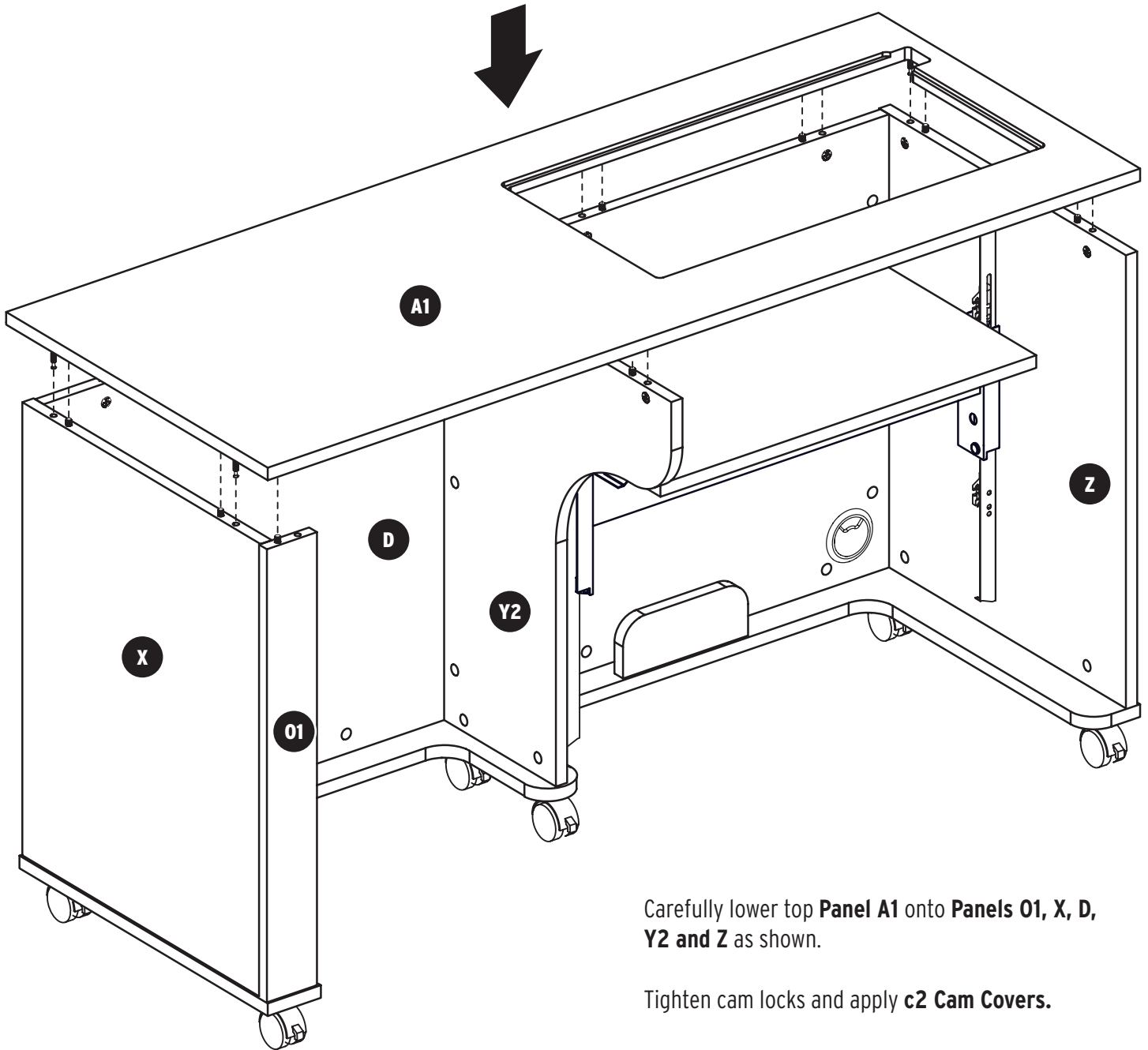
Attach **Metal Support Bar** to **Panel A1** using **s3** Screws.



## Step 4: Attaching the Top



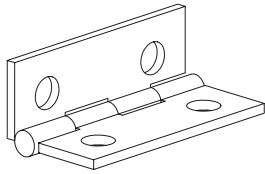
**c2**  $\frac{5}{8}$ " Cam Cover **x11**



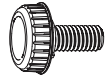
Carefully lower top **Panel A1** onto **Panels 01, X, D, Y2 and Z** as shown.

Tighten cam locks and apply **c2 Cam Covers**.

# Step 5: Gate Legs and Quilt Panel



**h2** Hinge **x4**



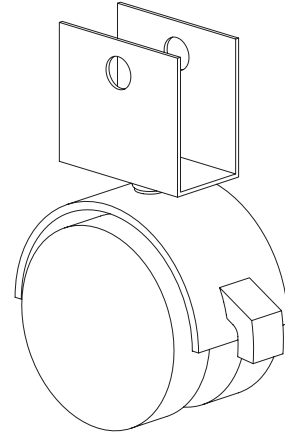
**a** Alignment Pin **x2**



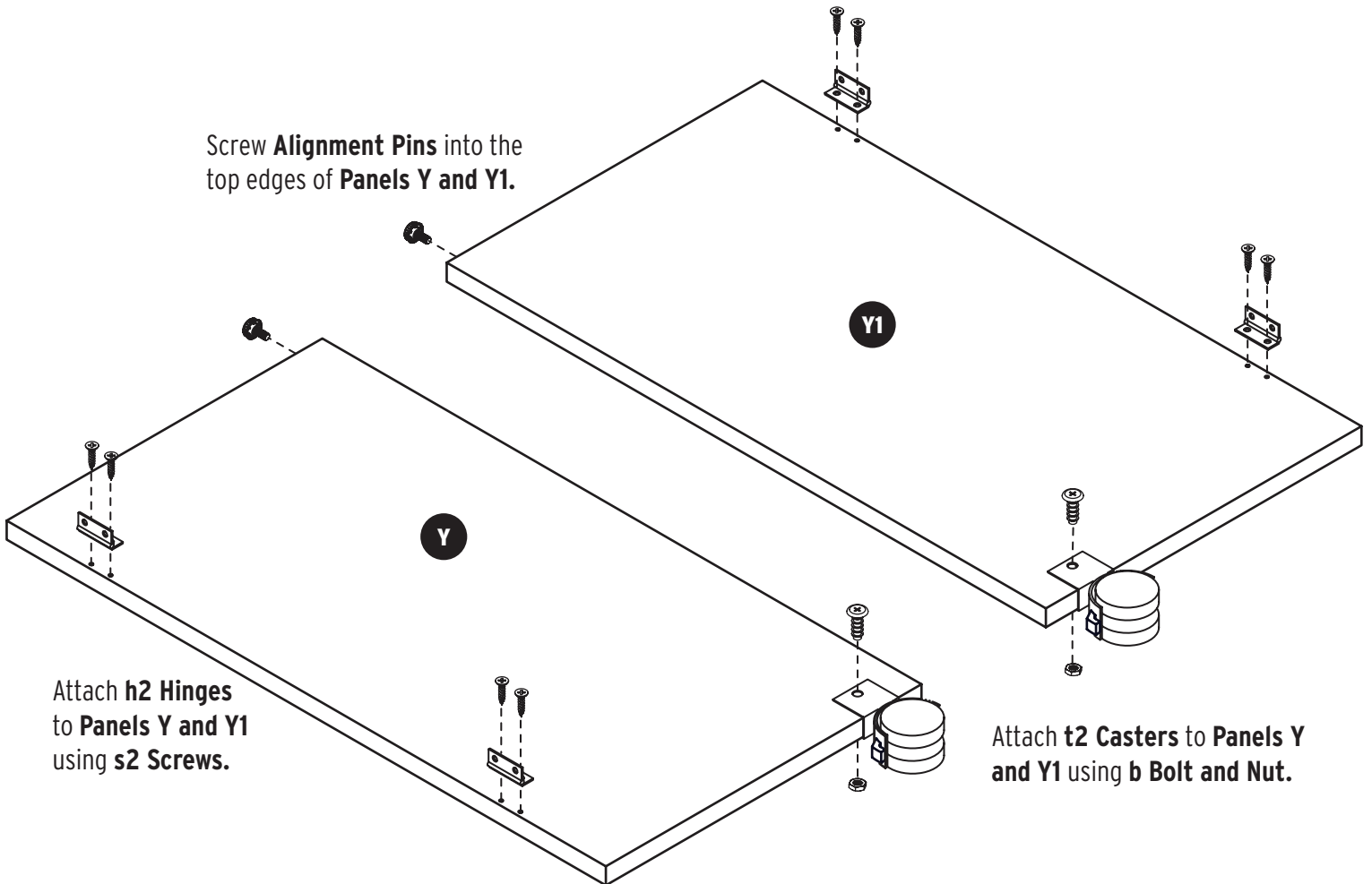
**b** 6x25 Bolt and nut **x2**



**s2** 4x16 Screw **x8**



**t2** Caster **x2**

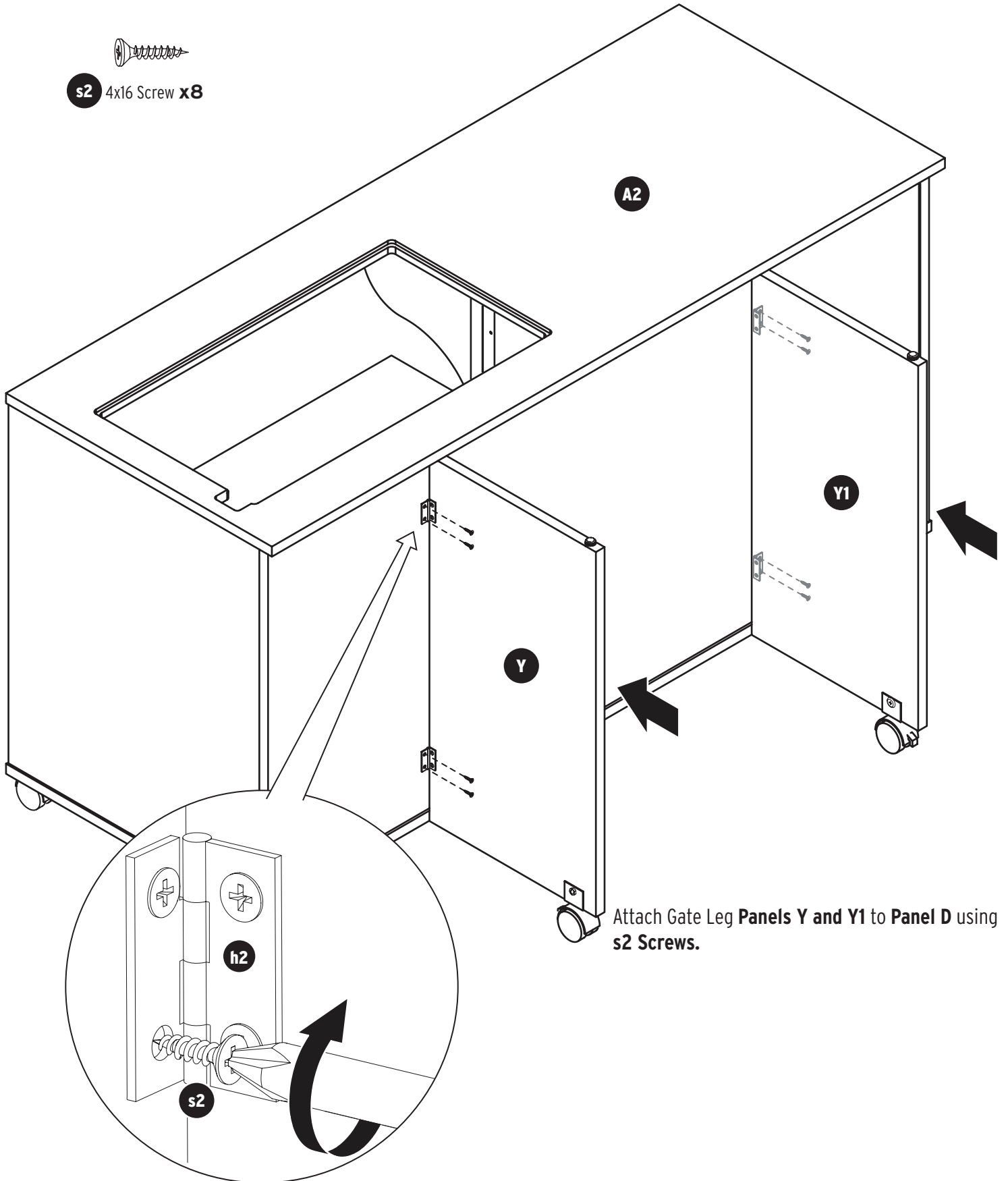




# Step 5: Gate Legs and Quilt Panel



**s2** 4x16 Screw **x8**

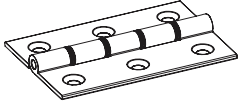


Attach Gate Leg **Panels Y and Y1** to **Panel D** using **s2** Screws.

# Step 5: Gate Legs and Quilt Panel

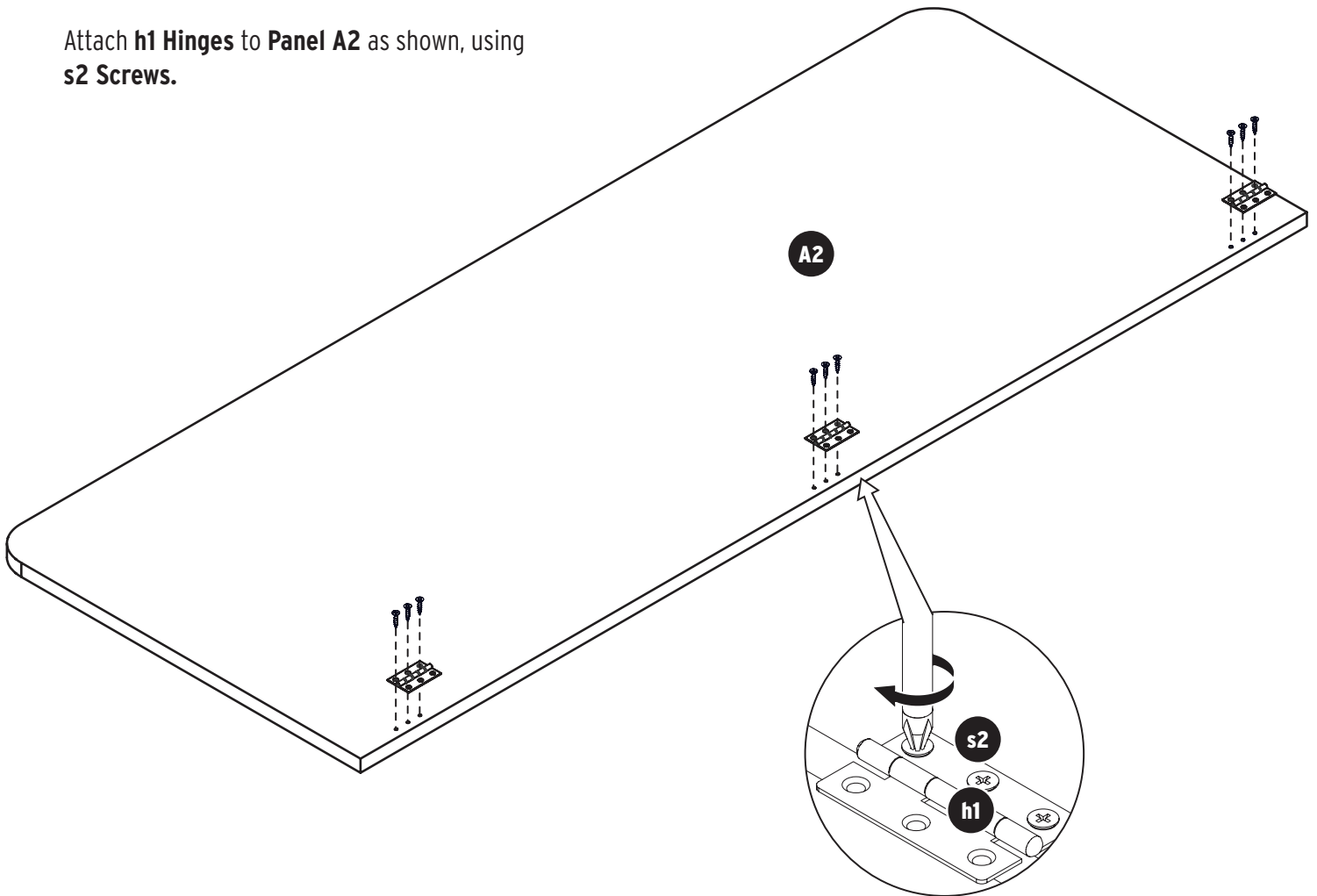


**s2** 4x16 Screw **x9**



**h1** Hinge **x3**

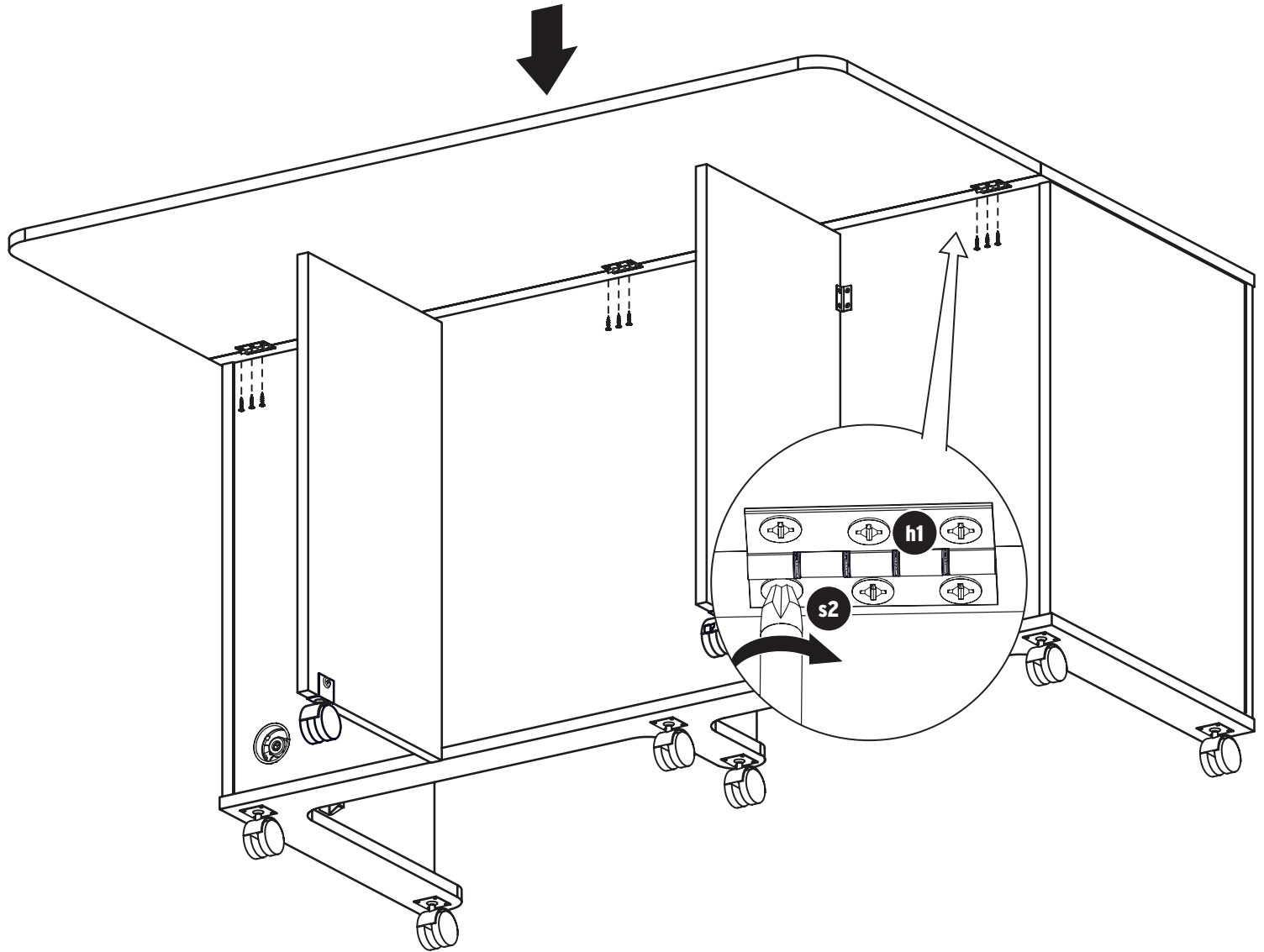
Attach **h1 Hinges** to **Panel A2** as shown, using **s2 Screws**.



# Gate Legs and Quilt Panel

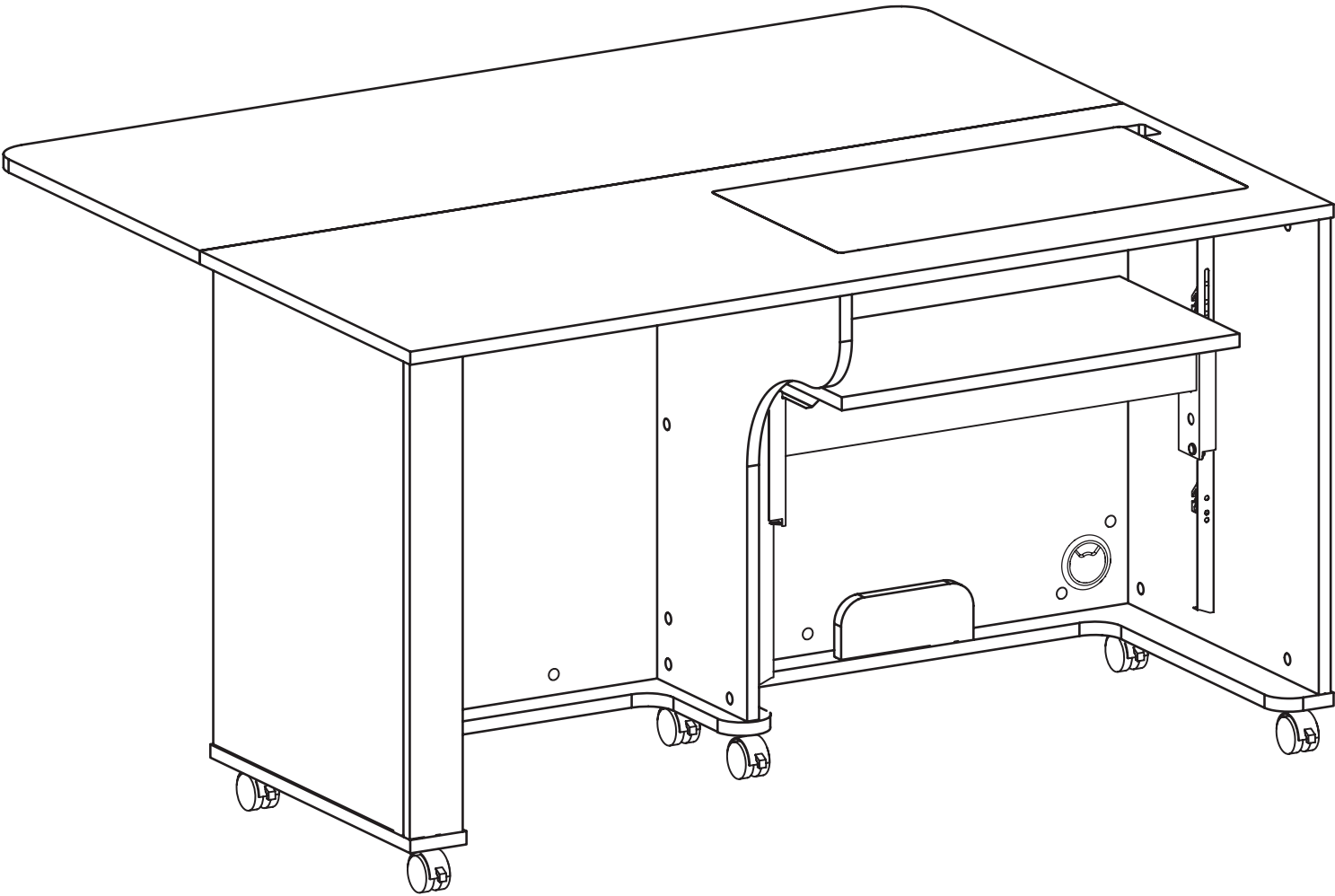


**s2** 4x16 Screw **x9**



Extend Gate Leg **Panels Y and Y1**. Balance **Panel A2** on gate legs and attach **h1 Hinges** to **Panel A1** using **s2 Screws**.

# Completed Laverne Sewing Cabinet



**Congratulations! A better sewing experience awaits!**



# LIMITED WARRANTY

## Arrow Classic Sewing Furniture 10-Year Warranty

**WHAT THIS WARRANTY COVERS:** Arrow Companies, LLC (Arrow) provides limited warranty coverage to the original purchaser of this product against defects in materials or workmanship of Arrow furniture components for a period of ten years from the date of purchase. As used in this Warranty, "defect" means imperfections in components which substantially impair the utility of the product. This Warranty gives you specific legal rights, and you may also have other rights which vary from state to state.

**HOW TO GET SERVICE:** Simply contact Arrow at 1-800-533-7347 or CS@ArrowSewing.com. When you request warranty service, you must also present proof of purchase documentation, which includes the date of purchase (detailed receipt), and photos of the product. Arrow will replace any defective part (at its sole option), excluding labor. Replacement parts will be warranted for only the remaining period of the original Warranty.

Replacement parts will be shipped freight prepaid on any initial warranty claim during first year of Warranty only. Warranty applies only to defects confirmed by Arrow Companies, LLC and will be replaced or repaired at Arrow's option. In the event parts are no longer available for a warranty claim, customer may receive brand new cabinet at a price equal to 60% off the MSRP of a current comparable model.

**WHAT'S NOT COVERED:** There is no Warranty coverage for defects or conditions that result from the following: Failure to follow product assembly instructions, information or warnings; misuse or abuse; intentional damage; fire, flood, alteration or modification of the product; use of the product in a manner inconsistent with its intended use; any condition resulting from incorrect or inadequate maintenance, cleaning, care or neglect; cuts or scratches; caster damage as a result of moving furniture fully loaded or with locked casters; damage resulting from electrical surge or lightning; or use in commercial or education environments. Arrow Sewing Furniture is designed for residential use only.

ARROW SHALL HAVE NO LIABILITY for ANY INCIDENTAL OR CONSEQUENTIAL DAMAGES OF ANY KIND and all such damages are EXCLUDED FROM THIS WARRANTY, such as loss of use, disassembly, transportation, labor or damage to property on or near the product. Some states do not allow the exclusion or limitation of incidental or consequential damages, so the above limitation or exclusion may not apply to you. The Warranty cannot be transferred to subsequent owners or users of the product, and it shall be immediately void in the event the product is resold, transferred, leased or rented to any third party or person other than the original purchaser.

**ADDITIONAL LIMITATIONS:** THERE ARE NO OTHER WARRANTIES APPLICABLE TO THIS PRODUCT. Under the laws of certain states, there may be no implied warranties from Arrow and all implied warranties, INCLUDING ANY IMPLIED WARRANTY OF MERCHANTABILITY OR FITNESS FOR A PARTICULAR PURPOSE are disclaimed where allowed by law. TO THE EXTENT ANY IMPLIED WARRANTIES ARE APPLICABLE, ANY IMPLIED WARRANTIES, INCLUDING ANY IMPLIED WARRANTY OF MERCHANTABILITY OR FITNESS FOR A PARTICULAR PURPOSE, ARE LIMITED IN DURATION TO THE DURATION OF THIS EXPRESS WARRANTY or the minimum period allowed by law, whichever is shorter. Some states do not allow limitations on how long an implied Warranty lasts, so the above limitation may not apply to you. This limited warranty gives you specific legal rights. This limited warranty does not, in any way, affect the rights given to you by law.

**REGISTER YOUR PRODUCT:** Original purchaser should register the purchase online at [www.ArrowSewing.com/warranty](http://www.ArrowSewing.com/warranty).

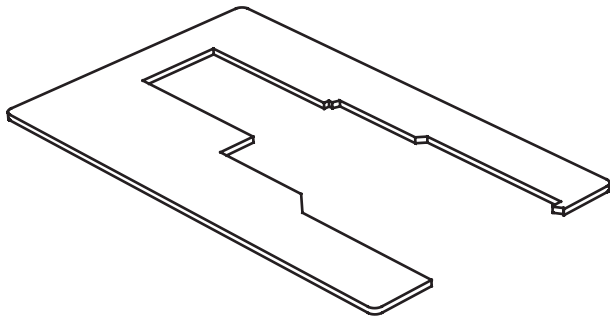


# COMPLETE YOUR SEWING STUDIO!

Elevate your sewing experience with Arrow's **Best-Selling** Accessories!

## Custom Sewing Inserts

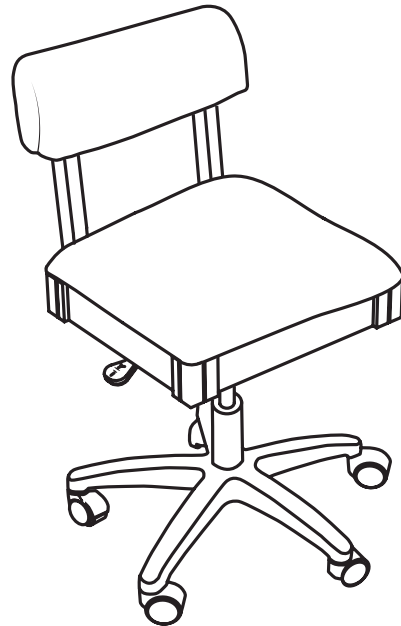
Enhance your sewing experience with a custom acrylic sewing insert! Custom acrylic sewing inserts are designed to fill the gap between your sewing machine and sewing cabinet's lift opening to create a flush, ergonomic surface for flat bed sewing. To ensure a perfect fit, custom acrylic sewing inserts are built specifically for your sewing machine and sewing cabinet combination. Say hello to happy wrists, straighter stitches, and an elevated sewing experience!



Custom Sewing Insert

## Sewing Chairs

Arrow's #1 Rated Height Adjustable Sewing Chair is a must have accessory for your dream sewing room! Cute, comfortable and convenient - our lovable sewing chairs feature vibrant sewing themed patterns, 360° swivel access and lumbar support for long hours at your workstation. Don't look now, but under every seat cushion is a hidden storage compartment to store your notions and patterns! Available in 10 colors to perfectly match your sewing sanctuary!



Height Adjustable Sewing Chair



P.O BOX 410 Elkhorn, WI 53121  
1-800-533-7347 Ext. 1  
cs@arrowsewing.com  
arrowsewing.com