

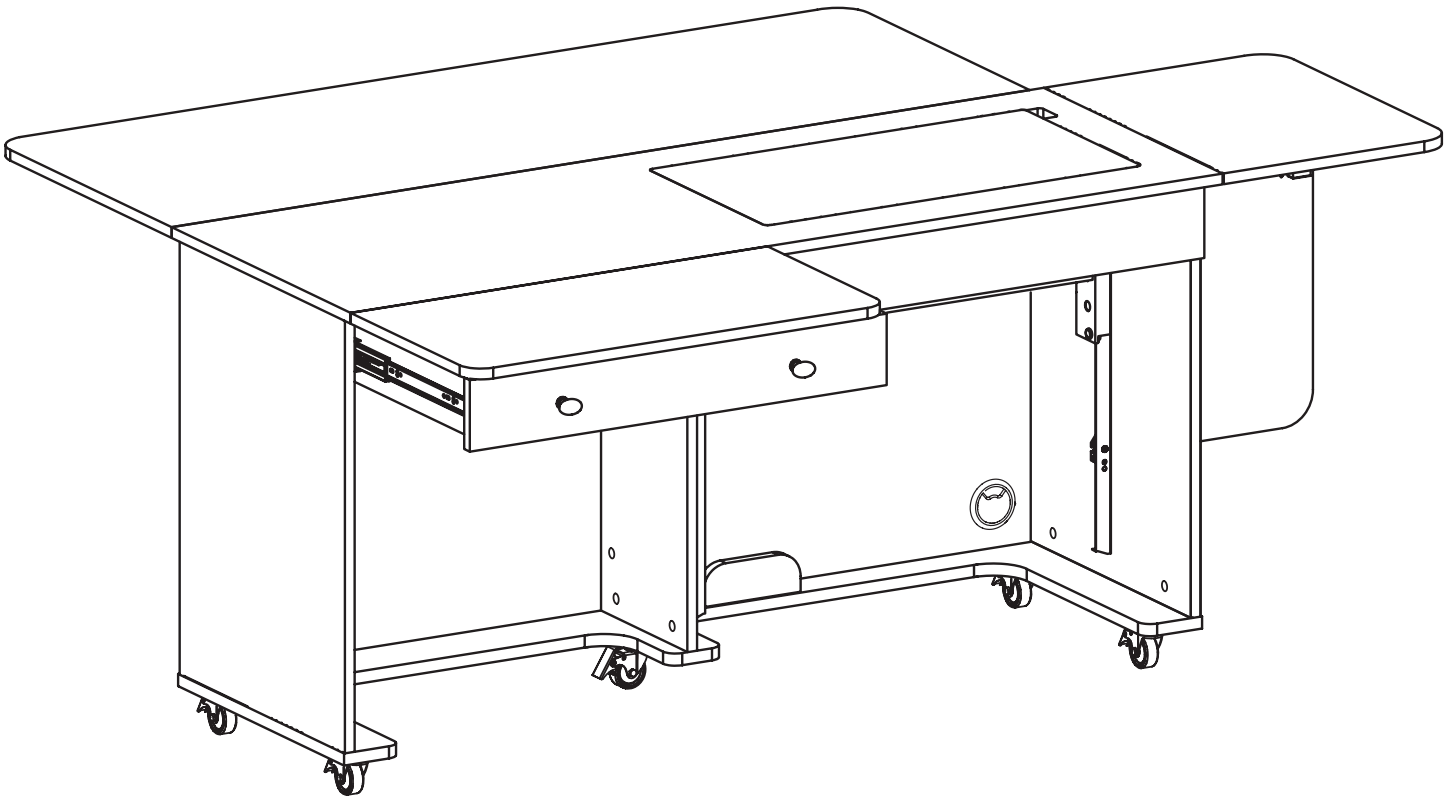


KANGAROO[™]
sewing furniture

ASSEMBLY INSTRUCTIONS

Kangaroo

ITEM NO.: K8805 Teak
K8807 Gray
K8811 Ash White




General Assembly Guidelines

1. Read the instructions carefully before beginning the assembly process to ensure proper assembly of this product. Please open and inspect the contents of box(es) to see that all parts and hardware are included.

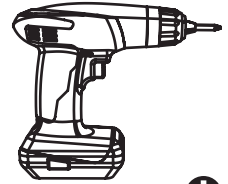
2. Tools Required



Phillips Screwdriver 

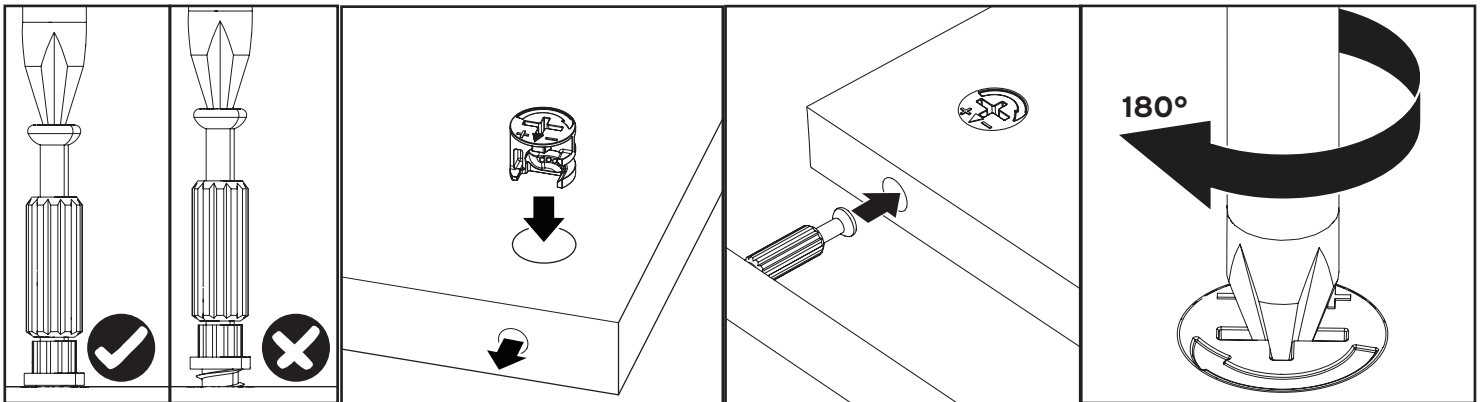


Hammer



Electric Screwdriver 
Torque set to 3-5

3. Understanding How the Cam Fastener Works



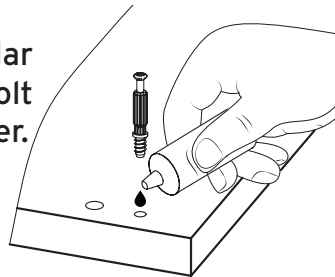
Screw cam bolts flush as illustrated.

Press cam into hole until flush with surface. The arrow direction must be in the direction of the hole.

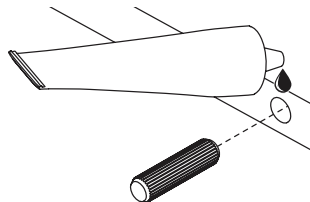
Insert bolt through pre-drilled hole in edge of panel.

Turn clockwise to lock cam with bolt.

Tip: place a small bit of WD-40 or similar lubricant into the pre-installed cam bolt holes to help the cam bolts screw in better.



4. **Glue** provided is to secure wood dowels in place and is optional. If glue is used during assembly, locate the appropriate hole for the dowel, place a small amount of glue in the hole and insert the dowel. Wipe away excess glue immediately. It is not necessary to glue the other end of the dowel when attaching to other parts.

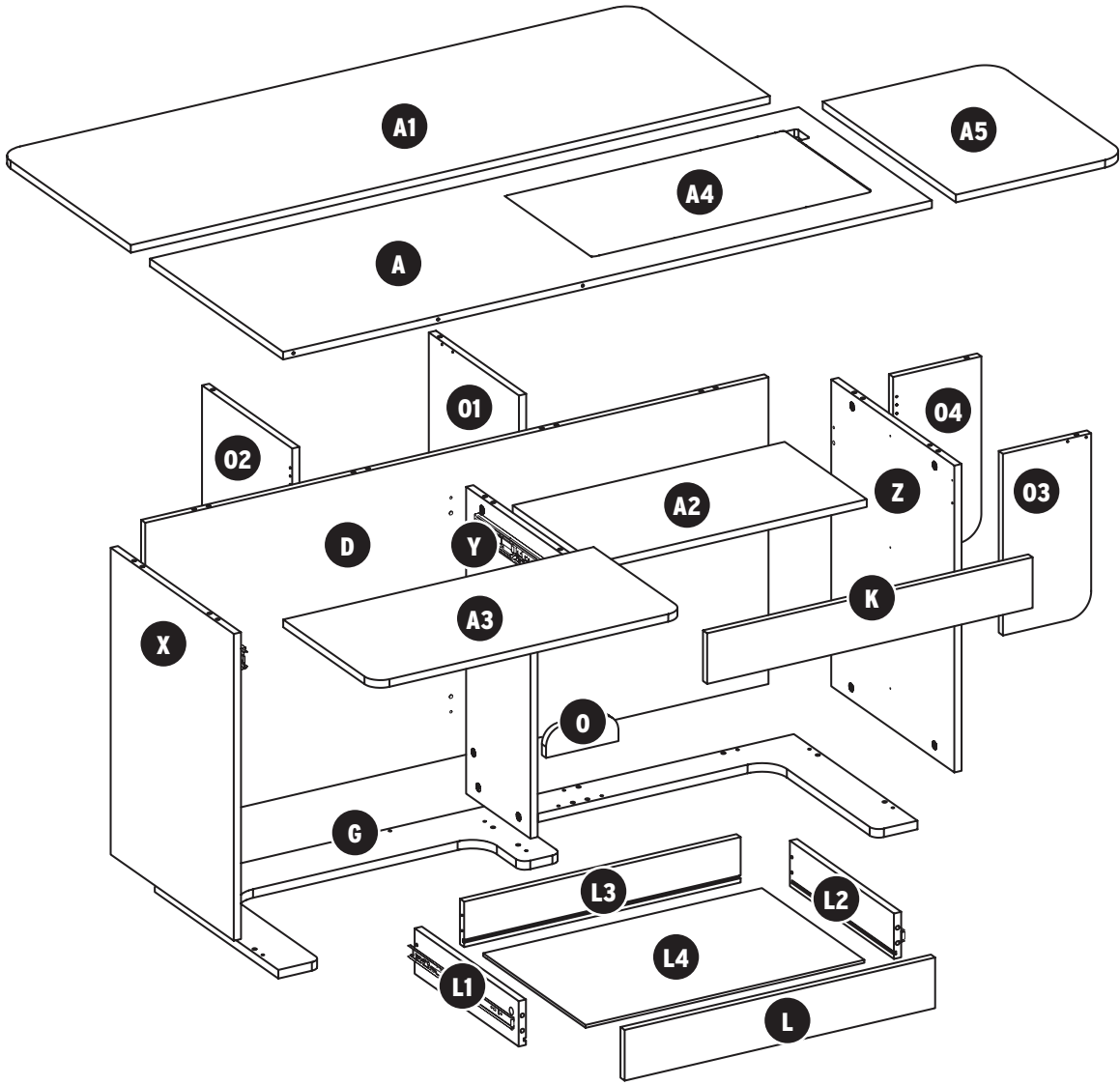


Use and Care Your cabinet normally requires a minimum amount of maintenance; however, the following points are worth noting:

Cleaning - To remove marks and enhance the surface, wipe with a gentle all-purpose cleanser. **DO NOT** use ammonia-based, harsh chemicals or abrasive cleaning agents. Wipe dry immediately.

Electrical and Hydraulic Lifts - Require annual lubrication with WD-40 or similar lubricant.

Parts List: Panels



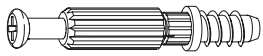
X	Left side panel	1	1 of 3
Z	Right side panel	1	1 of 3
Y	Partition	1	1 of 3
O	Insert Holder	1	1 of 3
01	Right Gate Leg	1	1 of 3
02	Left Gate Leg	1	1 of 3
K	False Drawer Front Panel	1	1 of 3
L	Drawer Front	1	1 of 3
L1	Left Drawer Side	1	1 of 3
L2	Right Drawer Side	1	1 of 3
L3	Drawer Back	1	1 of 3
L4	Drawer Bottom	1	1 of 3
A1	Quilt Extension Panel	1	2 of 3
A2	Platform	1	2 of 3

ITEM	DESCRIPTION	QTY.	PACK.
D	Back Panel	1	2 of 3
L	Drawer Front	1	2 of 3
A	Top Panel		3 of 3
A3	Drawer Cover Panel	1	2 of 3
A4	Platform Cover	1	3 of 3
G	Bottom Panel	1	3 of 3
A5	Right Leaf Panel	1	3 of 3
03	Front Right Leaf Support Panel	1	3 of 3
04	Rear Right Leaf Support Panel	1	3 of 3
	Parts Box	1	1 of 3

ITEM	DESCRIPTION	QTY.	PACK
------	-------------	------	------

Parts List: Hardware

TIP: Keep all the parts in their individually labeled bags. This will make finding parts easier as you assemble your cabinet.



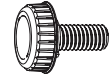
c1 6x35 Cam Bolt **x32**



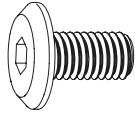
c2 $\frac{5}{8}$ " Cam Cover **x32**



d1 8x30 Dowel Pin **x26**



s4 Alignment Pin **x4**



b1 8x16 Fix Bolt **x20**



b2 4x20 Fix Bolt **x2**



s1 3.5x14 Screw **x108**



s3 3.5x35 Screw **x4**



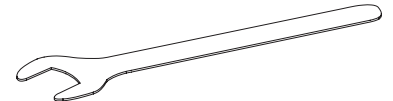
s2 3x14 Screw **x14**



p1 Threaded Dowel Pin **x3**



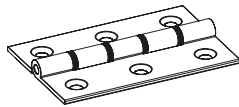
a Allen Wrench **x1**



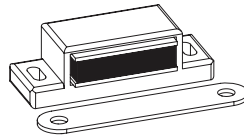
r3 14mm Wrench **x1**



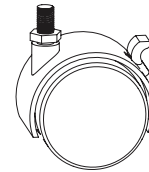
h1 Knob **x2**



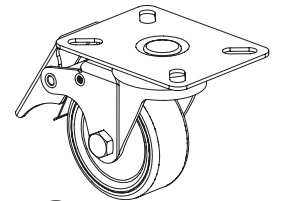
h2 Butt Hinge **x14**



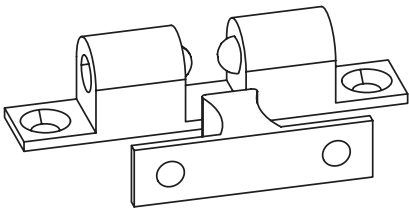
m Magnet **x5**



t1 Caster **x2**



t2 Plate Caster **x5**



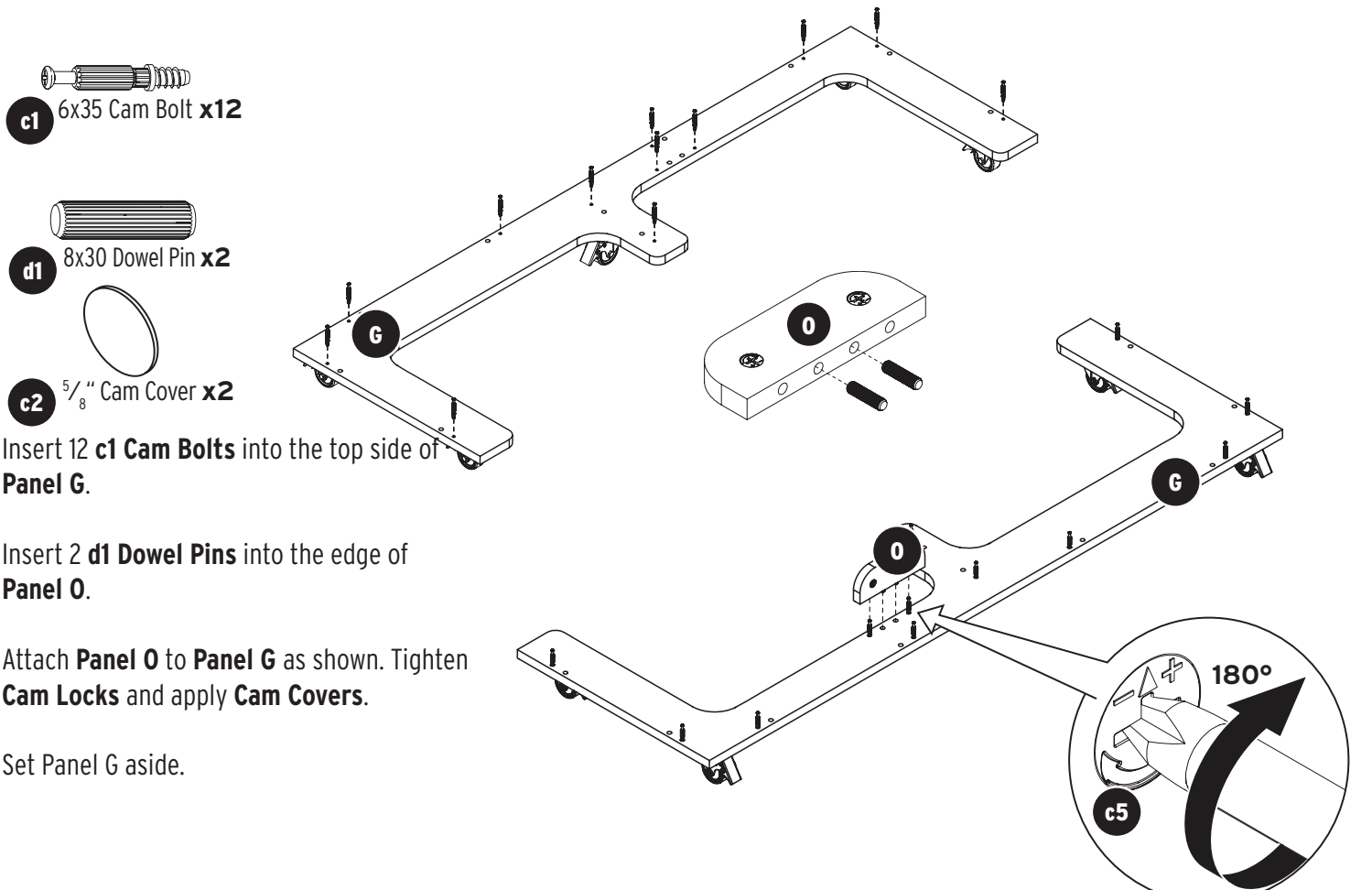
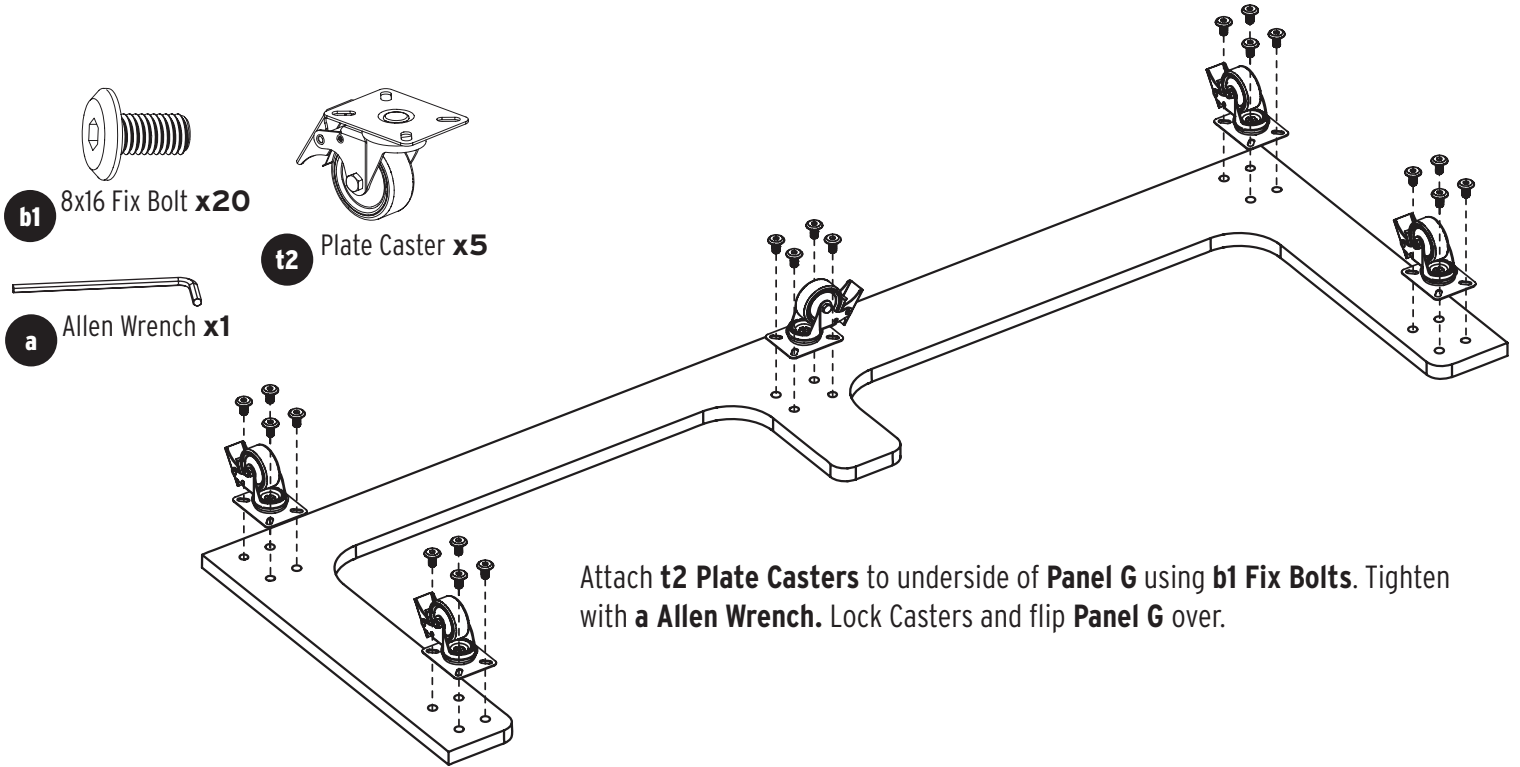
b3 Ball Catch **x2**

Pre-installed parts

c5 Cam
Caster Bracket Drawer Runners

Part 1: Cabinet Shell

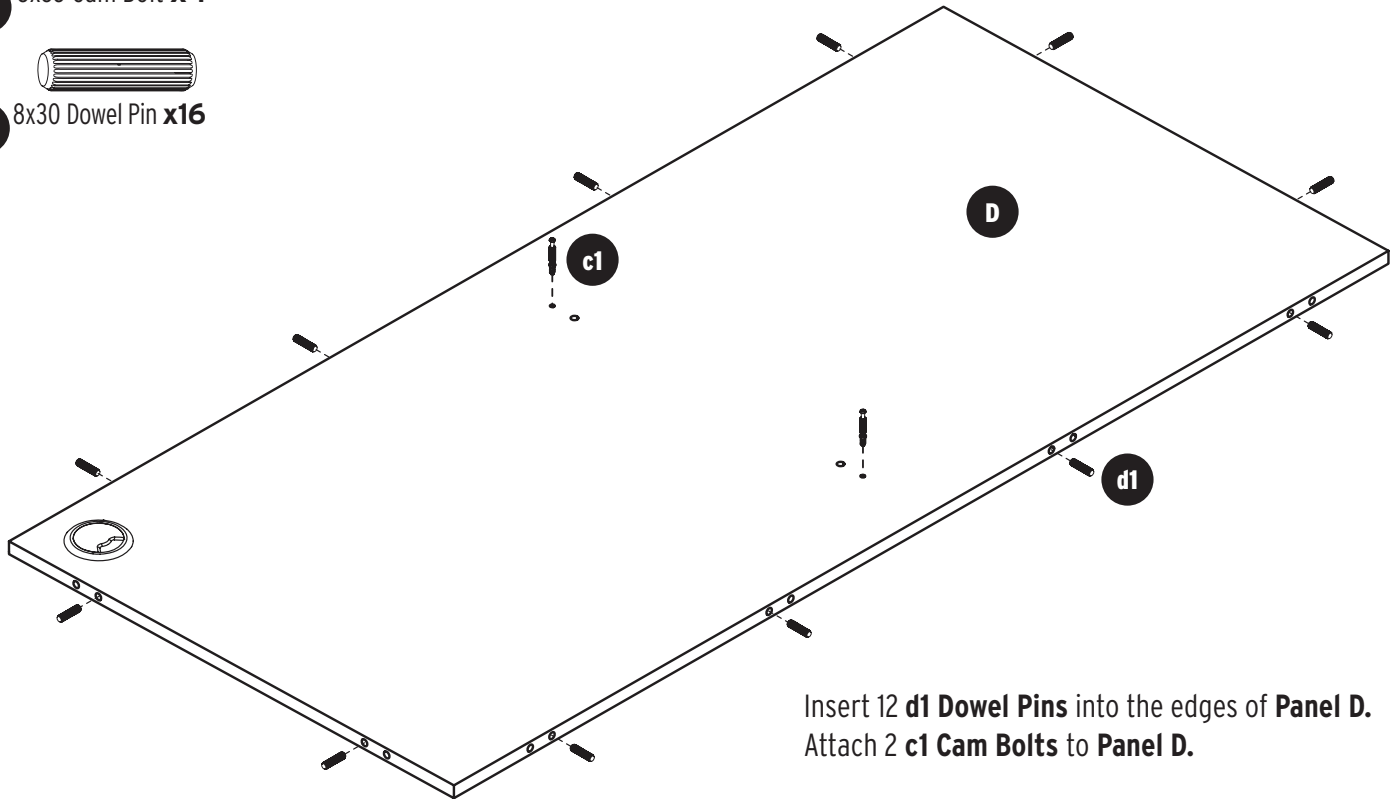
We can't wait to get your brand new Kangaroo Sewing Cabinet up and running. Please contact our Customer Service Team at 1-800-533-7347, ext. 1 during normal business hours with any assembly related questions.



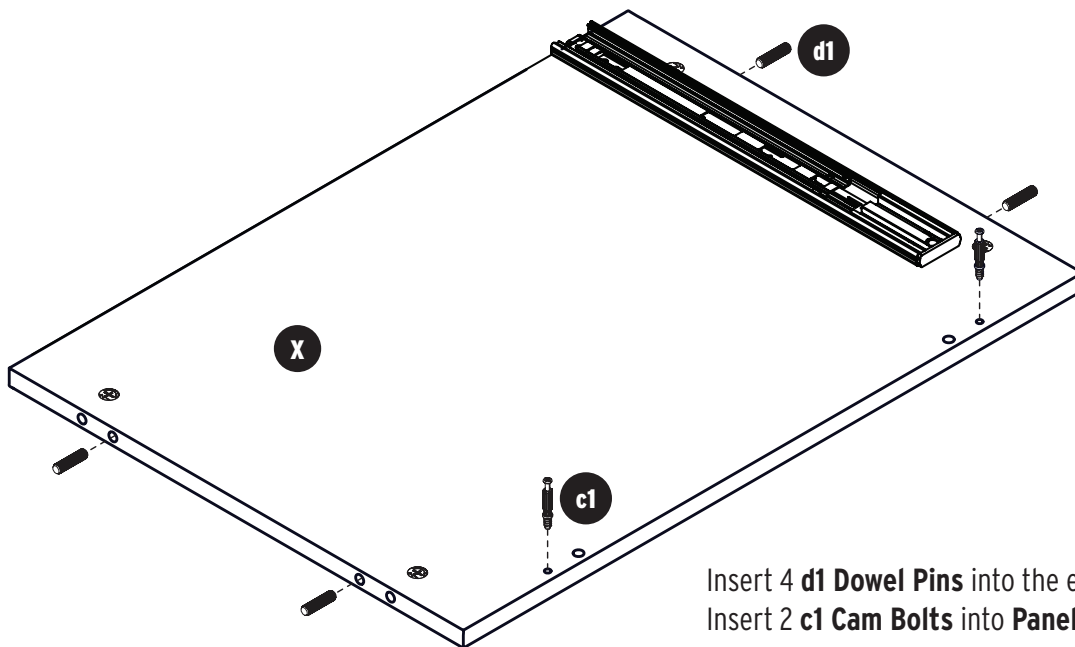
Part 1: Cabinet Shell

c1 6x35 Cam Bolt **x4**

d1 8x30 Dowel Pin **x16**



Insert 12 **d1 Dowel Pins** into the edges of **Panel D**.
Attach 2 **c1 Cam Bolts** to **Panel D**.

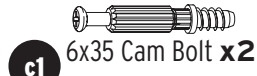


Insert 4 **d1 Dowel Pins** into the edges of **Panel X**.
Insert 2 **c1 Cam Bolts** into **Panel X**.

Part 1: Cabinet Shell



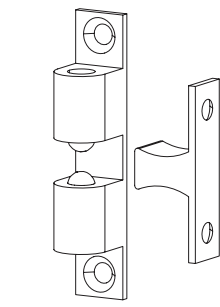
d1 8x30 Dowel Pin **x8**



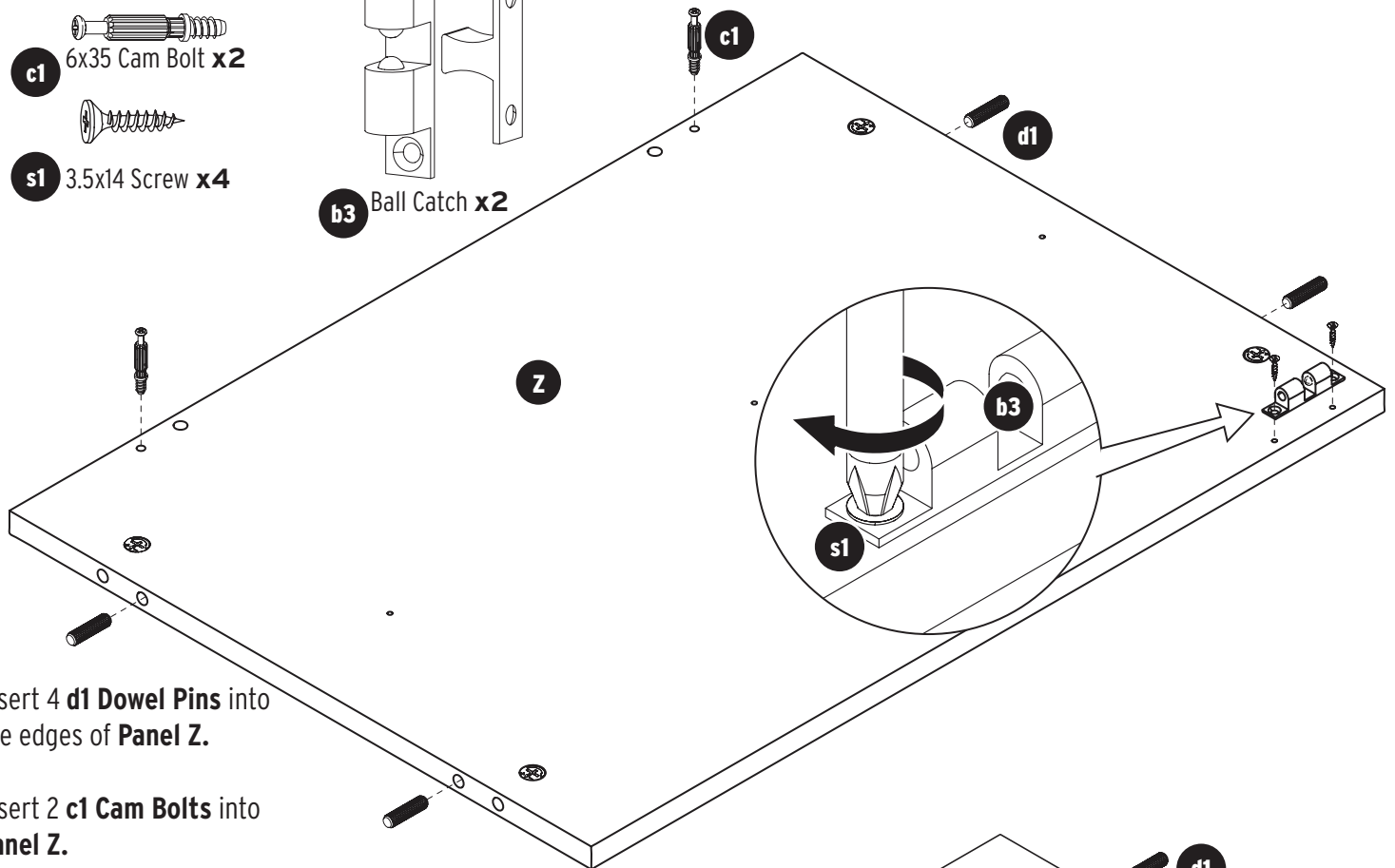
c1 6x35 Cam Bolt **x2**



s1 3.5x14 Screw **x4**



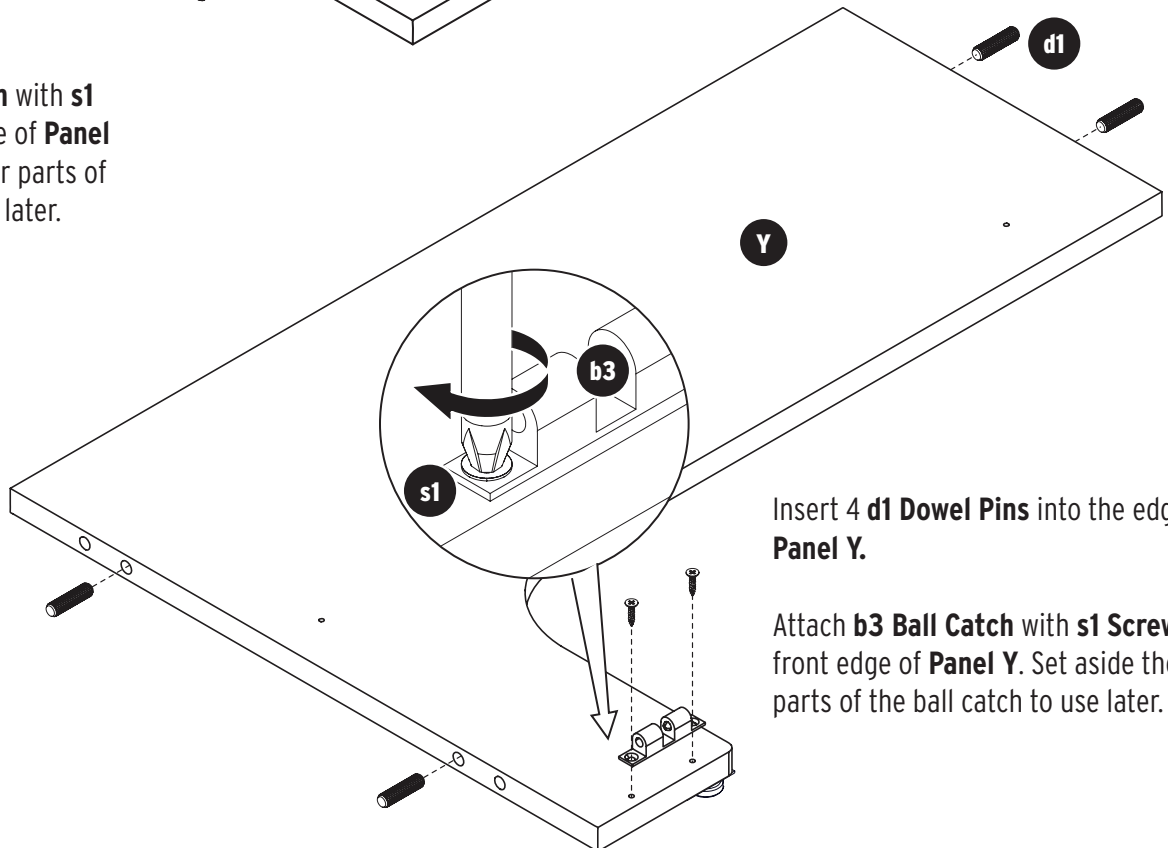
b3 Ball Catch **x2**



Insert 4 **d1** Dowel Pins into the edges of **Panel Z**.

Insert 2 **c1** Cam Bolts into **Panel Z**.

Attach **b3** Ball Catch with **s1** Screws to front edge of **Panel Z**. Set aside the other parts of the ball catch to use later.



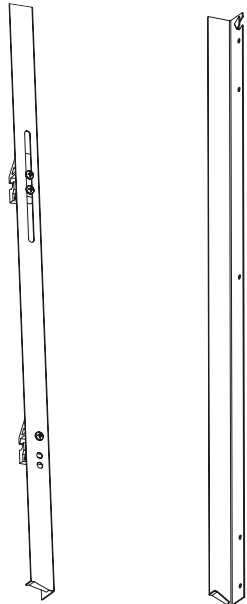
Insert 4 **d1** Dowel Pins into the edges of **Panel Y**.

Attach **b3** Ball Catch with **s1** Screws to front edge of **Panel Y**. Set aside the other parts of the ball catch to use later.

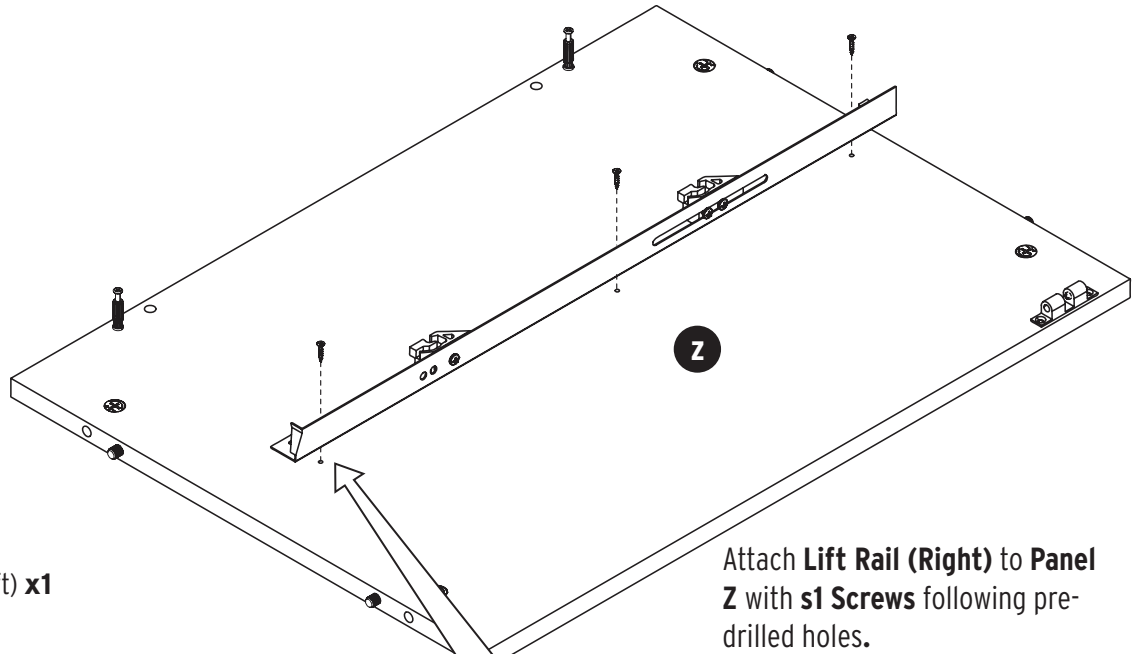
Part 1: Cabinet Shell



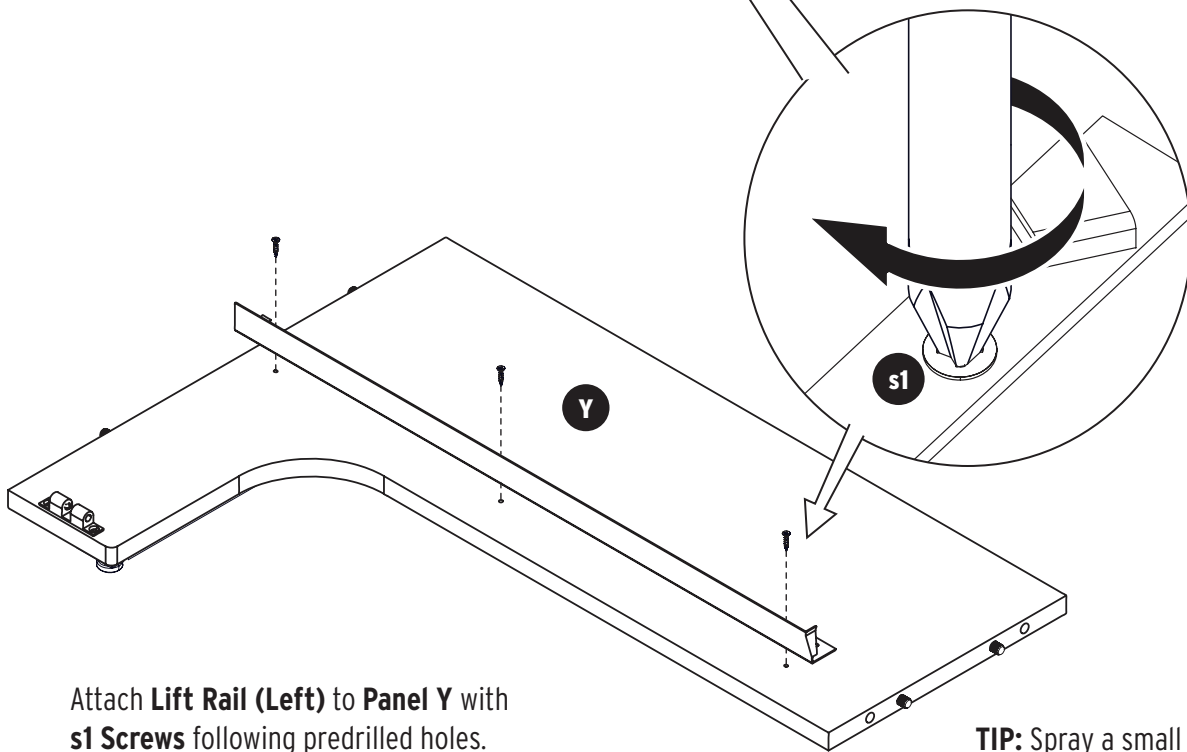
s1 3.5x14 Screw **x6**



Lift Rail (Right) **x1** Lift Rail (Left) **x1**



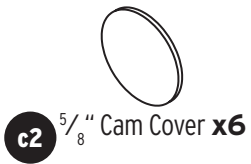
Attach **Lift Rail (Right)** to **Panel Z** with **s1** Screws following pre-drilled holes.



Attach **Lift Rail (Left)** to **Panel Y** with **s1** Screws following predrilled holes.

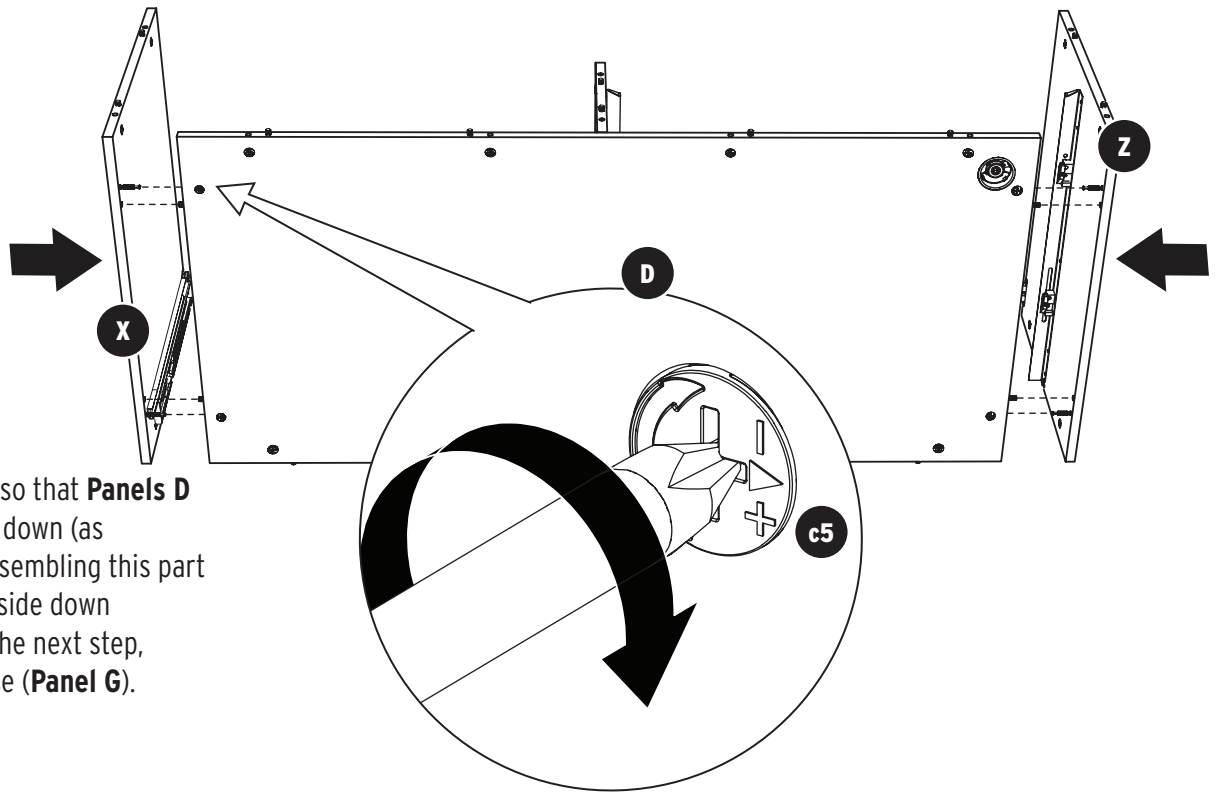
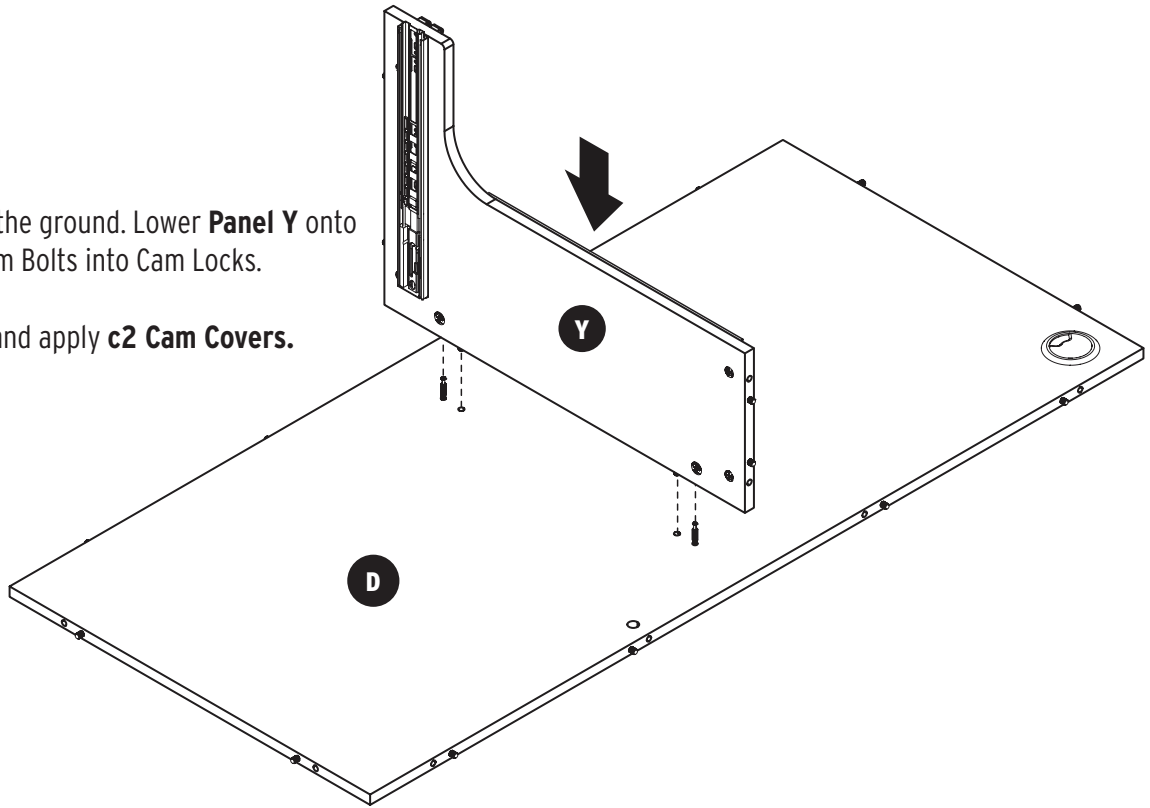
TIP: Spray a small amount of WD-40 or similar lubricant onto a paper towel and wipe the newly installed rails. This will make lift installation and operation easier.

Part 1: Cabinet Shell



Lay **Panel D** flat on the ground. Lower **Panel Y** onto **Panel D**, guiding Cam Bolts into Cam Locks.

Tighten Cam Locks and apply **c2 Cam Covers**.



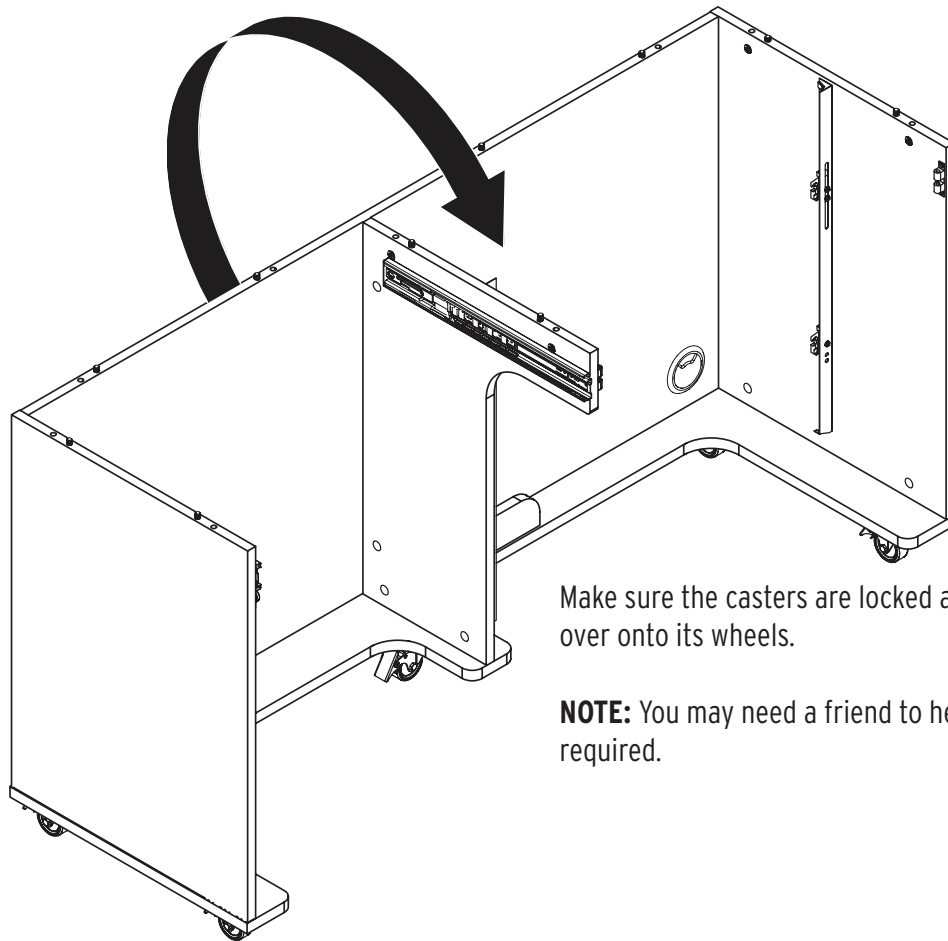
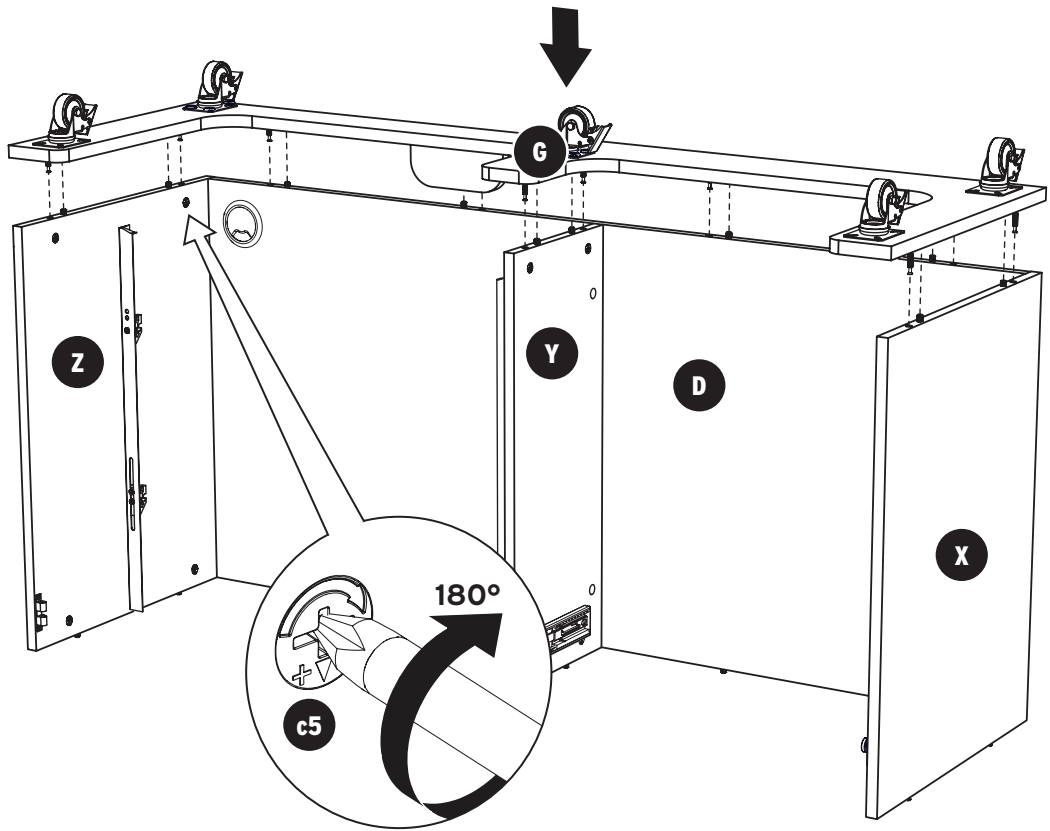
Turn your panels so that **Panels D and Y** are upside down (as shown above). Assembling this part of the cabinet upside down is important for the next step, attaching the base (**Panel G**).

Insert **c1 Cam Bolts** on **Panels X and Z** into cams on **Panel D**. Tighten cams and apply **c2 Cam Covers**.

Part 1: Cabinet Shell



Attach **Panel G** to **Panels D, X, Y and Z** as shown. Tighten cam locks and apply **c2 Cam Covers**.



Make sure the casters are locked and turn the cabinet over onto its wheels.

NOTE: You may need a friend to help you, but it is not required.

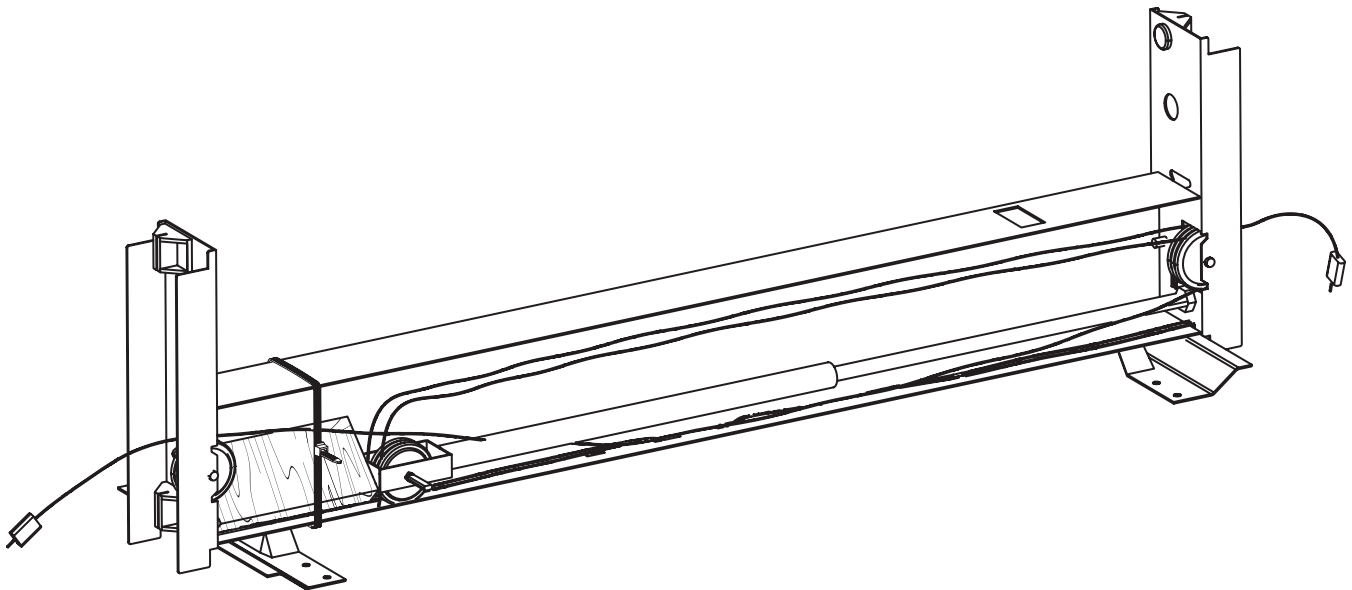
Part 1: Cabinet Shell

LIFT INSTALLATION WARNING:

For video instructions, please visit www.arrowsewing.com/assembly and find the "How to Install Your Hydraulic Lift" video.

DO NOT remove the small wooden block from the Lift until assembly is complete. If the block is removed or falls out before lift assembly is complete, the cables will retract, making installation more difficult. If the block falls out before complete assembly, please visit www.arrowsewing.com/assembly and find the "Alternate Sewing Lift Installation" video.

Still have questions? Call Arrow Sewing Customer Service at 1-800-533-7347, ext. 1 during normal business hours.

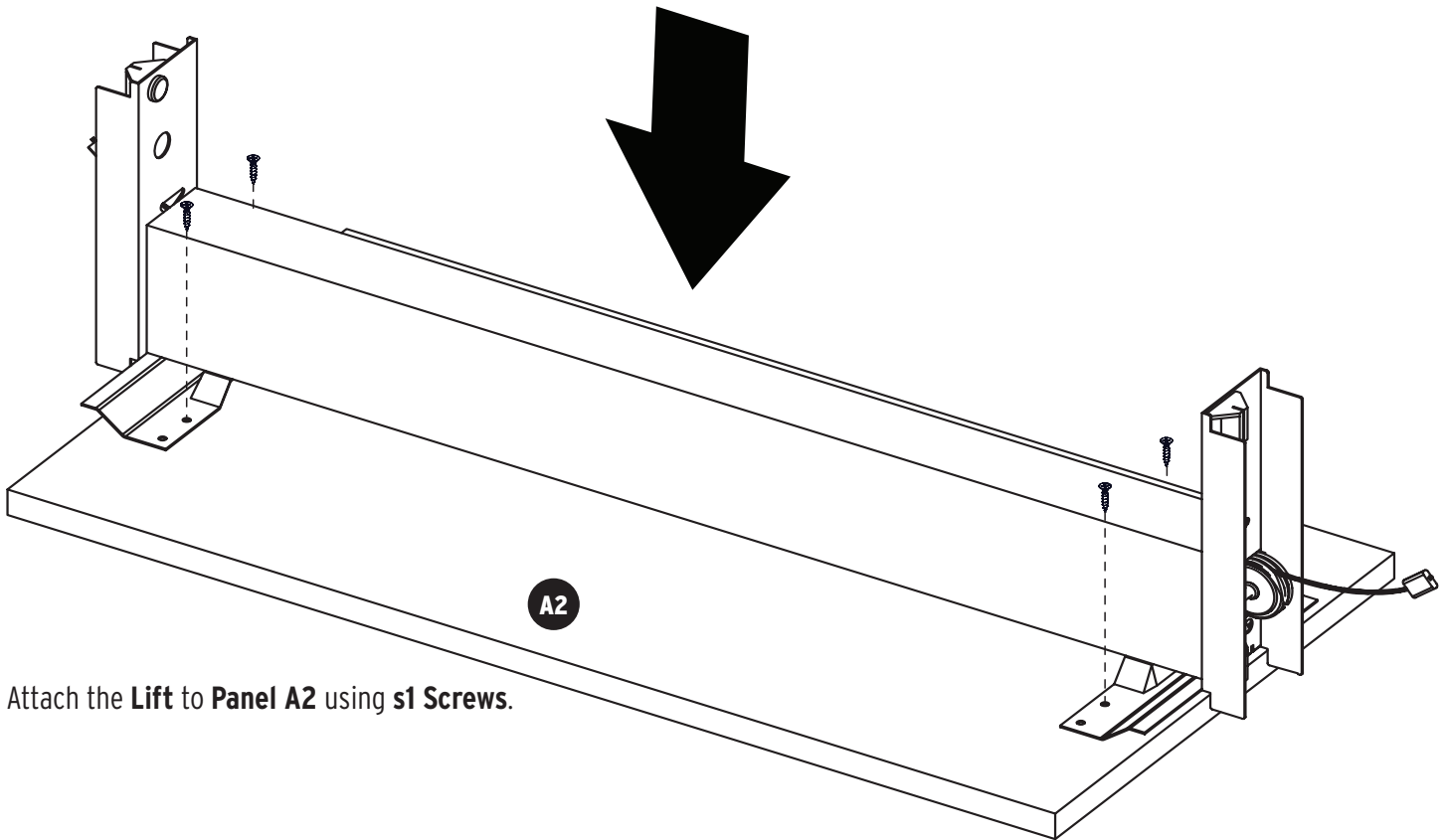


This illustration shows the back view of the **Lift**. Notice the wooden block, red ribbon, and zip ties; the wooden block holds the piston in place so that the cables can be easily handled and inserted into the **Lift Rails** installed on your cabinet.

Do not pull on the red ribbon or remove the zip ties just yet!

Part 2: Lift Panel

s1 
3.5x14 Screw **x4**



Attach the **Lift** to **Panel A2** using **s1** Screws.

Part 2: Lift Panel

Guide **Lift** onto **Lift Rails** using plastic guides. Insert ends of cable into rail tabs; make sure the cable is hooked into the rail tabs on both sides.

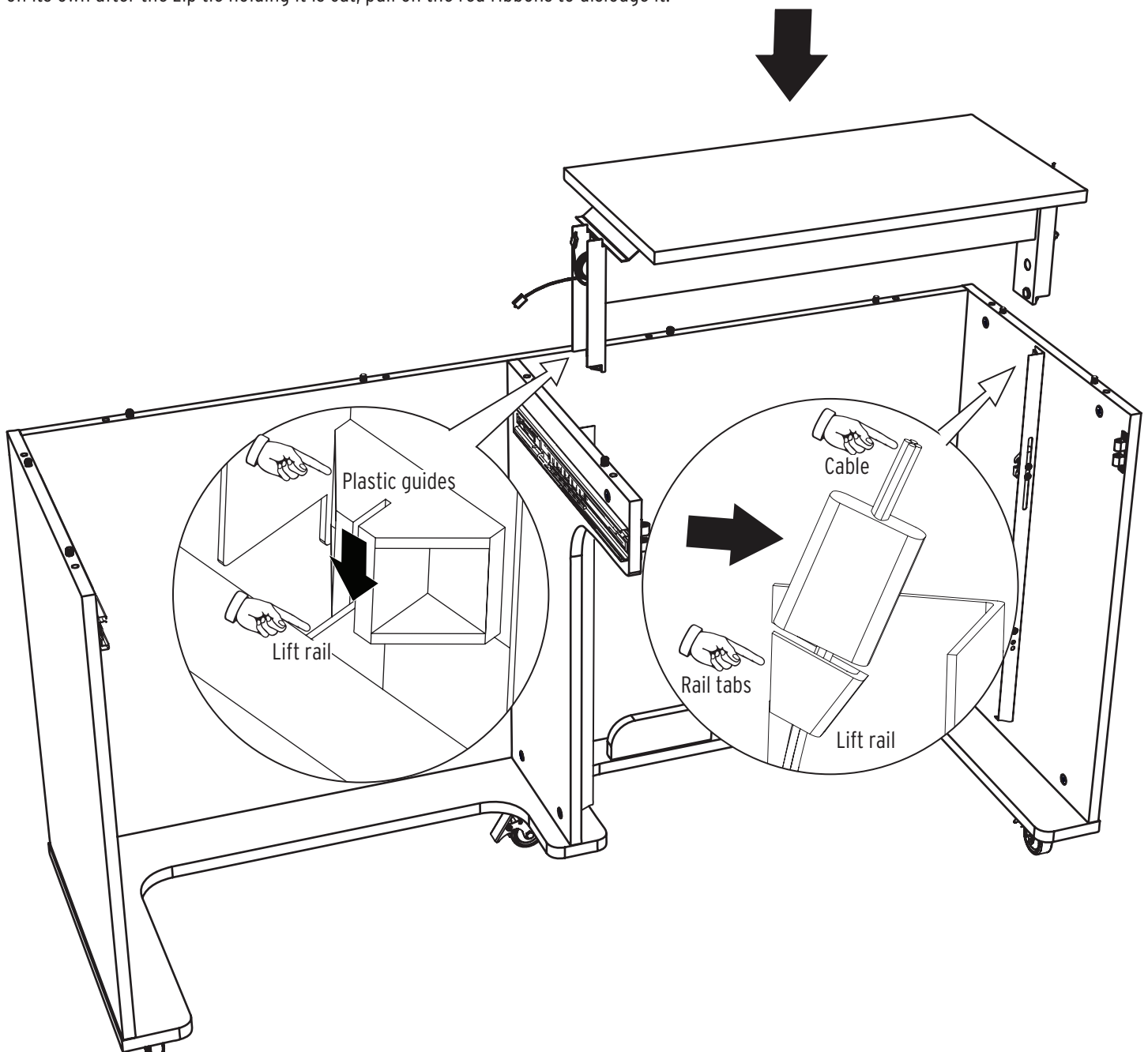
Cut the zip ties on the lift, but DO NOT remove the block yet.

First lower the **Lift** to first lock position. **DO NOT ADJUST THE LIFT AGAIN UNTIL THE TOP OF THE CABINET IS INSTALLED.** Moving the lift back up before the top is installed will dislodge the cables from the rail tabs and uninstall your lift.

IF YOUR LIFT COMES OFF THE RAILS AND THE CABLES RETRACT, visit www.arrowsewing.com/assembly and find the “Alternate Sewing Lift Installation” video.

Still have questions? Email us anytime at cs@arrowsewing.com or give Arrow Sewing Customer Service a call for assistance at 1-800-533-7347, ext. 1 during normal business hours.

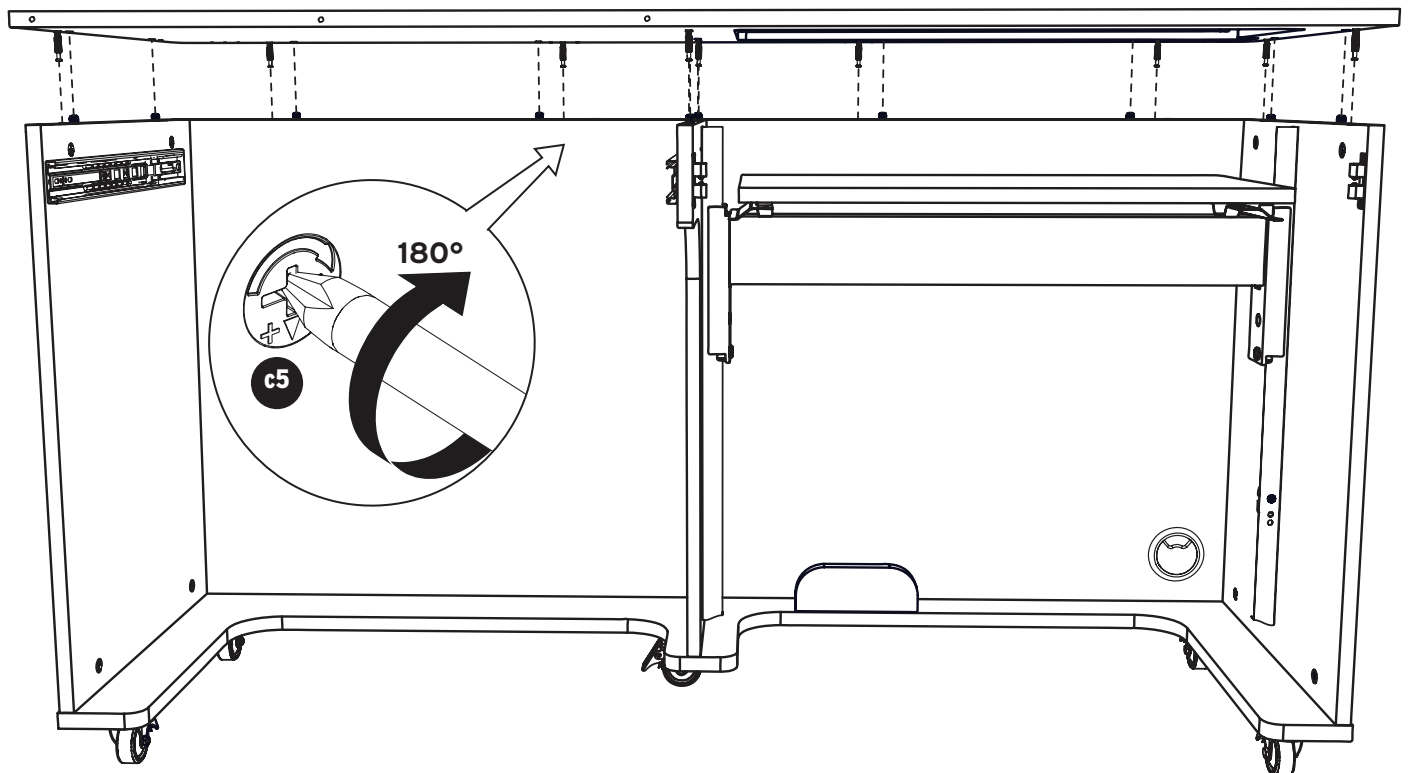
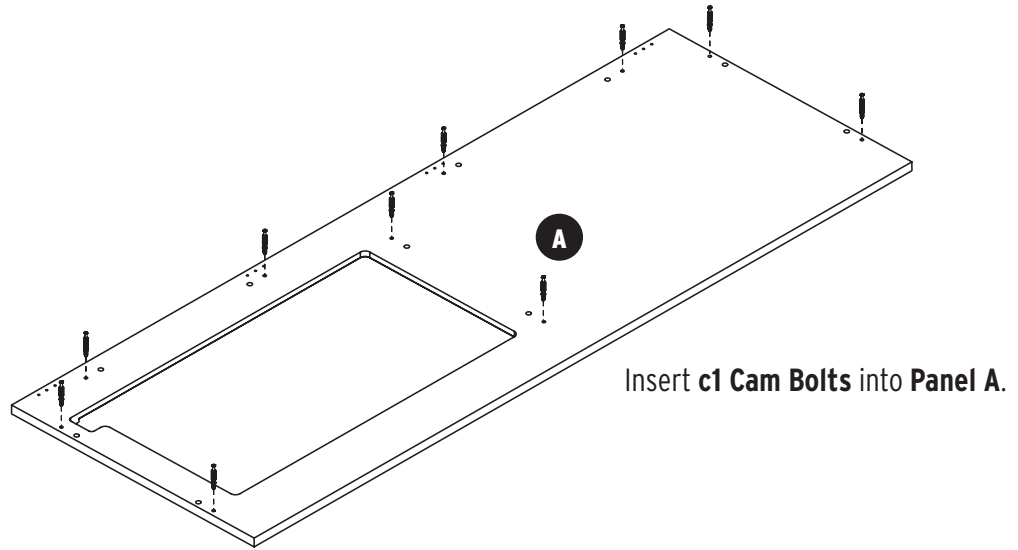
Once your cabinet is completely assembled, make sure that the zip ties and wooden block are removed. If the wooden block does not fall out on its own after the zip tie holding it is cut, pull on the red ribbons to dislodge it.



Part 3: Top, Support Leaf and Quilt Panel

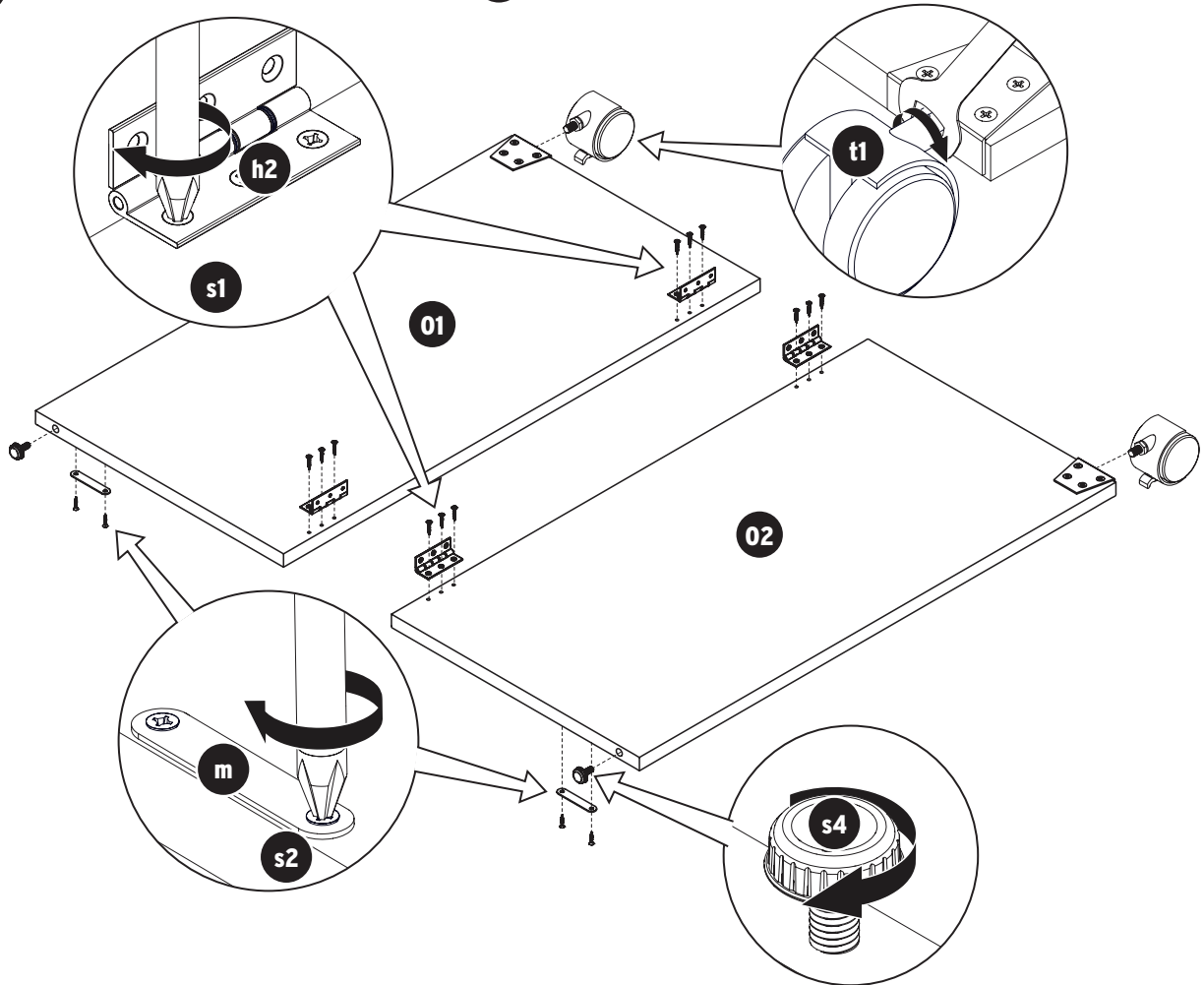
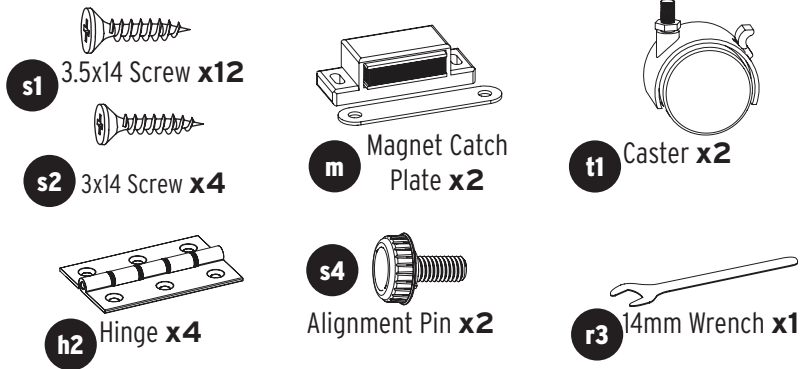

c1 6x35 Cam Bolt x10


c2 $\frac{5}{8}$ " Cam Cover x10



Lower **Panel A**, inserting cam bolts on **Panel A** onto cams on **Panels X, D, Y and Z**. Tighten cam locks and apply **c2** Cam Covers.

Part 3: Top, Support Leaf and Quilt Panel



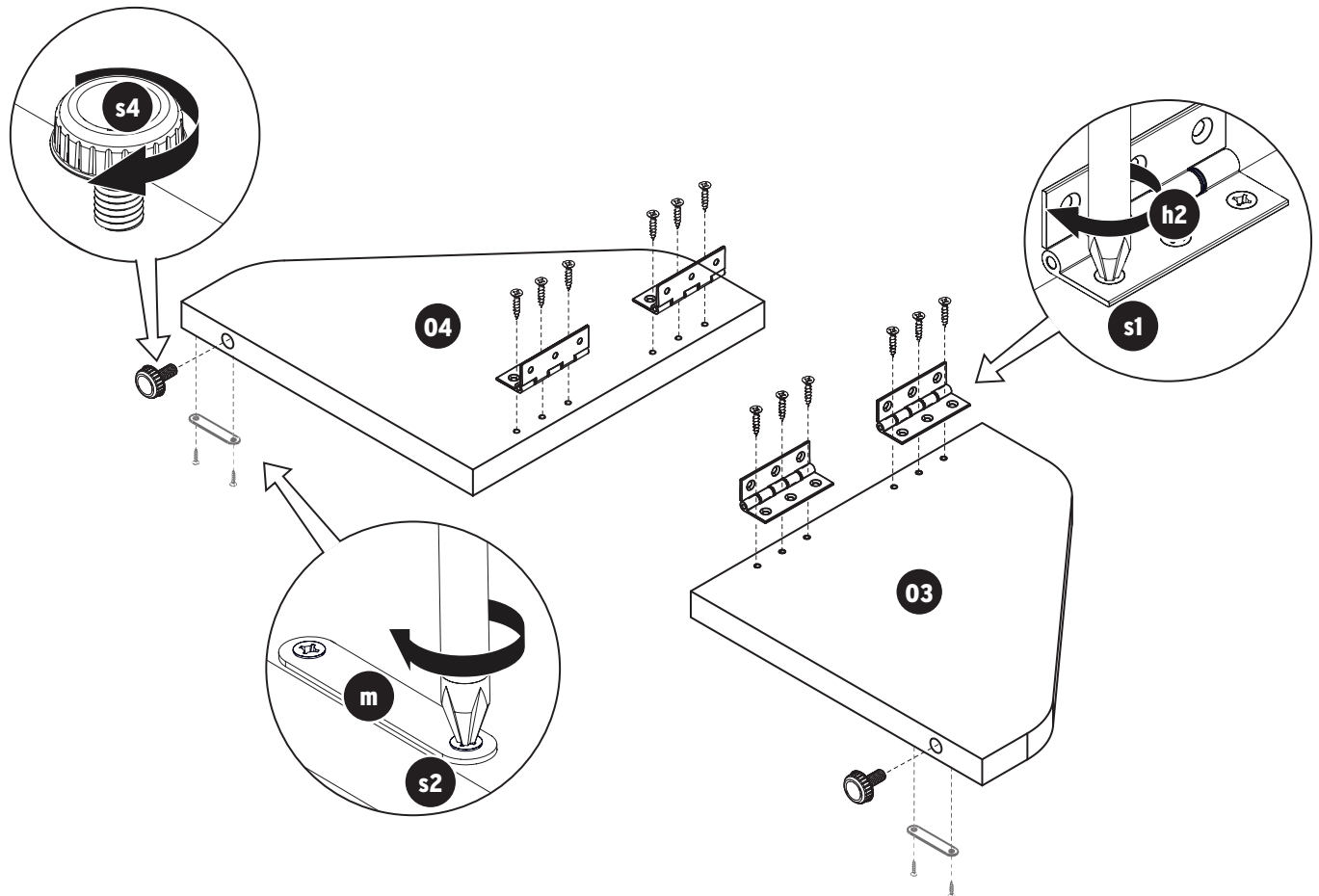
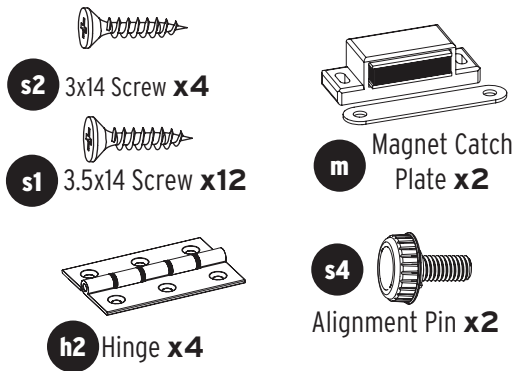
Attach **h2** Butt Hinges to **Panels 01 and 02** using **s1** Screws.

Attach **m** Magnet Catch Plates to underside of **Panels 01 and 02** using **s2** Screws.

Screw **s4** Alignment Pins into the pre-drilled hole in the top of **Panels 01 and 02**.

Screw **t1** Casters into the bottom of **Panels 01 and 02**. Tighten with **r3** Wrench.

Part 3: Top, Support Leaf and Quilt Panel



Attach **h2** Butt Hinges to Panels **03** and **04** using **s1** Screws.

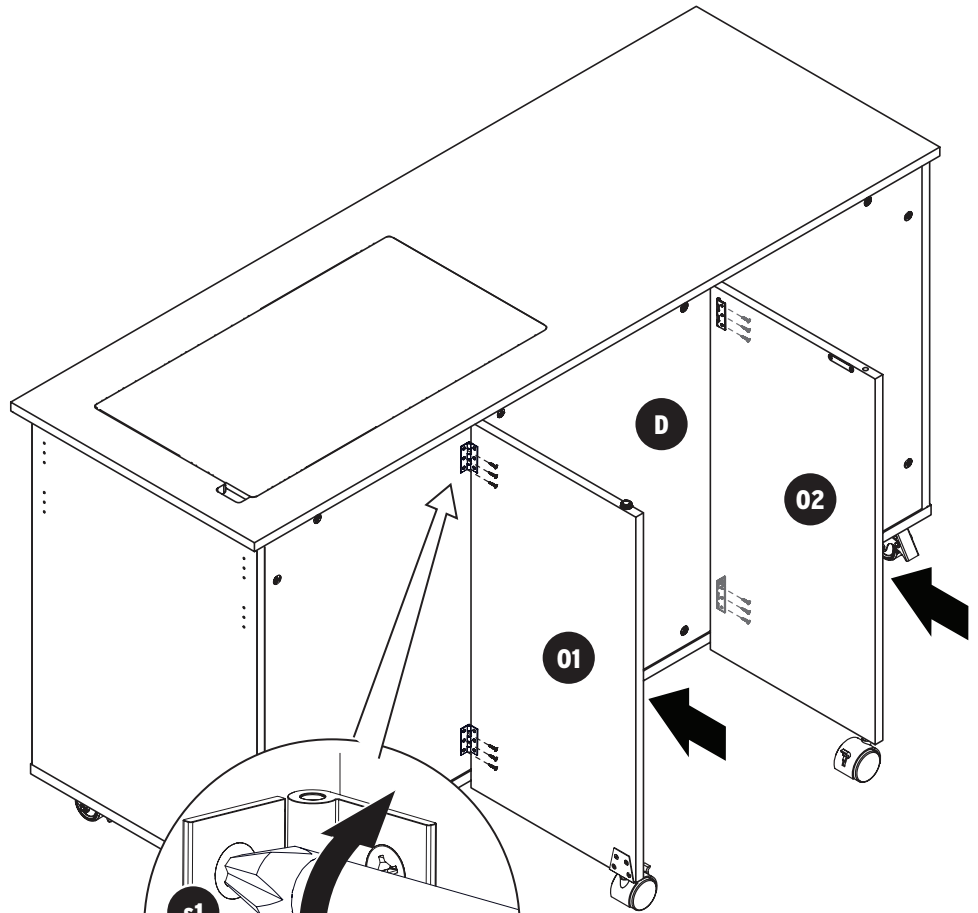
Attach **m** Magnet Catch Plates to the underside of Panels **03** and **04** using **s2** Screws.

Screw **s4** Alignment Pins into the pre-drilled hole in the top of Panels **03** and **04**.

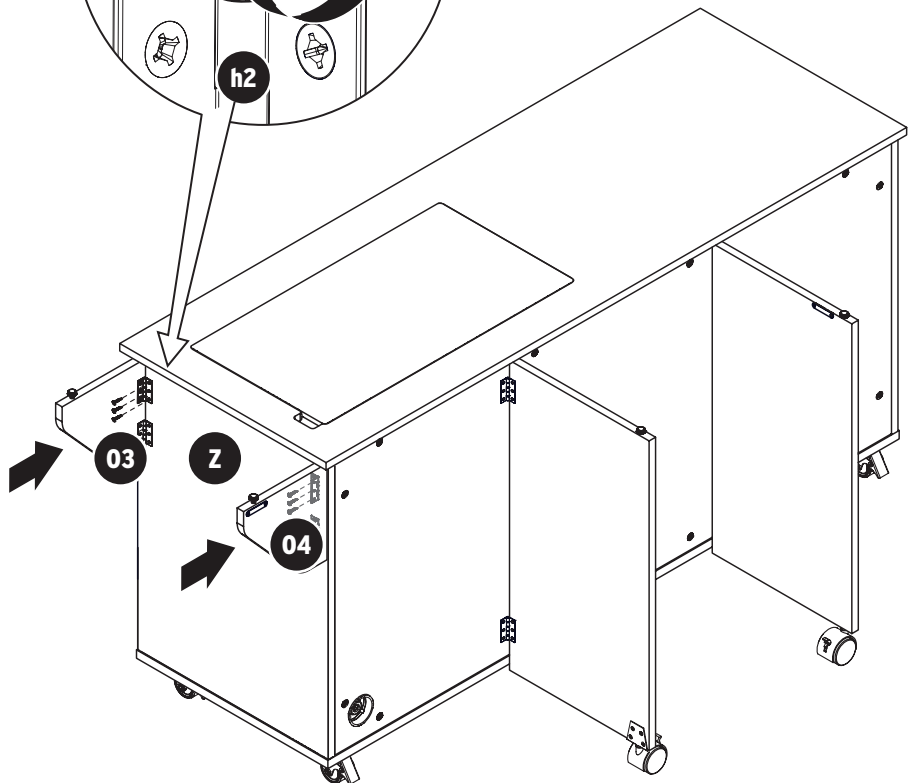
Part 3: Top, Support Leaf and Quilt Panel

s1 
3.5x14 Screw **x24**

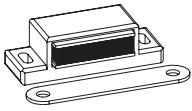
Attach **Panels 01 and 02** to **Panel D** using **s1** Screws.



Attach **Panels 03 and 04** to **Panel Z** using **s1** Screws.



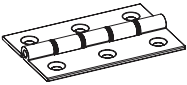
Part 3: Top, Support Leaf and Quilt Panel



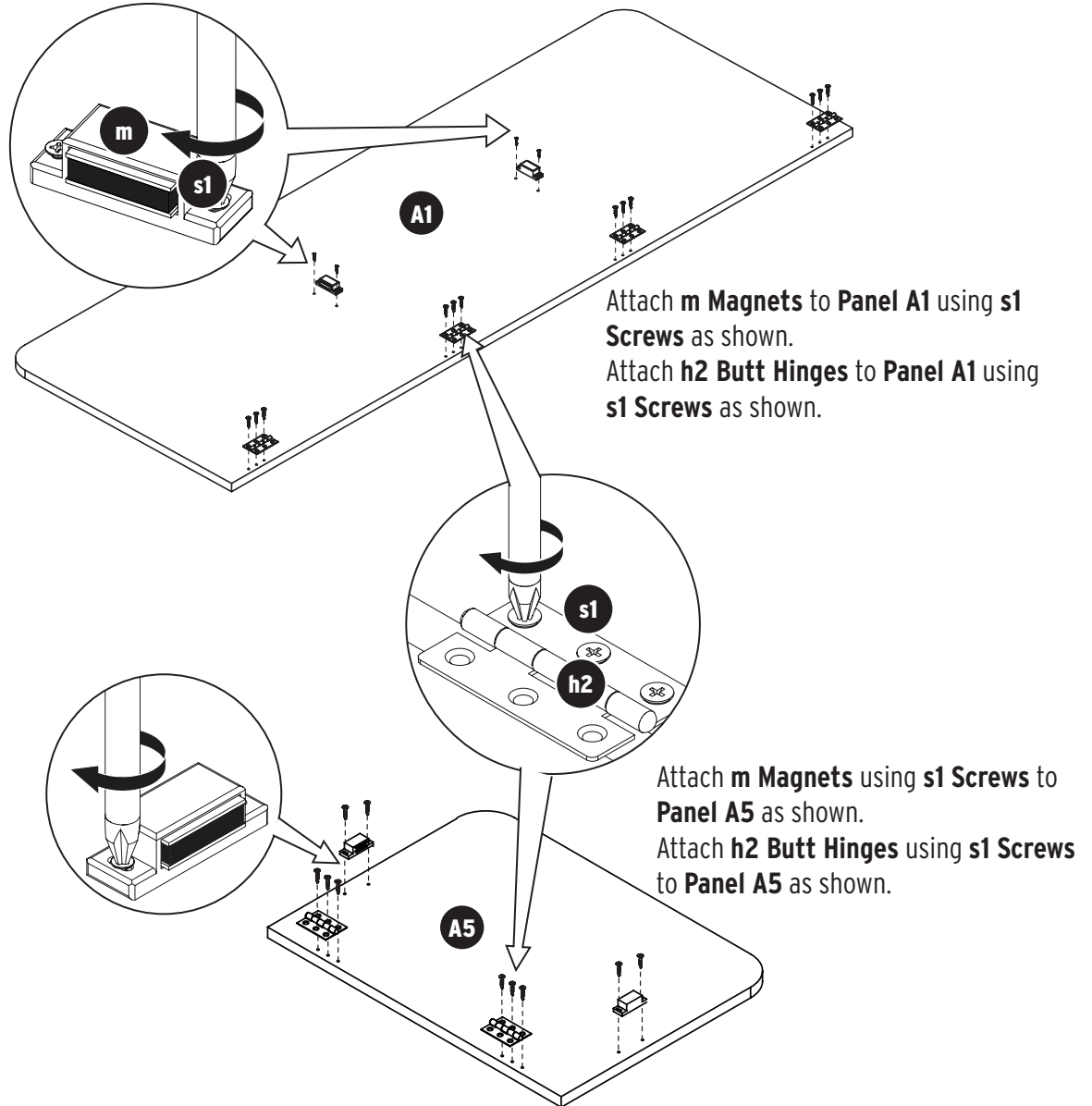
m Magnet **x4**



s1 3.5x14 Screw **x26**

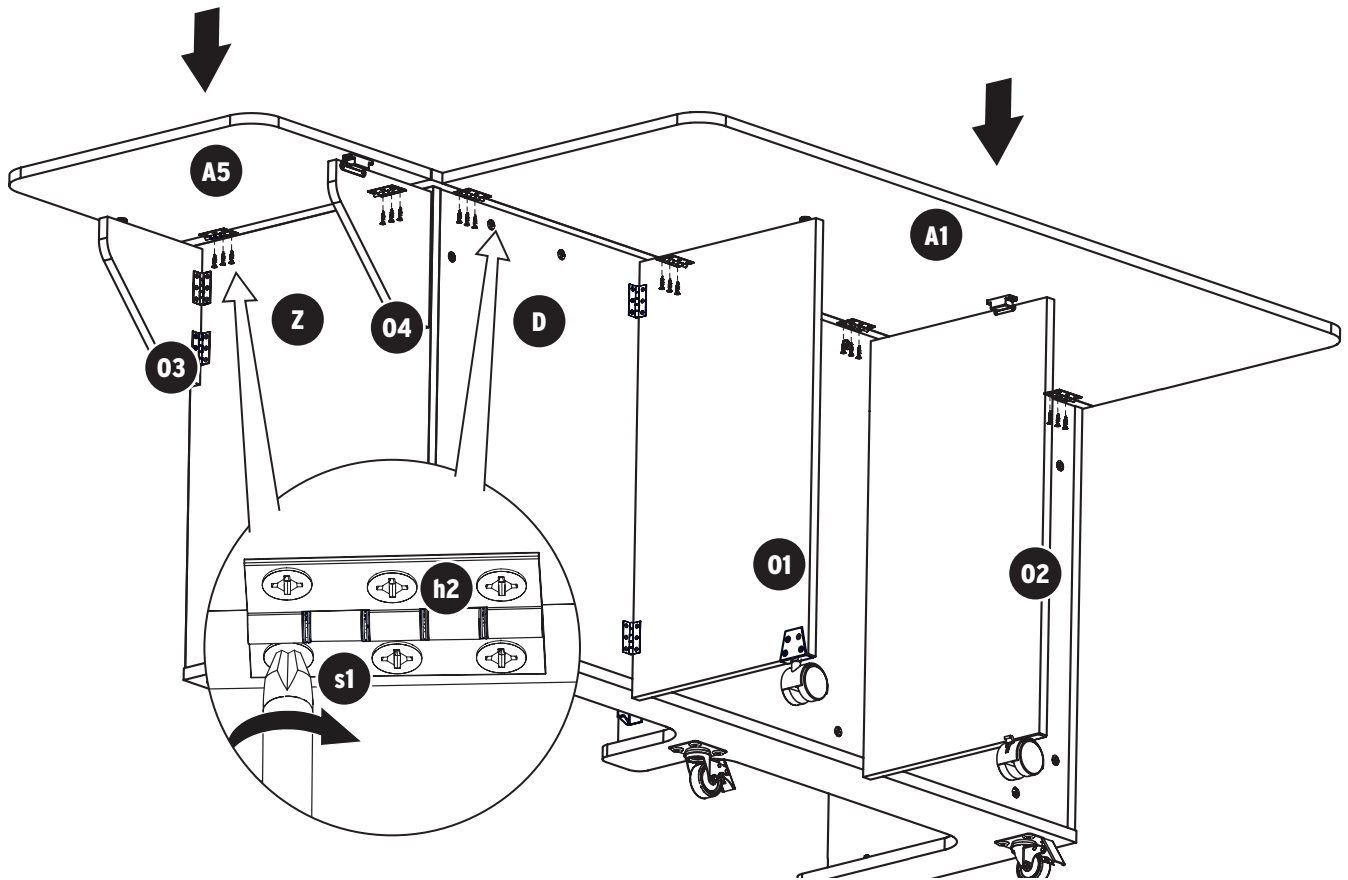


h2 Hinge **x6**



Part 3: Top, Support Leaf and Quilt Panel

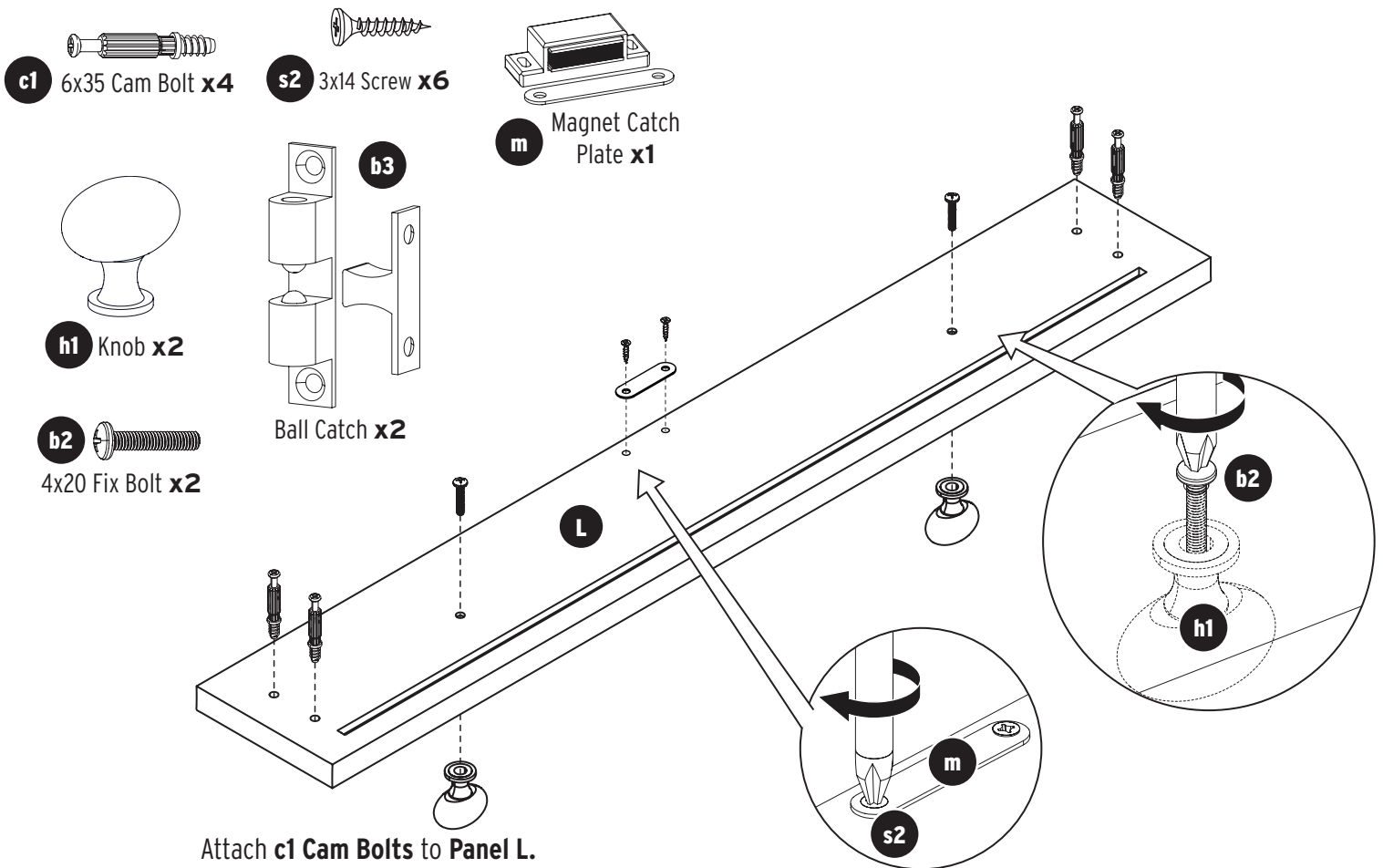
s1 
3.5x14 Screw **x18**



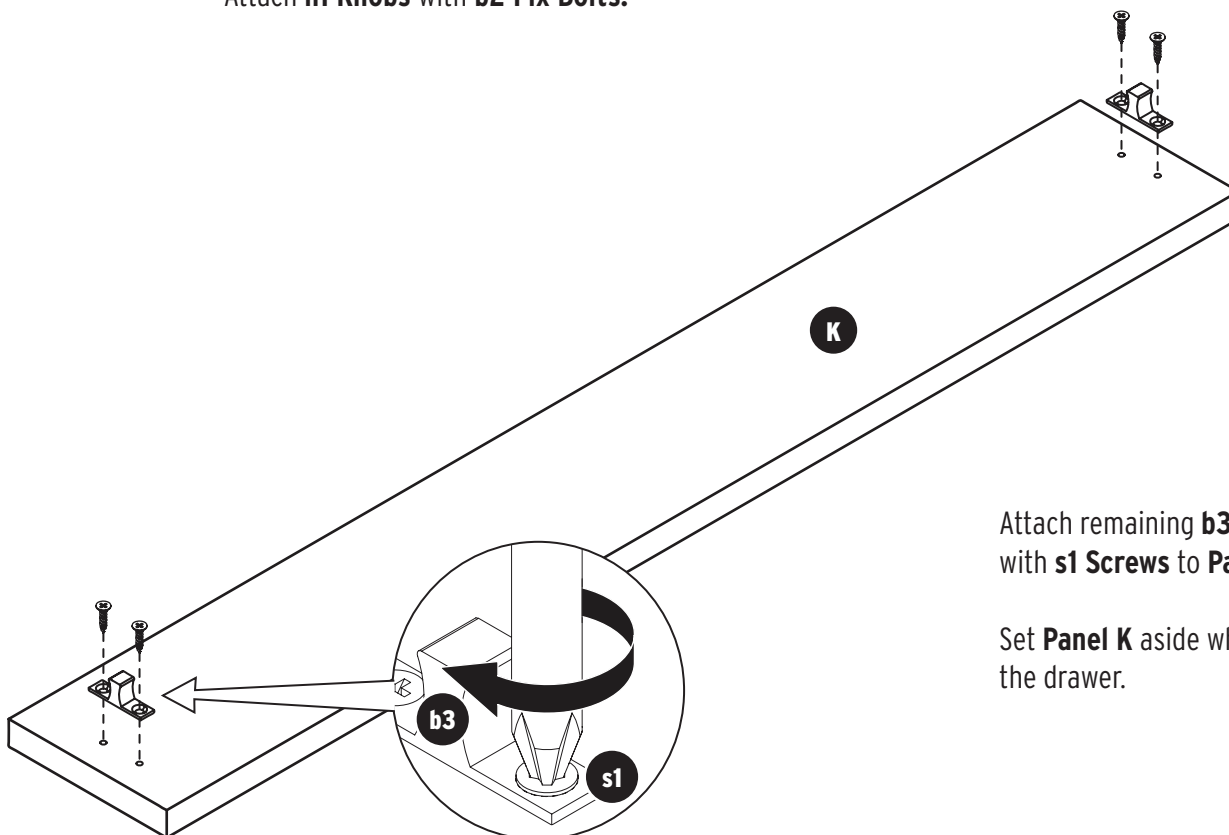
Extend Gate Leg **Panels 01 and 02**. Balance **Panel A1** on gate legs and attach **h1 Hinges** to Panel A (top) using **s1 Screws**.

Extend Support **Panels 03 and 04**. Balance **Panel A5** on support panels and attach **h1 Hinges** to Panel A (top) using **s1 Screws**.

Part 4: Drawer Unit and Front Panel



Attach **c1** Cam Bolts to **Panel L**.
Attach **m** Magnet Catch Plate with **s2** Screws.
Attach **h1** Knobs with **b2** Fix Bolts.



Attach remaining **b3** Ball Catch parts with **s1** Screws to **Panel K**.

Set **Panel K** aside while you assemble the drawer.

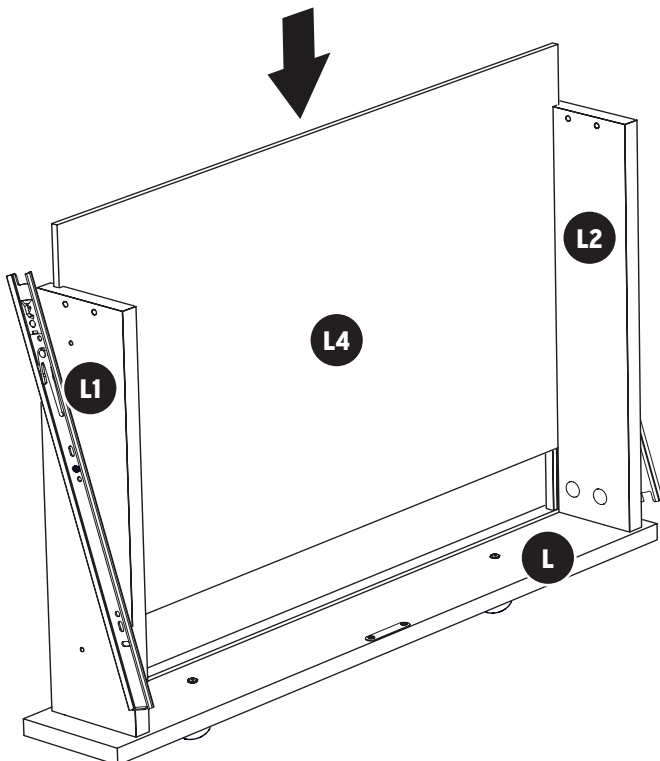
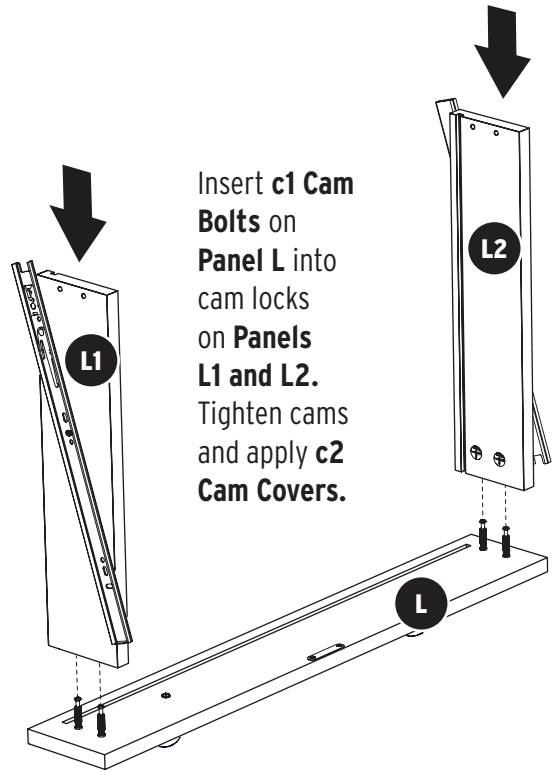
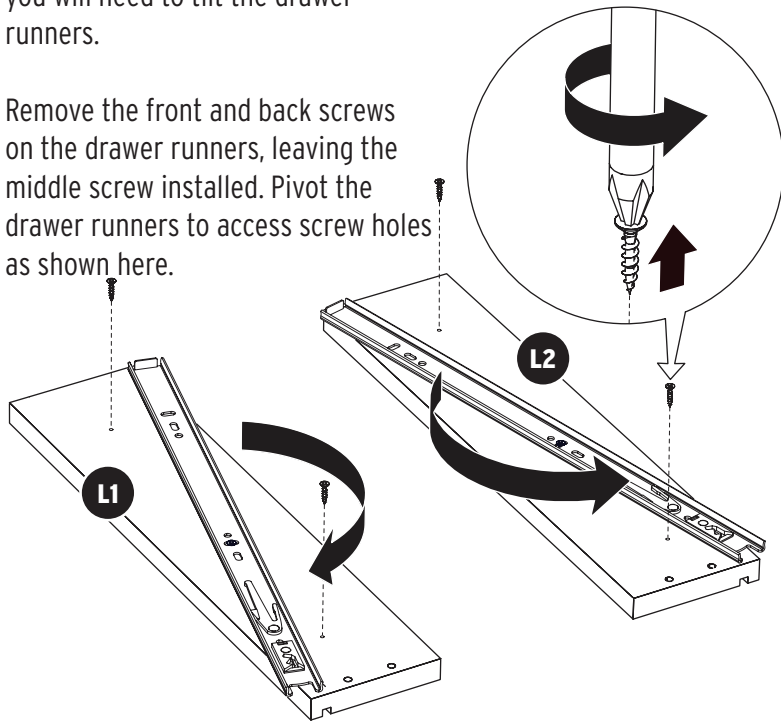
Part 4: Drawer Unit and Front Panel



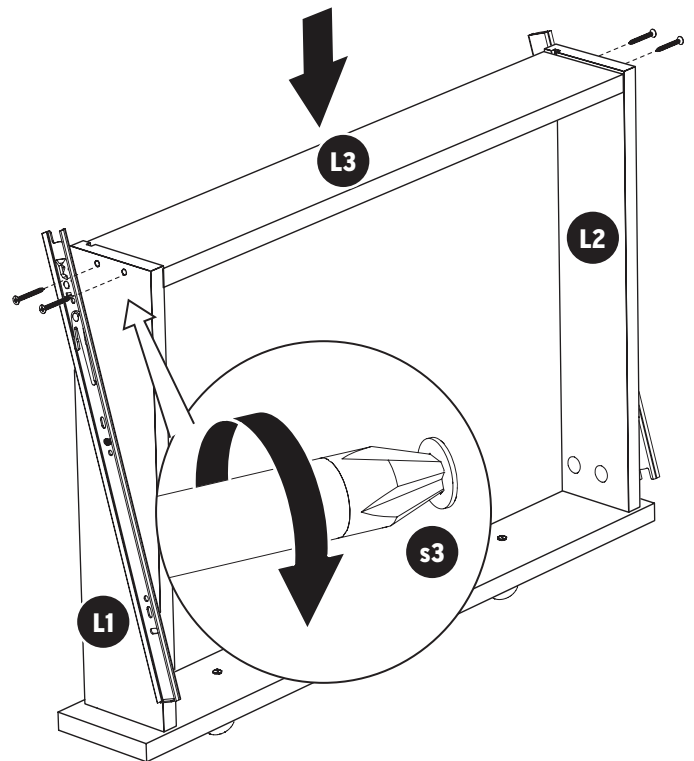
5/8" Cam Cover x4

To reach the pre-drilled screw holes on the sides of **Panels L1 and L2**, you will need to tilt the drawer runners.

Remove the front and back screws on the drawer runners, leaving the middle screw installed. Pivot the drawer runners to access screw holes as shown here.



Slide **Panel L4** into grooves on **Panels L, L1 and L2**.



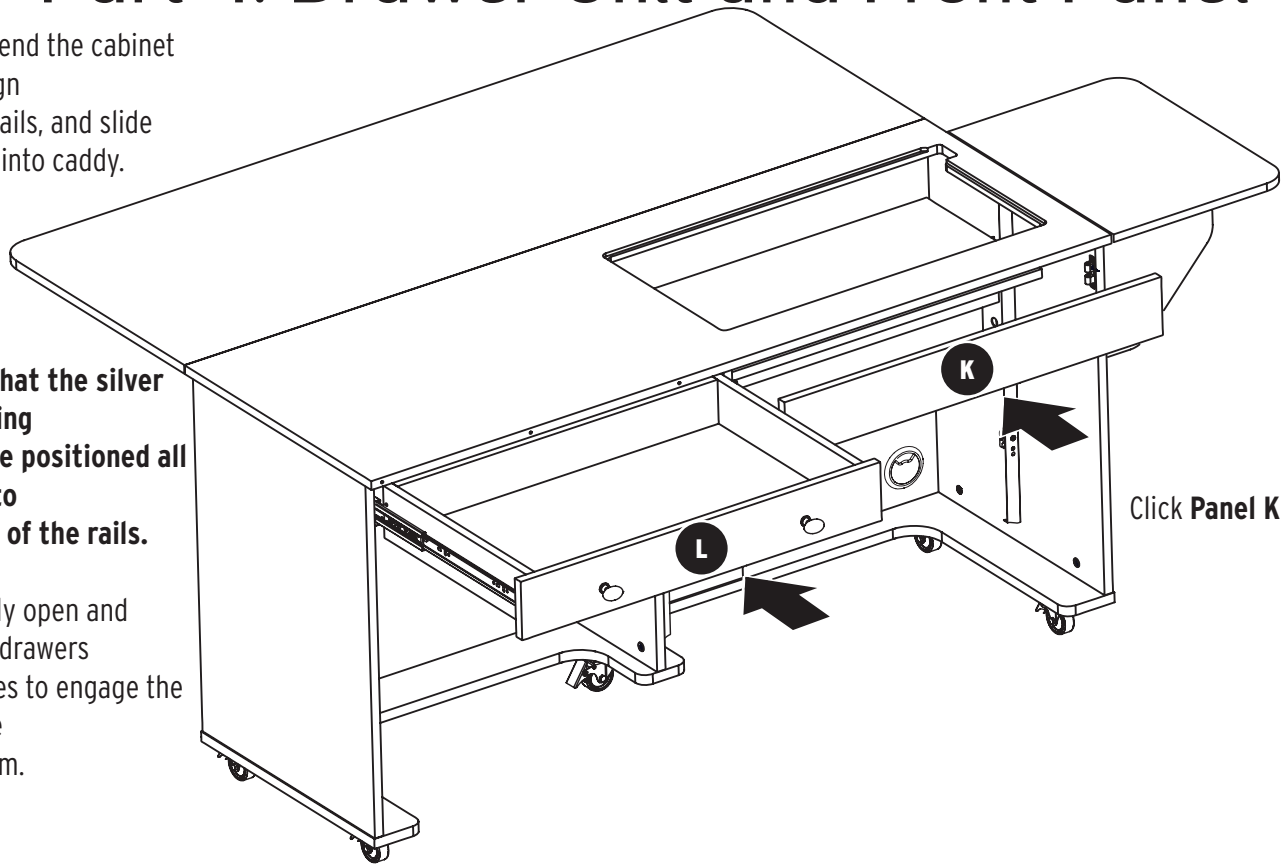
Connect **Panel L3** to **Panels L1 and L2** using **s3 Screws**.

Part 4: Drawer Unit and Front Panel

Fully extend the cabinet rails, align drawer rails, and slide drawers into caddy.

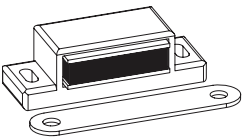
Be sure that the silver ball bearing pieces are positioned all the way to the front of the rails.

TIP: Gently open and close the drawers a few times to engage the Soft Close mechanism.



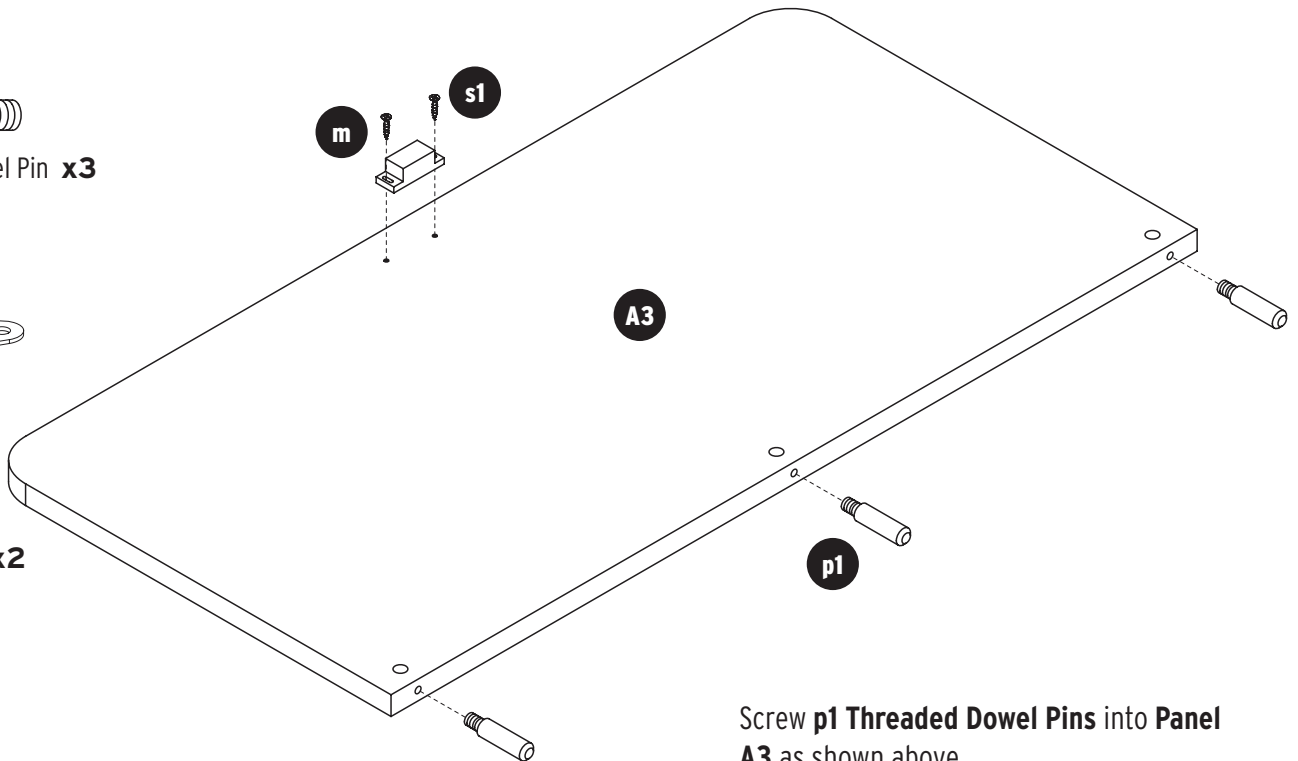
Click **Panel K** into place.

p1 Threaded Dowel Pin **x3**



m Magnet **x1**

s1 3.5x14 Screw **x2**

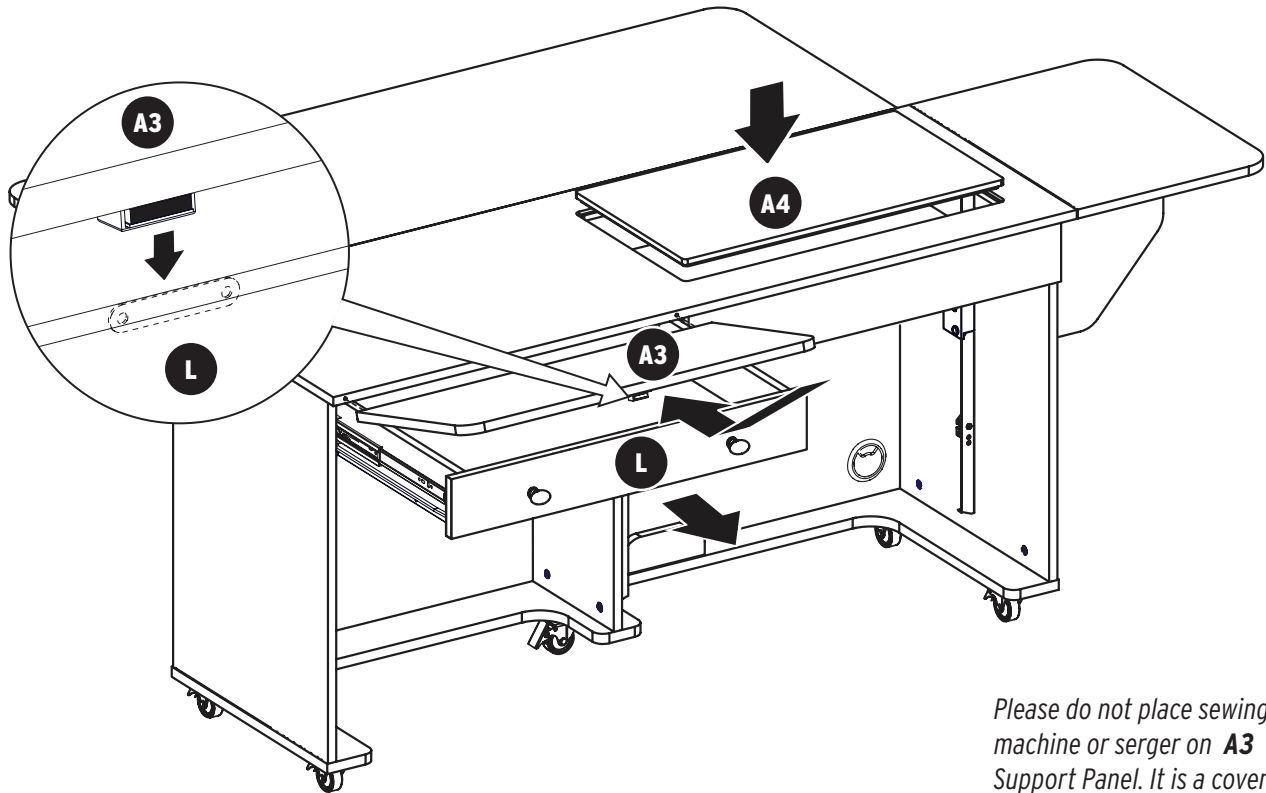


Screw **p1** Threaded Dowel Pins into **Panel A3** as shown above.

Using **s1** Screws, attach **m** Magnet to **Panel A3** as illustrated.

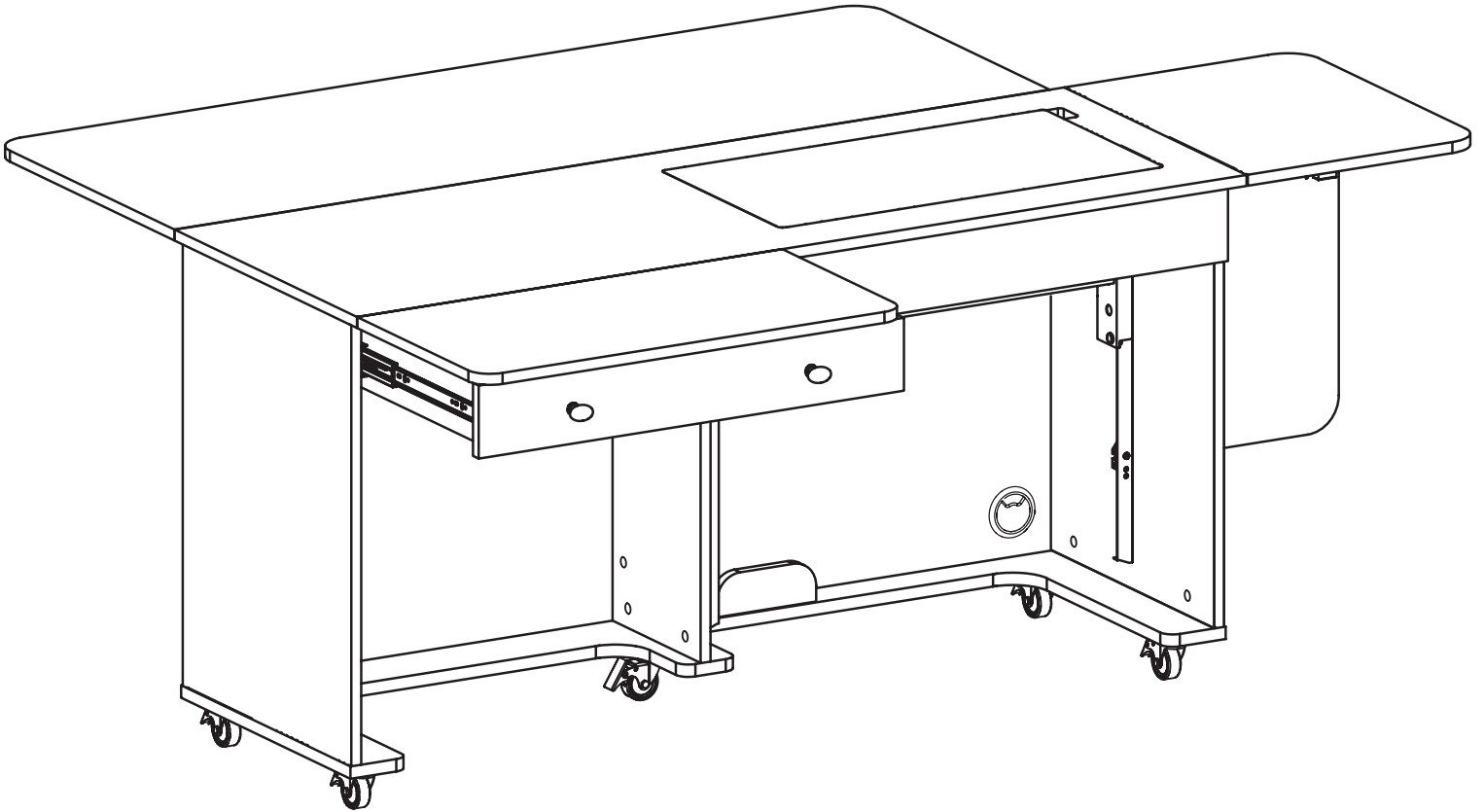
Part 4: Drawer Unit and Front Panel

Slide **Panel A3** into place, inserting threaded dowel pins into pre-drilled holes and clicking magnet into place.



*Please do not place sewing machine or serger on **A3** Support Panel. It is a cover panel only.*

Completed Kangaroo Cabinet



Congratulations! A better sewing experience awaits!



KANGAROO™
sewing furniture

LIMITED LIFETIME WARRANTY

Kangaroo™ Sewing Furniture Limited Lifetime Warranty

WHAT THIS WARRANTY COVERS: Arrow Companies, LLC "Arrow" provides a Limited Lifetime Warranty "Warranty" to the original purchaser of this product against defects in materials or workmanship of furniture components. As used in this Warranty, "defect" means imperfections in components which substantially impair the utility of the product. This Warranty gives you specific legal rights, and you may also have other rights which vary from state to state. Electrical and mechanical components of furniture are warranted for 5 years.

HOW TO GET SERVICE: Simply contact Arrow at 1-800-533-7347 or CS@ArrowSewing.com. When you request Warranty service, you must also present proof of purchase documentation, which includes the date of purchase (detailed receipt), and photos of the product. Arrow will replace any defective part (at its sole option), excluding labor. Replacement parts will be warranted for only the remaining period of the original Warranty.

Replacement parts will be shipped freight prepaid on any initial Warranty claim during first year of Warranty only. Warranty applies only to defects confirmed by Arrow and will be replaced or repaired at Arrow's option. In the event parts are no longer available for a Warranty claim, customer may receive a brand new cabinet at a price equal to 60% off the MSRP of a current comparable model.

WHAT'S NOT COVERED: There is no Warranty coverage for defects or conditions that result from the failure to follow product assembly instructions, information or warnings, misuse or abuse, intentional damage, fire, flood, alteration or modification of the product, or use of the product in a manner inconsistent with its intended use, nor any condition resulting from incorrect or inadequate maintenance, cleaning, care, or neglect, cuts or scratches, caster damage as a result of moving furniture fully loaded or with locked casters, damage resulting from electrical surge or lightning, or use in commercial or education environments. Kangaroo Sewing Furniture is designed for residential use only.

ARROW SHALL HAVE NO LIABILITY for ANY INCIDENTAL OR CONSEQUENTIAL DAMAGES OF ANY KIND and all such damages are EXCLUDED FROM THIS Warranty, such as loss of use, disassembly, transportation, labor, or damage to property on or near the product. Some states do not allow the exclusion or limitation of incidental or consequential damages, so the above limitation or exclusion may not apply to you. The Warranty cannot be transferred to subsequent owners or users of the product, and it shall be immediately void in the event the product is resold, transferred, leased or rented to any third party or person other than the original purchaser.

ADDITIONAL LIMITATIONS: THERE ARE NO OTHER WARRANTIES APPLICABLE TO THIS PRODUCT. Under the laws of certain states, there may be no implied warranties from Arrow and all implied warranties, INCLUDING ANY IMPLIED Warranty OF MERCHANTABILITY OR FITNESS FOR A PARTICULAR PURPOSE are disclaimed where allowed by law. TO THE EXTENT ANY IMPLIED WARRANTIES ARE APPLICABLE, ANY IMPLIED WARRANTIES, INCLUDING ANY IMPLIED Warranty OF MERCHANTABILITY OR FITNESS FOR A PARTICULAR PURPOSE, ARE LIMITED IN DURATION TO THE DURATION OF THIS EXPRESS Warranty or the minimum period allowed by law, whichever is shorter. Some states do not allow limitations on how long an implied Warranty lasts, so the above limitation may not apply to you. This limited Warranty gives you specific legal rights. This limited Warranty does not, in any way, affect the rights given to you by law.

REGISTER YOUR PRODUCT: Original purchaser should register the purchase online at www.ArrowSewing.com/Warranty.

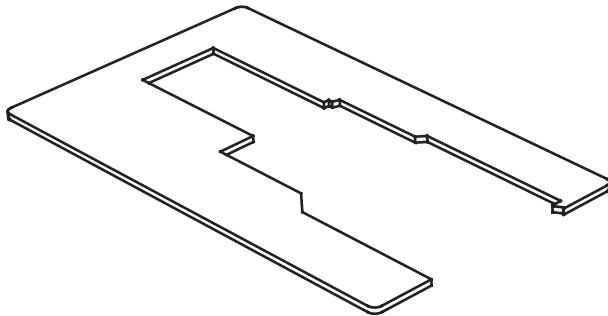
SEW IN COMFORT. SEW LONGER.™



Accessories to Complete Your Sewing Studio

Custom Insert

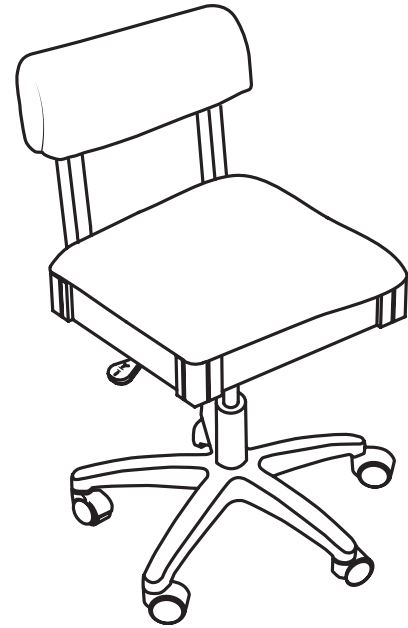
Enhance your sewing experience with a custom acrylic sewing insert! Custom acrylic sewing inserts are designed to fill the gap between your sewing machine and sewing cabinet's lift opening to create a flush, ergonomic surface for flat bed sewing. To ensure a perfect fit, custom acrylic sewing inserts are built specifically for your sewing machine and sewing cabinet combination. Say hello to happy wrists, straighter stitches, and an elevated sewing experience!



Insert

Arrow Sewing Chairs

Arrow's #1 Rated Height Adjustable Sewing Chair is a must have accessory for your dream sewing room! Cute, comfortable and convenient - our lovable sewing chairs feature vibrant sewing themed patterns, 360 swivel access and lumbar support for long hours at your workstation. Don't look now, but under every seat cushion is a hidden storage compartment to store your notions and patterns! Available in 10 colors to perfectly match your sewing sanctuary!



Height Adjustable Sewing Chair

P.O. Box 410 Elkhorn, WI 53121
1-800-533-7347 Ext. 1
CS@ArrowSewing.com
www.ArrowSewing.com

02-22