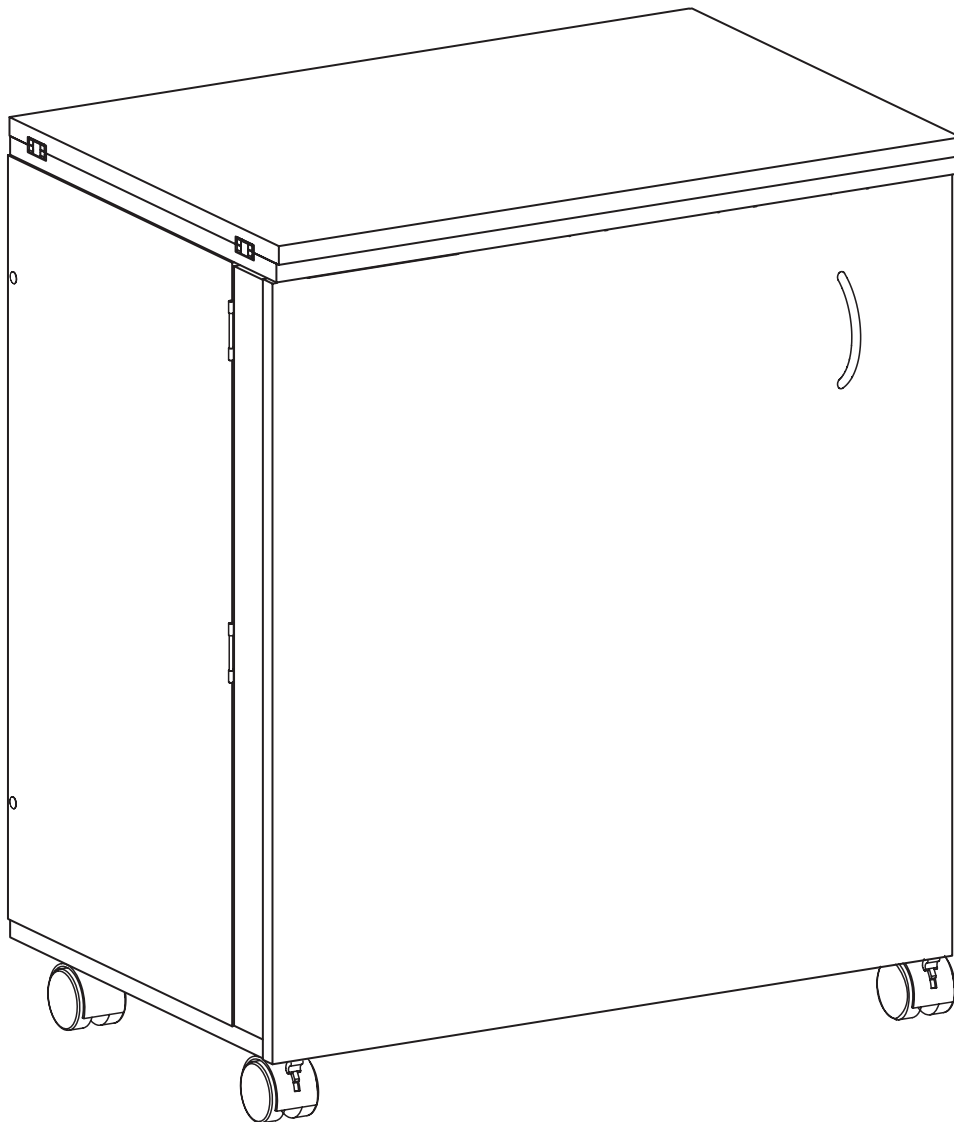


ASSEMBLY INSTRUCTIONS

Judy

ITEM NO.: 101 White
 105 Teak




General Assembly Guidelines

1. Read the instructions carefully before beginning the assembly process to ensure proper assembly of this product. Please open and inspect the contents of box(es) to see that all parts and hardware are included.

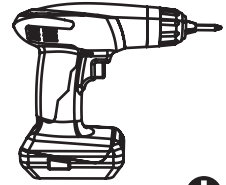
2. Tools Required




Phillips Screwdriver 

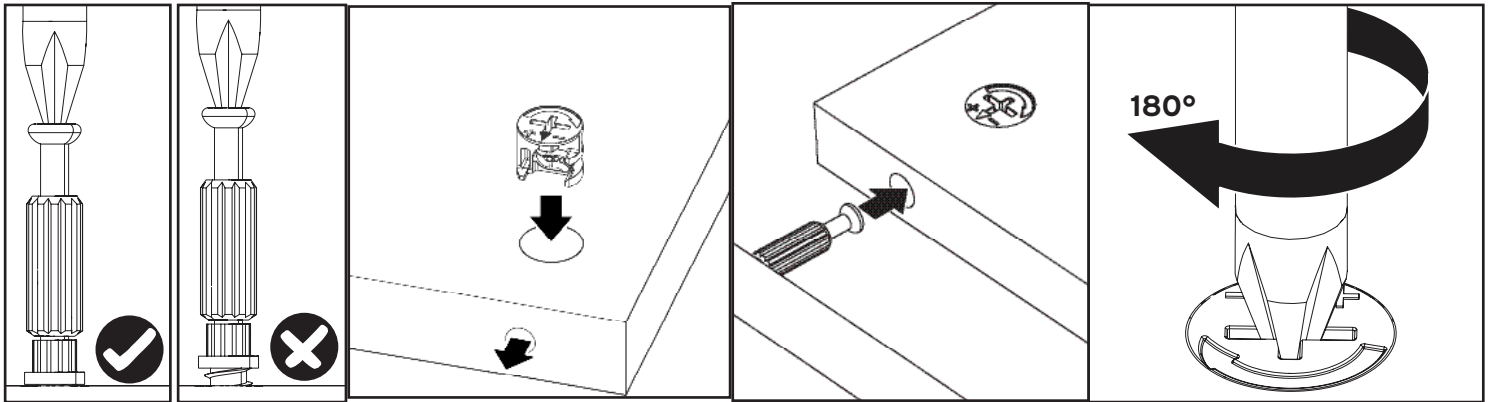


Hammer



Electric Screwdriver 
Torque set to 3-5

3. Understanding How the Cam Fastener Works



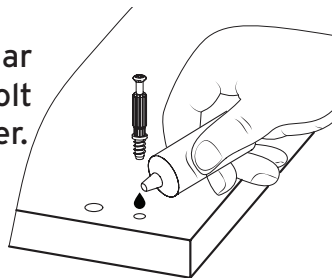
Screw cam bolts flush as illustrated.

Press cam into hole until flush with surface. The arrow direction must be in the direction of the hole.

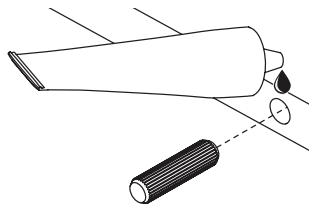
Insert bolt through pre-drilled hole in edge of panel.

Turn clockwise to lock cam with bolt.

Tip: place a small bit of WD-40 or similar lubricant into the pre-installed cam bolt holes to help the cam bolts screw in better.



4. **Glue** provided is to secure wood dowels in place and is optional. If glue is used during assembly, locate the appropriate hole for the dowel, place a small amount of glue in the hole and insert the dowel. Wipe away excess glue immediately. It is not necessary to glue the other end of the dowel when attaching to other parts.

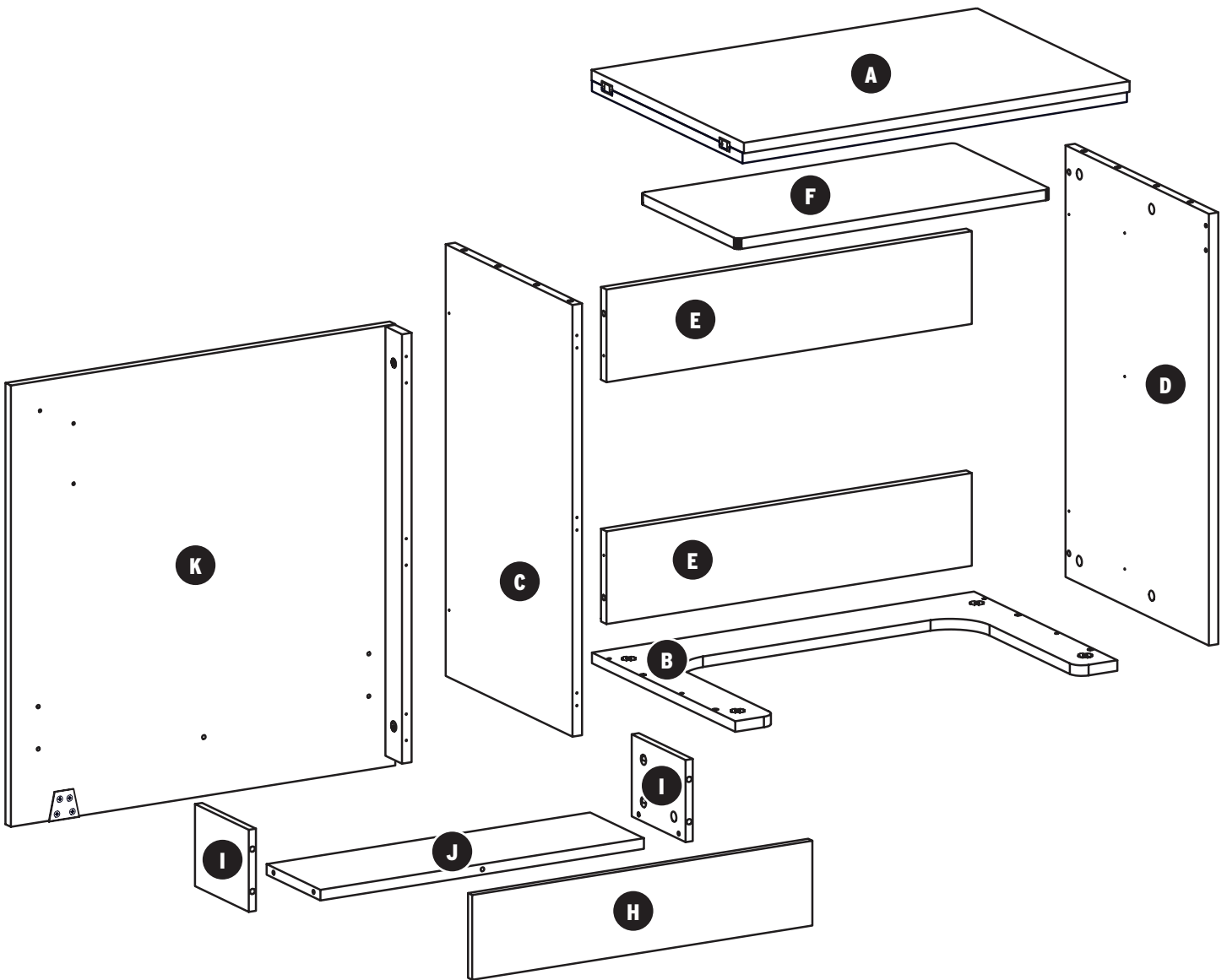


Use and Care Your cabinet normally requires a minimum amount of maintenance; however, the following points are worth noting:

Cleaning - To remove marks and enhance the surface, wipe with a gentle all-purpose cleanser. **DO NOT** use ammonia-based, harsh chemicals or abrasive cleaning agents. Wipe dry immediately.

Electrical and Hydraulic Lifts - Require annual lubrication with WD-40 or similar lubricant.

Parts List: Panels

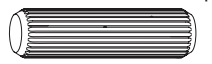


ITEM	DESCRIPTION	QTY.	PACK.
A	Top Panel	1	1 of 1
B	Bottom Panel	1	1 of 1
C	Left Side Panel	1	1 of 1
D	Right Side Panel	1	1 of 1
E	Back Panels	2	1 of 1
F	Platform	1	1 of 1
H	Door Bin Front Panel	1	1 of 1
I	Door Bin Sides	2	1 of 1
J	Door Bin Bottom	1	1 of 1
K	Door	1	1 of 1
	Hardware		1 of 1

Parts List: Hardware



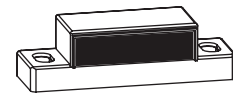
Cam Bolt **x16**



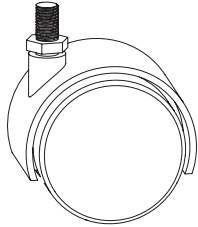
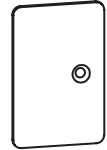
8x30 Dowel Pin **x12**



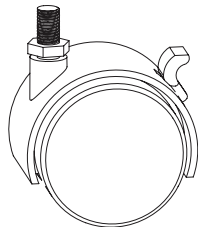
6x30 Dowel Pin **x6**



Magnet and Catch Plate Set **x1**



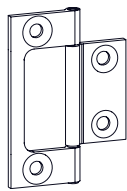
50mm Non-Locking Caster **x3**



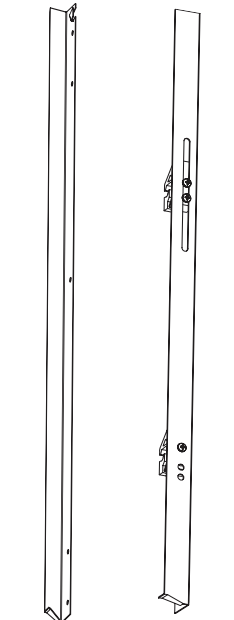
50mm Locking Caster **x2**



Caster Washer **x4**

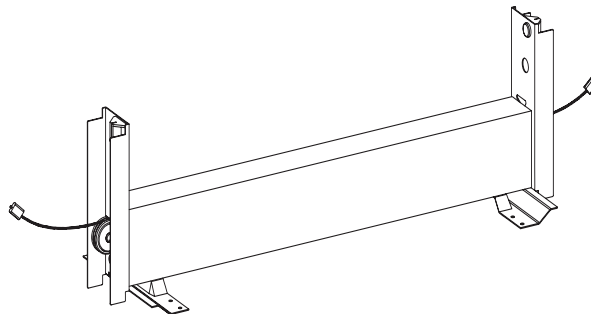


Flush Hinge **x3**

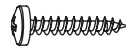


Lift Rail
(Left) **x1**

Lift Rail
(Right) **x1**



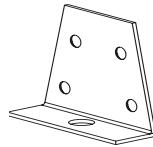
Lift **x1**



5x5/8 Panhead Screw **x2**



12mm Cam Lock **x8**



Caster Bracket **x1**



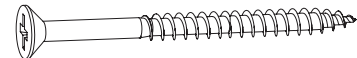
Cover Cap **x4**



5x3/8 Brass Flathead Screw **x1**



10mm Cam Lock **x8**



10x60mm Screw **x4**



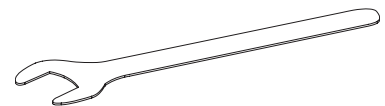
4x14 Screw **x26**



Handle **x1**



Fix Bolt **x2**



Wrench **x1**

* A special note about cam locks and dowel pins: There are two sizes of cam locks and dowel pins provided.

The taller 12mm cam locks and wider 8x30 dowel pins will be used in the side panels of the cabinet; the shorter 10mm cam locks and narrower 6x30 dowel pins will be used to assemble the door bin.

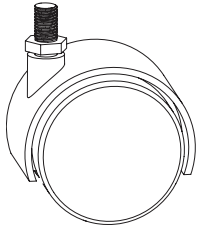
These two sizes of cam locks and dowels are not interchangeable. Be sure to keep them separated during assembly to ensure the correct size is being used.

Step 1: Cabinet Shell

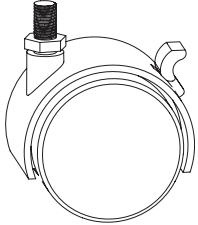
Attach 2 **Locking Casters** with **Washers** to the front edge of **Panel B**.

Attach 2 **Non-Locking Casters** with **Washers** to the back edge of **Panel B**.

Tighten with **Wrench**. Flip **Panel B** over.



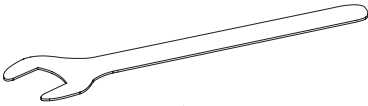
50mm Non-Locking Caster **x2**



50mm Locking Caster **x2**



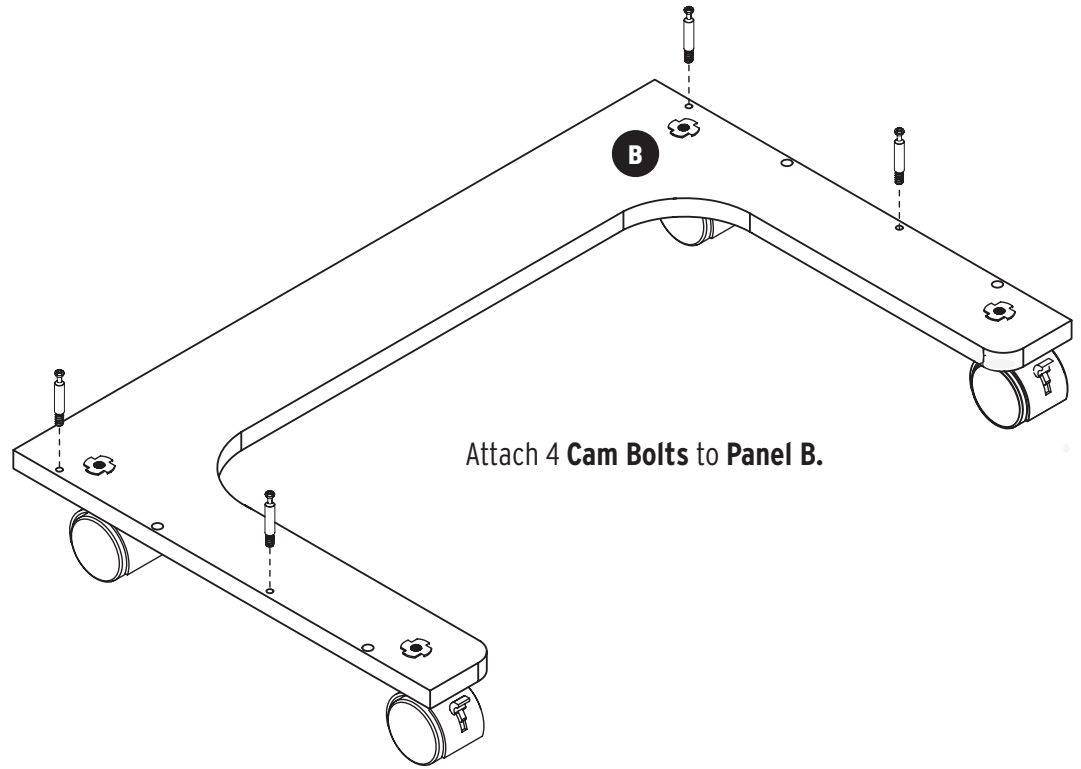
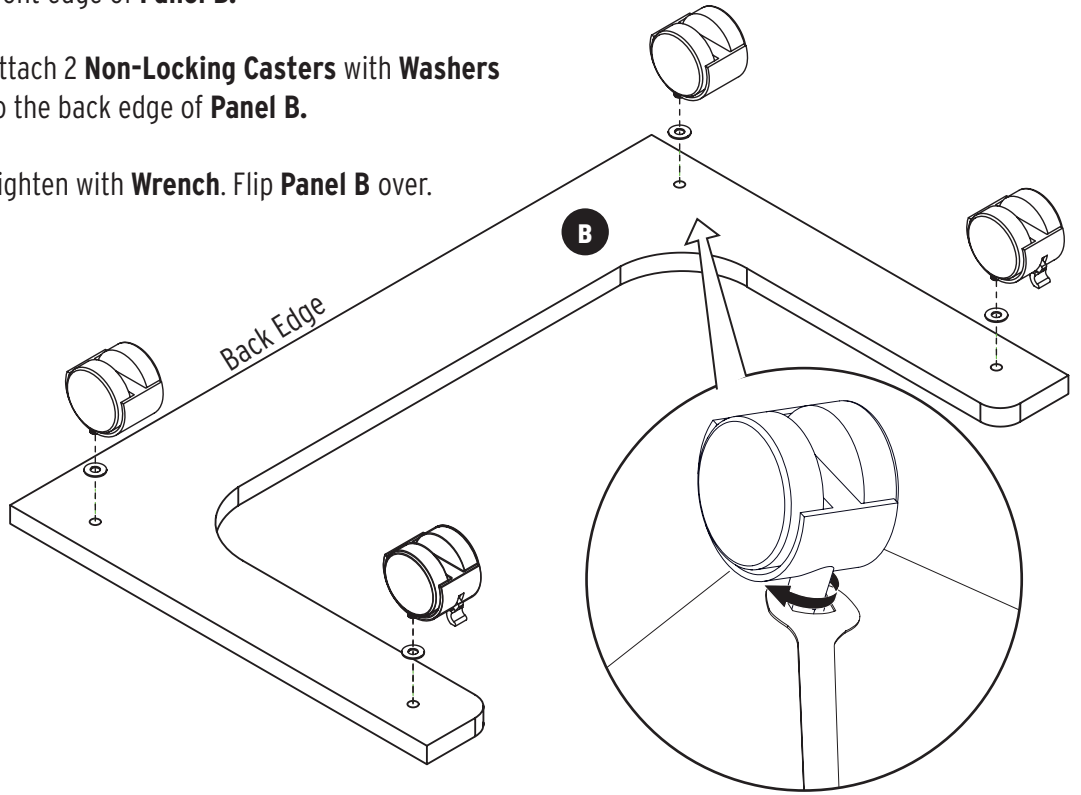
Caster Washer **x4**



Wrench **x1**

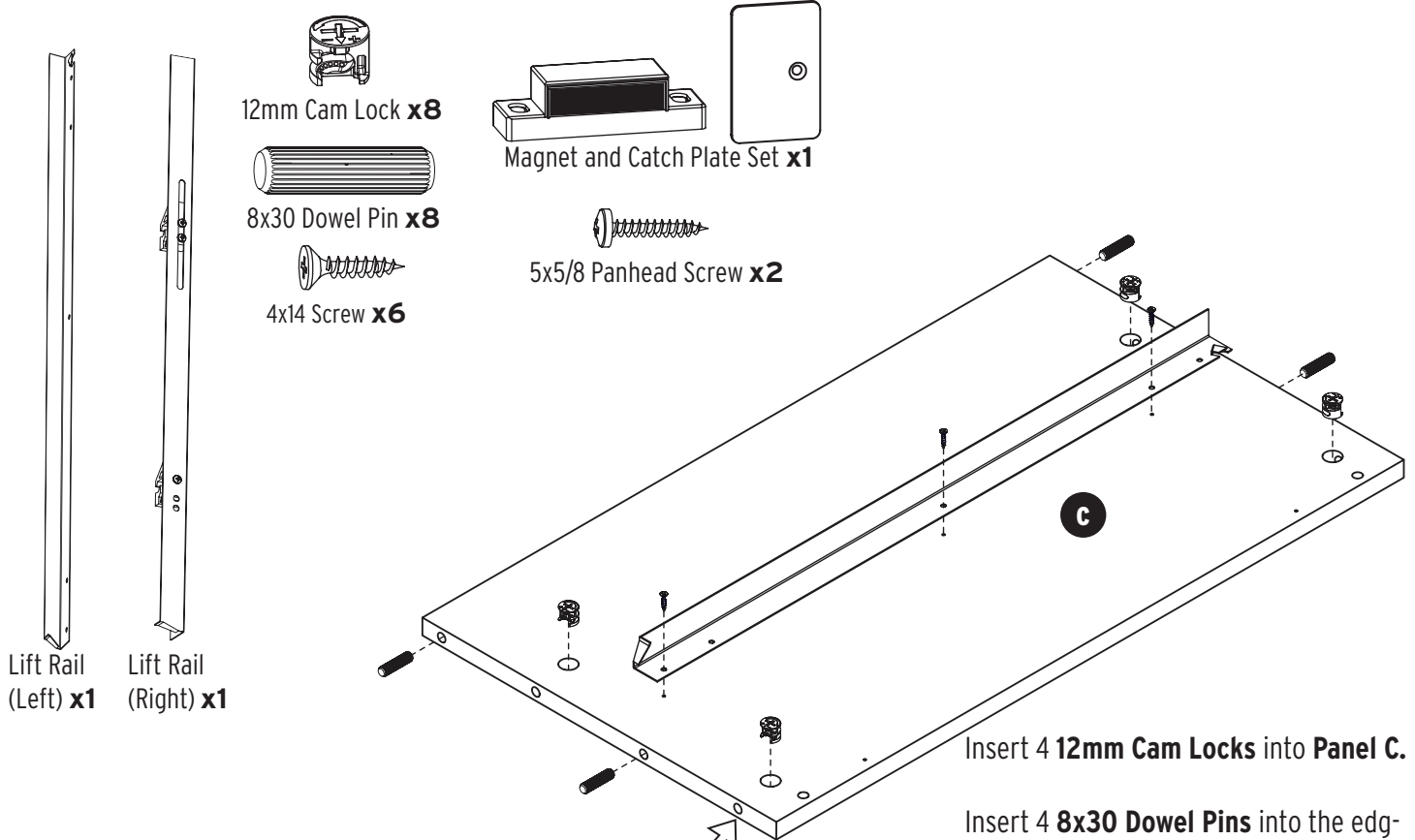


Cam Bolt **x4**


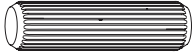





Attach 4 **Cam Bolts** to **Panel B**.

Step 1: Cabinet Shell



Lift Rail (Left) **x1**
Lift Rail (Right) **x1**

-  12mm Cam Lock **x8**
-  8x30 Dowel Pin **x8**
-  4x14 Screw **x6**

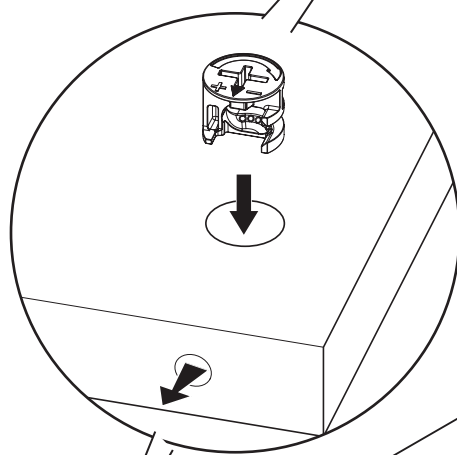
-  Magnet and Catch Plate Set **x1**
-  5x5/8 Panhead Screw **x2**

Insert 4 **12mm Cam Locks** into **Panel C**.

Insert 4 **8x30 Dowel Pins** into the edges of **Panel C**.

Attach **Lift Rail (Left)** to **Panel C** with **4x14 Screws**.

TIP: Spray a small amount of WD-40 or similar lubricant onto a paper towel and wipe the newly installed rails. This will make lift installation and operation easier.



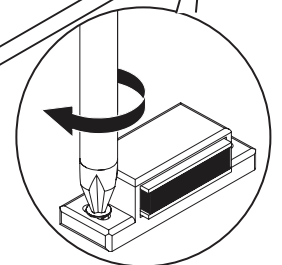
Insert 4 **Cam Locks** into **Panel D**.

Insert 4 **8x30 Dowel Pins** into the edges of **Panel D**.

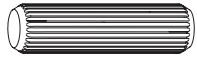
Attach **Lift Rail (Right)** to **Panel D** with **4x14 Screws**.

Attach **Magnet** with **5x5/8 Panhead Screws**.

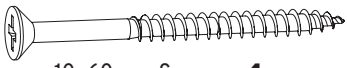
Set aside **Magnet Catch Plate** for later use.



Step 1: Cabinet Shell



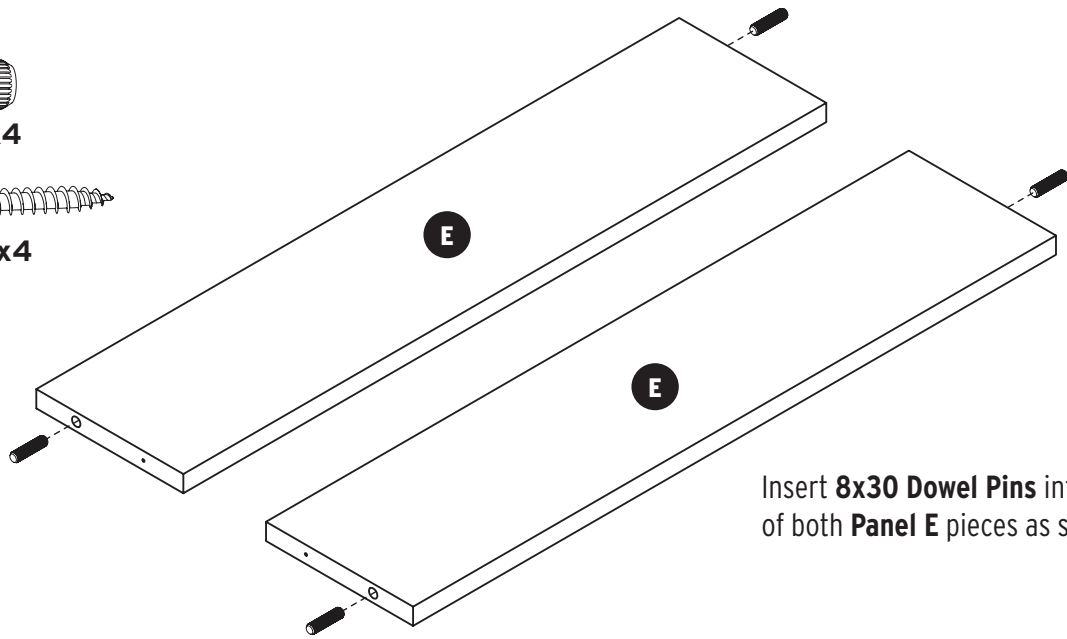
8x30 Dowel Pin **x4**



10x60mm Screw **x4**



Cover Cap **x4**

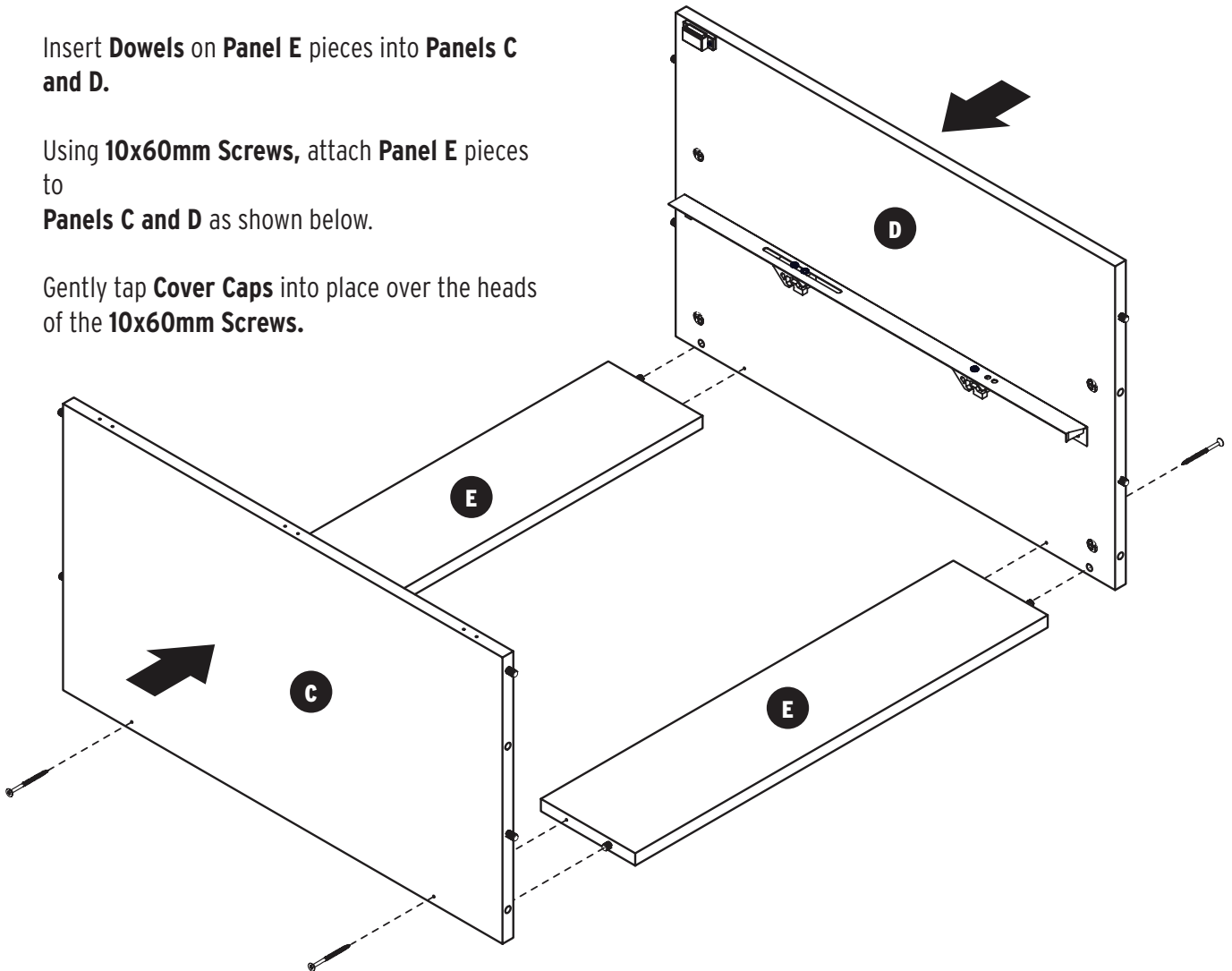


Insert **8x30 Dowel Pins** into edges of both **Panel E** pieces as shown.

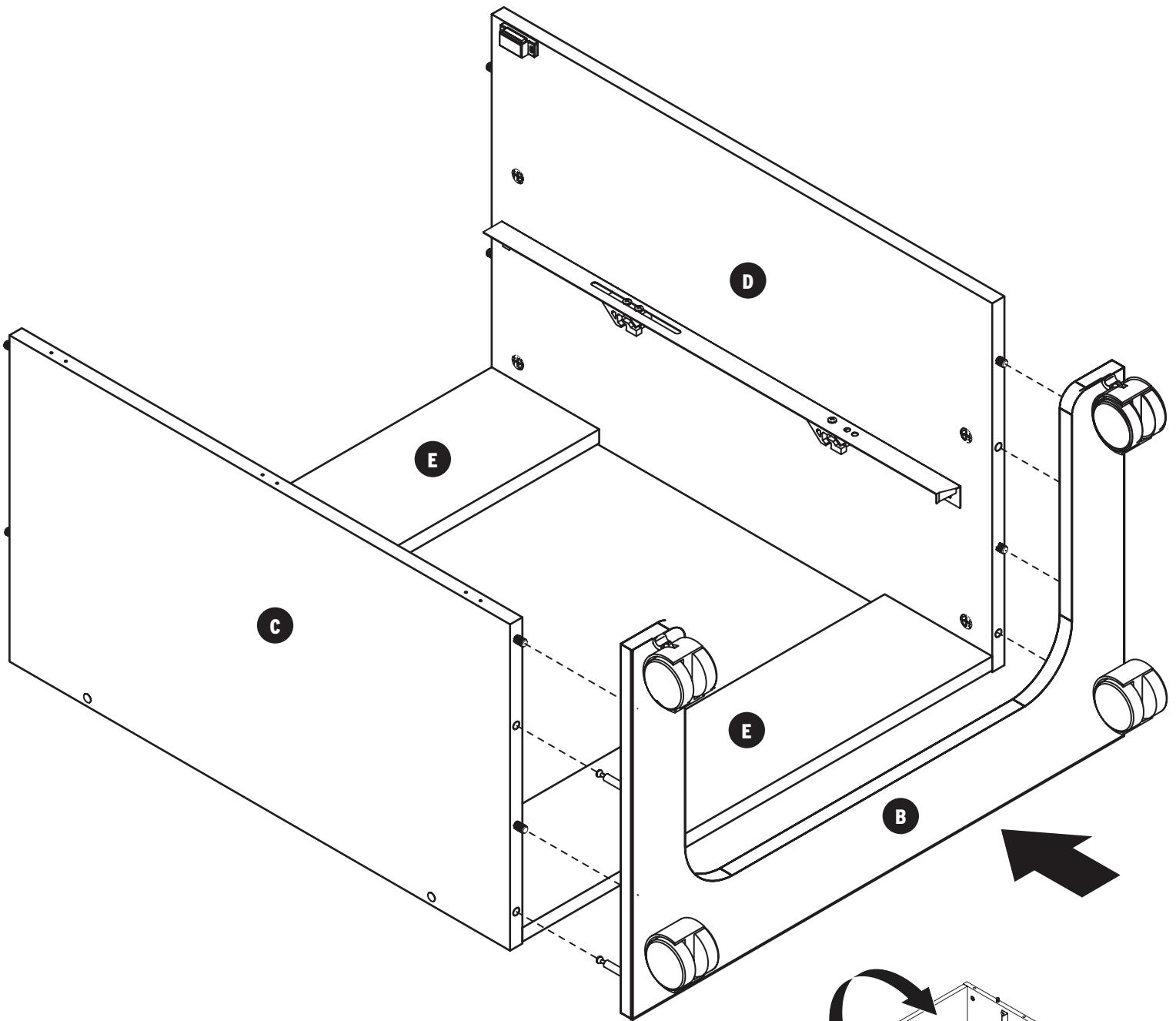
Insert **Dowels** on **Panel E** pieces into **Panels C and D**.

Using **10x60mm Screws**, attach **Panel E** pieces to **Panels C and D** as shown below.

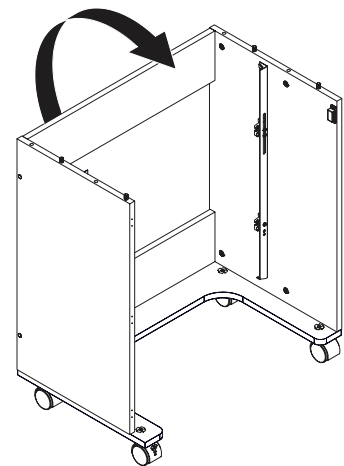
Gently tap **Cover Caps** into place over the heads of the **10x60mm Screws**.



Step 1: Cabinet Shell



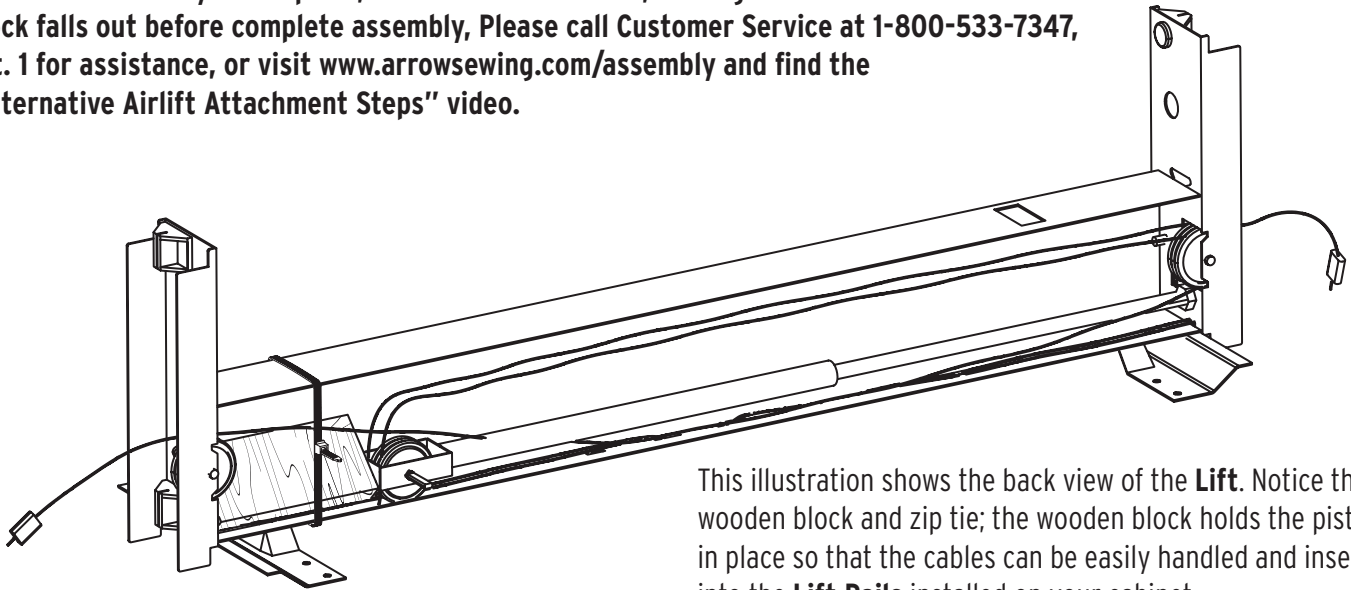
Attach **Panel B** as shown. Tighten **Cam Locks** and apply **Cam Covers**.
Lock casters and flip Cabinet onto its wheels.



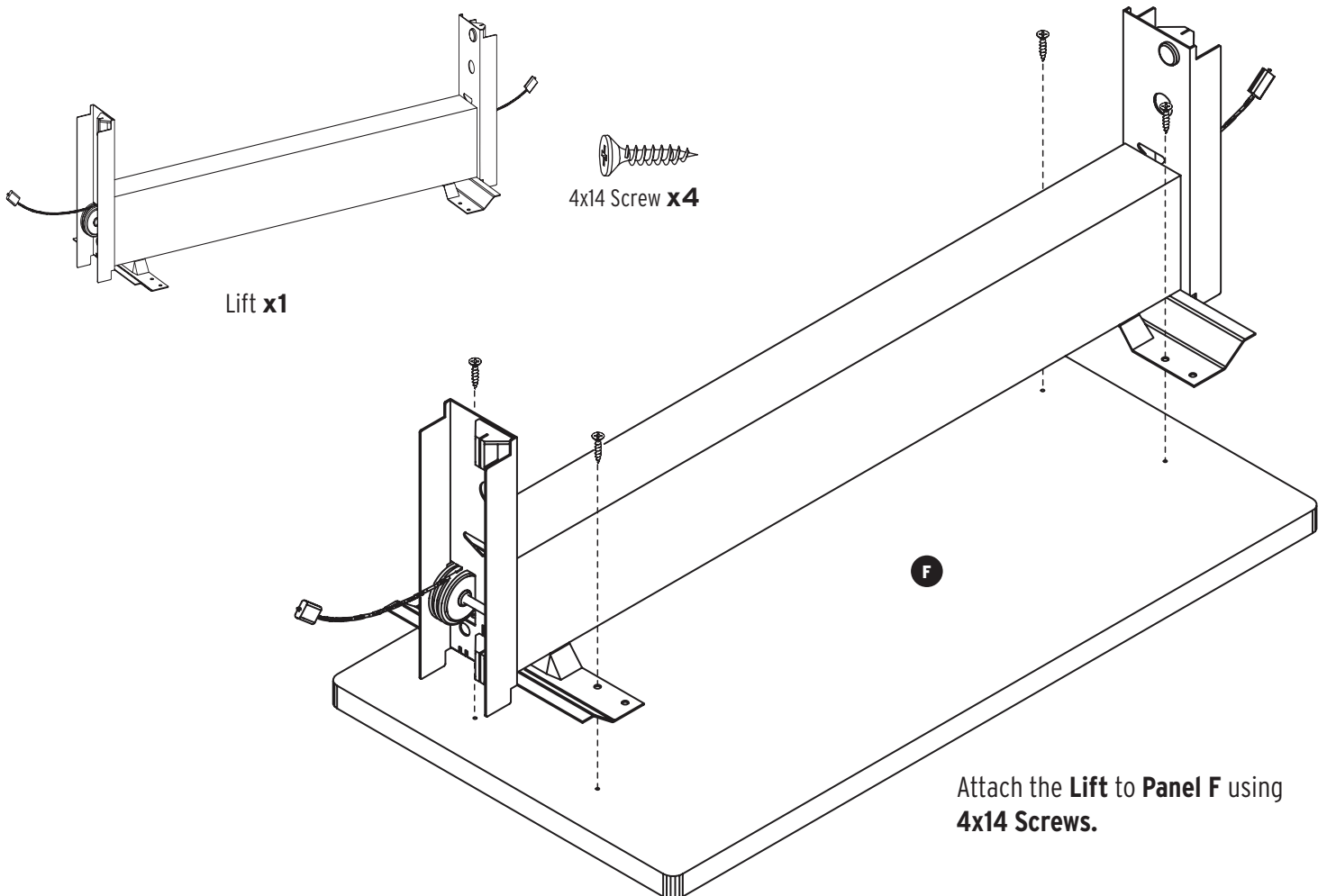
Step 2: Lift and Top

LIFT INSTALLATION WARNING:

DO NOT remove the small wooden block from the Lift until assembly is complete. If the block is removed or falls out before lift assembly is complete, the cables will retract, making installation more difficult. If the block falls out before complete assembly, Please call Customer Service at 1-800-533-7347, ext. 1 for assistance, or visit www.arrowsewing.com/assembly and find the "Alternative Airlift Attachment Steps" video.

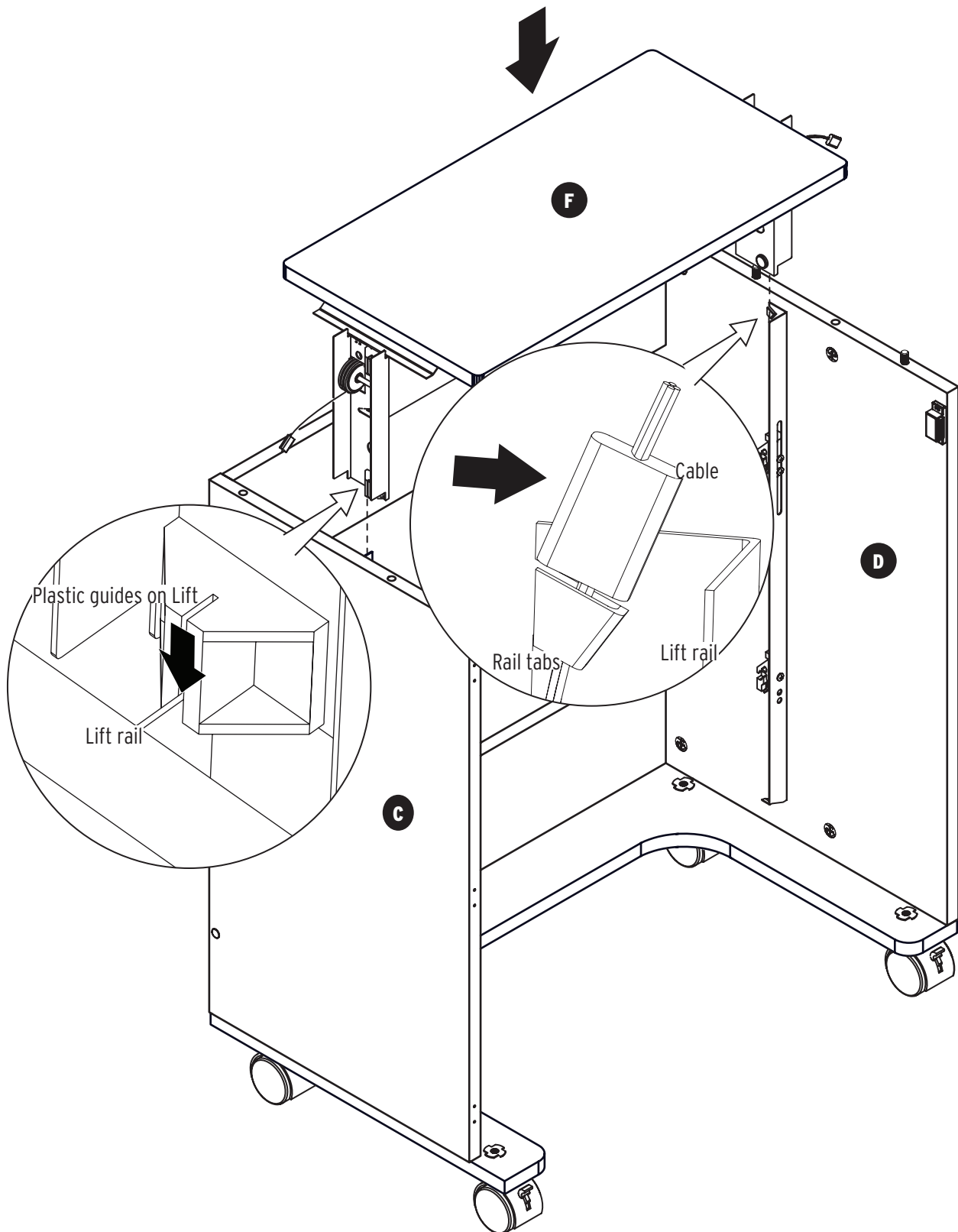


This illustration shows the back view of the **Lift**. Notice the wooden block and zip tie; the wooden block holds the piston in place so that the cables can be easily handled and inserted into the **Lift Rails** installed on your cabinet.



Attach the **Lift** to **Panel F** using **4x14 Screws**.

Step 2: Lift and Top

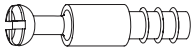


Guide **Lift** onto **Lift Rails** using plastic guides. Insert ends of cable into rail tabs; make sure the cable is hooked into the rail tabs on both sides.

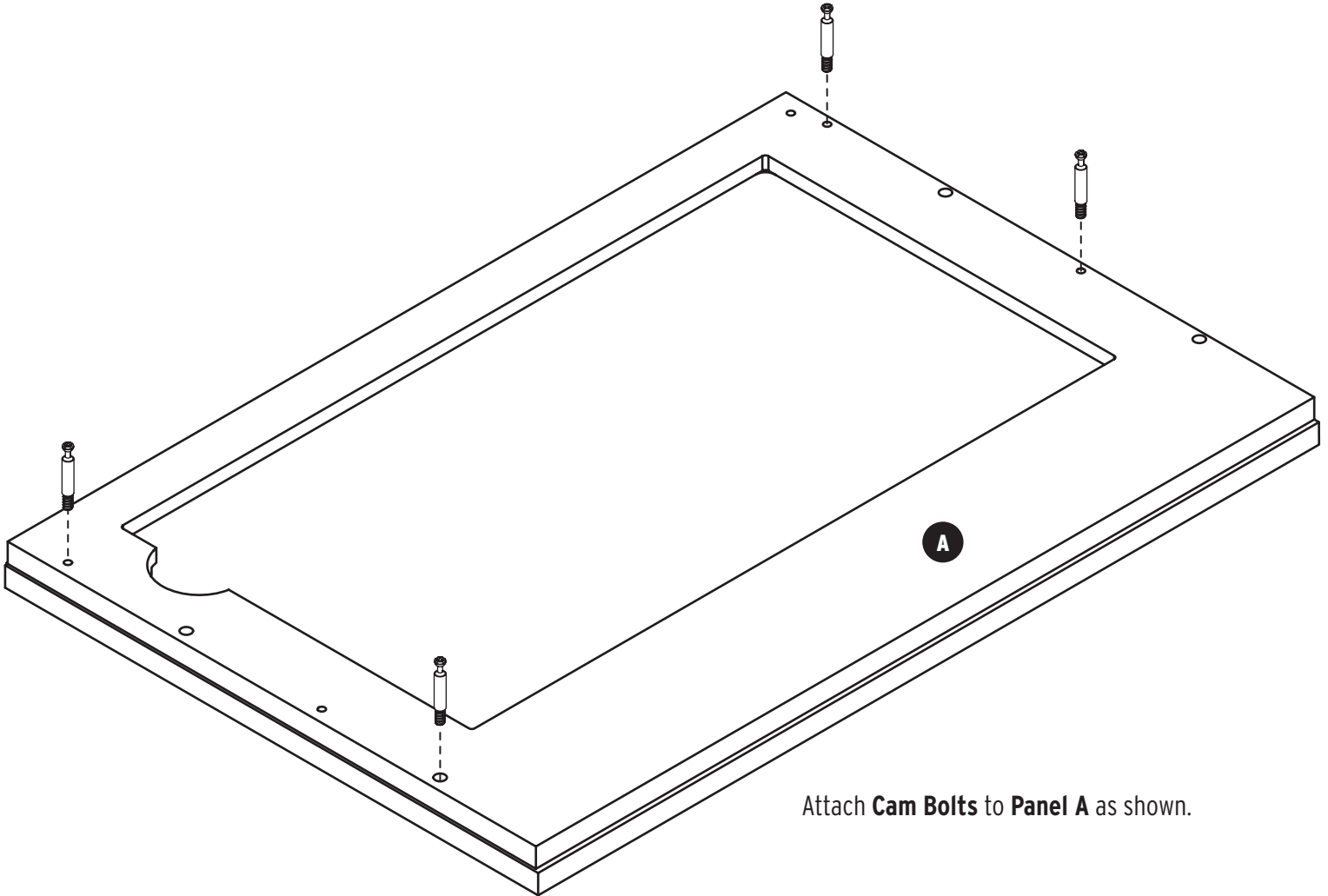
Cut the zip tie on the wooden block, but **DO NOT** remove the block yet.

Lower the **Lift** to first lock position and remove the wooden block. **DO NOT ADJUST LIFT POSITION** until the top is installed, or you risk the Lift coming out and cables becoming disengaged.

Step 2: Lift and Top

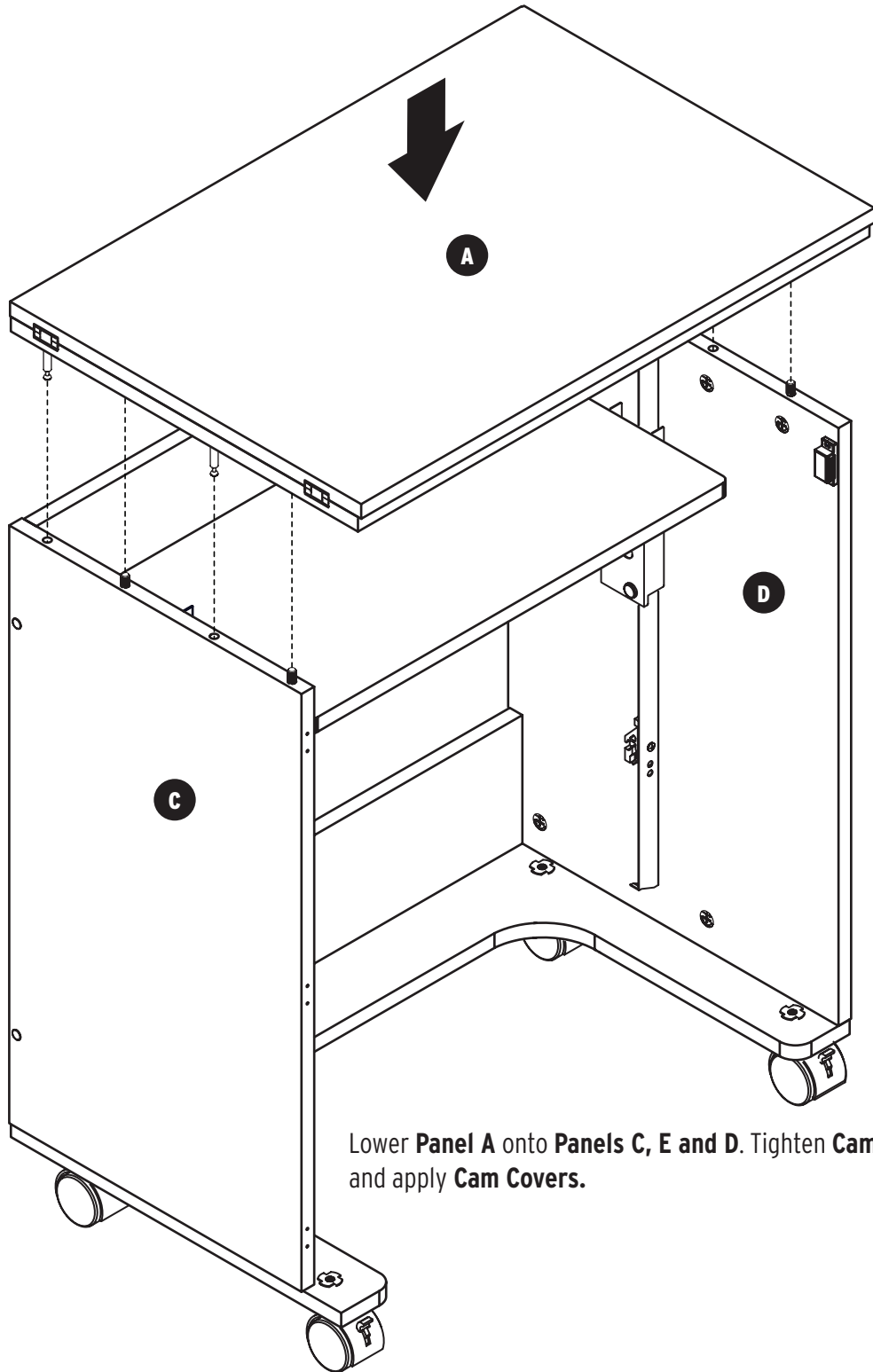


Cam Bolt **x4**



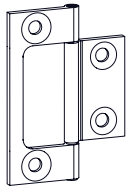
Attach **Cam Bolts** to **Panel A** as shown.

Step 2: Lift and Top

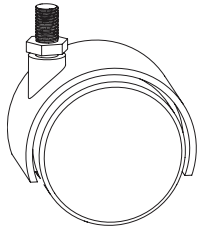


Lower **Panel A** onto **Panels C, E and D**. Tighten **Cam Locks** and apply **Cam Covers**.

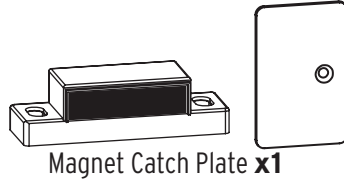
Step 3: Door



Flush Hinge **x3**



50mm Non-Locking Caster **x1**



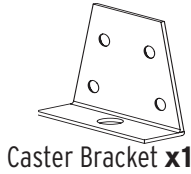
Magnet Catch Plate **x1**



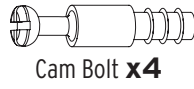
5x3/8 Brass Flathead Screw **x1**



4x14 Screw **x10**



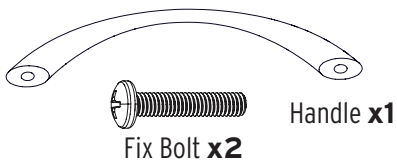
Caster Bracket **x1**



Cam Bolt **x4**



Wrench **x1**



Handle **x1**
Fix Bolt **x2**

Attach **Magnet Catch Plate** to **Panel K** using **Brass Flathead Screw**.

Attach **Flush Hinges** to **Panel K** as shown, using **4x14 Screws**.

Attach **Cam Bolts** to **Panel K**.

Attach **Handle** to **Panel K** using **Fix Bolts**.

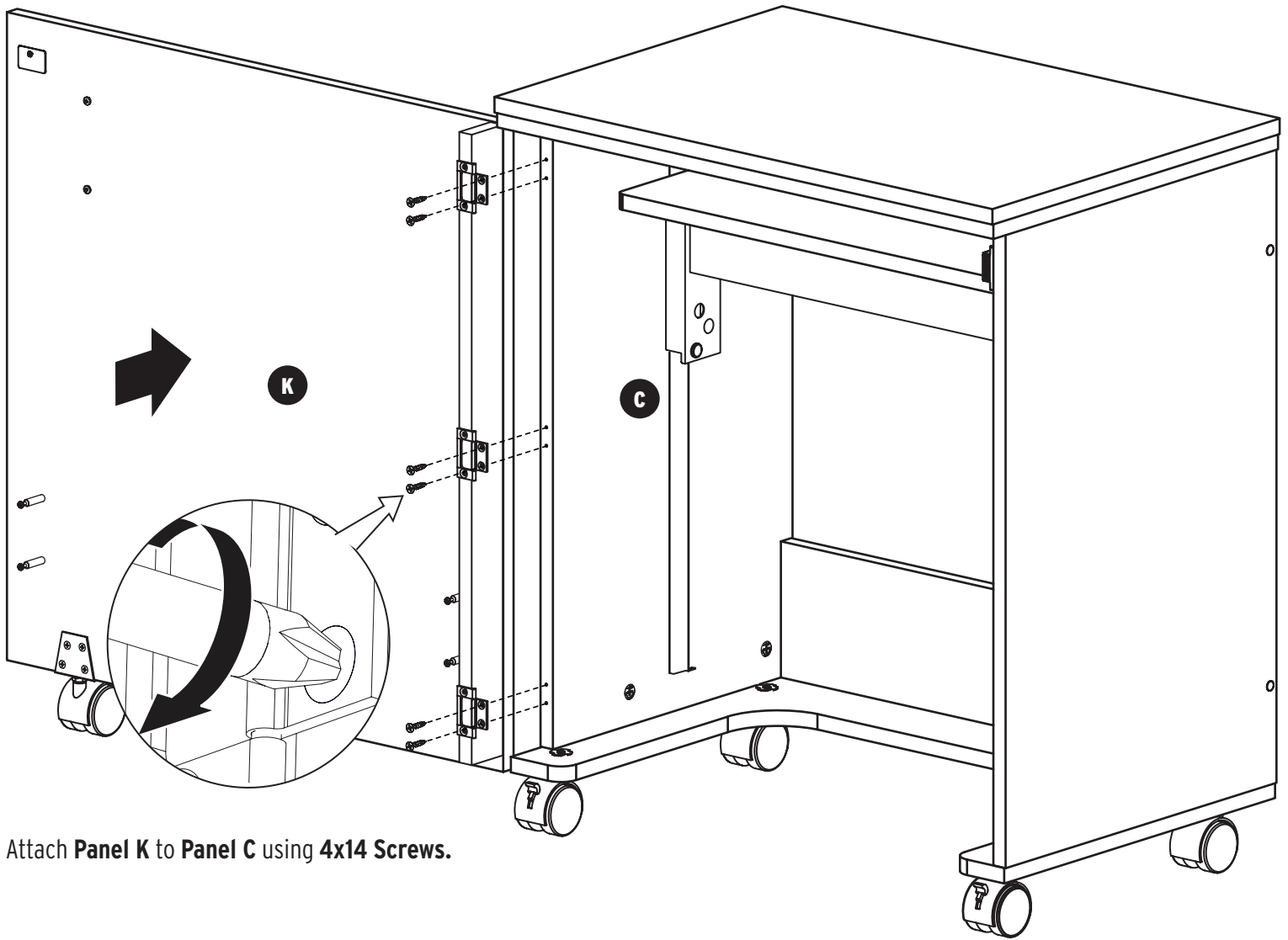
Attach **Caster Bracket** to **Panel K** using **4x14 Screws**.

Insert **Caster** into **Caster Bracket** and tighten with **Wrench**.

Step 3: Door



4x14 Screw **x6**



Attach **Panel K** to **Panel C** using **4x14 Screws**.

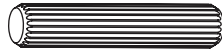
Step 3: Door



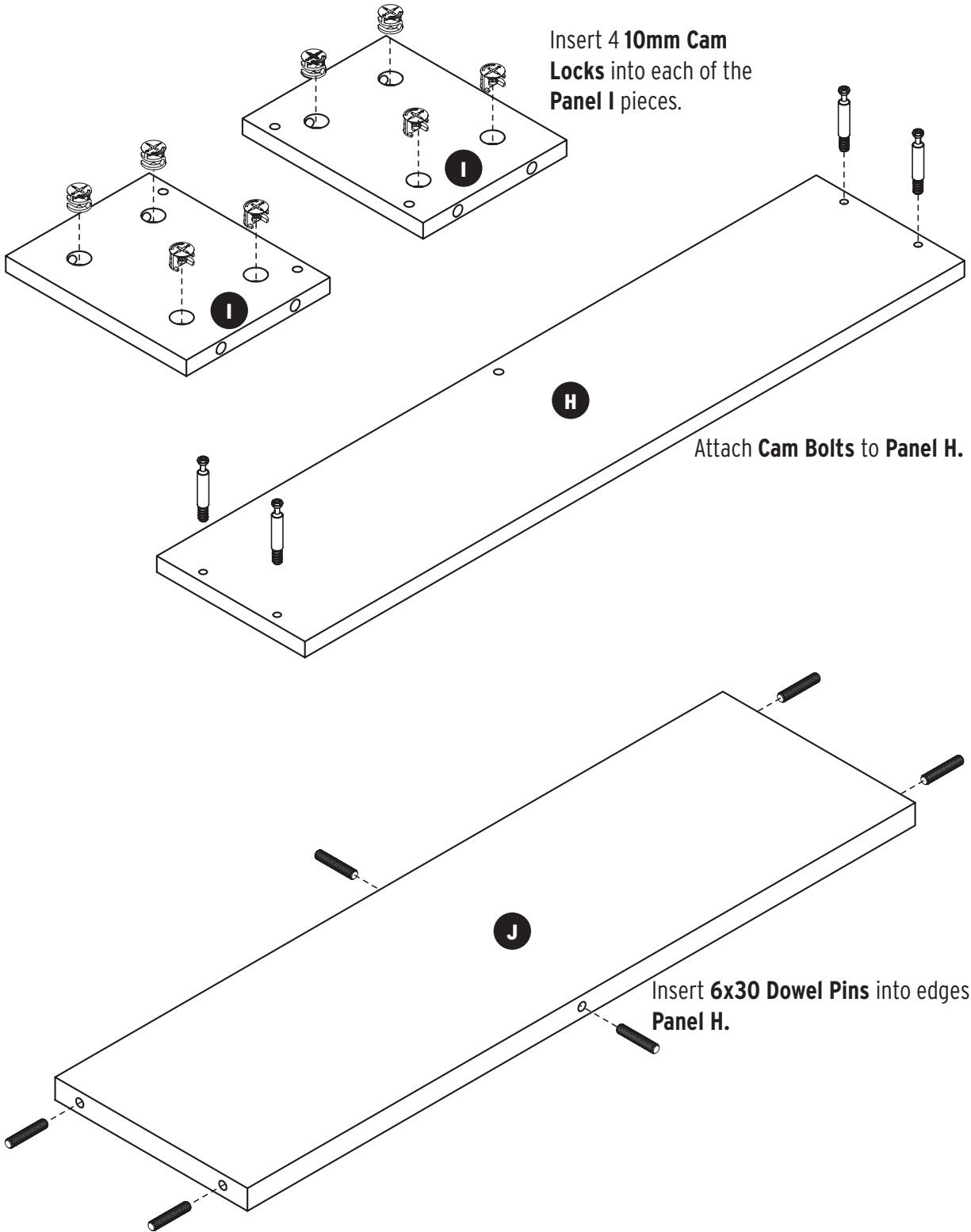
10mm Cam Lock **x8**



Cam Bolt **x4**



6x30 Dowel Pin **x6**

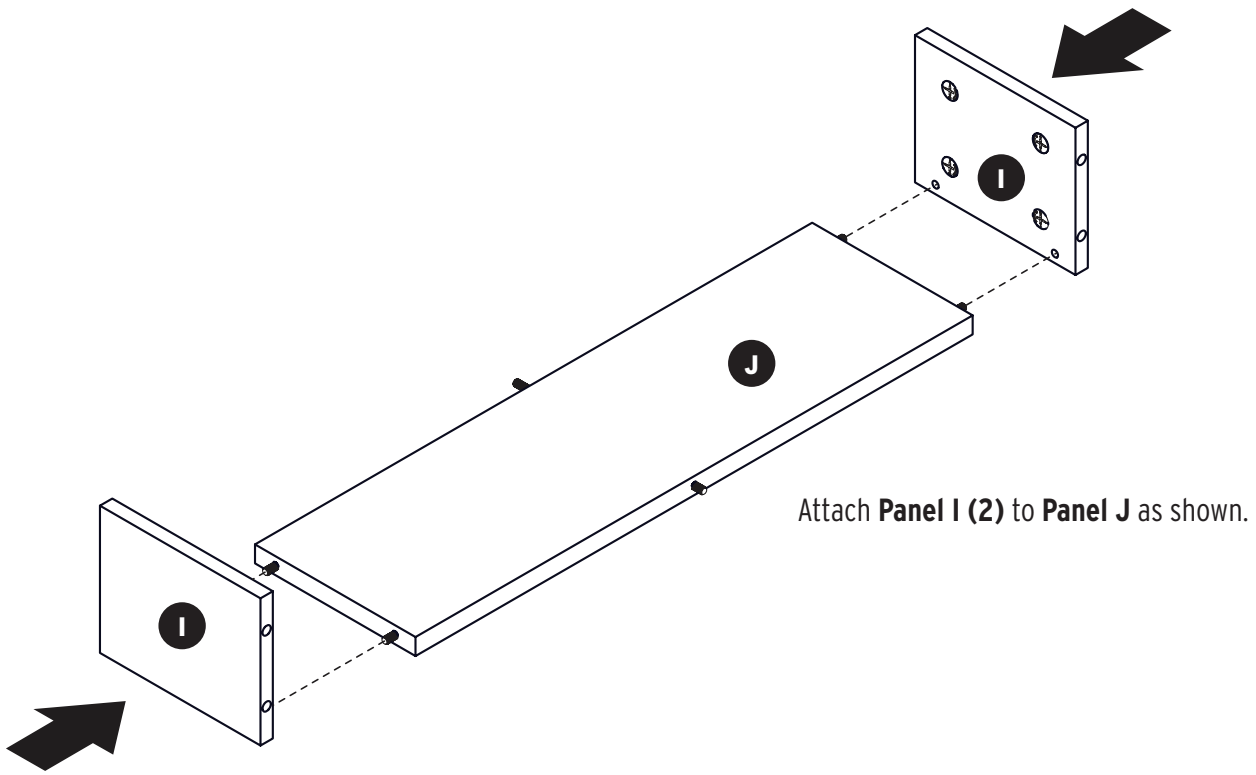


Insert 4 **10mm Cam Locks** into each of the **Panel I** pieces.

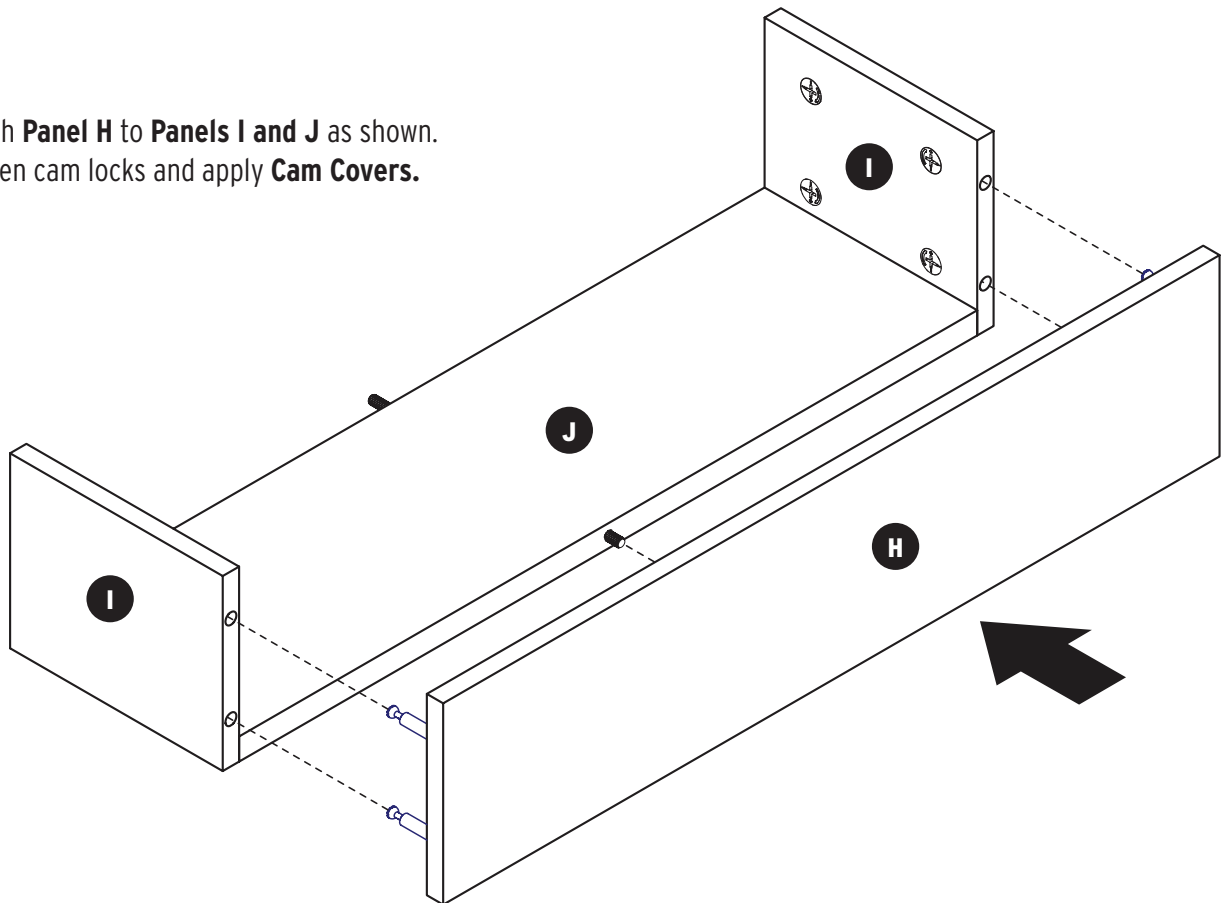
Attach **Cam Bolts** to **Panel H**.

Insert **6x30 Dowel Pins** into edges of **Panel H**.

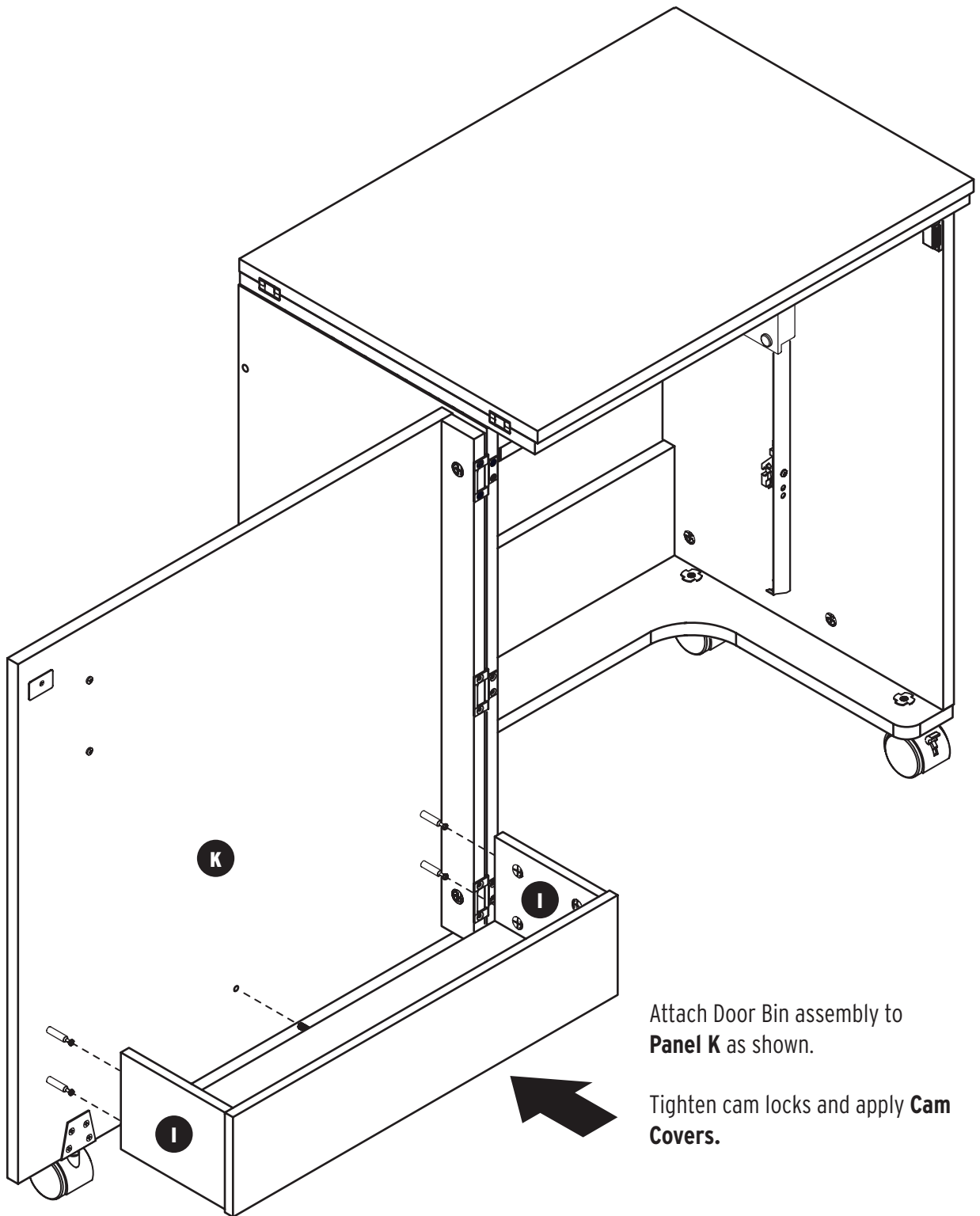
Step 3: Door



Attach **Panel H** to **Panels I and J** as shown.
Tighten cam locks and apply **Cam Covers**.



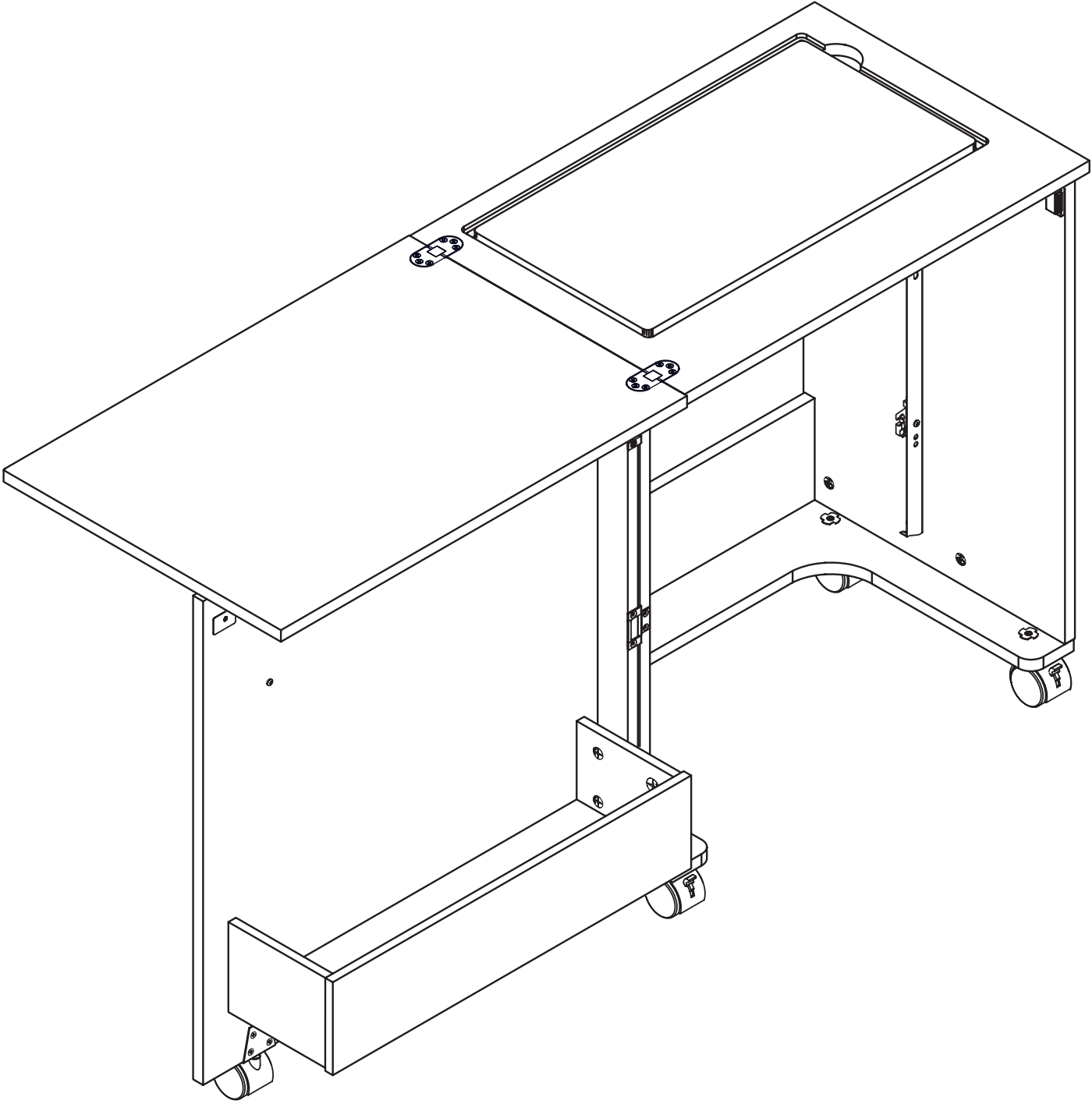
Step 3: Door



Attach Door Bin assembly to **Panel K** as shown.

Tighten cam locks and apply **Cam Covers**.

Completed Judy Sewing Cabinet



Congratulations! A better sewing experience awaits!



LIMITED WARRANTY

Arrow Classic Sewing Furniture 10-Year Warranty

WHAT THIS WARRANTY COVERS: Arrow Companies, LLC (Arrow) provides limited warranty coverage to the original purchaser of this product against defects in materials or workmanship of Arrow furniture components for a period of ten years from the date of purchase. As used in this Warranty, "defect" means imperfections in components which substantially impair the utility of the product. This Warranty gives you specific legal rights, and you may also have other rights which vary from state to state.

HOW TO GET SERVICE: Simply contact Arrow at 1-800-533-7347 or CS@ArrowSewing.com. When you request warranty service, you must also present proof of purchase documentation, which includes the date of purchase (detailed receipt), and photos of the product. Arrow will replace any defective part (at its sole option), excluding labor. Replacement parts will be warranted for only the remaining period of the original Warranty.

Replacement parts will be shipped freight prepaid on any initial warranty claim during first year of Warranty only. Warranty applies only to defects confirmed by Arrow Companies, LLC and will be replaced or repaired at Arrow's option. In the event parts are no longer available for a warranty claim, customer may receive brand new cabinet at a price equal to 60% off the MSRP of a current comparable model.

WHAT'S NOT COVERED: There is no warranty coverage for defects or conditions that result from the failure to follow product assembly instructions, information or warnings, misuse or abuse, intentional damage, fire, flood, alteration or modification of the product, or use of the product in a manner inconsistent with its intended use, nor any condition resulting from incorrect or inadequate maintenance, cleaning, or care, or neglect, cuts or scratches. Caster damage as a result of moving furniture fully loaded or with locked casters. Damage resulting from electrical surge or lightning. Use in commercial or education environments. Arrow Sewing Furniture is designed for residential use only.

ARROW SHALL HAVE NO LIABILITY for ANY INCIDENTAL OR CONSEQUENTIAL DAMAGES OF ANY KIND and all such damages are EXCLUDED FROM THIS WARRANTY, such as loss of use, disassembly, transportation, labor or damage to property on or near the product. Some states do not allow the exclusion or limitation of incidental or consequential damages, so the above limitation or exclusion may not apply to you. The Warranty cannot be transferred to subsequent owners or users of the product, and it shall be immediately void in the event the product is resold, transferred, leased or rented to any third party or person other than the original purchaser.

ADDITIONAL LIMITATIONS: THERE ARE NO OTHER WARRANTIES APPLICABLE TO THIS PRODUCT. Under the laws of certain states, there may be no implied warranties from Arrow and all implied warranties, INCLUDING ANY IMPLIED WARRANTY OF MERCHANTABILITY OR FITNESS FOR A PARTICULAR PURPOSE are disclaimed where allowed by law. TO THE EXTENT ANY IMPLIED WARRANTIES ARE APPLICABLE, ANY IMPLIED WARRANTIES, INCLUDING ANY IMPLIED WARRANTY OF MERCHANTABILITY OR FITNESS FOR A PARTICULAR PURPOSE, ARE LIMITED IN DURATION TO THE DURATION OF THIS EXPRESS WARRANTY or the minimum period allowed by law, whichever is shorter. Some states do not allow limitations on how long an implied Warranty lasts, so the above limitation may not apply to you. This limited warranty gives you specific legal rights. This limited warranty does not, in any way, affect the rights given to you by law.

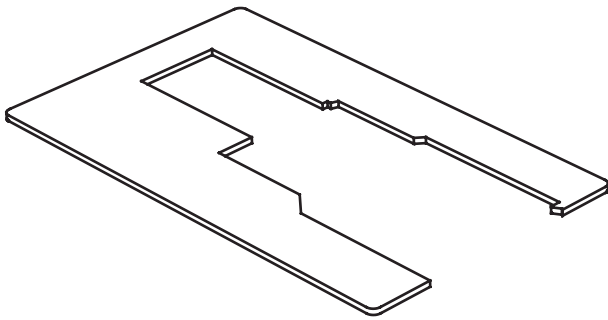
REGISTER YOUR PRODUCT: Original purchaser should register the purchase online at www.ArrowSewing.com/warranty.

COMPLETE YOUR SEWING STUDIO!

Elevate your sewing experience with Arrow's Best-Selling Accessories!

Custom Sewing Inserts

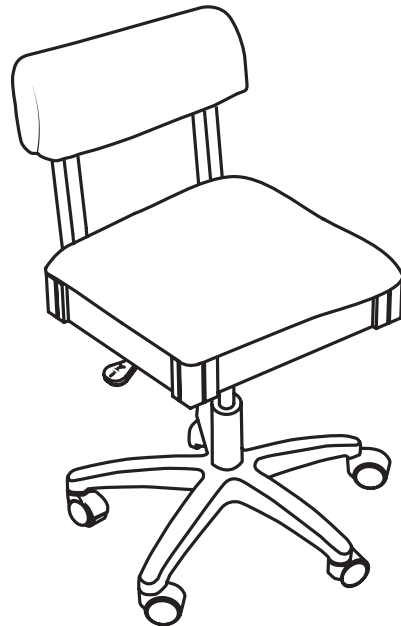
Enhance your sewing experience with a custom acrylic sewing insert! Custom acrylic sewing inserts are designed to fill the gap between your sewing machine and sewing cabinet's lift opening to create a flush, ergonomic surface for flat bed sewing. To ensure a perfect fit, custom acrylic sewing inserts are built specifically for your sewing machine and sewing cabinet combination. Say hello to happy wrists, straighter stitches, and an elevated sewing experience!



Custom Sewing Insert

Sewing Chairs

Arrow's #1 Rated Height Adjustable Sewing Chair is a must have accessory for your dream sewing room! Cute, comfortable and convenient - our lovable sewing chairs feature vibrant sewing themed patterns, 360° swivel access and lumbar support for long hours at your workstation. Don't look now, but under every seat cushion is a hidden storage compartment to store your notions and patterns! Available in 10 colors to perfectly match your sewing sanctuary!



Height Adjustable Sewing Chair