

Deb Tucker's

# Eighth Inch Wing Clipper

## Basic Instructions

A Trim Down Tool for Traditional Flying Geese Units

High Precision ♦ 8 Different Sizes  
Right and Left Handed Instructions  
Free Video Demonstrations

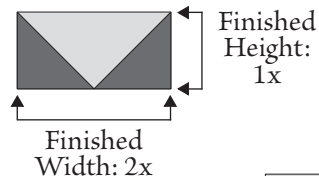
Studio 180  
*Design*

Studio180Design.net

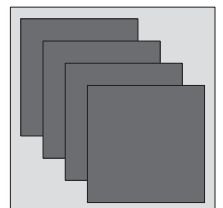
## Eighth Inch Wing Clipper® Basic Instructions

The Eighth Inch Wing Clipper® is used to create traditional Flying Geese units. The finished size of these units will be twice as wide as they are tall. The construction method uses one large and four small squares to make four Flying Geese at a time. The large square becomes the four large triangles in your Flying Geese, and the four smaller squares become the eight side triangles. Once the Flying Geese are sewn, the Eighth Inch Wing Clipper® tool is used to trim each to its exact size, with the seams going directly into the corners. This is a terrific way to make precise units quickly and accurately!

### Flying Geese Unit Basics



**Starting Squares:**  
1 Large, 4 Small



# Eighth Inch Wing Clipper® Cutting Chart

Finished Size of Flying Geese	Cut Size of Flying Geese	Tool Section for Trimming	Cut Size of Large Squares	Cut Size of Small Squares
5/8" x 1 1/4"	1 1/8" x 1 3/4"	1	2 3/4"	1 3/4"
7/8" x 1 3/4"	1 3/8" x 2 1/4"	2	3 3/4"	2"
1 1/8" x 2 1/4"	1 5/8" x 2 3/4"	1	3 3/4"	2 1/4"
1 3/8" x 2 3/4"	1 7/8" x 3 1/4"	2	4 1/4"	2 1/2"
1 5/8" x 3 1/4"	2 1/8" x 3 3/4"	1	4 3/4"	2 3/4"
1 7/8" x 3 3/4"	2 3/8" x 4 1/4"	2	5 1/4"	3"
2 1/8" x 4 1/4"	2 5/8" x 4 3/4"	1	5 3/4"	3 1/4"
2 3/8" x 4 3/4"	2 7/8" x 5 1/4"	2	6 1/4"	3 1/2"

## Flying Geese Construction Process

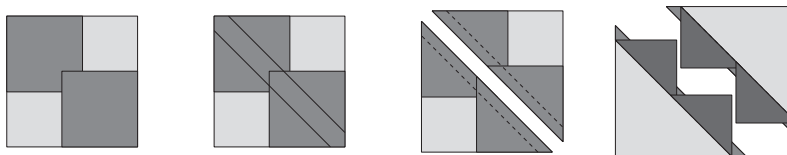
**Note:** This technique uses the no-nudge Flying Geese method. The raw edges of the small squares need to be aligned with the edges of the large square.

**Step 1 - Position** two of the smaller squares right sides together in diagonally opposite corners of the one large square. Align the outside raw edges.

**Step 2 - Mark** two lines, each 1/4" away from a center diagonal. I like to use my **Quilter's Magic Wand™** and a fine line marking tool. The **Quilter's Magic Wand™** keeps my seam allowances from getting too wide and a fine line gives me better accuracy.

**Step 3 - Stitch** on both of the drawn lines, then cut between the lines of stitching on the center diagonal.

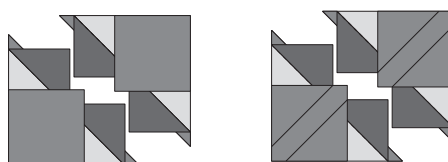
**Step 4 - Press** seams toward the smaller triangles (I do this no matter which is dark or light).



**Steps 1-4 - Position, Mark, Stitch, Cut, and Press**

**Step 5 - Position** one small square in the corner of the previously pieced units. Align the outside raw edges.

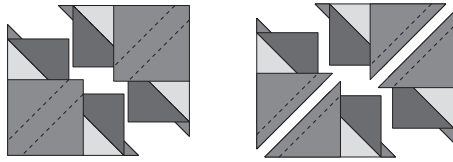
**Step 6 - Mark** two lines, each 1/4" away from a center diagonal. Use the **Quilter's Magic Wand™** and fine line marker.



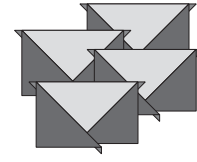
**Steps 5 & 6 - Position and Mark**

**Step 7 - Stitch** on both of the drawn lines, then cut between the lines of stitching on the center diagonal, as seen below.

**Step 8 - Press** seams toward the smaller triangles (I do this no matter which is dark or light).



**Step 7 - Stitch and Cut**



**Step 8 - Press**

## Trim Down Process - Right Handed Quilters

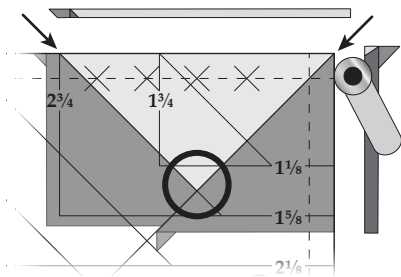
**Step 9 - Position** your oversized units horizontally on your cutting mat with the long edge of the center triangle furthest away from you (in the “valley” position).

**Step 10 - Align** the appropriate diagonal guidelines of the **Eighth Inch Wing Clipper®** with the sewn seams of the Flying Geese unit. You’ll automatically be centering the tool over your pieced unit.

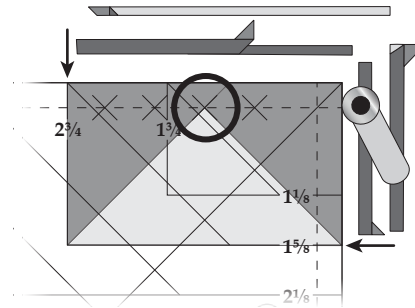
**Step 11 - Trim** up the right side and across the top of the **Eighth Inch Wing Clipper®**, then rotate the Flying Geese unit 180°.

**Step 12 - Reposition** the **Eighth Inch Wing Clipper®** to align clean-up guidelines with the previously trimmed raw edges and the “X” at the top with the intersection of the seams. Again be sure to have the proper cut sizes aligned for your particular project.

**Step 13 - Trim** again, up the right side and across the top. Each unit will now be precisely sized with all the seams properly positioned for perfect points every time.



**Step 9 - Position, Align, and Trim**



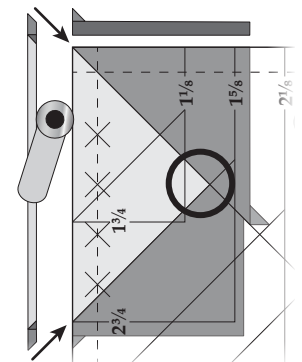
**Steps 12 & 13 - Reposition and Trim Again**

## Trim Down Process - Left Handed Quilters

**Step 9 - Position** your oversized units vertically on your cutting mat with the long edge of the center triangle on the left as shown (with “the geese going east”).

**Step 10 - Align** the appropriate diagonal guidelines of the **Eighth Inch Wing Clipper®** with the sewn seams of the Flying Geese unit. You’ll automatically be centering the tool over your pieced unit.

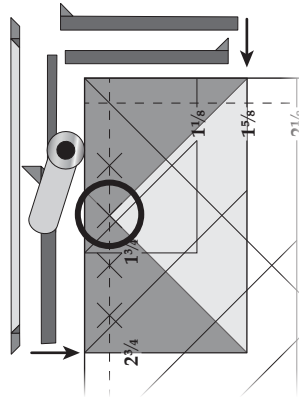
**Step 11 - Trim** up the left side and across the top of the **Eighth Inch Wing Clipper®**, then rotate the Flying Geese unit 180°.



**Steps 9-11 - Position, Align, and Trim**

**Step 12 - Reposition** the Eighth Inch Wing Clipper® to align cleanup guidelines with the previously trimmed raw edges and the “X” at the left with the intersection of the seams. Again be sure to have the proper cut sizes aligned for your particular project.

**Step 13 - Trim** again, up the left side and across the top. Each unit will now be precisely sized with all the seams properly positioned for perfect points every time.



**Steps 12 & 13 -  
Reposition and Trim Again**