

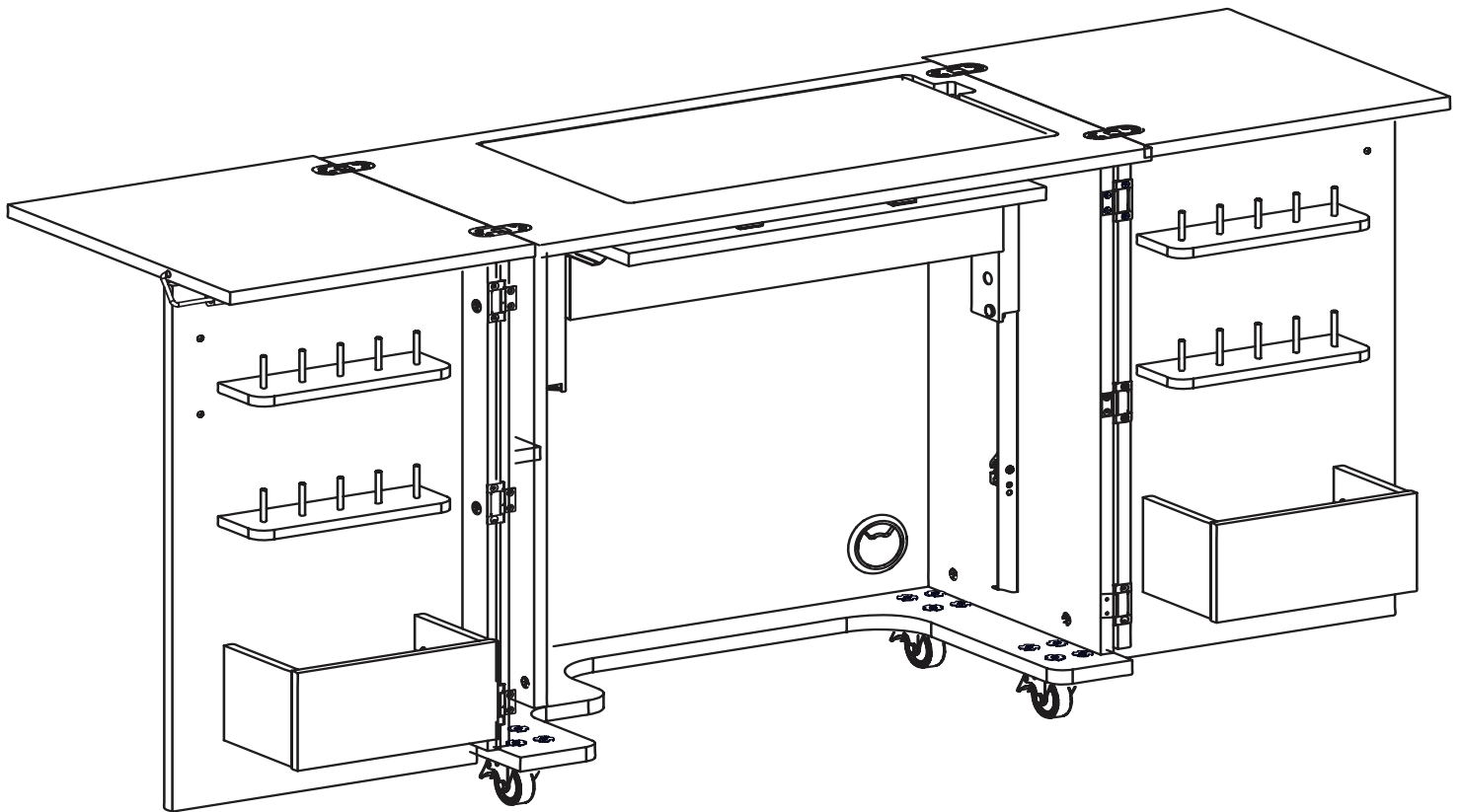


KANGAROO[™]
sewing furniture

ASSEMBLY INSTRUCTIONS

Bandicoot

ITEM NO.: K8205 Teak
K8207 Gray
K8211 Ash White



SEW IN COMFORT. SEW LONGER.[™]

General Assembly Guidelines

1. Read the instructions carefully before beginning the assembly process to ensure proper assembly of this product. Please open and inspect the contents of box(es) to see that all parts and hardware are included.

2. Tools Required



Phillips Screwdriver +

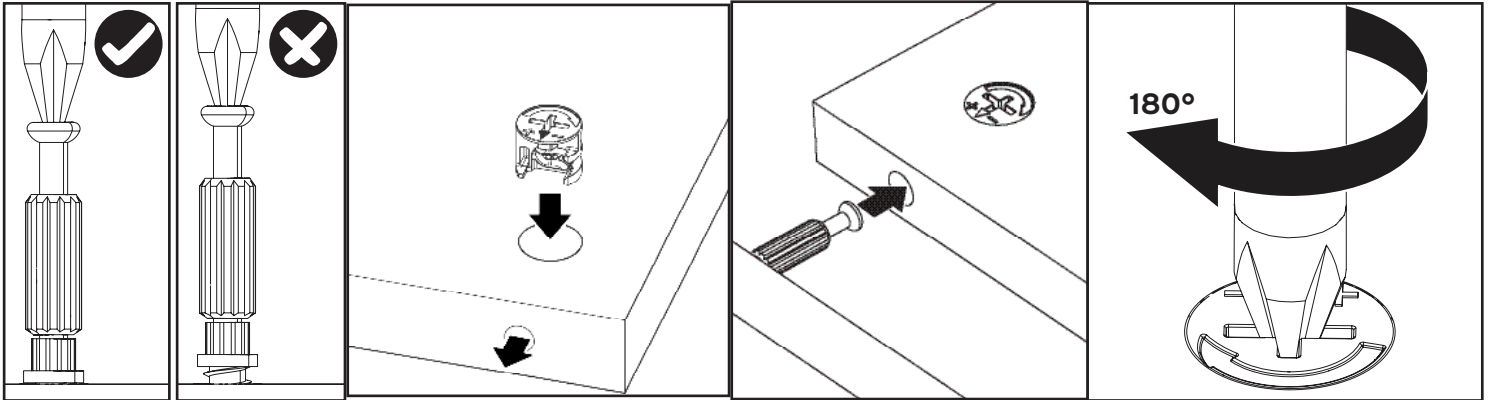


Hammer



Electric Screwdriver +

3. Understanding How the Cam Fastener Works



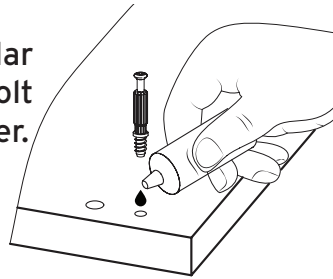
Screw cam bolts flush as illustrated.

Press cam into hole until flush with surface. The arrow direction must be in the direction of the hole.

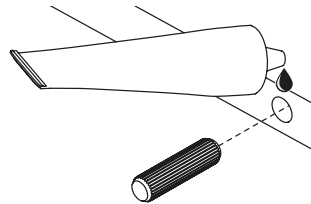
Insert bolt through pre-drilled hole in edge of panel.

Turn clockwise to lock cam with bolt.

Tip: place a small bit of WD-40 or similar lubricant into the pre-installed cam bolt holes to help the cam bolts screw in better.



4. **Glue** provided is to secure wood dowels in place and is optional. If glue is used during assembly, locate the appropriate hole for the dowel, place a small amount of glue in the hole and insert the dowel. Wipe away excess glue immediately. It is not necessary to glue the other end of the dowel when attaching to other parts.

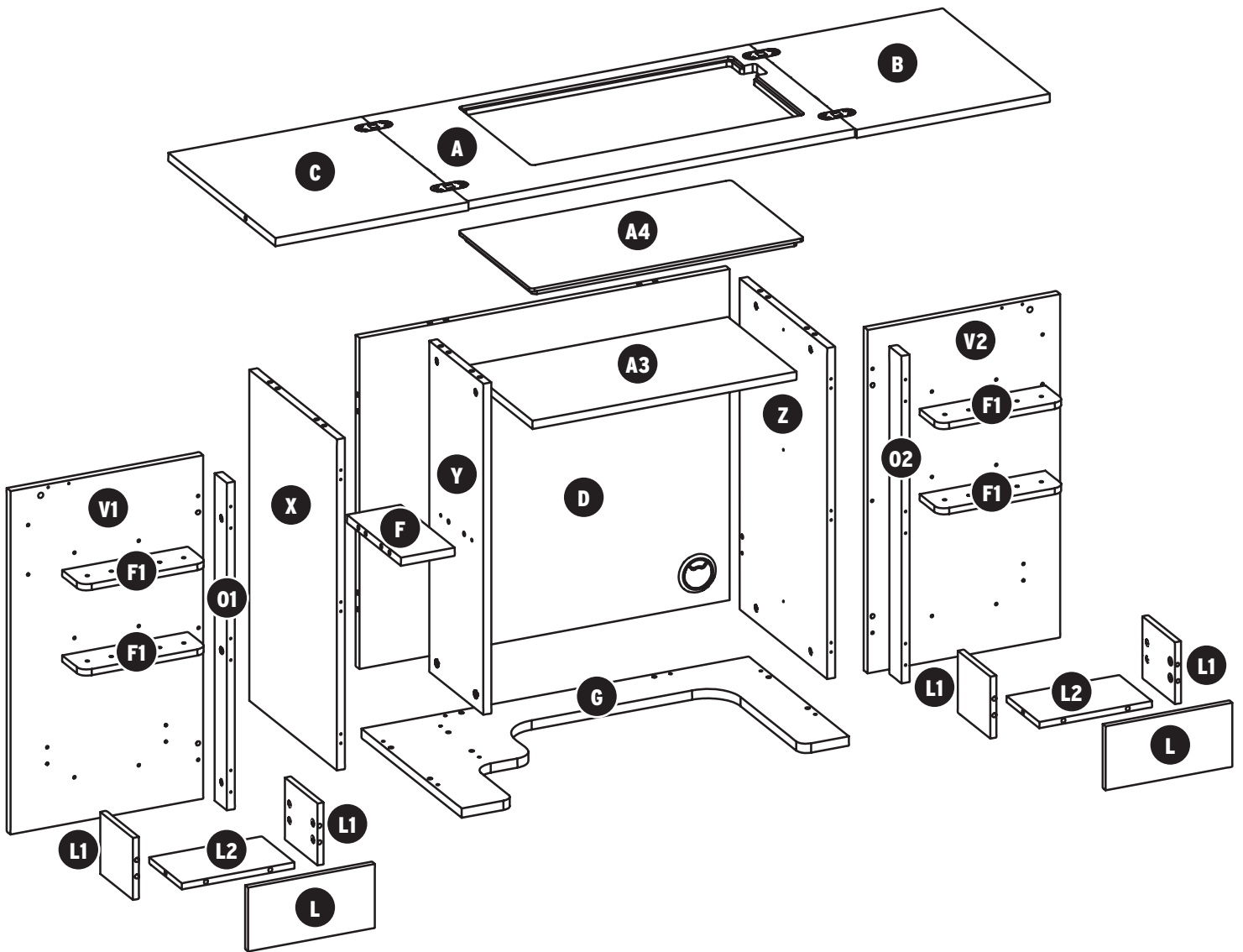


Use and Care Your cabinet normally requires a minimum amount of maintenance; however, the following points are worth noting:

Cleaning - To remove marks and enhance the surface, wipe with a gentle all-purpose cleanser. DO NOT use ammonia-based, harsh chemicals or abrasive cleaning agents. Wipe dry immediately.

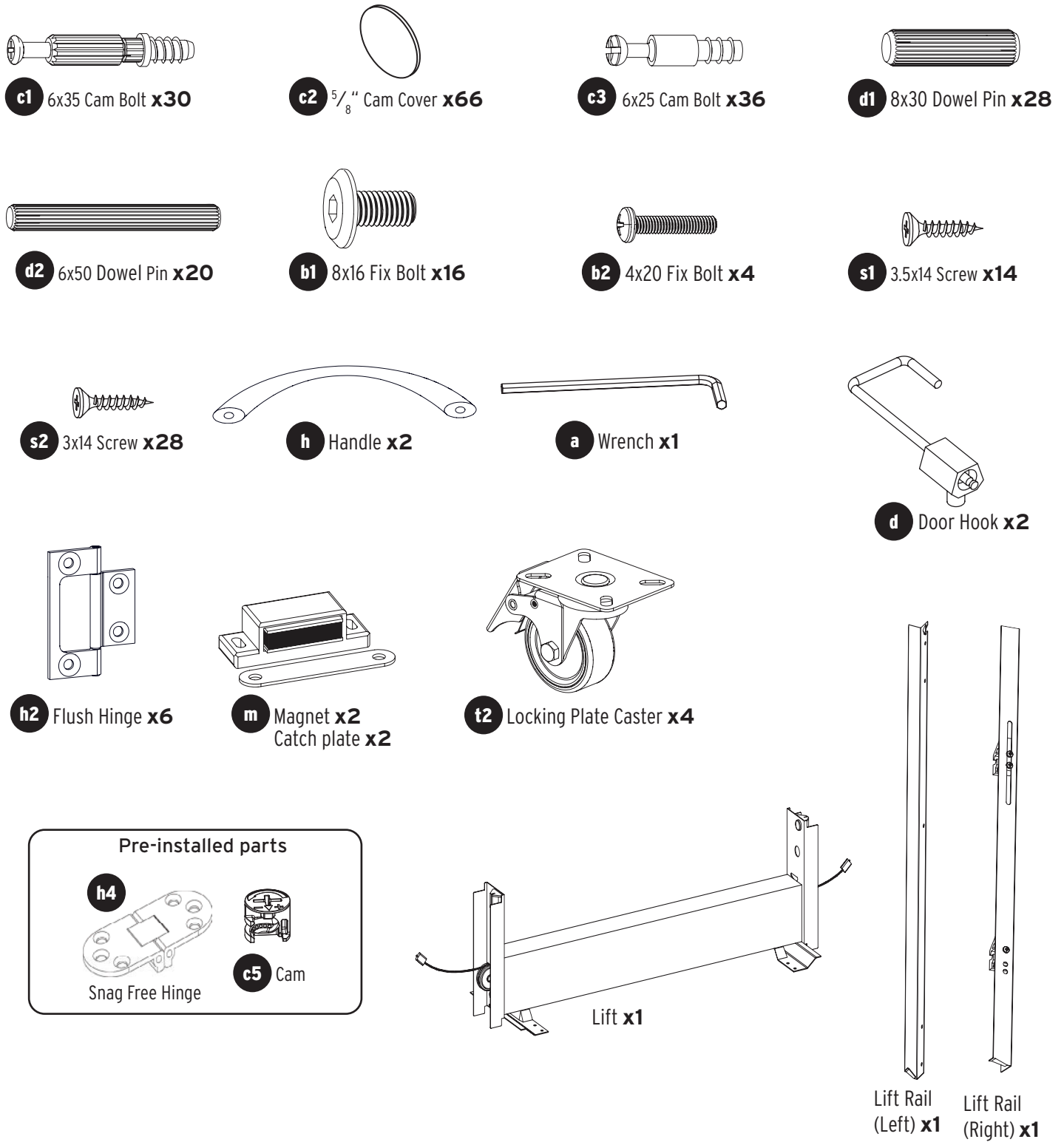
Electrical and Hydraulic Lifts - Require annual lubrication with WD-40 or similar lubricant.

Parts List: Panels



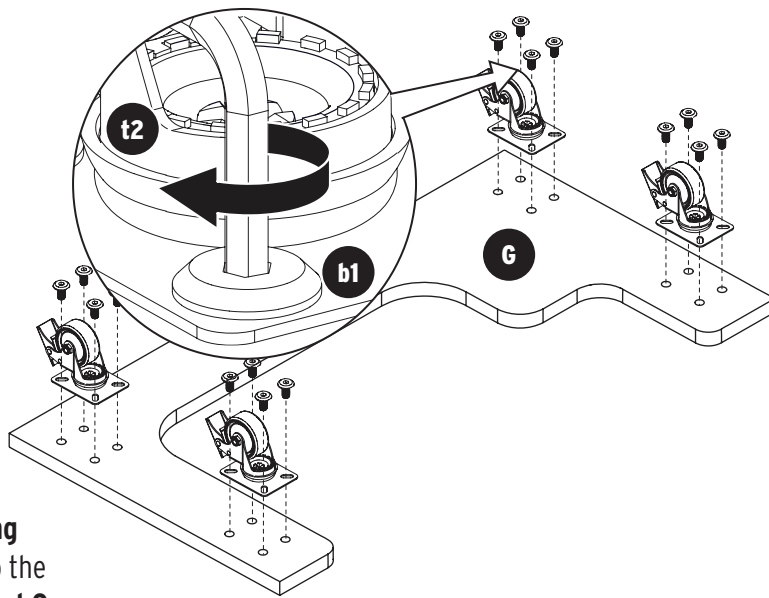
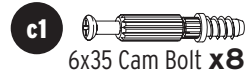
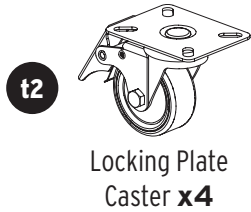
ITEM	DESCRIPTION	QTY.	PACK.	ITEM	DESCRIPTION	QTY.	PACK.
A	Top Panel	1	1 of 2	V2	Right Door Panel	1	2 of 2
B	Right Leaf	1	1 of 2	O1	Left Door Edge Panel	1	2 of 2
C	Left Leaf	1	1 of 2	O2	Right Door Edge Panel	1	2 of 2
A4	Cover	1	1 of 2	F1	Door Shelf	4	2 of 2
G	Bottom Panel	1	1 of 2	L	Door Bin Front	2	2 of 2
D	Back Panel	1	2 of 2	L1	Door Bin Side	4	2 of 2
X	Left Side Panel	1	2 of 2	L2	Door Bin Bottom	2	2 of 2
Z	Right Side Panel	1	2 of 2	A3	Platform	1	2 of 2
Y	Partition	1	2 of 2		Hardware Box	1	2 of 2
F	Fixed Shelf	1	2 of 2		Lift & Rails	1	3 of 3
V1	Left Door Panel	1	2 of 2				

Parts List: Hardware



Step 1: Cabinet Shell

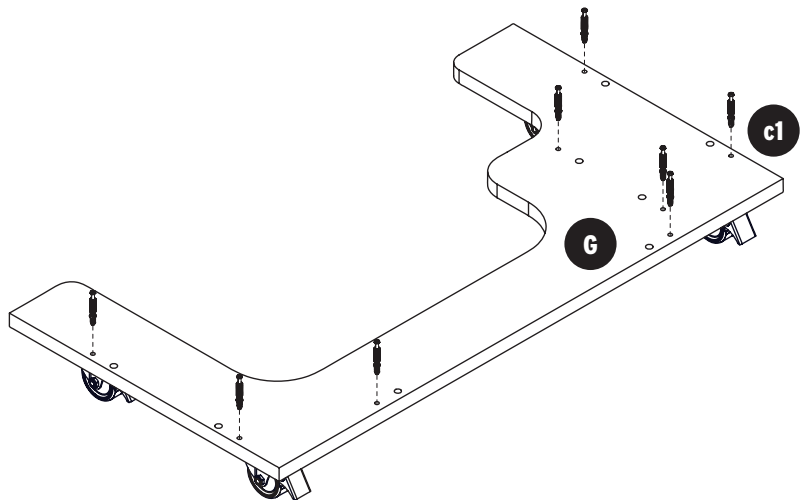
We can't wait to get your brand new Bandicoot Sewing Cabinet up and running. Please contact our Customer Service Team at 1-800-533-7347, ext. 1 during normal business hours with any assembly related questions.




Attach **t2 Locking Plate Casters** to the underside of **Panel G** with **b1 Fix Bolts**.

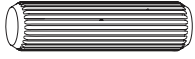
Flip **Panel G** over. Insert **c1 Cam Bolts**.

Set **Panel G** aside.



Step 1: Cabinet Shell

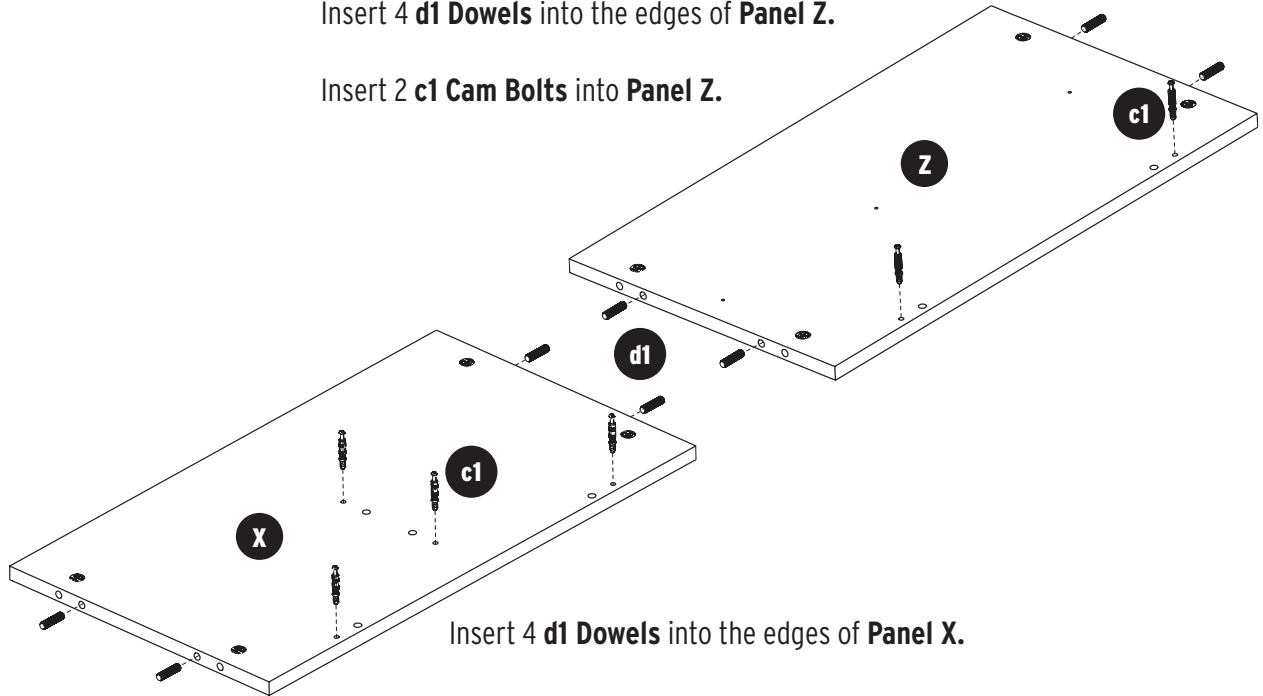
c1  **6x35 Cam Bolt x6**



d1 **8x30 Dowel Pin x16**

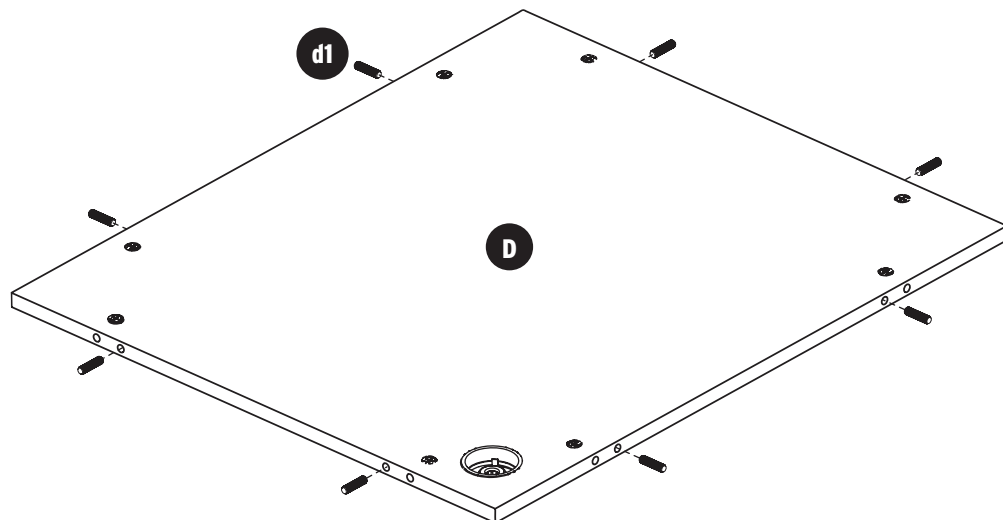
Insert 4 **d1 Dowels** into the edges of **Panel Z**.

Insert 2 **c1 Cam Bolts** into **Panel Z**.



Insert 4 **d1 Dowels** into the edges of **Panel X**.

Insert 4 **c1 Cam Bolts** into **Panel X**.



Insert 8 **d1 Dowels** into the edges of **Panel D**.

Step 1: Cabinet Shell

Attach **Lifter Rail (Right)** to **Panel Z** with **s1 Screws** as shown.



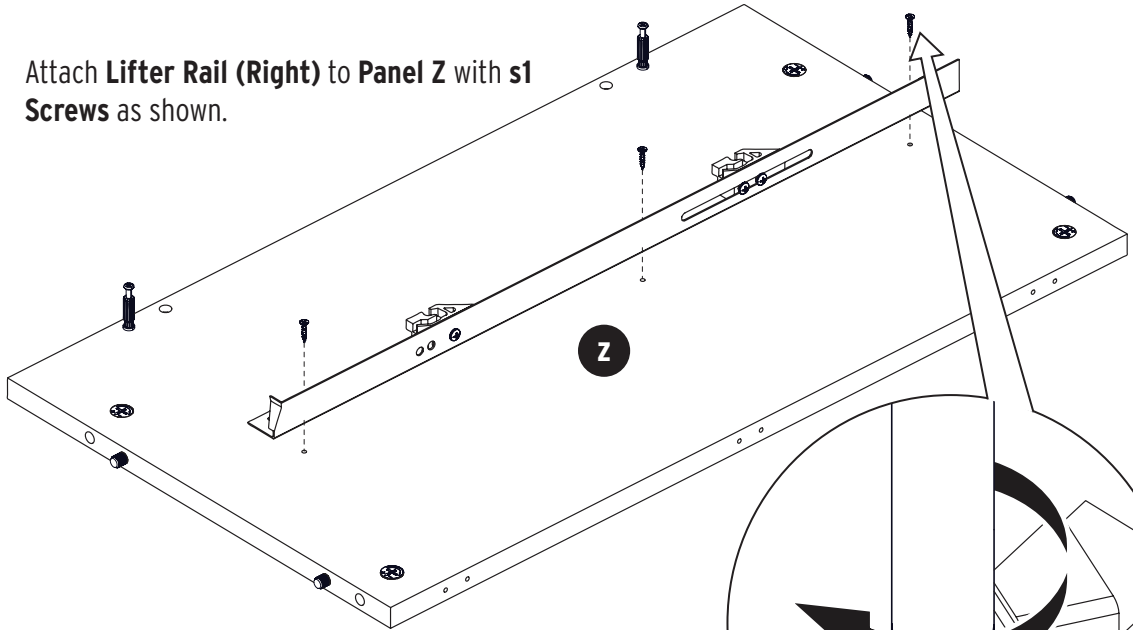
Lifter Rail (Right) **x1**



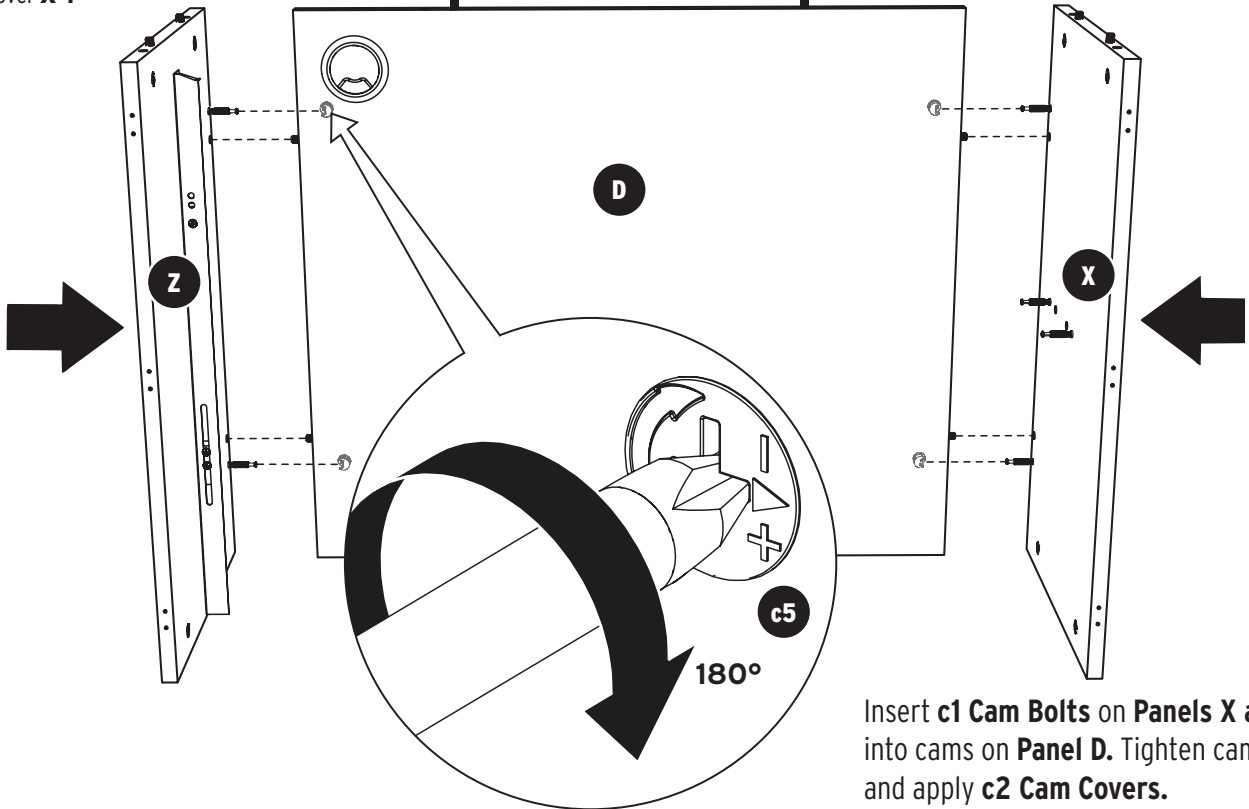
s1
3.5x14 Screw **x3**



c2
 $\frac{5}{8}$ " Cam Cover **x4**

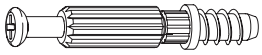


NOTE: Panel D, X and Z are shown assembled upside down.
The cam locks on **Panel D** will be on the back of the cabinet.



Insert **c1 Cam Bolts** on **Panels X and Z** into cams on **Panel D**. Tighten cam locks and apply **c2 Cam Covers**.

Step 1: Cabinet Shell



c1 6x35 Cam Bolt **x2**

d1



8x30 Dowel Pin **x8**



Lift Rail (Left) **x1**

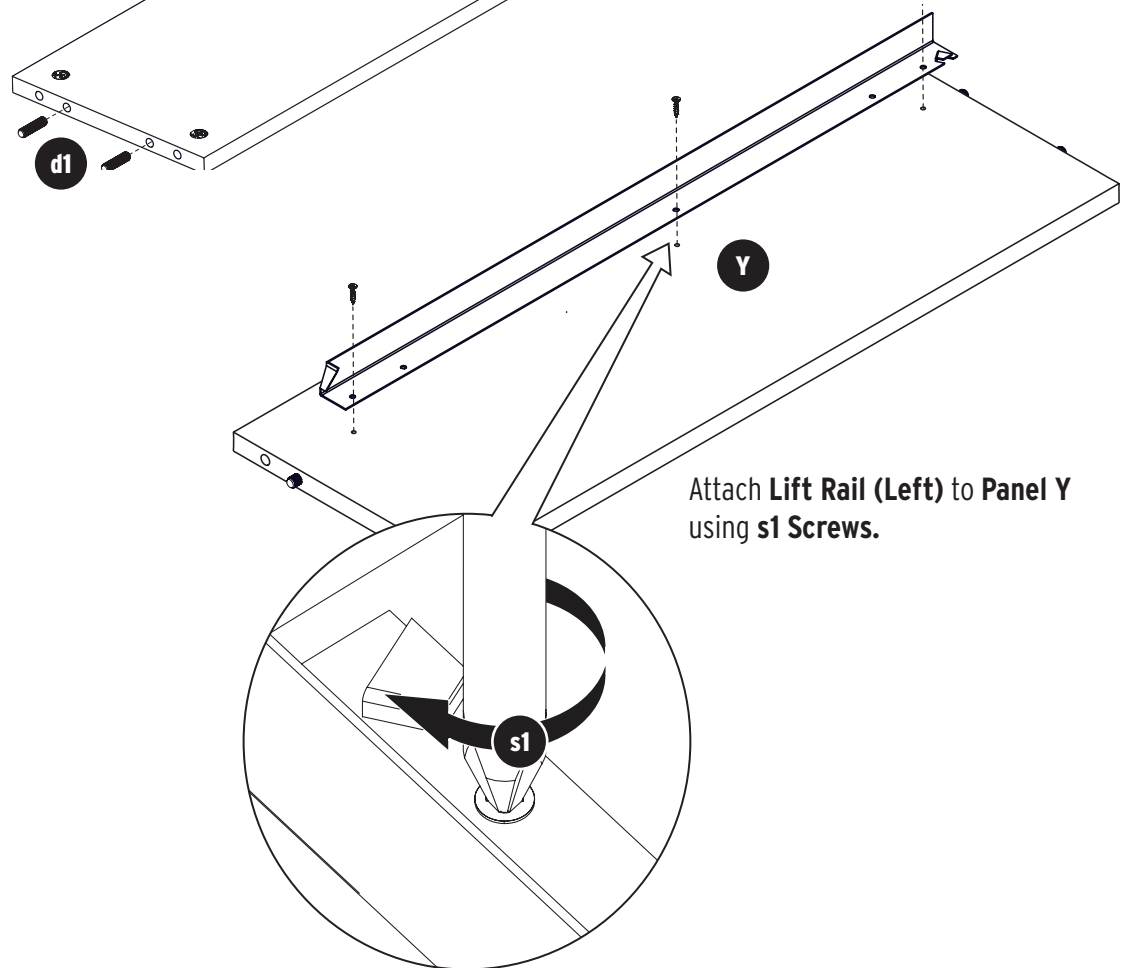
s1



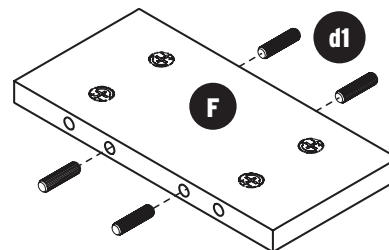
3.5x14 Screw **x3**

Insert 4 **d1** Dowels into the edges of **Panel Y**.

Attach 2 **c1** Cam Bolts to **Panel Y**.



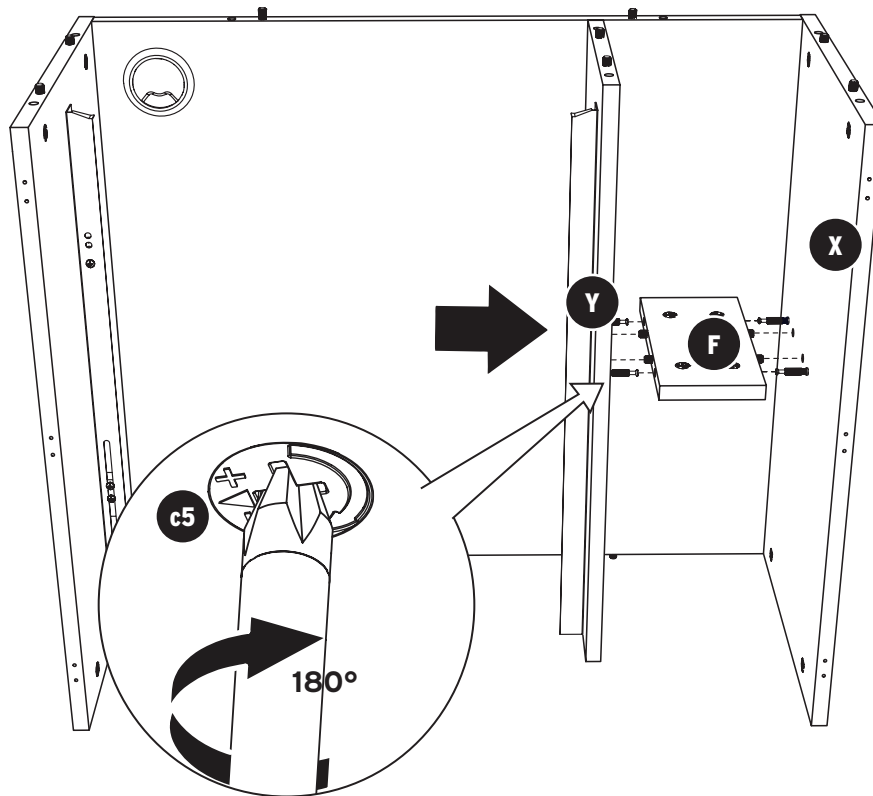
Attach **Lift Rail (Left)** to **Panel Y** using **s1** Screws.



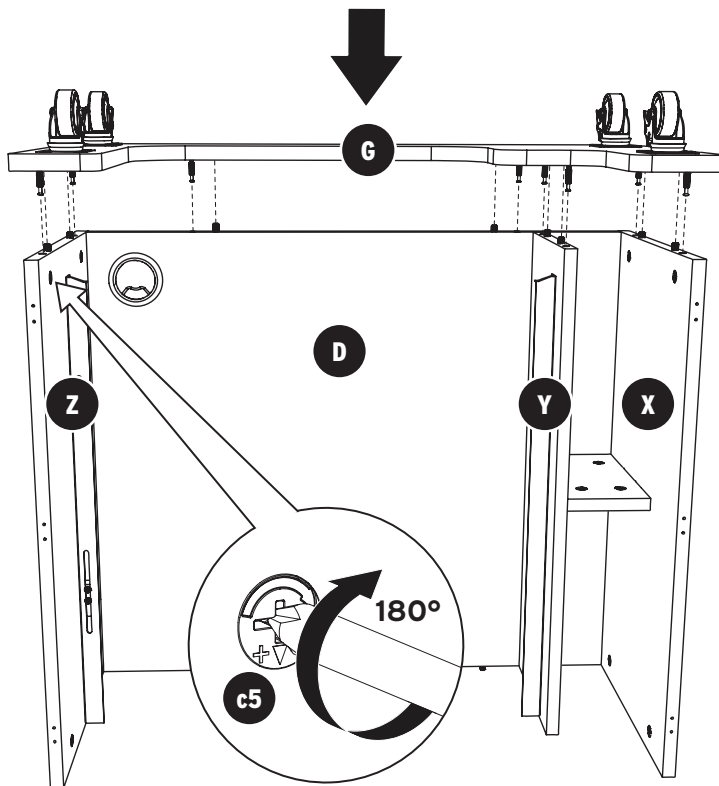
Insert **d1** Dowels into the edges of **Panel F**.

Step 1: Cabinet Shell

c2 
5/8" Cam Cover **x12**



Insert **c1 Cam Bolts** on **Panels X and Y** into cams on **Panel F**. Tighten and apply **c2 Cam Covers**.



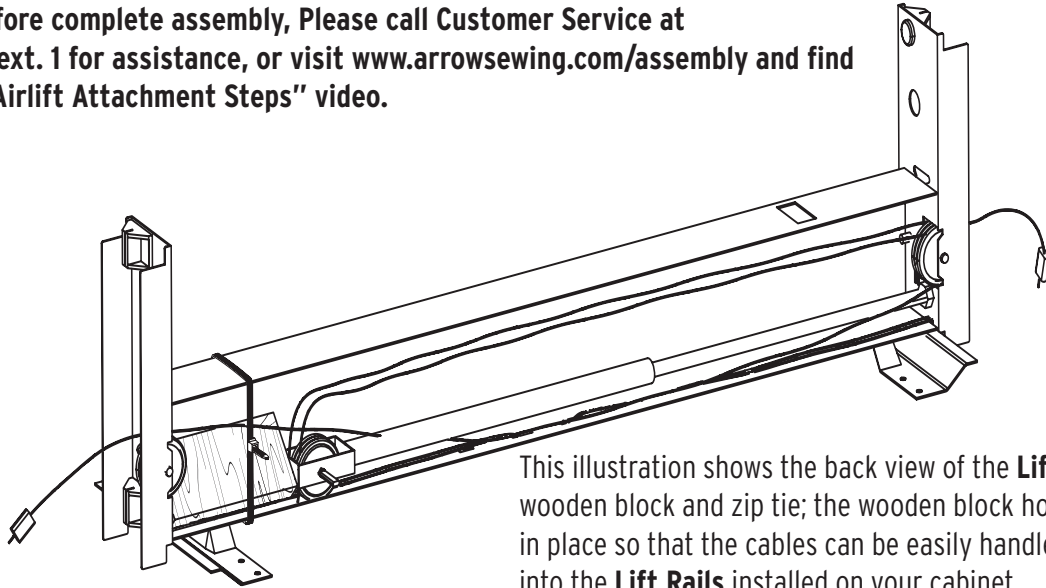
Insert **c1 Cam Bolts** on **Panel G** into cams on **Panels X, Y, Z and D**. Tighten and apply cam covers.

Make sure **t1 Locking Plate Casters** are locked and carefully turn the cabinet over onto its casters. You may need a friend to help you with this, but it is not required.

Step 2: Lift

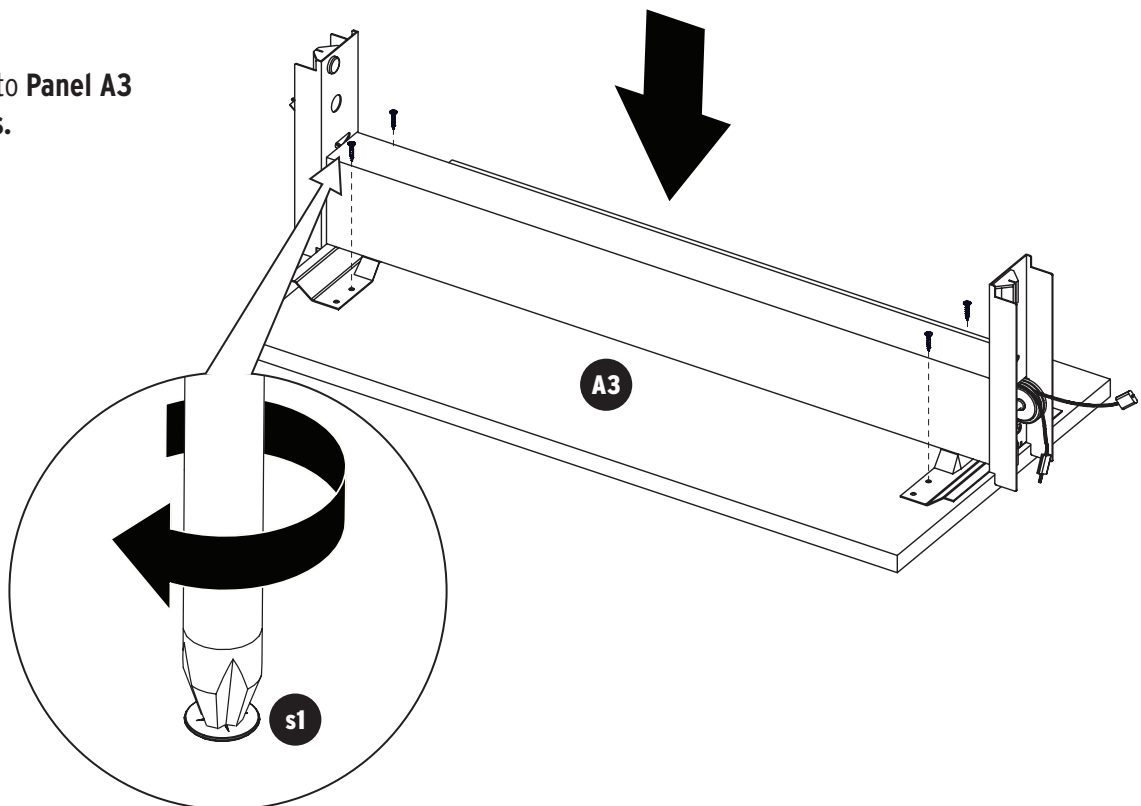
LIFT INSTALLATION WARNING:

DO NOT remove the small wooden block from the Lift until assembly is complete. If the block is removed or falls out before lift assembly is complete, the cables will retract, making installation difficult. If the block falls out before complete assembly, Please call Customer Service at 1-800-533-7347, ext. 1 for assistance, or visit www.arrowsewing.com/assembly and find the "Alternative Airlift Attachment Steps" video.



This illustration shows the back view of the **Lift**. Notice the wooden block and zip tie; the wooden block holds the piston in place so that the cables can be easily handled and inserted into the **Lift Rails** installed on your cabinet.

Attach the **Lift** to **Panel A3** using **s1** Screws.

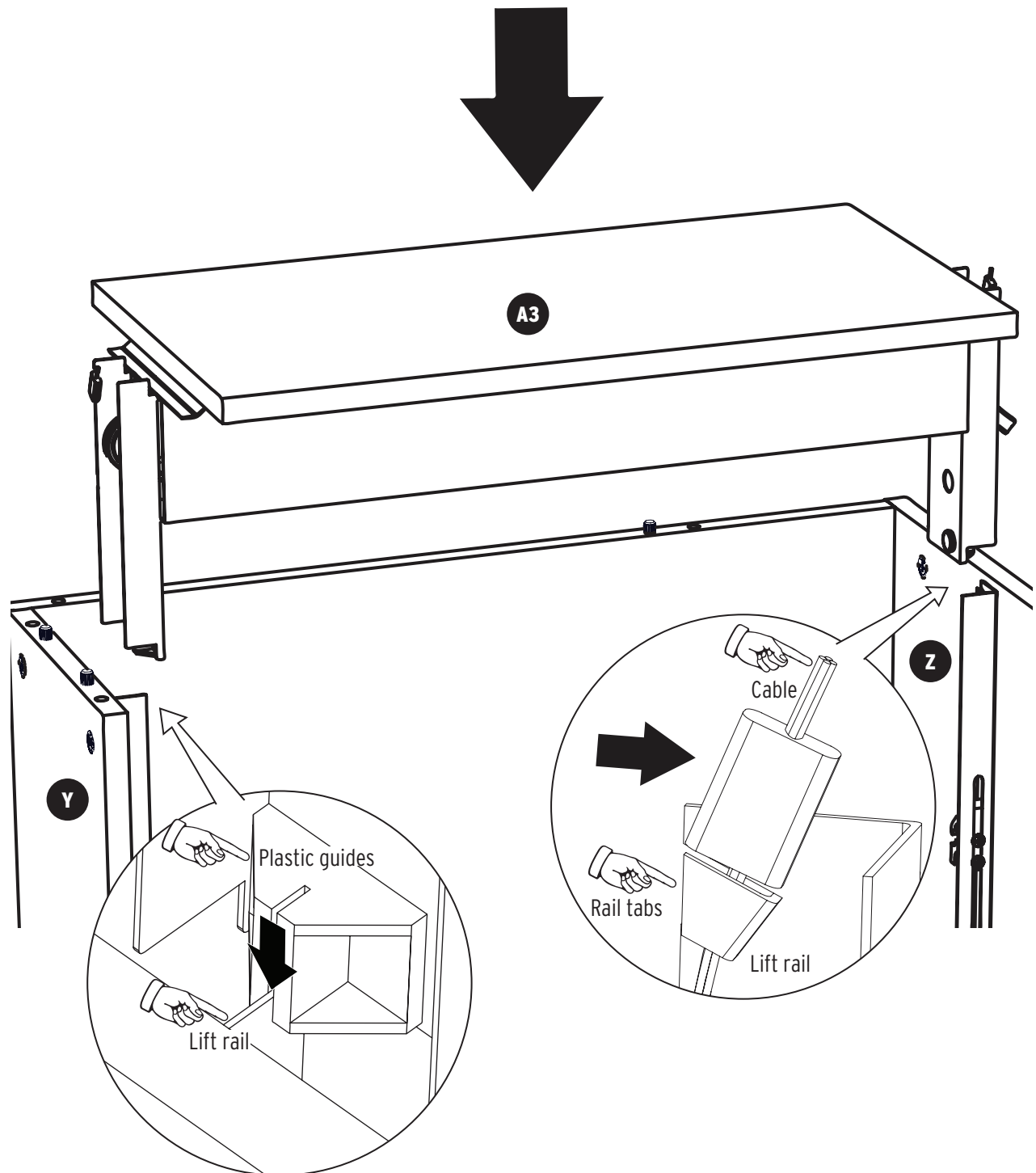


Step 2: Lift

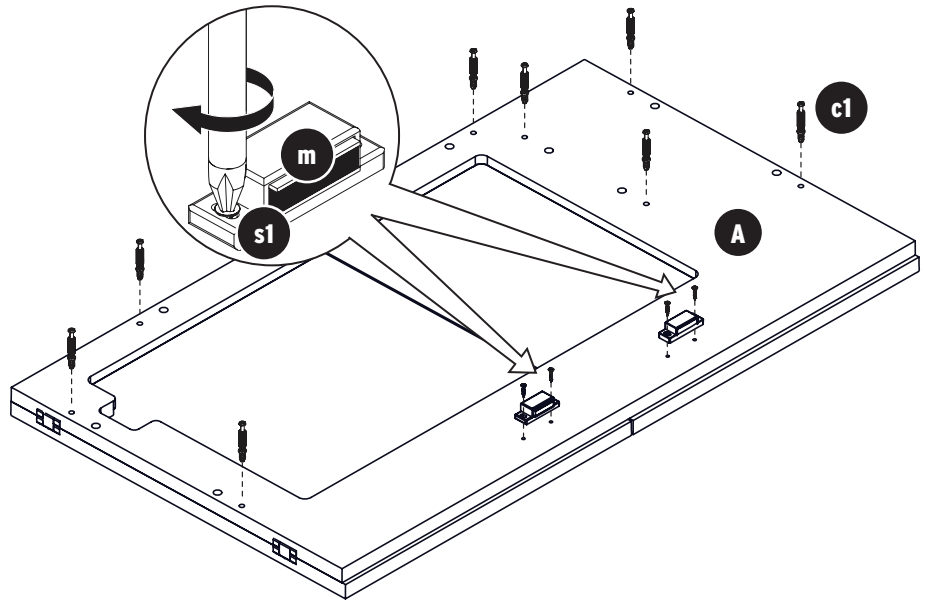
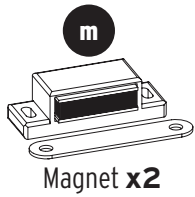
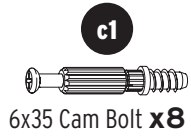
Guide **Lift** onto **Lift Rails** using plastic guides. Insert ends of cable into rail tabs; make sure the cable is hooked into the rail tabs on both sides.

Cut the zip tie on the wooden block, but **DO NOT** remove the block yet.

Lower the **Lift** to first lock position and remove the wooden block. **DO NOT ADJUST LIFT POSITION** until the top is installed, or you risk the Lift coming out and cables becoming disengaged.



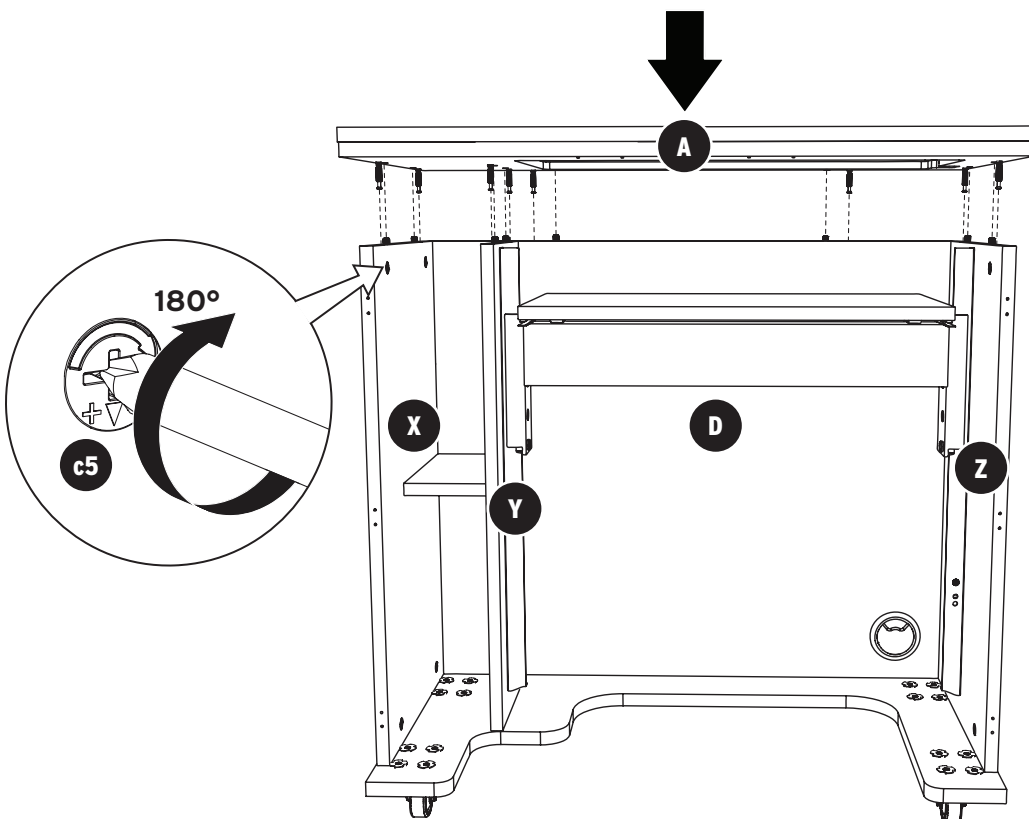
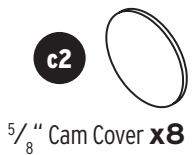
Step 3: Top Panel



NOTE: Panels A, B and C come pre-assembled.

Insert **c1 Cam Bolts** into **Panel A**.

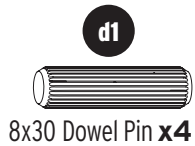
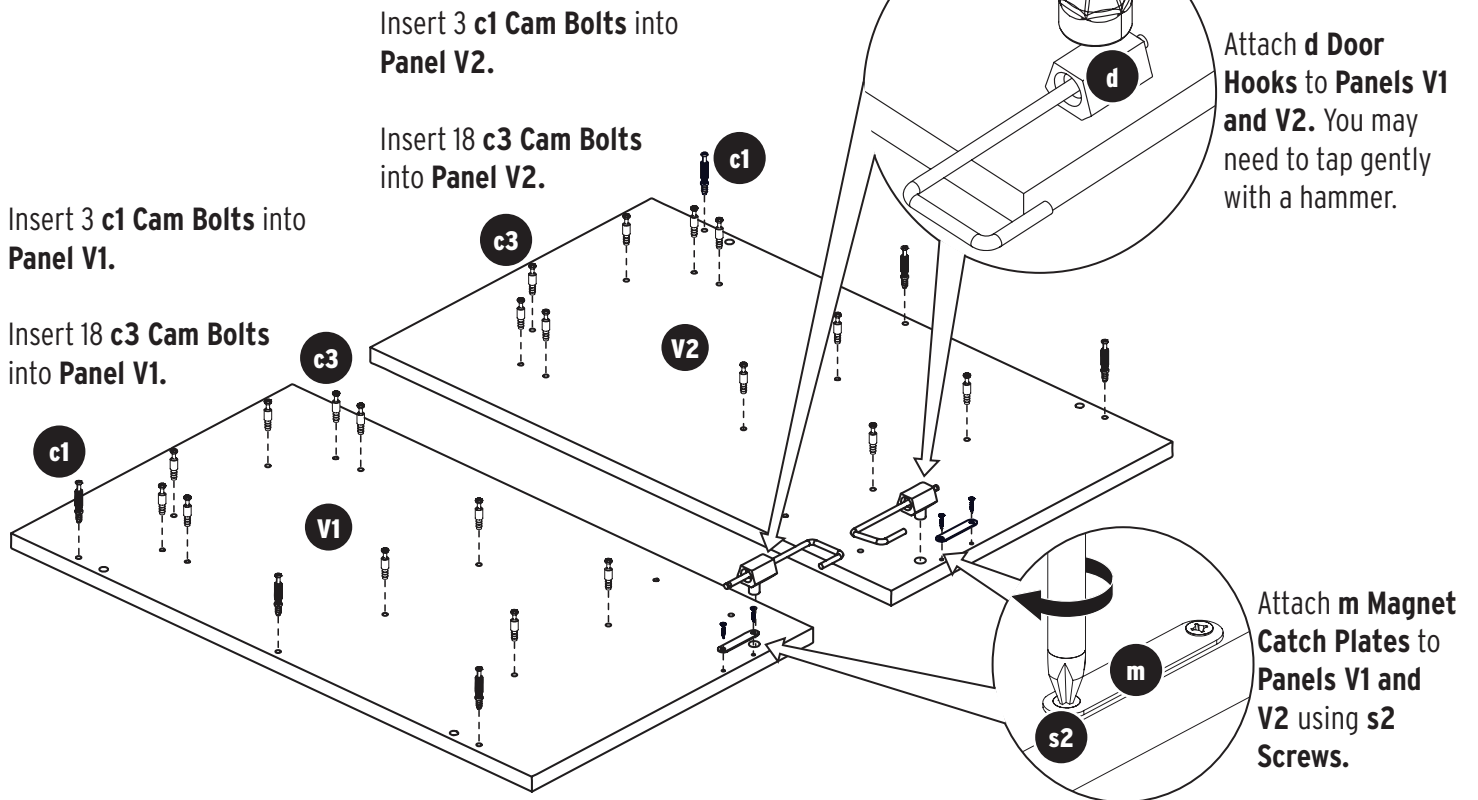
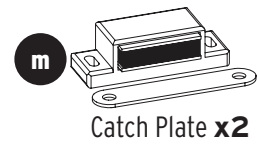
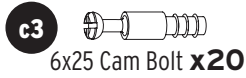
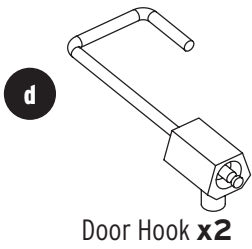
Attach **m Magnets** to **Panel A** using **s1 Screws**. Reserve the Magnet Plate for use later.



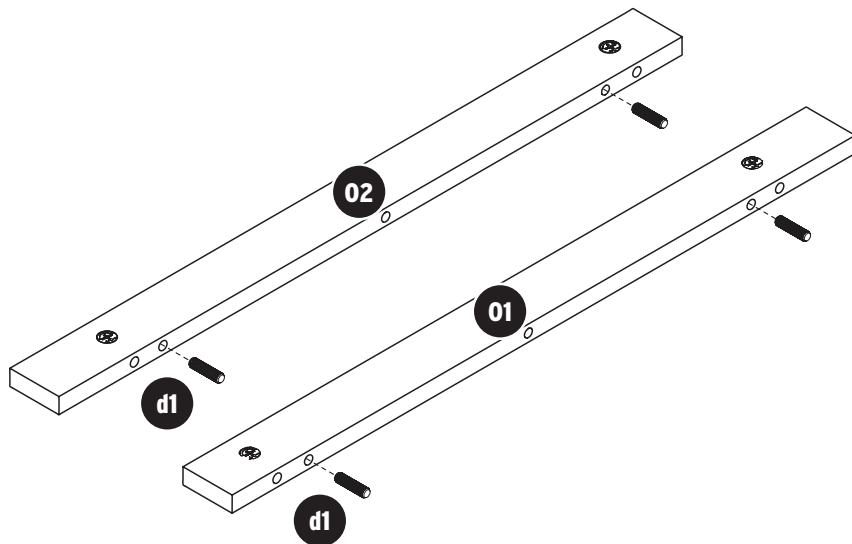
Lower **Panel A**, inserting **c1 Cam Bolts** on **Panel A** into cams on **Panels X, Z, D and Y**.

Tighten cams and apply **c2 Cam Covers**.

Step 4: Doors



Insert **d1** Dowels into edges of Panels **01** and **02**.

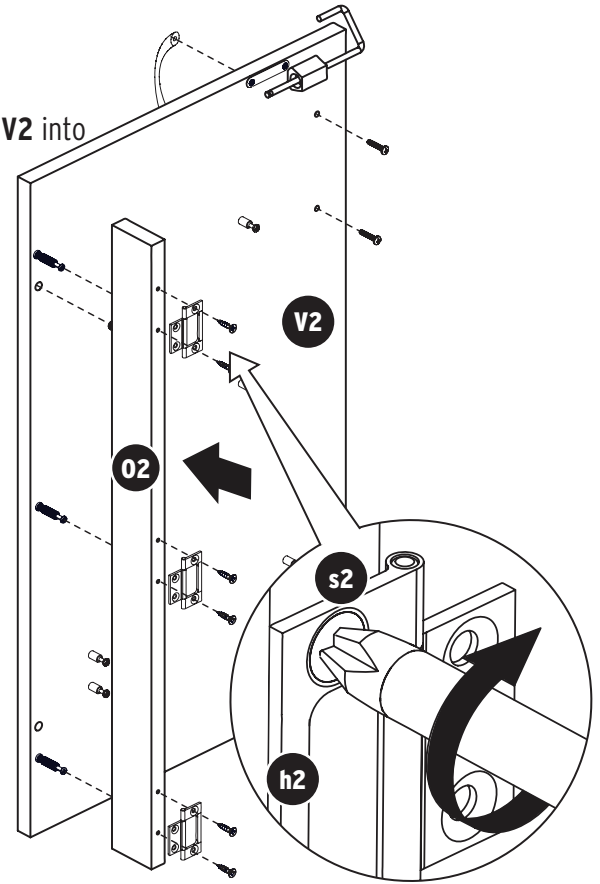
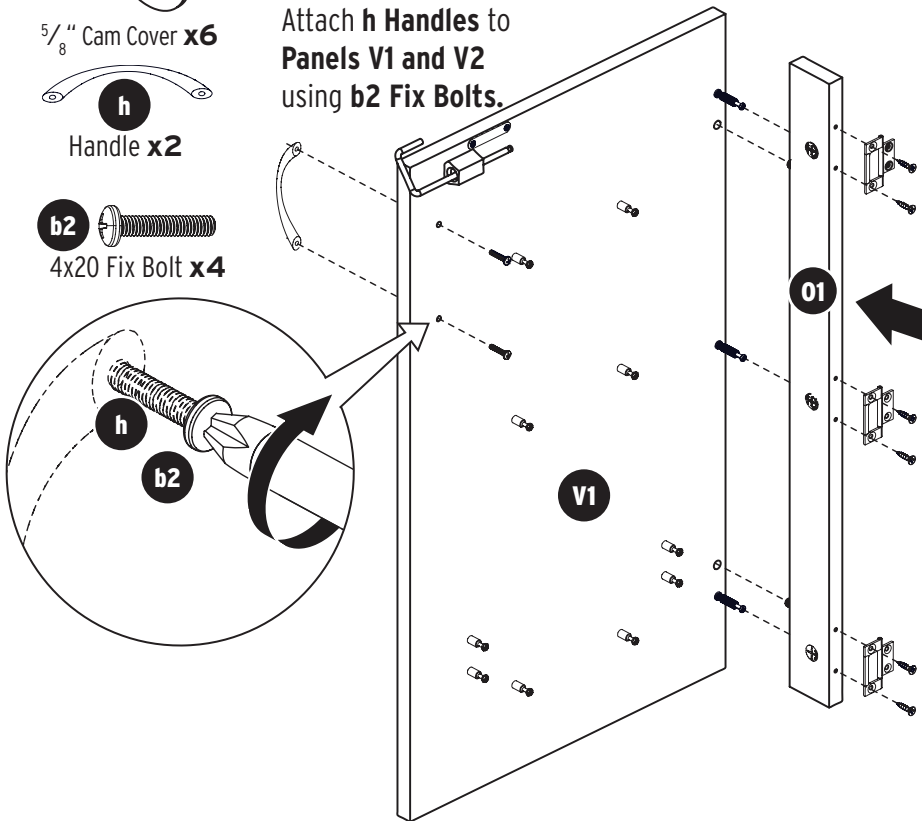


Step 4: Doors

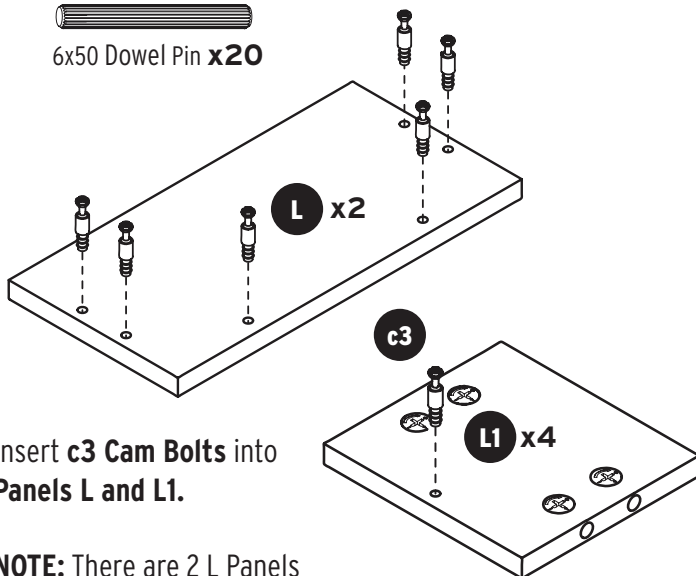
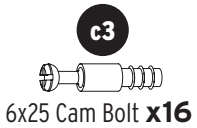


Attach **h** Handles to **Panels V1 and V2** using **b2** Fix Bolts.

Insert **c1** Cam Bolts on **Panels V1 and V2** into cams on **Panels O1 and O2**. Tighten and apply **c2** Cam Covers.

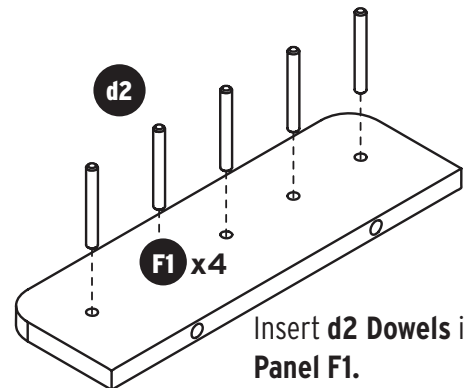


Attach **h2** Flush Hinges to **Panels O1 and O2** using **s2** Screws.



Insert **c3** Cam Bolts into **Panels L and L1**.

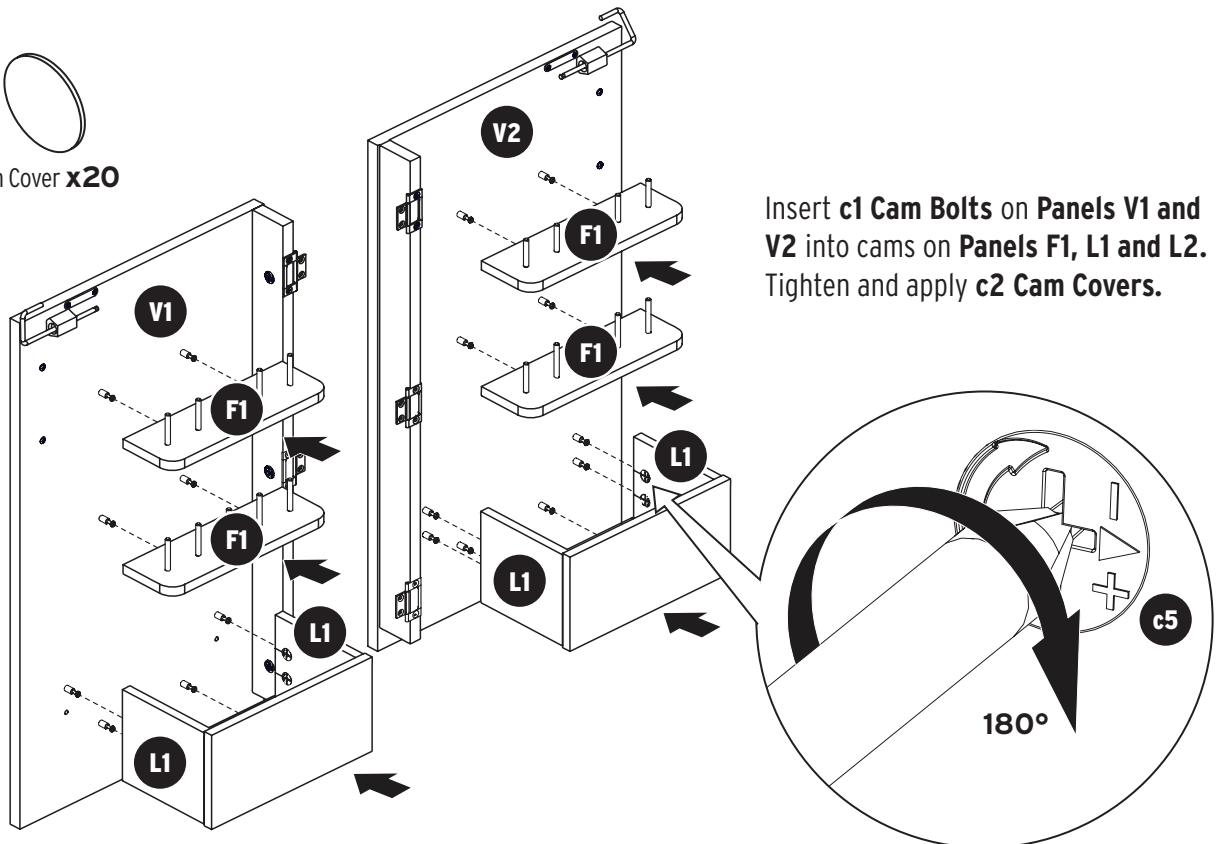
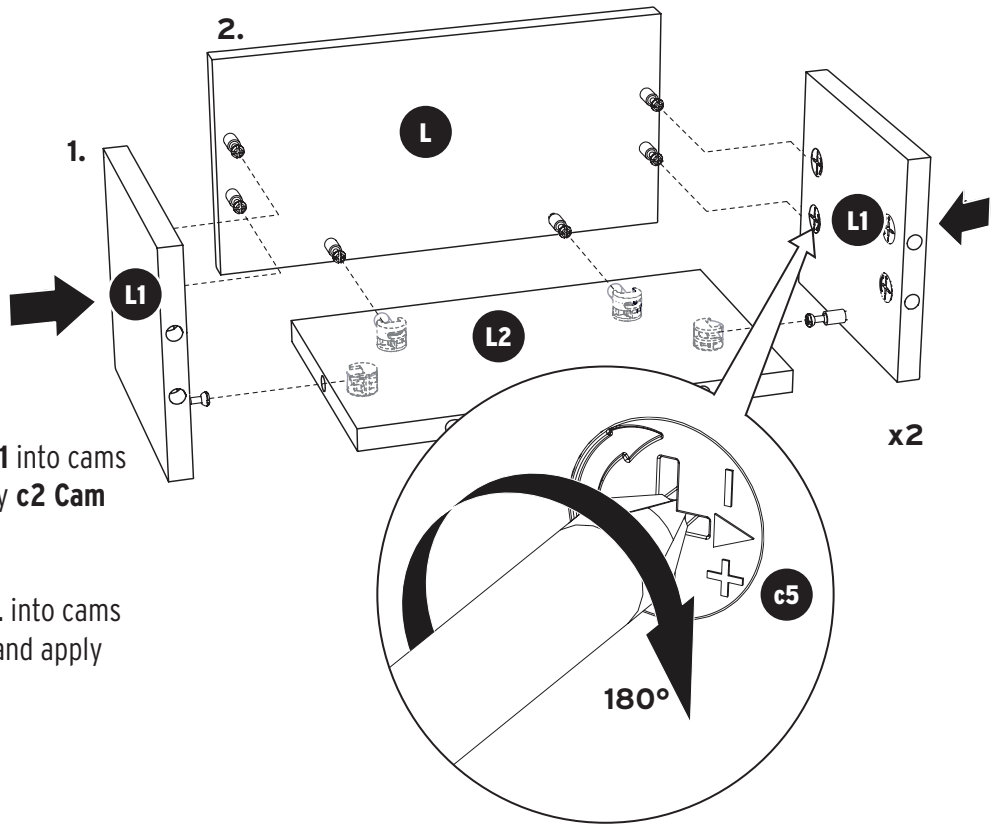
NOTE: There are 2 L Panels and 4 L1 Panels.



Insert **d2** Dowels into **Panel F1**.

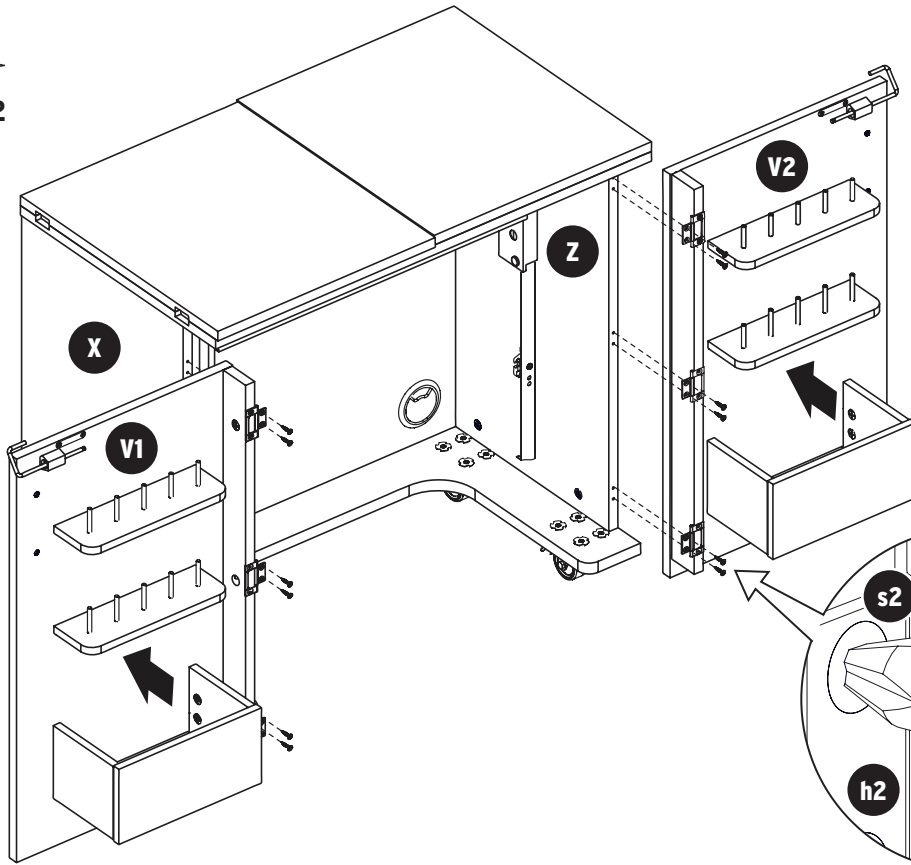
NOTE: There are 4 F1 Panels.

Step 4: Doors

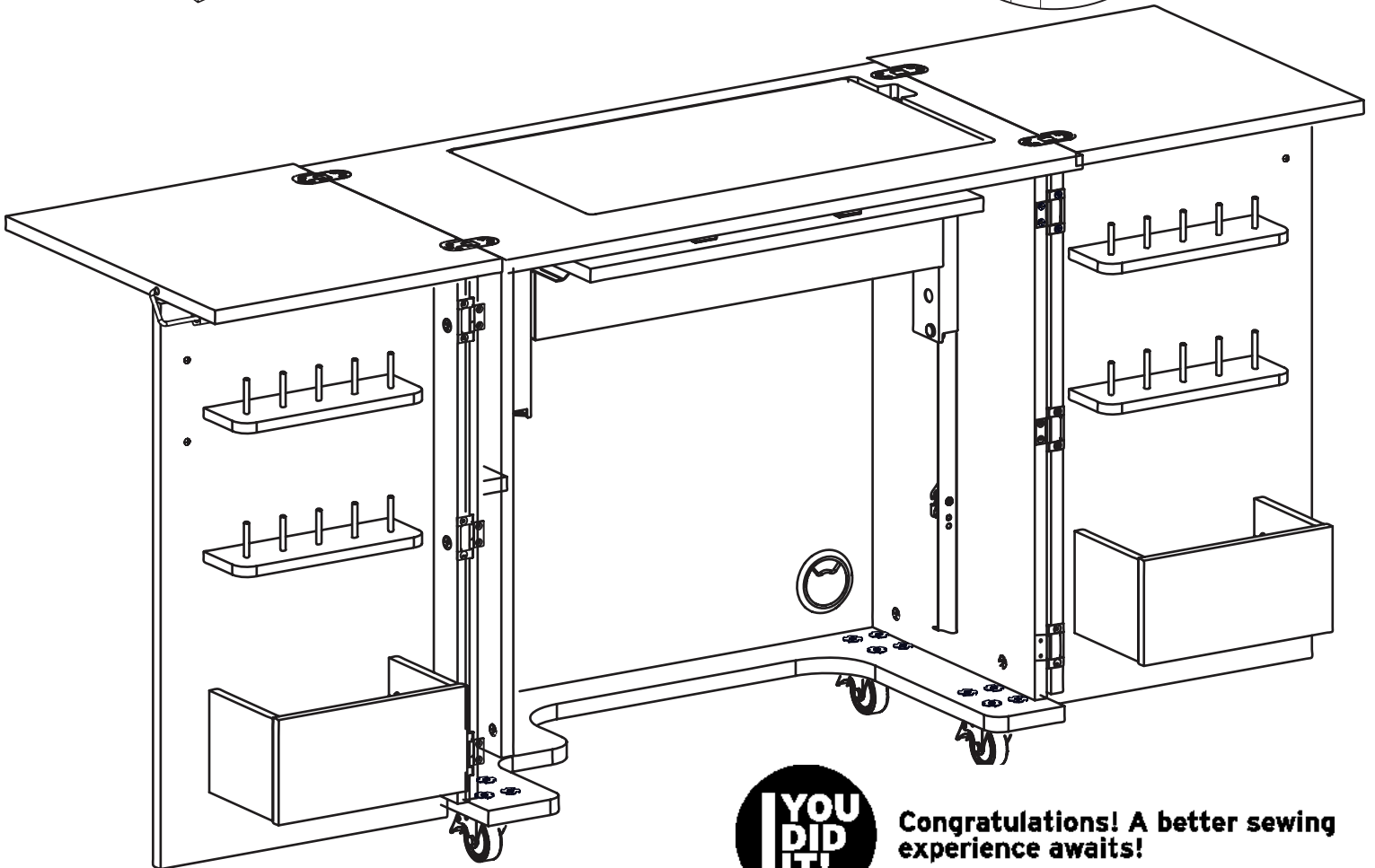


Step 4: Doors

s2 
3x14 Screw x12



Attach **h2 Flush Hinges** to **Panels X and Z** with **s2 Screws** as illustrated here.



Congratulations! A better sewing experience awaits!



KANGAROO™
sewing furniture

LIMITED LIFETIME WARRANTY

Kangaroo™ Sewing Furniture Limited Lifetime Warranty

WHAT THIS WARRANTY COVERS: Arrow Companies, LLC "Arrow" provides a Limited Lifetime Warranty "Warranty" to the original purchaser of this product against defects in materials or workmanship of furniture components. As used in this Warranty, "defect" means imperfections in components which substantially impair the utility of the product. This Warranty gives you specific legal rights, and you may also have other rights which vary from state to state. Electrical and mechanical components of furniture are warranted for 5 years.

HOW TO GET SERVICE: Simply contact Arrow at 1-800-533-7347 or CS@ArrowSewing.com. When you request Warranty service, you must also present proof of purchase documentation, which includes the date of purchase (detailed receipt), and photos of the product. Arrow will replace any defective part (at its sole option), excluding labor. Replacement parts will be warranted for only the remaining period of the original Warranty.

Replacement parts will be shipped freight prepaid on any initial Warranty claim during first year of Warranty only. Warranty applies only to defects confirmed by Arrow and will be replaced or repaired at Arrow's option. In the event parts are no longer available for a Warranty claim, customer may receive a brand new cabinet at a price equal to 60% off the MSRP of a current comparable model.

WHAT'S NOT COVERED: There is no Warranty coverage for defects or conditions that result from the failure to follow product assembly instructions, information or warnings, misuse or abuse, intentional damage, fire, flood, alteration or modification of the product, or use of the product in a manner inconsistent with its intended use, nor any condition resulting from incorrect or inadequate maintenance, cleaning, care, or neglect, cuts or scratches, caster damage as a result of moving furniture fully loaded or with locked casters, damage resulting from electrical surge or lightning, or use in commercial or education environments. Kangaroo Sewing Furniture is designed for residential use only.

ARROW SHALL HAVE NO LIABILITY for ANY INCIDENTAL OR CONSEQUENTIAL DAMAGES OF ANY KIND and all such damages are EXCLUDED FROM THIS Warranty, such as loss of use, disassembly, transportation, labor, or damage to property on or near the product. Some states do not allow the exclusion or limitation of incidental or consequential damages, so the above limitation or exclusion may not apply to you. The Warranty cannot be transferred to subsequent owners or users of the product, and it shall be immediately void in the event the product is resold, transferred, leased or rented to any third party or person other than the original purchaser.

ADDITIONAL LIMITATIONS: THERE ARE NO OTHER WARRANTIES APPLICABLE TO THIS PRODUCT. Under the laws of certain states, there may be no implied warranties from Arrow and all implied warranties, INCLUDING ANY IMPLIED Warranty OF MERCHANTABILITY OR FITNESS FOR A PARTICULAR PURPOSE are disclaimed where allowed by law. TO THE EXTENT ANY IMPLIED WARRANTIES ARE APPLICABLE, ANY IMPLIED WARRANTIES, INCLUDING ANY IMPLIED Warranty OF MERCHANTABILITY OR FITNESS FOR A PARTICULAR PURPOSE, ARE LIMITED IN DURATION TO THE DURATION OF THIS EXPRESS Warranty or the minimum period allowed by law, whichever is shorter. Some states do not allow limitations on how long an implied Warranty lasts, so the above limitation may not apply to you. This limited Warranty gives you specific legal rights. This limited Warranty does not, in any way, affect the rights given to you by law.

REGISTER YOUR PRODUCT: Original purchaser should register the purchase online at www.ArrowSewing.com/Warranty.

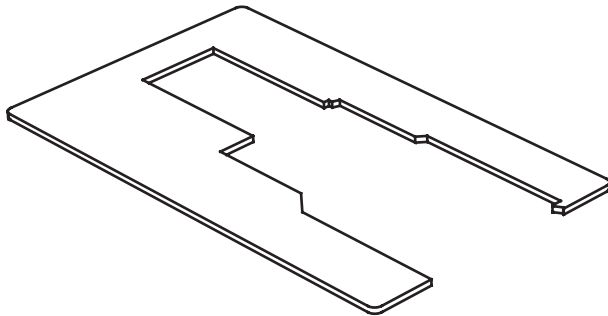
SEW IN COMFORT. SEW LONGER.™



Accessories to Complete Your Sewing Studio

Custom Insert

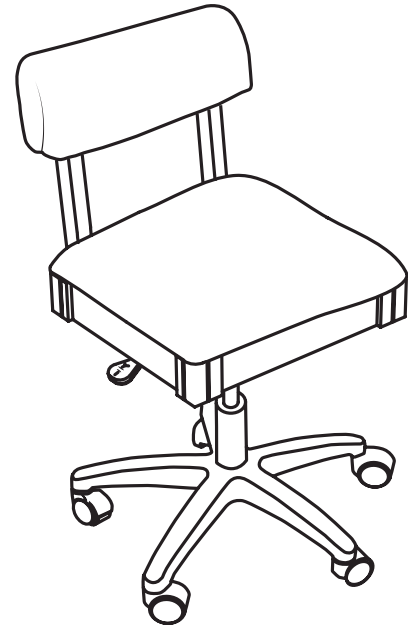
Enhance your sewing experience with a custom acrylic sewing insert! Custom acrylic sewing inserts are designed to fill the gap between your sewing machine and sewing cabinet's lift opening to create a flush, ergonomic surface for flat bed sewing. To ensure a perfect fit, custom acrylic sewing inserts are built specifically for your sewing machine and sewing cabinet combination. Say hello to happy wrists, straighter stitches, and an elevated sewing experience!



Insert

Arrow Sewing Chairs

Arrow's #1 Rated Height Adjustable Sewing Chair is a must have accessory for your dream sewing room! Cute, comfortable and convenient - our lovable sewing chairs feature vibrant sewing themed patterns, 360 swivel access and lumbar support for long hours at your workstation. Don't look now, but under every seat cushion is a hidden storage compartment to store your notions and patterns! Available in 10 colors to perfectly match your sewing sanctuary!



Height Adjustable Sewing Chair

P.O. Box 410 Elkhorn, WI 53121
1-800-533-7347 Ext. 1
CS@ArrowSewing.com
www.ArrowSewing.com

08-23