



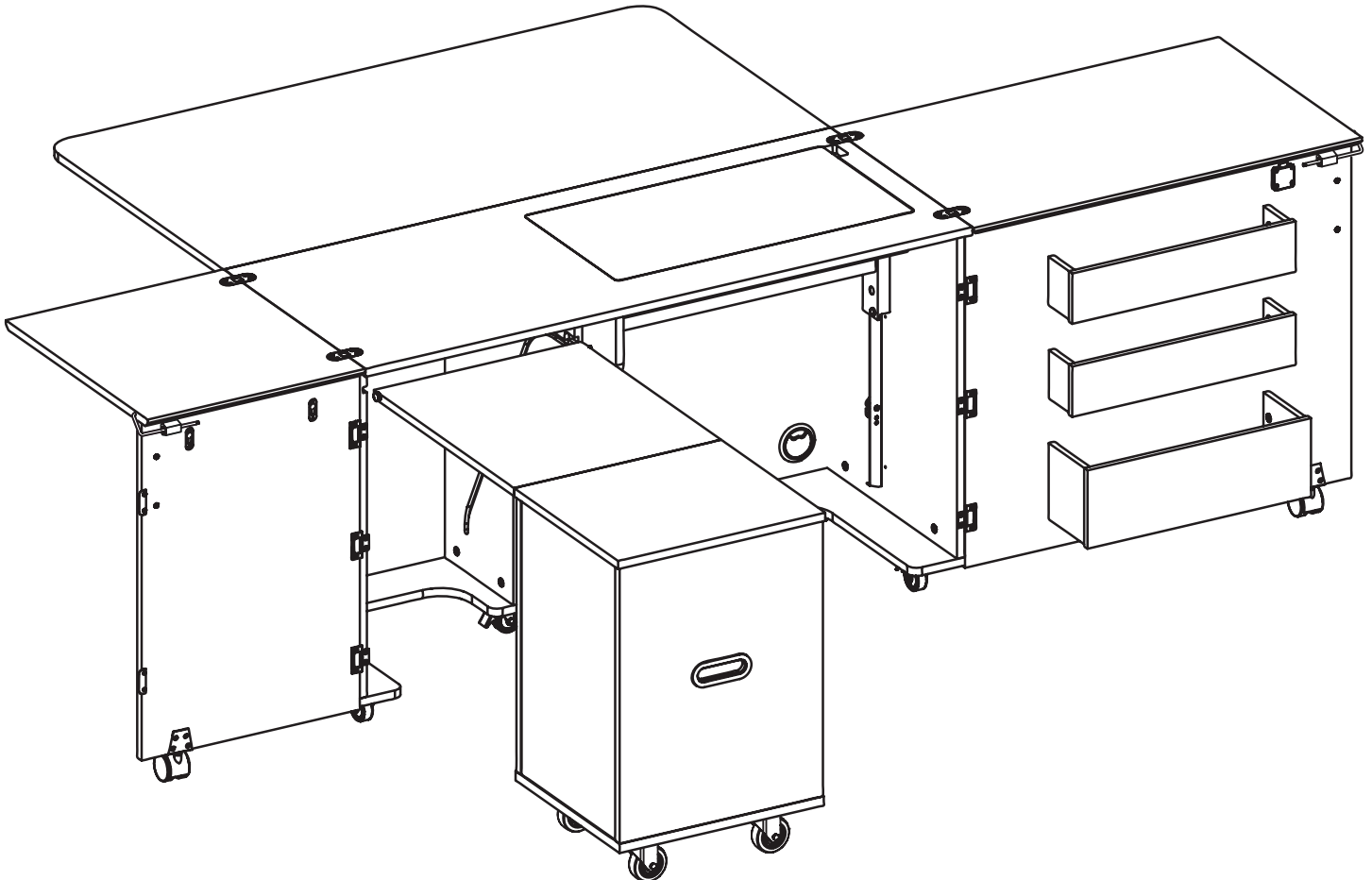
ASSEMBLY INSTRUCTIONS

Aussie

ITEM NO.:

Teak

Ash White



General Assembly Guidelines

1. Read the instructions carefully before beginning the assembly process to ensure proper assembly of this product. Please open and inspect the contents of box(es) to see that all parts and hardware are included.

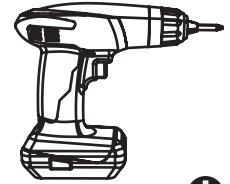
2. Tools Required



Phillips Screwdriver ⊕

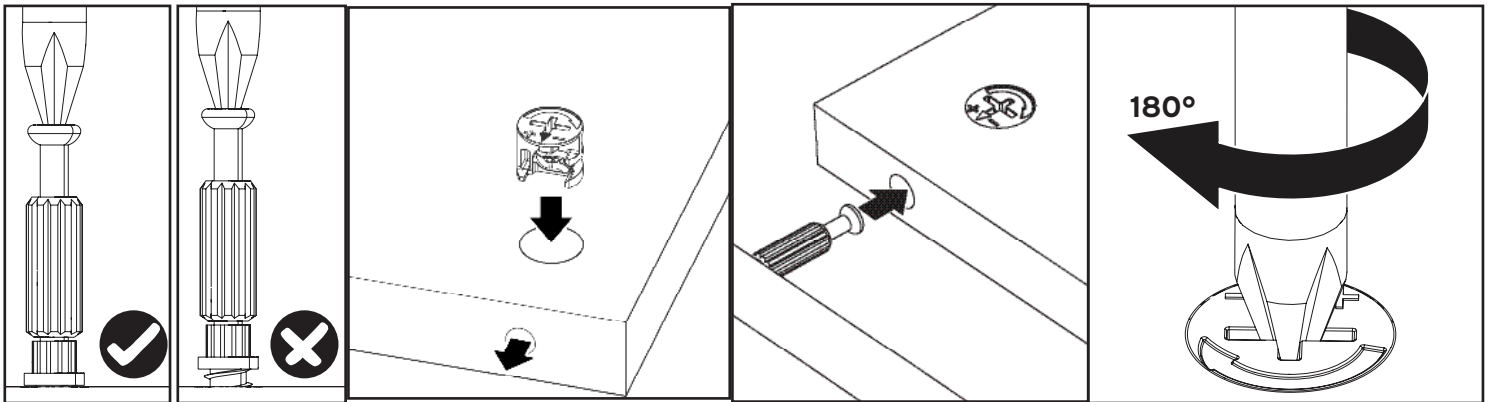


Hammer



Electric Screwdriver ⊕
Torque set to 3-5

3. Understanding How the Cam Fastener Works



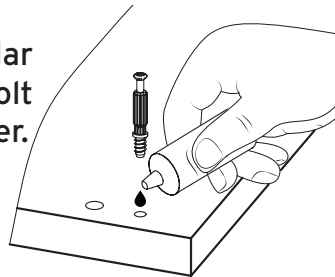
Screw cam bolts flush as illustrated.

Press cam into hole until flush with surface. The arrow direction must be in the direction of the hole.

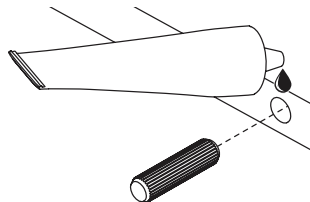
Insert bolt through pre-drilled hole in edge of panel.

Turn clockwise to lock cam with bolt.

Tip: place a small bit of WD-40 or similar lubricant into the pre-installed cam bolt holes to help the cam bolts screw in better.



4. **Glue** provided is to secure wood dowels in place and is optional. If glue is used during assembly, locate the appropriate hole for the dowel, place a small amount of glue in the hole and insert the dowel. Wipe away excess glue immediately. It is not necessary to glue the other end of the dowel when attaching to other parts.

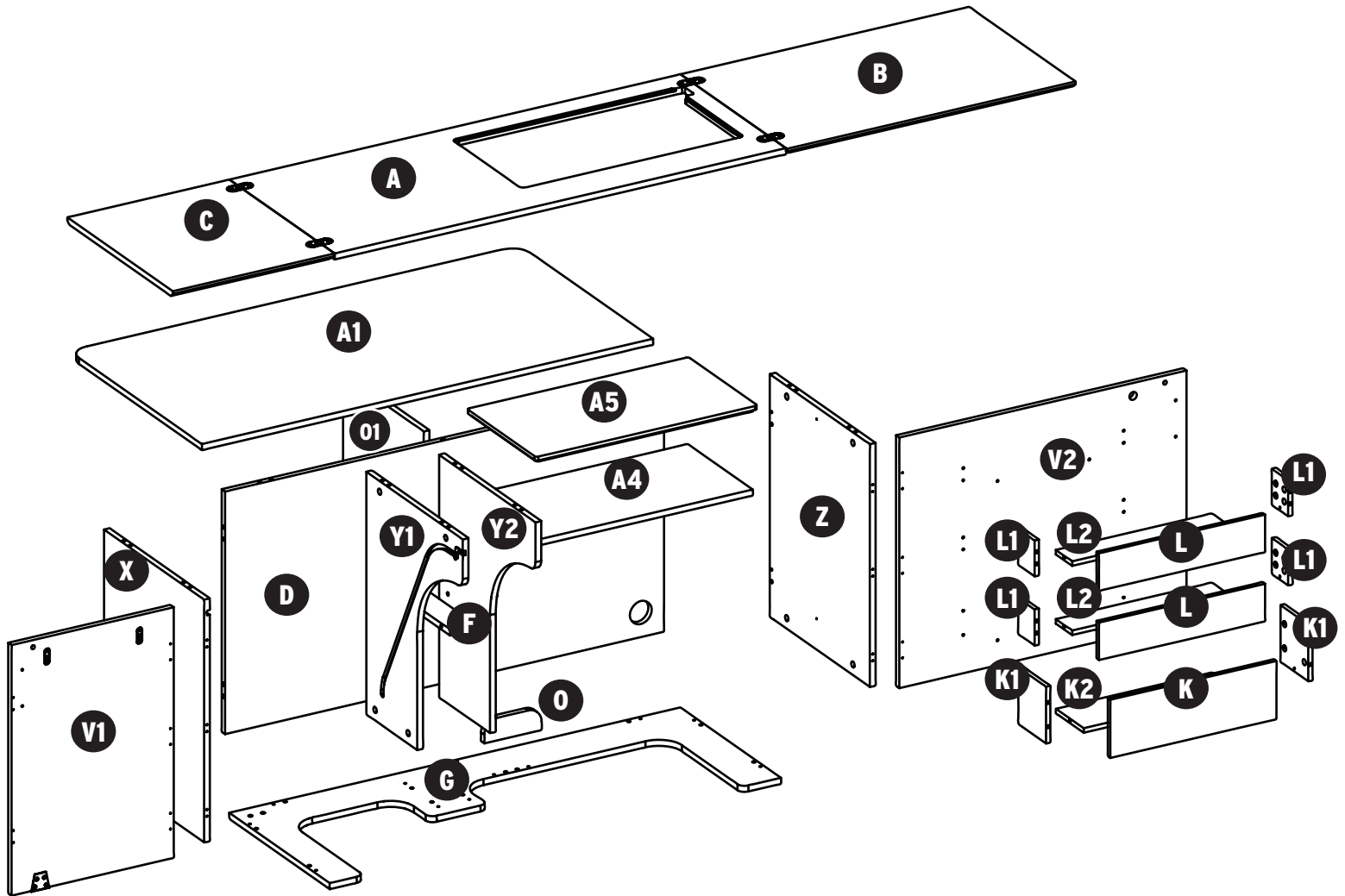


Use and Care Your cabinet normally requires a minimum amount of maintenance; however, the following points are worth noting:

Cleaning - To remove marks and enhance the surface, wipe with a gentle all-purpose cleanser. **DO NOT** use ammonia-based, harsh chemicals or abrasive cleaning agents. Wipe dry immediately.

Electrical and Hydraulic Lifts - Require annual lubrication with WD-40 or similar lubricant.

Parts List: Panels



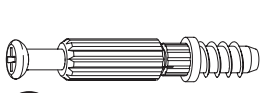
ITEM	DESCRIPTION	QTY	PACK.	ITEM	DESCRIPTION	QTY	PACK.
	Hardware & Caddy Panels*	1	1 of 5	L	Door Bin Front	2	3 of 5
A1	Quilt Extension Panel	1	2 of 5	L1	Door Bin Side	4	3 of 5
D	Back Panel	1	2 of 5	L2	Door Bin Bottom	2	3 of 5
X	Left Side Panel	1	2 of 5	K	Large Bin Front	1	3 of 5
Z	Right Side Panel	1	2 of 5	K1	Large Bin Side	2	3 of 5
A4	Platform	1	3 of 5	K2	Large Bin Bottom	1	3 of 5
F	Fixed Shelf	1	3 of 5	A5	Platform Cover	1	4 of 5
V1	Left Door Panel	1	3 of 5	A	Top Panel	1	4 of 5
V2	Right Door Panel	1	3 of 5	B	Right Leaf	1	4 of 5
Y1	Left Partition Panel	1	3 of 5	C	Left Leaf	1	4 of 5
Y2	Right Partition Panel	1	3 of 5	G	Bottom Panel	1	4 of 5
O	Insert Holder	1	3 of 5		Lift and Rails	1	5 of 5
O1	Gate Leg	1	3 of 5				

*Instructions for assembling the Caddy begin on Page 23 of this manual.

Parts List

TIP: Keep all the parts in their individually labeled bags. This will make finding parts easier as you assemble your cabinet.

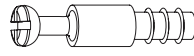
The hardware counts below **DO NOT** include hardware for the Caddy. If you would like to begin by building the Caddy, please turn to Page 23 of this manual.



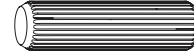
c1 6x35 Cam Bolt **x28**



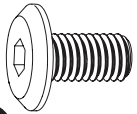
c2 5/8" Cam Cover **x70**



c3 6x25 Cam Bolt **x42**



d1 8x30 Dowel Pin **x30**



b1 8x16 Fix Bolt **x20**



b2 4x20 Fix Bolt **x4**



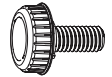
s1 3.5x14 Screw **x44**



s2 3x14 Screw **x30**



s4 3x20 Screw **x4**



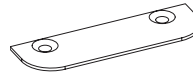
s5 Alignment Pin **x1**



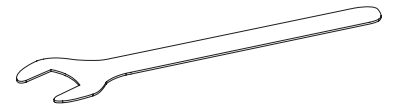
a Allen Wrench **x1**



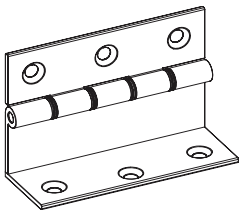
h Handle **x2**



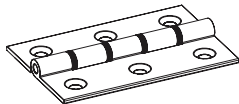
d3 Door Plate **x2**



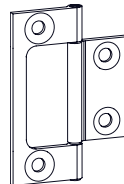
r3 14mm Wrench **x1**



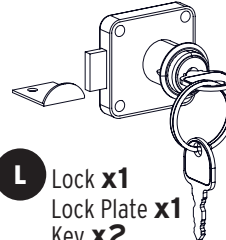
h3 Flap Hinge **x3**



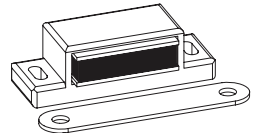
h1 Butt Hinge **x2**



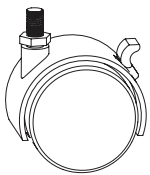
h2 Flush Hinge **x6**



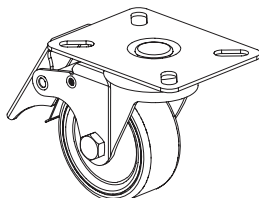
L Lock **x1**
Lock Plate **x1**
Key **x2**



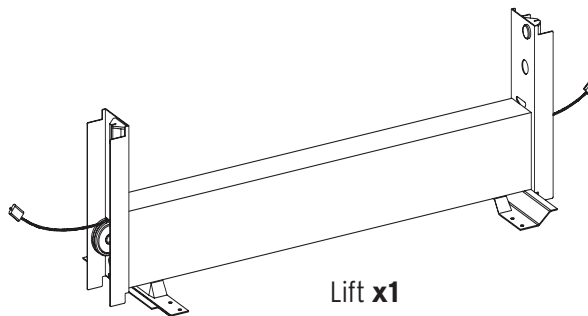
m Magnet **x1**
Catch Plate **x1**



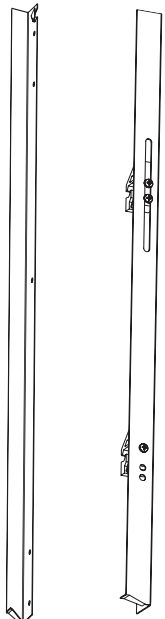
t1 Caster **x3**



t2 Locking Plate Caster **x5**



Lift **x1**



Lift Rail (Left) **x1**

Lift Rail (Right) **x1**

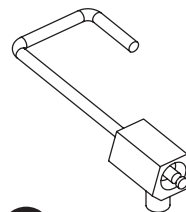
Pre-installed parts

c5
Cam Lock

Caster Bracket

Panel Connector

h4
Snag Free Hinge

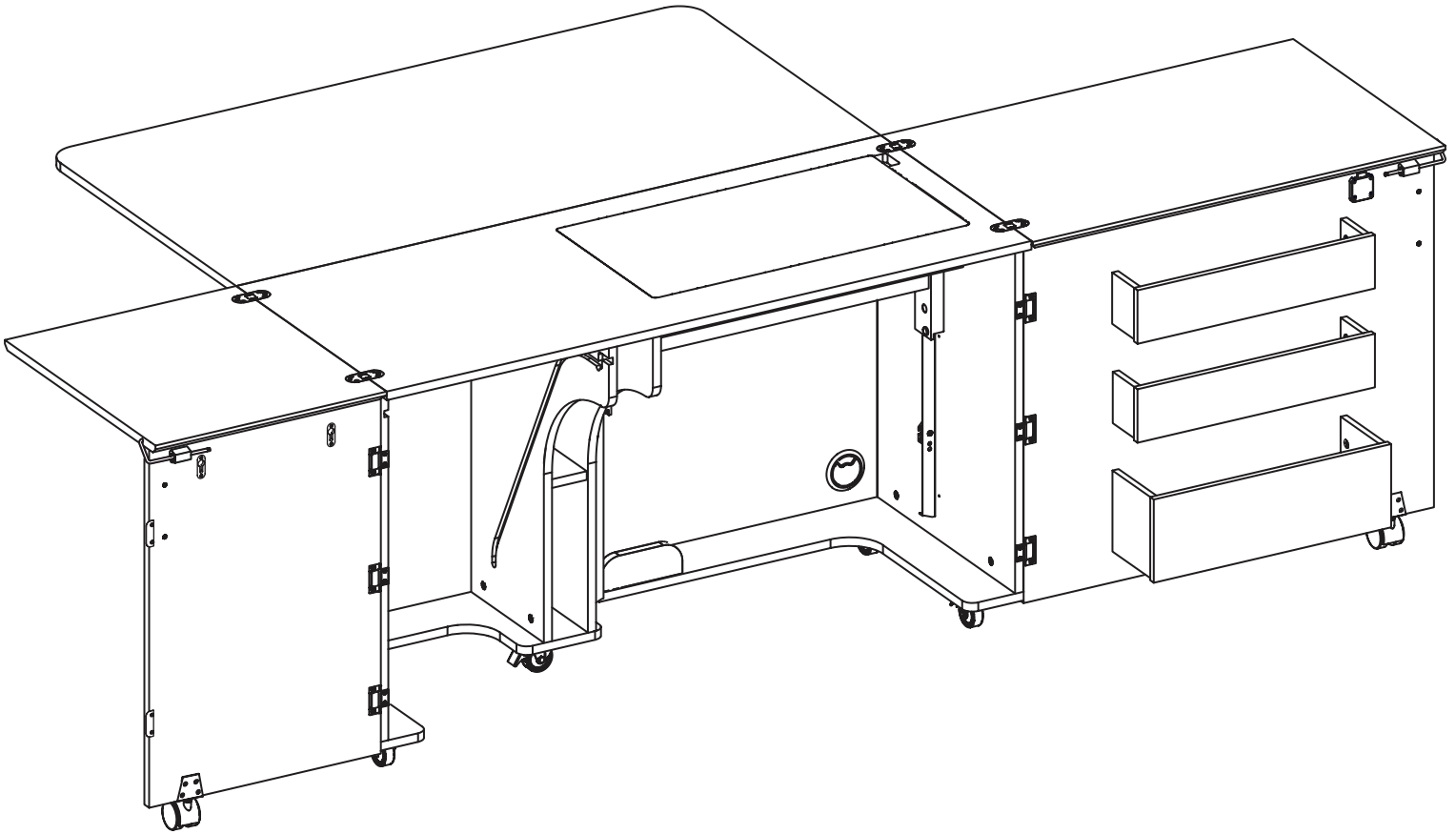


d Door Hook **x2**

Part 1: Main Cabinet

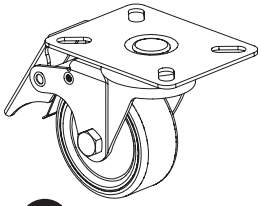
We can't wait to get your brand new Aussie Sewing Cabinet up and running! Please contact our Customer Service Team at 1-800-533-7347, ext. 1 during normal business hours with any assembly related questions.

Begin by unpacking Box 1. You will find all of the hardware necessary for this assembly project, along with panels for the construction of the Caddy. Unpack the hardware at this time and set Caddy panels aside. If you prefer to begin by building the Caddy, please turn to Page 23 of this manual.

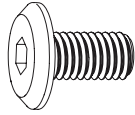


Refer to the packing chart on Page 3 for panel locations.

Main Cabinet Step 1: Base



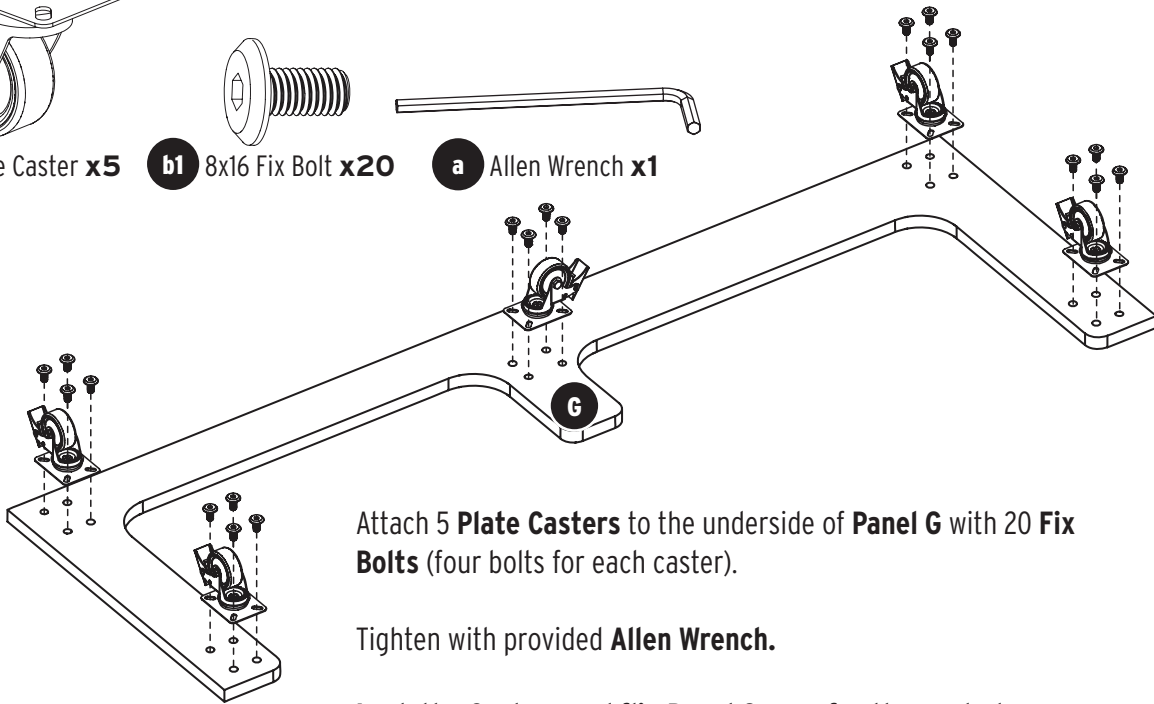
t2 Plate Caster **x5**



b1 8x16 Fix Bolt **x20**



a Allen Wrench **x1**



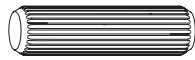
Attach 5 **Plate Casters** to the underside of **Panel G** with 20 **Fix Bolts** (four bolts for each caster).

Tighten with provided **Allen Wrench**.

Lock the Casters and flip Panel G over for the next step



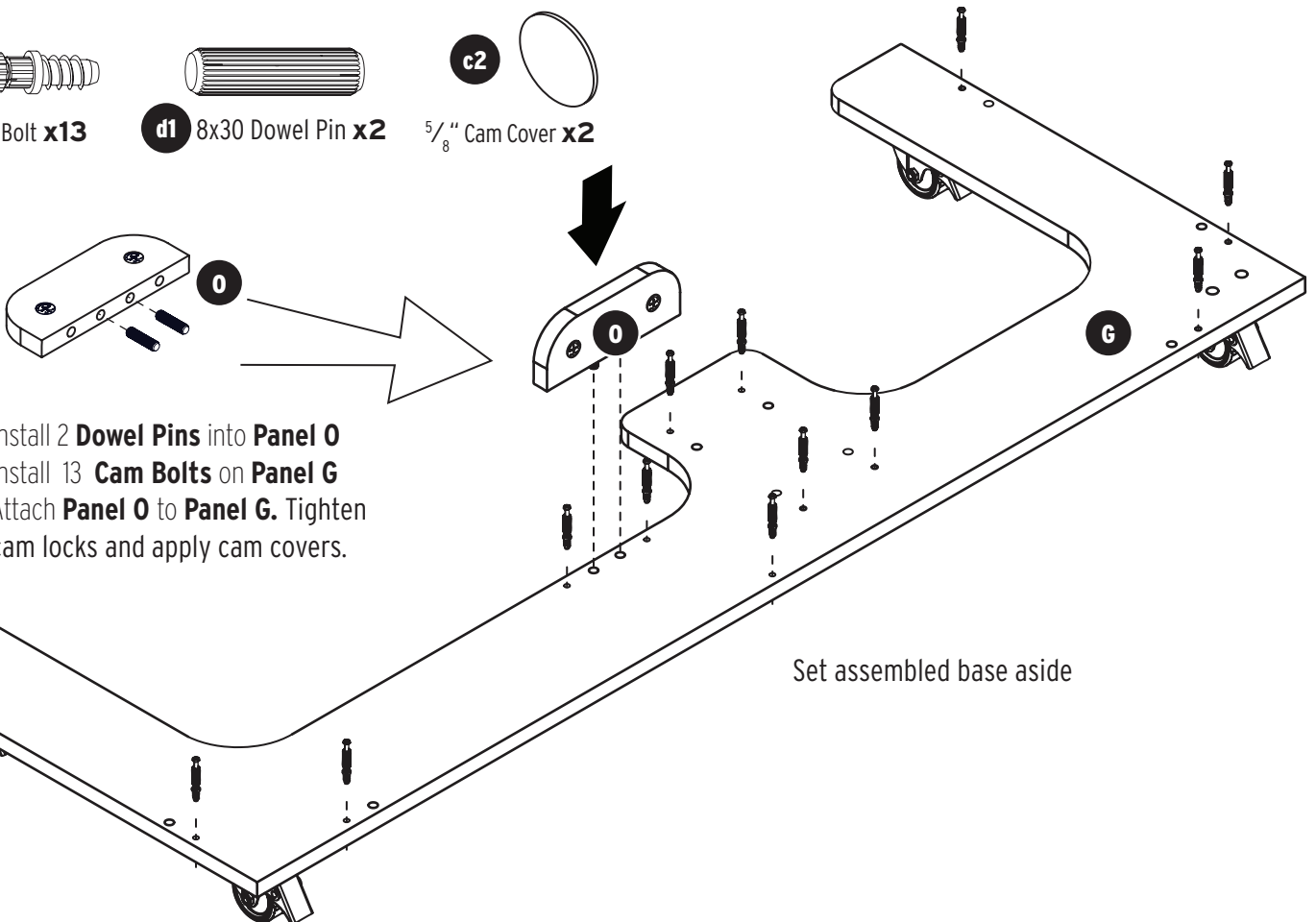
c1 6x35 Cam Bolt **x13**



d1 8x30 Dowel Pin **x2**



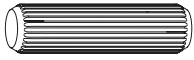
c2 $\frac{5}{8}$ " Cam Cover **x2**



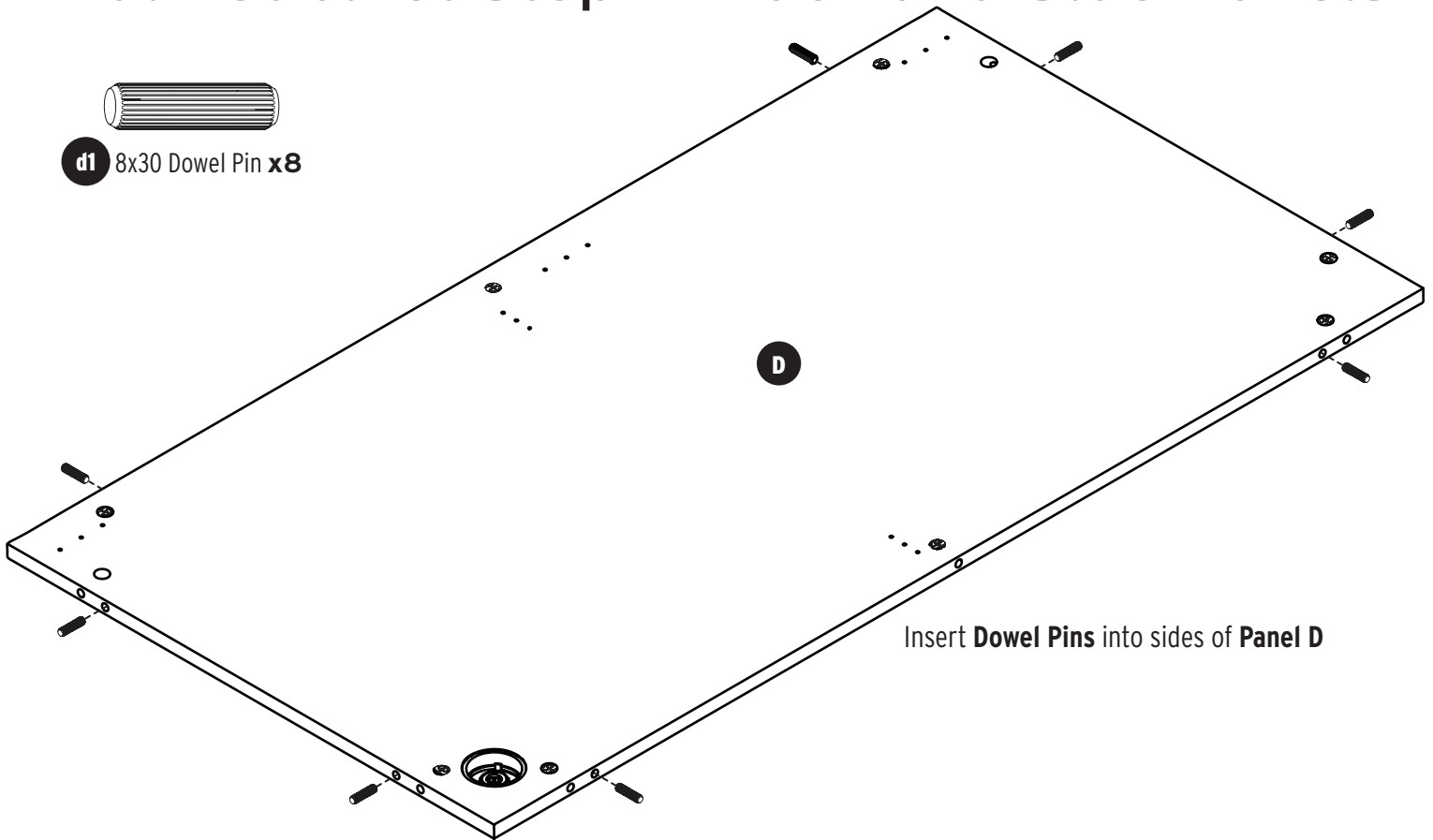
Install 2 **Dowel Pins** into **Panel O**
Install 13 **Cam Bolts** on **Panel G**
Attach **Panel O** to **Panel G**. Tighten cam locks and apply cam covers.

Set assembled base aside

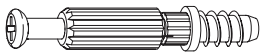
Main Cabinet Step 2: Back and Side Panels



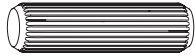
d1 8x30 Dowel Pin **x8**



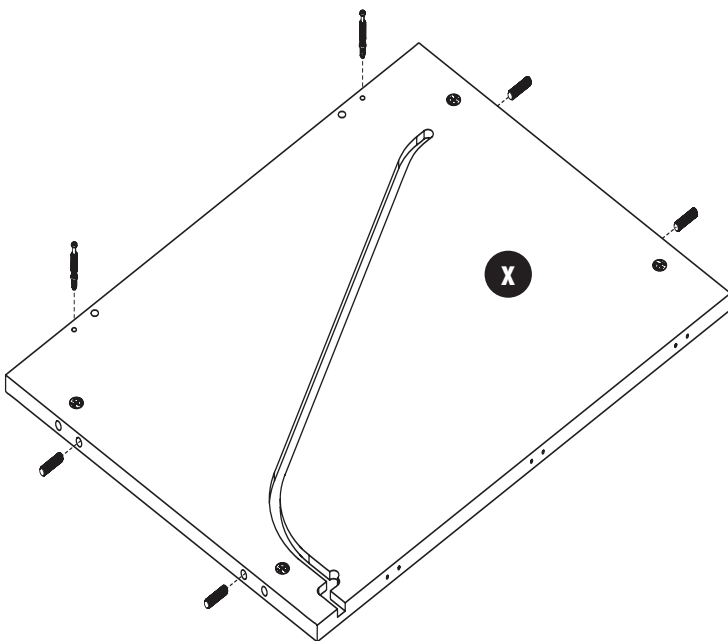
Insert **Dowel Pins** into sides of **Panel D**



c1 6x35 Cam Bolt **x4**

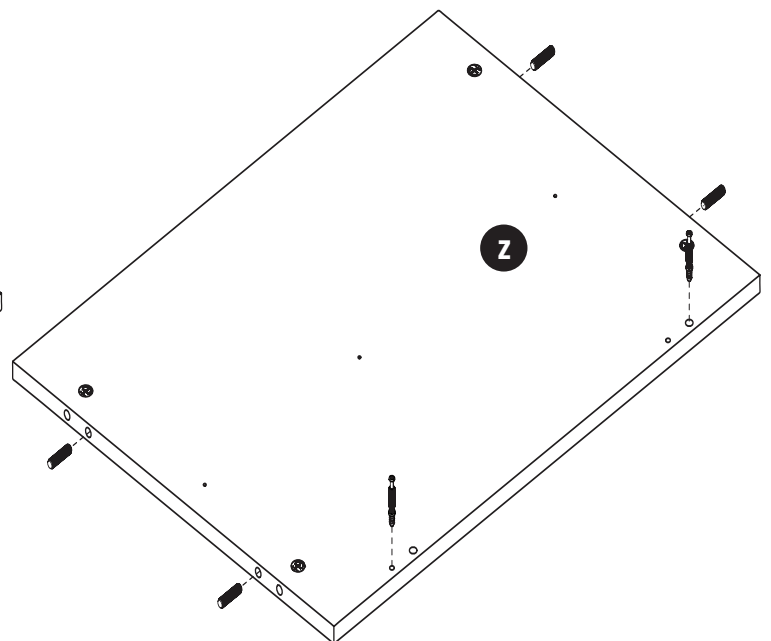


d1 8x30 Dowel Pin **x8**



Install 2 **Cam Bolts** in **Panel X**

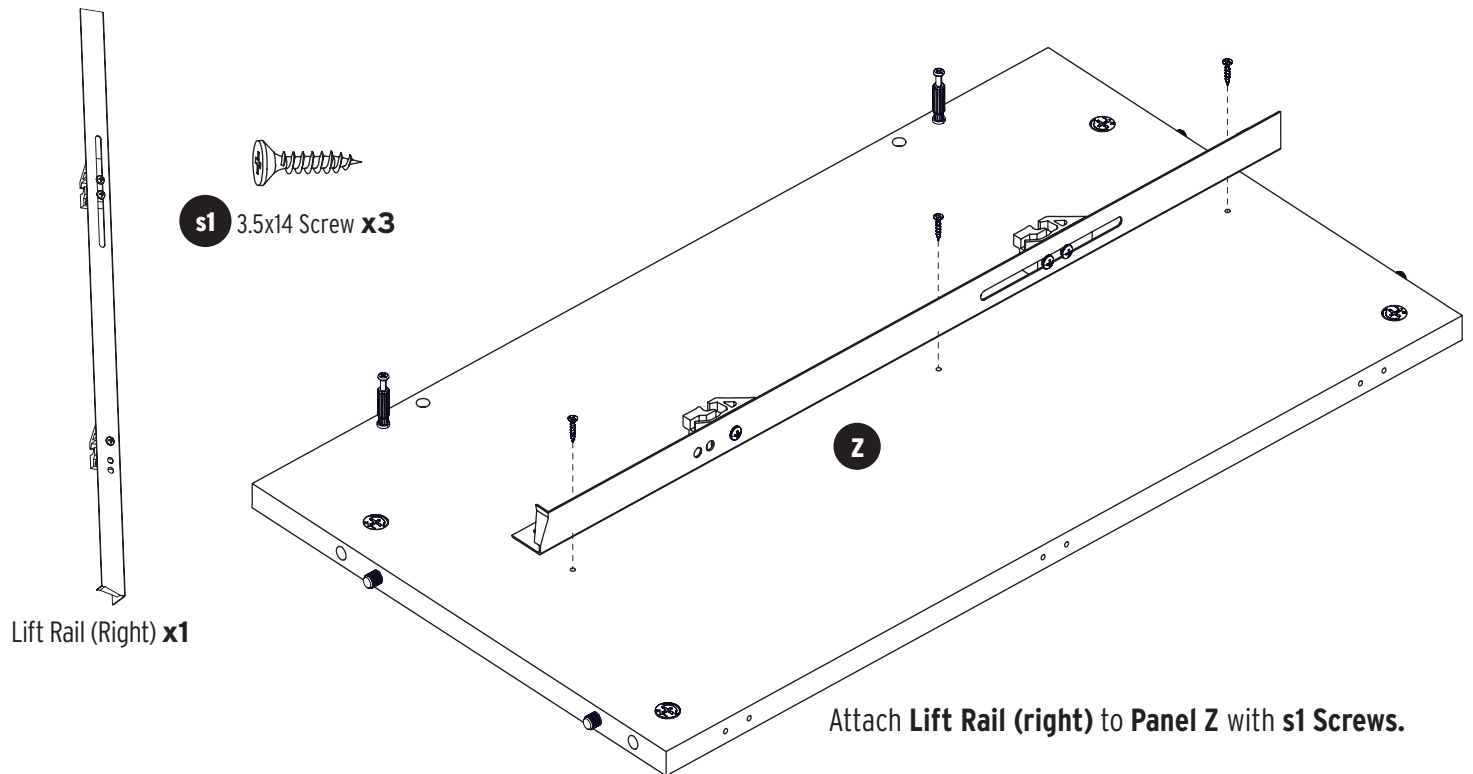
Insert 4 **Dowel Pins** in **Panel X**



Install 2 **Cam Bolts** in **Panel Z**

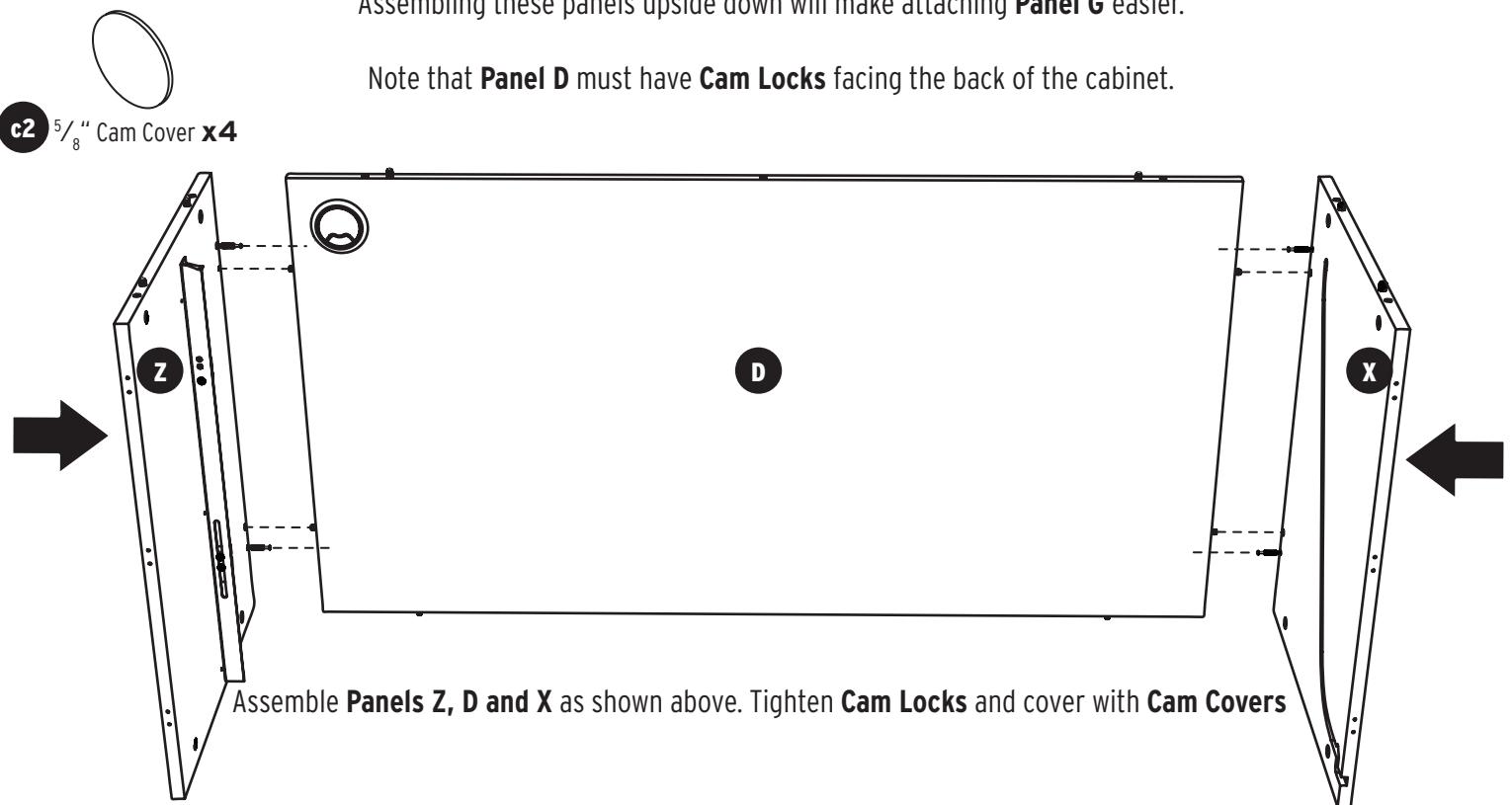
Insert 4 **Dowel Pins** in **Panel Z**

Main Cabinet Step 2: Back and Side Panels

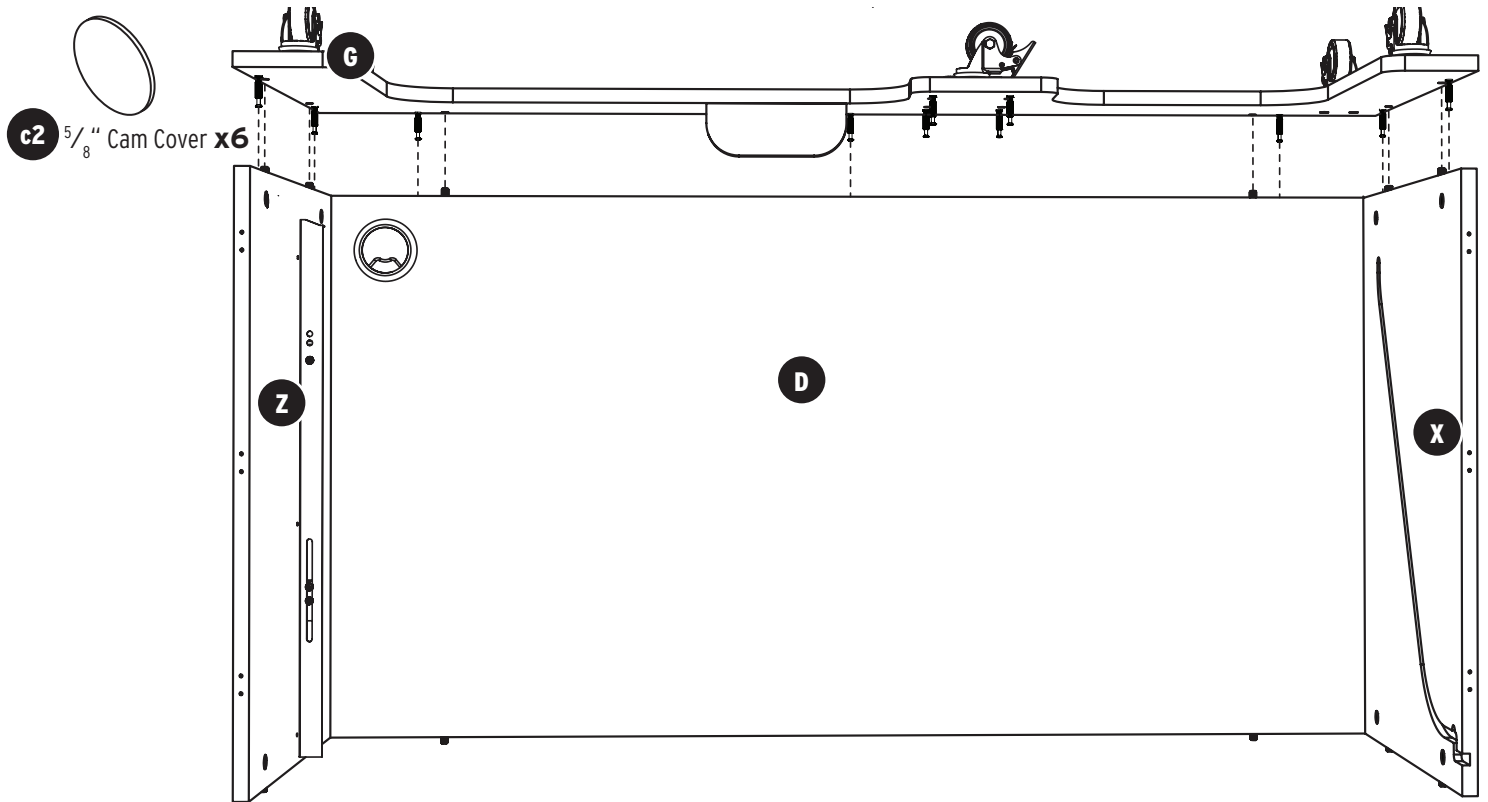


NOTE: The illustration below shows upside down assembly of **Panels D, X and Z**.
Assembling these panels upside down will make attaching **Panel G** easier.

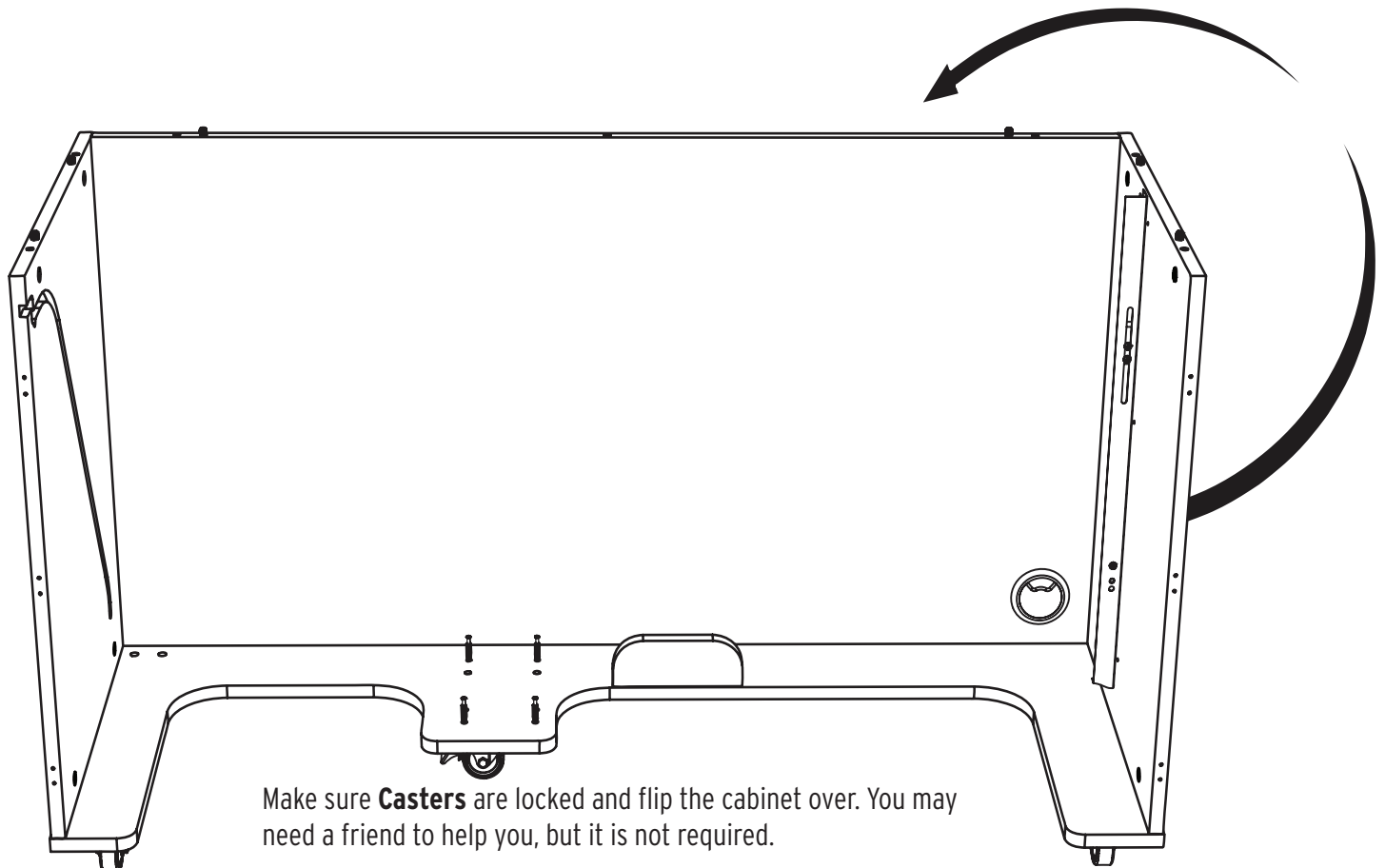
Note that **Panel D** must have **Cam Locks** facing the back of the cabinet.



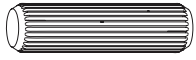
Main Cabinet Step 2: Back and Side Panels



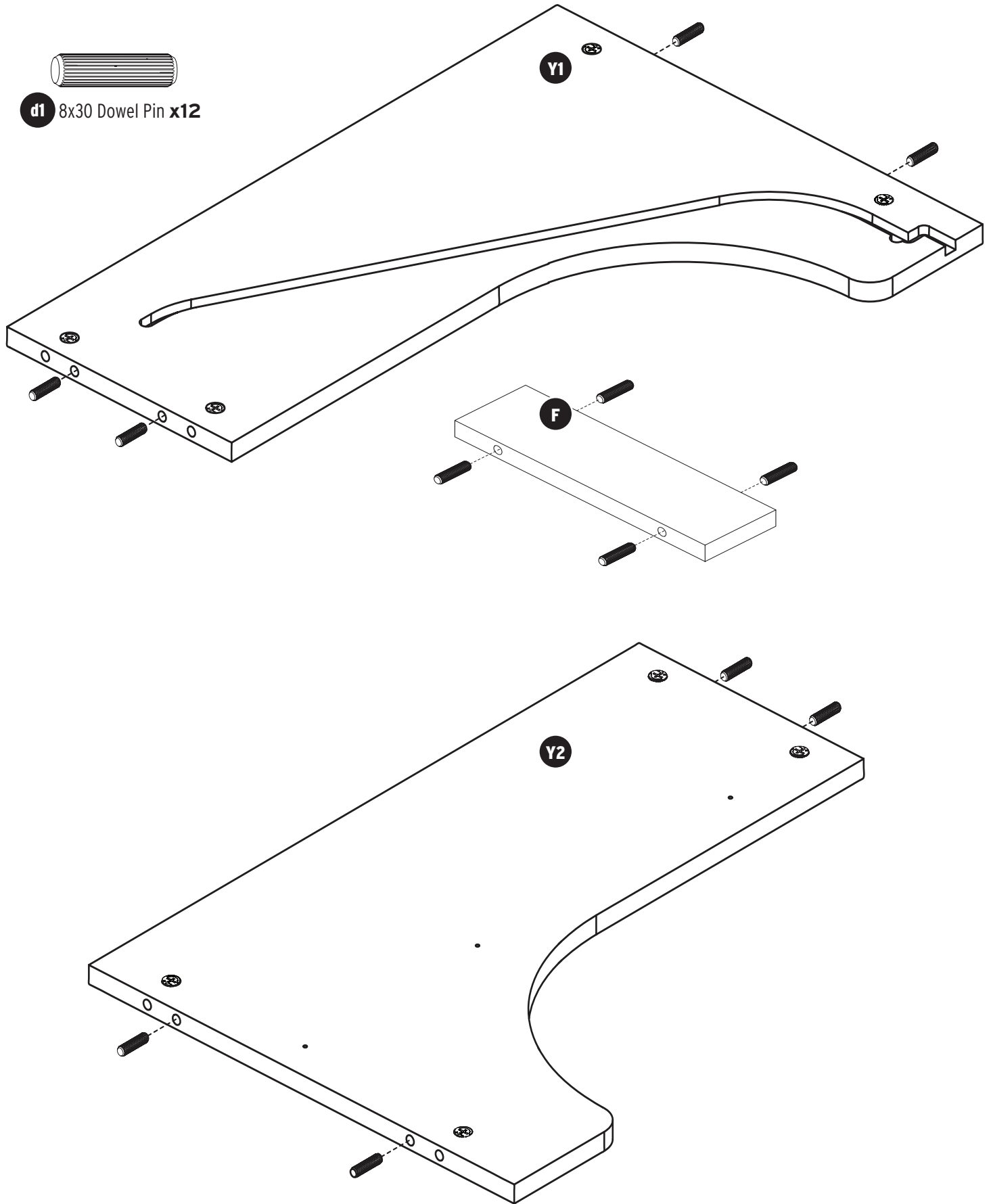
Attach **Panel G** as shown. Tighten **Cam Locks** and cover with **Cam Covers**.



Main Cabinet Step 3: Center Panels

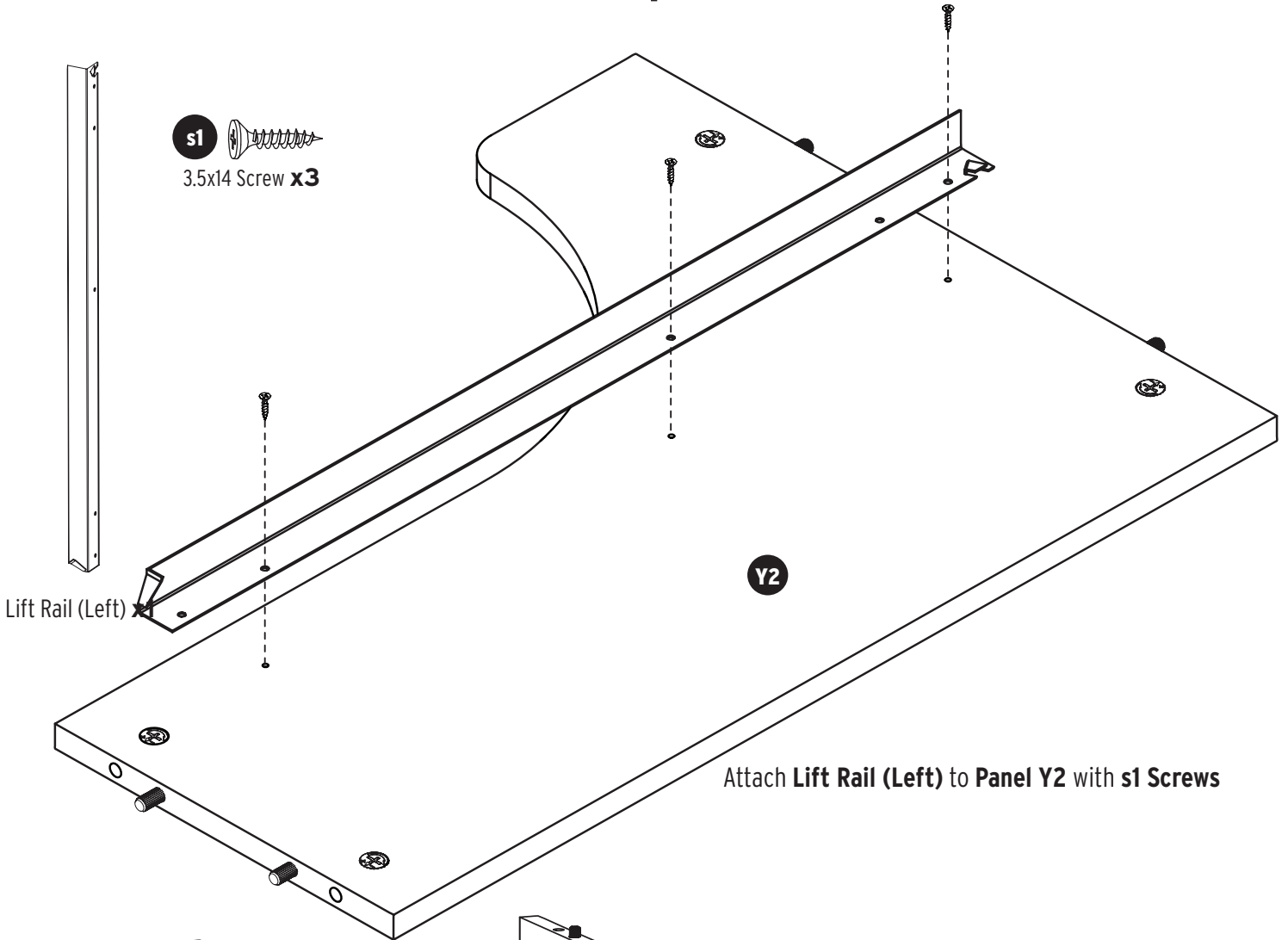


d1 8x30 Dowel Pin **x12**

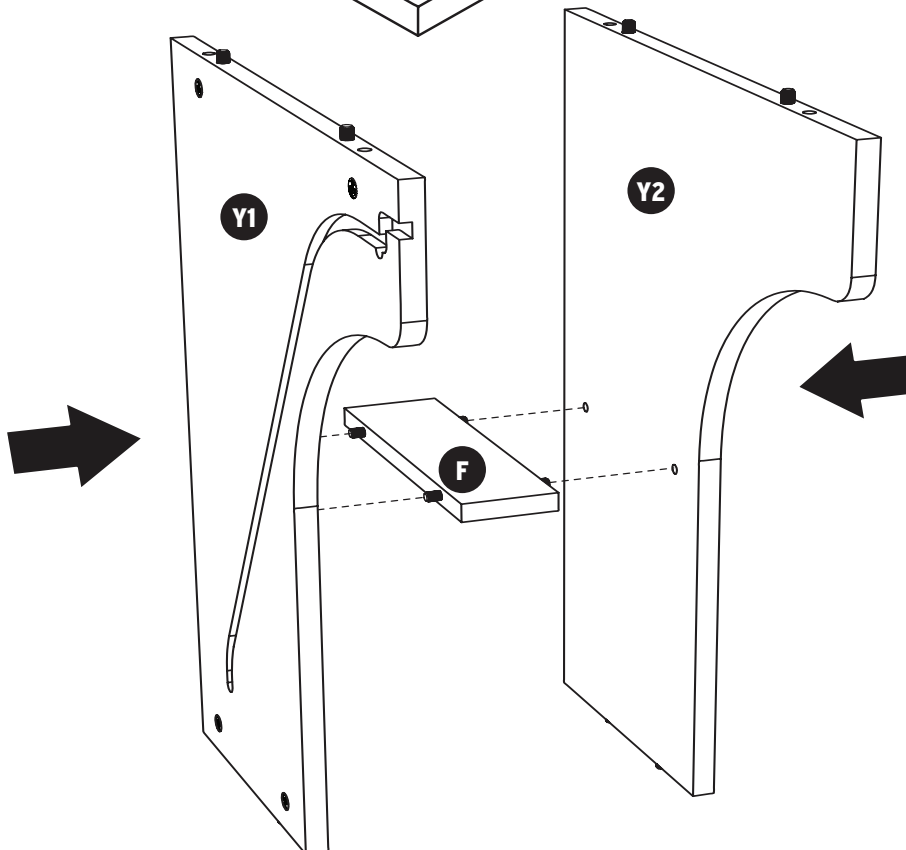


Insert **Dowel Pins** into the edges of **Panels Y1, Y2 and F**

Main Cabinet Step 3: Center Panels

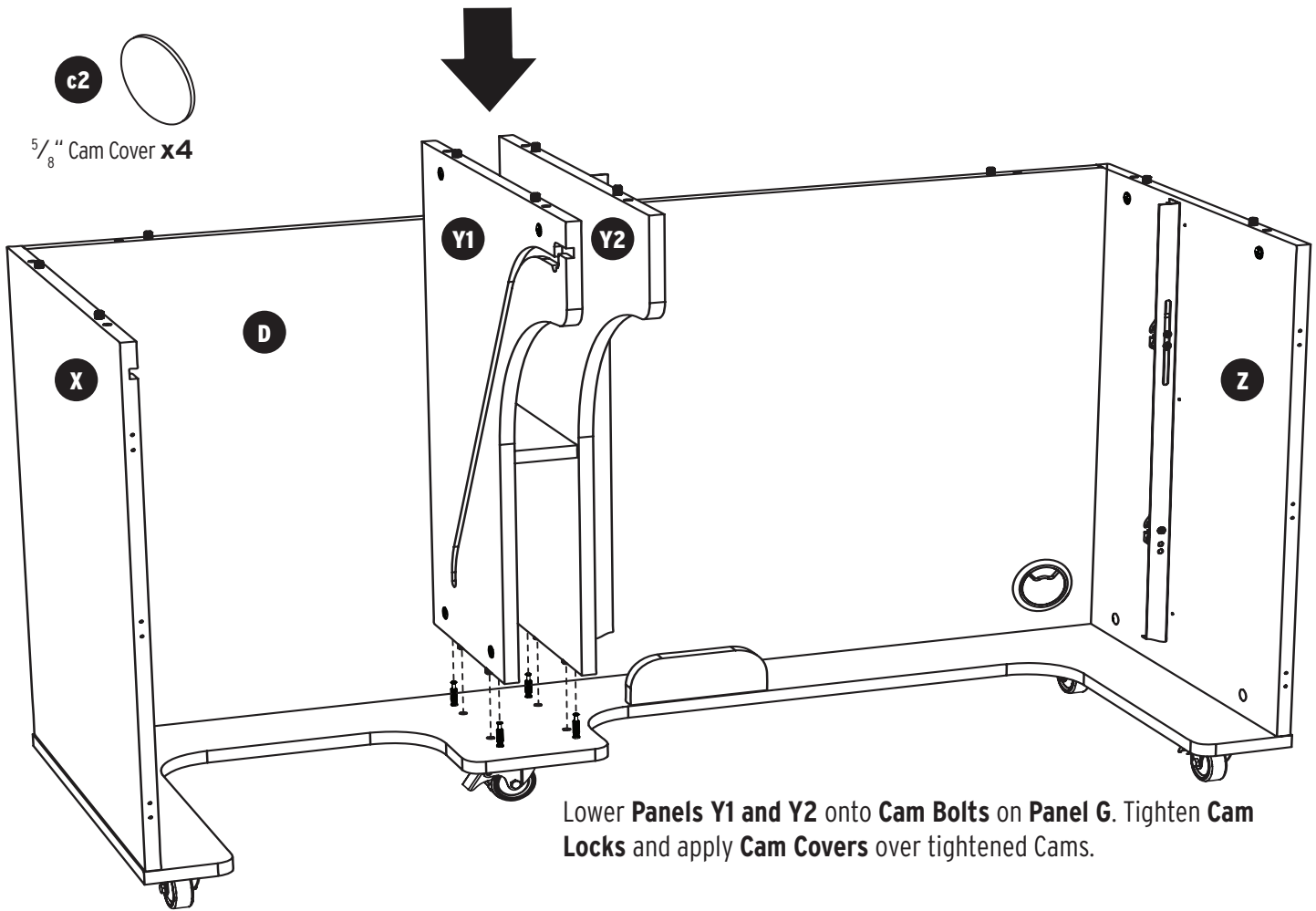


Attach **Lift Rail (Left)** to **Panel Y2** with **s1** Screws



Slide **Dowel Pins** on **Panel F** into **Panels Y1** and **Y2** as shown.

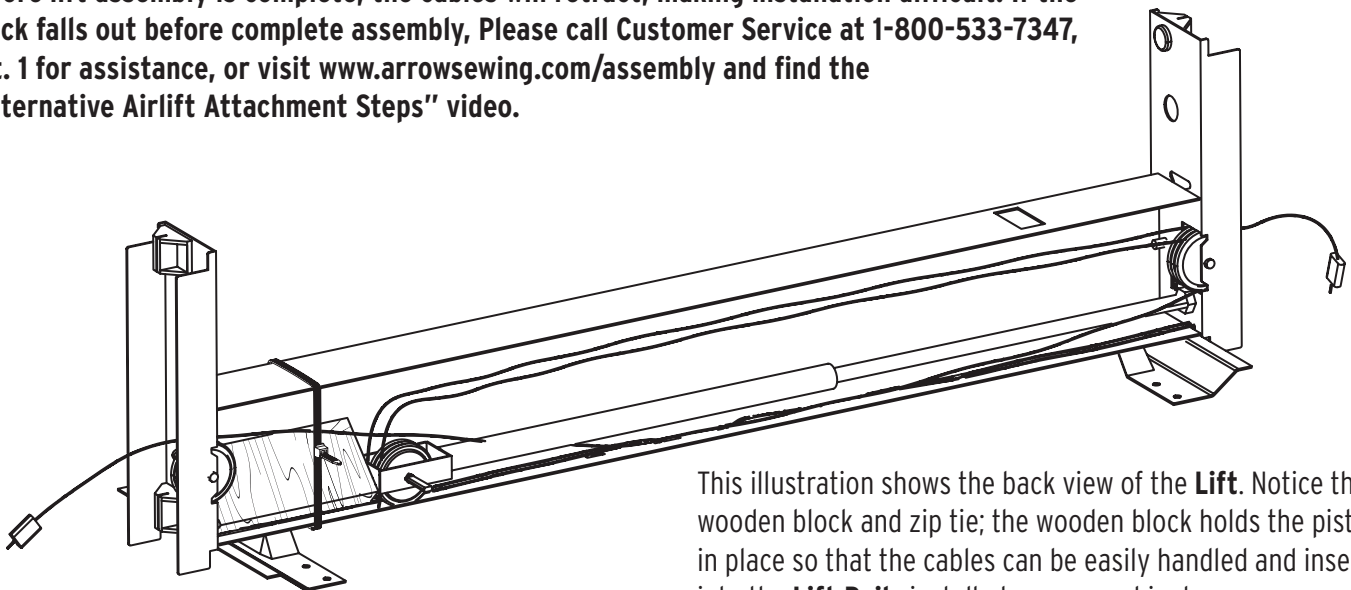
Main Cabinet Step 3: Center Panels



Lower **Panels Y1 and Y2** onto **Cam Bolts** on **Panel G**. Tighten **Cam Locks** and apply **Cam Covers** over tightened Cams.

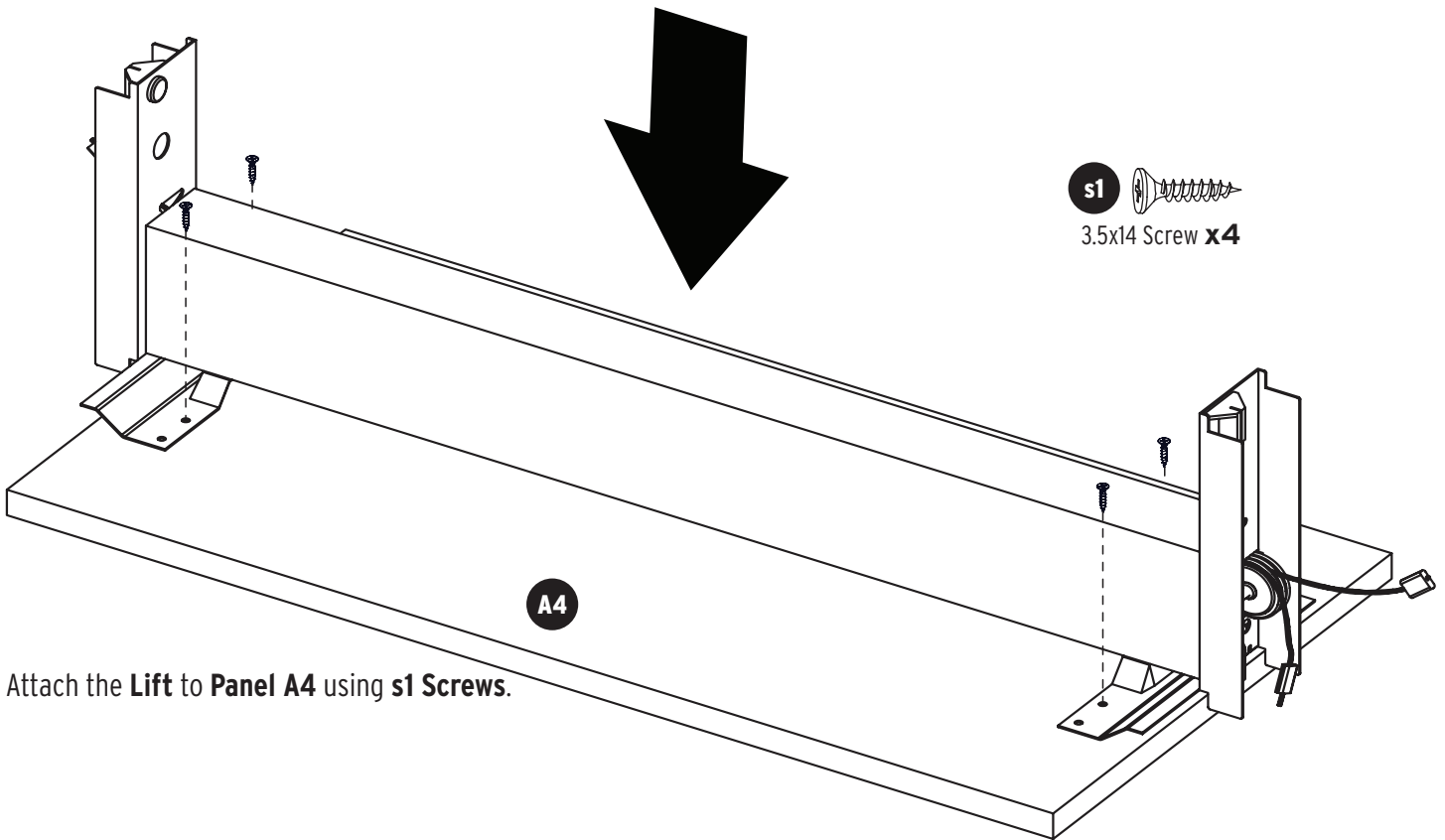
LIFT INSTALLATION WARNING:

DO NOT remove the small wooden block from the Lift until assembly is complete. If the block is removed or falls out before lift assembly is complete, the cables will retract, making installation difficult. If the block falls out before complete assembly, Please call Customer Service at 1-800-533-7347, ext. 1 for assistance, or visit www.arrowsewing.com/assembly and find the "Alternative Airlift Attachment Steps" video.



This illustration shows the back view of the **Lift**. Notice the wooden block and zip tie; the wooden block holds the piston in place so that the cables can be easily handled and inserted into the **Lift Rails** installed on your cabinet.

Main Cabinet Step 4: Lift Panel



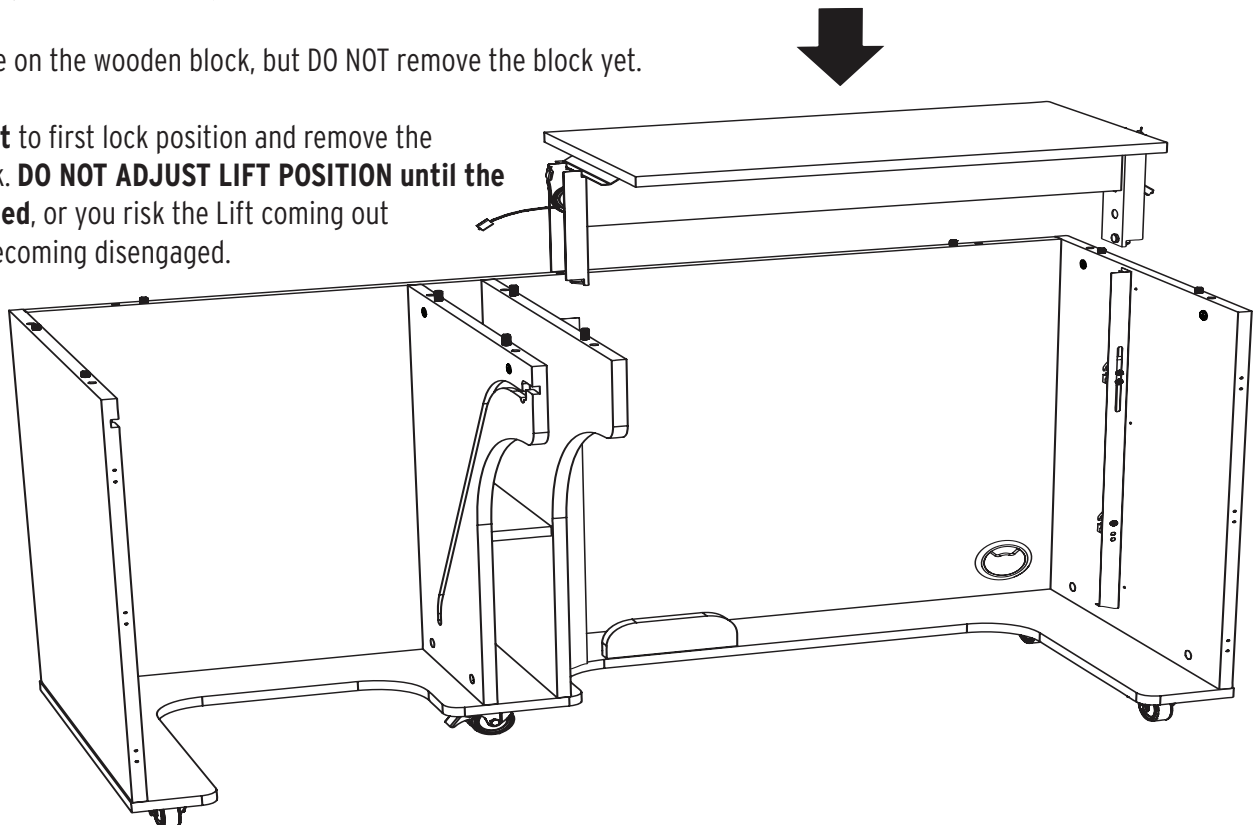
Attach the **Lift** to **Panel A4** using **s1 Screws**.

Guide **Lift** onto **Lift Rails** using plastic guides. Insert ends of cable into rail tabs; make sure the cable is hooked into the rail tabs on both sides.

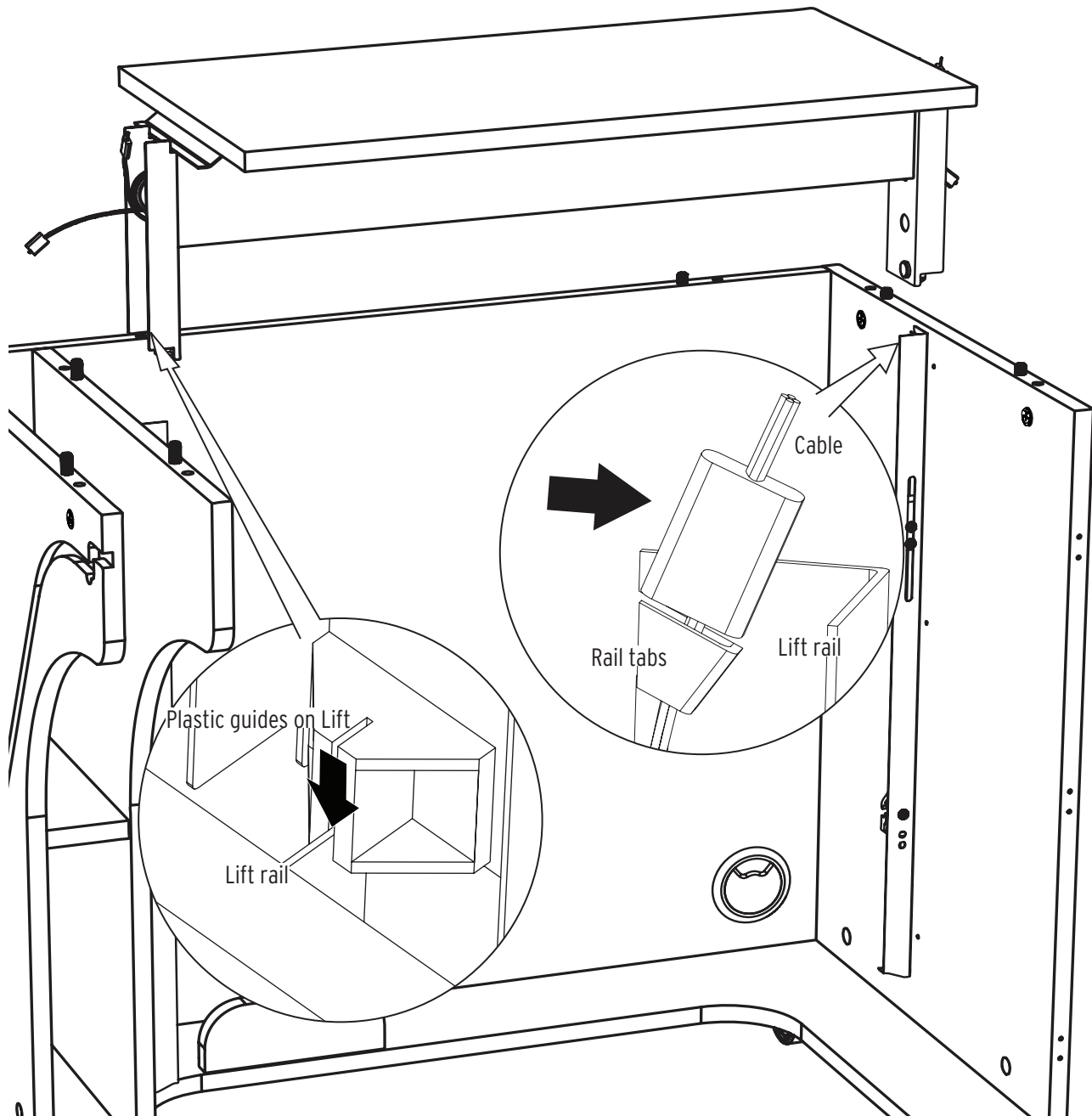
NOTE: See Page 14 for close-up illustrations of Lift Panel assembly.

Cut the zip tie on the wooden block, but DO NOT remove the block yet.

Lower the **Lift** to first lock position and remove the wooden block. **DO NOT ADJUST LIFT POSITION until the top is installed**, or you risk the Lift coming out and cables becoming disengaged.

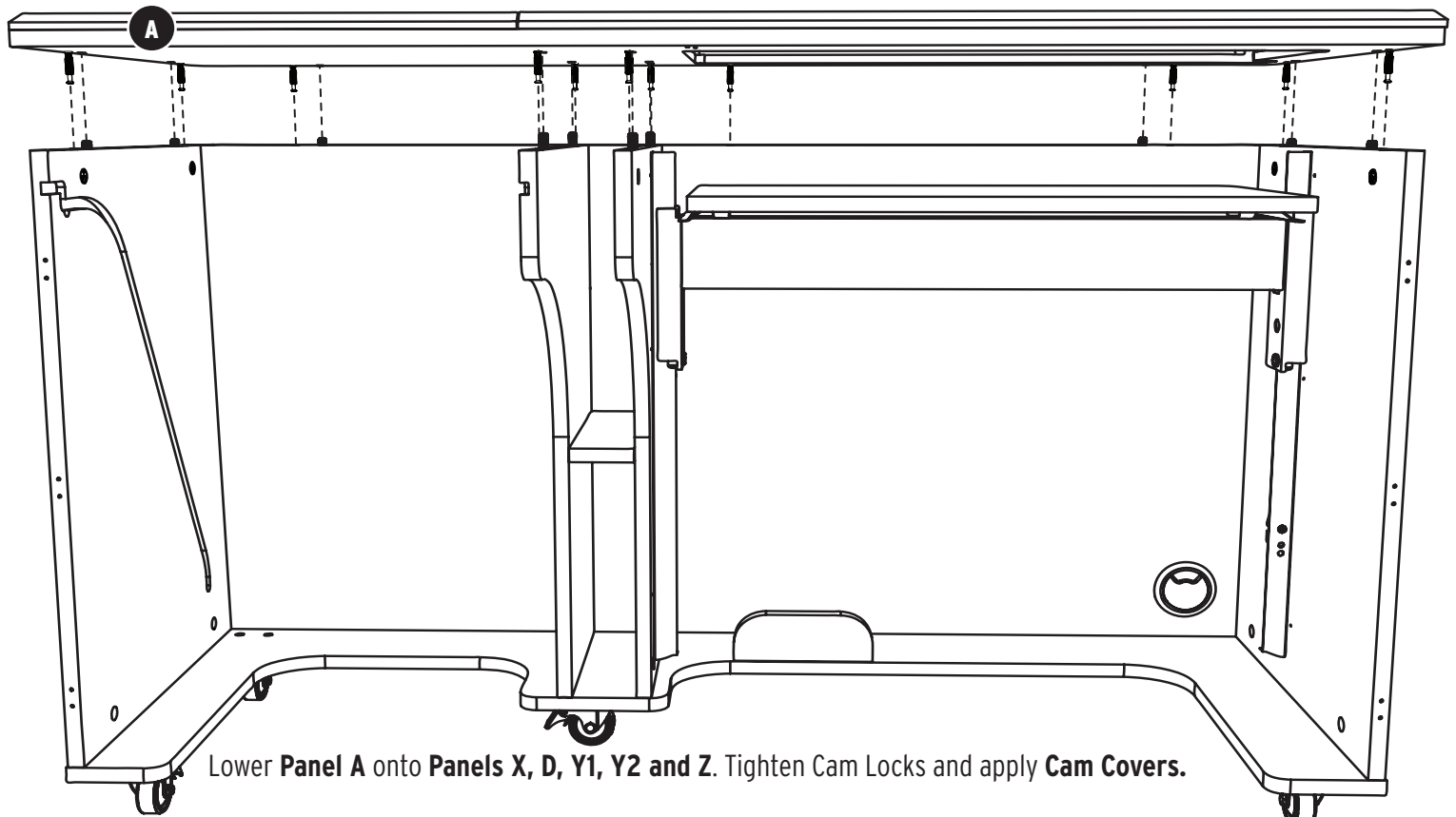
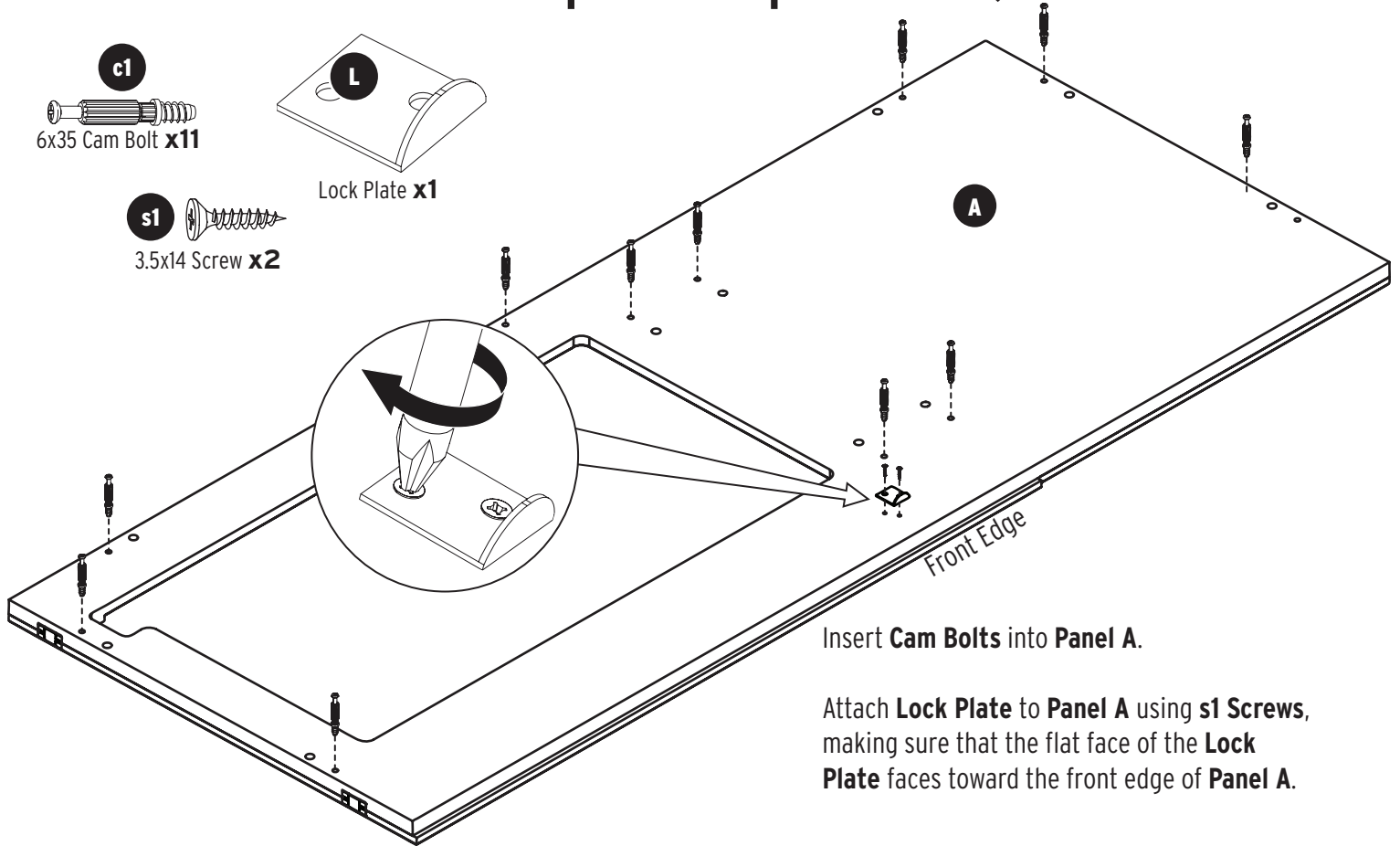


Main Cabinet Step 4: Lift Panel



REMINDER: Our Customer Service Team is available for any assembly related questions. Please call 1-800-533-7347, ext. 1 to speak with an Assembly Expert.

Main Cabinet Step 5: Top and Quilt Panel



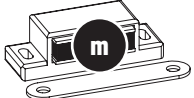
Main Cabinet Step 5: Top and Quilt Panel



s1
3.5x14 Screw **x6**



s2
3x14 Screw **x2**



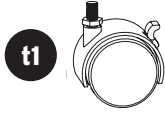
m
Magnet **x1**



s5
Alignment Pin **x1**



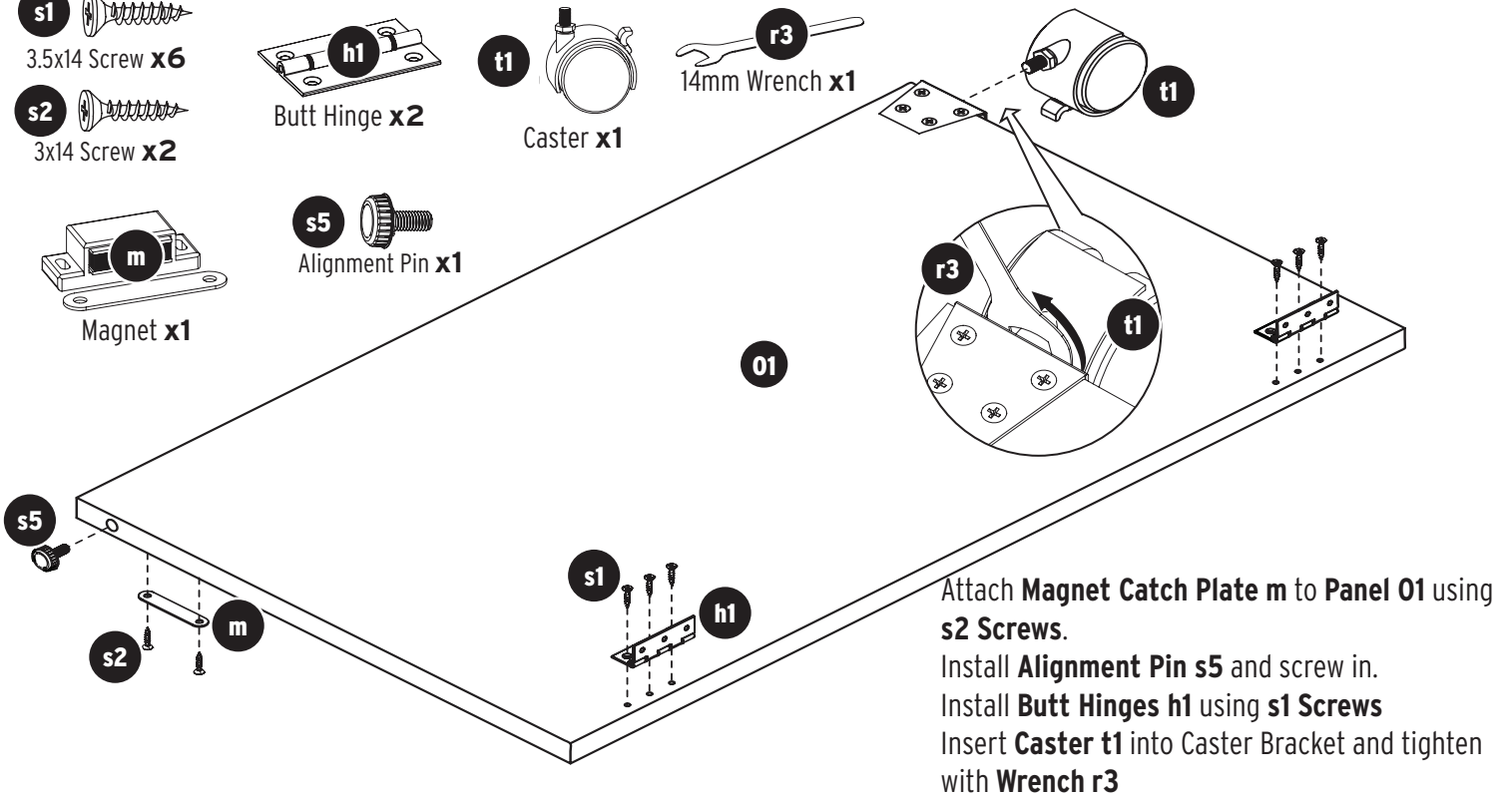
h1
Butt Hinge **x2**



t1
Caster **x1**



r3
14mm Wrench **x1**



Attach **Magnet Catch Plate m** to **Panel 01** using **s2 Screws**.

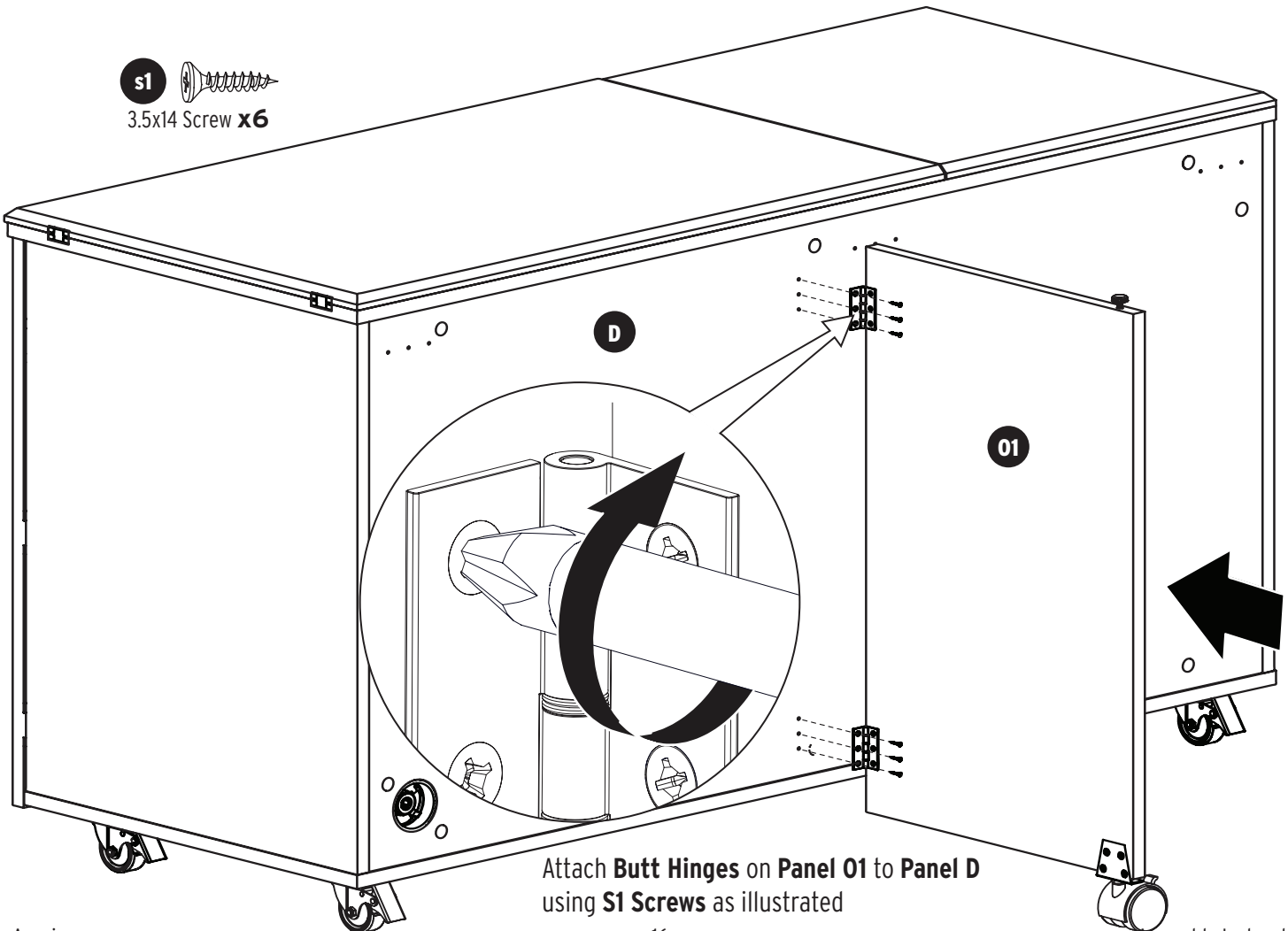
Install **Alignment Pin s5** and screw in.

Install **Butt Hinges h1** using **s1 Screws**

Insert **Caster t1** into Caster Bracket and tighten with **Wrench r3**

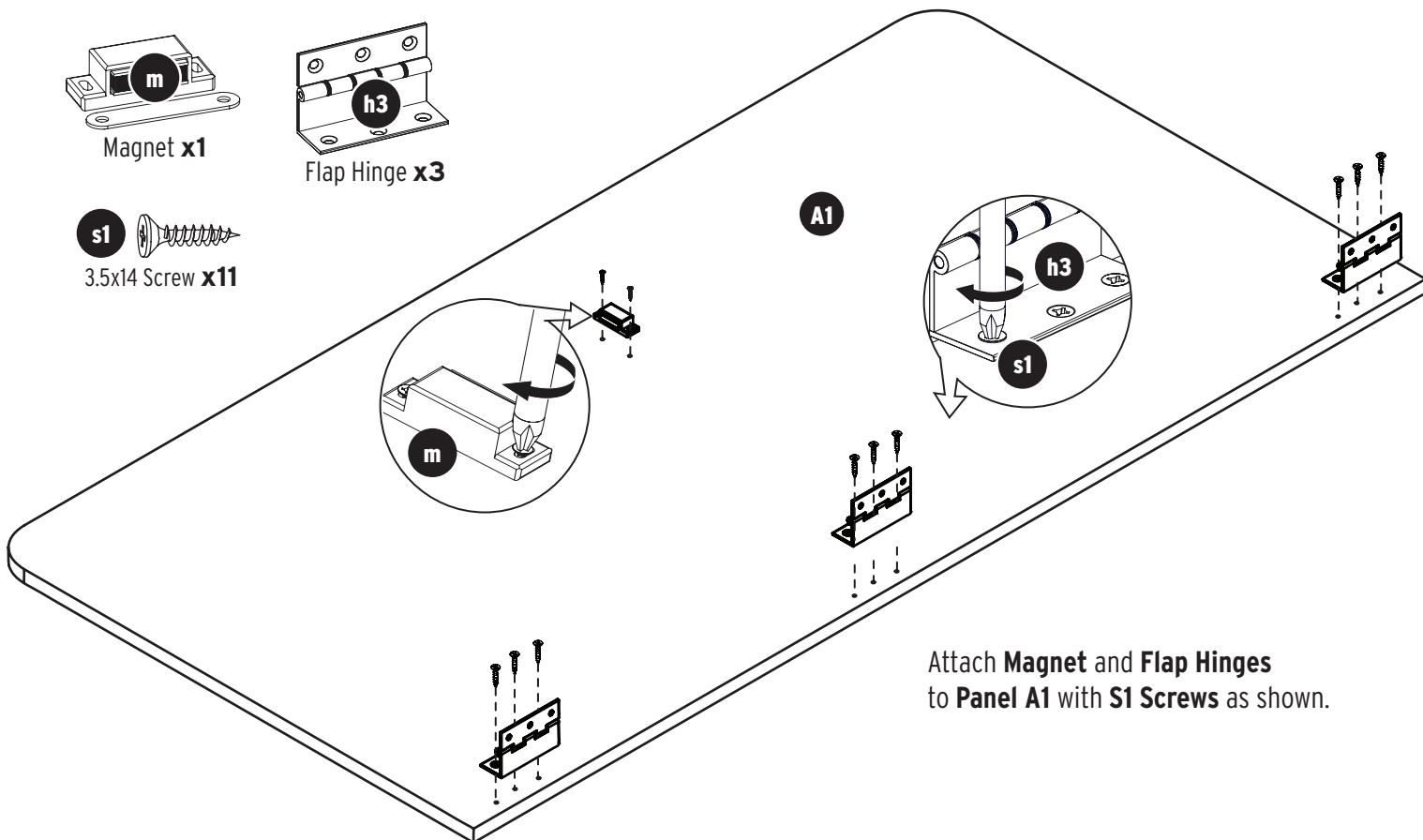
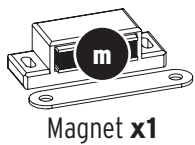


s1
3.5x14 Screw **x6**

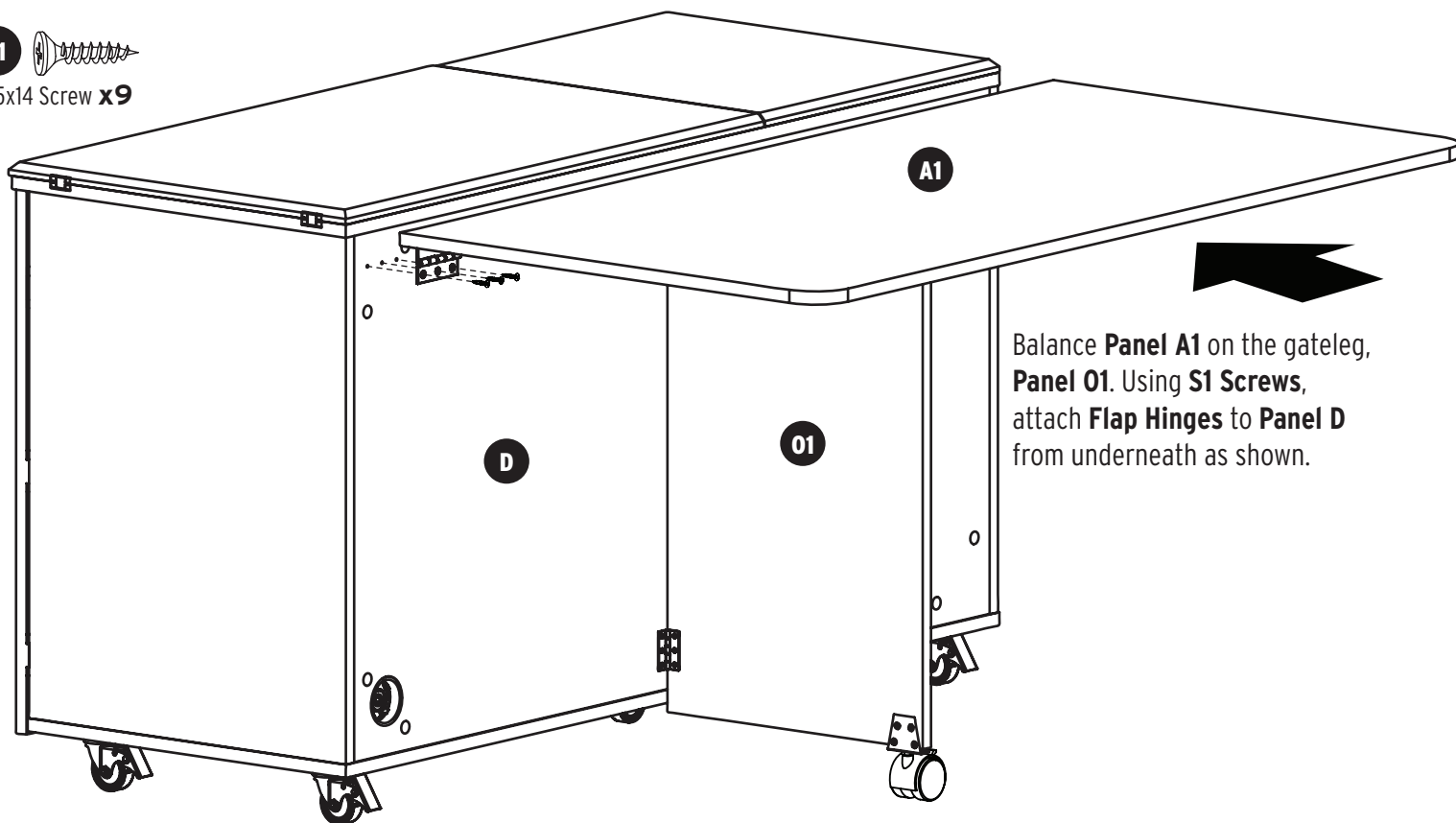


Attach **Butt Hinges** on **Panel 01** to **Panel D** using **S1 Screws** as illustrated

Main Cabinet Step 5: Top and Quilt Panel

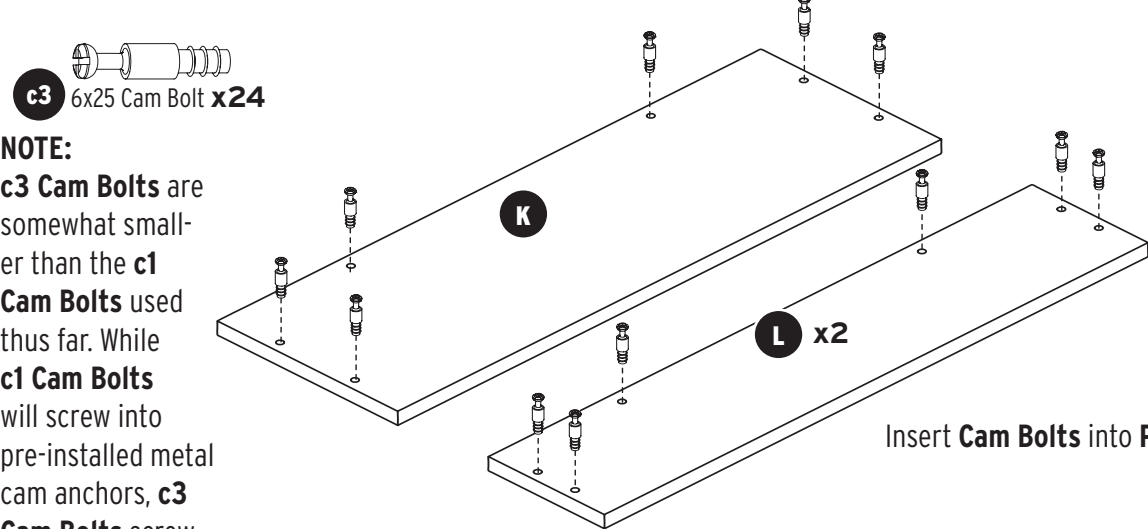
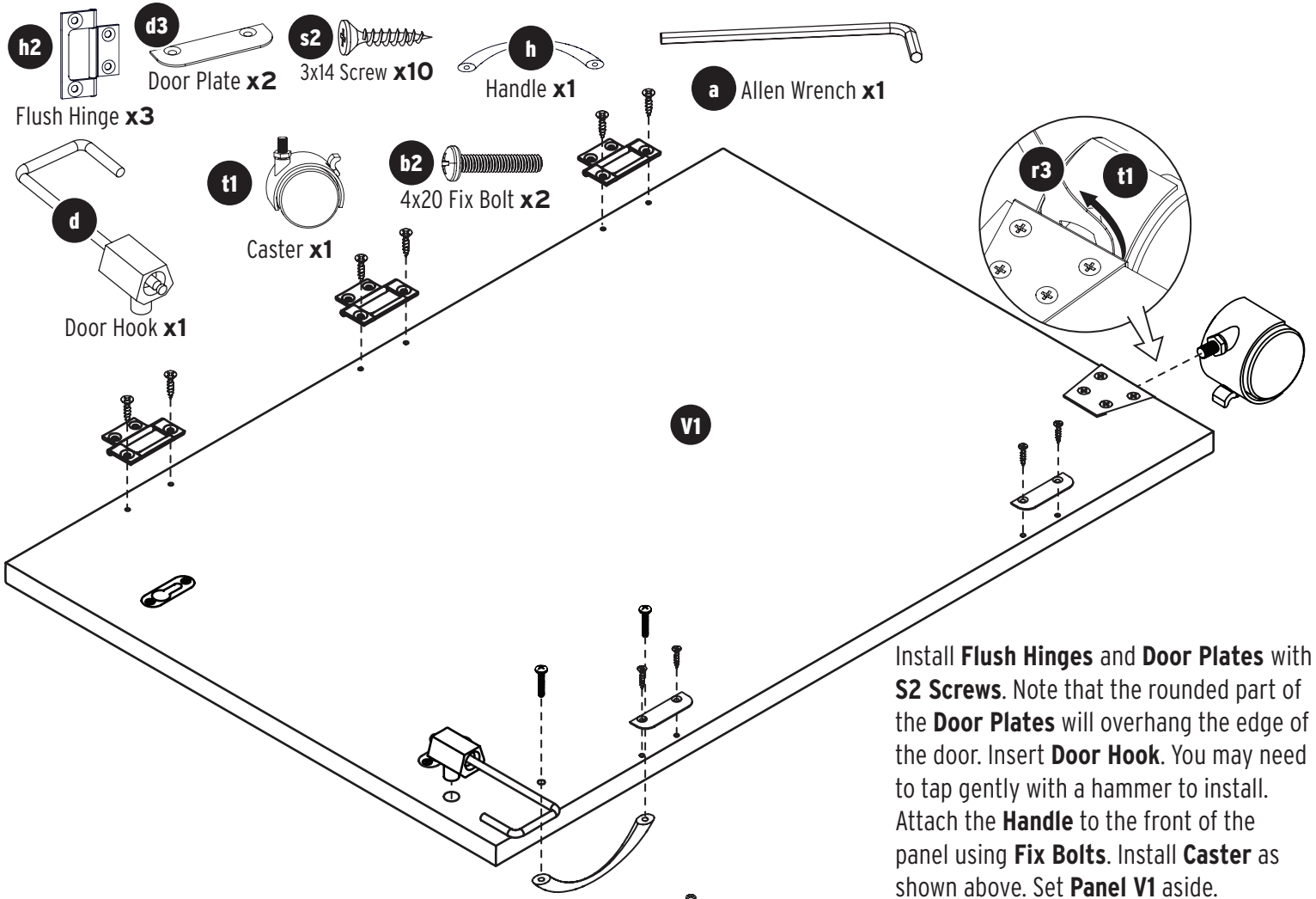


Attach **Magnet** and **Flap Hinges** to **Panel A1** with **S1 Screws** as shown.



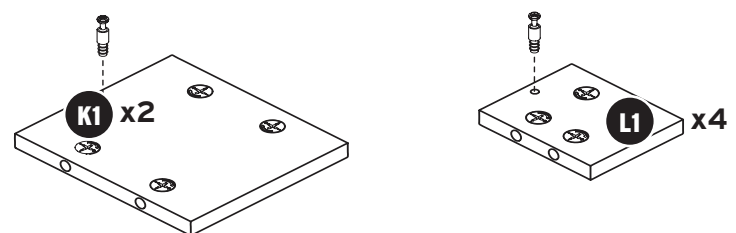
Balance **Panel A1** on the gateleg, **Panel O1**. Using **S1 Screws**, attach **Flap Hinges** to **Panel D** from underneath as shown.

Main Cabinet Step 6: Cabinet Doors

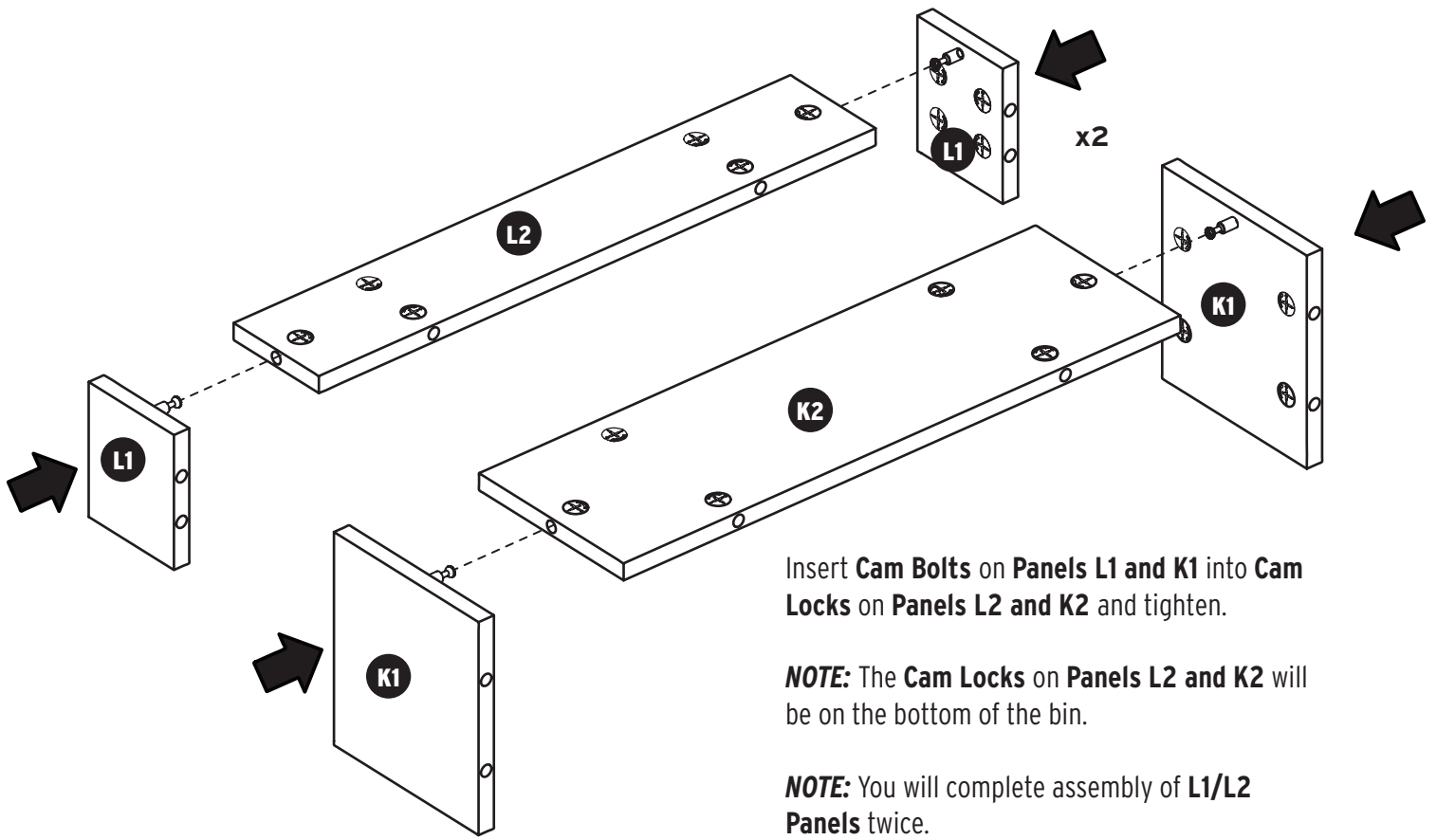


NOTE:
c3 Cam Bolts are somewhat smaller than the **c1 Cam Bolts** used thus far. While **c1 Cam Bolts** will screw into pre-installed metal cam anchors, **c3 Cam Bolts** screw directly into the Panel.

Insert **Cam Bolts** into **Panels L, L1, K and K1**



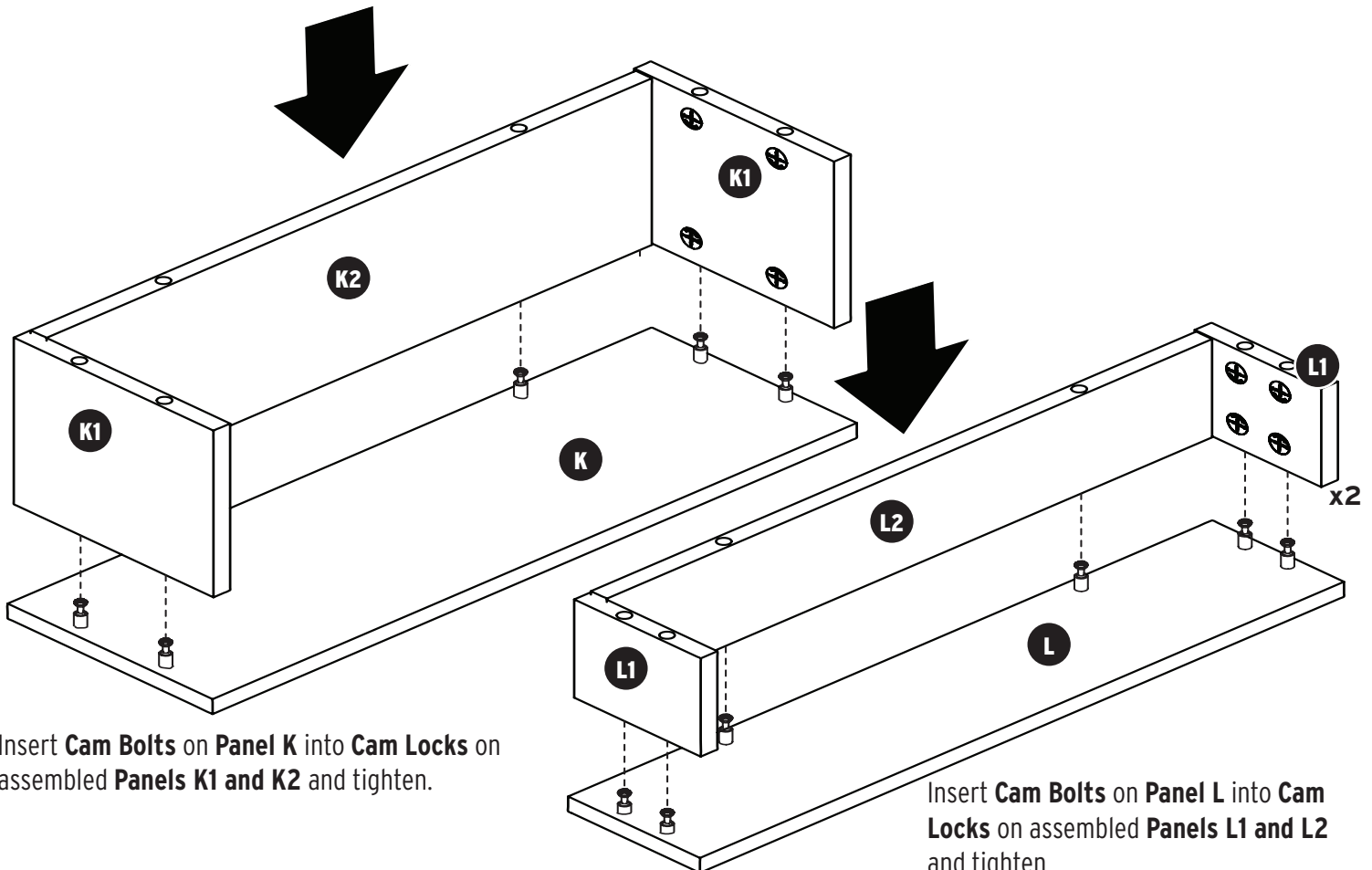
Main Cabinet Step 6: Cabinet Doors



Insert **Cam Bolts** on **Panels L1 and K1** into **Cam Locks** on **Panels L2 and K2** and tighten.

NOTE: The **Cam Locks** on **Panels L2 and K2** will be on the bottom of the bin.

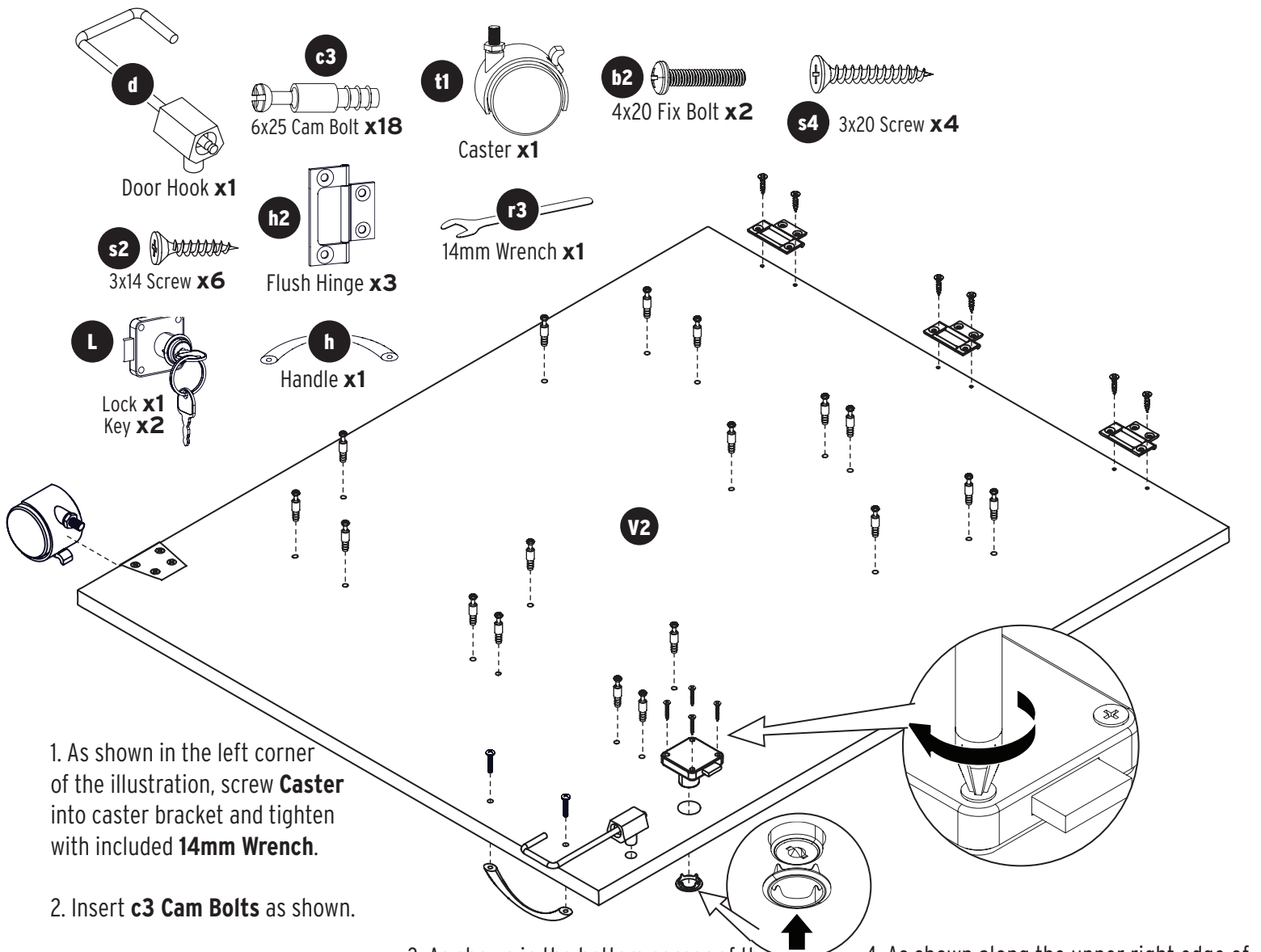
NOTE: You will complete assembly of **L1/L2 Panels** twice.



Insert **Cam Bolts** on **Panel K** into **Cam Locks** on assembled **Panels K1 and K2** and tighten.

Insert **Cam Bolts** on **Panel L** into **Cam Locks** on assembled **Panels L1 and L2** and tighten.

Main Cabinet Step 6: Cabinet Doors



1. As shown in the left corner of the illustration, screw **Caster** into caster bracket and tighten with included **14mm Wrench**.

2. Insert **c3 Cam Bolts** as shown.

3. As shown in the bottom corner of the illustration:

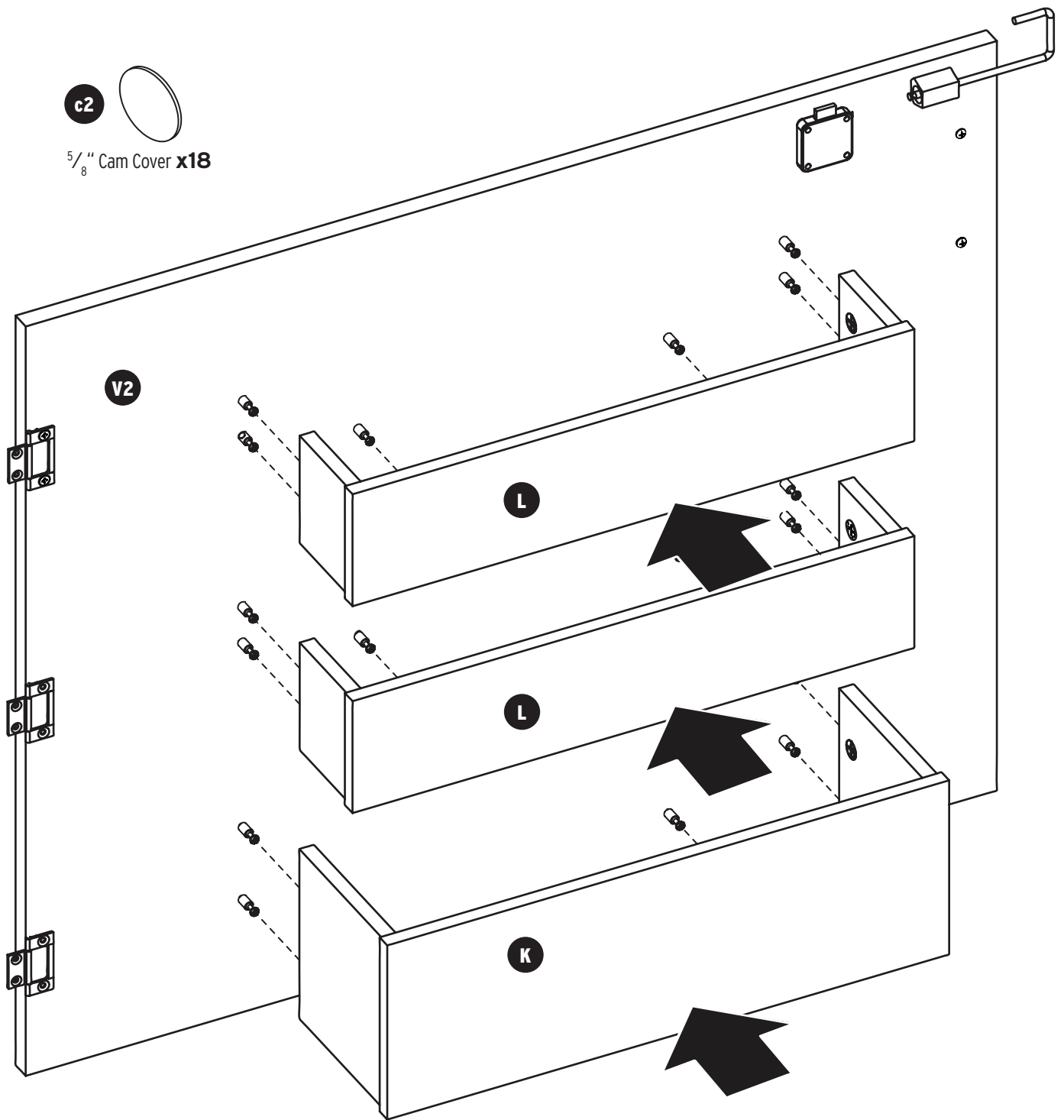
4. As shown along the upper right edge of the illustration: Attach **Flush Hinges** with **S2 Screws**.

- Insert **Door Hook**. You may need to tap gently with a hammer to install.

- Attach **Handle** to outside of **Panel V2** and secure with **Fix Bolts**.

- Attach **Lock** with **S4 Screws** Add trim ring to lock on the outside of **Panel V2**. You will need to press firmly to attach the trim ring to the outside of the lock.

Main Cabinet Step 6: Cabinet Doors

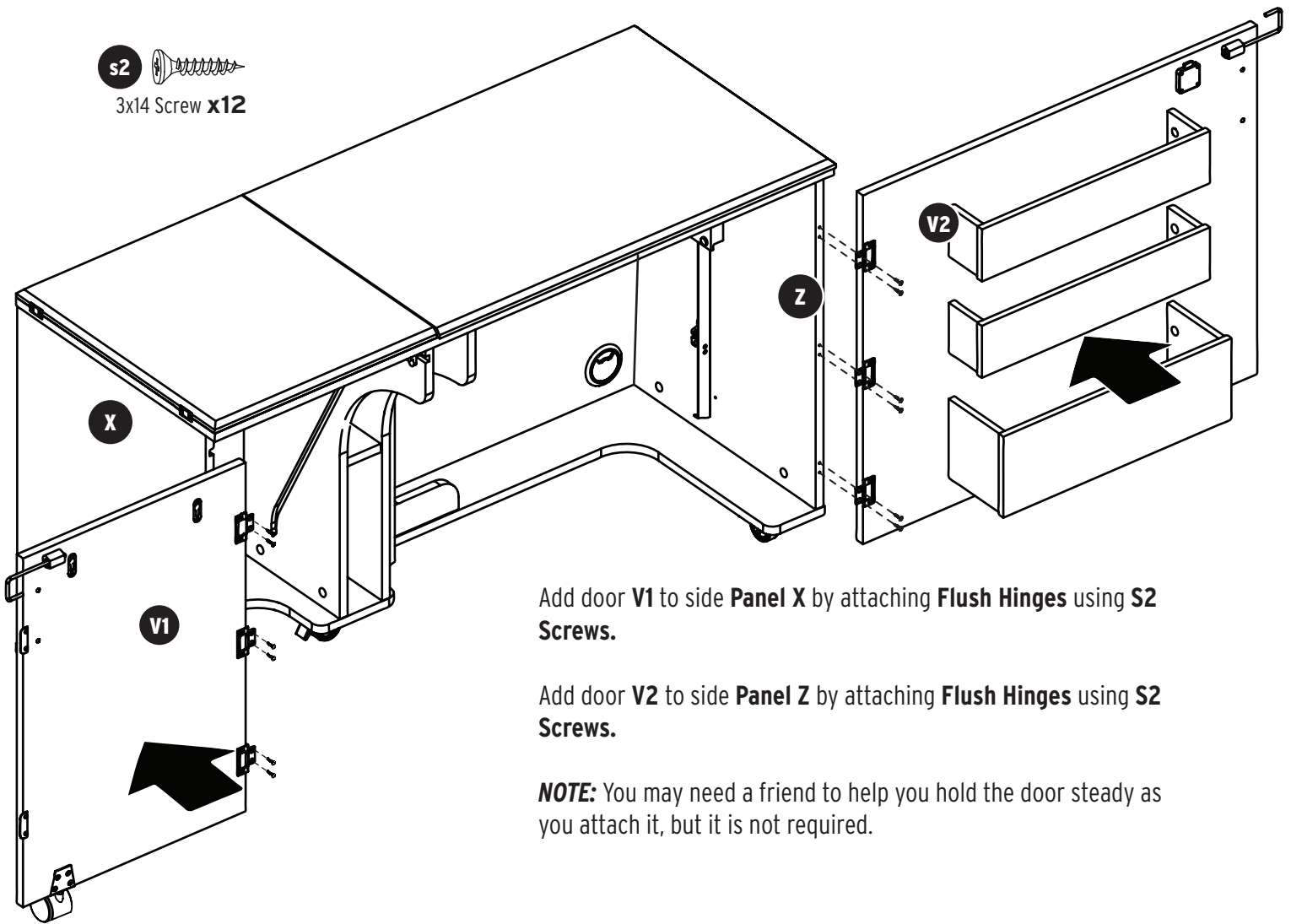


Insert **Cam Bolts** on **Panel V2** into **Cams** on assembled Bins. Tighten and cover with **Cam Covers**.

TIP: Start with the top bin and work your way down. This will make it easier to reach the **Cam Locks** on the bottoms of the bins.

Main Cabinet Step 6: Cabinet Doors

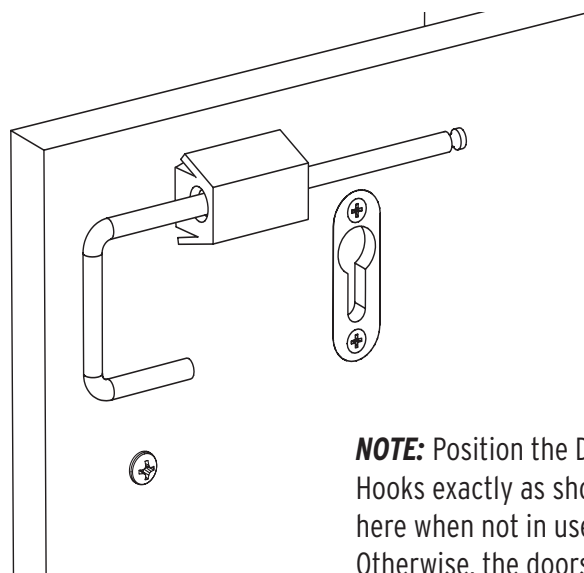
S2 
3x14 Screw **x12**



Add door **V1** to side **Panel X** by attaching **Flush Hinges** using **S2 Screws**.

Add door **V2** to side **Panel Z** by attaching **Flush Hinges** using **S2 Screws**.

NOTE: You may need a friend to help you hold the door steady as you attach it, but it is not required.

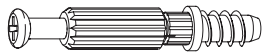
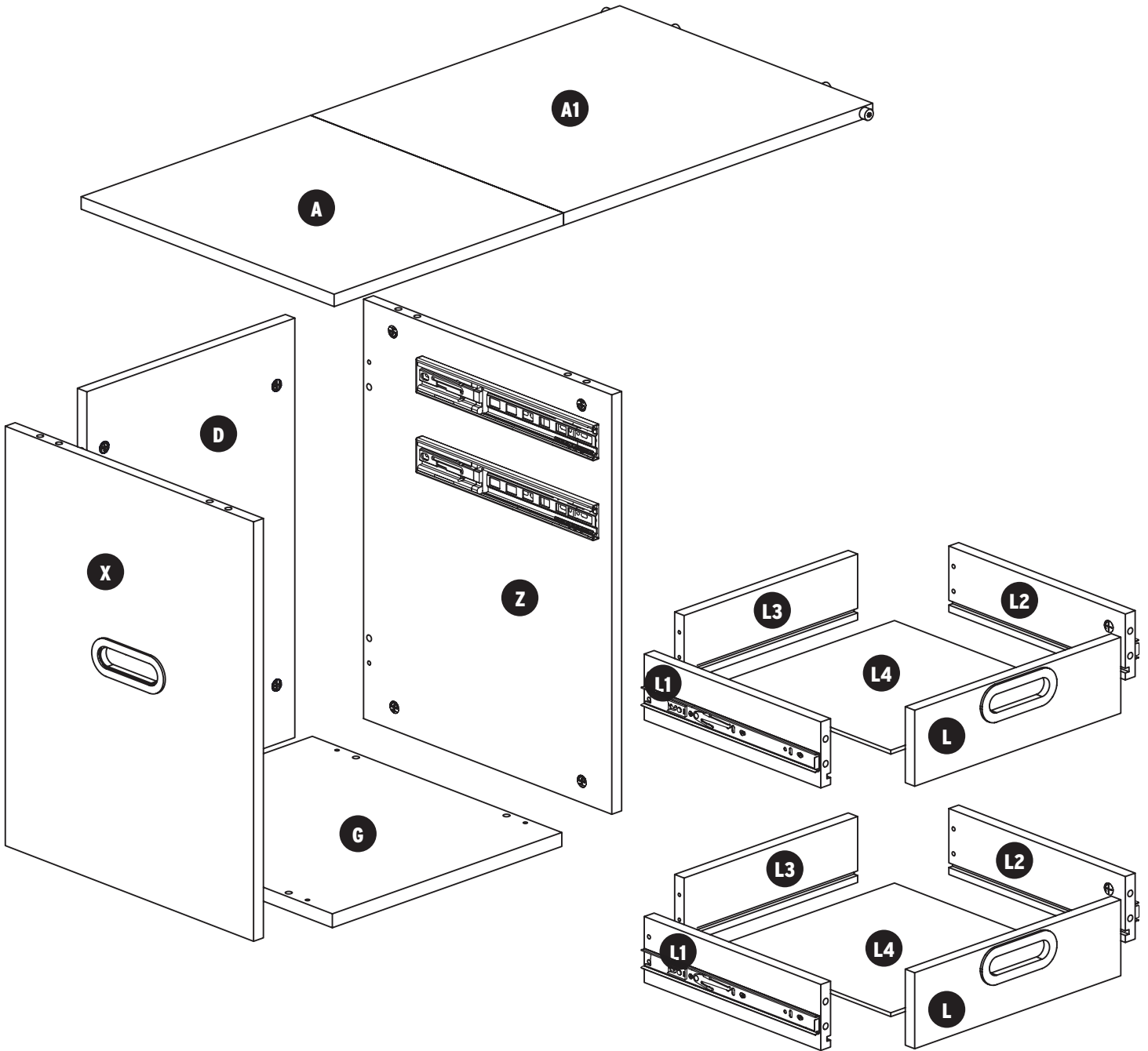


NOTE: Position the Door Hooks exactly as shown here when not in use. Otherwise, the doors will not close correctly.

Part 2: Caddy



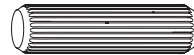
Caddy Panel and Hardware List



c1 6x35 Cam Bolt **x20**



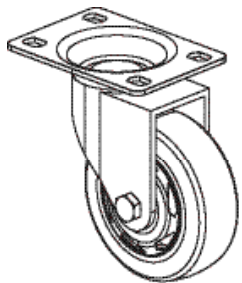
c2 5/8" Cam Cover **x20**



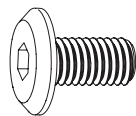
d1 8x30 Dowel Pin **x12**



s3 3.5x35 Screw **x8**



t1 Plate Caster **x4**

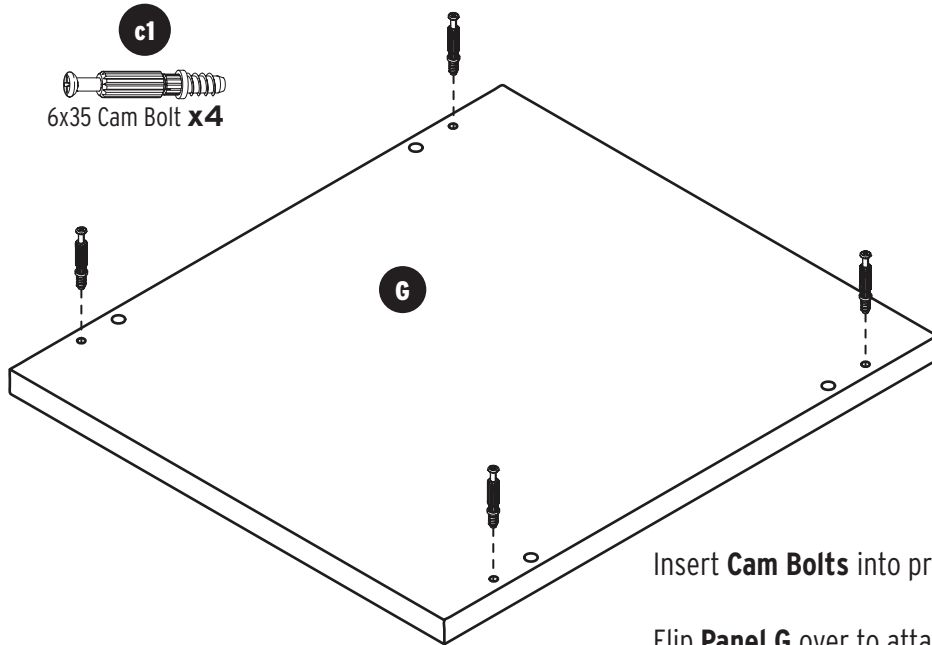


b1 8x16 Fix Bolt **x16**



a Allen Wrench **x1**

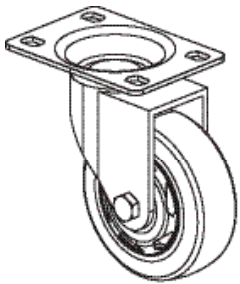
Caddy Step 1: Base



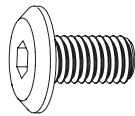
c1
6x35 Cam Bolt **x4**

Insert **Cam Bolts** into pre-installed Cam Bolt Anchors.

Flip **Panel G** over to attach **Casters**.



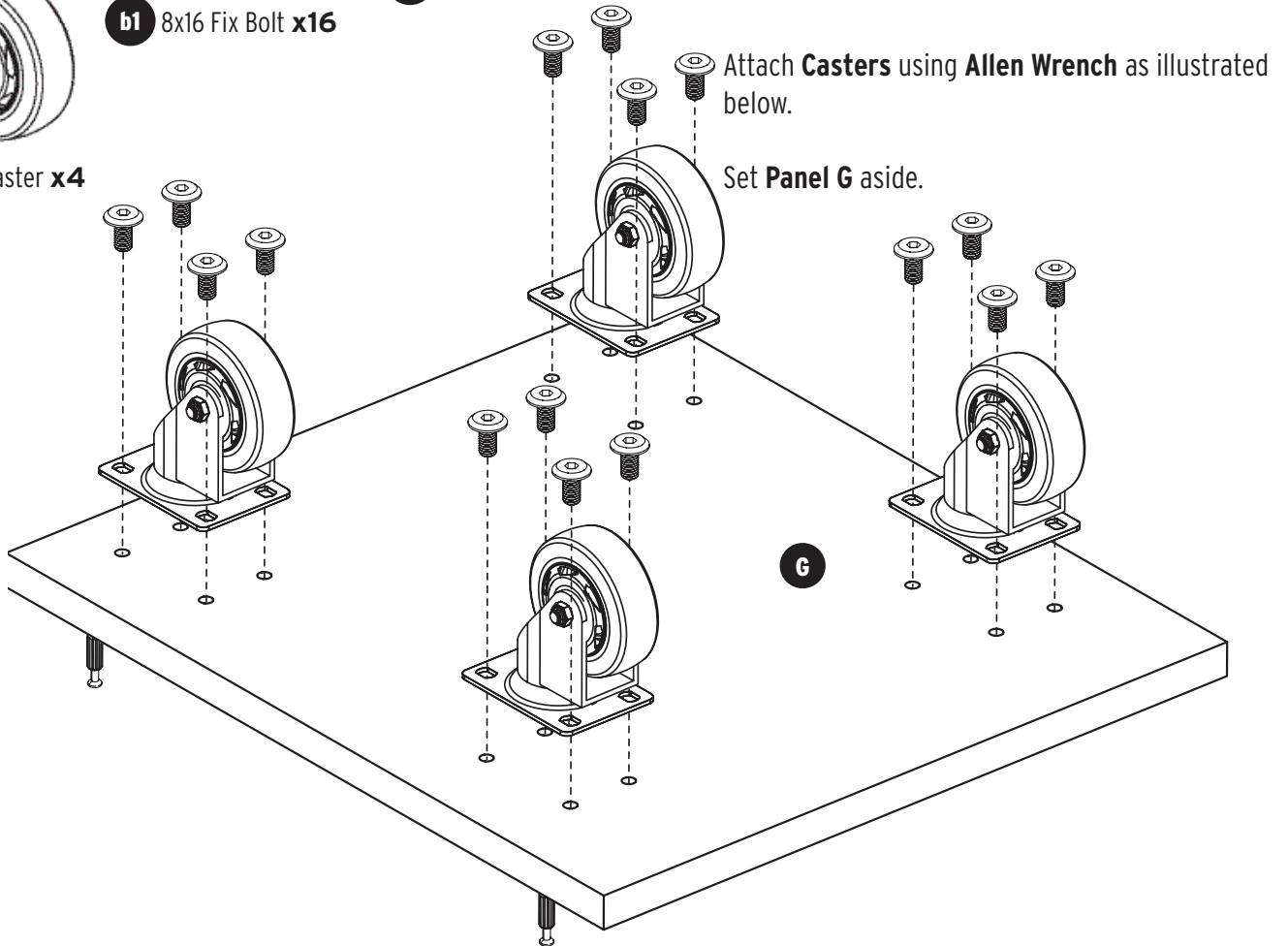
t1 Plate Caster **x4**



b1 8x16 Fix Bolt **x16**



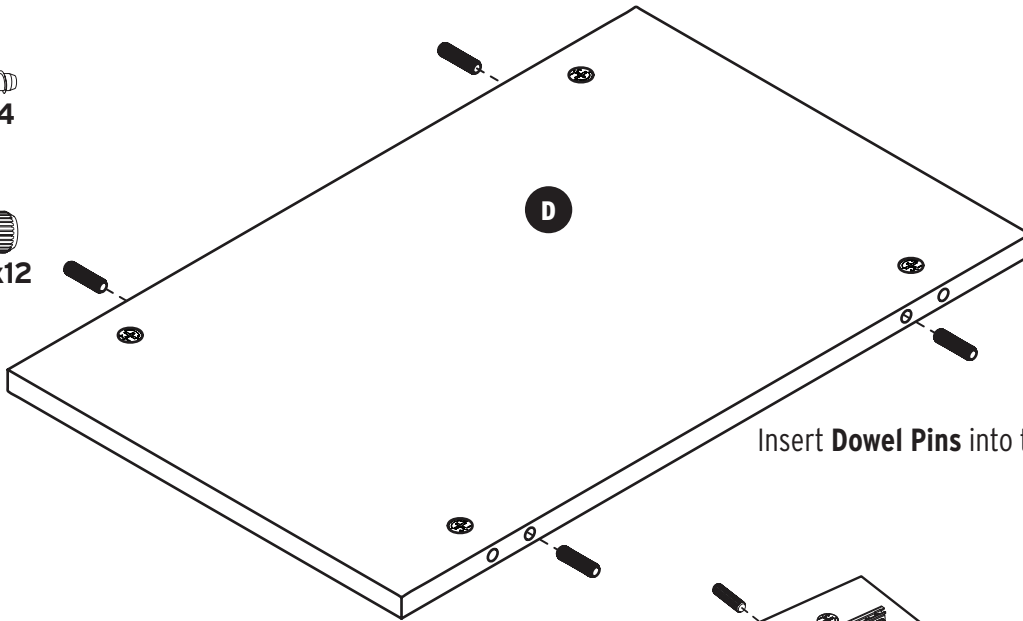
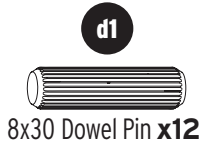
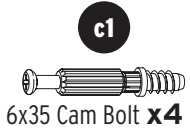
a Allen Wrench **x1**



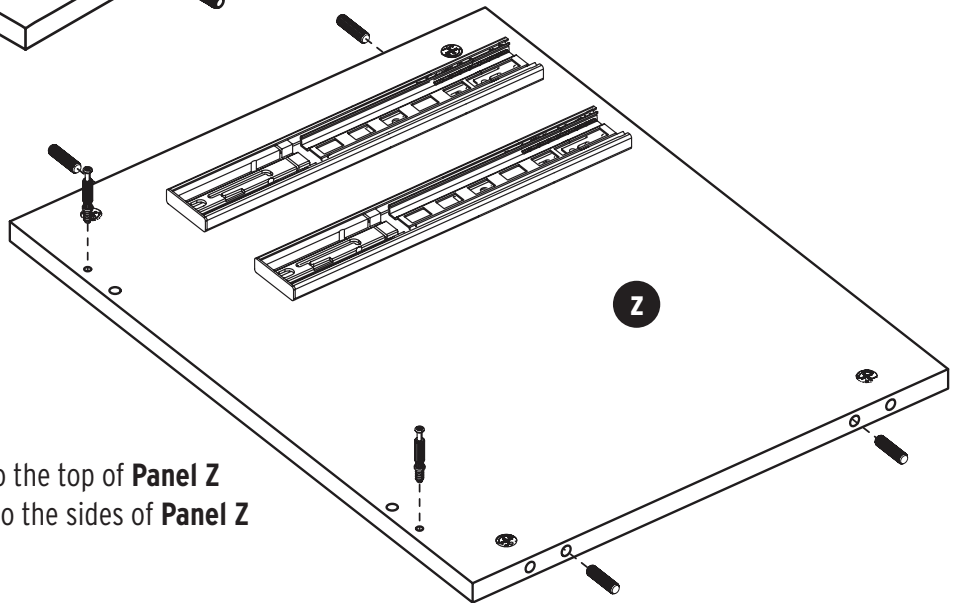
Attach **Casters** using **Allen Wrench** as illustrated below.

Set **Panel G** aside.

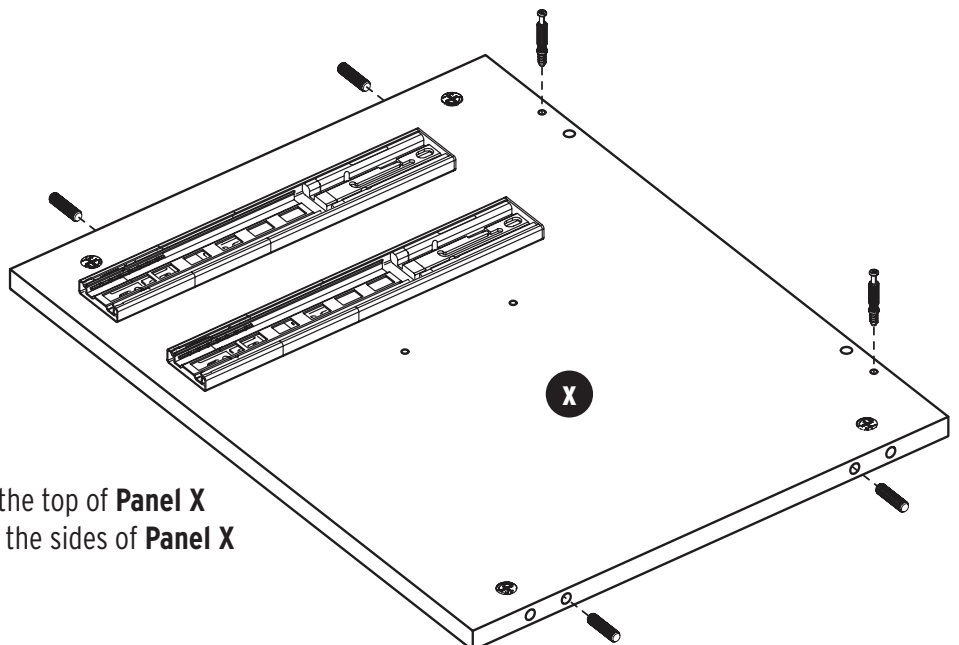
Caddy Step 1: Base



Insert **Dowel Pins** into the sides of **Panel D**.



Insert **Cam Bolts** into the top of **Panel Z**
Insert **Dowel Pins** into the sides of **Panel Z**

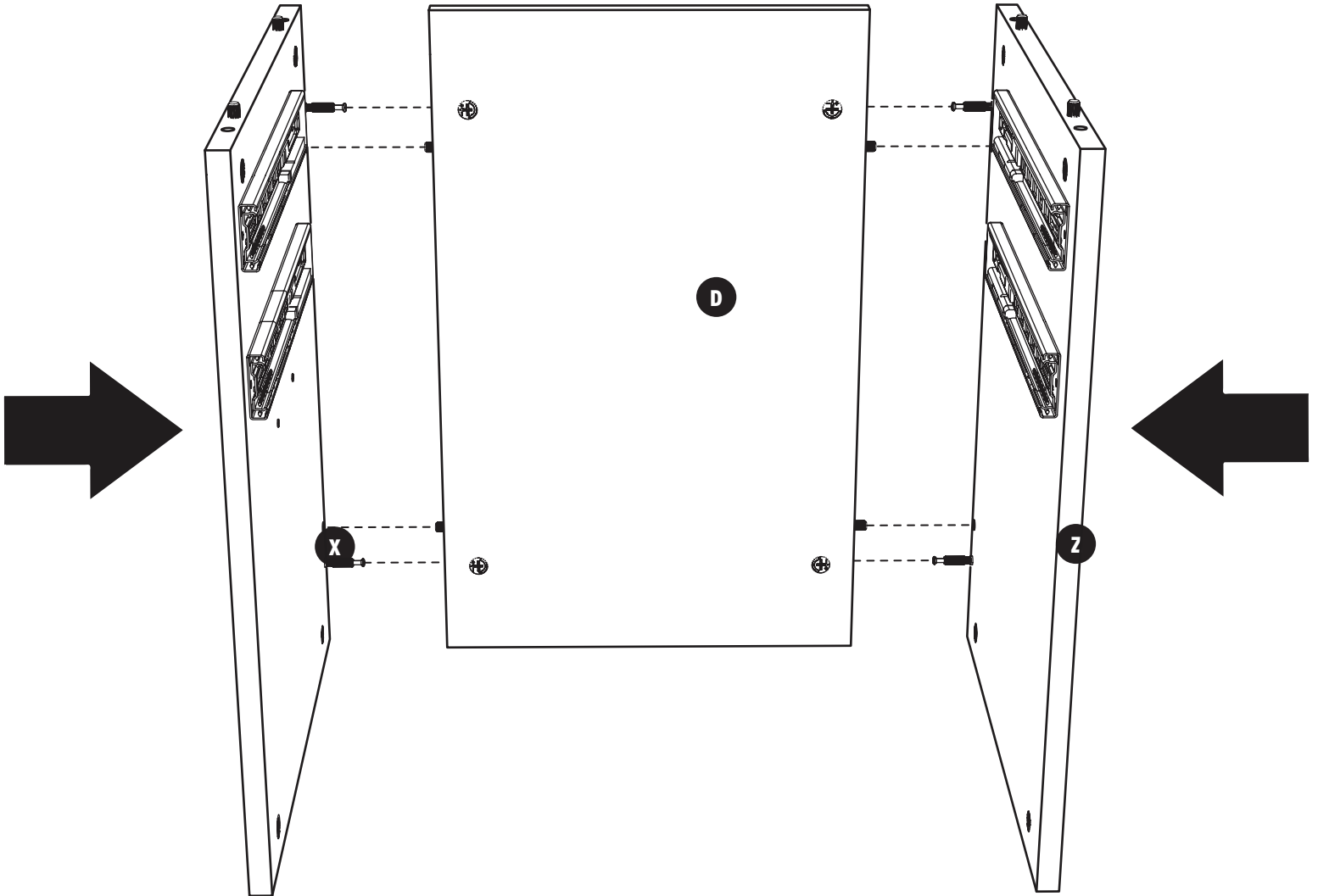


Insert **Cam Bolts** into the top of **Panel X**
Insert **Dowel Pins** into the sides of **Panel X**

Caddy Step 1: Base

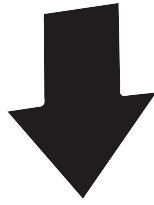


c2 $\frac{5}{8}$ " Cam Cover **x4**

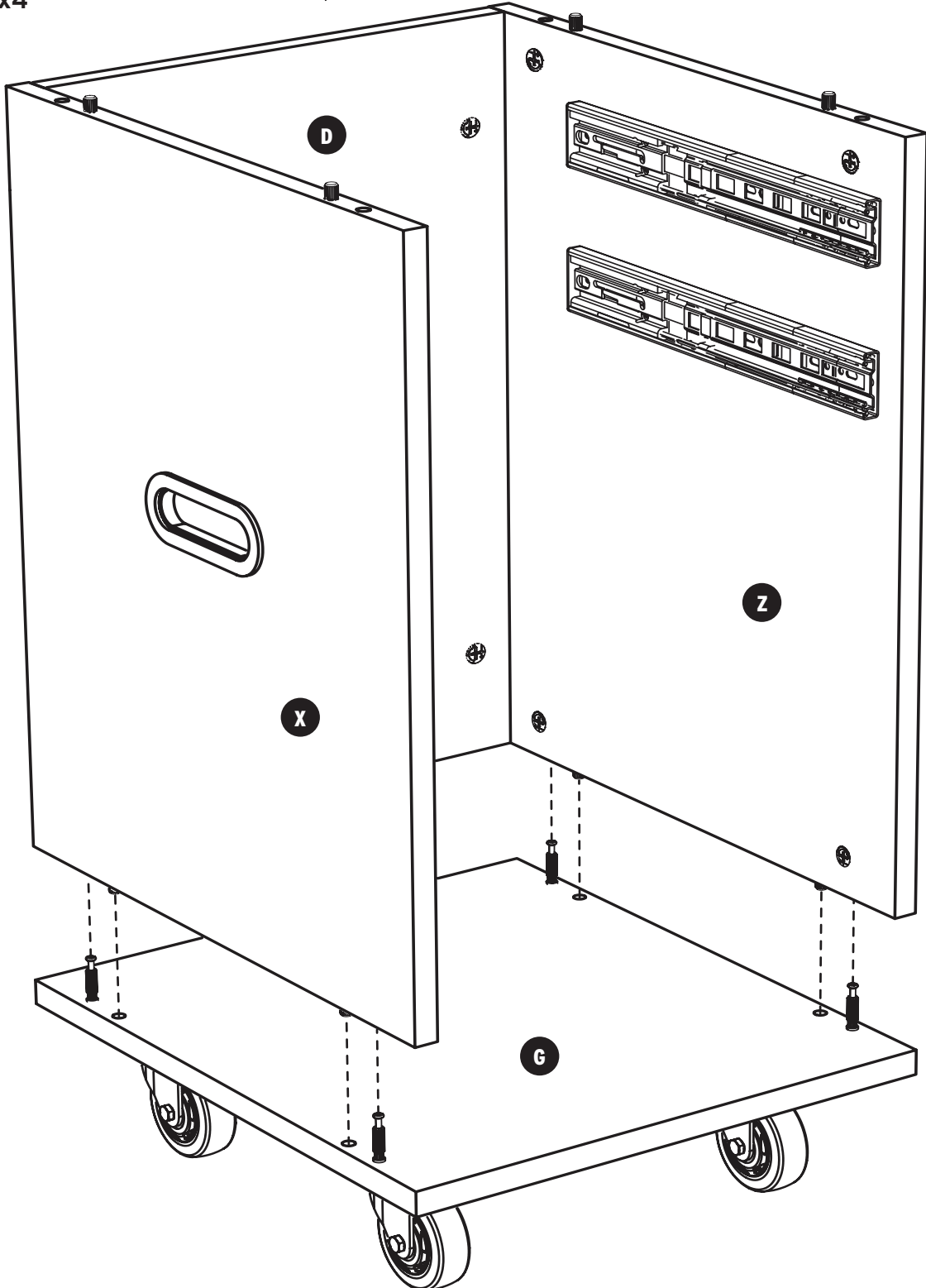


Insert Cam Bolts on **Panels X and Z** into **Panel D**. Tighten **Cam Locks** and cover with **Cam Covers**

Caddy Step 1: Base



c2 $\frac{5}{8}$ " Cam Cover **x4**



Attach **Panel G** as shown, making sure that the arrow on **Panel G** faces the back of the caddy. Tighten **Cam Locks** and cover with **Cam Covers**.

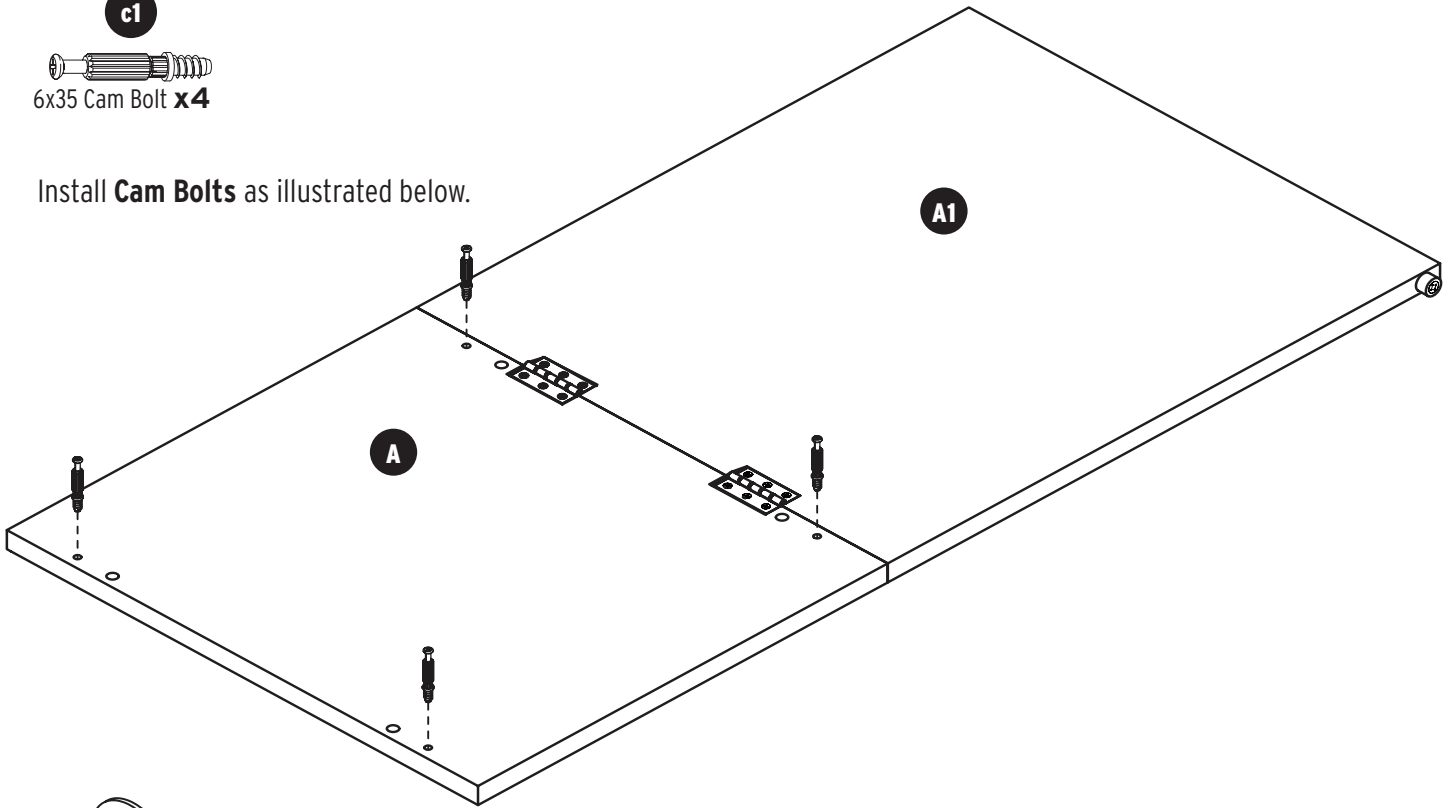
Caddy Step 2: Top

c1



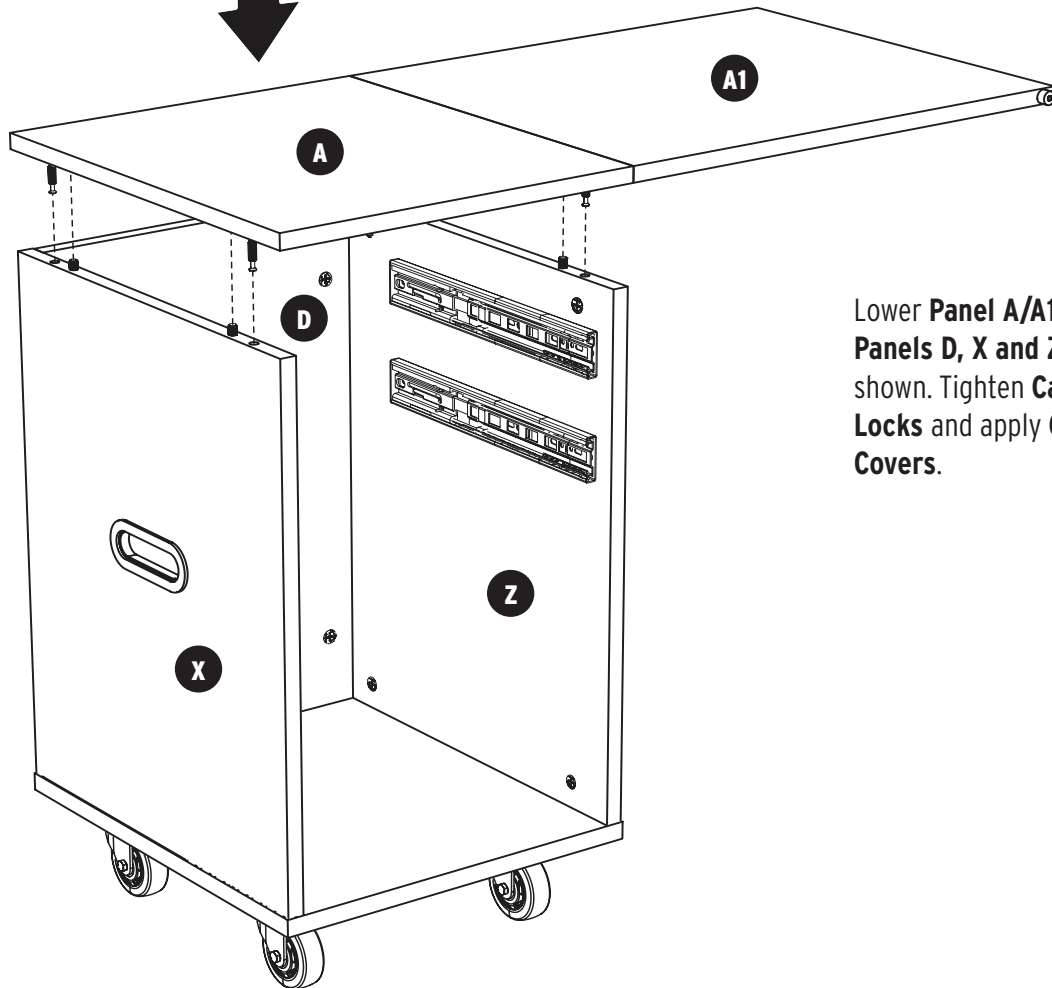
6x35 Cam Bolt **x4**

Install **Cam Bolts** as illustrated below.



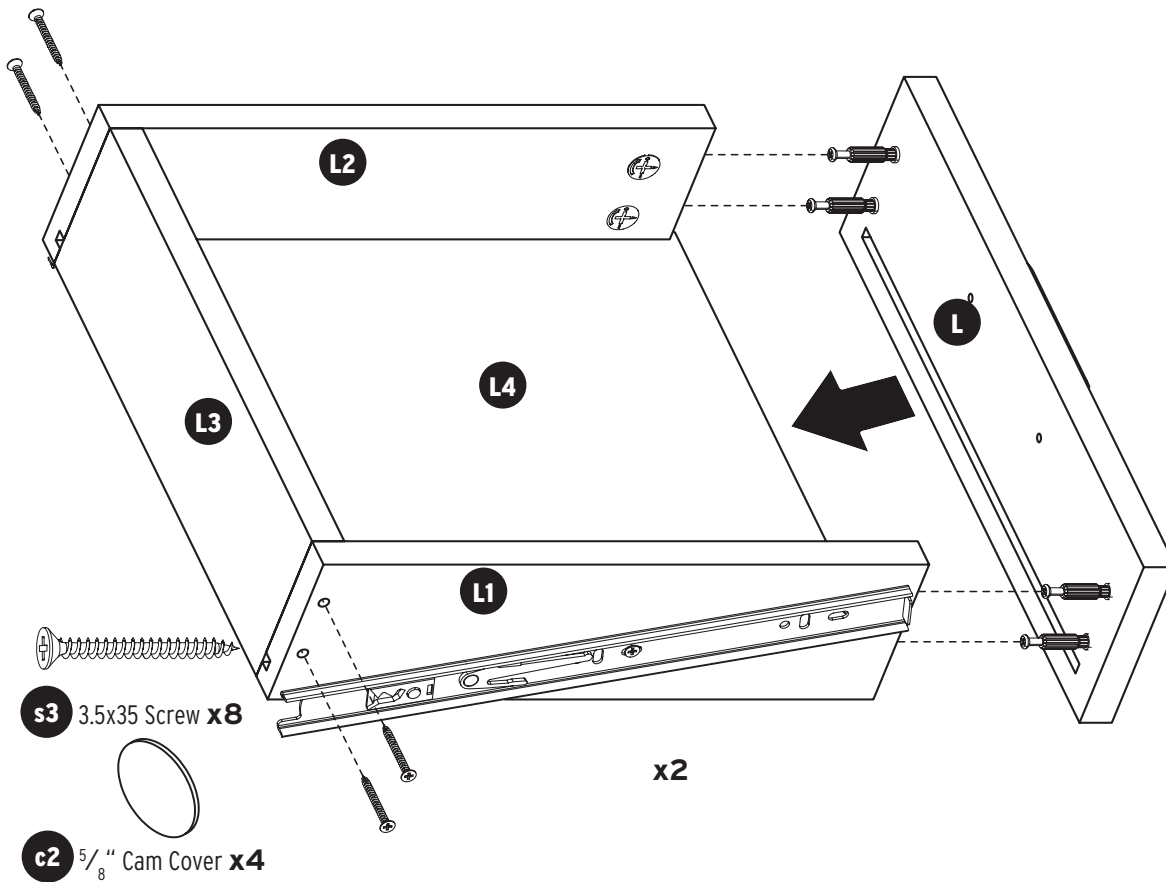
c2

$\frac{5}{8}$ " Cam Cover **x4**



Lower **Panel A/A1** onto **Panels D, X and Z** as shown. Tighten **Cam Locks** and apply **Cam Covers**.

Caddy Step 3: Drawers



Remove the screws on both ends of side drawer rails on **Panels L1 and L2** to access pilot holes for drawer back.

Connect drawer **panels L1, L2 and L3** with **s3 screws**.

Slide bottom **Panel L4** into grooves on **L, L1, L2** as illustrated.

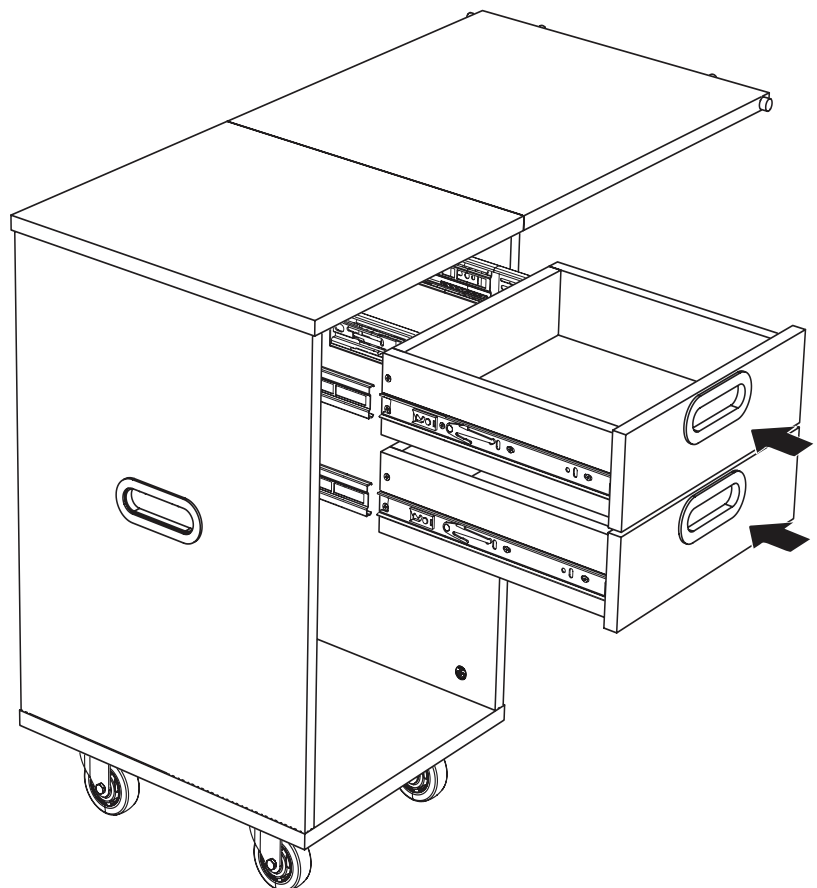
Insert **Cam Bolts** on **Panel L** into drawer side **Panels L1 and L2**; tighten cam locks and cover with **Cam Covers**.

Reattach drawer rails by reinstalling their screws.

Fully extend the cabinet drawer rails, align drawer rails, and slide drawers into caddy.

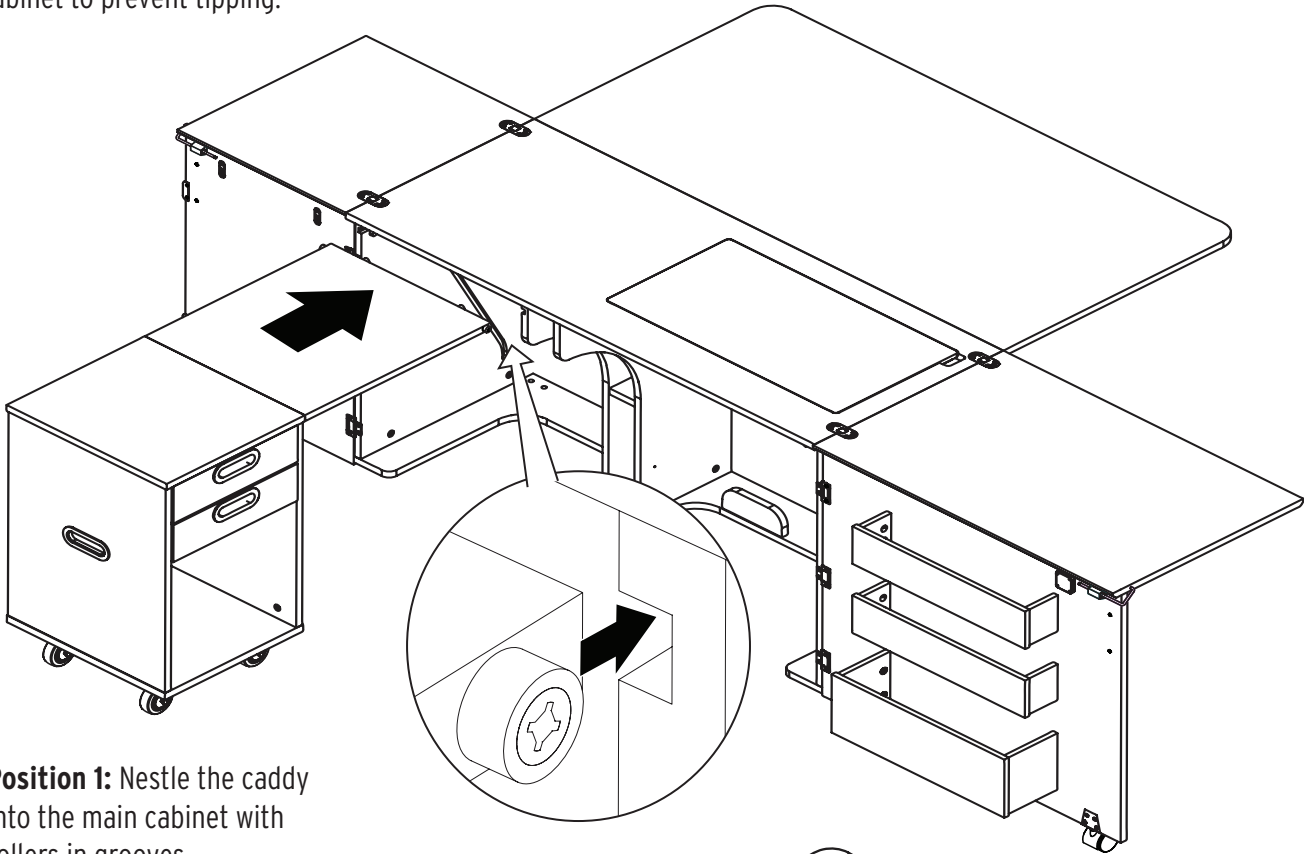
TIP: Gently open and close the drawers a few times to engage the Soft Close mechanism.

WARNING: CADDY IS PRONE TO TIPPING WHEN NOT ATTACHED TO THE MAIN CABINET. Always have your Caddy anchored to your cabinet to prevent tipping.

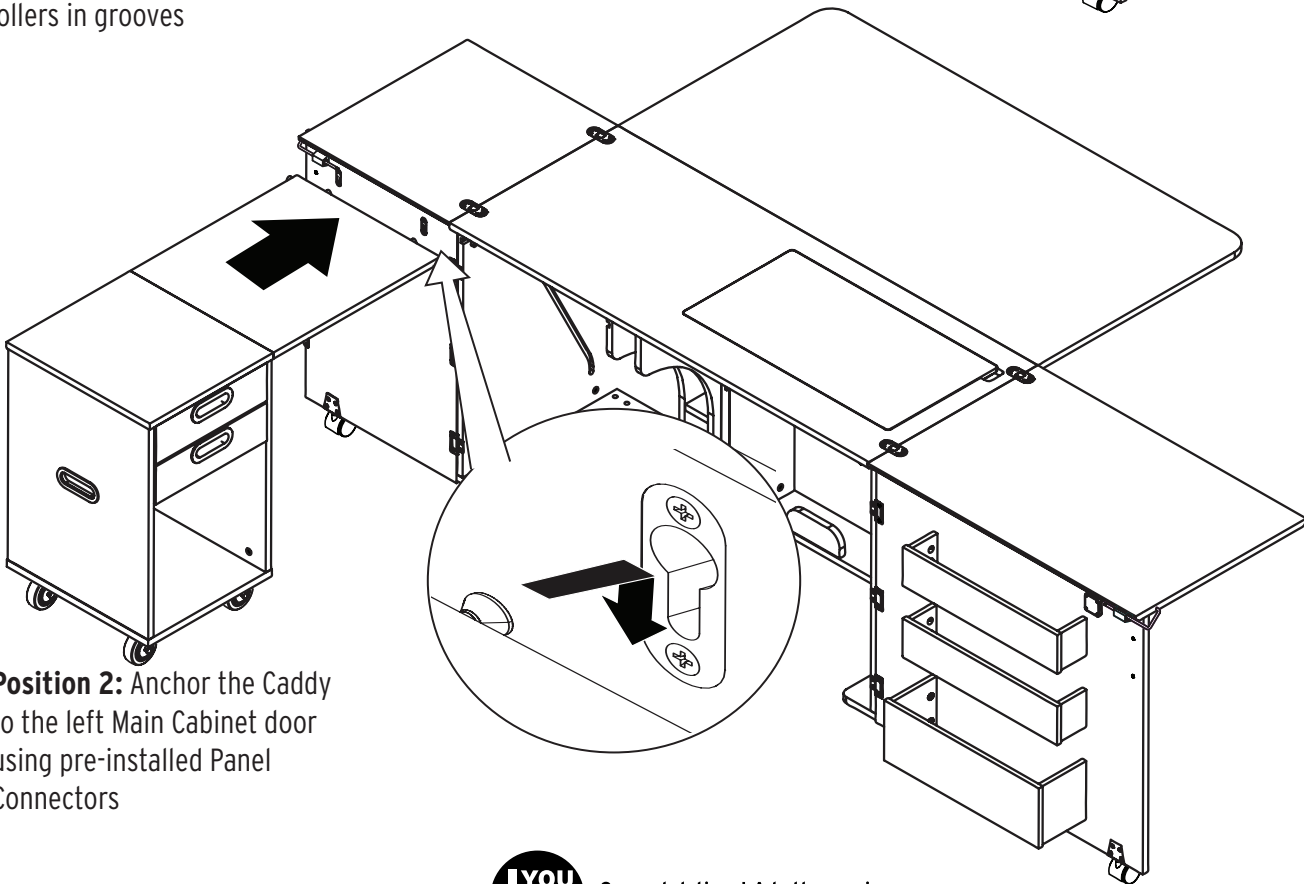


Caddy Positioning

Your caddy can be positioned in either of the configurations shown below. Be sure to always have the caddy attached to the cabinet to prevent tipping.



Position 1: Nestle the caddy into the main cabinet with rollers in grooves



Position 2: Anchor the Caddy to the left Main Cabinet door using pre-installed Panel Connectors



Congratulations! A better sewing experience awaits!



KANGAROO™
sewing furniture

LIMITED LIFETIME WARRANTY

Kangaroo™ Sewing Furniture Limited Lifetime Warranty

WHAT THIS WARRANTY COVERS: Arrow Companies, LLC "Arrow" provides a Limited Lifetime Warranty "Warranty" to the original purchaser of this product against defects in materials or workmanship of furniture components. As used in this Warranty, "defect" means imperfections in components which substantially impair the utility of the product. This Warranty gives you specific legal rights, and you may also have other rights which vary from state to state. Electrical and mechanical components of furniture are warranted for 5 years.

HOW TO GET SERVICE: Simply contact Arrow at 1-800-533-7347 or CS@ArrowSewing.com. When you request Warranty service, you must also present proof of purchase documentation, which includes the date of purchase (detailed receipt), and photos of the product. Arrow will replace any defective part (at its sole option), excluding labor. Replacement parts will be warranted for only the remaining period of the original Warranty.

Replacement parts will be shipped freight prepaid on any initial Warranty claim during first year of Warranty only. Warranty applies only to defects confirmed by Arrow and will be replaced or repaired at Arrow's option. In the event parts are no longer available for a Warranty claim, customer may receive a brand new cabinet at a price equal to 60% off the MSRP of a current comparable model.

WHAT'S NOT COVERED: There is no Warranty coverage for defects or conditions that result from the following: Failure to follow product assembly instructions, information or warnings; misuse or abuse; intentional damage; fire, flood, alteration or modification of the product; use of the product in a manner inconsistent with its intended use; any condition resulting from incorrect or inadequate maintenance, cleaning, care or neglect; cuts or scratches; caster damage as a result of moving furniture fully loaded or with locked casters; damage resulting from electrical surge or lightning; or use in commercial or education environments. Arrow Sewing Furniture is designed for residential use only.

ARROW SHALL HAVE NO LIABILITY for ANY INCIDENTAL OR CONSEQUENTIAL DAMAGES OF ANY KIND and all such damages are EXCLUDED FROM THIS Warranty, such as loss of use, disassembly, transportation, labor, or damage to property on or near the product. Some states do not allow the exclusion or limitation of incidental or consequential damages, so the above limitation or exclusion may not apply to you. The Warranty cannot be transferred to subsequent owners or users of the product, and it shall be immediately void in the event the product is resold, transferred, leased or rented to any third party or person other than the original purchaser.

ADDITIONAL LIMITATIONS: THERE ARE NO OTHER WARRANTIES APPLICABLE TO THIS PRODUCT. Under the laws of certain states, there may be no implied warranties from Arrow and all implied warranties, INCLUDING ANY IMPLIED Warranty OF MERCHANTABILITY OR FITNESS FOR A PARTICULAR PURPOSE are disclaimed where allowed by law. TO THE EXTENT ANY IMPLIED WARRANTIES ARE APPLICABLE, ANY IMPLIED WARRANTIES, INCLUDING ANY IMPLIED Warranty OF MERCHANTABILITY OR FITNESS FOR A PARTICULAR PURPOSE, ARE LIMITED IN DURATION TO THE DURATION OF THIS EXPRESS Warranty or the minimum period allowed by law, whichever is shorter. Some states do not allow limitations on how long an implied Warranty lasts, so the above limitation may not apply to you. This limited Warranty gives you specific legal rights. This limited Warranty does not, in any way, affect the rights given to you by law.

REGISTER YOUR PRODUCT: Original purchaser should register the purchase online at www.ArrowSewing.com/Warranty.

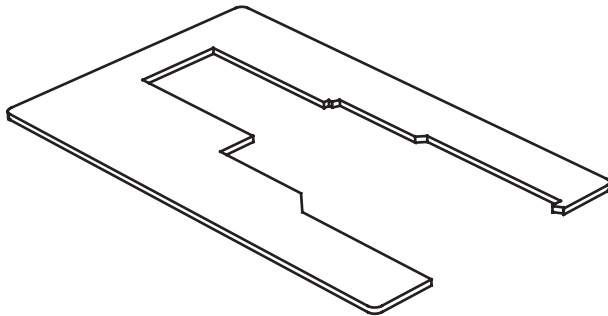
SEW IN COMFORT. SEW LONGER.™



Accessories to Complete Your Sewing Studio

Custom Insert

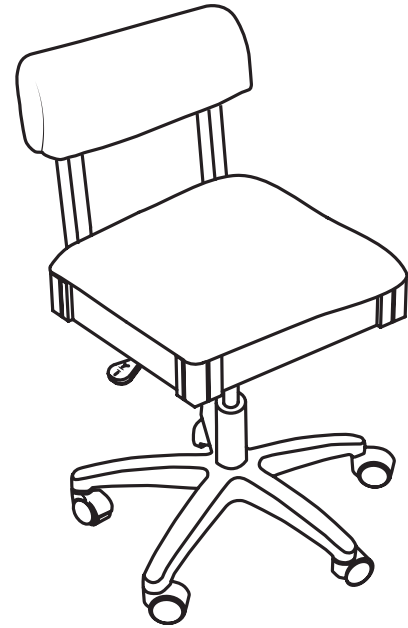
Enhance your sewing experience with a custom acrylic sewing insert! Custom acrylic sewing inserts are designed to fill the gap between your sewing machine and sewing cabinet's lift opening to create a flush, ergonomic surface for flat bed sewing. To ensure a perfect fit, custom acrylic sewing inserts are built specifically for your sewing machine and sewing cabinet combination. Say hello to happy wrists, straighter stitches, and an elevated sewing experience!



Insert

Arrow Sewing Chairs

Arrow's #1 Rated Height Adjustable Sewing Chair is a must have accessory for your dream sewing room! Cute, comfortable and convenient - our lovable sewing chairs feature vibrant sewing themed patterns, 360 swivel access and lumbar support for long hours at your workstation. Don't look now, but under every seat cushion is a hidden storage compartment to store your notions and patterns! Available in 10 colors to perfectly match your sewing sanctuary!



Height Adjustable Sewing Chair

P.O. Box 410 Elkhorn, WI 53121
1-800-533-7347 Ext. 1
CS@ArrowSewing.com
www.ArrowSewing.com

02-22