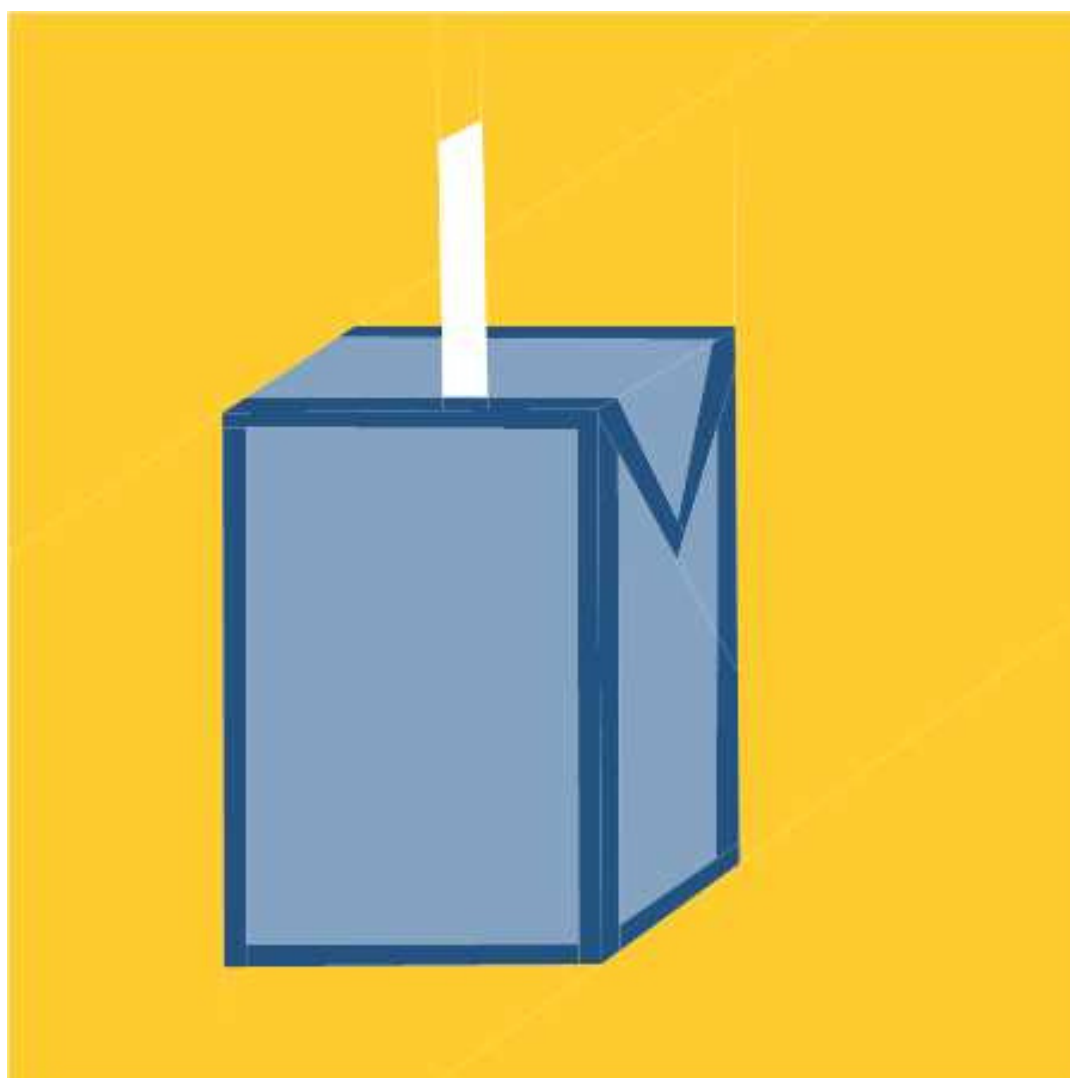


# JUICE BOX FPP BLOCK

12" FINISHED

DESIGNED BY AMANDA HARRIS



SANDIEGOSEWN.COM

[www.sandiego sewn.com](http://www.sandiego sewn.com)

## Meet the Designer

I'm Amanda, an artist, fabric shop owner, and pattern designer, living in San Diego, California. As I craft these FPP patterns, I try to infuse every stitch with a sense of tranquility and creativity. With a passion for fabric and a penchant for precision, I bring the essence of San Diego's relaxed lifestyle to life in each intricately designed block. Explore my website, [www.sandiegosewn.com](http://www.sandiegosewn.com), for a curated selection of fabrics that capture the essence of Southern California's coastal beauty, and embark on your quilting journey infused with the spirit of San Diego serenity. This FPP pattern has the perfect spot for a fussy cut fabric that you have been aching to use showcased, right in the center!



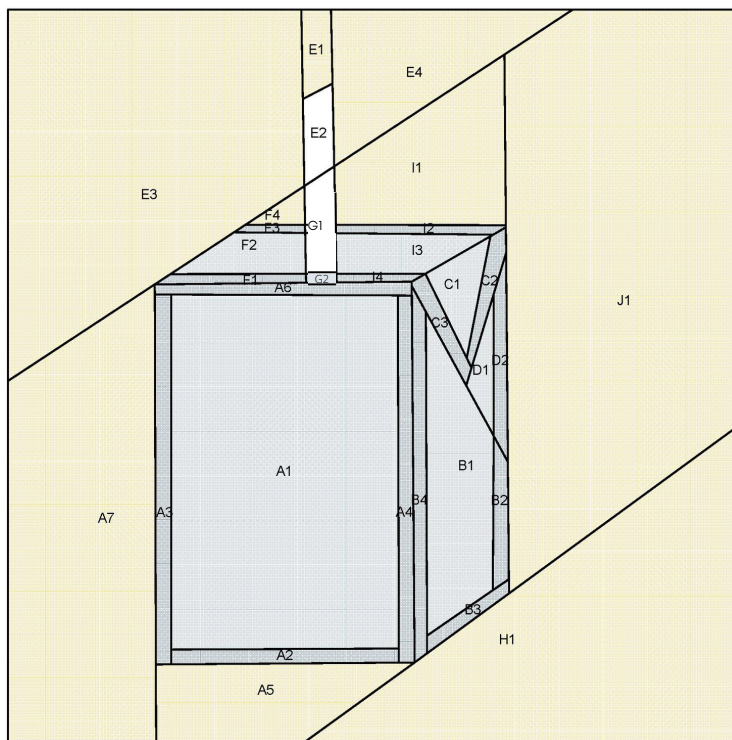
## Before Getting Started

- Knowledge of foundation paper piecing is needed to make this pattern. This is not an FPP tutorial.
- Print on 8.5" x 11" paper at 100%, use the 1" reference square to ensure proper proportions.
- Cut along the dotted lines and sew along all inner lines.
- 1/4" seam allowance is the distance between the most outer and main solid lines of and the dotted line. Be sure your fabric covers these spaces so that multiple blocks can be joined together.
- Always sew fabrics, right sides together.
- Use a 1.5 mm stitch length while sewing. This makes it easier to tear out the paper from the back once you are finished.
- Use this block to create mini quilts, wall hangings, pillows, and more!
- I'd love to see your finished makes. Please tag me in your social media posts @sandiego.sewn

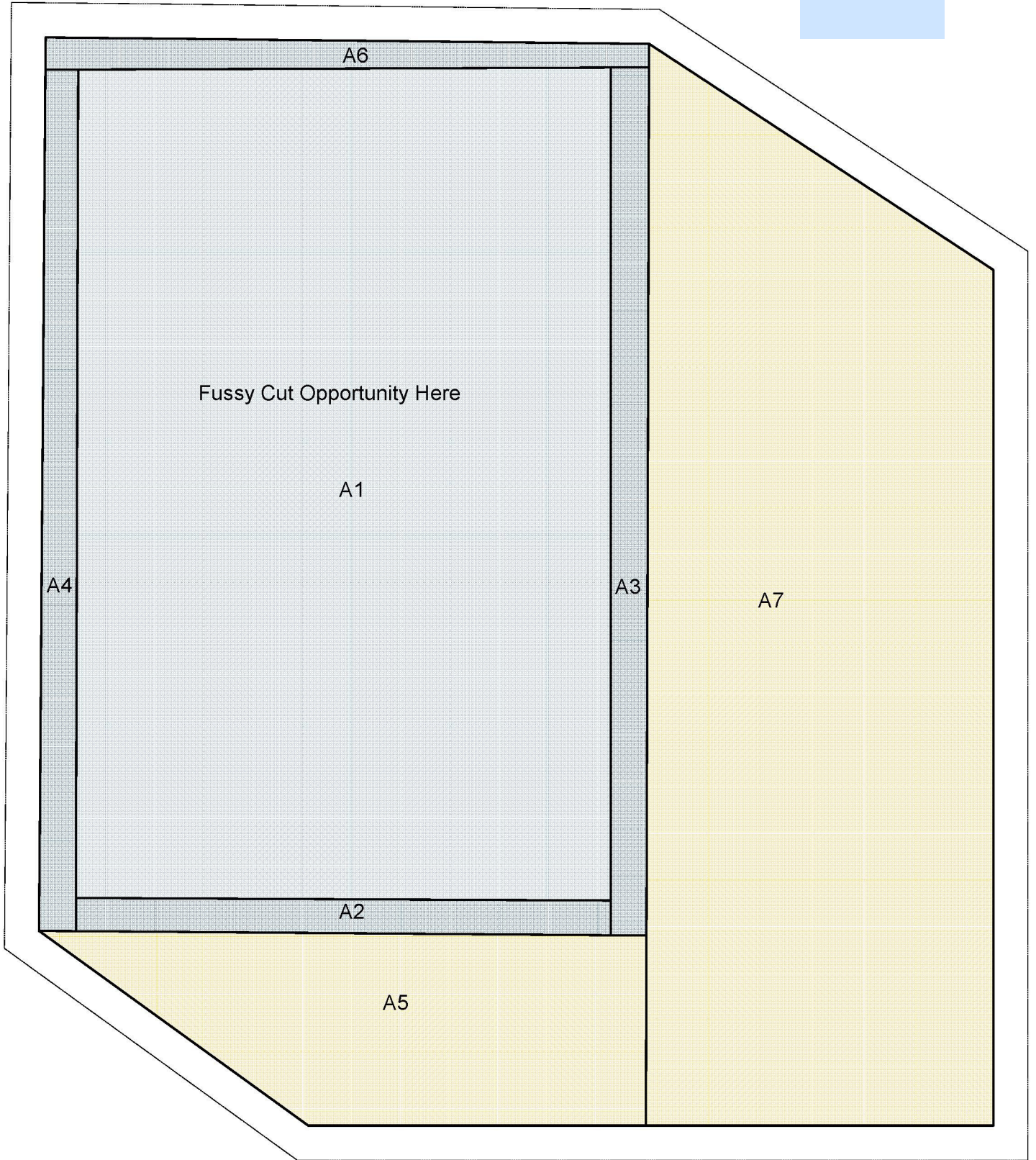
### Instructions:

After piecing each section-

- Join C + D
  - Join B+ CD
  - Join F+G+I
  - Join A+FGI
  - With a Y Seam, Join AFGI+ BCD= Unit A
  - Join Unit A to J= Unit B
  - Join Unit B to H
  - Finally finish with adding E
  - Trim down to 12.5" as needed
- Pro tip: remove the paper around your seam allowances before joining difficult sections.



1"



# Templates

