



[www.awolvision.com](http://www.awolvision.com)  
[support@awolvision.com](mailto:support@awolvision.com)

## AWOL Vision Matte white Fixed Frame Screen INSTRUCTION MANUAL



Thank you for choosing the AWOL Vision Matte White Projection Screen. Please read this manual carefully before installation and use.

## PACKING LIST



① Inner frame A × 2



① Inner frame B × 2



① Inner frame C × 2



② Outer frame A × 2



② Outer frame B × 2



② Outer frame C × 2



③ Support rod × 1



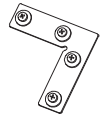
④ Glass fiber strip × 2



④ Glass fiber strip × 4



⑤ Screen × 1



⑥ Corner connectors × 4



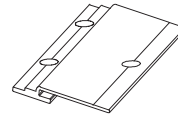
⑦ Corner connectors × 4



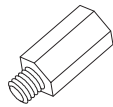
⑧ Tension spring × N



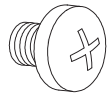
⑨ Pull hook × 1



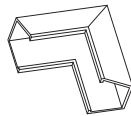
⑩ Outer frame connector × 2



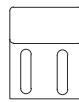
⑪ M5 single head hexagon stud × 4



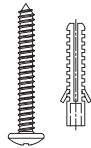
⑫ M5\*6 Phillips screw × 6



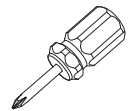
⑬ Corner protection × 4



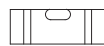
⑭ Wall bracket × 2



⑮ Wall bracket screw × 4 set



Phillips screwdriver × 1



Spirit level × 1



Gloves × 1



Manual × 1

## 7.0 Specification

AWOL Vision Matte White Screen Specification		
<b>Model</b>	MW-100	MW-120
<b>Size</b>	100 inch	120 inch
<b>Material</b>	Matte white	Matte white
<b>Gain</b>	1.3 dB	1.3 dB
<b>Resolution</b>	up to 8K	up to 8K
<b>Viewing Angle</b>	170°	170°
<b>Projection Ratio</b>	16:9	16:9
<b>Matched Projector</b>	Long Throw Projector	Long Throw Projector
	Shor Throw Projector	Shor Throw Projector
	Ultra Short Throw Projector	Ultra Short Throw Projector
<b>Screen Weight</b>	17.2 lbs / 7.8 kg	21.4 lbs / 9.7 kg
<b>Package Weight</b>	25.41 lbs / 11.5 kg	28.7 lbs / 13 kg
<b>Package Size</b>	1405*230*130MM 55.3*9.1*5.2 inch	1650*230*130MM 65.0*9.1*5.1 inch

6.2 Drill holes on the marks on the wall with a percussion drill, insert the rubber plug, screw on the screws, and fix the wall bracket (Figure 13)

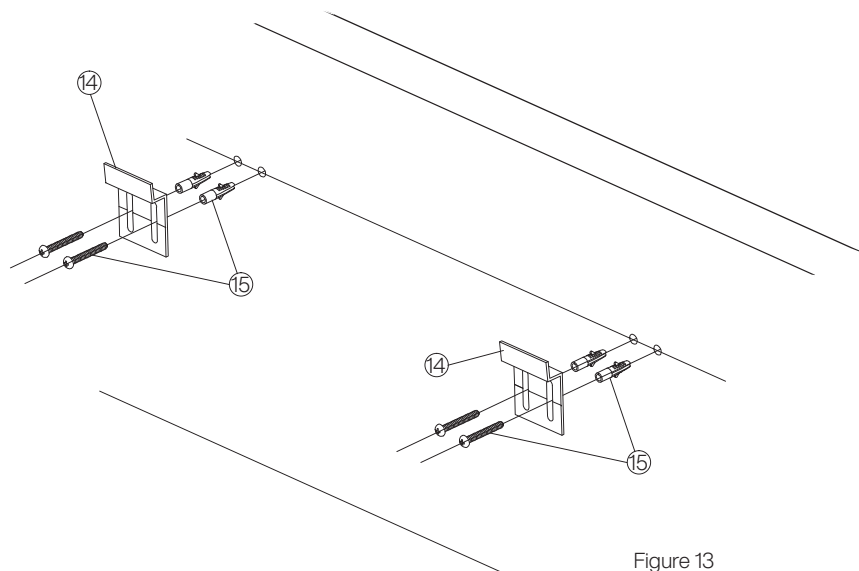


Figure 13

6.3 Hang the assembled screen on the wall (operated by two persons) (Figure 14)

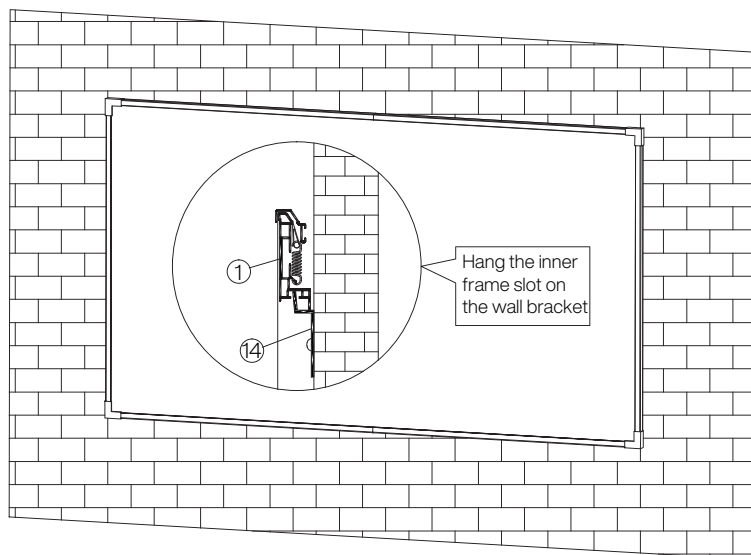
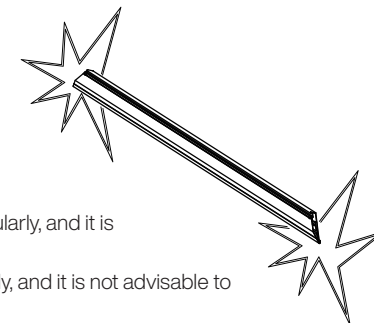


Figure 14

## 1.0 Precautions

To ensure the projection performance of this product, please pay attention to the following operating requirements.

- 1.1 When assembling, find a suitable size floor or table. The surface must be clean and free of any obstacles. The floor or table must be covered with clean materials such as cloth, film, blankets, etc.
- 1.2 Handle with care during installation to prevent personal injury or property damage.
- 1.3 Do not touch the surface of the projection screen with unglved hands.
- 1.4 Do not touch the projection surface with sharp or hard objects to prevent damage to the screen material.
- 1.5 Keep children away from the screen to prevent accidents.
- 1.6 The surface of the screen must be cleaned and treated regularly, and it is recommended to take care of it once every two weeks.
- 1.7 Please use a soft cotton cloth to wipe (dip some water) gently, and it is not advisable to use any chemical cleaners or alcohol.



## 2.0 Assemble the frame

- 2.1 Open the package and check whether the accessories in the box are complete.
- 2.2 Connect inner frame A and inner frame B first (Figure 1)
- 2.3 Insert the 4 corner connectors into the inner frame C (picture 2)
- 2.4 Assemble the four inner frames and struts as shown in the figure below, and lock them with screws after the inner frame is assembled (Figure 2, Figure 3);

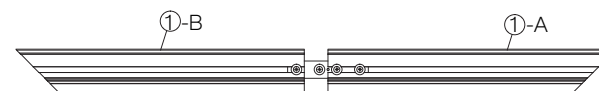


Figure 1

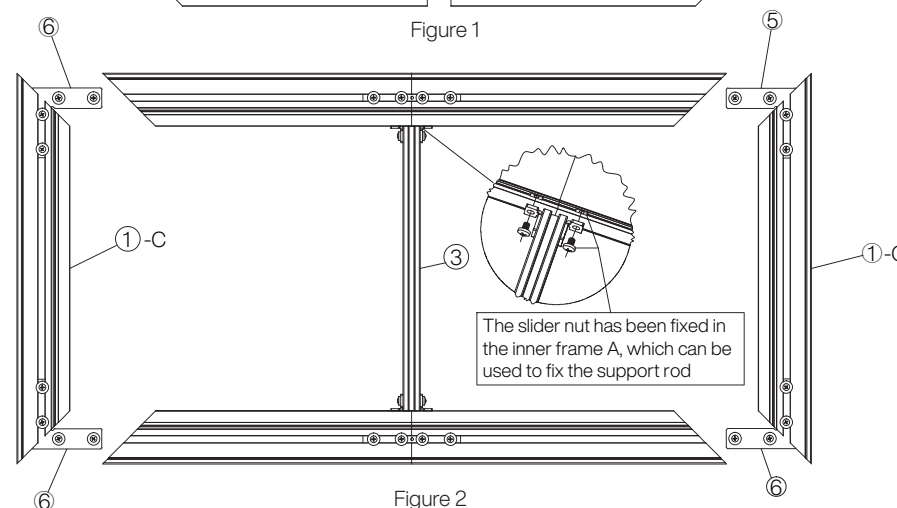


Figure 2

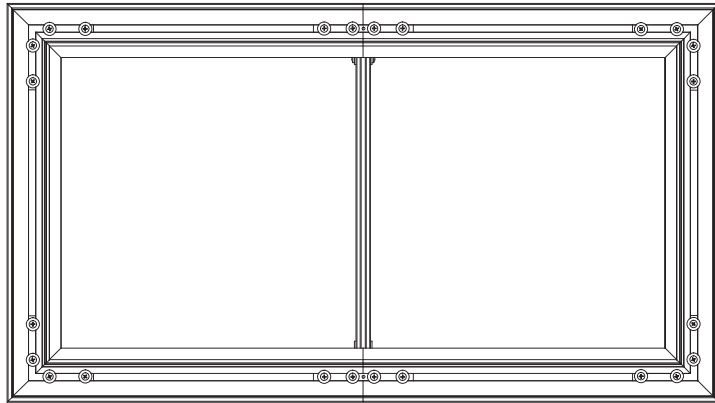


Figure 3

### 3.0 Assemble the screen

- 3.1 Wear gloves (to avoid the screen being stained with fingerprints that can not be erased). Lay a clean cloth on a flat, clean surface (or ground) to protect the screen.
- 3.2 Take out the screen from the package, turn the screen face down, unfold the screen, and then according to the length of the glass fiber strips, take the glass fiber strips insert to around of screen as shown below.

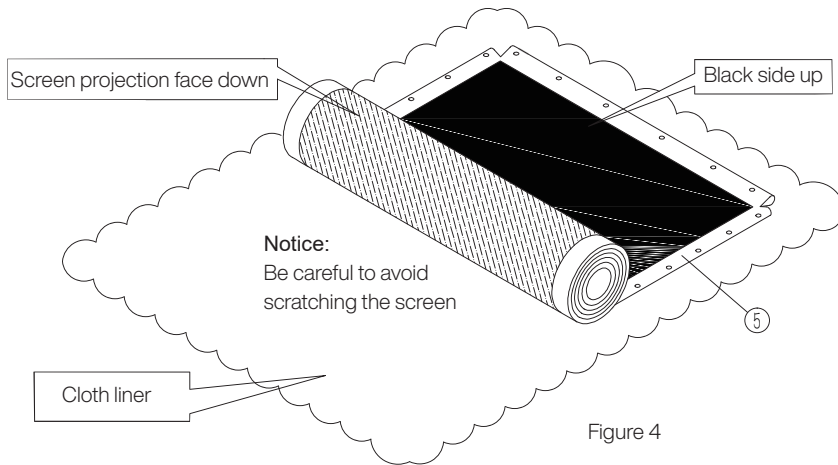


Figure 4

### 6.0 Mount on the wall

6.1 Install wall hangers on the wall according to screen size. Required tools: level, hammer drill, pencil, ladder, etc. As shown below. Please estimate the installation position of the screen before installing the wall pendants. The height of the lower edge of the screen from the ground is generally about 50~80cm.

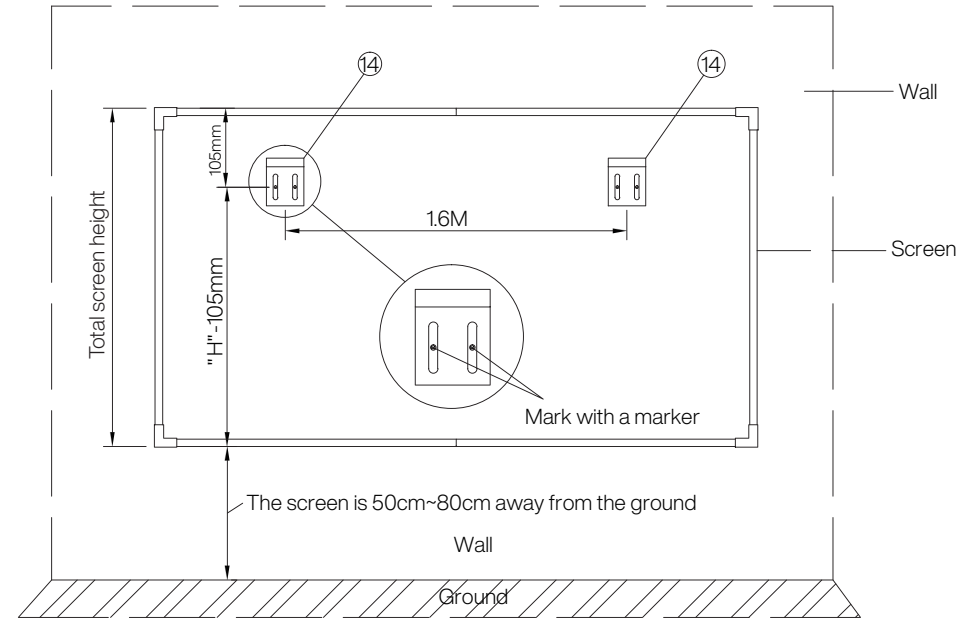


Figure 12

5.2 Put the outer frame against the frame screen, align the four corners, connect the surroundings with corner connector and lock all the screws (Figure 10)

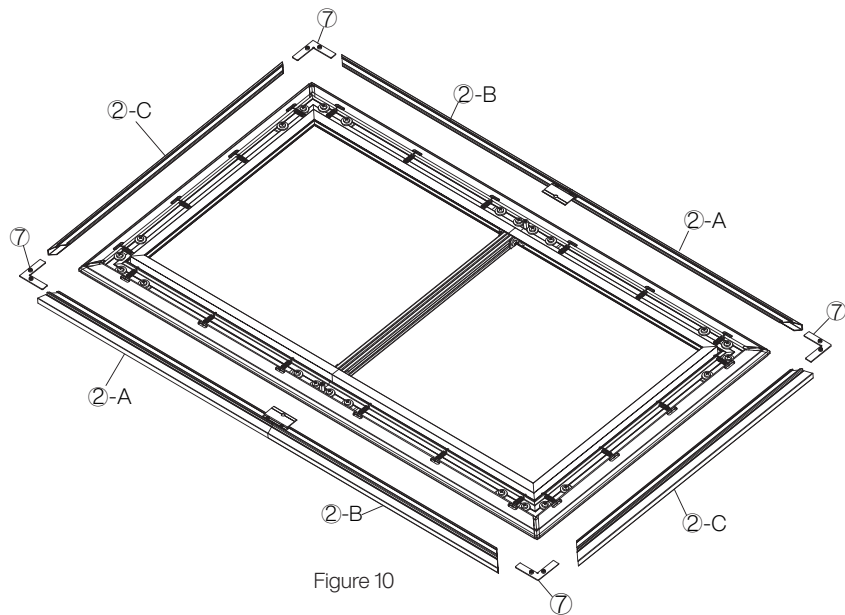


Figure 10

5.3 Use screws to lock the joints of the outer frame on the hexagonal studs, and clip the corner protectors into the slots of the outer frame (Figure 11)

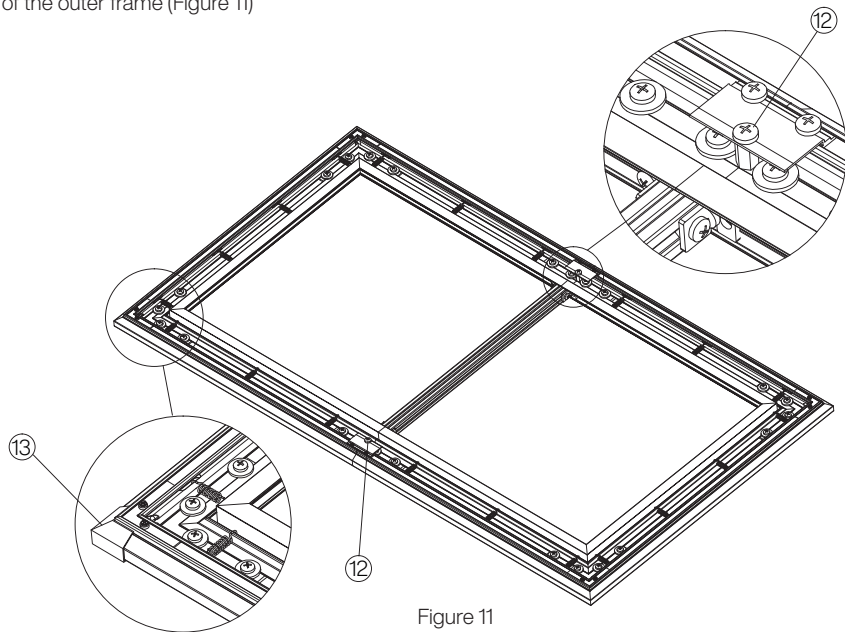


Figure 11

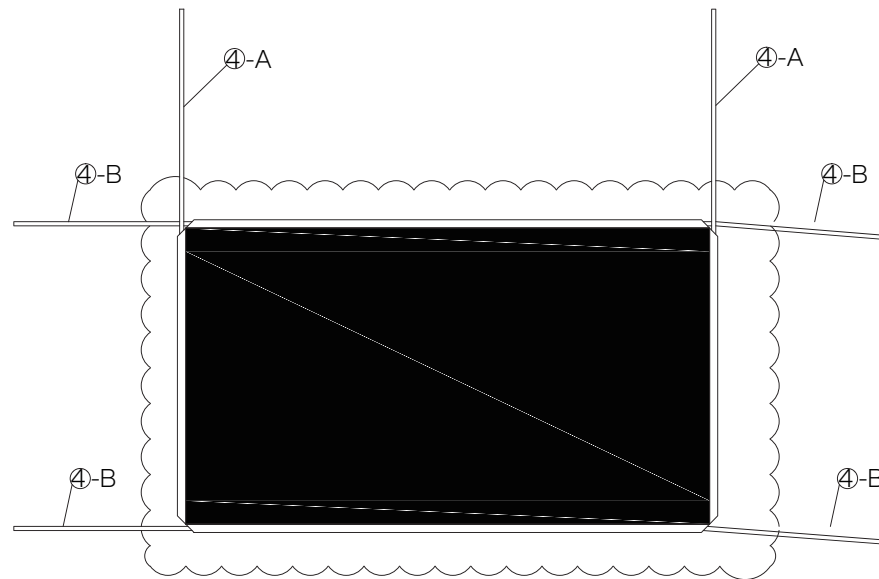


Figure 5



Important note: Please cooperate with two people when assembling, and do not make any actions that may cause the screen to fold or rub against hard objects.

#### 4.0 Assemble screen and inner frame

4.1 Put the assembled frame on the screen. Align the frame with the line marks on the four corners of the screen (Figure 6)

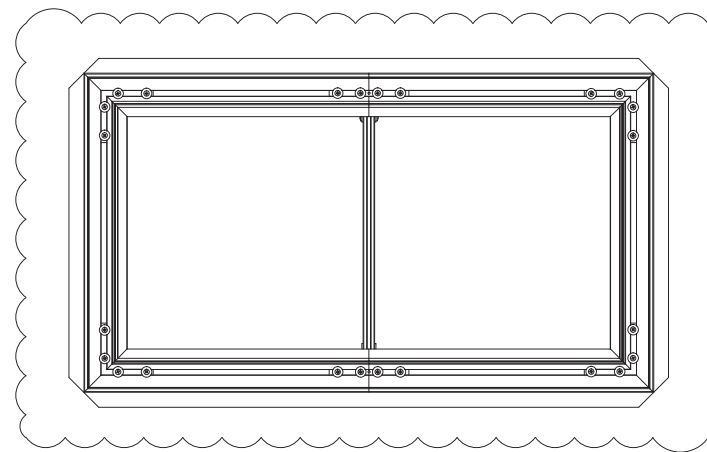
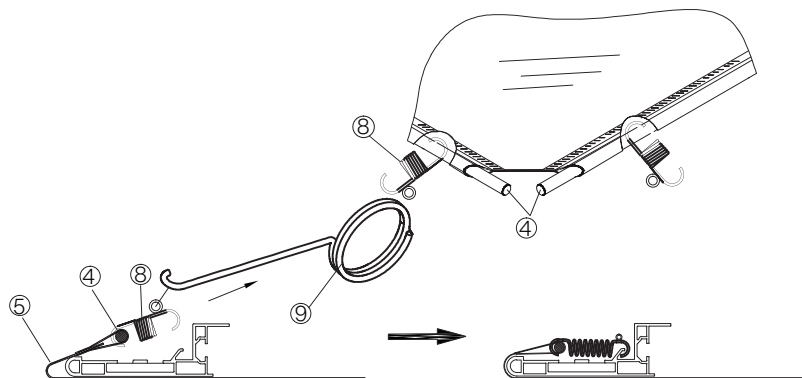


Figure 6

4.2 Adjust the position of the screen and the frame so that the frame is in the middle of the screen, and check the overall flatness of the screen. before installing the tension spring.



4.3 Hang the screen on the frame with the tension spring. Please follow the following sequence for hooking tension springs, Firstly install the four corner springs in the order of 1~8; then hang the middle springs 9~12, and finally spring from the middle, and install the other springs symmetrically in turn (Figure 7)

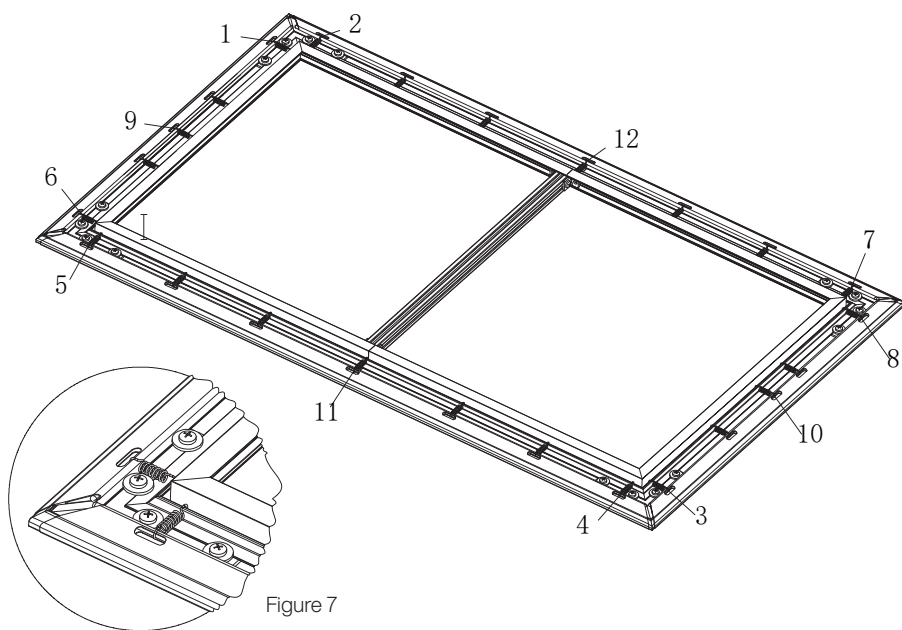


Figure 7

## 5.0 Outer frame installation

5.1 Splice the outer frame A and outer frame B into a complete frame (Figure 8), and drive the hexagonal studs into the long frame splicing strip (Figure 9)

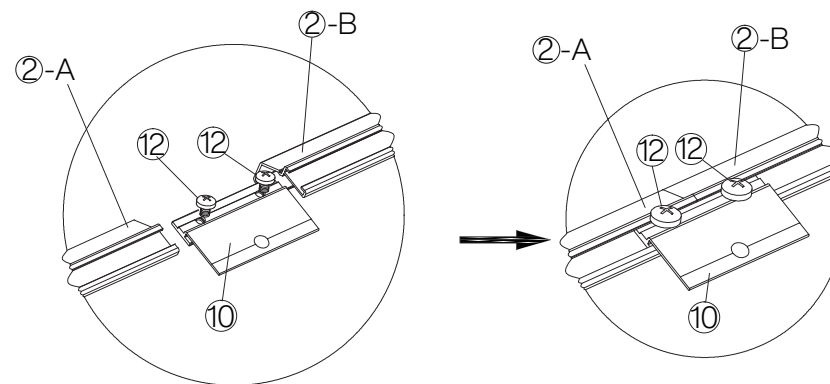


Figure 8

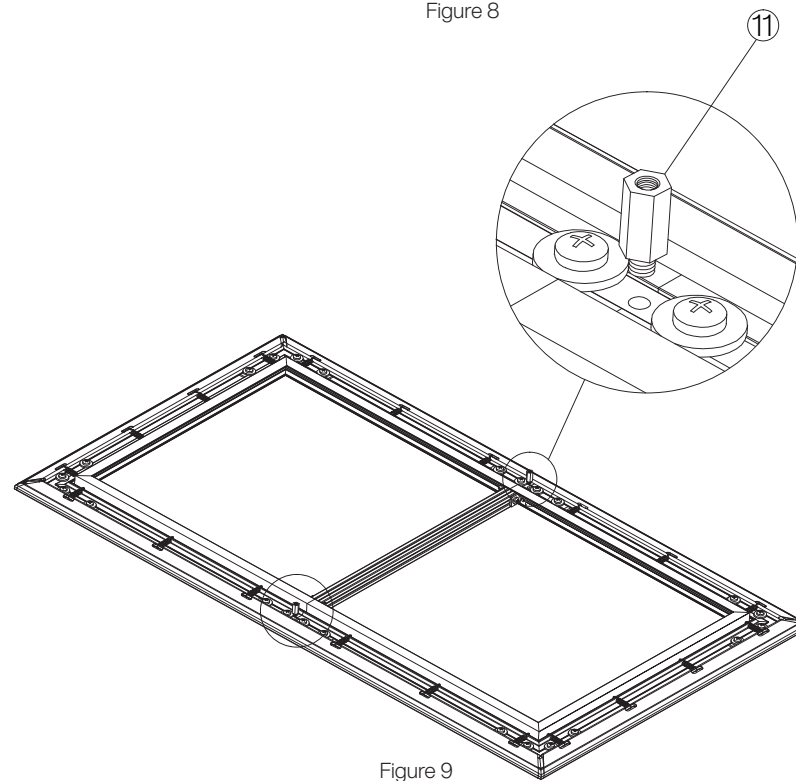


Figure 9