

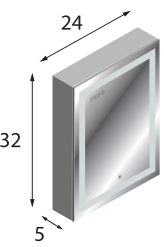
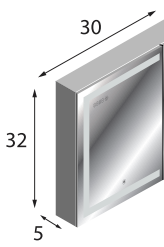
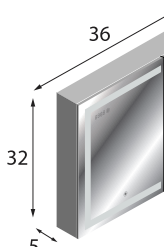
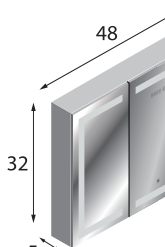
MEDICINE CABINET

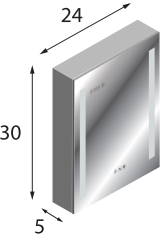
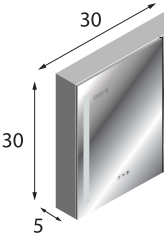
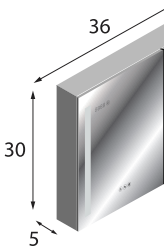
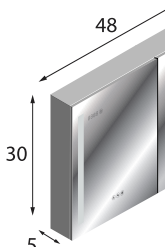
INSTALL MANUAL

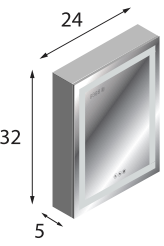
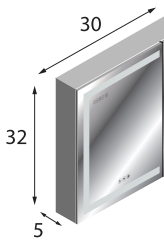
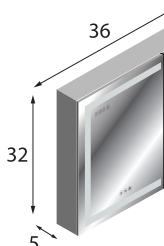
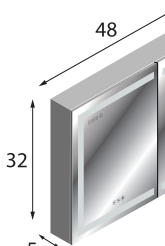


FEATURES

- ETL Certified Residential & Commercial
- Recessed or Surface Mount
- Digital Clock v2.0 | 12hr – 24hr
- Room Temp Display °C/ °F
- Touch Screen Buttons
- Light Setting Auto Memory
- Dimmable | 3 Color LED Task Lights
- Color Temp 2.500K – 6.500K
- Cri 90 LED Bulb's Upto 2281LM
- Defogging Full Mirror
- Concealed Finger Door Open
- LED Interior Light, Auto On/OFF Sensor
- Double Side Mirror Doors
- Mirrored Interior Back Wall
- Cosmetic Mirror LED | 3x Magnify
- Adjustable 8 mm Tempered Glass Shelves
- Concealed Shelf Clips
- Blum Hinge 170° Swing | Soft Close
- IP 44 & IP 65.4 Rated | Dust & Watertight
- Dual Outlet – Dual USB Ports
- Easy OFF – Side Mirrors for Recessed Install
- Installation Kit Included

 <p>DUNA 2432L/R DOOR SIZE 24" Single SIZE in FULL 24"x32"x5" SIZE in ROUGH 23.5"x31.5"x4.5"</p>	 <p>DUNA 3032 DOOR SIZE 20"Lx10"R SIZE in FULL 30"x32"x5" SIZE in ROUGH 29.5"x31.5"x4.5"</p>	 <p>DUNA 3632 DOOR SIZE 24"Lx12"R SIZE in FULL 36"x32"x5" SIZE in ROUGH 35.5"x31.5"x4.5"</p>	 <p>DUNA 4832 DOOR SIZE 16"Lx16"Mx16"R SIZE in FULL 48"x32"x5" SIZE in ROUGH 47.5"x31.5"x4.5"</p>
---	--	--	---

 <p>AURA 2430L/R DOOR SIZE 24" Single SIZE in FULL 24"x30"x5" SIZE in ROUGH 23.5"x29.5"x4.5"</p>	 <p>AURA 3030 DOOR SIZE 20"Lx10"R SIZE in FULL 30"x30"x5" SIZE in ROUGH 29.5"x29.5"x4.5"</p>	 <p>AURA 3630 DOOR SIZE 24"Lx12"R SIZE in FULL 36"x30"x5" SIZE in ROUGH 35.5"x29.5"x4.5"</p>	 <p>AURA 4830 DOOR SIZE 24"Lx24"R SIZE in FULL 48"x30"x5" SIZE in ROUGH 47.5"x29.5"x4.5"</p>
---	--	--	--

 <p>Rubini 2432L/R DOOR SIZE 24" Single SIZE in FULL 24"x32"x5" SIZE in ROUGH 23.5"x31.5"x4.5"</p>	 <p>Rubini 3032 DOOR SIZE 20"Lx10"R SIZE in FULL 30"x32"x5" SIZE in ROUGH 29.5"x31.5"x4.5"</p>	 <p>Rubini 3632 DOOR SIZE 24"Lx12"R SIZE in FULL 36"x32"x5" SIZE in ROUGH 35.5"x31.5"x4.5"</p>	 <p>Rubini 4832 DOOR SIZE 24"Lx24"R SIZE in FULL 48"x32"x5" SIZE in ROUGH 47.5"x31.5"x4.5"</p>
---	--	--	--

IMPORTANT SAFETY INSTRUCTIONS

When using an electrical furnishing, basic precautions should always be followed, including the following:



DANGER

READ AND FOLLOW ALL INSTRUCTIONS BEFORE USING THIS CABINET.



WARNING

To reduce the risk of burns, fire, electric shock or injury to persons. Use this furnishing only for its intended use as described in these instructions. Do not use attachments not recommended by the manufacturer. Never drop or insert any object into any opening. Do not use outdoors.



WARNING

Risk of electric shock. Connect this furnishing to a properly grounded circuit only. See Grounding instructions.



CAUTION

Total/Maximum shelf load 35lbs/15.8kg

GROUNDING INSTRUCTIONS:

This product must be connected to a grounded metal, permanent wiring system, or an equipment-grounding conductor must be run with the circuit conductors and connected to the equipment-grounding terminal or lead on the product.



WARNING

An Electrical option cabinet must be wired to a 15 Amp GFI (Ground Fault Interrupter) protected circuit when used in bathrooms and all other locations required by the National Electric Code.

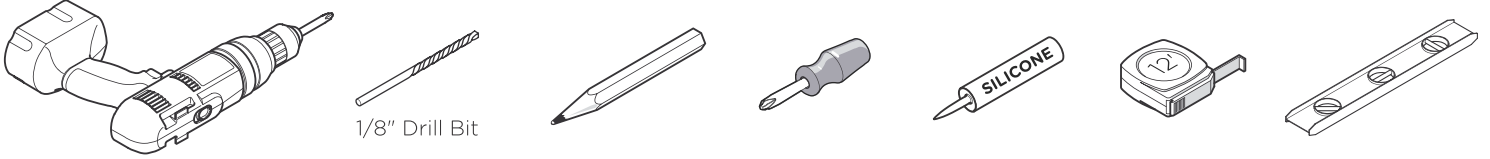
PLEASE SAVE THESE INSTRUCTIONS FOR FUTURE REFERENCE

MEDICINE CABINET

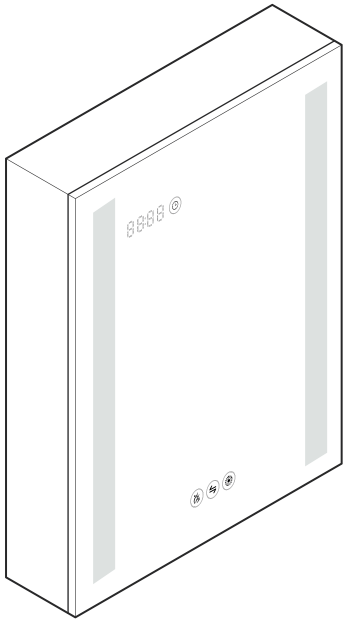
INSTALL MANUAL



TOOLS REQUIRED FOR ASSEMBLY

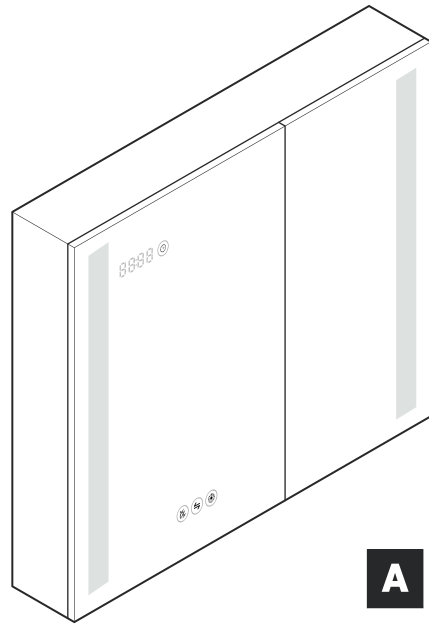


PARTS

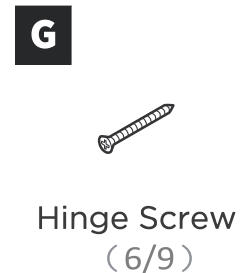
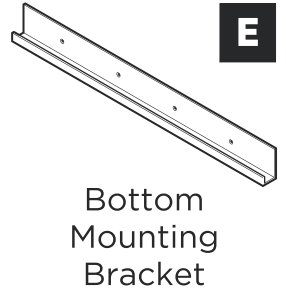
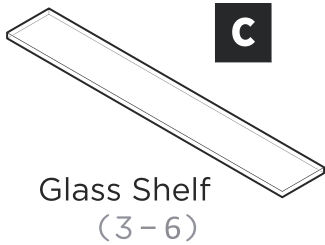
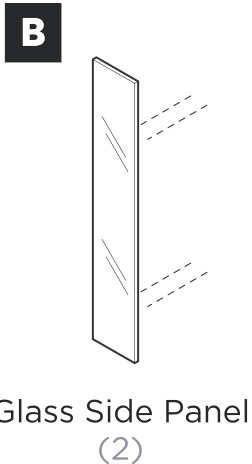


A Single Door Cabinet

OR



A Double Door Cabinet



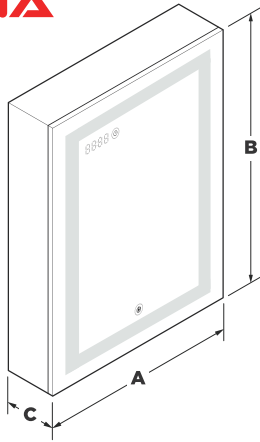
MEDICINE CABINET

INSTALL MANUAL

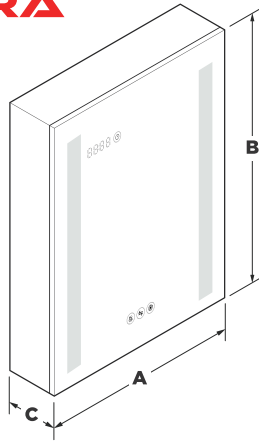


DIMENSIONS

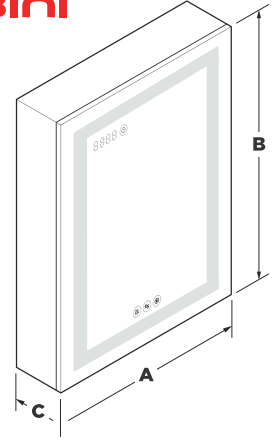
DUNA



AURA



RUBINI



A - Cabinet's width | **B** - Cabinet's Height | **C** - Cabinet's Depth

DUNA	2432L/R	3032	3632	4832
A	24"	30"	36"	48"
B	32"	32"	32"	32"
C	5"	5"	5"	5"
ROUGH IN SIZES	23.5"x31.5"x4.5"	29.5"x31.5"x4.5"	35.5"x31.5"x4.5"	47.5"x31.5"x4.5"

AURA	2430L/R	3030	3630	4830
A	24"	30"	36"	48"
B	30"	30"	30"	30"
C	5"	5"	5"	5"
ROUGH IN SIZES	23.5"x29.5"x4.5"	29.5"x29.5"x4.5"	35.5"x29.5"x4.5"	47.5"x29.5"x4.5"

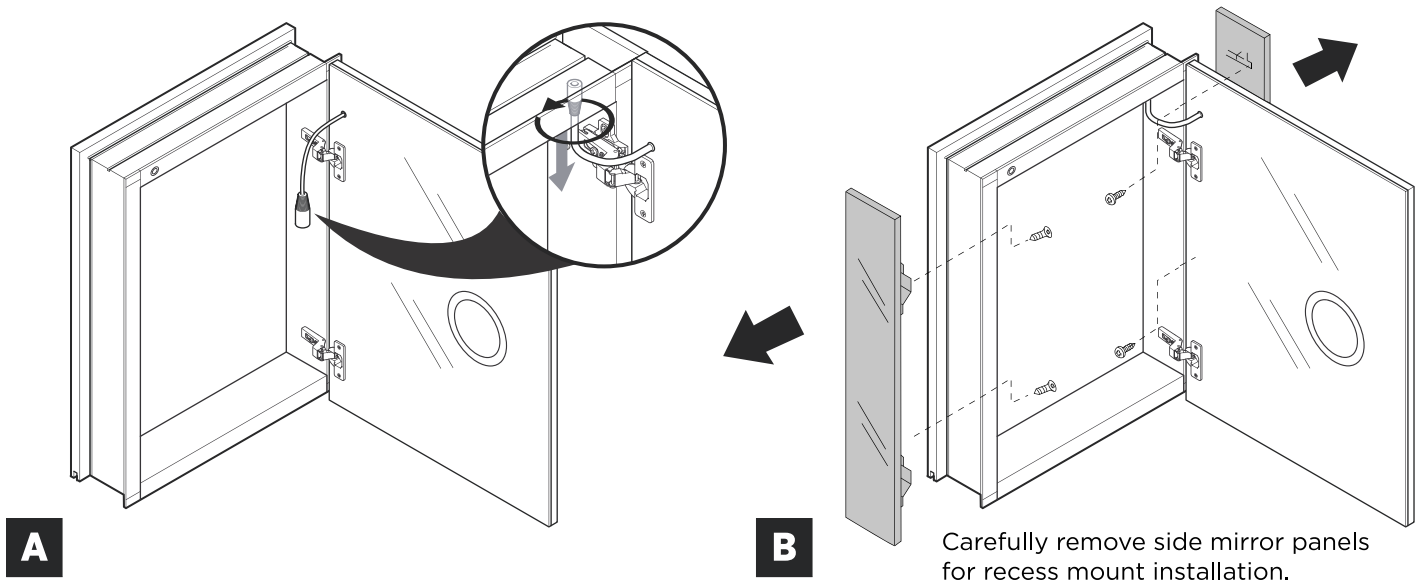
RUBINI	2432L/R	3032	3632	4832
A	24"	30"	36"	48"
B	32"	32"	32"	32"
C	5"	5"	5"	5"
ROUGH IN SIZES	23.5"x31.5"x4.5"	29.5"x31.5"x4.5"	35.5"x31.5"x4.5"	47.5"x31.5"x4.5"

NOTE: Determine overall medicine cabinet dimensions. If recessing medicine cabinet, determine rough-in dimensions.

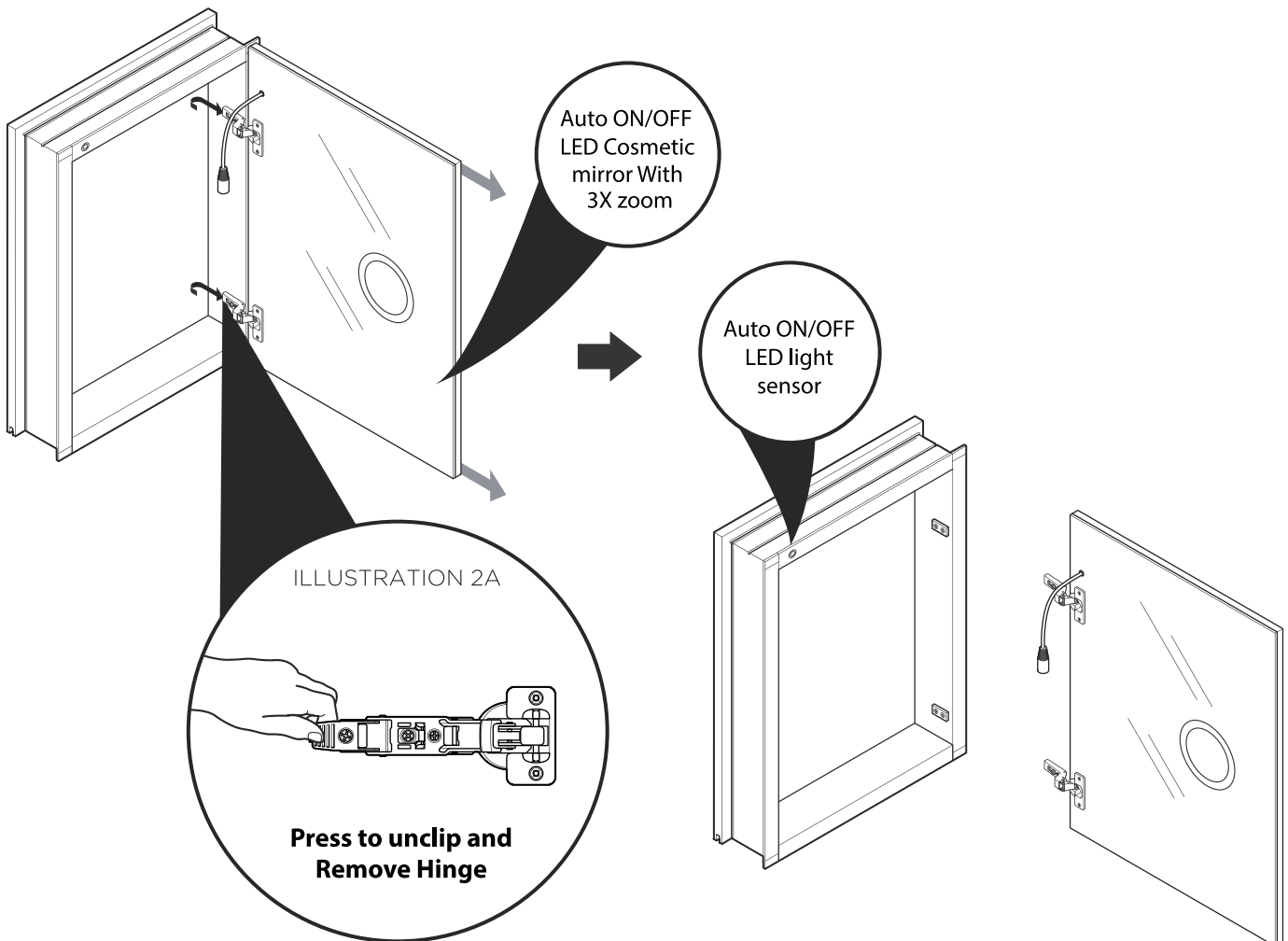
***NOTE:** All dimensions & specifications are approximate and subject to change without notice.

PRIOR TO MOUNTING:

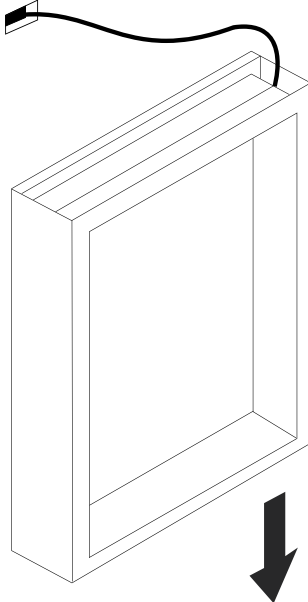
- 1** Remove Door/s Prior mounting your cabinet. Start with unplugging the door from the cabinet. **A**



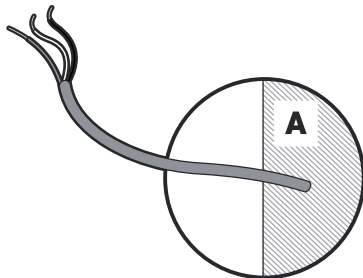
- 2** While supporting the door release the lever under the hinge arm (See Illustration 2A). Slide the door off the frame.







ELECTRIC CONNECTIONS

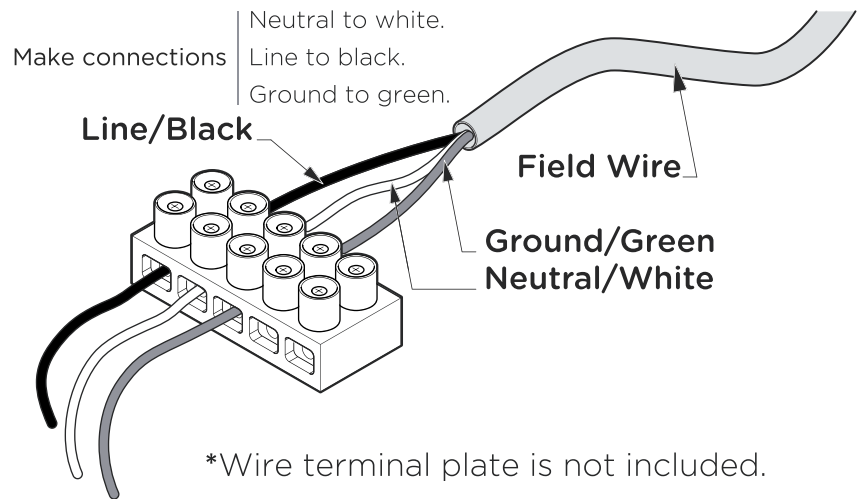


When Doors facing you, the electrical wire comes out through the access hole in the **TOP RIGHT SIDE** of the cabinet. **DUNA 24"R - AURA 24"R - RUBiNi 24"R** from the **TOP LEFT SIDE** of the cabinet due to reversal of outlet side.



ALL WIRING SHOULD BE DONE BY A QUALIFIED LICENCED ELECTRICIAN

-  **WARNING:** Shut off power before wiring the cabinet.
-  **WARNING:** An Electrical option cabinet must be wired to a 15 Amp GFI (Ground Fault Interrupter) protected circuit when used in bathrooms and all other locations required by the National Electric Code.
-  **CAUTION:** This product must be connected to a grounded, metal permanent wiring system or an equipment-grounding conductor must be run with the circuit conductors and connected to the equipment grounding terminal or lead on the product.
-  **CAUTION:** Requires 120 VAC 15 Amp GFI protected circuit.



RECESS-MOUNT INSTALLATION

Make Rough Opening and Frame on all sides. Reference your Cabinet Model Dimensions and Rough in dimensions on Page 4. Make sure the cabinet door has a clearance of at least 1" from the top of the faucet and 1" from the ceiling.

Electric wiring: Be sure to provide enough wire to make the proper and safe connection to the Field/Power. Place cabinet in rough-in and make sure the cabinet is square, level and plumb. Secure the cabinet with the mounting screws into the framing studs.

RECESS-MOUNT INSTALLATION

1

Draw the perimeter of the medicine cabinet on the wall.

2

Cut the marked perimeter with appropriate tool.

3

Frame the cutout opening.
(See Illustration below)

4

Place and hold the medicine cabinet in the cutout opening.

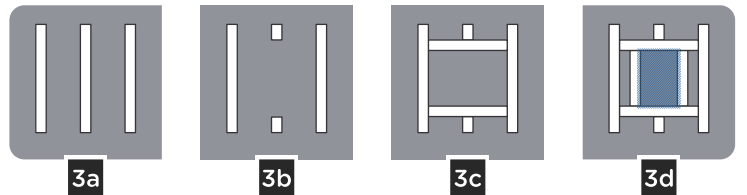
5

Level, then secure the medicine cabinet with the screws through the mounting holes into the framing studs.

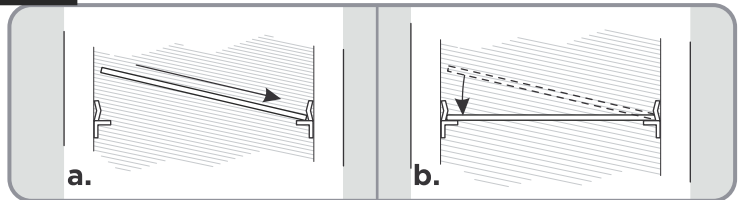
6

Choose the position for your shelves, then snap in shelf clips (F) into side holes of the cabinet.

4 STEPS TO FRAME THE CUTOUT OPENING



7 GLASS SHELF INSTALLATION



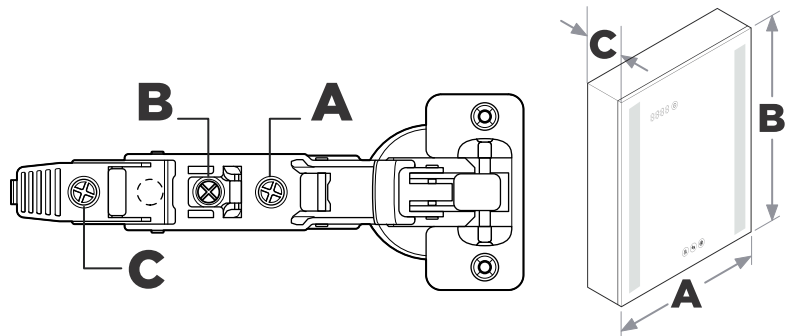
a. Push a side of the glass shelf into the left or the right pins.

b. Snap the glass shelf into the opposite side.

OPTIONAL DOOR ADJUSTMENT

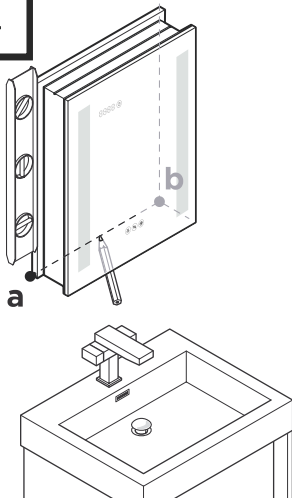
Doors may need to be adjusted after the initial shipping of the cabinet. The cabinet doors have a three-way adjustment feature.

Height, side-to-side, level and depth can be adjusted. With the hinge slightly closed you can access the middle screw for up/down adjustment. With the hinge fully extended you can access the front and back screws. These screws will move the door side to side and in and out.



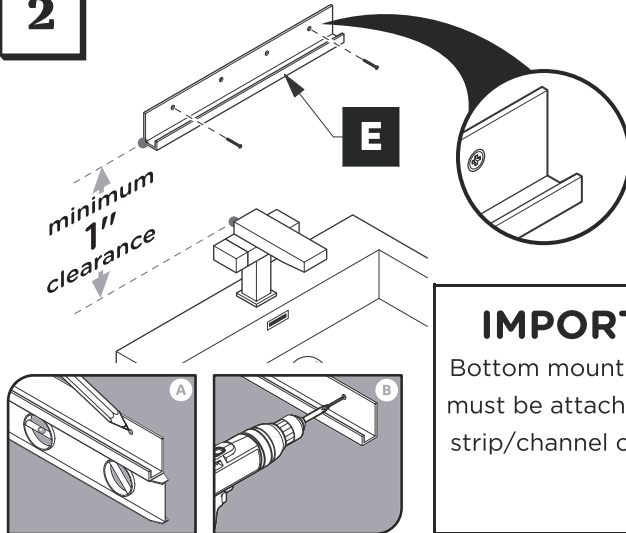
SURFACE-MOUNT INSTALLATION

1



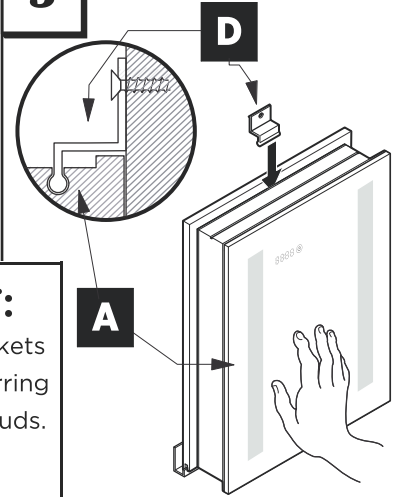
Level and mark the medicine cabinet's location on the wall from point **a** to point **b**.

2



Level and mark. Attach bottom bracket (**E**) to the wall.

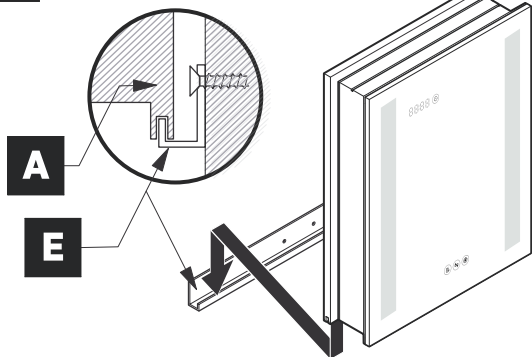
3



IMPORTANT:
Bottom mounting brackets must be attached to furring strip/channel or wall studs.

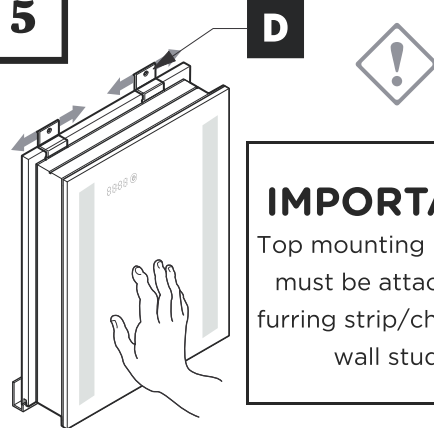
Insert top mounting bracket (**D**) into the top of the cabinet (**A**).

4



With assistance, rest the medicine cabinet (**A**) on the bottom mounting bracket (**E**) and hold it in place.

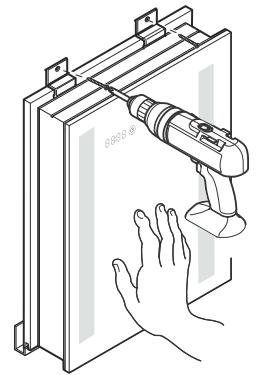
5



IMPORTANT:
Top mounting brackets must be attached to furring strip/channel or wall studs.

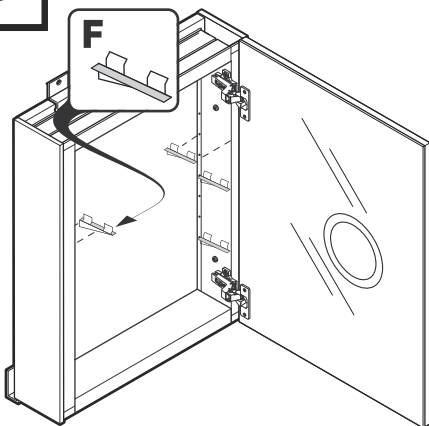
You can slide top mounting brackets (**D**) to the left or right to achieve a desired position.

6



Attach the top mounting brackets to the wall using a drill.

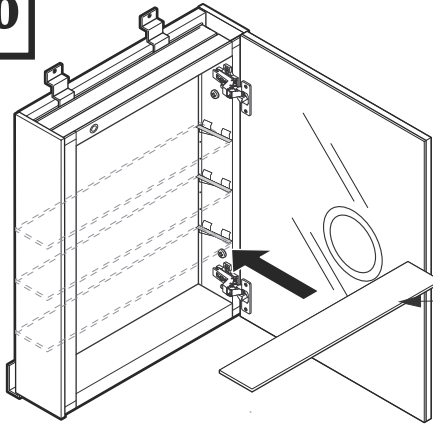
7



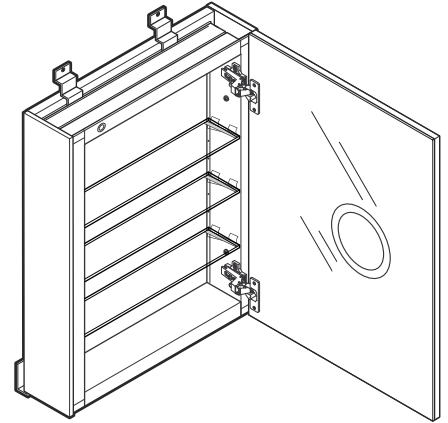
Insert clear snap in shelf clips (**F**) into side holes of the cabinet.

SURFACE-MOUNT INSTALLATION

10



NOTE: For more details on the shelf installation please refer to Page 7, Step 7.



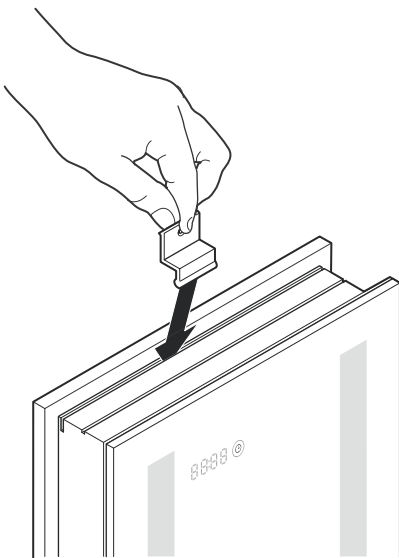
C

During recessed installation if your cabinet frame is build slightly larger than specs advise, secured screws might slightly stretch cabinet in width and shelves clips might not snap your shelf tight but they will hold glass in place securely.

Connect the glass shelves (C) to the cabinet by pushing the side of the shelf in the left or right clip and snapping the shelf down.

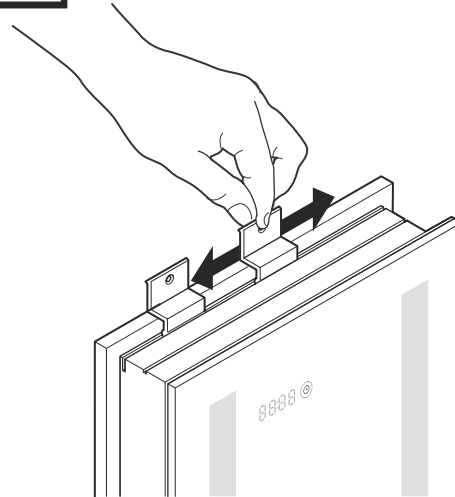
MOUNTING BRACKETS INSTALLATION DETAILS

1



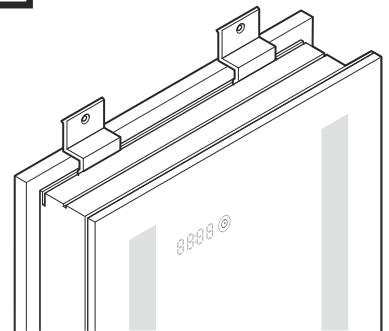
Slide top brackets into channel at the top of the cabinet.

2



Make sure top brackets are locked in the grooves.

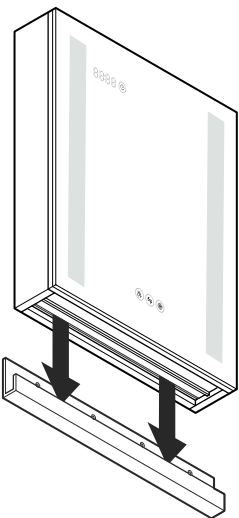
3



IMPORTANT:

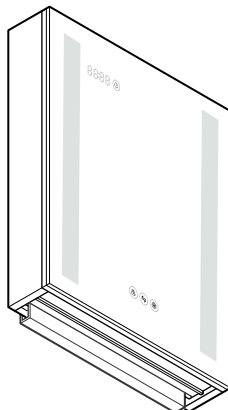
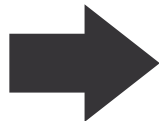
Top mounting brackets must be attached to furring strip/channel or wall studs.

4



IMPORTANT:

Make sure cabinet is leveled and fully inserted into the groove of the bottom bracket.



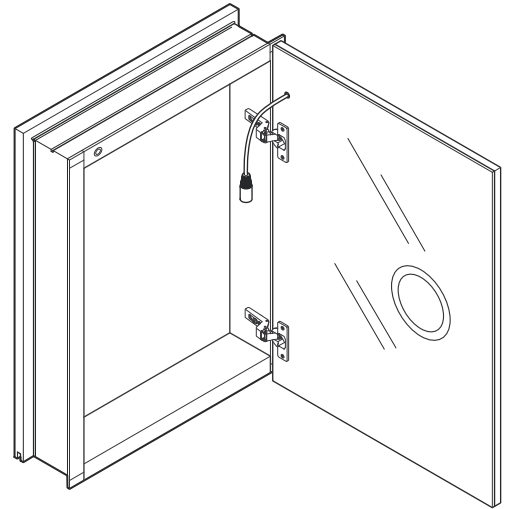
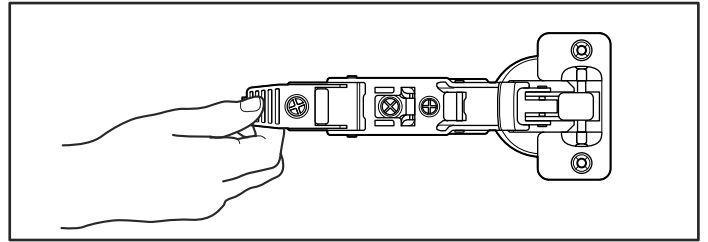
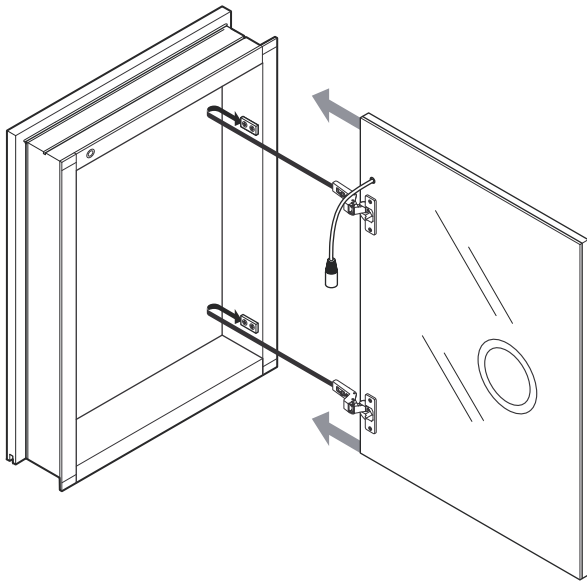
5

Test the fit of the cabinet before Final assembly.

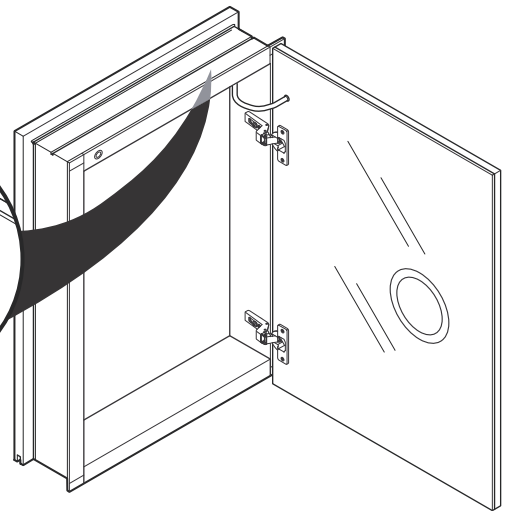
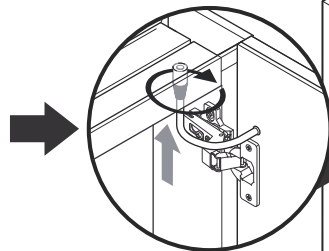
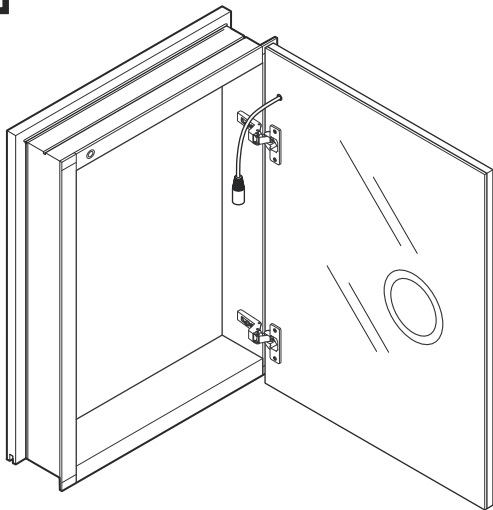
ELECTRIC WIRING: Be sure to provide enough wire to make the proper and safe connection to the Field/Power (see Page 5 for electrical connection instructions).

FINAL ASSEMBLY

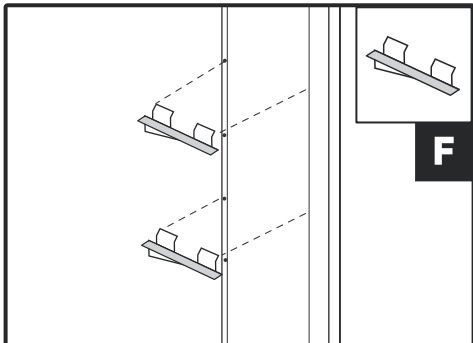
1 Slide the doors into place by pinching the end of the hinge.



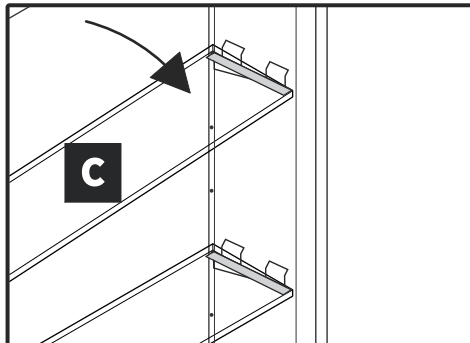
2 Plug the door into the cabinet.



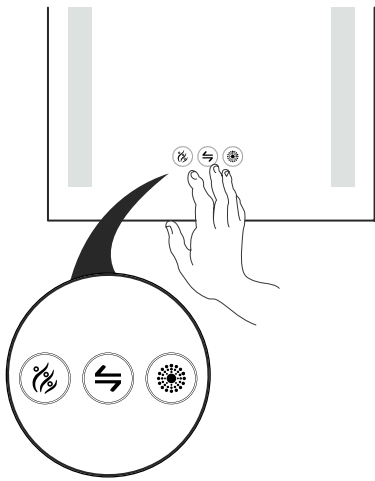
3 **3a.** Insert clear snap in shelf clips (F) into holes on the sides of the cabinet (A).




3b. Push the side of the shelf (C) in the left or right clip and snap the shelf (C) down.




SETUP PROGRAM MODE



Button Functionality for Defogger, Light & Dimmer:

DEFOGGER: touch  key to turn on/off defogging function.


LIGHT: touch  key to turn on/off lighting function.

Hold  **key** to dim or brighten the light.

LIGHT: tap  key to rapidly switch color temperature of the light.

Hold  **key** to gradually switch the color of the light.


Setting Digital Clock & Room Temperature mode:

Hold  **key** more than two seconds and enter setup mode.
Clock will cycle digits for 12/24, hours, minutes & C°/ F°
with 3 second intervals.

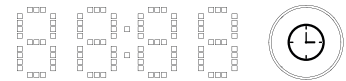
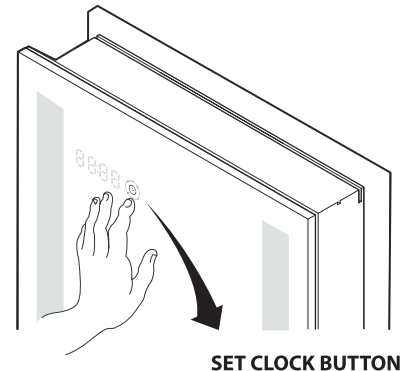
ENTER Setup MODE:

Hold  **key** time **12H / 24H** will start to flicker, tap your selection.

Hold  **key** will move you to next step **HOURS**, tap your selection.

Hold  **key** will move you to next step, **MINUTES**, tap your selection.

Hold  **key** will move you to next step, **C°/ F°** tap your selection & just **Let GO**.



Use and Maintenance:

CAUTION: Maximum total shelf load 35 LBS. Cabinet and doors are constructed of mirrored glass and aluminum. Use a damp cloth to clean your cabinet and mirrors. Do not use any abrasive material as it may damage the surface and nish of the cabinet. A mild detergent may be used to clean the surfaces of the cabinet.

TROUBLESHOOTING:

For service and parts information please email:

sales@decadom.com

For installation questions contact

DECADOM
877-505-0002