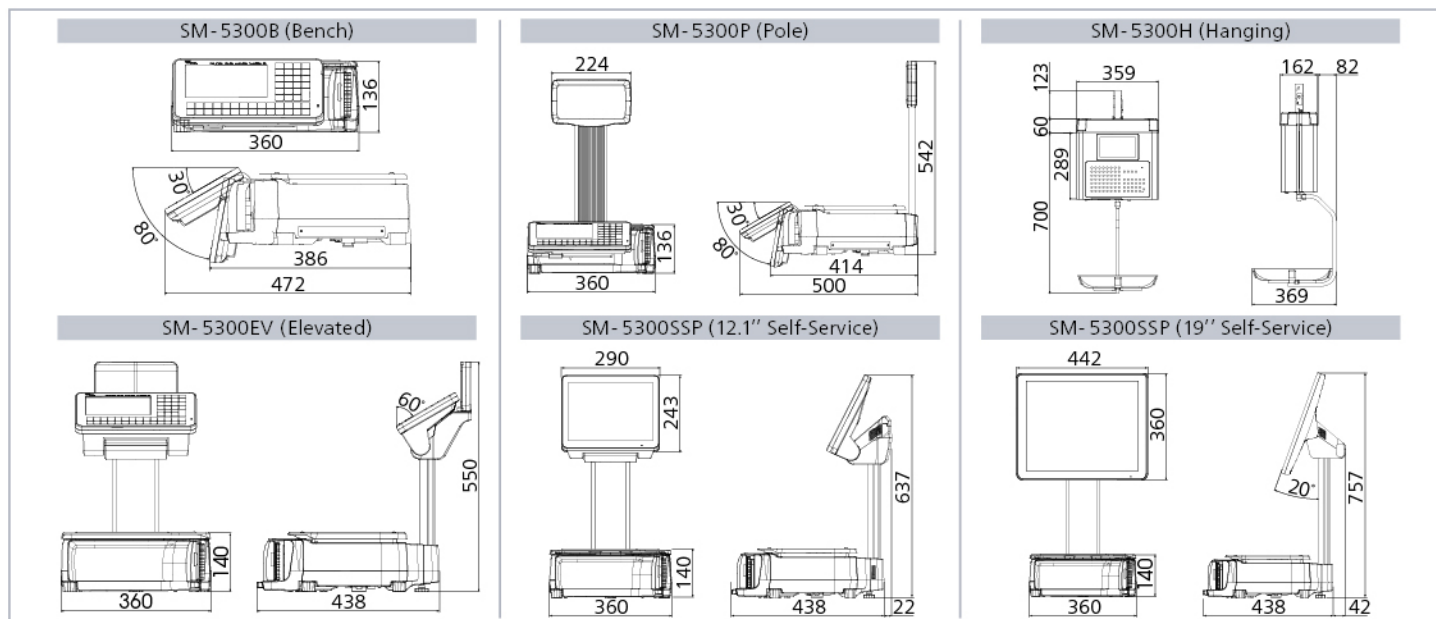


External Dimensions (mm)



Specifications

Capacity	Max 6kg	Max 15kg / 30lb	Max 30kg
Single Interval	1 / 3,000	e = 2g	e = 10g
	1 / 6,000 or 1 / 7,500	e = 1g	e = 5g
Capacity	Max 3 / 6kg	Max 6 / 15kg	Max 15 / 30kg
Multi Interval	1 / 3,000	e = 1 / 2g	e = 5 / 10g

Model	SM-5300B (Bench)	SM-5300P (Pole)	SM-5300EV (Elevated)	SM-5300EV PLUS (Elevated)	SM-5300SSP (12.1" Self-Service)	SM-5300SSP (19" Self-Service)	SM-5300H (Hanging)
Dimension WxDxH(mm)	360 x 472 x 136	360 x 500 x 542	360 x 438 x 550	360 x 438 x 642	360 x 460 x 637	442 x 480 x 757	359 x 369 x 883
Operator Display	7" WVGA with Touch (800 x 480)	—	—	—	—	—	—
Customer Display	—	—	—	—	—	—	—
Display Resolution	1 / 3,000, 1 / 6,000 & 1 / 7,500						
Number of Preset Keys	28 Preset Keys / 23 Alphanumeric Function Keys (For 7" Operator WVGA with Touch)						
Types	Liner			Linerless With Auto-Cutter			
Roll Diameter	125mm (Max)			95mm (Max)			
Label / Print Width	56mm (Max)			56mm (Max)			
Receipt Paper Width	70mm (Max)			62mm (Max)			
Printing Speed	Up to 150mm / second*			100mm / second*			
Print Resolution	200 dpi			200 dpi			
Power Source	AC 100 / 110 or 220 / 230 / 240 Volts (50 / 60Hz) Auto Switch						
Operating Temperature	-10°C to +40°C						
Humidity	15% to 85% RH						
Standard Interface	Ethernet 10 / 100 Base T, 4 x USB 2.0, RJ11						
Net Weight	10.5 kg	11.5 kg	12.5 kg	16.0 kg	13.3 kg	17.0 kg	14.0 kg



12.1" Customer Display

Options	Wireless LAN IEEE 802.11 a / b / g / n, BS-04, e.Label with Hi-Touch, InfoTag
Factory Option	Linerless Printer with Auto-Cutter, Speed ID

** To achieve maximum print speed, high sensitivity thermal paper is necessary.



CE • Specifications are subject to change without prior notice
• Meet or exceed OIML Class III requirements



SM-5300

PC Based System Scale Printer

BRL
Informatique
CAISSE ENREGISTREUSE - BALANCE
SYSTEME POS - TPE
Web : www.brlinformatique.re
BRL INFORMATIQUE
24 res circe cite l'orée
97470 Saint benoit
Tel : 06 93 131760



SM-5300EV

DIGI SINGAPORE PTE. LTD.

4 Leng Kee Road #05-02 / 03 / 04 / 05 / 11 / 12
SIS Building SINGAPORE 159088
TEL : +65 6472 2996
SALES: +65 6378 5387
FAX : +65 6863 4614
URL : www.digisystem.com/sg/
E-MAIL : customer_support@sg.digi-group.com

TERAOKA SEIKO Co., Ltd.

13-12 Kugahara 5-chome, Ohta-ku,
Tokyo 146-8580, JAPAN
TEL: +81-3-3752-2131
FAX: +81-3-3752-5562
URL: www.digisystem.com

SM-5300 / H / 0818

Searching for a New Balance

SM-5300 Variations



SM-5300B



SM-5300P



SM-5300EV



SM-5300EV PLUS



SM-5300SSP (12.1")



SM-5300SSP (19")



SM-5300H



ESL replaces paper price tags with remote real-time pricing and promotional updates. It offers wide viewing angles with colour options and paper-like readability under retail store lighting conditions.



Electronic Shelf Label



Designed with near-field technology, Speed ID can automatically detect clerk's ID for login. It can be configured to allow various levels of access to the scale database and generates an operational log for further analysis.



Intelligent Clerk Recognition



Print twice as many labels of varied length with a single roll of label! By eliminating the backing paper, operation downtime for changing of label rolls is reduced significantly.



Flexible Label Design with Auto-Cutter



Simplify operations to call up PLU codes efficiently in 3 simple steps! Hi-touch PLU system reduces PLU entry errors.



Hi-Touch PLU System

3 Steps: Tap > Weigh > Print

Integrated Solutions



Reduce Food Waste

Track food wastage conveniently and efficiently with SM-5300. Waste Management helps you to boost profitability and minimise regulatory risk by making environmental practices an integral part of your daily operations. Generate reports for further evaluation and sourcing strategies.



Scale Management Software

Manage and monitor scale status and label design remotely at your convenience to reduce downtime.

With @Label scale management software, you can update and configure scale software remotely and boost accurate data maintenance and store operation.



Manage Queue Status Efficiently

SM-5300 supports both single and mobile queue solution for businesses. Efficient queue management helps to reduce potential walk-aways and loss of profit. It also increases operator service efficiency and enhances customer experience.



Seamless Price Updates

- Dust and water resistant
- Compatible with all DIGI PC based scales
- Efficient and responsive PLU call-up
- Operation temperature: 0°C to 40°C
- Available in 1.54", 2.7" and 4.2" display sizes

