

YALE BED

Jean Marie Massaud
2018



Beds in different versions:

- versions with low headboards
- versions with high headboards

Structure

Structure in extruded aluminium, die-cast legs in aluminium.

Structure finishes

- S007 = matt painted white X053
- S068 = matt painted bronze X100
- S069 = matt painted black nickel X101

Dimensions

Available in 3 sizes for 160x200, 180x200 and 200x200 mattresses.

For actual bed sizes, refer to the following tables. Fixed length 220 cm.

Bed height variable depending on the type of mattress used:

- 50 cm with use of H 25 cm mattress
- 45 cm with use of H 20 cm mattress

Cover

The upholstery in fabric or leather covers every part of the headboard and is completely removable.

Optional extra covers are available if required. All units in leather may have, depending on their size and at MDF Italia's discretion, one or more seams.

To select a suitable fabric for each product, please refer to the technical section at the end of the price list or to the product sheets available in the website.

With customer's own leather, in order that the product is properly manufactured, the leather piece must be larger than 5 sqm and with no defects, such as scars or holes.

Seams

These contrasting seams characterise and identify the Yale Bed collection, only for the high headboard variant. Available in the colours white, medium grey and anthracite, which can be selected and combined by the client.

Slats

Load-bearing orthopaedic platform in tubular steel with 40x30mm section, powder coated finish.

Fixed structure, with slats in laminated beech thickness 8 mm, width 70mm and fitted with regulating cursors. Moving the cursors along the length of the slats allows to adjust rigidity in the lower back area and adapt the bed to needs of the person and the shape of the body.

Orthopaedic platform in birch plywood, thickness 20mm, painted with water-based paints, with transversal grooves for aeration of the mattress. Ideal support for uniform comfort, rigidity and better support.

NB: slats and orthopaedic platform were specifically designed to be inserted in the Yale Bed perimeter structure, and their dimensions are reduced to fit into that bed. It is not possible to mount reclining elements.

Mattresses

For mattresses, please refer to the last pages of the "beds" section.

NOTE

The use of the MDF Italia bedslats is compulsory. The slat base and the mattress are not included in the bed price.

FLAME RETARDANT PADDING

Norms 11M, California TB 117-2013 and BS are available upon request with a surcharge as of +5%. Feasibility, costs and delivery times to be verified with our Sales Dept.

NB: the use of flame retardant polyurethanes and interliner can give a different result from the standard.

For the choice of the upholstery and its feasibility according to any norms, please refer to the technical section at the end of the price list.

TABLE OF DIMS

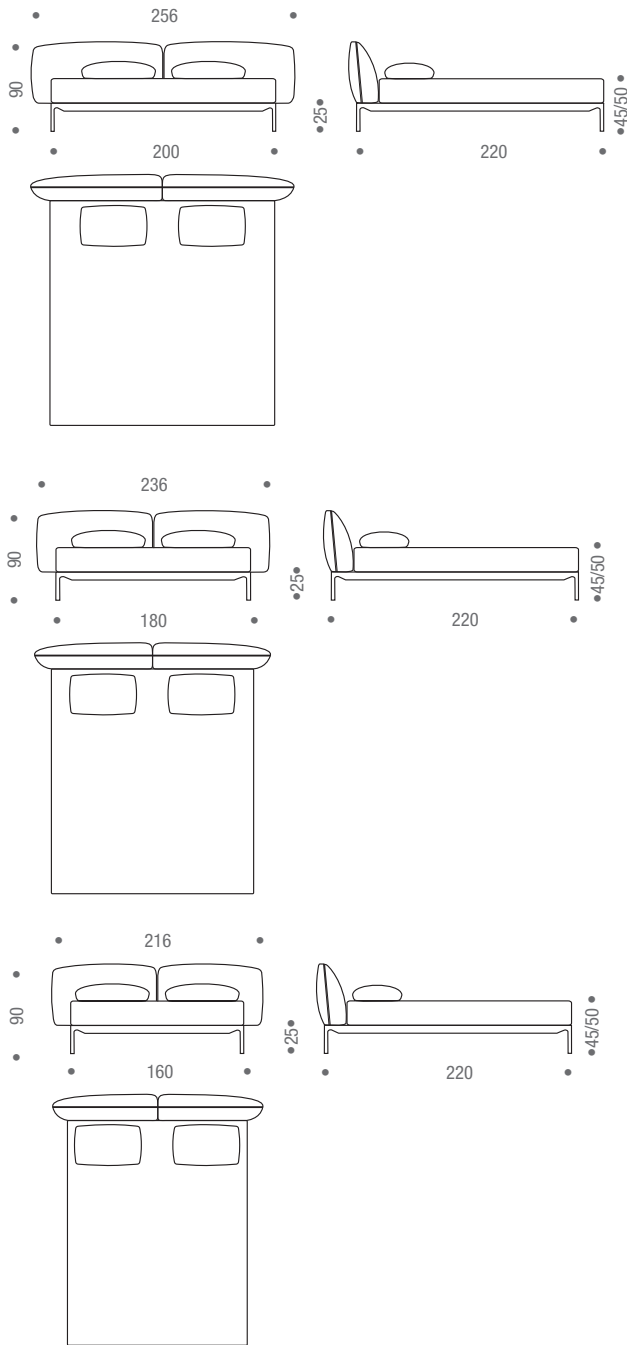
LOW HEADBOARDS	fabric	Mattress / bed nominal size cm	bed real size cm	slats size cm
	*fabric 5,9 x H1,40 m	160 x 200	D216 L220 H90 cm	D136 L196 cm
	*fabric 6,3 x H1,40 m	180 x 200	D236 L220 H90 cm	D156 L196 cm
	*fabric 6,6 x H1,40 m	200 x 200	D256 L220 H90 cm	D176 L196 cm
* With striped/patterned fabrics, pls contact Sales Dept.				

TABLE OF DIMS

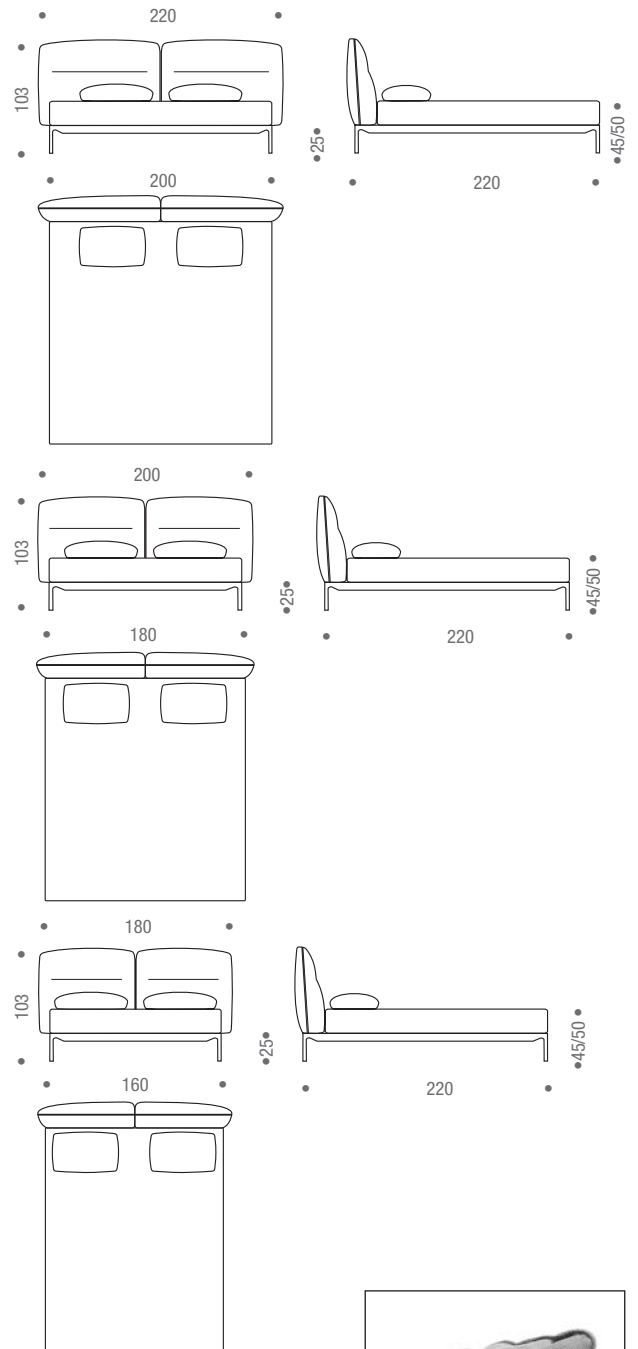
HIGH HEADBOARDS	fabric	Mattress / bed nominal size cm	bed real size cm	slats size cm
	*fabric 5,4 x H1,40 m	160 x 200	D180 L220 H103 cm	D136 L196 cm
	*fabric 5,8 x H1,40 m	180 x 200	D200 L220 H103 cm	D156 L196 cm
	*fabric 6 x H1,40 m	200 x 200	D220 L220 H103 cm	D176 L196 cm
* With striped/patterned fabrics, pls contact Sales Dept.				

YALE BED

VERSIONS WITH LOW HEADBOARDS



VERSIONS WITH HIGH HEADBOARDS beds CLIMA, COMFORT, FORMA

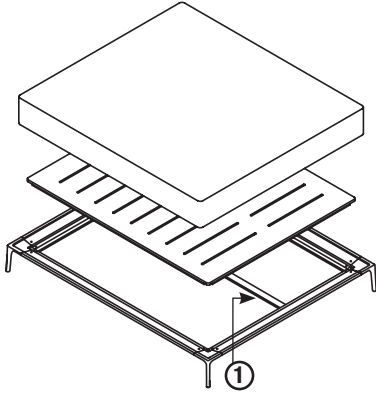


Detail: bed with high headbord and contrasting seam

YALE BED

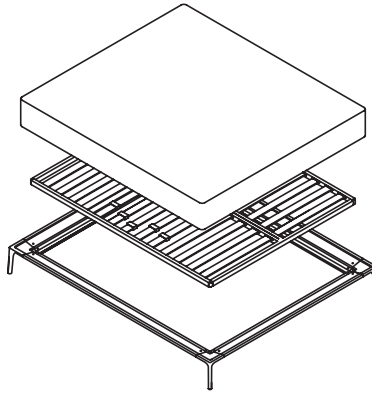
SLATS

YALE BED 180x200 WITH ORTHOPAEDIC PLATFORM

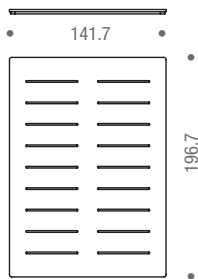


NOTE: the orthopaedic wooden base requires a central support bar, supplied together with the base (1).

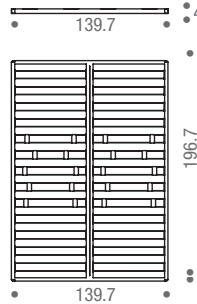
YALE BED 180x200 WITH SLATS



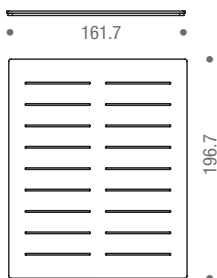
YALE BED ORTHOPAEDIC PLATFORM 160x200



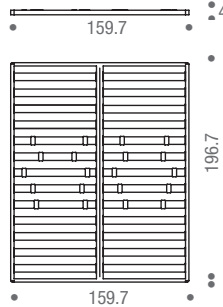
YALE BED SLATS 160x200



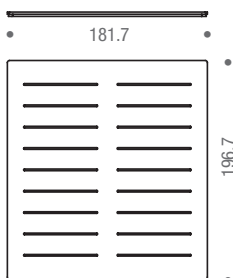
YALE BED ORTHOPAEDIC PLATFORM 180x200



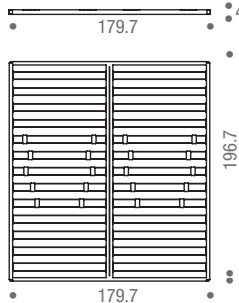
YALE BED SLATS 180x200



YALE BED ORTHOPAEDIC PLATFORM 200x200



YALE BED SLATS 200x200



Detail: orthopaedic base and slats

MATTRESSES

MATTRESSES

MDF Italia offers 4 typologies of mattresses in 3 different dimensions: 160x200 cm, 180x200 cm and 200x200 cm.

Removable linings

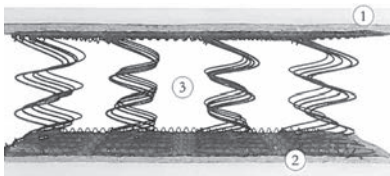


In removable linings, the mattress will be protected by a jersey cotton cover that upholster completely the inner structure

"CLIMA" MATTRESS (H20 cm)

Orthopaedic Bonnell biconical spring mattress made of hardened and phosphatised steel (\emptyset 2,2 mm, 360 springs measuring 170x200 cm). The spring structure is upholstered by a Polyurethane foam sheet, medium density, CFC free and non-yellowing property. Between the spring structure and the PU foam sheet, there is a "Sound-dampening needle punched" reinforcement felt.

The covering feature is fixed and the fabric treated with Sanitized® anti-mite system. The fixed covering features "air-conditioning" of the padding by using wool on the winter side and cotton on the summer side. Mattress suitable for all non-soft bases, except for those with movement.



- 1- Polyurethane foam sheet, CFC free, non-yellowing, medium density.
- 2- Sound absorbent reinforced needle-punched felt.
- 3- Bonnell biconical springs structure in hardened and phosphatised steel wire \emptyset 1,8 mm (head / foot area) and \emptyset 2,0 mm (lower back area).

"COMFORT" MATTRESS (H20 cm)

"Individually Boxed" spring mattress that provides exceptional standard of comfort due to:

- Springs are independent and "individually boxed".
- Springs sections are divided into differentiated-support sections.

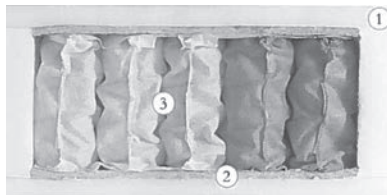
Springs made of hardened and phosphatised steel are \emptyset 2,0 mm in the centre part of the mattress, and \emptyset 1,8 mm for the head and feet zone.

This suggest that the weight of the body is perfectly distributed over the entire surface of the mattress, which adapts to the curves of the human body.

The "Individually Boxed" spring structure is covered with a "white sound-dampening needle punched" reinforcement felt, that has been completely upholstered by a PU foam sheet, CFC free, non-yellowing and medium density.

The covering feature is removable and the fabric treated with Sanitized® anti-mite system.

Mattress suitable for all bases, including those with movement and tilting up to 40°.



- 1- Polyurethane foam sheet, CFC free, non-yellowing, medium density.
- 2- Sound absorbent reinforced needle-punched felt.
- 3- Individually boxed springs in hardened and phosphatised steel wire \emptyset 1,8 mm (head / foot area) and \emptyset 2,0 mm (lower back area).

"COMFORT PLUS" MATTRESS (H25 cm)

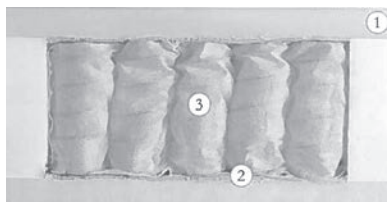
"Individually Boxed" spring mattress with a "Box System" combined to the structural cover made of Perforated MIND FOAM visco-elastic sheet in thermal sensitive material, that guarantee an excellent comfort whatever is the position.

The "Box System" structure provides springs made of hardened and phosphatised steel wire, \emptyset 1,8 mm and height 13 cm (830 springs in 170x200 cm).

Between the Boxed structure and the MIND FOAM sheet (h = 4 cm), there is a "White sound-dampening needle punched" reinforcement felt.

The covering feature is removable and the fabric treated with Sanitized® anti-mite system.

Mattress suitable for all bases, including those with movement and tilting up to 40°.



- 1- Perforated MIND FOAM visco-elastic sheet (H4 cm).
- 2- Sound absorbent reinforced needle-punched felt.
- 3- Individually packed springs with a "Box System" structure in steel wire \emptyset 1,8 mm (H13 cm).

"FORMA" MATTRESS (H18 cm)

Mattress made of a mono-bloc of an "ecological" product, called Waterlily™. The cellular structure of Waterlily™ enables the mattress to transpire, avoiding any retention of heat and humidity.

Depending on the person's weight, the most suitable Waterlily™ support could be calibrated, thereby obtaining a customised mattress. Consequently, always indicate the user's weight when buying the mattress.

The covering feature is removable and the fabric treated with Sanitized® anti-mite system.

Mattress suitable for all bases, including those with movement and tilting up to 40°.



1- Waterlily™ Monobloc (H16 cm)

TABELLA CARATTERISTICHE MATTRESSES

mattress	CLIMA	COMFORT	COMFORT PLUS	FORMA
removable		•	•	•
bonnell springs	•			
packed springs		•	•	
sanitized®	•	•	•	•
mind foam			•	
waterlily™				•



SANITIZED

Products made with Sanitized® fibres raising the live-comfort for allergy-sufferer and asthmatics. Sanitized® imparts a reliable effect against dust mite and a large number of bacteria and fungi. Due to the effectiveness of Sanitized®, dust mites and germs are deprived of their nutrients and can no longer proliferate. The used active substances of Sanitized® are tested for skin reaction according to the OCED-Guidelines and classified as a non-sensitiser. Sanitized® fibres do not contain TBT. So, these fibres are harmless for man. The active substances are incorporated (inside the fibre, like spun-dyes), no chemical treatment. So is fully washable and the effect is permanent.

MATTRESSES

MIND FOAM

This product was originally developed by NASA, at first for scientific requirements and subsequently used for mass production with high technological content. The manufacturing company, which is always attentive to the innovative uses of polyurethane, decided to produce this viscoelastic foam with the "SHAPING" process, which has slow memory and high density, ideal as support for seats and mattresses due to its conforming effect. The mattress made of mind foam is a newly developed product made of polyurethane foam with the particular deformability and slow return characteristics, with the resilience value close to zero, the foam perfectly assumes the shape of the body that must be supported in order to allow a customised rest according to the physical needs of each person. MIND FOAM for its characteristics, is particularly suitable as a product to prevent bedsores in the health sector.



WATERLILY™

Waterlily™ has a structure formed by tiny cells communicating with each other that allow air to pass freely through the mattress. Its breathable action disperses heat and humidity maintaining the ideal temperature, thus avoiding the proliferation of mites and the onset of allergies. Waterlily™ also has a beneficial effect for the skin that awakes fresh and rested after a good relaxing night. Laboratory tests have shown how Waterlily™ is a top of the range product, a material capable of providing all the best features required by the market in terms of breathability, comfort and durability.

UK MARKET

NB. Upon request we can offer the mattresses of the Millor H20 line suitable for the UK market. Please check for feasibility, prices and delivery times with our sales department.