



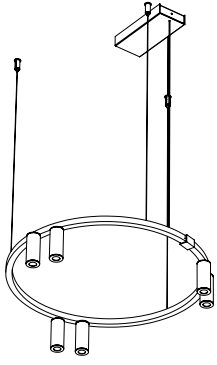
# TWINS

DESIGNED BY GLENN MARYS

**tossB**

**PRODUCT INFORMATION**

**TWINS 475 -S-**

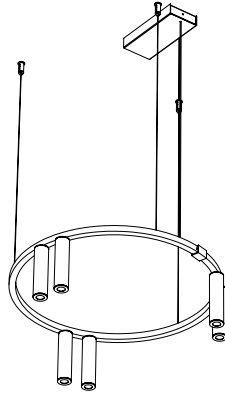


|              |                 |
|--------------|-----------------|
| LAMP TYPE    | LED             |
| COLOUR TEMP. | 2700K           |
| WATTAGE      | 6x4W            |
| VOLTAGE      | 230V            |
| LUMEN        | 6x400           |
| GEAR         | INCLUDED (DALI) |
| CLASS        | 1               |

**ORDER CODE**

|               |           |
|---------------|-----------|
| BLACK         | T110H1DZL |
| BRONZE        | T110H1DOE |
| BRUSHED BRASS | T110H1DLB |
| WHITE         | T110H1DWL |

**TWINS 475 -M-**

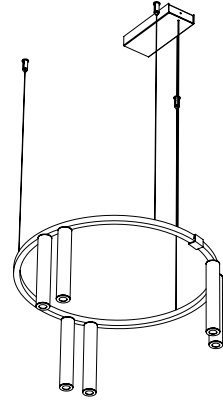


|              |                 |
|--------------|-----------------|
| LAMP TYPE    | LED             |
| COLOUR TEMP. | 2700K           |
| WATTAGE      | 6x4W            |
| VOLTAGE      | 230V            |
| LUMEN        | 6x400           |
| GEAR         | INCLUDED (DALI) |
| CLASS        | 1               |

**ORDER CODE**

|               |           |
|---------------|-----------|
| BLACK         | T110H4DZL |
| BRONZE        | T110H4DOE |
| BRUSHED BRASS | T110H4DLB |
| WHITE         | T110H4DWL |

**TWINS 475 -L-**

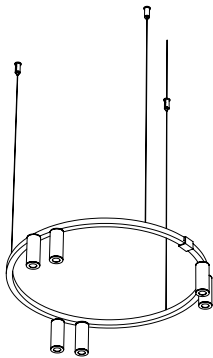


|              |                 |
|--------------|-----------------|
| LAMP TYPE    | LED             |
| COLOUR TEMP. | 2700K           |
| WATTAGE      | 6x4W            |
| VOLTAGE      | 230V            |
| LUMEN        | 6x400           |
| GEAR         | INCLUDED (DALI) |
| CLASS        | 1               |

**ORDER CODE**

|               |           |
|---------------|-----------|
| BLACK         | T110H7DZL |
| BRONZE        | T110H7DOE |
| BRUSHED BRASS | T110H7DLB |
| WHITE         | T110H7DWL |

**TWINS 475 -S- EXCL. DRIVER/BASE**

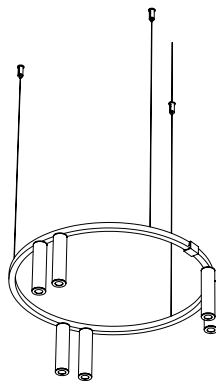


|              |               |
|--------------|---------------|
| LAMP TYPE    | LED           |
| COLOUR TEMP. | 2700K         |
| WATTAGE      | 6x4W          |
| VOLTAGE      | 67.8V - 350mA |
| LUMEN        | 6x400         |
| GEAR         | NOT INCLUDED  |
| CLASS        | 3             |

**ORDER CODE**

|               |            |
|---------------|------------|
| BLACK         | T110H10DZL |
| BRONZE        | T110H10DOE |
| BRUSHED BRASS | T110H10DLB |
| WHITE         | T110H10DWL |

**TWINS 475 -M- EXCL. DRIVER/BASE**

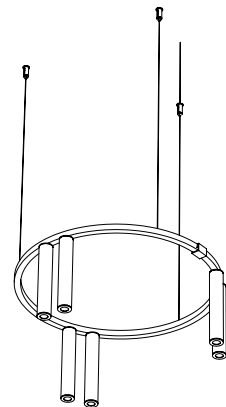


|              |               |
|--------------|---------------|
| LAMP TYPE    | LED           |
| COLOUR TEMP. | 2700K         |
| WATTAGE      | 6x4W          |
| VOLTAGE      | 67.8V - 350mA |
| LUMEN        | 6x400         |
| GEAR         | NOT INCLUDED  |
| CLASS        | 3             |

**ORDER CODE**

|               |            |
|---------------|------------|
| BLACK         | T110H11DZL |
| BRONZE        | T110H11DOE |
| BRUSHED BRASS | T110H11DLB |
| WHITE         | T110H11DWL |

**TWINS 475 -L- EXCL. DRIVER/BASE**

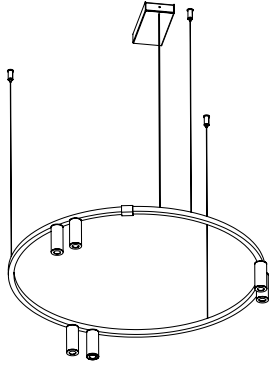


|              |               |
|--------------|---------------|
| LAMP TYPE    | LED           |
| COLOUR TEMP. | 2700K         |
| WATTAGE      | 6x4W          |
| VOLTAGE      | 67.8V - 350mA |
| LUMEN        | 6x400         |
| GEAR         | NOT INCLUDED  |
| CLASS        | 3             |

**ORDER CODE**

|               |            |
|---------------|------------|
| BLACK         | T110H12DZL |
| BRONZE        | T110H12DOE |
| BRUSHED BRASS | T110H12DLB |
| WHITE         | T110H12DWL |

**TWINS 675 -S-**

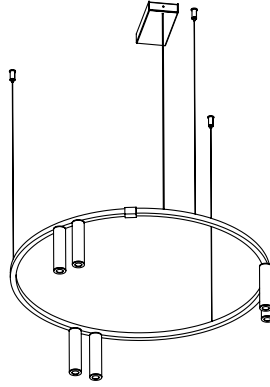


|              |                 |
|--------------|-----------------|
| LAMP TYPE    | LED             |
| COLOUR TEMP. | 2700K           |
| WATTAGE      | 6x4W            |
| VOLTAGE      | 230V            |
| LUMEN        | 6x400           |
| GEAR         | INCLUDED (DALI) |
| CLASS        | 1               |

**ORDER CODE**

|               |           |
|---------------|-----------|
| BLACK         | T110H2DZL |
| BRONZE        | T110H2DOE |
| BRUSHED BRASS | T110H2DLB |
| WHITE         | T110H2DWL |

**TWINS 675 -M-**

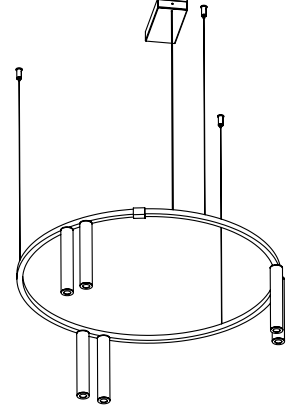


|              |                 |
|--------------|-----------------|
| LAMP TYPE    | LED             |
| COLOUR TEMP. | 2700K           |
| WATTAGE      | 6x4W            |
| VOLTAGE      | 230V            |
| LUMEN        | 6x400           |
| GEAR         | INCLUDED (DALI) |
| CLASS        | 1               |

**ORDER CODE**

|               |           |
|---------------|-----------|
| BLACK         | T110H5DZL |
| BRONZE        | T110H5DOE |
| BRUSHED BRASS | T110H5DLB |
| WHITE         | T110H5DWL |

**TWINS 675 -L-**

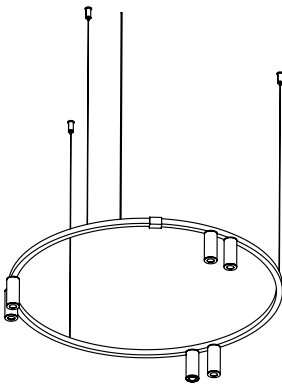


|              |                 |
|--------------|-----------------|
| LAMP TYPE    | LED             |
| COLOUR TEMP. | 2700K           |
| WATTAGE      | 6x4W            |
| VOLTAGE      | 230V            |
| LUMEN        | 6x400           |
| GEAR         | INCLUDED (DALI) |
| CLASS        | 1               |

**ORDER CODE**

|               |           |
|---------------|-----------|
| BLACK         | T110H8DZL |
| BRONZE        | T110H8DOE |
| BRUSHED BRASS | T110H8DLB |
| WHITE         | T110H8DWL |

**TWINS 675 -S- EXCL. DRIVER/BASE**

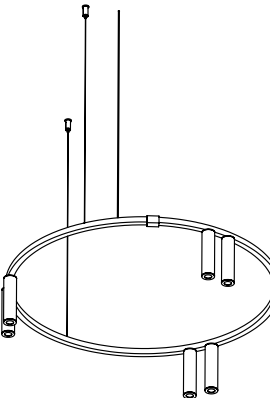


|              |               |
|--------------|---------------|
| LAMP TYPE    | LED           |
| COLOUR TEMP. | 2700K         |
| WATTAGE      | 6x4W          |
| VOLTAGE      | 67.8V - 350mA |
| LUMEN        | 6x400         |
| GEAR         | NOT INCLUDED  |
| CLASS        | 3             |

**ORDER CODE**

|               |            |
|---------------|------------|
| BLACK         | T110H13DZL |
| BRONZE        | T110H13DOE |
| BRUSHED BRASS | T110H13DLB |
| WHITE         | T110H13DWL |

**TWINS 675 -M- EXCL. DRIVER/BASE**

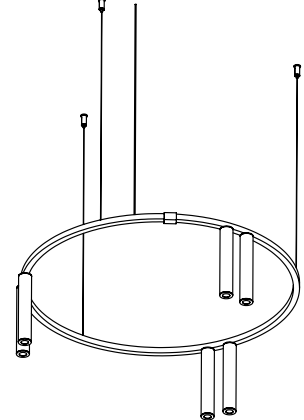


|              |               |
|--------------|---------------|
| LAMP TYPE    | LED           |
| COLOUR TEMP. | 2700K         |
| WATTAGE      | 6x4W          |
| VOLTAGE      | 67.8V - 350mA |
| LUMEN        | 6x400         |
| GEAR         | NOT INCLUDED  |
| CLASS        | 3             |

**ORDER CODE**

|               |            |
|---------------|------------|
| BLACK         | T110H14DZL |
| BRONZE        | T110H14DOE |
| BRUSHED BRASS | T110H14DLB |
| WHITE         | T110H14DWL |

**TWINS 675 -L- EXCL. DRIVER/BASE**

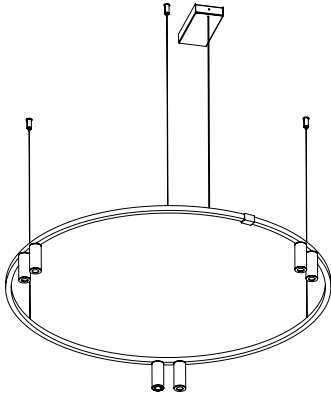


|              |               |
|--------------|---------------|
| LAMP TYPE    | LED           |
| COLOUR TEMP. | 2700K         |
| WATTAGE      | 6x4W          |
| VOLTAGE      | 67.8V - 350mA |
| LUMEN        | 6x400         |
| GEAR         | NOT INCLUDED  |
| CLASS        | 3             |

**ORDER CODE**

|               |            |
|---------------|------------|
| BLACK         | T110H15DZL |
| BRONZE        | T110H15DOE |
| BRUSHED BRASS | T110H15DLB |
| WHITE         | T110H15DWL |

**TWINS 875 -S-**

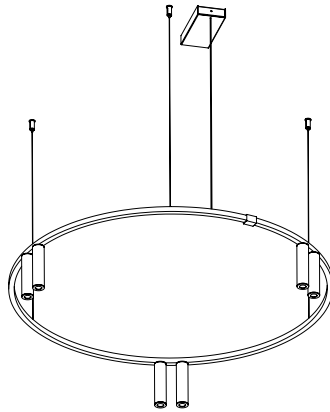


|              |                 |
|--------------|-----------------|
| LAMP TYPE    | LED             |
| COLOUR TEMP. | 2700K           |
| WATTAGE      | 6x4W            |
| VOLTAGE      | 230V            |
| LUMEN        | 6x400           |
| GEAR         | INCLUDED (DALI) |
| CLASS        | 1               |

**ORDER CODE**

|               |           |
|---------------|-----------|
| BLACK         | T110H3DZL |
| BRONZE        | T110H3DOE |
| BRUSHED BRASS | T110H3DLB |
| WHITE         | T110H3DWL |

**TWINS 875 -M-**

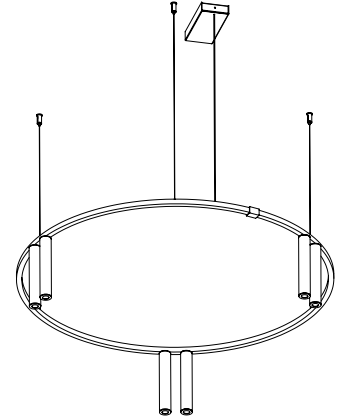


|              |                 |
|--------------|-----------------|
| LAMP TYPE    | LED             |
| COLOUR TEMP. | 2700K           |
| WATTAGE      | 6x4W            |
| VOLTAGE      | 230V            |
| LUMEN        | 6x400           |
| GEAR         | INCLUDED (DALI) |
| CLASS        | 1               |

**ORDER CODE**

|               |           |
|---------------|-----------|
| BLACK         | T110H6DZL |
| BRONZE        | T110H6DOE |
| BRUSHED BRASS | T110H6DLB |
| WHITE         | T110H6DWL |

**TWINS 875 -L-**

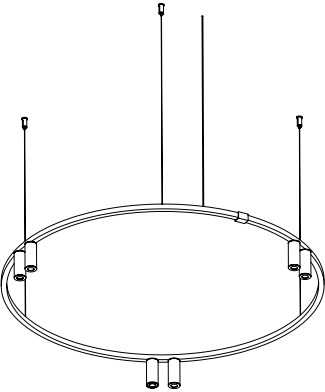


|              |                 |
|--------------|-----------------|
| LAMP TYPE    | LED             |
| COLOUR TEMP. | 2700K           |
| WATTAGE      | 6x4W            |
| VOLTAGE      | 230V            |
| LUMEN        | 6x400           |
| GEAR         | INCLUDED (DALI) |
| CLASS        | 1               |

**ORDER CODE**

|               |           |
|---------------|-----------|
| BLACK         | T110H9DZL |
| BRONZE        | T110H9DOE |
| BRUSHED BRASS | T110H9DLB |
| WHITE         | T110H9DWL |

**TWINS 875 -S- EXCL. DRIVER/BASE**

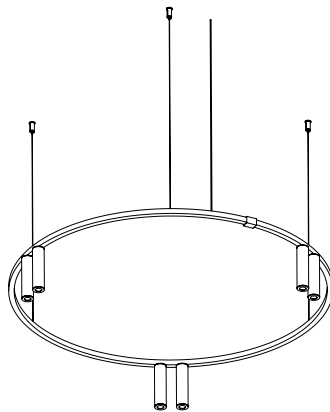


|              |               |
|--------------|---------------|
| LAMP TYPE    | LED           |
| COLOUR TEMP. | 2700K         |
| WATTAGE      | 6x4W          |
| VOLTAGE      | 67.8V - 350mA |
| LUMEN        | 6x400         |
| GEAR         | NOT INCLUDED  |
| CLASS        | 3             |

**ORDER CODE**

|               |            |
|---------------|------------|
| BLACK         | T110H16DZL |
| BRONZE        | T110H16DOE |
| BRUSHED BRASS | T110H16DLB |
| WHITE         | T110H16DWL |

**TWINS 875 -M- EXCL. DRIVER/BASE**

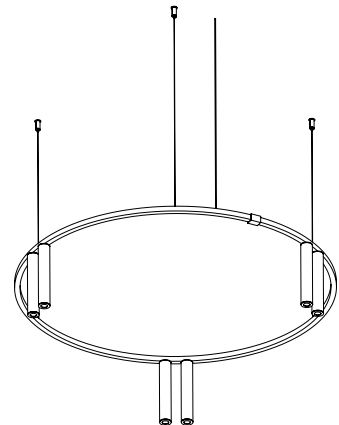


|              |               |
|--------------|---------------|
| LAMP TYPE    | LED           |
| COLOUR TEMP. | 2700K         |
| WATTAGE      | 6x4W          |
| VOLTAGE      | 67.8V - 350mA |
| LUMEN        | 6x400         |
| GEAR         | NOT INCLUDED  |
| CLASS        | 3             |

**ORDER CODE**

|               |            |
|---------------|------------|
| BLACK         | T110H17DZL |
| BRONZE        | T110H17DOE |
| BRUSHED BRASS | T110H17DLB |
| WHITE         | T110H17DWL |

**TWINS 875 -L- EXCL. DRIVER/BASE**

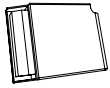


|              |               |
|--------------|---------------|
| LAMP TYPE    | LED           |
| COLOUR TEMP. | 2700K         |
| WATTAGE      | 6x4W          |
| VOLTAGE      | 67.8V - 350mA |
| LUMEN        | 6x400         |
| GEAR         | NOT INCLUDED  |
| CLASS        | 3             |

**ORDER CODE**

|               |            |
|---------------|------------|
| BLACK         | T110H18DZL |
| BRONZE        | T110H18DOE |
| BRUSHED BRASS | T110H18DLB |
| WHITE         | T110H18DWL |

## DRIVERS



### ORDER CODE DALI

|            |         |
|------------|---------|
| 120x75xh25 | TMW0009 |
|------------|---------|

### ORDER CODE TRIAC

|            |       |
|------------|-------|
| 144x60xh32 | MW40T |
|------------|-------|

## CEILING BASE SB 5,5



### ORDER CODE

|               |        |
|---------------|--------|
| BLACK         | TP55ZL |
| BRONZE        | TP55OE |
| BRUSHED BRASS | TP55LB |
| WHITE         | TP55WL |

## CEILING PLATE C1B 5,5



### ORDER CODE

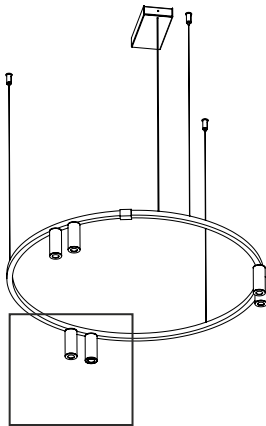
|               |         |
|---------------|---------|
| BLACK         | TP9BBZL |
| BRONZE        | TP9BBOE |
| BRUSHED BRASS | TP9BBLB |
| WHITE         | TP9BBWL |

## CABLE GUIDE

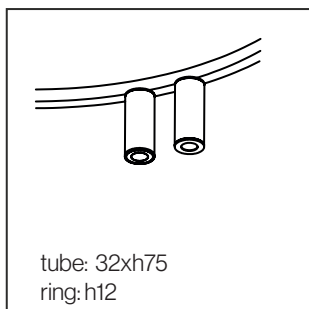


### ORDER CODE

|               |        |
|---------------|--------|
| BLACK         | TP39ZL |
| BRUSHED BRASS | TP39LB |
| WHITE         | TP39WL |

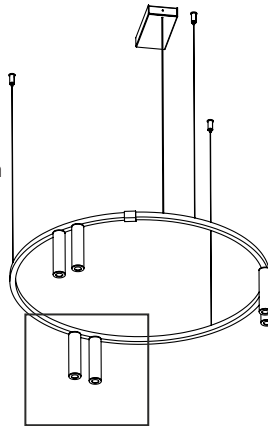


475 mm  
675 mm  
875 mm

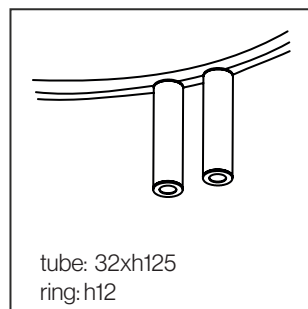


tube: 32xh75  
ring: h12

cable:  
2500 mm

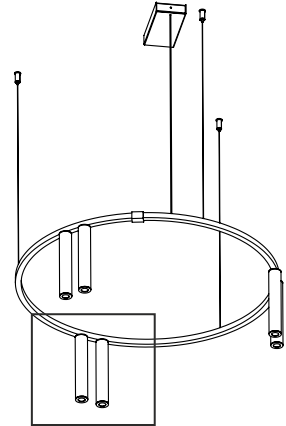


475 mm  
675 mm  
875 mm

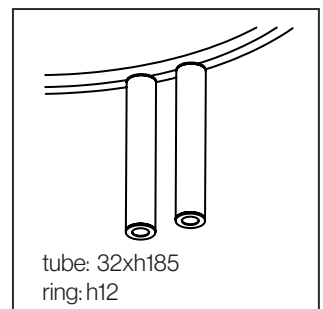


tube: 32xh125  
ring: h12

180x75xh25



475 mm  
675 mm  
875 mm



tube: 32xh185  
ring: h12

**tossB**