

SIENA

Simone Bonanni
2018



Simple shapes and patterns set the Siena chair apart from other chairs.

A small padded armchair with generous dimensions and a soft, reassuring silhouette. The excess fabric confers a sense of movement to the surface and highlights the sense of comfort and conviviality.

Given its look, volumes and ergonomics, this product is timeless and adapts perfectly to new scenarios.

The piece has unique details, which simply mark the high-quality construction and craftsmanship: the double seam on the backrest highlights shape and tension; The comb joints connect the legs to the wood bases, enhancing the care and manual expertise of solid-wood working; An elliptical steel tubing inclined to 45°, a synonym of technical expertise and advanced production.

Shell

Load-bearing shell made of Baydur® (compact techno-polymer for moulding) over-moulded with polyurethane foam rubbers; Seat in metal tubing covered in polyurethane foam rubber. Polyester wadding.

NB: considering the construction of the product, outdoor use is not recommended.

Bases:

- **four ashwood legs:** solid natural ashwood frame painted with transparent staining, available in natural, brown or bleached finish
 - **four metal legs:** frame in elliptical steel tubing, powder coated in the finishes matt white, bronze and black nickel.
- rocker:** frame in elliptical steel tubing, powder coated in matt white, bronze and black nickel finish. Rocker bases in natural solid ashwood, painted with transparent staining, available in natural, brown or bleached finish.

All variants of Siena are not stackable.

Upholstery

Padded small armchairs can be covered in fabric or leather.

Possibility of seat with removable cover with surcharge.

To select a suitable fabric for each product, please refer to the technical section at the end of the price list or to the product sheets available in the website.

With customer's own leather, in order that the product is properly manufactured, the leather piece must be larger than 5 sqm and with no defects, such as scars or holes.

Customer's fabric: feasibility, prices and delivery times are to be agreed and verified with the sales department.

FLAME RETARDANT PADDING

Norms 1IM, California TB 117-2013 and BS are available upon request with a surcharge as of +5%. Feasibility, costs and delivery times to be verified with our Sales Dept.

NB: the use of flame retardant polyurethanes and interliner can give a different result from the standard.

For the choice of the upholstery and its feasibility according to any norms, please refer to the technical section at the end of the price list.

Ref. regulations ISO and UNI EN, please refer to the technical section at the end of the price list.

FRAME

MATT PAINT FINISH

S007 = white X053

S068 = bronze X100

S069 = black nickel X101

FRAME: ASHWOOD FINISH*

*for color options, refer to oak samples X030, X075, X076

S076 = natural

S077 = bleached

S078 = brown

VIDEO



CONFIGURATOR

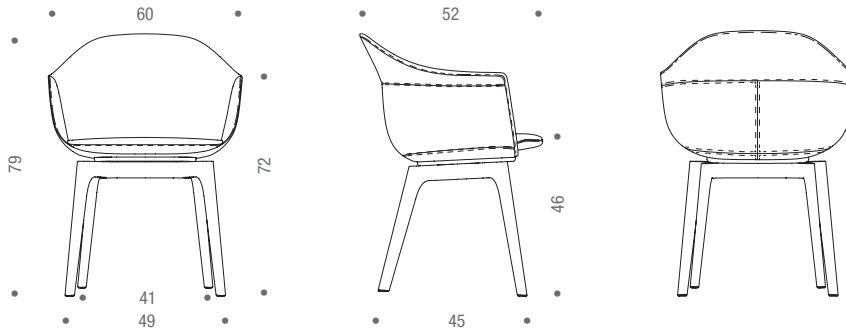


FOR INFO SEE TECHNICAL SECT.

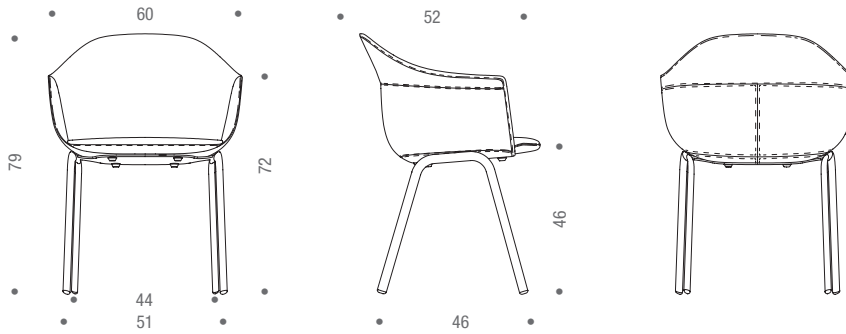
SIENA

VERSION

four ashwood legs



four metal legs



rocker

