

967ARCH  
2017-2019

Selected for  
Compasso d'Oro  
ADI 2020



This new office system features a linear iconic design typical of MDF Italia's "dna".

A reflection on the desk, the archetypal workstation, proposes to create an office atmosphere in a contemporary key. The contrast between full and empty volumes, the carefully studied combination of various finishes and the cables built into the bearing frame define a renewed proposal for office furnishings.

The technical challenge starts from the use of a slender frame generated by a 20x20 profile, a feature that perfectly merges with MDF Italia's other table and storage collections.

The collection 20.VENTI includes both individual tables and double workstations, which can be aggregated, and a wide selection of screens and accessories.

An intentionally iconic system that renounces unidentifiable stylistic solutions. Basic minimal style that enhances both design and function. Designed by 967Arch for MDF Italia to offer an extensive choice of dimensions and finishes for working areas, management offices and residential settings where tables for nomadic technological work are becoming a common trait.

#### Sizes and types:

Rectangular table system available in different versions and types:

- **Single desk:** table depth 90 cm, length 160, 180 and 200 cm, height 75 cm and adjustable aluminium foot with range of +/- 1 cm.
- **Workstation two users:** table depth 160 cm, lengths 160 and 180 cm; height 75 cm and adjustable aluminium foot with range of +/- 1 cm.
- **Workstation four users:** table depth 160 cm, lengths 320 or 360 cm; height 75 cm and adjustable aluminium foot with range of +/- 1 cm.
- **FLEX workstation:** table depth 160 cm, in sizes that can be customised as required by using terminal or intermediate modules in the lengths 160 or 180 cm; height 75 cm and adjustable aluminium foot with range of +/- 1 cm.

- **HIGH workstation:** table depth 100 cm, lengths 160, 180 and 200 cm; height 110 cm and adjustable aluminium foot with range of +/- 1 cm.

The single desk, the workstation two and four users and the workstation FLEX have a structural wireway that can be accessed by sliding the top. It can be used for electrification and cables, or simply as a small storage compartment for everyday items.

Top slides on linear self-lubricating guides; wireway sleeve with polypropylene insert, in black for all colour options of the tops.

The HIGH workstation has a structural wireway that can be accessed via a central cable management opening, made of epoxy painted aluminium in the colours white or graphite grey (matching the colour of the table legs) with flap and cable access gasket.

#### Frame

Steel frame and legs, section 20x20 mm, painted with epoxy powder in the matt colours white and graphite grey.

Structural wireway made of medium density fibreboard two-tone surfaced panels, thickness 2cm, with the outside in matt colours white or graphite grey, and the inside always in medium grey.

Tops are made of medium density fibreboard panels covered with Fenix NTM laminate in the matt colours white, light grey, medium grey and black.

**NB: Fenix NTM top in the colours pale grey and medium grey certified in compliance with standard UNI EN13772 and UNI EN 13721.**

#### TOP FINISHES

P077 = Fenix, matt white X020\*

P110 = Fenix, matt light grey\*

P079 = Fenix, matt medium grey X021\*

P080 = Fenix, matt black X022\*

#### FRAME AND ACCESSORIES FINISHES

S007 = matt painted white X053

S041 = matt painted graphite grey X054

#### OPEN COMPARTMENTS FINISHES

F008 = matt lacquered white X042

F043 = matt lacquered orange X047

F046 = matt lacquered green X049

F052 = matt lacquered avio blue X050

F053 = matt lacquered mustard yellow X048

F054 = matt lacquered dark red X046

#### \*NB: Colour reference of the supplier Arpa:

Fenix matt white X020 = 0029 Bianco Malè

Fenix matt light grey = 0725 Grigio efeso

Fenix matt med. grey X021 = 0718 Grigio Londra

Fenix matt black X022 = 0720 Nero Ingo

# 20.VENTI

## Accessory workstation elements

A wide range of accessories is available upon request.

- **OPEN COMPARTMENT:** inserted on the side of the frame, simply placed and available for the single and double version with front seats; produced in medium density fibreboard, thickness 8mm, available micro goffered lacquered in the colours white, orange, green, avio blue, mustard yellow and dark red.

Open compartment for the single version in the nominal sizes L11, D33 and H32 cm; open compartment for the double version with front seats in the nominal sizes L29, D33 and H32 cm.

- **SOUND-ABSORPTION SCREEN:** panel with variable density internal padding patented by Snowsound Technology, external polyester fabric cover Trevira CS white and light grey. Available in H44 cm and length 159 and 179 cm. Provided with a pair of zamak joints to secure them to the top, painted with epoxy powder in the matt colours white and graphite grey.

- **PC STAND WITH CASTORS:** made of sheet steel painted with epoxy powders in the matt colours white and graphite grey, with castors, in the sizes L24.5, D57.5 and H58 cm.

- **WIREWAY SLEEVE:** made of flexible, transparent polycarbonate, designed to hold PC and electronic device cables. Secure directly to the structural wireway. Steel base painted with silver epoxy powder, 16.5 cm.

- **STATIONARY AND DOCUMENT HOLDER:** made of sheet steel painted with epoxy powders in the matt colours white and graphite grey, available in 2-piece kits, and divided into following options:

- Pen holder: L25, D12 and H6 cm
- Bookends: L21, D13 and H21 cm
- Horizontal document holder: L32.5, D25.8 and H5.5 cm
- Vertical document holder: L9.2, D23.7 and H27.5 cm

**Note:** additional colours (among those listed) available for a minimum of 20 sets (40 pieces)

Colour list: orange RAL 2008 - green RAL 6013 - turtledove grey RAL 7044 - red RAL 3005 - aluminium RAL 9006 - blue/light blue RAL 5024 - yellow RAL 102

## BY PROJECT

Available by project, partition with steel cables and two accessories for the structural wireway: the valet tray shelf and laptop or tablet bag (for min. 20 pieces).

## - OFFICE CABINETS

Drawer pedestal created in order to meet top quality and safety requirements. In conformity with DIN and GS safety standards.

Two types are available:

- 3 drawer chest of drawers with lock, complete with stationery drawer, with wheels and anti-tilt system

- 1 drawer chest of drawer and 1 filing unit with lock, complete with stationery drawer, with wheels and anti-tilt system.

Both types are available either in white, graphite grey or medium grey, with the same colour inside the drawers.

Wheels are hidden and pirouetting, the anti-tilt ballast is in cement.

Roller bearing slides 80% extension. Selective closing system.

## - OFFICE CABINETS BASIC

EN, UNI e NF Environment certified chest of drawers.

Available in the version with 3 drawer chest of drawers with lock, complete with stationery tray, with wheels and anti-tilt system.

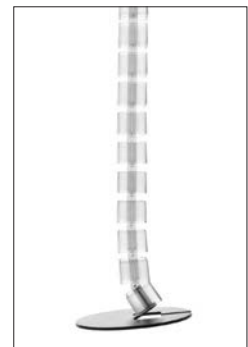
Available in the colours white, graphite grey and medium grey, matt black inside drawers in all colour variants.



Sound-absorption screen  
And open compartment



Pc stand with castors



Wireway sleeve



Stationary and document holder: pen holder, bookends, document holder



## ACCESSORIES BY PROJECT



Partition with steel cables

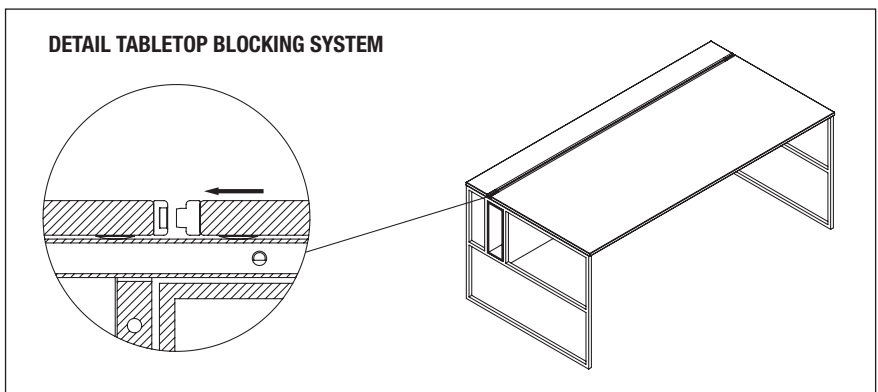
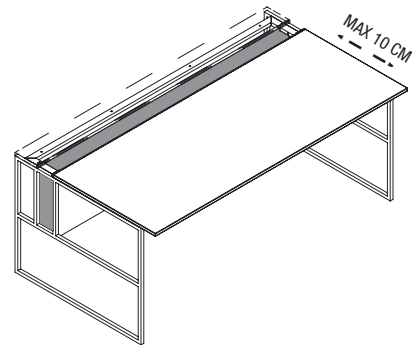
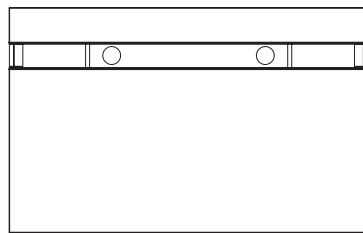
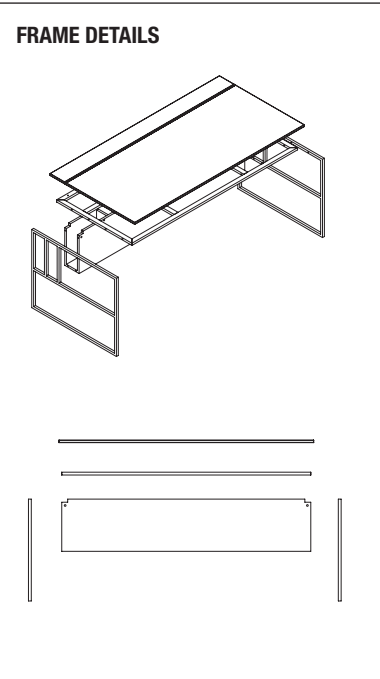
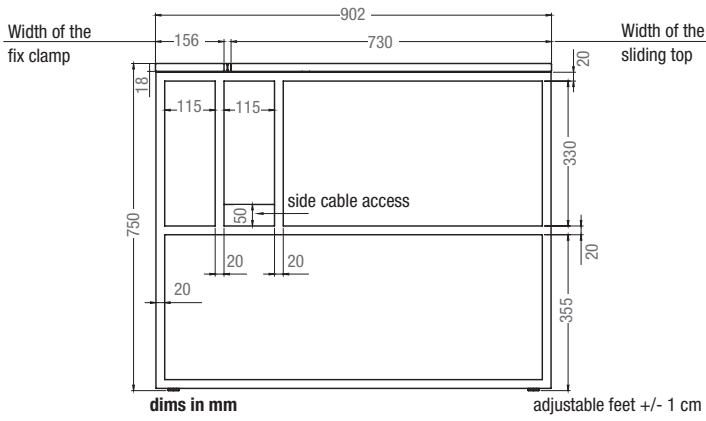
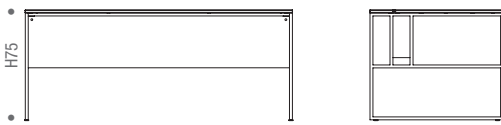
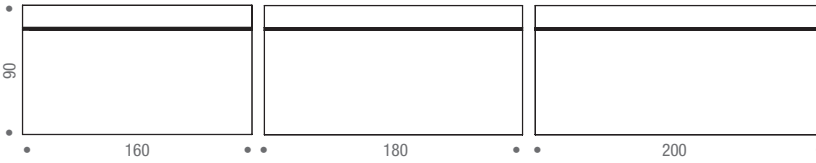
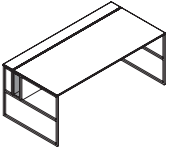


laptop or tablet bag



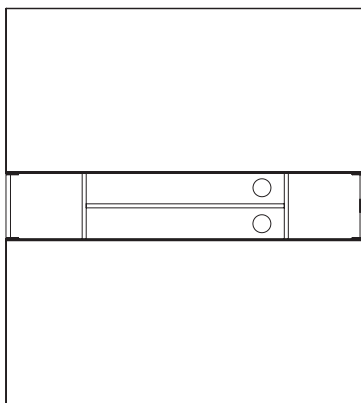
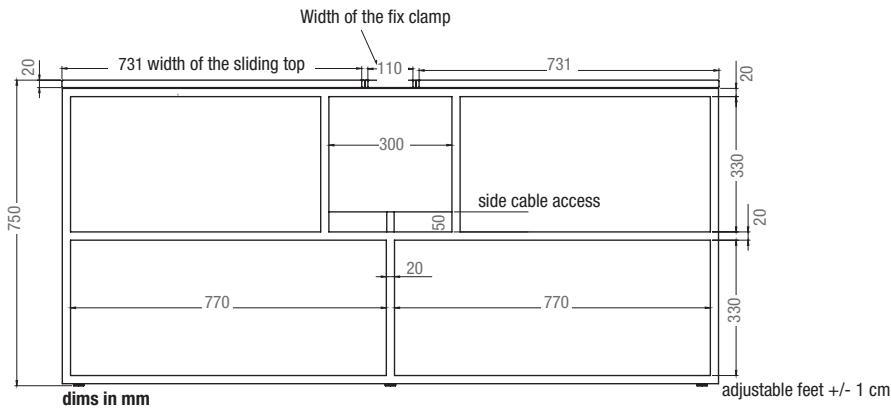
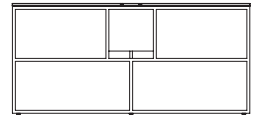
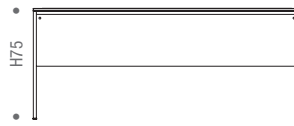
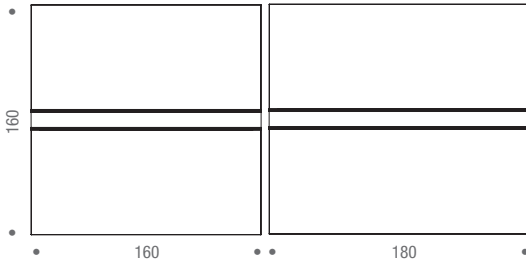
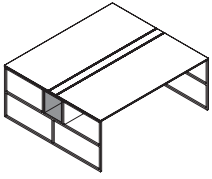
valet tray shelf

## SINGLE DESK

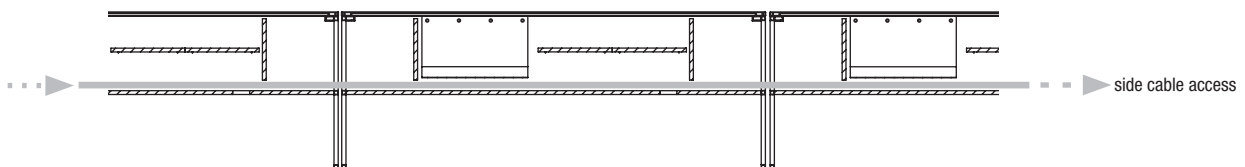
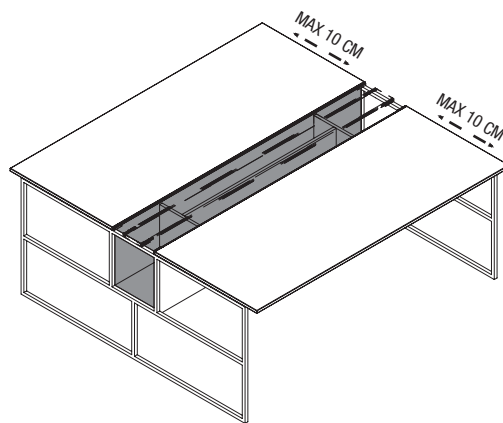


# 20.VENTI

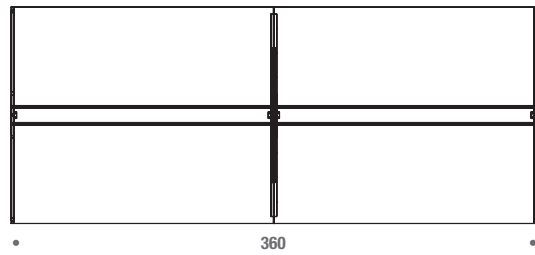
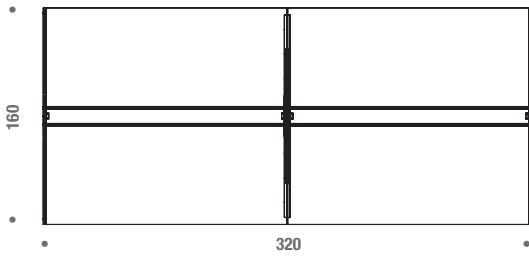
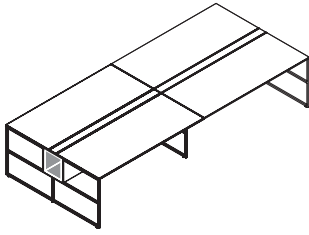
## WORKSTATION 2 USERS



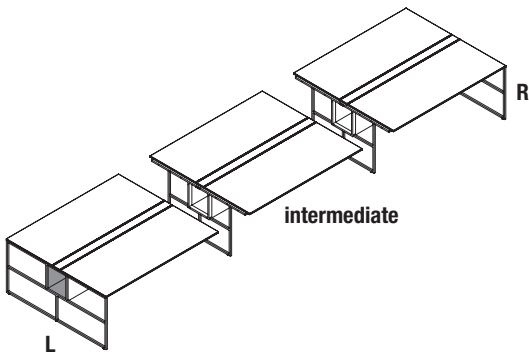
cabinet internal view



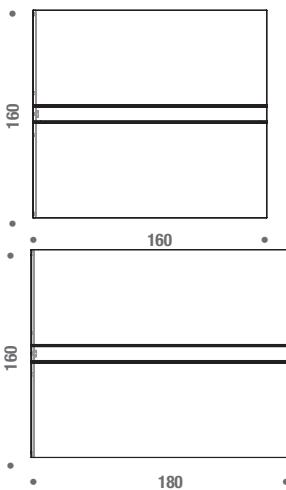
## WORKSTATION 4 USERS



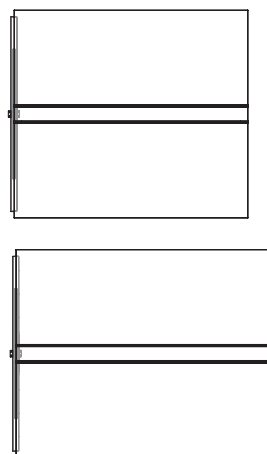
## WORKSTATION FLEX



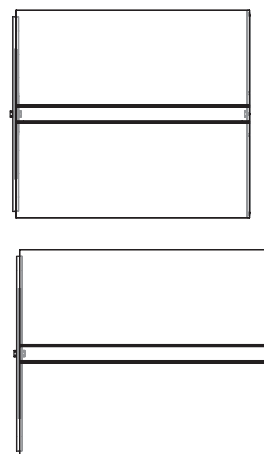
**L terminal module**



**intermediate module**

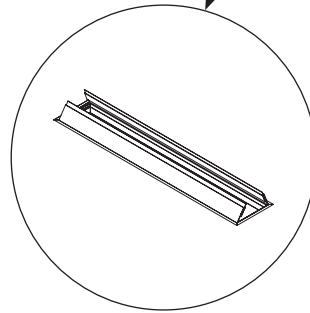
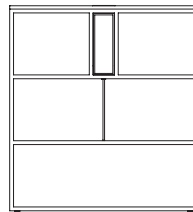
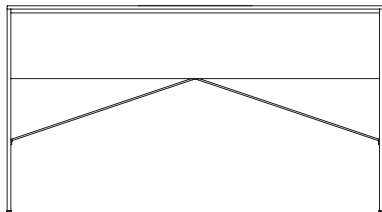
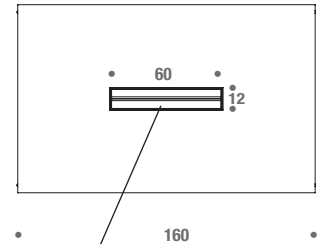
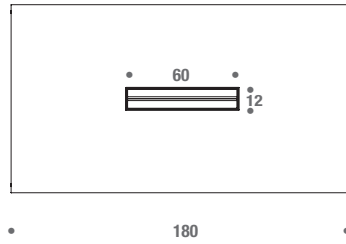
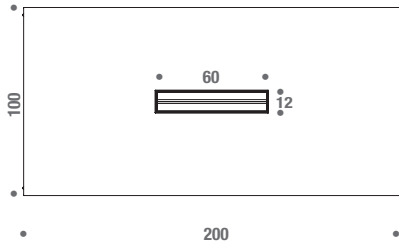
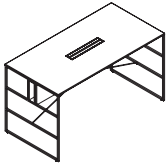


**R terminal module**

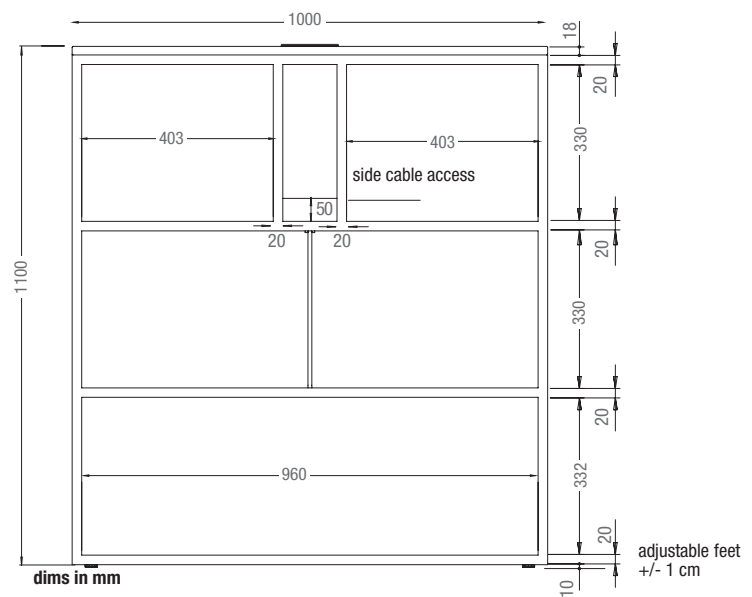
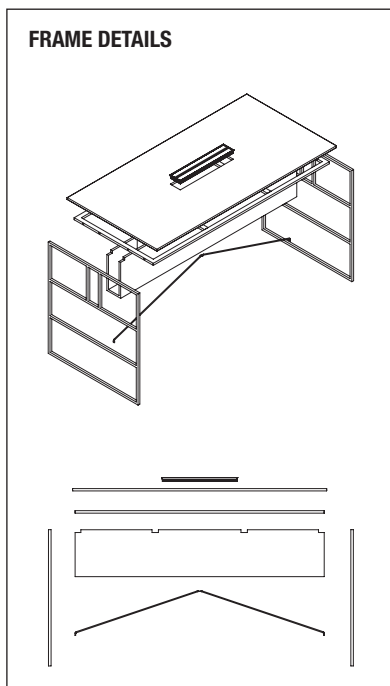


# 20.VENTI

## HIGH WORKSTATION

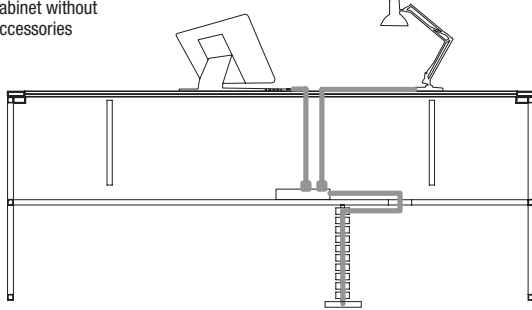


### FRAME DETAILS

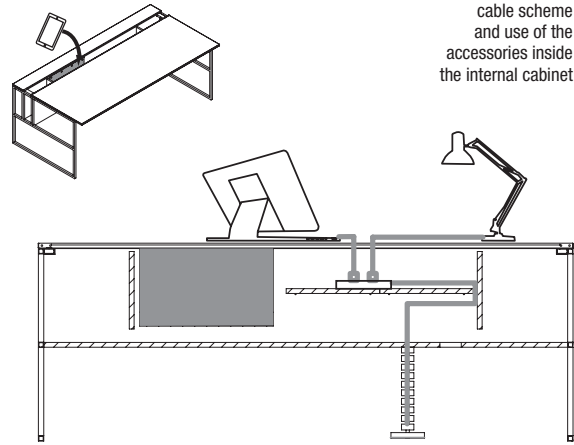


## HOW TO USE THE ACCESSORIES

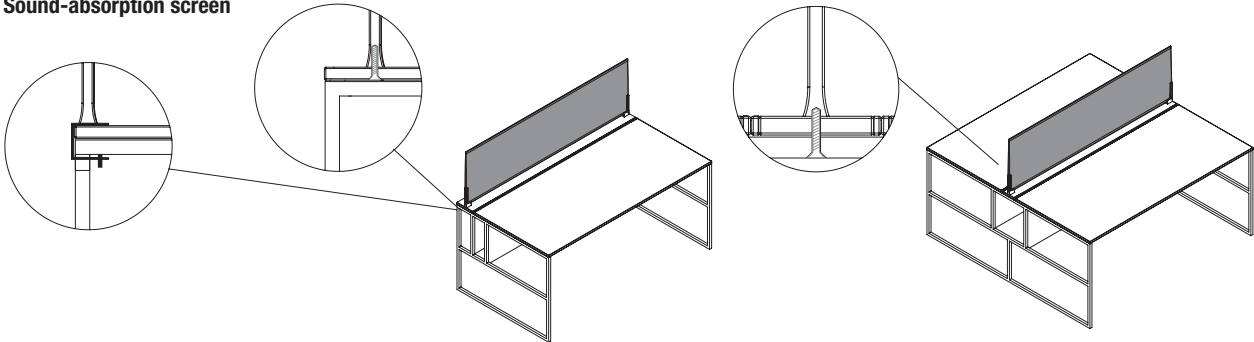
cable scheme and use of the internal cabinet without accessories



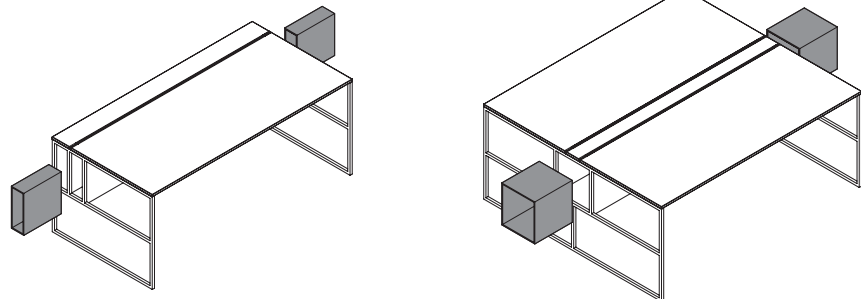
cable scheme and use of the accessories inside the internal cabinet



## Sound-absorption screen



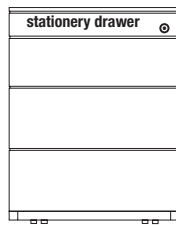
## Open compartment



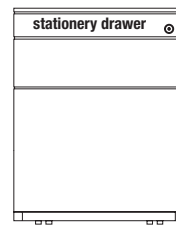
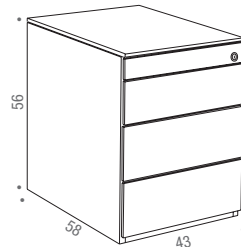
## OFFICE CABINETS



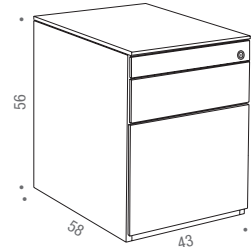
stationery drawer



THREE DRAWERS + stationery drawer



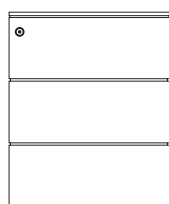
DRAWER + FILING UNIT + stationery drawer



## OFFICE CABINETS BASIC



stationery tray



THREE DRAWERS

