

MAYBE LITTLE ERROR BECAUSE OF MANUAL MEASURE

MODEL	HANDLE	LENGHT (M)	TOP DIAMETER (MM)	BUTTON DIAMETER (MM)	FOLDED LENGTH (CM)	SECTION	WEIGHT (G)
TTS-602UL	SPINNING	1.8	1.3	6.2	93	2	82
TTS-632UL	SPINNING	1.9	1.3	6.5	98	2	86
TTC-602UL	CASTING	1.8	1.3	6.2	93	2	100
TTC-632UL	CASTING	1.9	1.3	6.5	98	2	105
TTS-642UL	SPINNING	1.92	1.3	7.5	99	2	65



TTC602UL/TTS632UL



TTS642UL

CASTING MODEL

Teton



TTC-602UL/632UL 29cm

SPINNING MODEL

Teton



TTS-602UL/632UL 29cm

1.8m *Teton* TTC-602UL 6'0" Lure: 1-4g Line: 2-4lb
 Medium Action; 1.8meters; Ul ultralight
 TTC-602UL; 6'0" Lure:1-4g Line:2-4lb

1.9m *Teton* TTC-632UL 6'3" Lure: 1-4g Line: 2-4lb
 Medium Action; 1.9meters; Ul ultralight
 TTC-632UL; 6'3" Lure:1-4g Line:2-4lb

1.8m *Teton* TTS-602UL 6'0" Lure: 1-4g Line: 2-4lb
 Medium Action; 1.8meters; Ul ultralight
 TTS-602UL; 6'0" Lure:1-4g Line:2-4lb

1.9m *Teton* TTS-632UL 6'3" Lure: 1-4g Line: 2-4lb
 Medium Action; 1.9meters; Ul ultralight
 TTS-632UL; 6'3" Lure:1-4g Line:2-4lb

UL TEST 0.5KG



UL TEST 1 KG



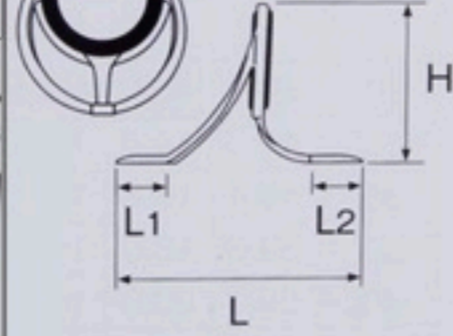
KUYING

Specifications

CASTING MODEL RINGS & REEL SEAT

LN OG

Drawing-pressed frame
深絞りフレーム



	H mm	L1 mm	L2 mm	L mm
6	8.5	4.5	3.5	16.0
7	10.0	4.5	4.0	19.0
8	12.0	4.5	4.0	20.0
10	14.5	6.7	5.0	23.0
12	17.5	6.9	5.0	25.0
16	23.0	8.0	7.0	31.0

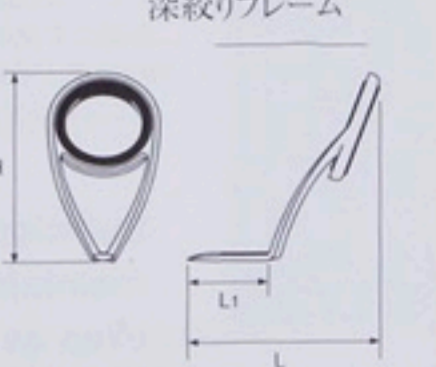


FUJI LN Guide Rings

SPINNING MODEL RINGS & REEL SEAT

KL AG

Drawing-pressed frame
深絞りフレーム



BEAD FRAME STRUCTURE
Inside of bridge is pressed concavely for further strength. Available on all T-KLSG and T-KLAG.

ビードフレーム構造
T-KLSGとT-KLAGは、フレーム強化のため、ブリッジを凹状にラウンド加工してあります。

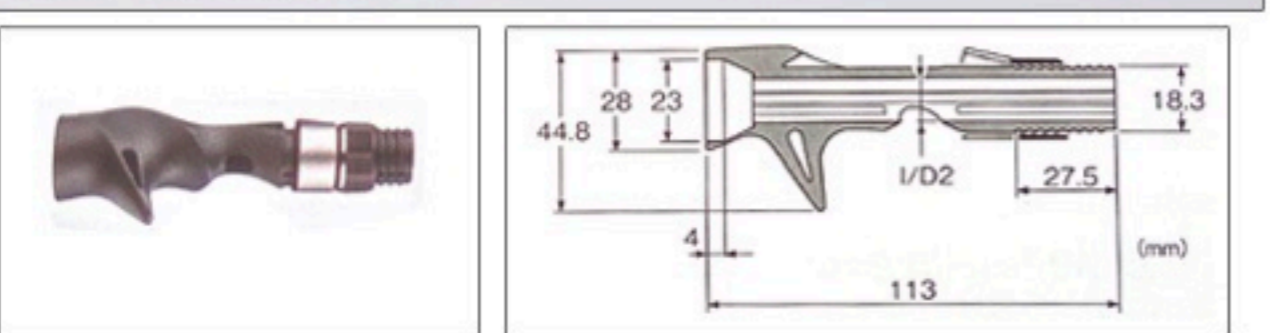
	H mm	L1 mm	L mm
12	19.7	12.2	23.6
16	26.2	14.0	28.3
20	33.5	16.0	35.0
25	44.0	19.0	42.9
30	60.5	20.5	53.8



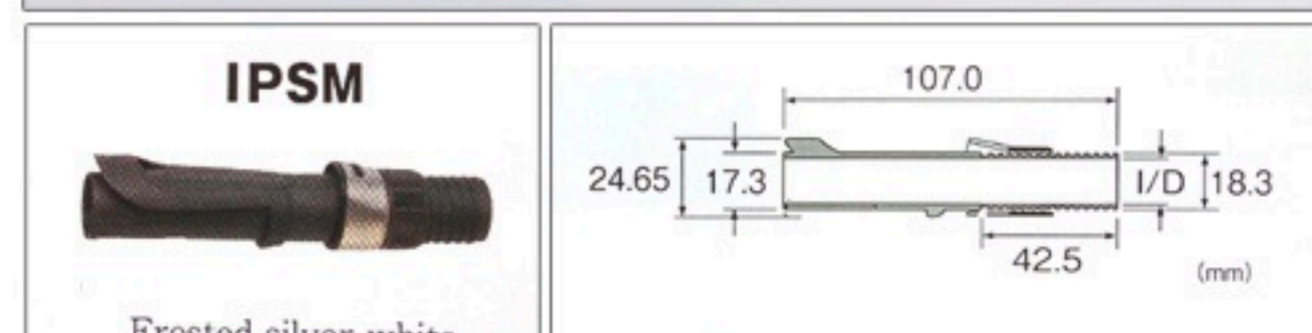
FUJI KL Guide Rings



FUJI ACS REAL SEAT



FUJI IPS REAL SEAT



IPSM



Frosted silver white