

PS800

Heavy Duty 12V Booster Pack



The ultimate 12V starting solution for repetitive starts on even the heaviest 12V vehicles.

1 CABLES & CLAMPS
35mm² welding grade cables with fully insulated cable clamps

2 DOUBLE SKINNED CASE
For increased durability

3 MAIN SWITCH
Key operated main switch

POLARITY WARNING
Audible reverse polarity warning buzzer

SPIKE PROTECTION
Prevents damage to onboard circuitry when jump-starting

DESIGNED & MANUFACTURED IN THE UK

2 YEAR WARRANTY
With full in-house after sales service



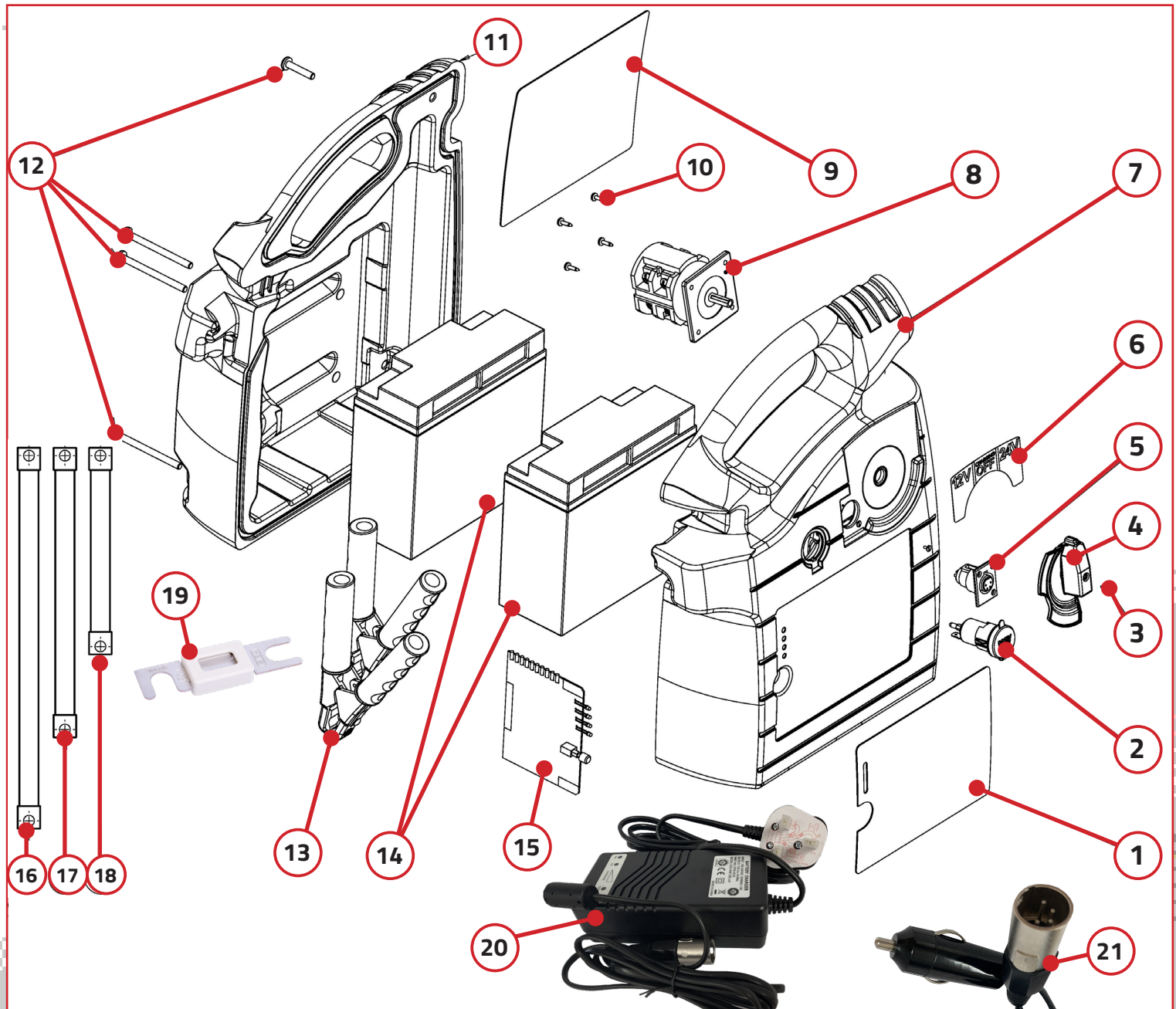
TECHNICAL SPECIFICATION

Battery	2 x 22Ah
Voltage	12V DC
Cranking Amps*	1020A
Peak Amps**	2040A
Safety fuse	350A
Weight (kg)	17.5

FULL RANGE AVAILABLE



* The maximum current that can be drawn from a battery during cranking for a specified period of time, at a specified temperature & to a specified end of discharge voltage.
** The absolute peak instantaneous current measured during a discharge into the equivalent of a short circuit.



NO.	PART NO.	DESCRIPTION
1	7500-0115	Powerstart Front Housing Label
2	K205-C210	Powerstart 12V Cigar Socket
3	N/A	Powerstart Key Screw
4	7450-0008	Powerstart Switch Knob
5	K205-L034	Powerstart 4-Pole XLR Charge Socket
6	7500-0120	Powerstart Switch Label
7	*	Powerstart Housing Front
8	7450-0007	Powerstart Switch
9	7500-0117	Powerstart Rear Housing Label
10	N/A	Powerstart Switch Screws
11	*	Powerstart Housing Rear
7 & 11	7254-0022	Powerstart Front & Rear Housing Set
12	N/A	Powerstart Main Case Bolts

NO.	PART NO.	DESCRIPTION
13a	K212-C103	Powerstart Positive (Red) Clamp
13b	K212-C104	Powerstart Negative (Black) Clamp
14	7066-0001	Powerstart 12V 22Ah B.B Battery
15	7850-0003	Powerstart Printed Circuit Board (PCB)
16	N/A	Powerstart Braid 220mm 25SQmm ²
17	7301-0007	Powerstart Braid 165mm 16SQmm ²
18	N/A	Powerstart Braid 115mm 16Smm ²
19	5453-0001	Powerstart 425A Ceramic Fuse (to replace original 350A fuse)
*	7301-0010	Powerstart Fuse Braid
*	0207-0070	Powerstart Fuse Braid M6 - M8
*	K703-K700-BOM	Powerstart 1.7m Lead & Clamp Assembly
20	7700-0018(UK)	Powerstart 12V 4Ah 3 Stage Charger
21	K703-K701	Powerstart 12V Cigar to XLR Charge Lead

PLEASE NOTE PARTS HIGHLIGHTED IN GREY SHOULD ONLY BE FITTED BY AN AUTHORISED OR QUALIFIED SERVICE AGENT, FITTING OF SUCH PARTS BY ANYONE OTHER THAN THE SERENCO SERVICE CENTRE MAY INVALIDATE YOUR WARRANTY. SERENCO (UK) LTD OFFER A FULL IN-HOUSE AFTER SALES SERVICE. PRICES QUOTED ARE CORRECT AT TIME OF GOING TO PRESS AND ARE SUBJECT TO VAT AND CARRIAGE.