



EDGE FREE® CLR® 2 Series

Ceiling Light Rejecting Fixed Frame Screen

USER'S GUIDE – V1.1

Product Description:

The **EDGE FREE® CLR® 2 Series** is a fixed frame projection screen that uses Akia's **EDGE FREE®** technology. The **EDGE FREE®** design resembles a giant size flat panel TV display. The screen includes a bezel trim to further enhance the frame appearance and absorb projector overshoot. An optional LED kit is available for backlighting. The screen material included is our **ISF Certified CLR® 2** (Ceiling Light Rejecting) which is a front projection material designed for ultra and short throw projectors, precisely formulated for environments with minimal control of overhead room lighting. Its multi-layer structure *enhances picture brightness, maintain color purity, and improves contrast levels* in ambient light room environments. The **CLR® 2** is best for family rooms, educational facilities, conference rooms, house of worship or any applications in which incident light is a factor.

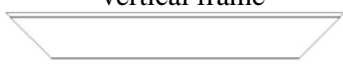



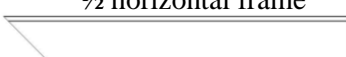

Screen Maintenance

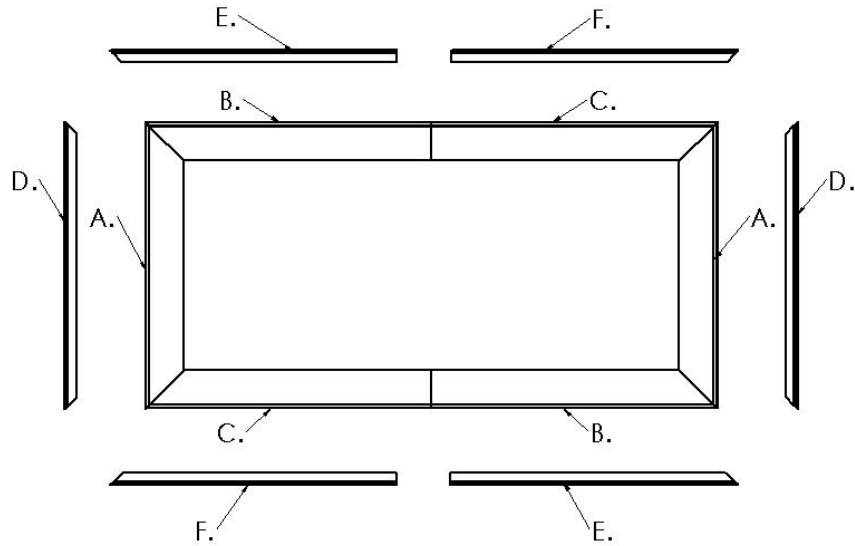
Dust, dirt and scratches on the projection screen surface will affect the quality and performance of the projection image. For optimal results we advise to pay attention to the following instructions.

- 1) Use a dry microfiber cloth or soft brush to remove dust from the screen's surface.
- 2) When cleaning, use a damp microfiber cloth with warm water to remove any marks.
- 3) Never rub or apply pressure when cleaning the surface
- 4) The screen material has a scratch-resistant layer to protect the material through many years of use.

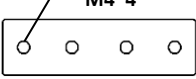
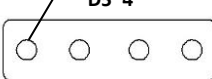
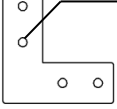
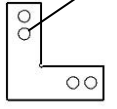
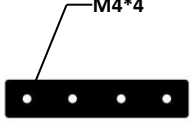













Notes: *The following precautions should always be followed to avoid damaging the material, which is not covered under warranty.*

- Don't **touch** the screen material with your bare hands to avoid leaving oil residue from fingertips.
Use gloves when handling the material.
- Don't **point** to the screen material with a fingertip or other sharp objects to prevent damage to the material.
- Don't **use** acetone, benzene, alcohol and any other organic solvents to clean the screen material.
Using such chemicals will permanently damage the screen.

1. Frame and Edge Trim Parts List			
Qty item	2 pcs Main Frame Parts	Qty item	2 pcs Edge Trim Parts
Part A.	vertical frame 	Part D.	
Part B.	½ horizontal frame 	Part E.	
Part C.	½ horizontal frame 	Part F.	



2. Hardware Parts List

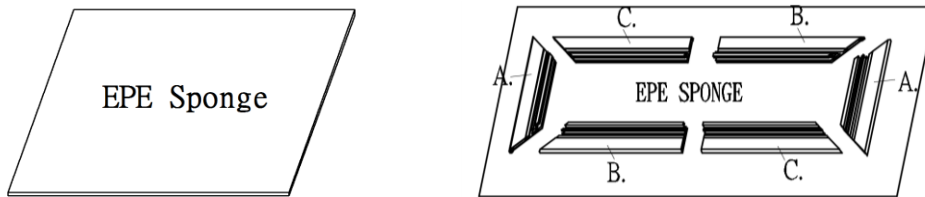
a. 	b. 	c. 	d. 
e. 	f. 	g. 	h. 
i. 	j. 	k. 	l. 
m. 	n. 	o. 	p. 
q. 	r. 		

Item	Parts List	103"	123"
a.	Center Joints- M4 (bottom position)	2	2
b.	Center Joints-D5 (top position)	2	2
c.	Elbow Joints M4 (bottom position)	4	4
d.	Elbow Joints D5 (top position)	4	4
e.	Side cover Center Joints- M4	2	2
f.	Side cover Elbow Joints M4	4	4
g.	M4x7 Screws	24	24
h.	Spring	88	104
i.	Spring Hook	2	2
j.	wall brackets	4	4
k.	Φ5x50 Wall Screws	8	8
l.	Hollow Wall anchors	8	8
m.	M4x4 Screws	24	24
n.	Angle cover	4	4
o.	Center Support Bar	1	1
p.	White gloves	2	2
q.	Spring	4	4
r.	Iron eyelet	88	104

Frame Assembly

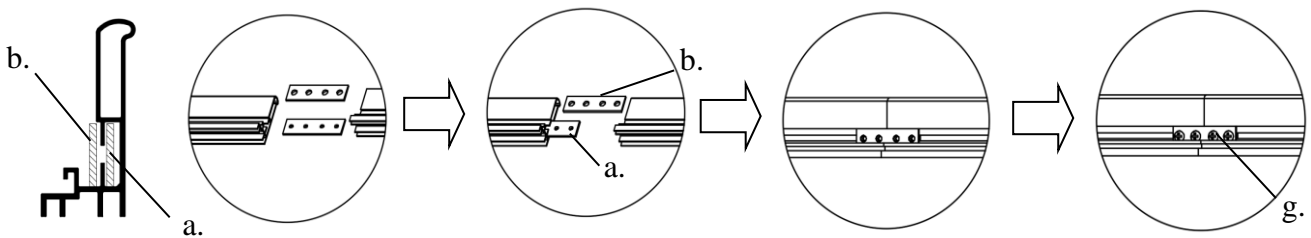
Step 1: Place the included soft padded EPE sponge sheet on a clean area where the screen will be assembled.

Step 2: Position the pieces of the frame on the EPE sponge in the arrangement shown below



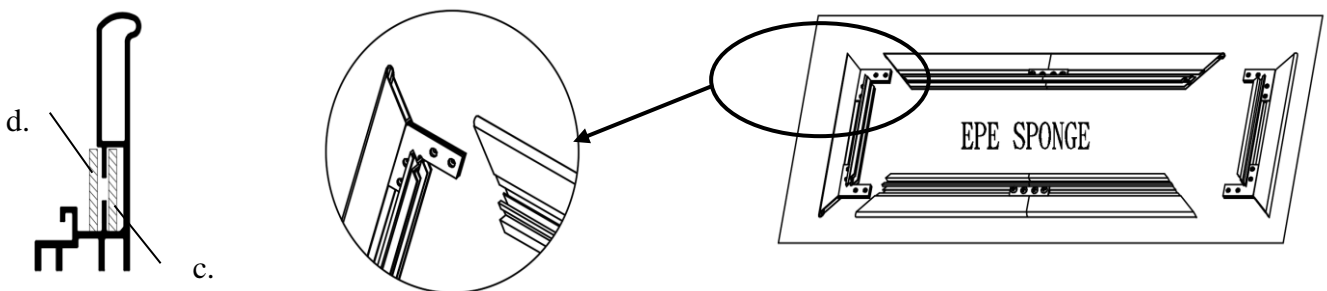
Step 3: Insert *center joint* (a/b) connectors into *one-half of the horizontal frame* (B/C) and secure with the **M4x7 screws** (M) as shown in the illustration below.

Tip: The center joint (b) with the larger diameter holes should be on top.

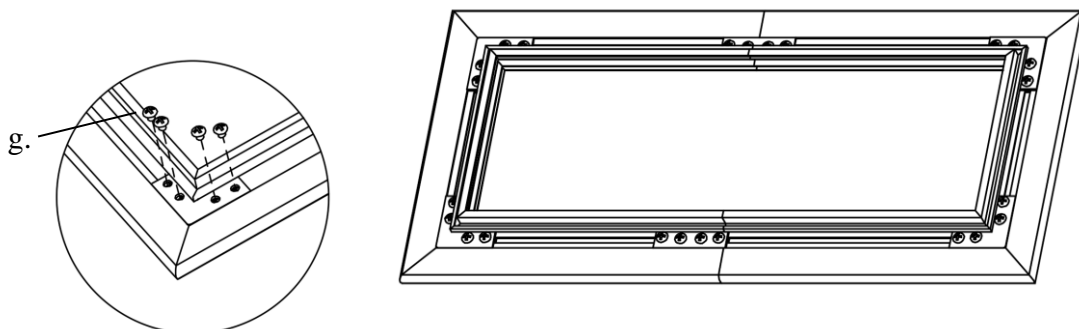


Step 4: Connect the *elbow joints* (c/d) to the top and bottom sections of the vertical frame. Once inserted, connect the vertical sections to the horizontal frame sections. Make sure all holes are in alignment and the frame pieces are flush (no gaps). They should form perfect right angles.

Tip: The elbow joint (d) with the larger diameter holes should be on top.

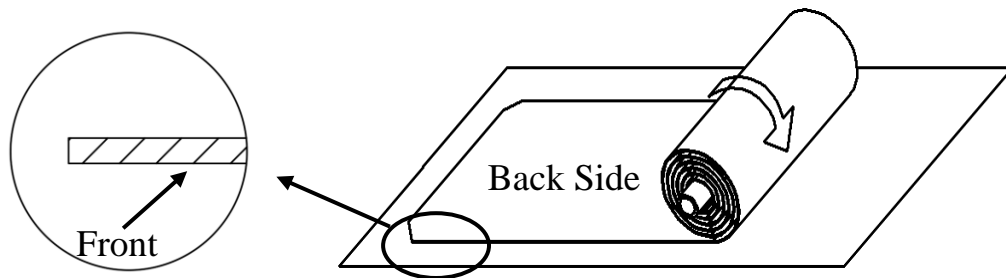


Step 5: Secure the elbow joints by fastening them with **M4x7 screws** (g), 4 at each corner.

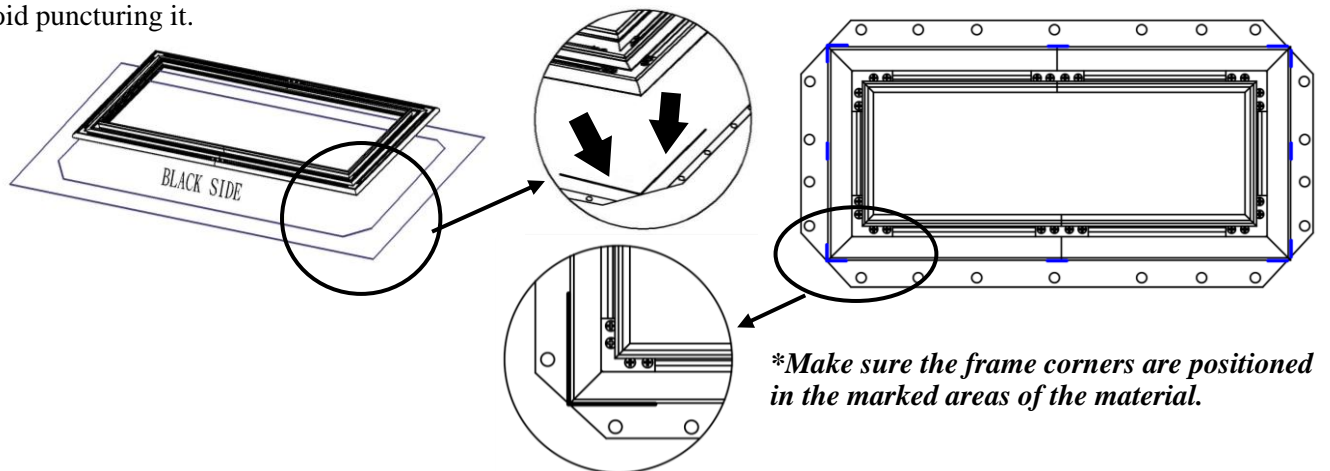


Screen Material

Step 6: Put on the *white gloves* (p) and carefully unroll the screen material on a clean surface from the roller to the other side as shown below. The back side of the screen material should be placed upwards.

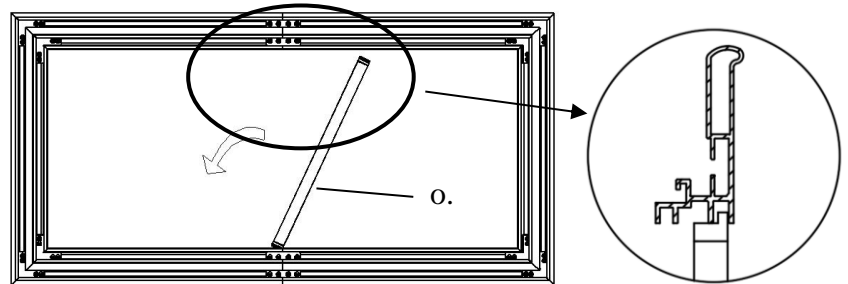


Step 7: Carefully and gently place the assembled frame on top of the screen material in the marked areas as shown below. Make sure to not allow the angle edge of the frame to come in direct contact with the screen material to avoid puncturing it.



Center Support Bar

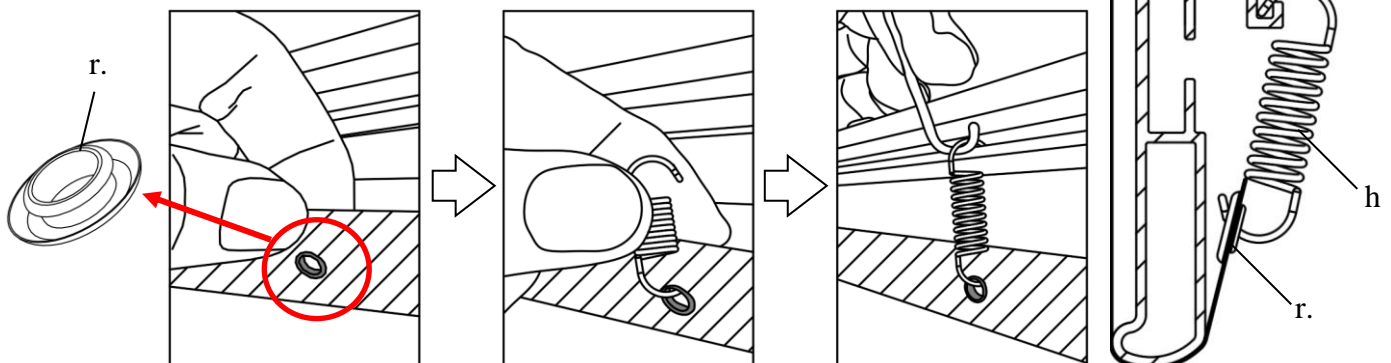
Step 8: Insert the *Center Support Bar* (o) into the upper top groove on the back of the frame with the bottom end near the approximate center point of the frame and rotate it in at an angle so that both ends of the bar are in alignment with the groove.



Step 9: 1. Insert iron eyelet through the CLR® 2 material hole from behind.

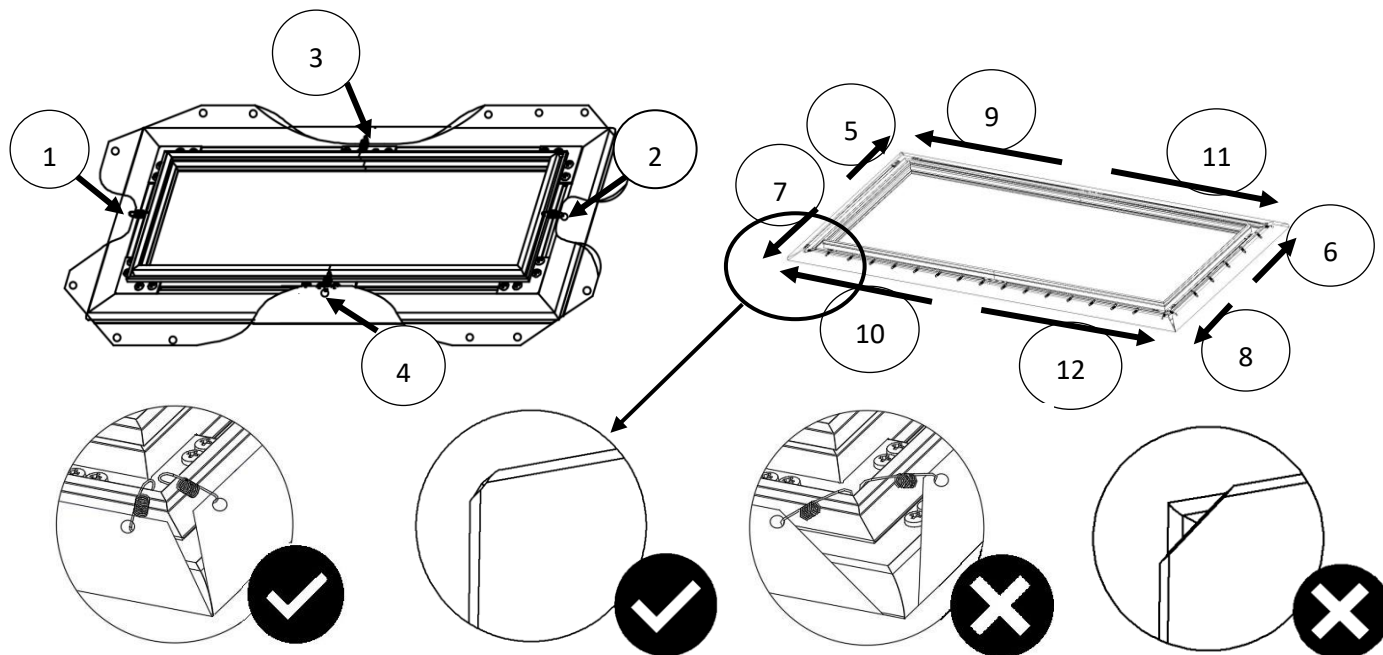
2. Attach the spring into the iron eyelet.

3. Use the spring hook tool to attach the other side of the spring on the frame.



Begin by first attaching the center points on both vertical (left/right) sides, *steps 1-2*. Then the center points on both horizontal (top/bottom) sides, *steps 3-4*. Once all center points have been secured, make sure the screen material is still within the marked areas before proceeding to attach the next springs.

Continue attaching the rest of the springs to the material in the following order in *steps 5-12*.



To avoid ripples forming in the material it is imperative that all of the corners are properly wrapped around the edges as illustrated in the check mark diagrams.

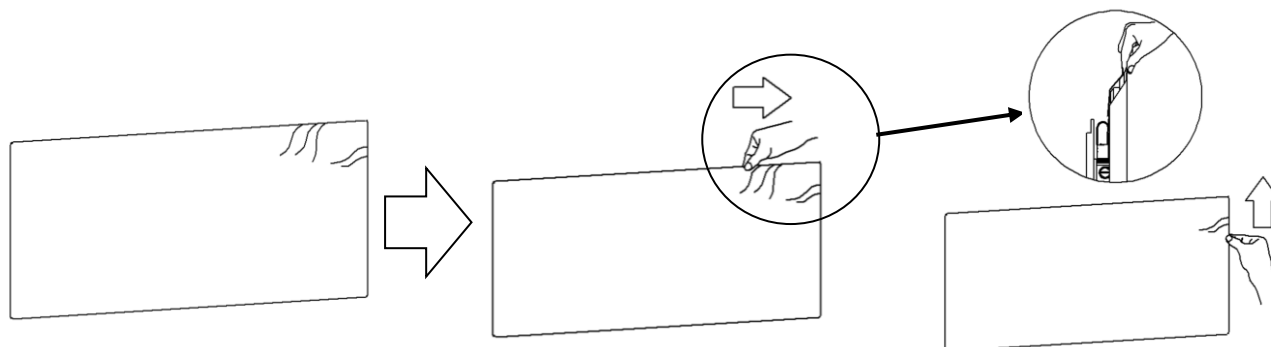
Note (after all springs have been attached):

Correct material installation –Corners of the screen material are properly wrapped around the corner edges of the frame and material is evenly tensioned and flat, creating a nicely taut surface.

Incorrect material installation –The corners of the screen material are not properly wrapped along the edge of the frame leaving the material with unbalanced tension and an uneven finish. To correct, detach springs from material at the corner(s) where material does not lie flat along the edge of the frame, reposition the material so that it lies flat and wraps along the edge of the frame, and reattach springs to the material.

How to avoid getting ripples on the screen’s material surface

Solution: **With the gloves on and assuring they are clean**, pull and smooth out the material using your hand from the center to the corners, creating a nicely taut surface as shown below.

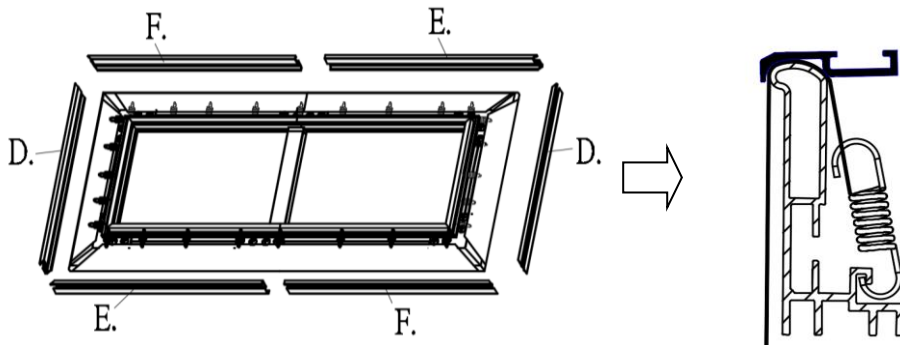


Attention: *Do not proceed with the Edge Trim installation until making sure there are no ripples in the material.*

Edge Trim Installation

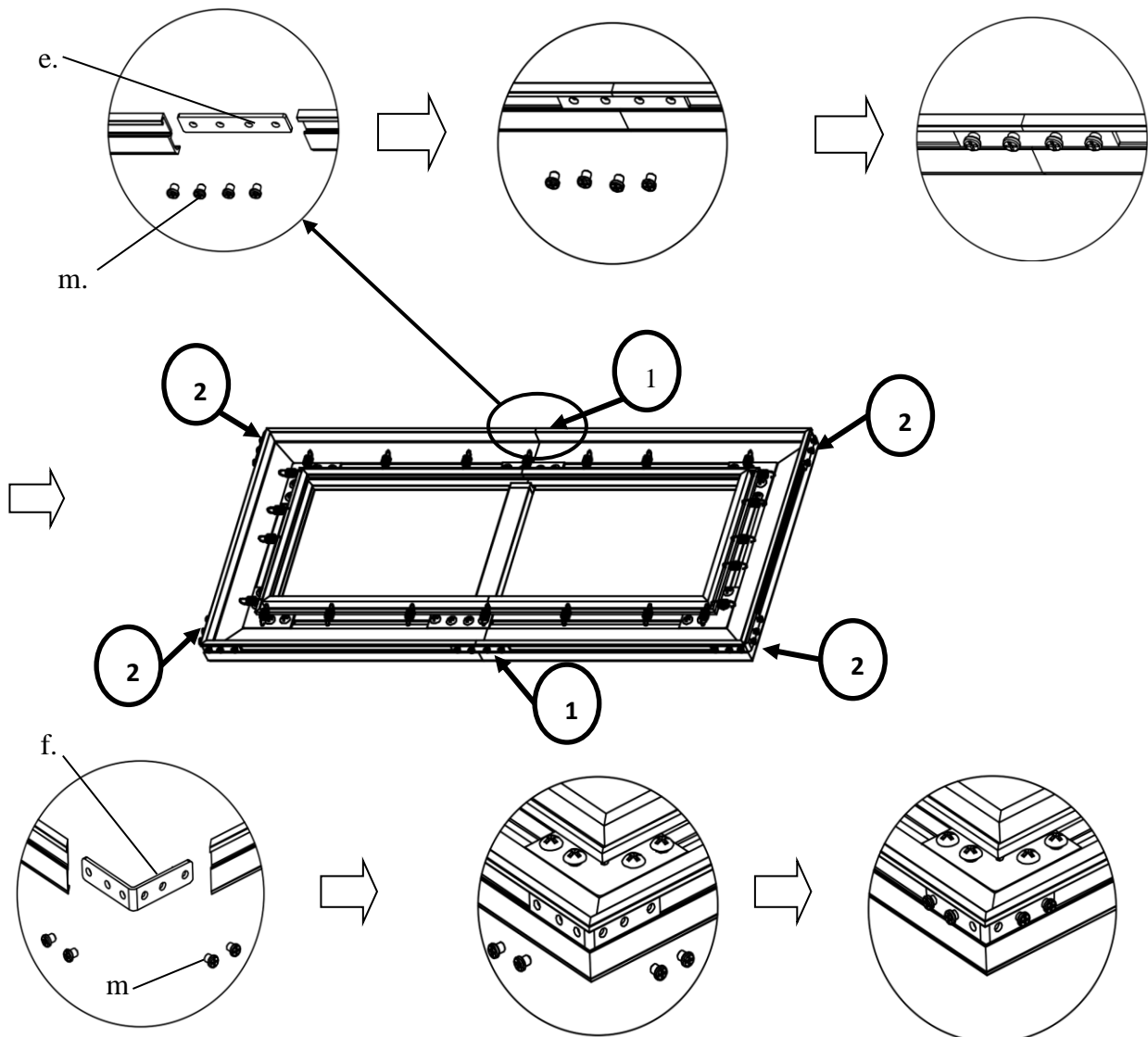
ATTENTION: The back of the material has labels indicating the TOP and BOTTOM. The top edge trim piece with the logo should be installed at the top. The material is directional and will not accurately reflect if bottom side is projected on.

Step 10: Place the edge trim frame pieces over each end of the frame.



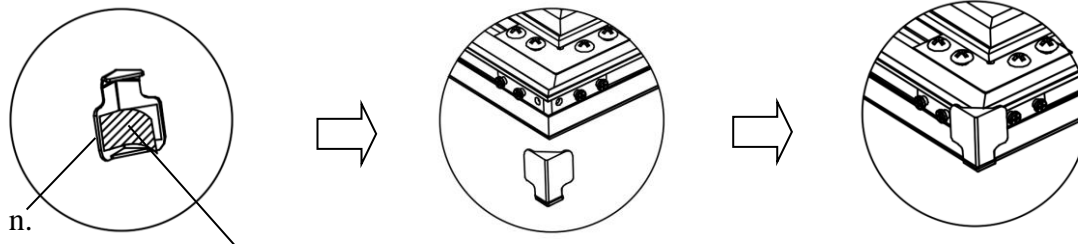
Connect edge trim frames (*e/f*) together using the **M4 center joint** (*e*) and secure with four of the **M4x4 screws** (*m*) as show in **Step 1**. Repeat for other side.

Once both top and bottom edge trim frames have been connected, attach the vertical (left/right) sides edge trim frames (*d*) using the **elbow joints** (*f*) and secure with four **M4x4 screws** (*m*) on all corners, **Step 2**.



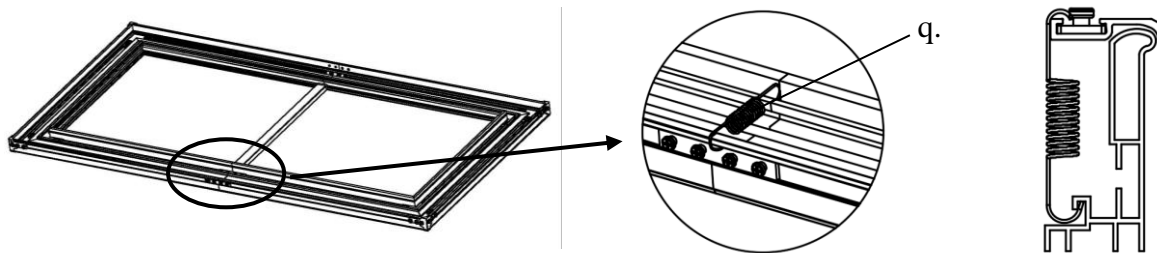
Step 11: Install the *angle cover (n)* on each corner of the frame using the *M4x4 screws (m)*.

Note: The angle cover screws holes align with the screw holes on the elbow joint.



Peel off the double-sided tape.

Step 12: Install the *springs (q)* in each middle area to further support the bezel trim edge frame.

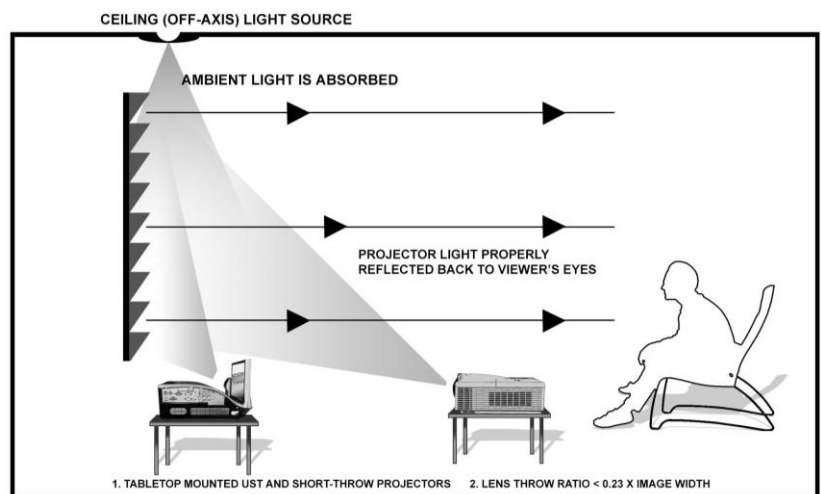


Notice to Installer:

Material Tip: Proper Projector Placement for CLR®2

CORRECT

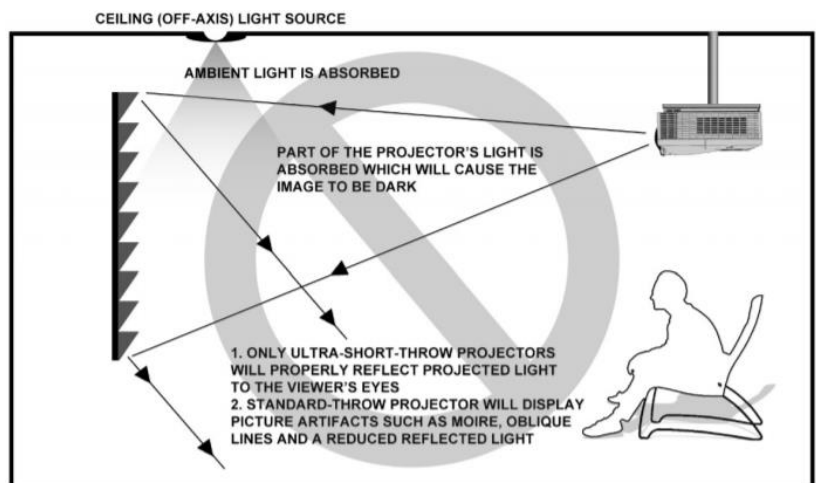
The CLR®2 is exclusively for tabletop mounted *ultra* and *short throw* projectors.



ULTRA SHORT THROW (UST) & SHORT THROW PROJECTOR ILLUSTRATION

INCORRECT

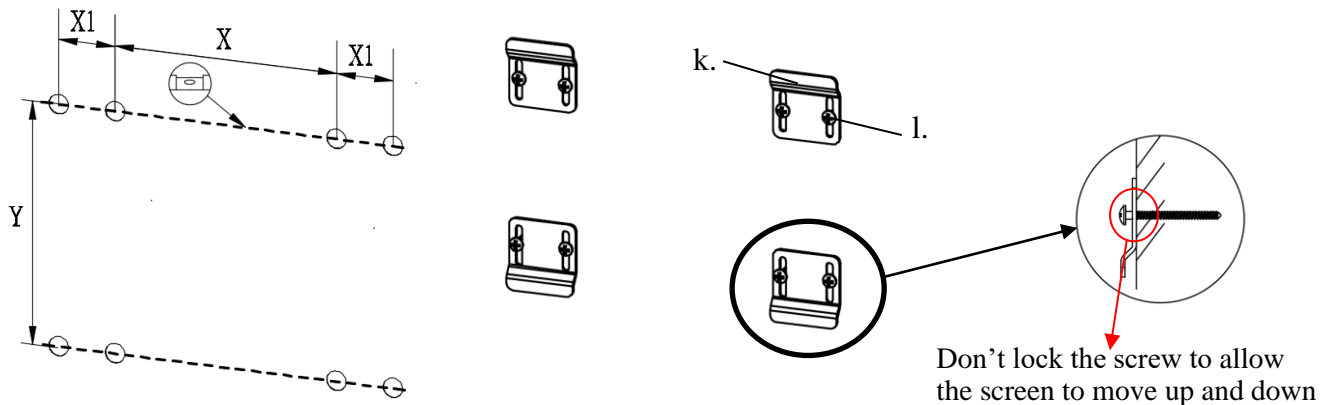
Overhead placement or a standard projector will make the image very dark, on account of the screen's absorbent layer deflecting light that is not aligned with its reflective angle.



PROJECTOR CEILING INSTALLATION (NOT COMPATIBLE)

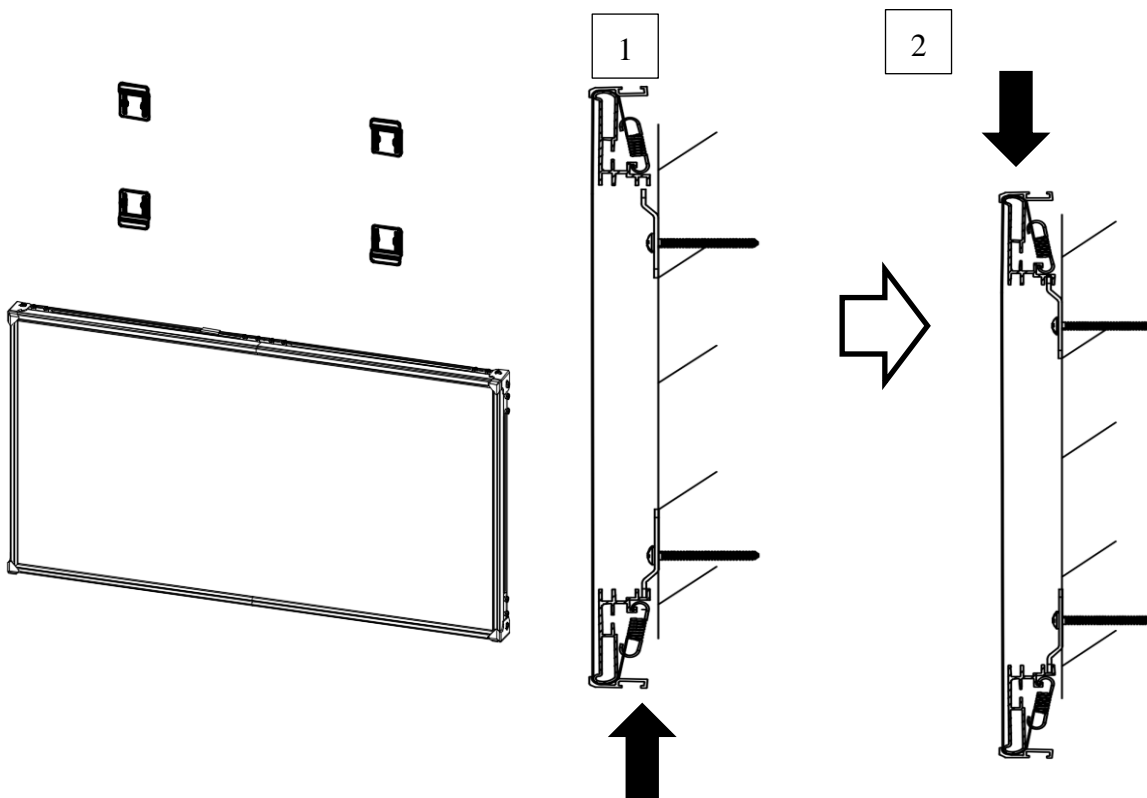
Wall Installation

Step 13: Measure the overall length and height of the frame and drill holes for the top brackets. Line up the wall brackets with the drilled holes on the installation location and screw them in using a Phillips screwdriver. If not installing into a structural wood stud, use a hollow wall anchor then screw in the M5x50 wood screws with a screwdriver. Make sure the brackets are leveled.



Model/Size	X = Wall bracket distance	X1 = Bracket hole distance	Y = Top/Bottom Wall Bracket Height
103"	1200mm (47.24")	30mm (1.18")	1100mm (43.3")
123"	1400mm (55.12")	30mm (1.18")	1360mm (53.54")

Step 14: Position the fixed frame screen onto the top wall brackets (fig 1) as shown below and push down at the center of the top of the frame (fig 2) to secure.



For Technical Support or an Akia Screens contact in your area, visit

www.akiascreens.com